



US00D879385S

(12) **United States Design Patent** (10) **Patent No.:** **US D879,385 S**
Jones et al. (45) **Date of Patent:** **** Mar. 24, 2020**

(54) **REVERSIBLE GLOVE**

(71) Applicants: **Jeronia Jones**, Adel, GA (US); **Ollie Jones**, Adel, GA (US)

(72) Inventors: **Jeronia Jones**, Adel, GA (US); **Ollie Jones**, Adel, GA (US)

(**) Term: **15 Years**

(21) Appl. No.: **29/697,062**

(22) Filed: **Jul. 3, 2019**

(51) **LOC (12) Cl.** **02-06**

(52) **U.S. Cl.**
USPC **D29/117.1**

(58) **Field of Classification Search**
USPC D29/113, 114, 116.2, 117.1, 117.2, 118,
D29/119, 123
CPC A41D 19/01529
See application file for complete search history.

(56) **References Cited**

U.S. PATENT DOCUMENTS

1,786,227	A *	12/1930	Bruggeman	A41D 19/01 2/159
D651,358	S *	12/2011	Bulan	D29/117.1
D737,525	S *	8/2015	Piotrowski	D29/117.1
D741,551	S *	10/2015	Piotrowski	D29/117.1
D802,221	S *	11/2017	Piotrowski	D29/117.1
D804,103	S *	11/2017	Wong	D29/117.1
D806,321	S *	12/2017	Lim	D29/117.1
D824,598	S *	7/2018	Wong	D29/117.1
2018/0125129	A1 *	5/2018	Weitzmann	A41D 19/0048
2018/0352881	A1 *	12/2018	Kimbrough	A41D 19/01529

OTHER PUBLICATIONS

Fire Grip 2.0 gloves, posted at viking-life.conn, posting date not given, [online], [site visited Aug. 23, 2019]. Available from Internet, URL: <https://www.viking-life.com/en/others/accessories/5079-10666xx-fire-grip-20-gloves-10666xx-dupont-kevlar/mineral-fibre-protex-m/fireblocker-blue-different-sizes> (Year: 2019).*
SnowForce Extreme Cold Winter Claw Mitt, posted at .com, posting date not given, [online], [site visited Aug. 23, 2019]. Available from Internet, URL: <https://www.superiorglove.com/en/snowforce-extreme-cold-3-finger-winter-mitt-with-premium-cowgrain-palm> (Year: 2019).*

* cited by examiner

Primary Examiner — George D. Kirschbaum

Assistant Examiner — Maria J Edwards

(74) *Attorney, Agent, or Firm* — RC Trademark Company

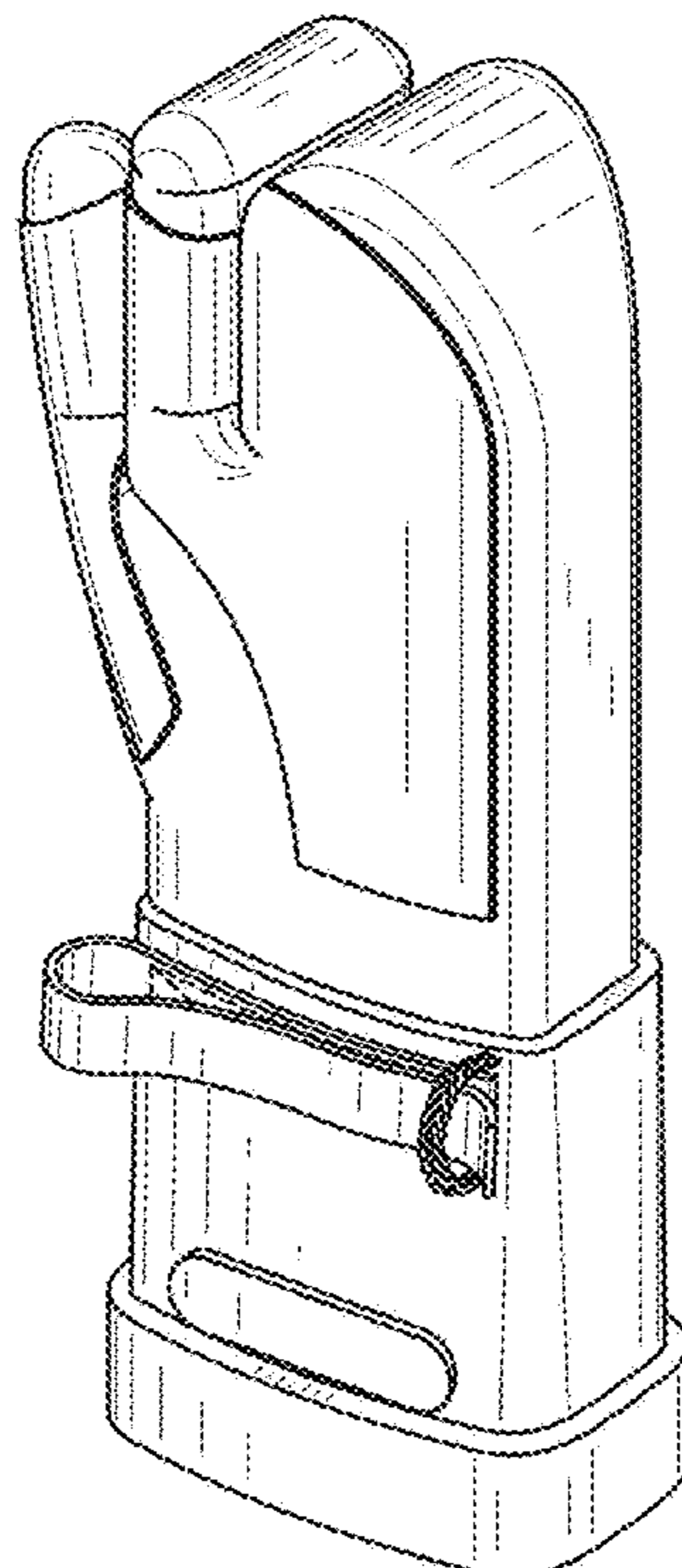
(57) **CLAIM**

The ornamental design for a reversible glove, as shown and described.

DESCRIPTION

FIG. 1 is a perspective view of a reversible glove showing our new design;
FIG. 2 is a front view of the reversible glove of FIG. 1;
FIG. 3 is a rear view of the reversible glove of FIG. 1;
FIG. 4 is a left side view of the reversible glove of FIG. 1;
FIG. 5 is a right side view of the reversible glove of FIG. 1;
FIG. 6 is a top view of the reversible glove of FIG. 1; and,
FIG. 7 is a bottom view of the reversible glove of FIG. 1.
The broken lines in the drawings depict portions of the reversible glove and form no part of the claimed design.

1 Claim, 6 Drawing Sheets



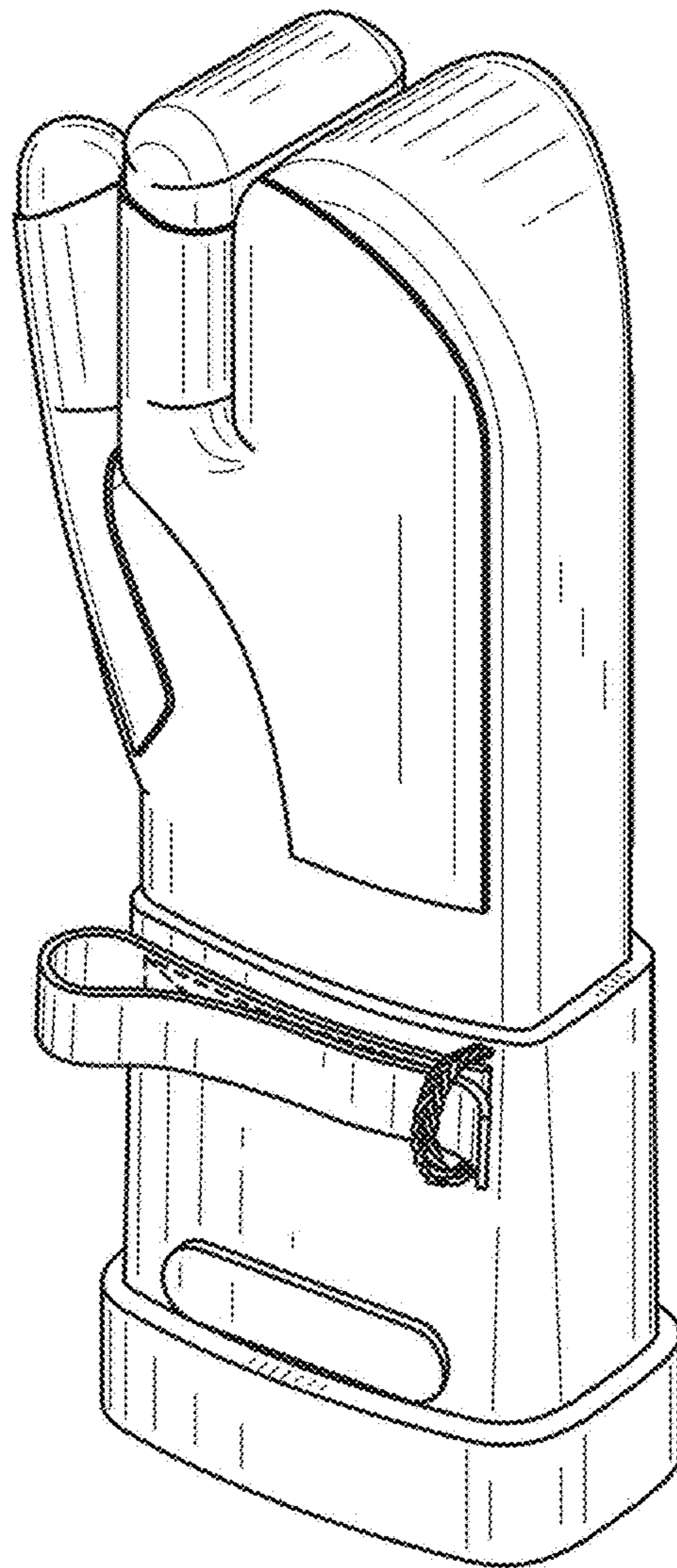


FIG. 1

FIG. 2

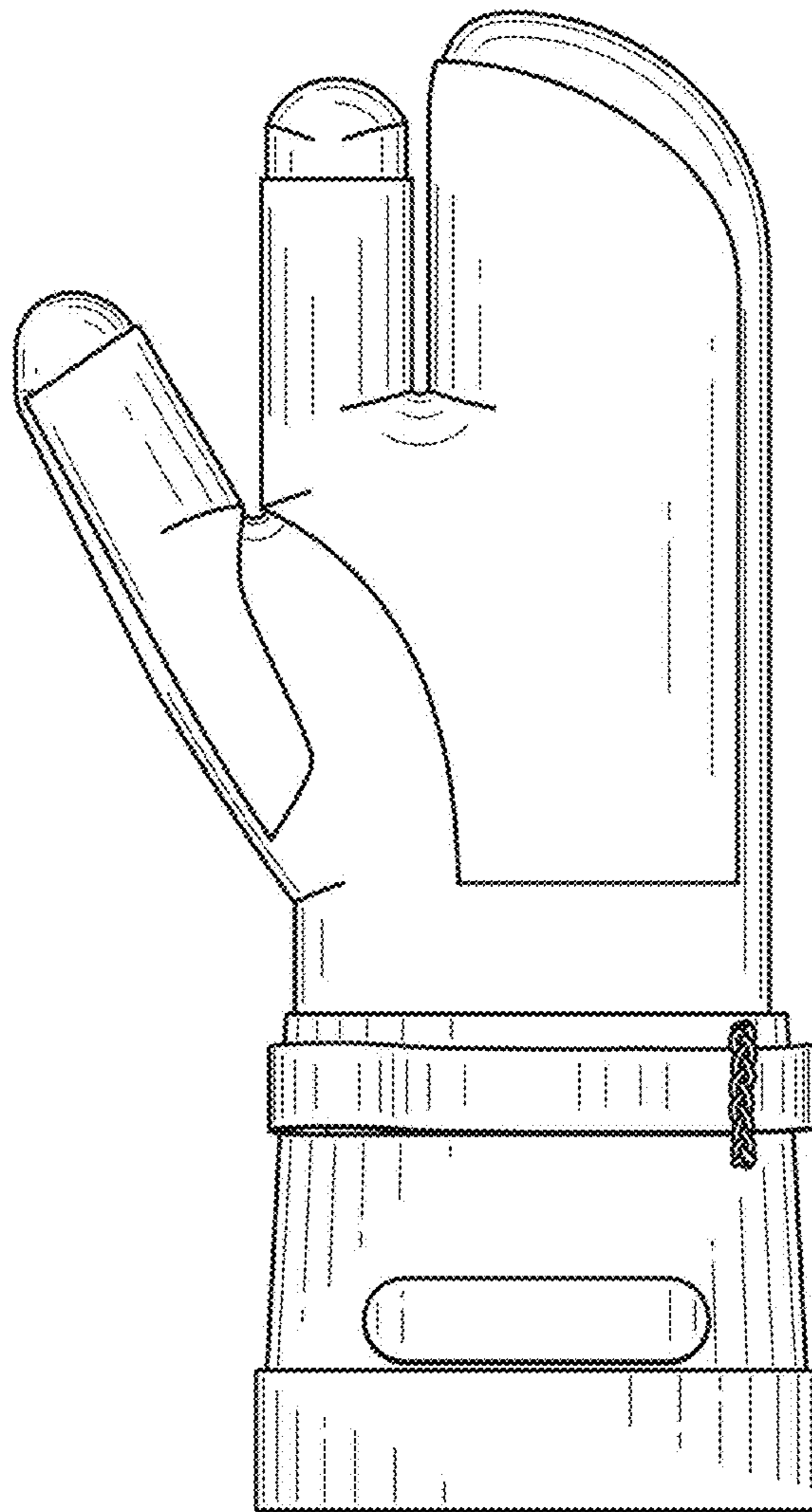


FIG. 3

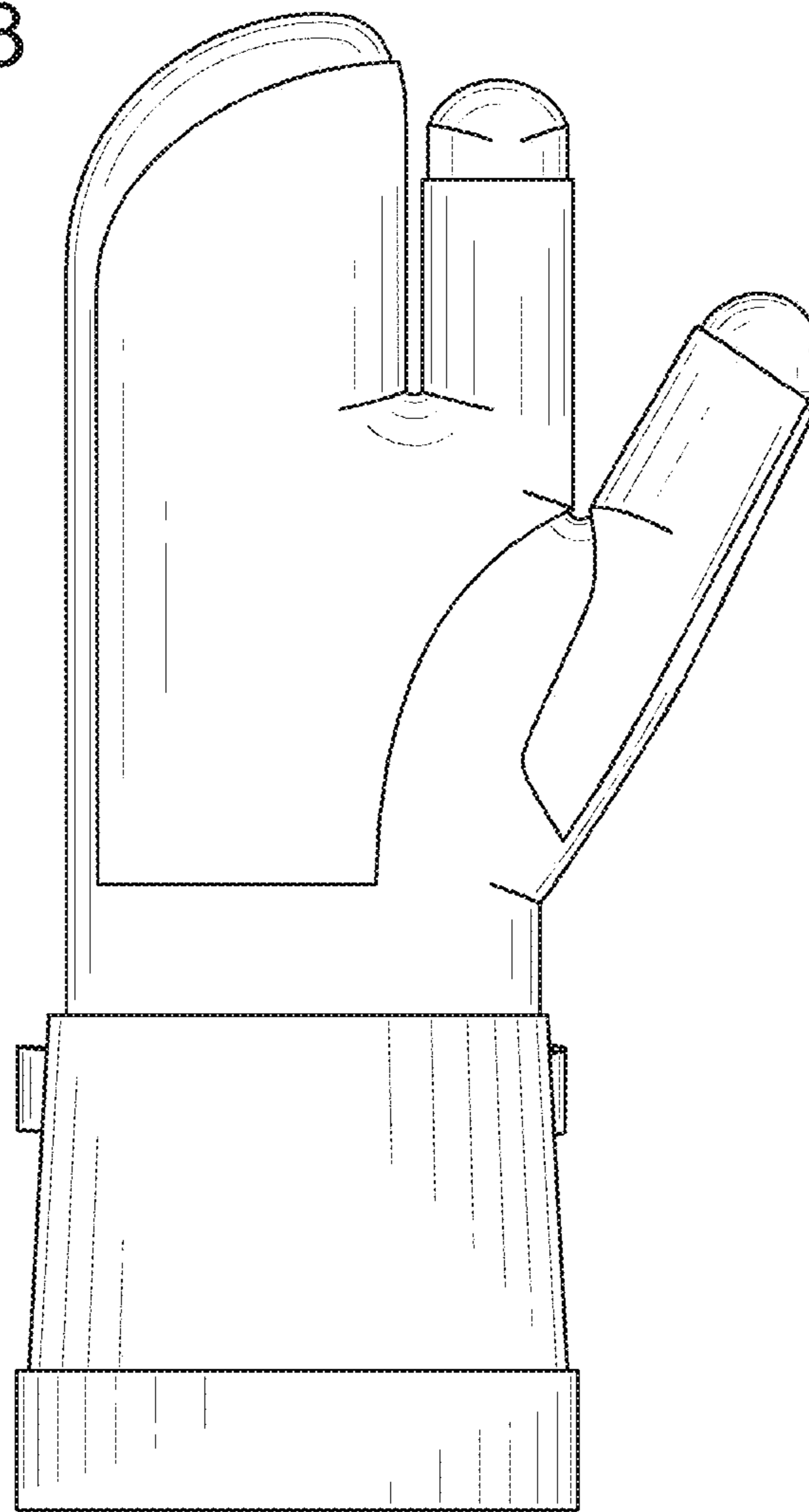
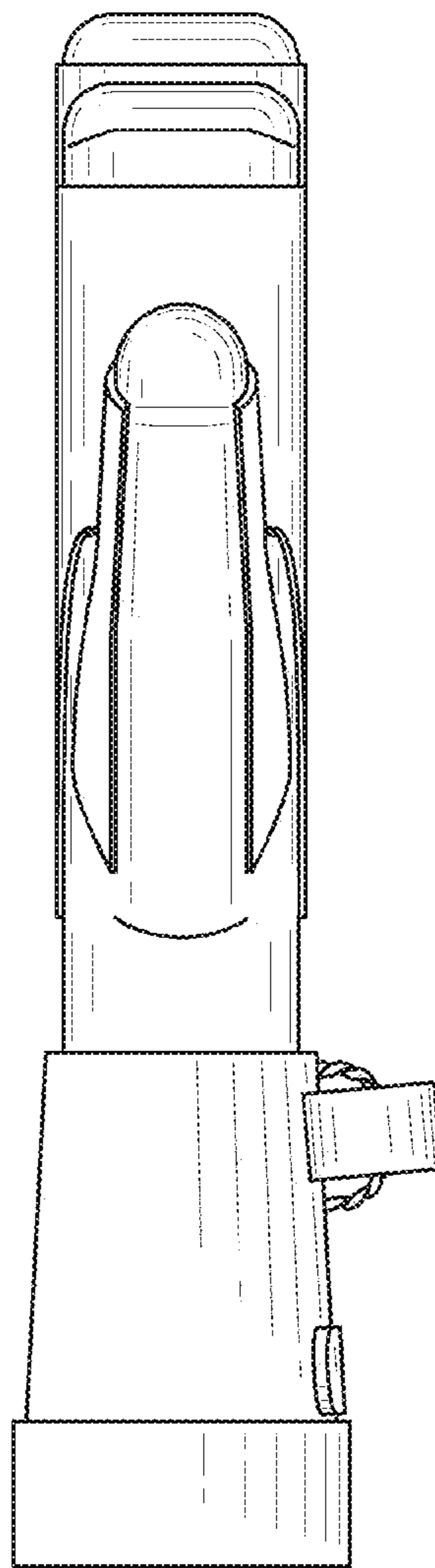


FIG. 4



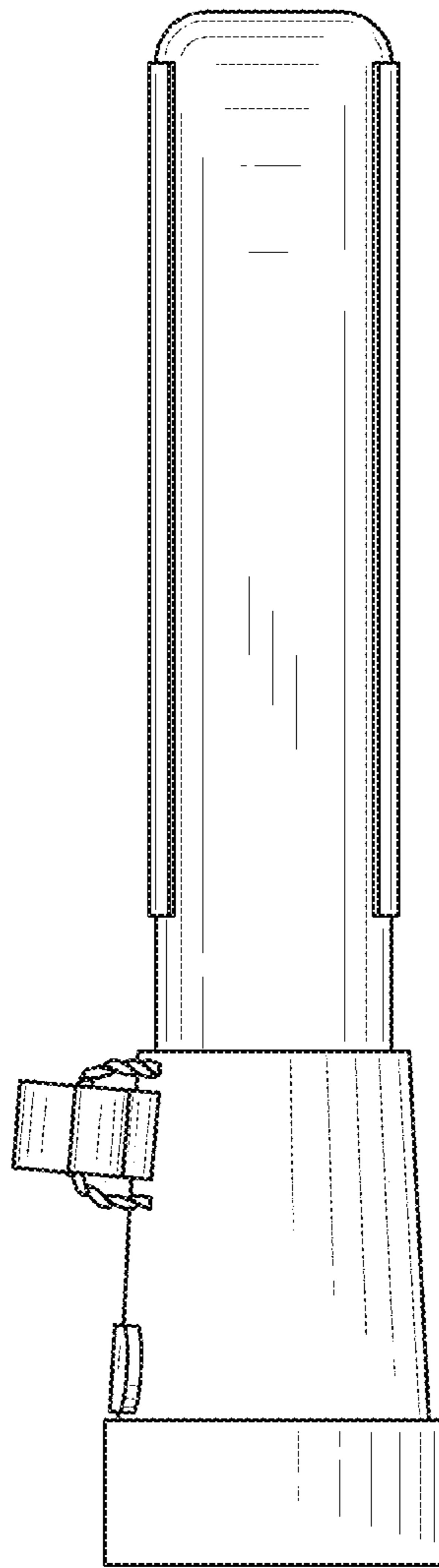


FIG. 5

FIG. 6

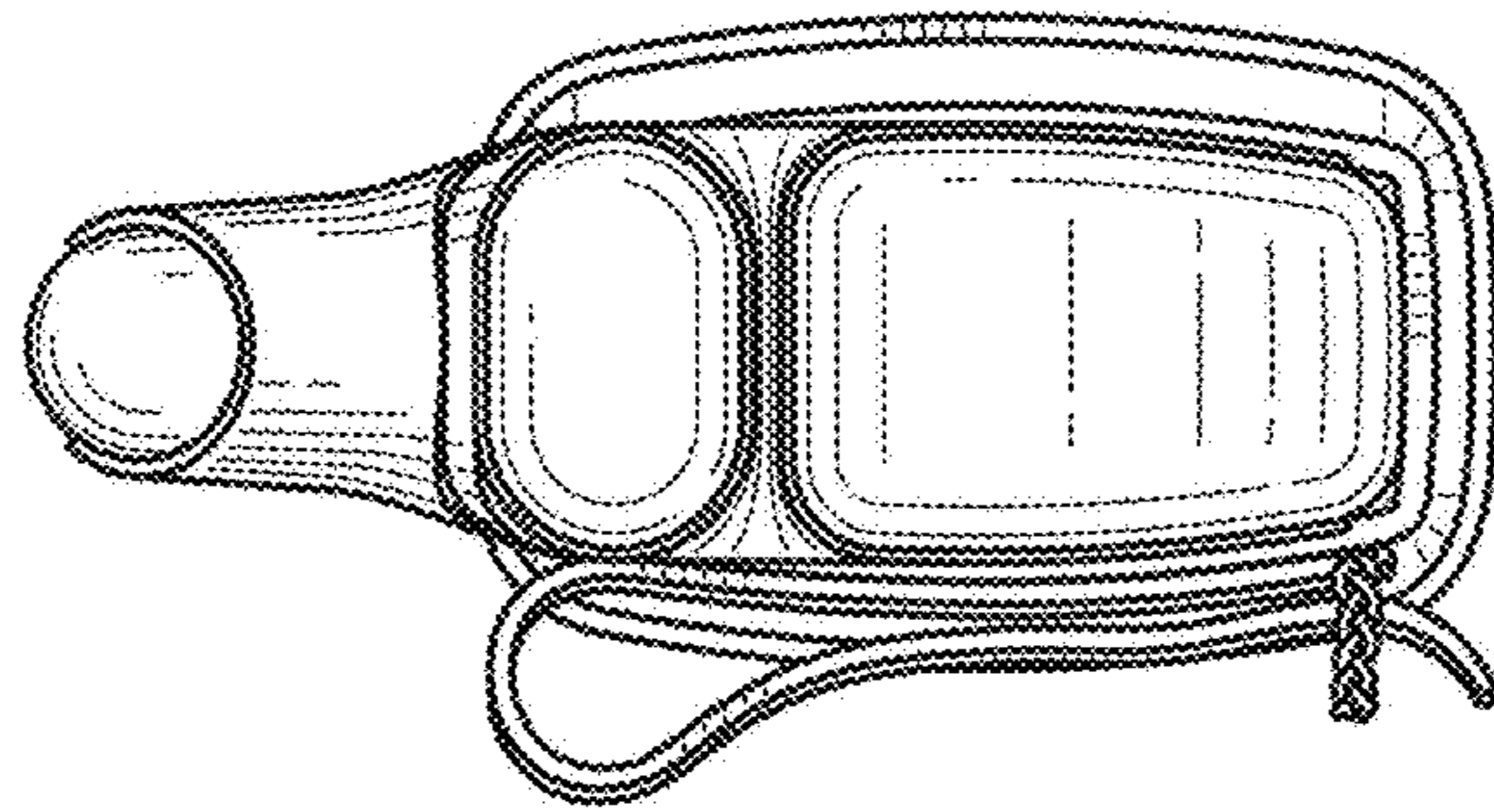


FIG. 7

