



US00D879383S

(12) **United States Design Patent**  
**Bowen**

(10) **Patent No.:** **US D879,383 S**

(45) **Date of Patent:** **\*\* Mar. 24, 2020**

(54) **FACE SHIELD**

(71) Applicant: **Michael L Bowen**, North Richland Hills, TX (US)

(72) Inventor: **Michael L Bowen**, North Richland Hills, TX (US)

(73) Assignee: **Prestige Ameritech, Ltd.**, North Richland Hills, TX (US)

(\*\*) Term: **15 Years**

(21) Appl. No.: **29/663,807**

(22) Filed: **Sep. 19, 2018**

(51) **LOC (12) Cl.** ..... **29-02**

(52) **U.S. Cl.**  
USPC ..... **D29/110**

(58) **Field of Classification Search**  
USPC ..... D29/105-107, 110, 122;  
D24/110.1-110.3

See application file for complete search history.

(56) **References Cited**

**U.S. PATENT DOCUMENTS**

2,798,222	A *	7/1957	Evans	.....	A42B 3/225
					2/9
D287,300	S *	12/1986	Lonnstedt	.....	D29/110
D349,362	S *	8/1994	Russell	.....	D29/110
D354,588	S *	1/1995	Russell	.....	D29/110
D374,951	S *	10/1996	Machson	.....	D29/110
D458,713	S *	6/2002	Cheng	.....	D29/110
D526,446	S *	8/2006	Cowan	.....	D29/109
D732,242	S *	6/2015	Miller	.....	D29/110

9,532,617	B2 *	1/2017	Miller	.....	A41D 13/1184
D853,656	S *	7/2019	Martin	.....	D29/110
2012/0047614	A1 *	3/2012	Choi	.....	A41D 13/1161
					2/9

\* cited by examiner

*Primary Examiner* — Robert A Delehanty

(74) *Attorney, Agent, or Firm* — Betsy Kingsbury Dowd; BKDowd Law, P.C.

(57) **CLAIM**

The ornamental design for a face shield, as depicted and described.

**DESCRIPTION**

FIG. 1 is a front, right perspective view of a face shield depicting our new design;

FIG. 2 is a front view of the face shield depicted in FIG. 1;

FIG. 3 is a back view of the face shield depicted in FIG. 1;

FIG. 4 is a left end view of the face shield depicted in FIG. 1;

FIG. 5 is a right end view of the face shield depicted in FIG. 1;

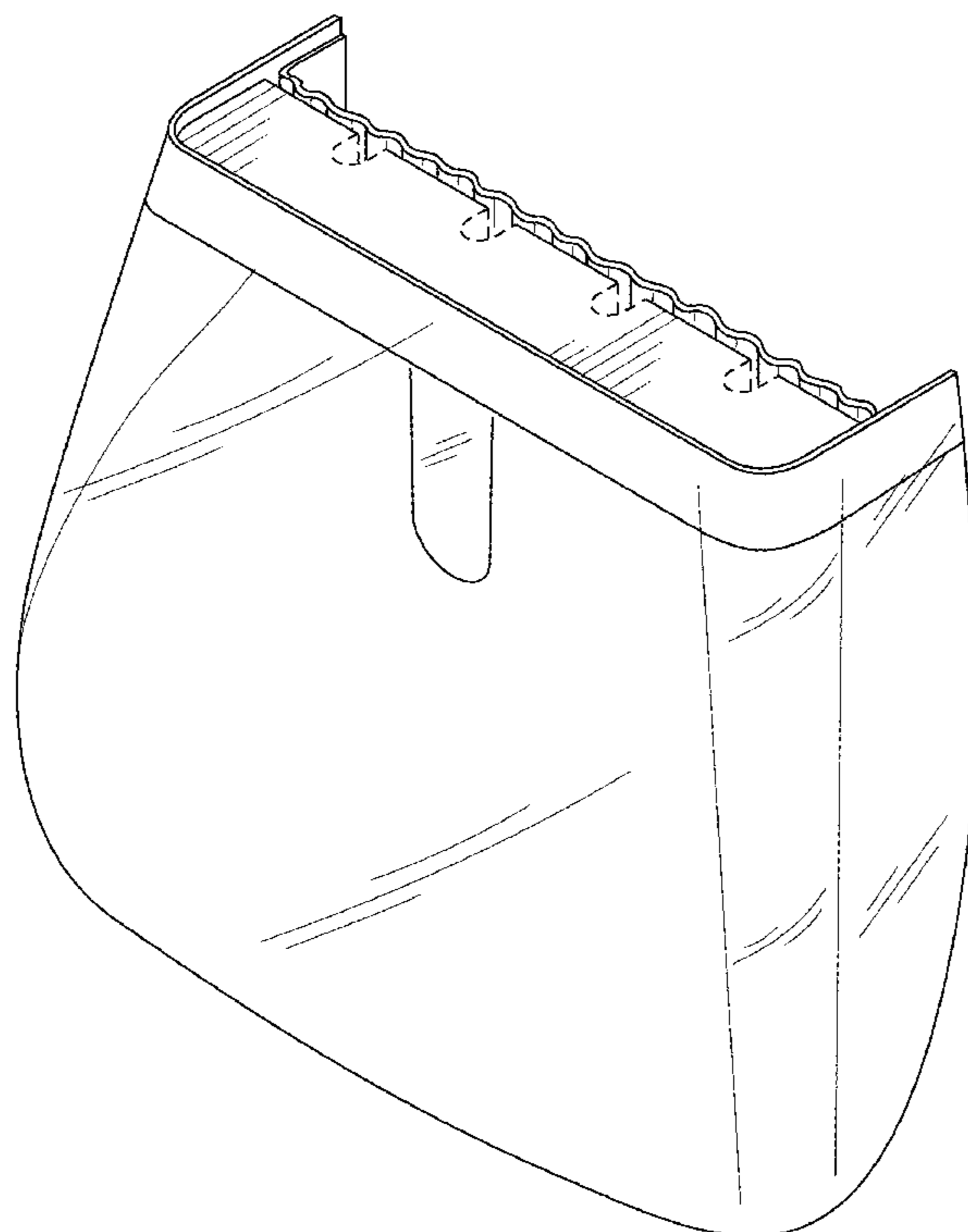
FIG. 6 is a top view of the face shield depicted in FIG. 1;

FIG. 7 is a bottom view of the face shield depicted in FIG. 1; and,

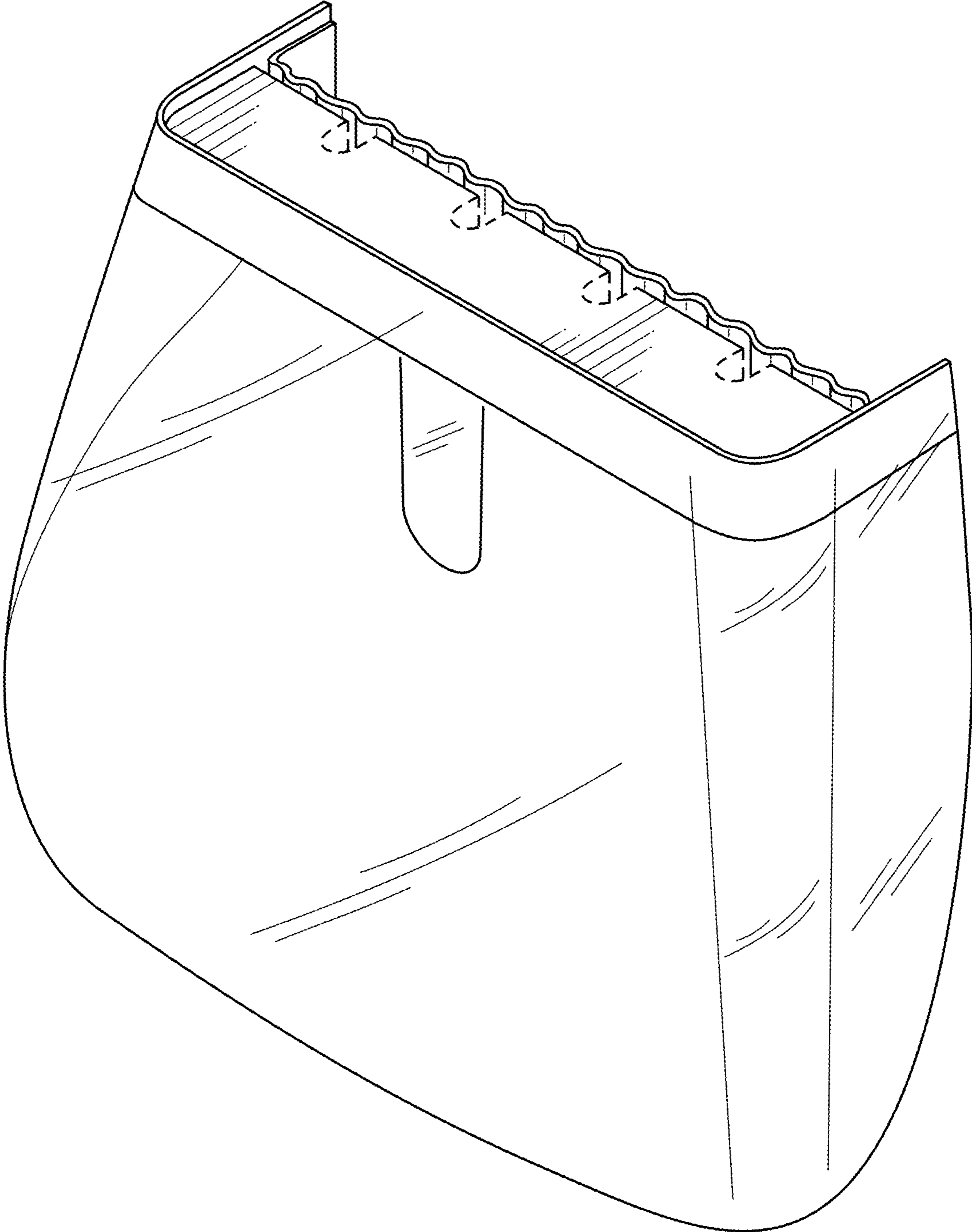
FIG. 8 is a front right perspective view of the face shield depicted in FIG. 1 as worn by a user.

The broken line in FIGS. 1, 6, 7, 8, showing of the flex grooves in the headband and the broken line in FIG. 8 showing of the human head and of a magnifying instrument with a light depict the environment of the face shield and form no part of the claimed design.

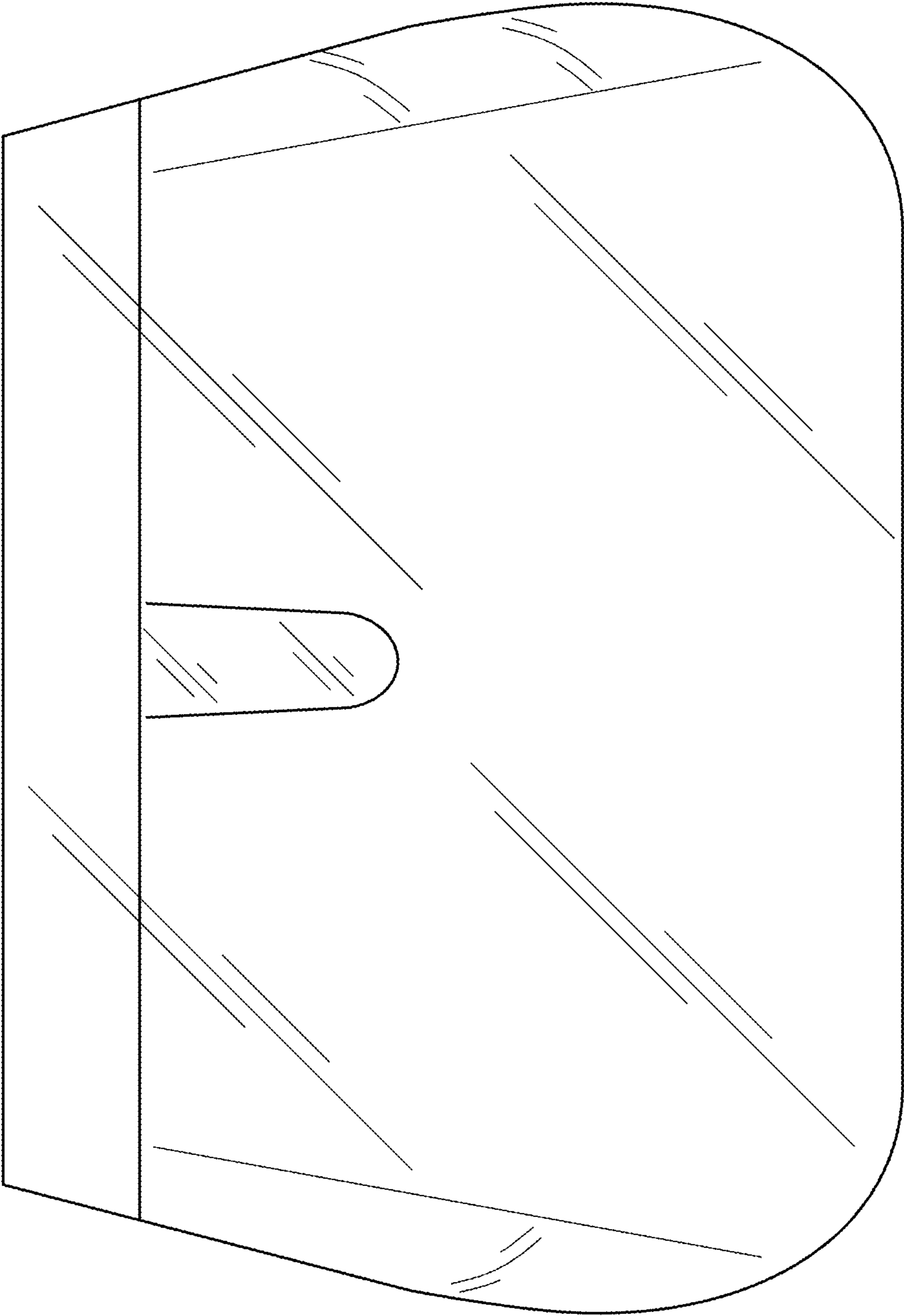
**1 Claim, 6 Drawing Sheets**



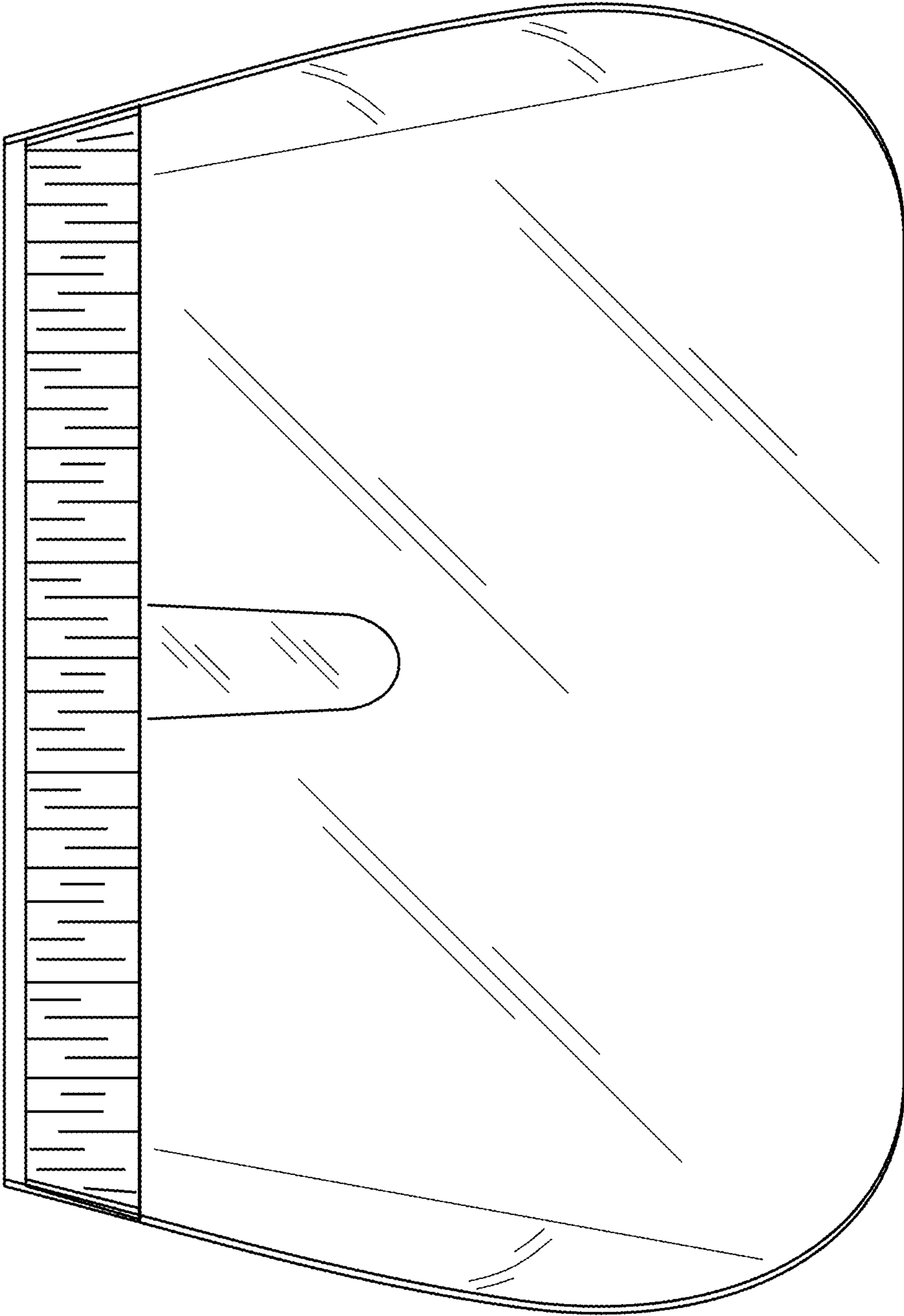
**FIG. 1**



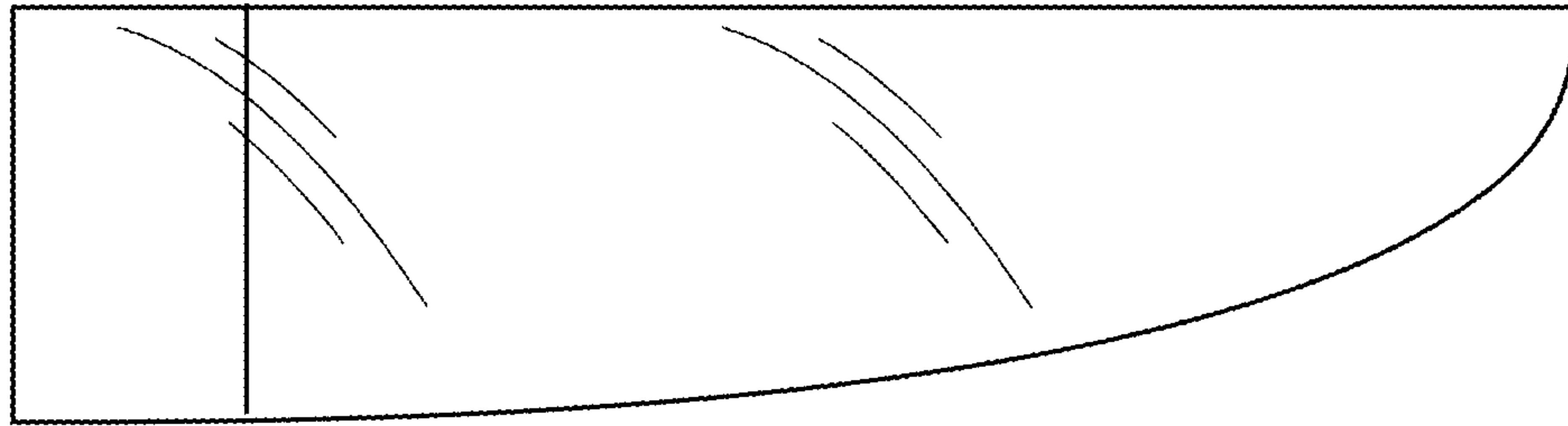
**FIG. 2**



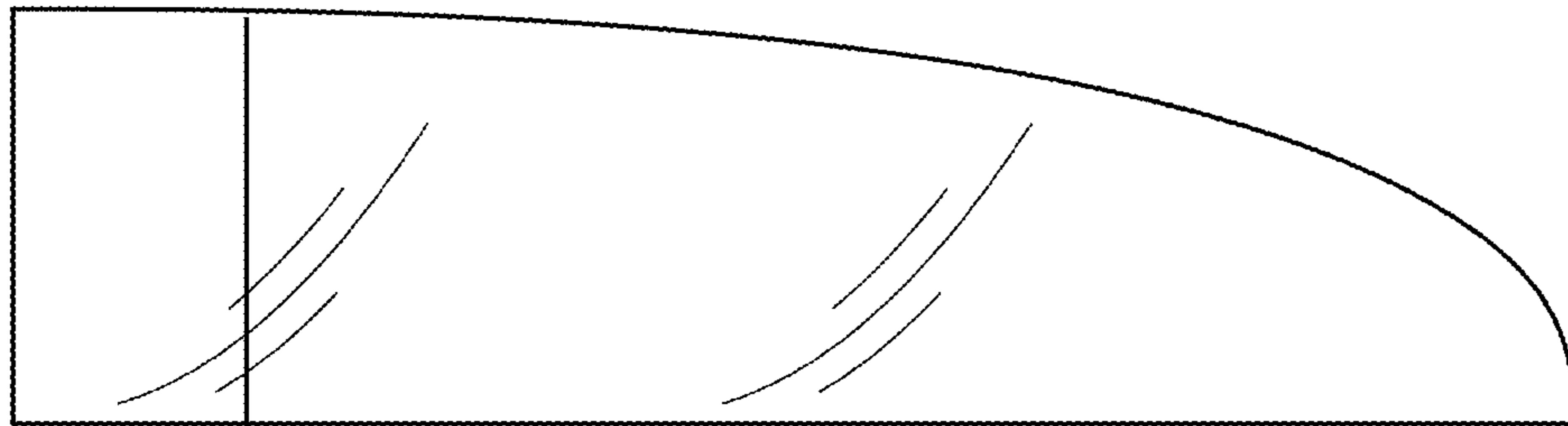
**FIG. 3**



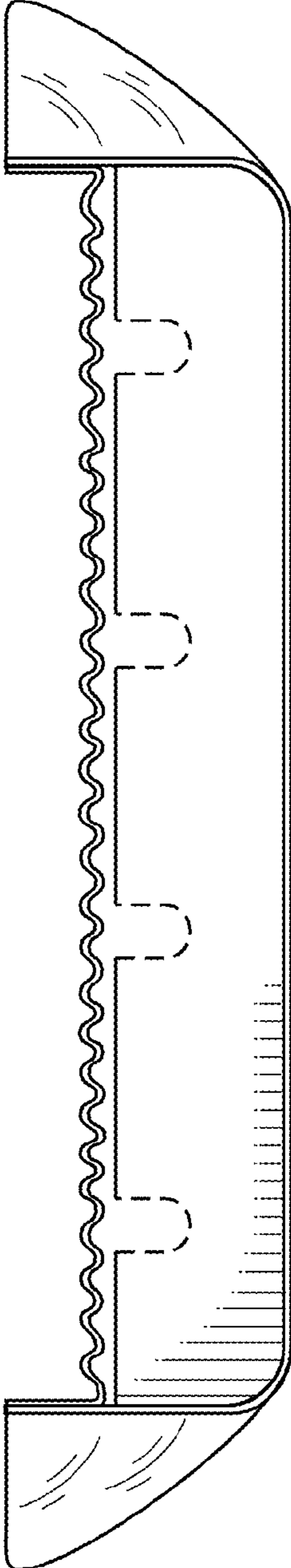
**FIG. 5**



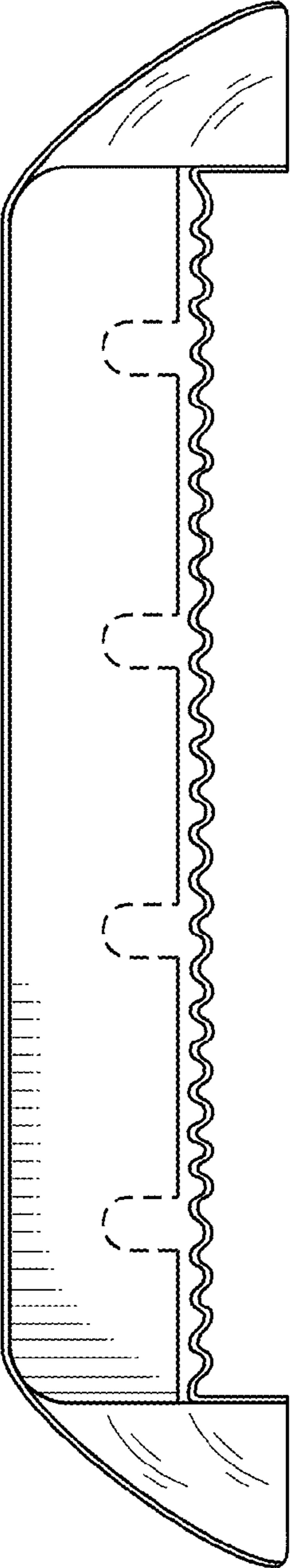
**FIG. 4**



**FIG. 6**



**FIG. 7**



**FIG. 8**

