



US00D879382S

(12) **United States Design Patent**
Ning

(10) **Patent No.:** **US D879,382 S**

(45) **Date of Patent:** **** Mar. 24, 2020**

(54) **WIG GRIP**

(71) Applicant: **Zhengzhou Kerui Electronic Commerce Co., Ltd., Zhengzhou (CN)**

(72) Inventor: **Like Ning, Xuchang (CN)**

(**) Term: **15 Years**

(21) Appl. No.: **29/711,414**

(22) Filed: **Oct. 31, 2019**

(51) **LOC (12) Cl.** **28-04**

(52) **U.S. Cl.**
USPC **D28/93**

(58) **Field of Classification Search**
USPC D28/21–34, 39–43, 92, 93; D2/871–875;
D24/191
CPC ... A45D 8/00; A45D 8/34; A41G 3/00; A41G
3/0008; A41G 3/0016; A41G 3/0041;
A41G 3/0058; A41G 3/0091
See application file for complete search history.

(56) **References Cited**

U.S. PATENT DOCUMENTS

- 5,806,535 A * 9/1998 Becker A41G 3/0016
132/53
- D693,061 S 11/2013 Price
- D713,534 S * 9/2014 Manley, Jr. D24/189
- D742,594 S * 11/2015 Kleinman D28/92

- D743,104 S * 11/2015 Kleinman D28/92
- D779,120 S * 2/2017 Cull D28/41
- D841,253 S * 2/2019 Poellnitz D28/92
- D873,493 S * 1/2020 Geisinsky A41G 3/0016
D28/93

* cited by examiner

Primary Examiner — Zenia I Bennett

(74) *Attorney, Agent, or Firm* — Jie Yang; ZANIP

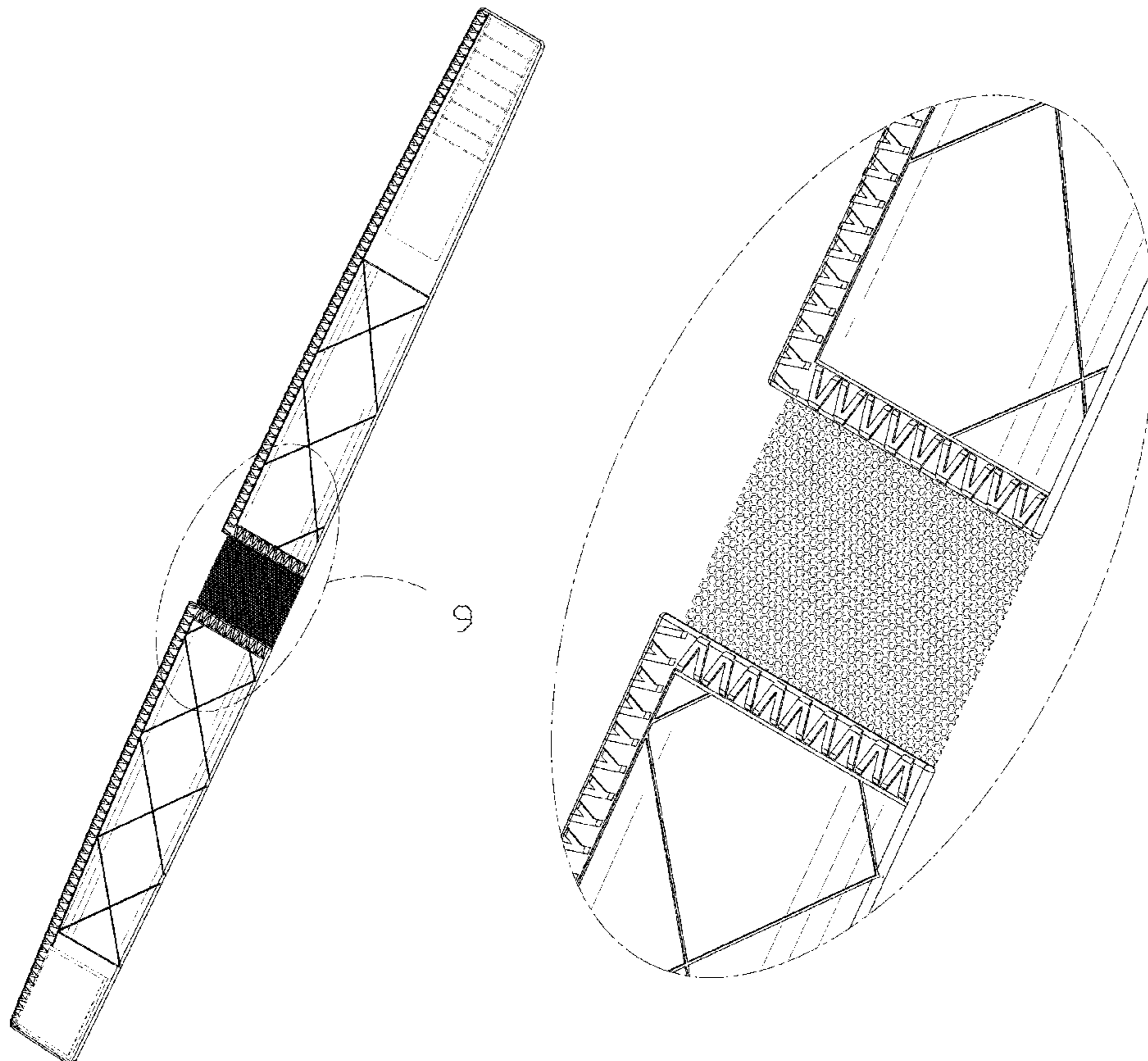
(57) **CLAIM**

The ornamental design for a wig grip, as shown and described.

DESCRIPTION

FIG. 1 is a front perspective view of a wig grip, showing my new design;
 FIG. 2 is a rear perspective view thereof;
 FIG. 3 is a front elevational view thereof;
 FIG. 4 is a rear elevational view thereof;
 FIG. 5 is a left side elevational view thereof;
 FIG. 6 is a right side elevational view thereof;
 FIG. 7 is a top plan view thereof;
 FIG. 8 is a bottom plan view thereof;
 FIG. 9 is an enlarged view of a portion indicated in FIG. 1; and,
 FIG. 10 is an enlarged view of a portion indicated in FIG. 2.
 The broken lines in the figures illustrate portions of the wig grip that form no part of the claimed design.

1 Claim, 10 Drawing Sheets



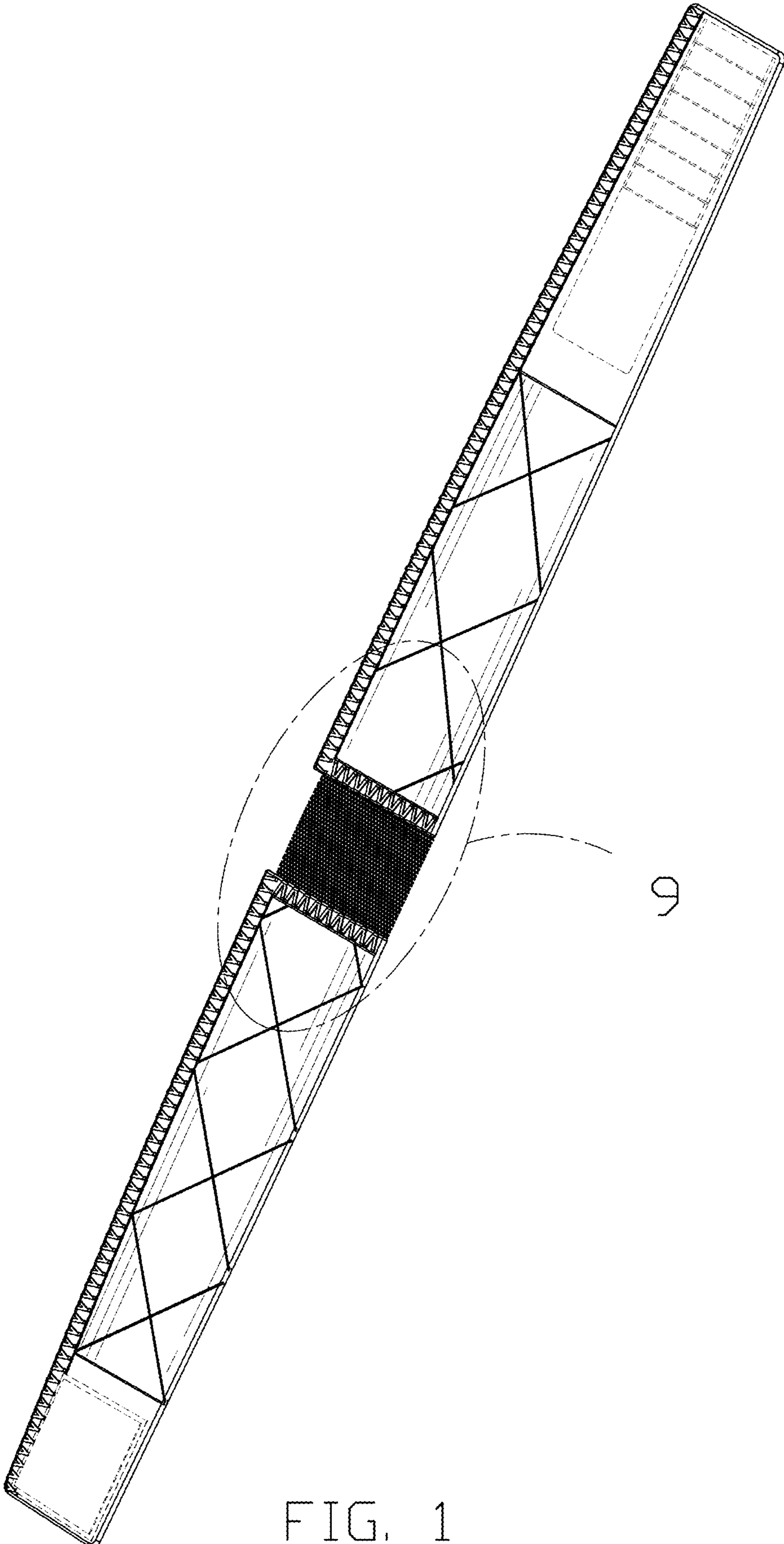


FIG. 1

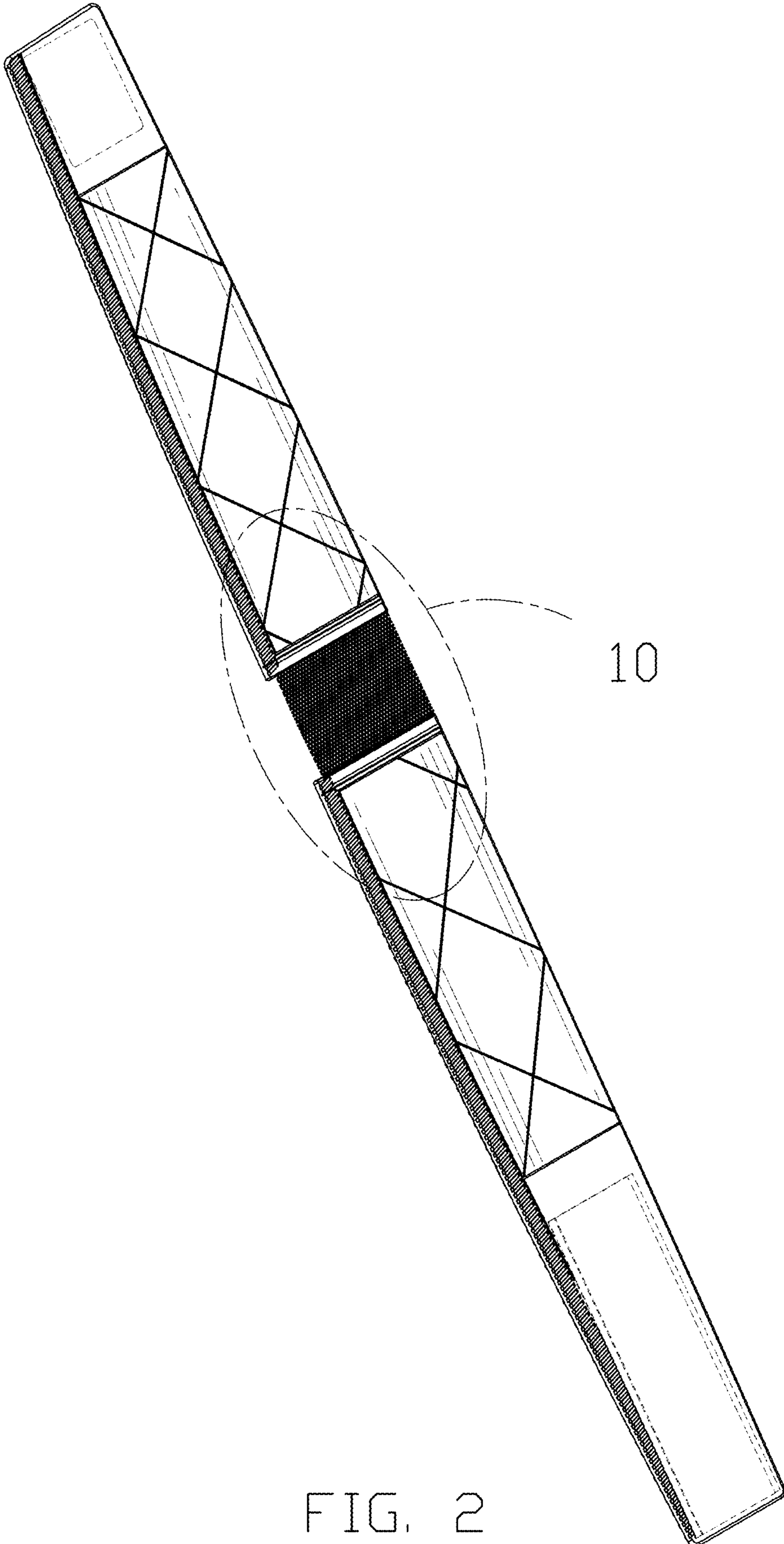


FIG. 2

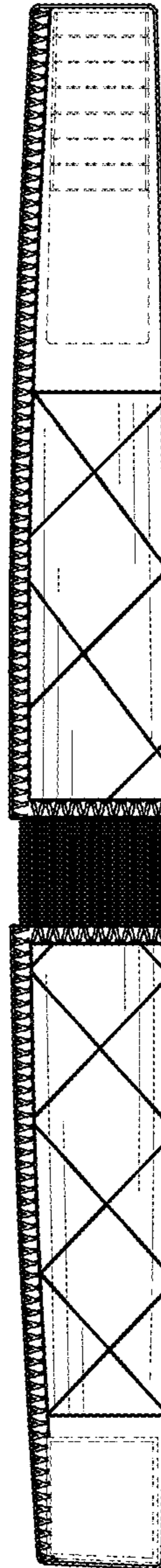


FIG. 3

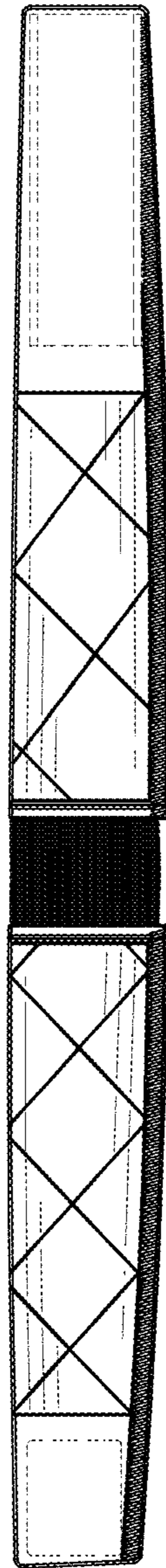


FIG. 4



FIG. 5



FIG. 6



FIG. 7



FIG. 8

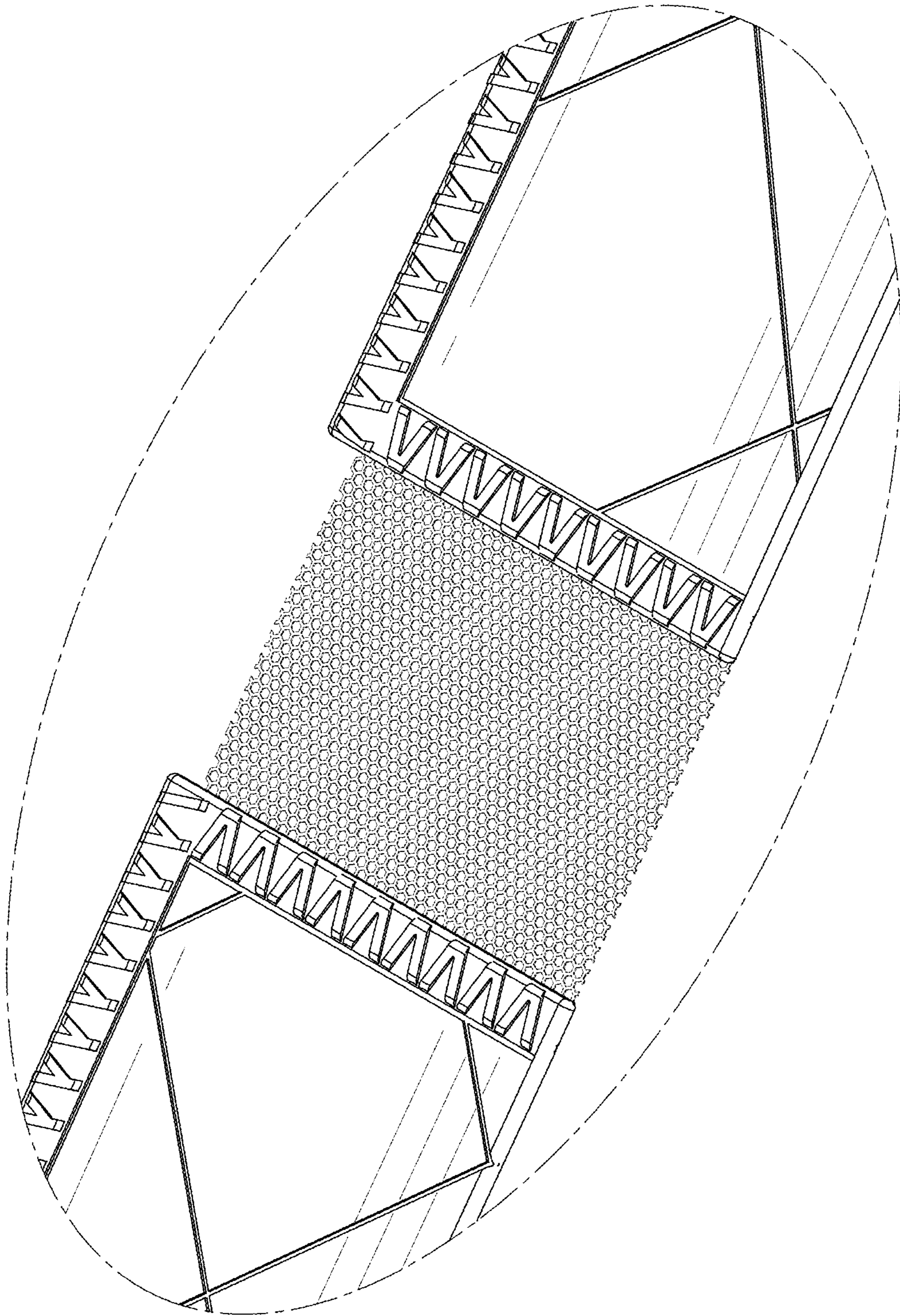


FIG. 9

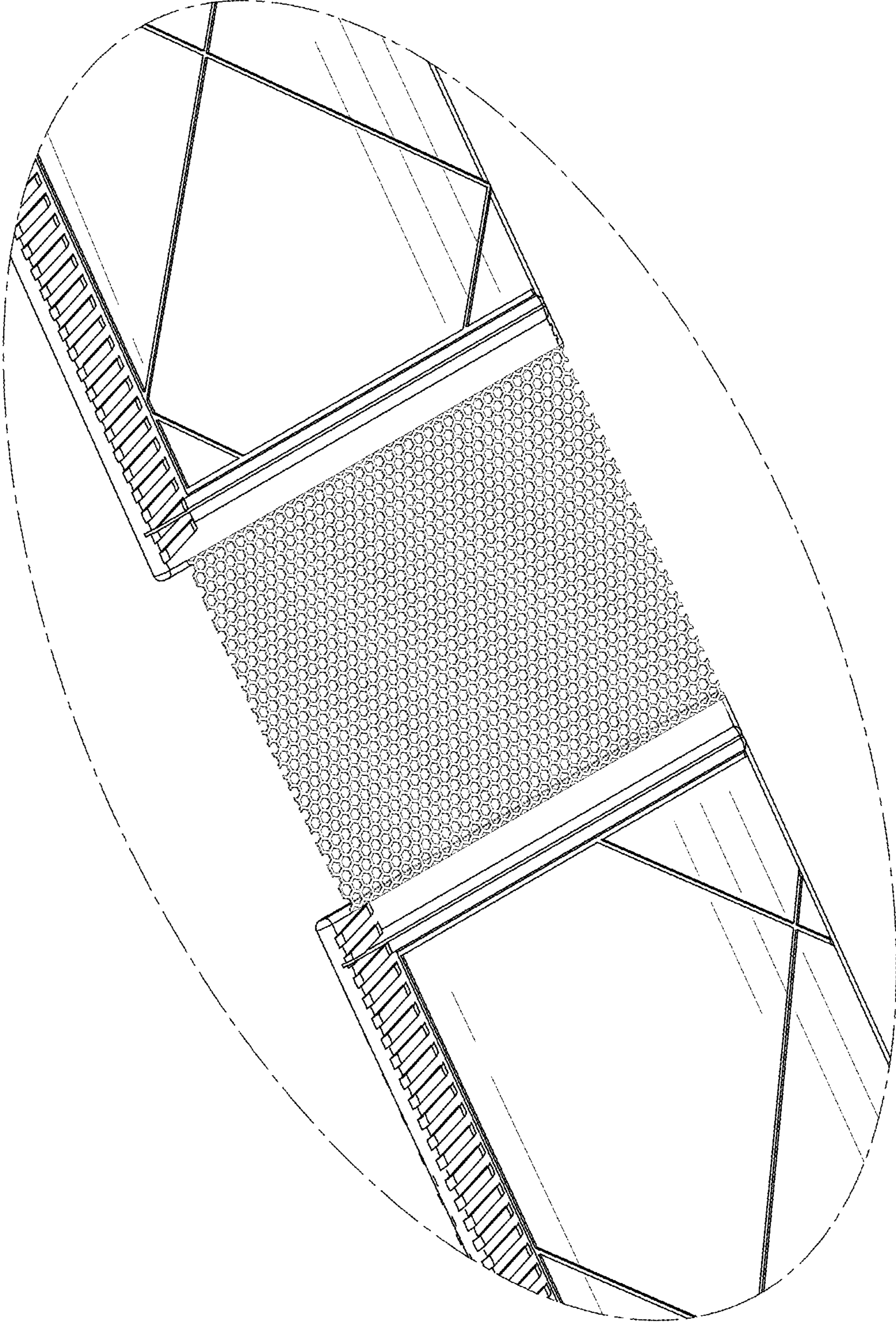


FIG. 10