



US00D879381S

(12) **United States Design Patent** (10) **Patent No.:** **US D879,381 S**  
**Gaito et al.** (45) **Date of Patent:** **\*\* Mar. 24, 2020**

(54) **COSMETICS PALETTE**  
(71) Applicants: **David Gaito**, Plantation, FL (US);  
**Vincent Laurino**, Sunrise, FL (US)  
(72) Inventors: **David Gaito**, Plantation, FL (US);  
**Vincent Laurino**, Sunrise, FL (US)  
(73) Assignee: **OFRA Cosmetics, LLC**, Pompano  
Beach, FL (US)

(\*\*) Term: **15 Years**  
(21) Appl. No.: **29/657,353**

(22) Filed: **Jul. 20, 2018**  
(51) **LOC (12) Cl.** ..... **28-03**  
(52) **U.S. Cl.**  
USPC ..... **D28/84**  
(58) **Field of Classification Search**  
USPC ..... D28/9, 64.1, 76-84; D3/294, 295;  
D9/503-505, 722, 529, 737, 756, 759;  
D19/102-103, 106-107, 112  
CPC ..... A45D 2033/001; A45D 33/006; A45D  
33/003; A45D 33/04-33; A45D 33/025;  
A45D 33/02; A45D 33/20; A45D 33/22;  
A45D 33/24; A45D 33/26; A45D 33/28;  
A45D 33/18; A45D 40/22; A45D 40/222;  
A45D 40/24

See application file for complete search history.

(56) **References Cited**

**U.S. PATENT DOCUMENTS**

1,682,534 A \* 8/1928 Martinat ..... A45D 40/22  
132/297  
5,458,433 A \* 10/1995 Stastny ..... B27F 5/02  
144/136.95  
D416,103 S \* 11/1999 Hashmi ..... D26/120  
D443,393 S \* 6/2001 Goswell ..... D28/83  
D477,895 S \* 7/2003 Goswell ..... D28/83  
D480,837 S \* 10/2003 Liu ..... D28/83  
D583,997 S \* 12/2008 Thorpe ..... D28/83  
D597,256 S \* 7/2009 Liden ..... D28/83  
D632,015 S \* 2/2011 Lai ..... D28/83

D721,855 S \* 1/2015 Lavigne ..... D28/83  
D722,724 S \* 2/2015 Guor ..... D28/83  
D753,882 S \* 4/2016 Chertoff ..... D28/83  
2006/0027481 A1 \* 2/2006 Gelardi ..... A45D 33/008  
206/581  
2008/0245383 A1 \* 10/2008 Tomandl ..... A45D 33/008  
132/200

(Continued)

**OTHER PUBLICATIONS**

Francesca Tolot Gilded Palette, Ofra cosmetics, retrieved on Aug. 30, 2019, retrieved from the Internet URL: [https://www.ofracosmetics.com/products/francesca-tolot-gilded-palette?variant=19447614144598&currency=USD&utm\\_campaign=gs-2018-09-07&utm\\_source=google&utm\\_medium=smart\\_campaign&gclid=EAAlQobChMI5LLe0feq5AIVGo.\\*](https://www.ofracosmetics.com/products/francesca-tolot-gilded-palette?variant=19447614144598&currency=USD&utm_campaign=gs-2018-09-07&utm_source=google&utm_medium=smart_campaign&gclid=EAAlQobChMI5LLe0feq5AIVGo.*)

*Primary Examiner* — Jennifer Rivard  
*Assistant Examiner* — Alison M Ofstun  
(74) *Attorney, Agent, or Firm* — Garrity Traina, PLLC;  
Christopher Traina, Esq.

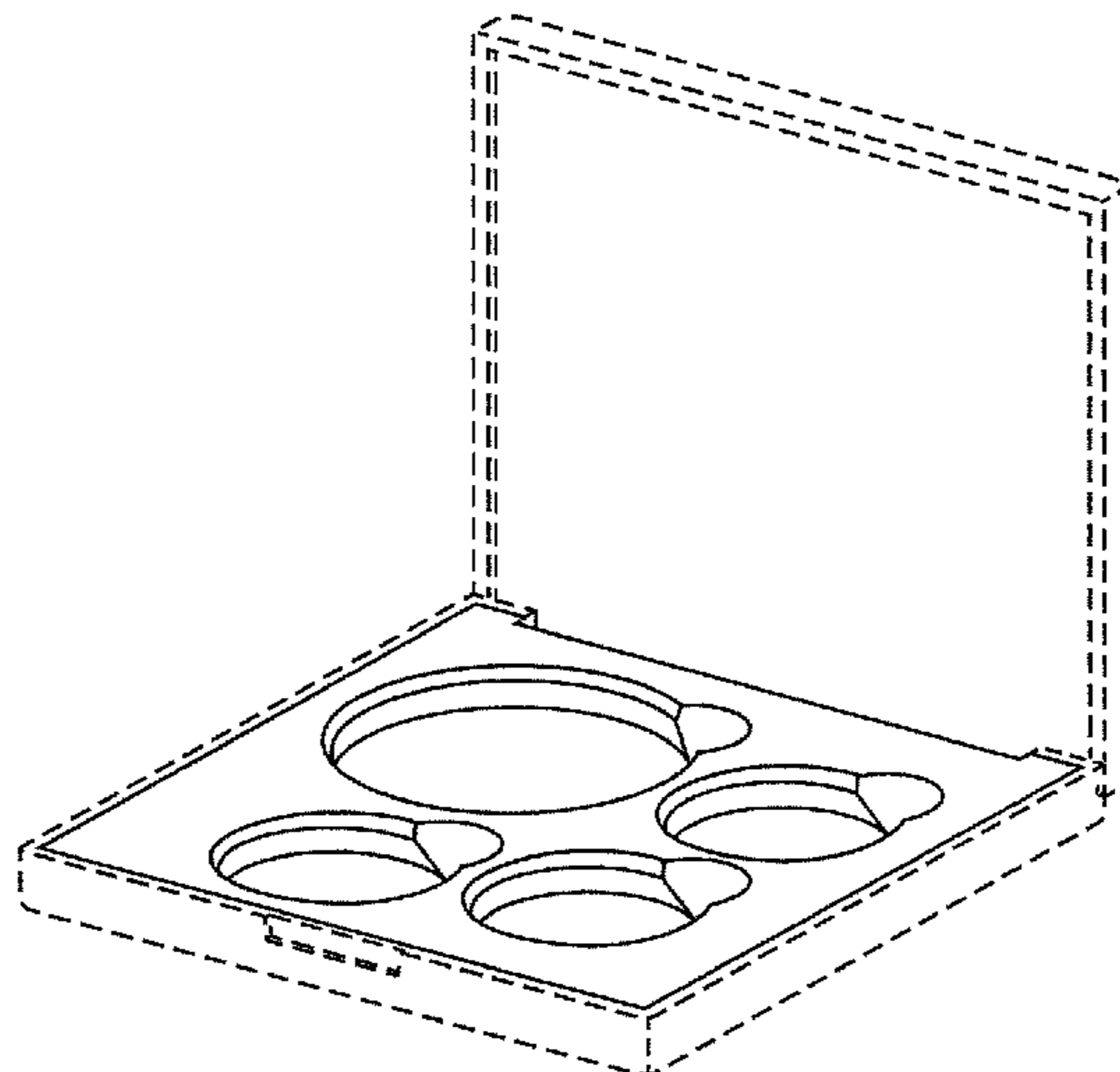
(57) **CLAIM**

The ornamental design for a cosmetics palette, as shown and described.

**DESCRIPTION**

FIG. 1 is a front perspective view of a cosmetics palette showing our new design, shown in an open configuration; FIG. 2 is a bottom plan view of the cosmetics palette in FIG. 1.  
FIG. 3 is a top plan view thereof.  
FIG. 4 is a front plan view thereof.  
FIG. 5 is a right plan view thereof.  
FIG. 6 is left plan view thereof.  
FIG. 7 is a rear plan view thereof; and,  
FIG. 8 is a front perspective view of the cosmetics palette in its closed configuration.  
The broken lines in the drawings show portions of the palette that form no part of the claimed design.

**1 Claim, 4 Drawing Sheets**



(56)

**References Cited**

U.S. PATENT DOCUMENTS

2014/0299151 A1\* 10/2014 Stroud ..... A45D 33/008  
132/315  
2019/0059557 A1\* 2/2019 Kehoe ..... A45D 40/24

\* cited by examiner

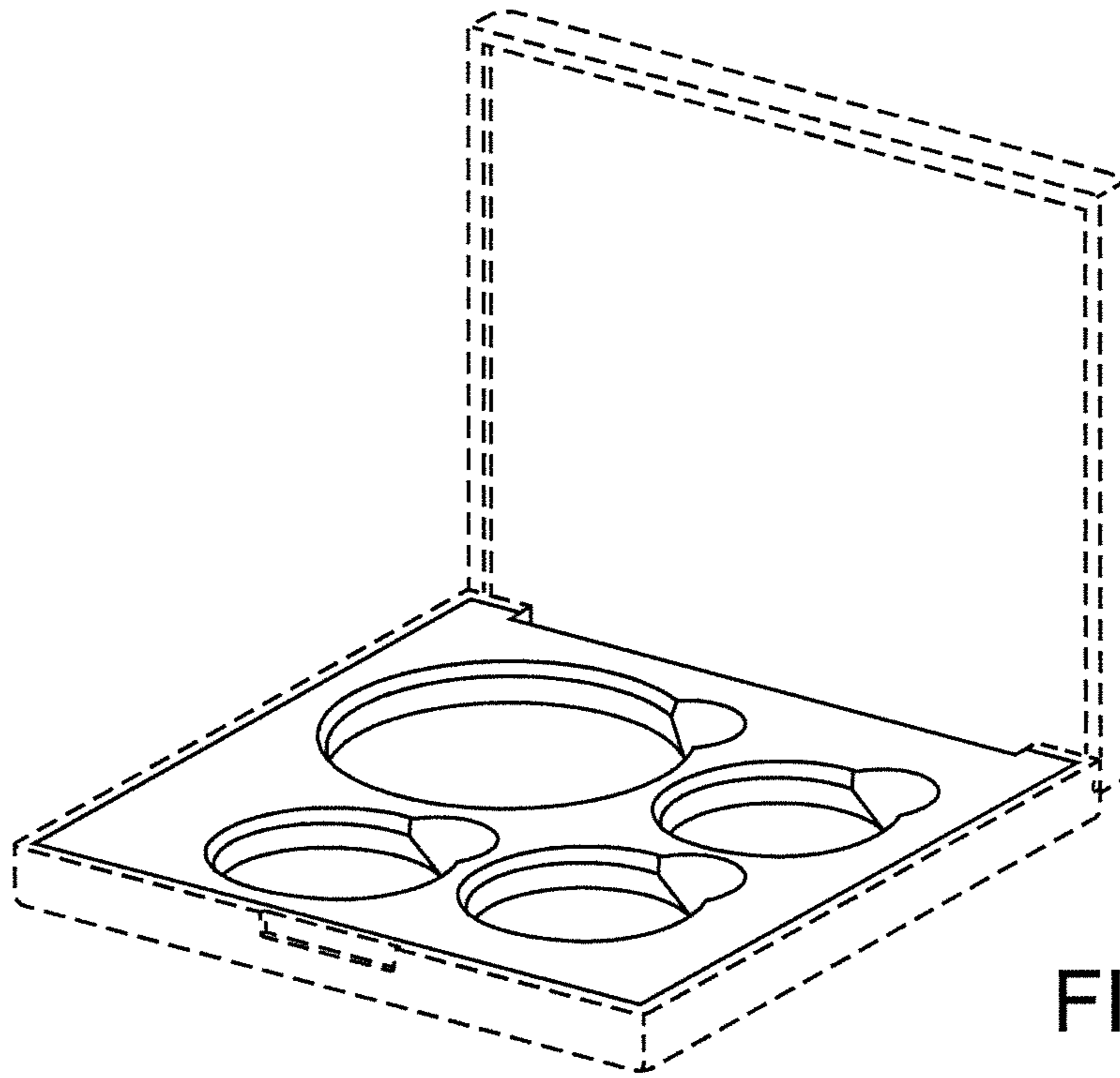


FIG. 1

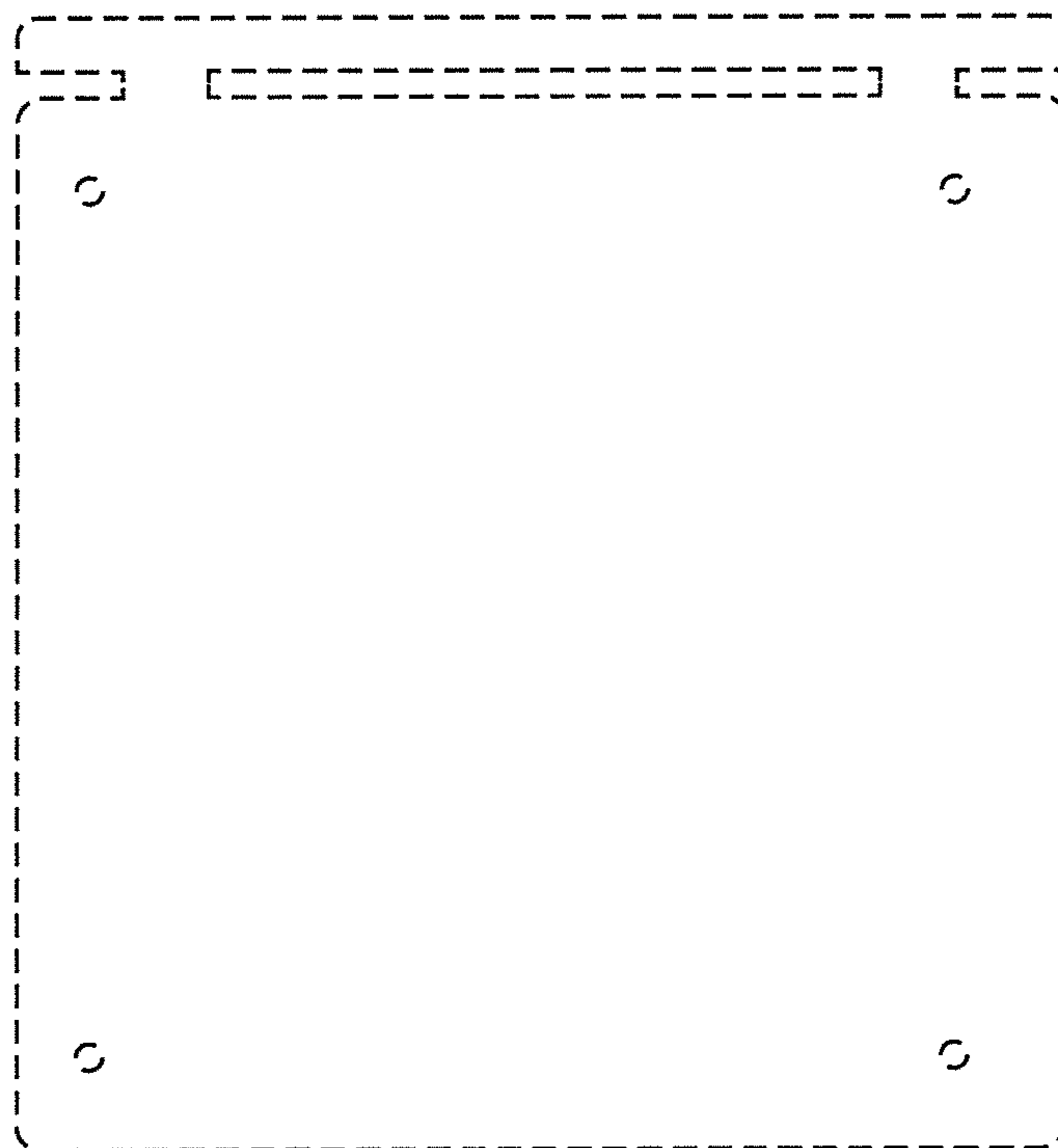


FIG. 2

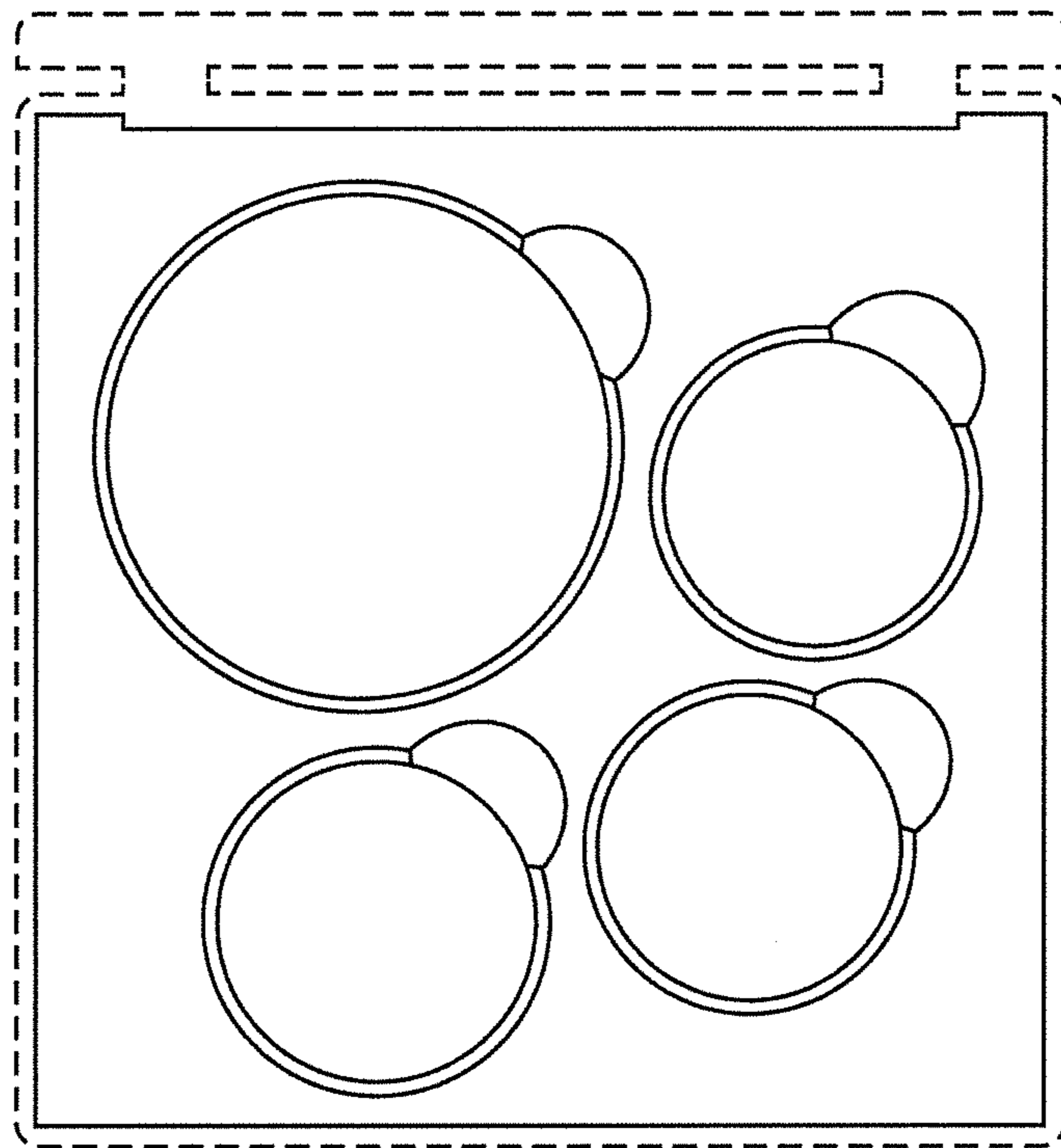


FIG. 3

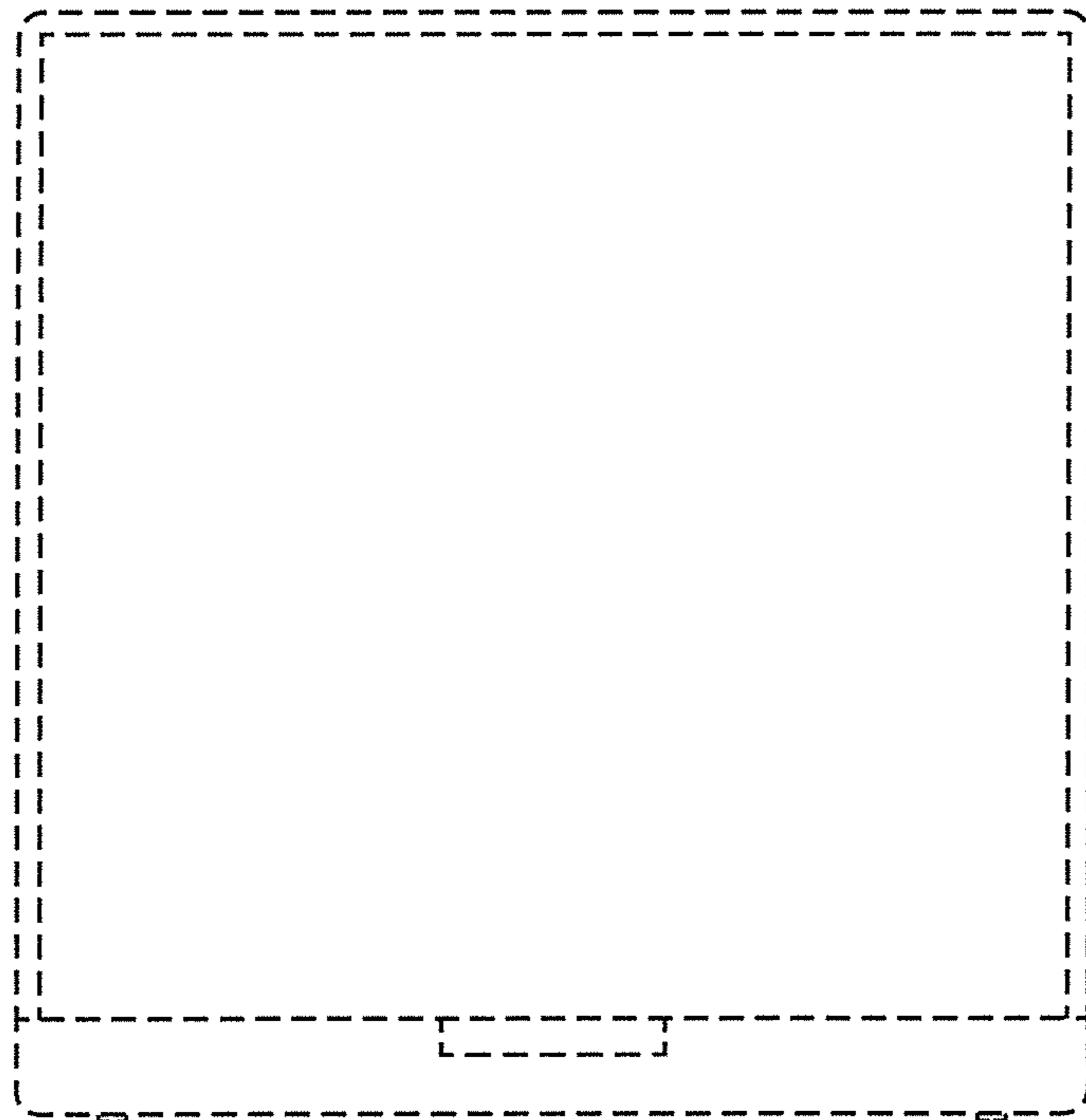


FIG. 4

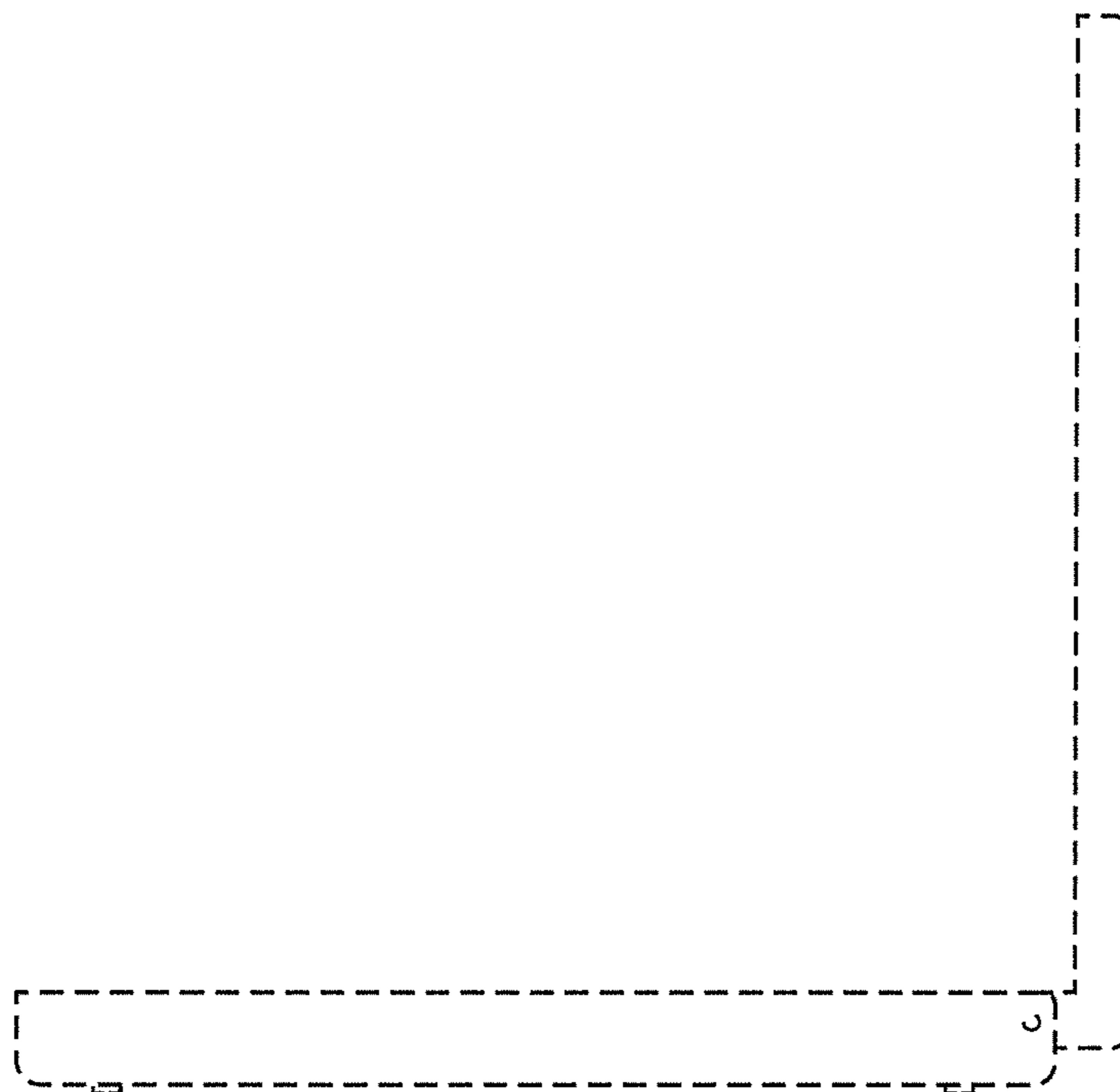


FIG. 5

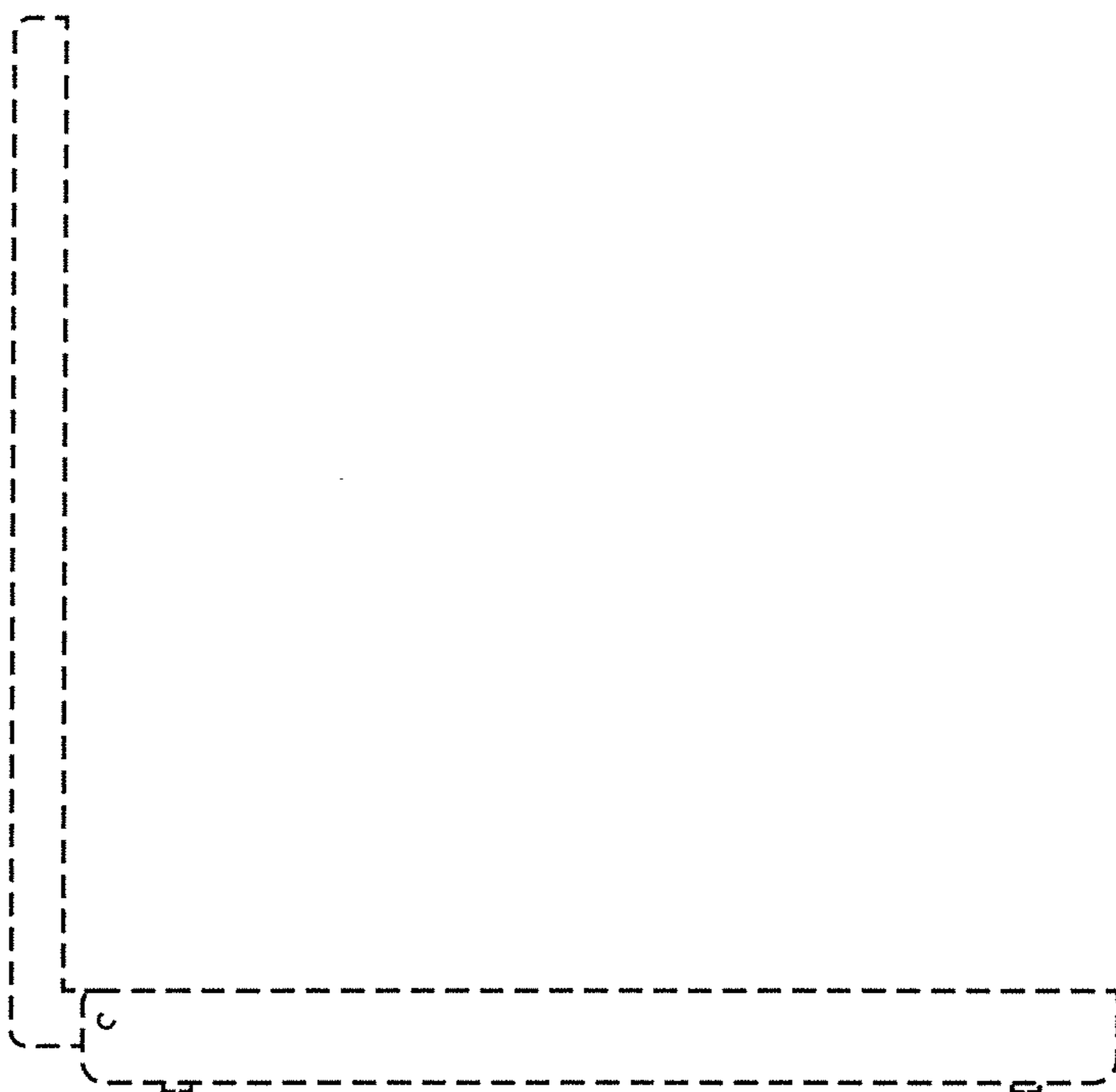


FIG. 6

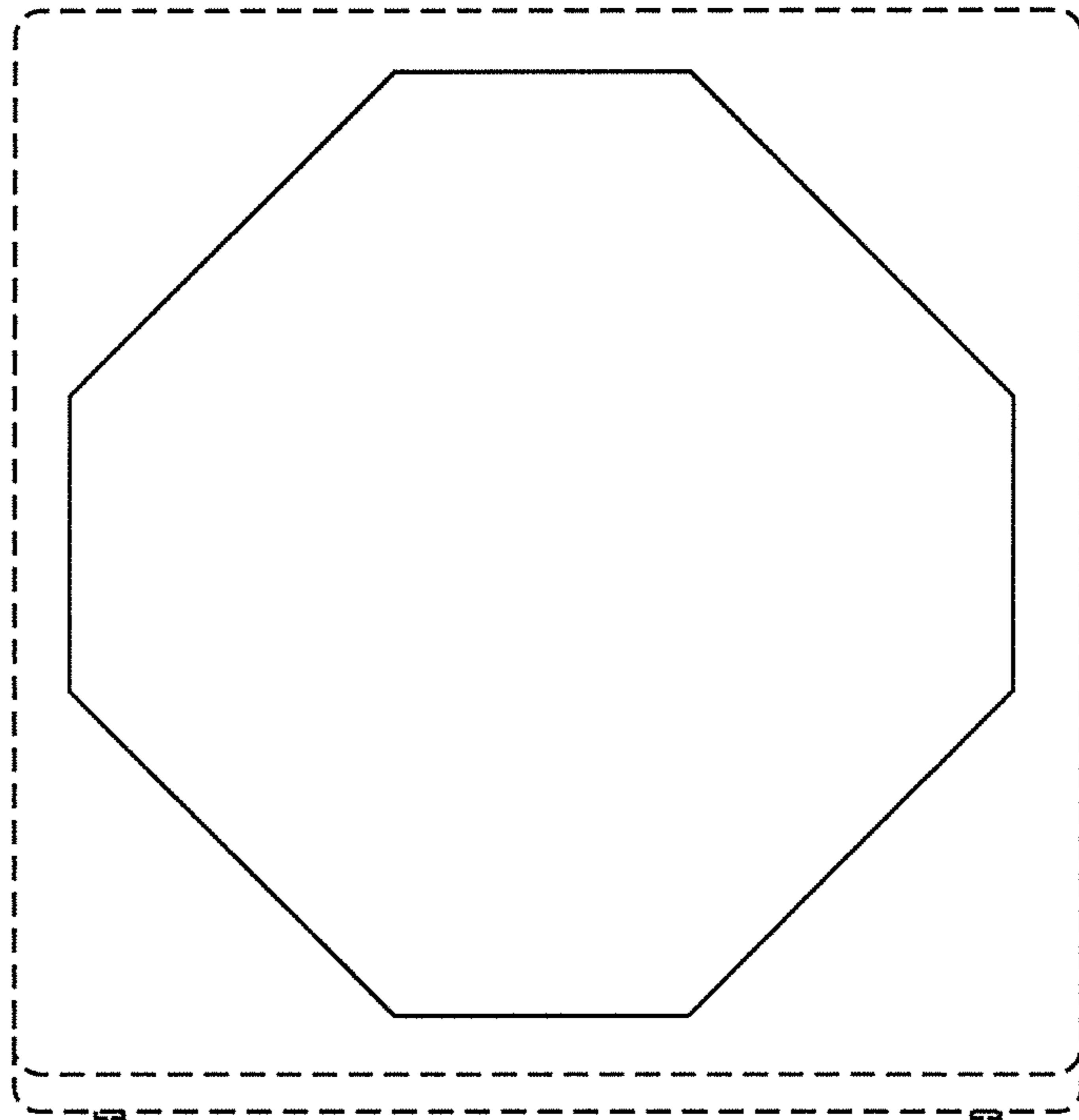


FIG. 7

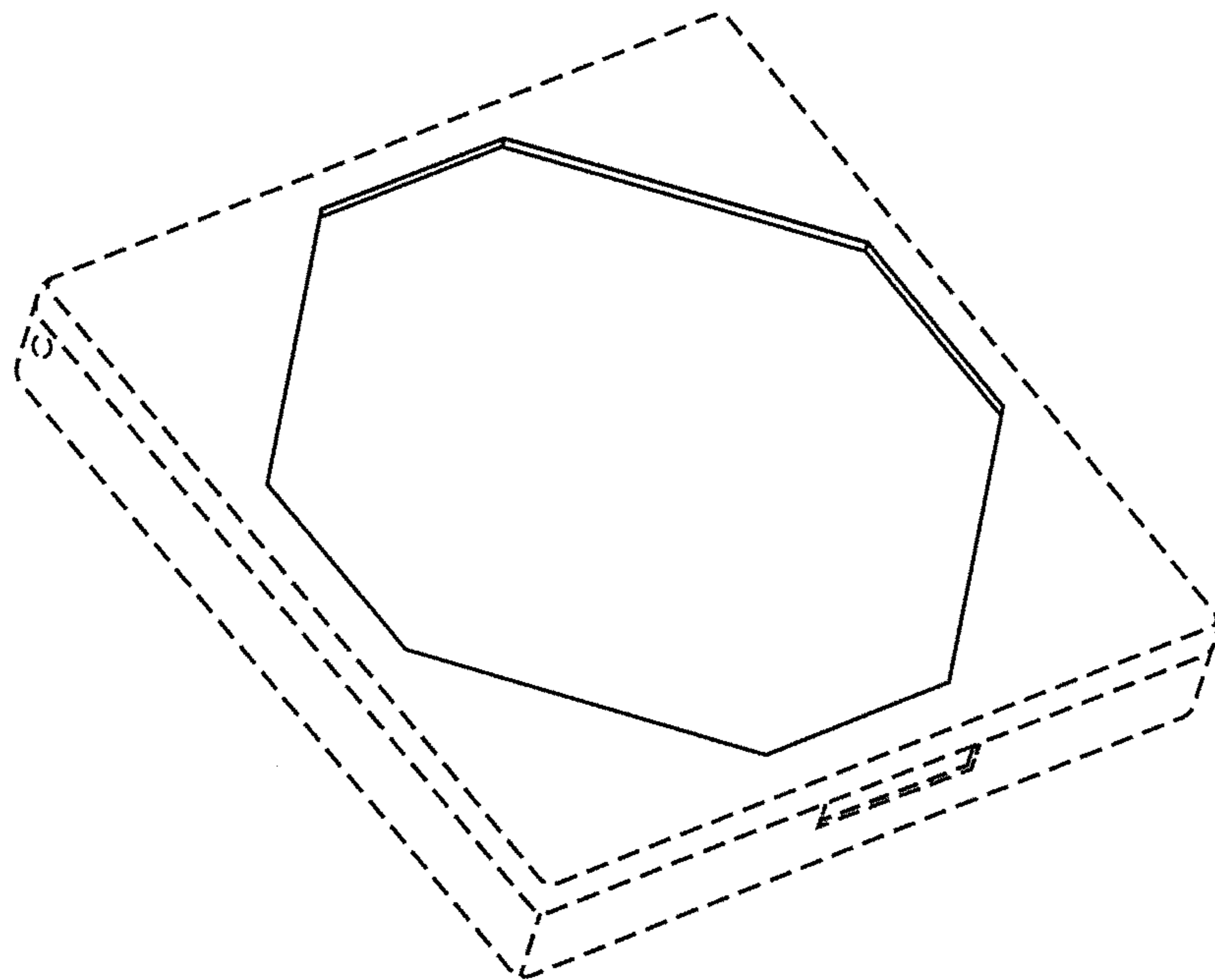


FIG. 8