



US00D879380S

(12) **United States Design Patent** (10) **Patent No.:** **US D879,380 S**
Gaito et al. (45) **Date of Patent:** **** Mar. 24, 2020**

(54) **COSMETICS PALETTE**
(71) Applicants: **David Gaito**, Plantation, FL (US);
Vincent Laurino, Sunrise, FL (US)
(72) Inventors: **David Gaito**, Plantation, FL (US);
Vincent Laurino, Sunrise, FL (US)
(73) Assignee: **OFRA Cosmetics, LLC**, Pompano
Beach, FL (US)

(**) Term: **15 Years**
(21) Appl. No.: **29/657,350**

(22) Filed: **Jul. 20, 2018**
(51) **LOC (12) Cl.** **28-03**
(52) **U.S. Cl.**
USPC **D28/84**
(58) **Field of Classification Search**
USPC D28/9, 64.1, 76-84; D3/294, 295;
D9/503-505, 722, 529, 737, 756, 759;
D19/102-103, 106-107, 112
CPC A45D 2033/001; A45D 33/006; A45D
33/003; A45D 33/04-33; A45D 33/025;
A45D 33/02; A45D 33/20; A45D 33/22;
A45D 33/24; A45D 33/26; A45D 33/28;
A45D 33/18; A45D 40/22; A45D 40/222;
A45D 40/24

See application file for complete search history.

(56) **References Cited**

U.S. PATENT DOCUMENTS

1,682,534 A * 8/1928 Martinat A45D 40/22
132/297
5,458,433 A * 10/1995 Stastny B27F 5/02
144/136.95
D416,103 S * 11/1999 Hashmi D26/120
D443,393 S * 6/2001 Goswell D28/83
D477,895 S * 7/2003 Goswell D28/83
D480,837 S * 10/2003 Liu D28/83
D583,997 S * 12/2008 Thorpe D28/83
D597,256 S * 7/2009 Liden D28/83
D632,015 S * 2/2011 Lai D28/83

D721,855 S * 1/2015 Lavigne D28/83
D722,724 S * 2/2015 Guor D28/83
D753,882 S * 4/2016 Chertoff D28/83
2006/0027481 A1 * 2/2006 Gelardi A45D 33/008
206/581
2008/0245383 A1 * 10/2008 Tomandl A45D 33/008
132/200

(Continued)

OTHER PUBLICATIONS

Francesca Tolot Gilded Palette, Ofra cosmetics, retrieved on Aug. 30, 2019, retrieved from the Internet URL: https://www.ofracosmetics.com/products/francesca-tolot-gilded-palette?variant=19447614144598¤cy=USD&utm_campaign=gs-2018-09-07&utm_source=google&utm_medium=smart_campaign&gclid=EAlalQobChMI5LLe0feq5AIVGo.*

Primary Examiner — Jennifer Rivard
Assistant Examiner — Alison M Ofstun
(74) *Attorney, Agent, or Firm* — Garrity Traina, PLLC;
Christopher Traina, Esq.

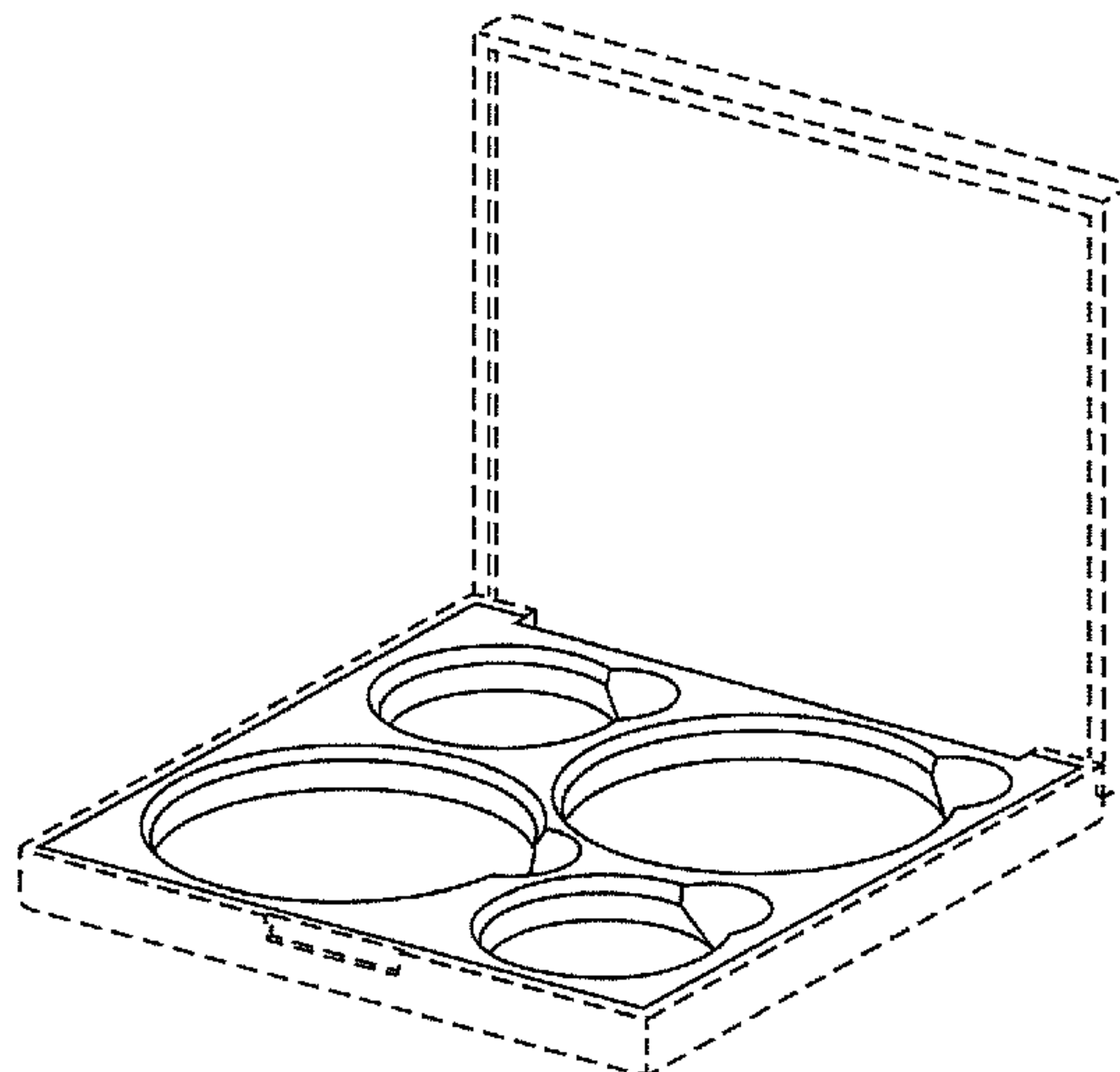
(57) **CLAIM**

The ornamental design for a cosmetics palette, as shown and described.

DESCRIPTION

FIG. 1 is a front perspective view of a cosmetics palette, showing our new design, shown in an open configuration. FIG. 2 is a bottom plan view of the cosmetics palette in FIG. 1. FIG. 3 is a top plan view thereof. FIG. 4 is a front plan view thereof. FIG. 5 is a right plan view thereof. FIG. 6 is left plan view thereof. FIG. 7 is a rear plan view thereof; and, FIG. 8 is a front perspective view of the cosmetics palette in its closed configuration. The broken lines in the drawings show portions of the palette that form no part of the claimed design.

1 Claim, 4 Drawing Sheets



(56)

References Cited

U.S. PATENT DOCUMENTS

2014/0299151 A1* 10/2014 Stroud A45D 33/008
132/315
2019/0059557 A1* 2/2019 Kehoe A45D 40/24

* cited by examiner

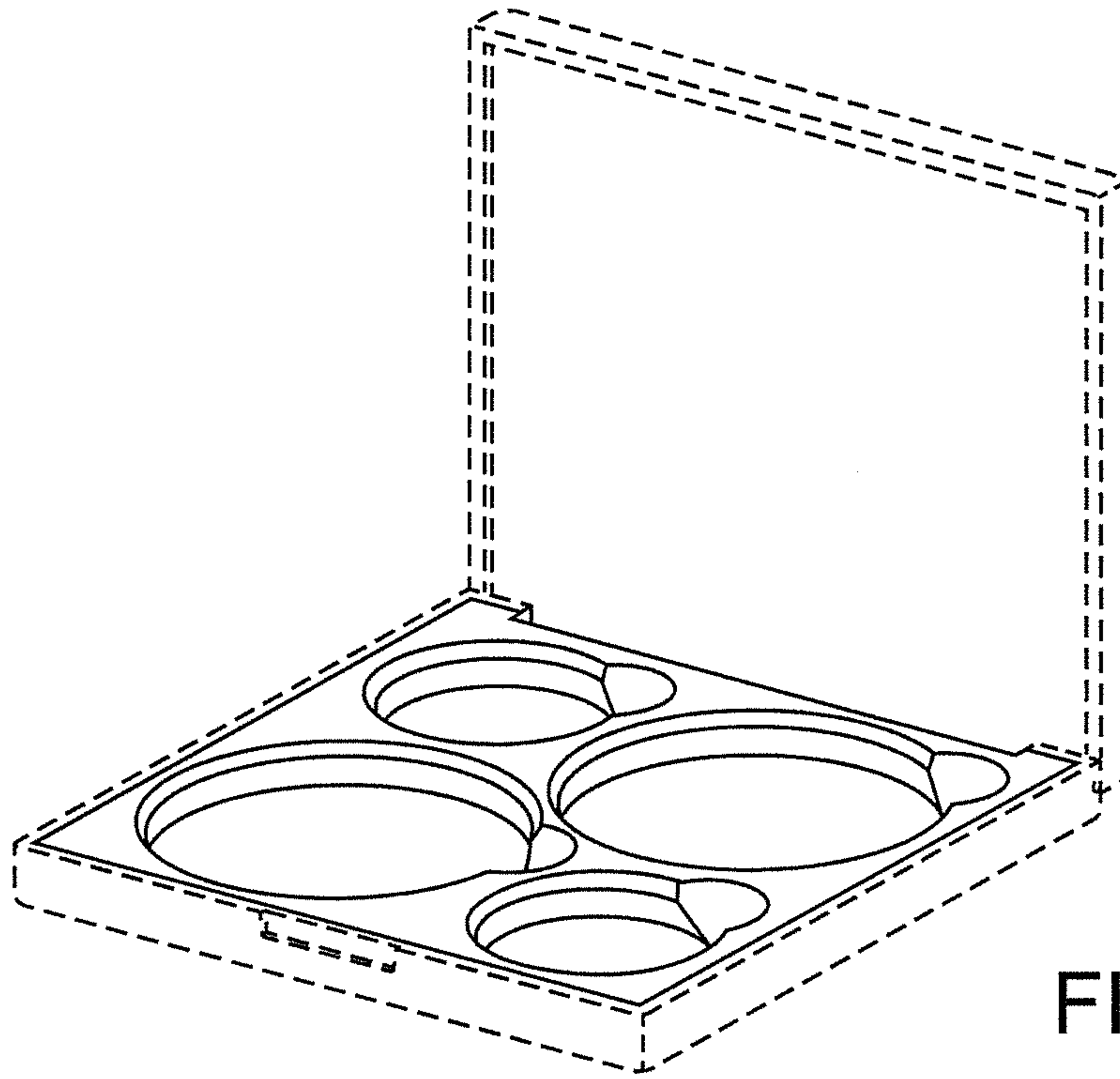


FIG. 1

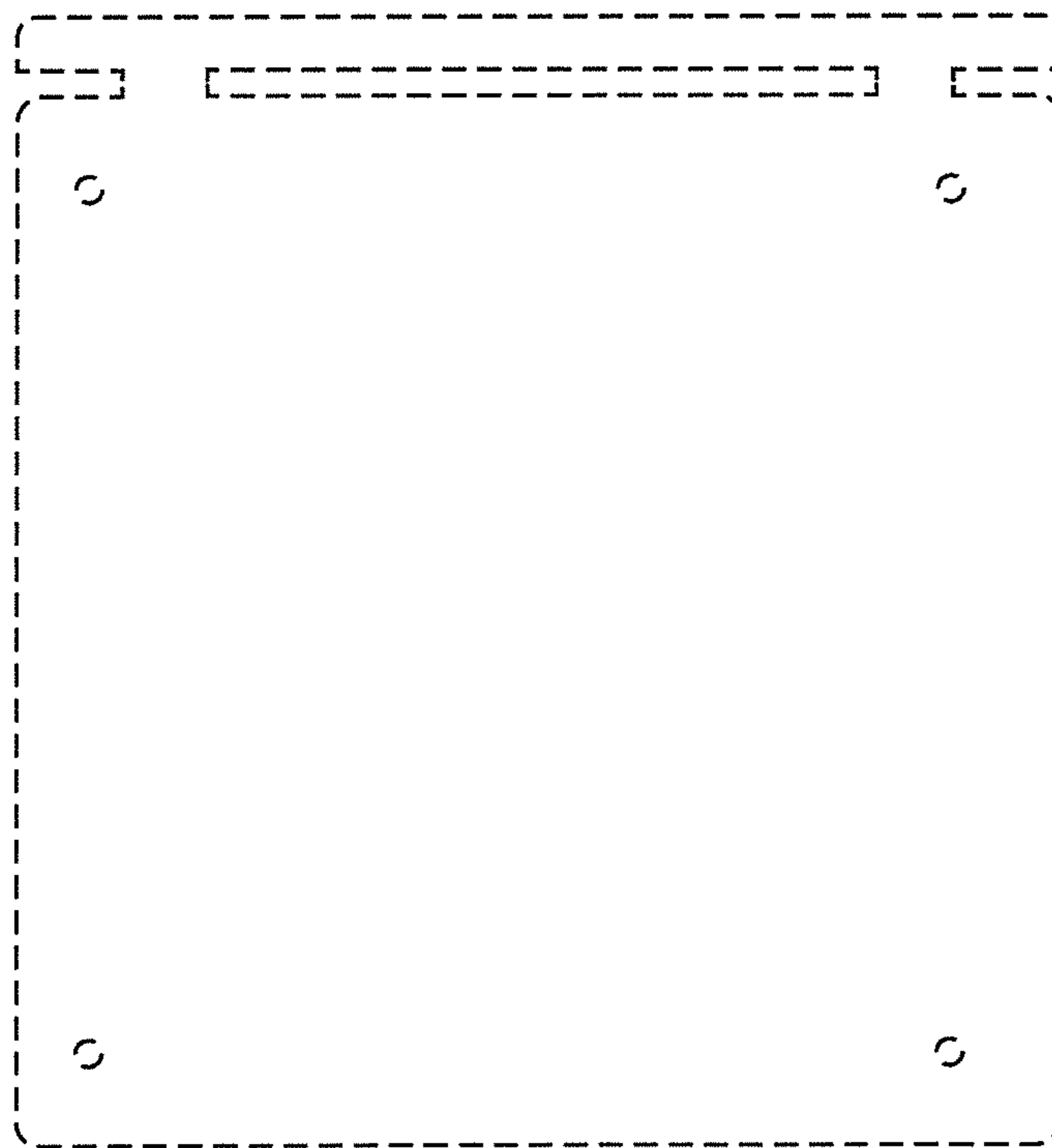


FIG. 2

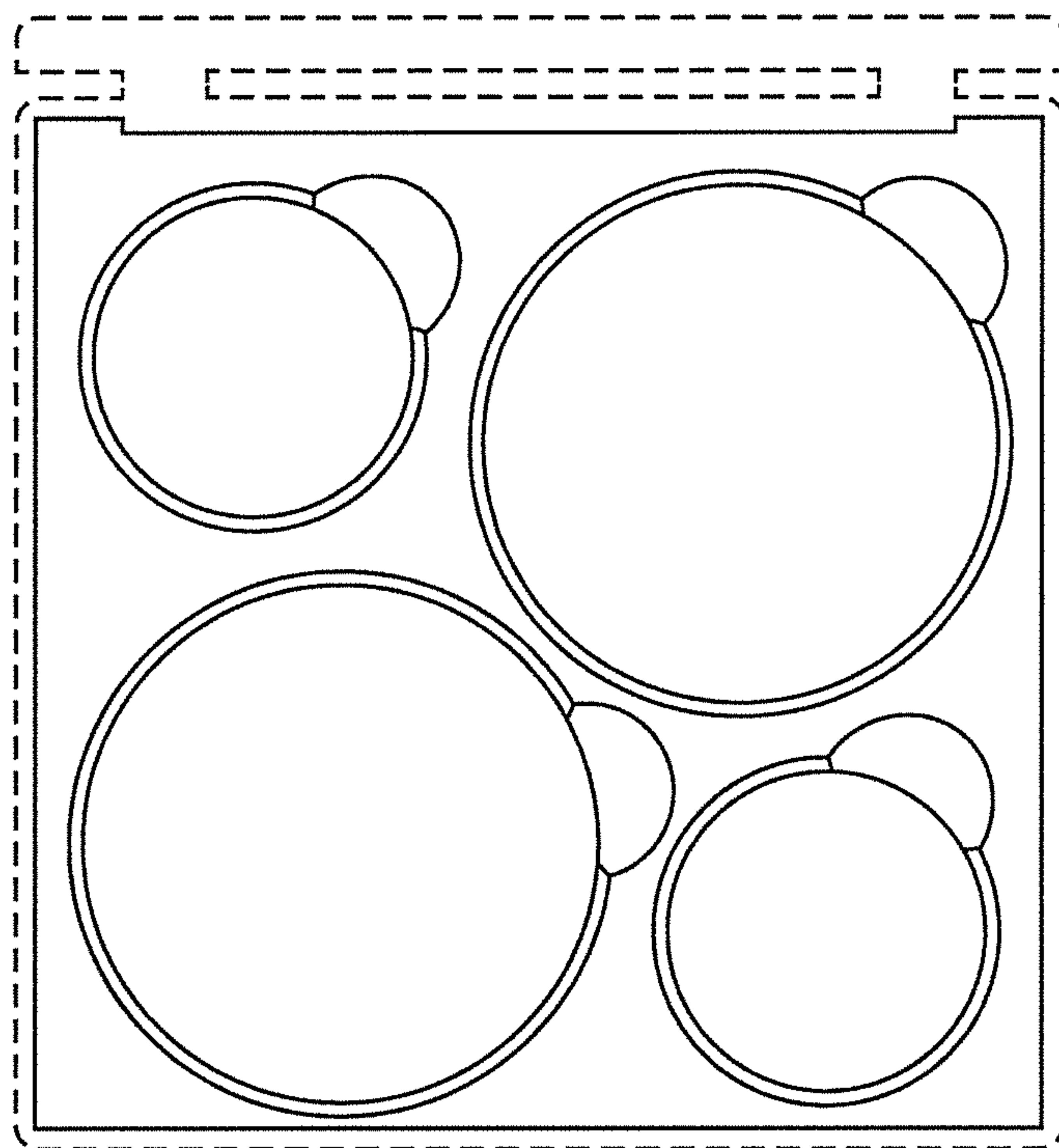


FIG. 3

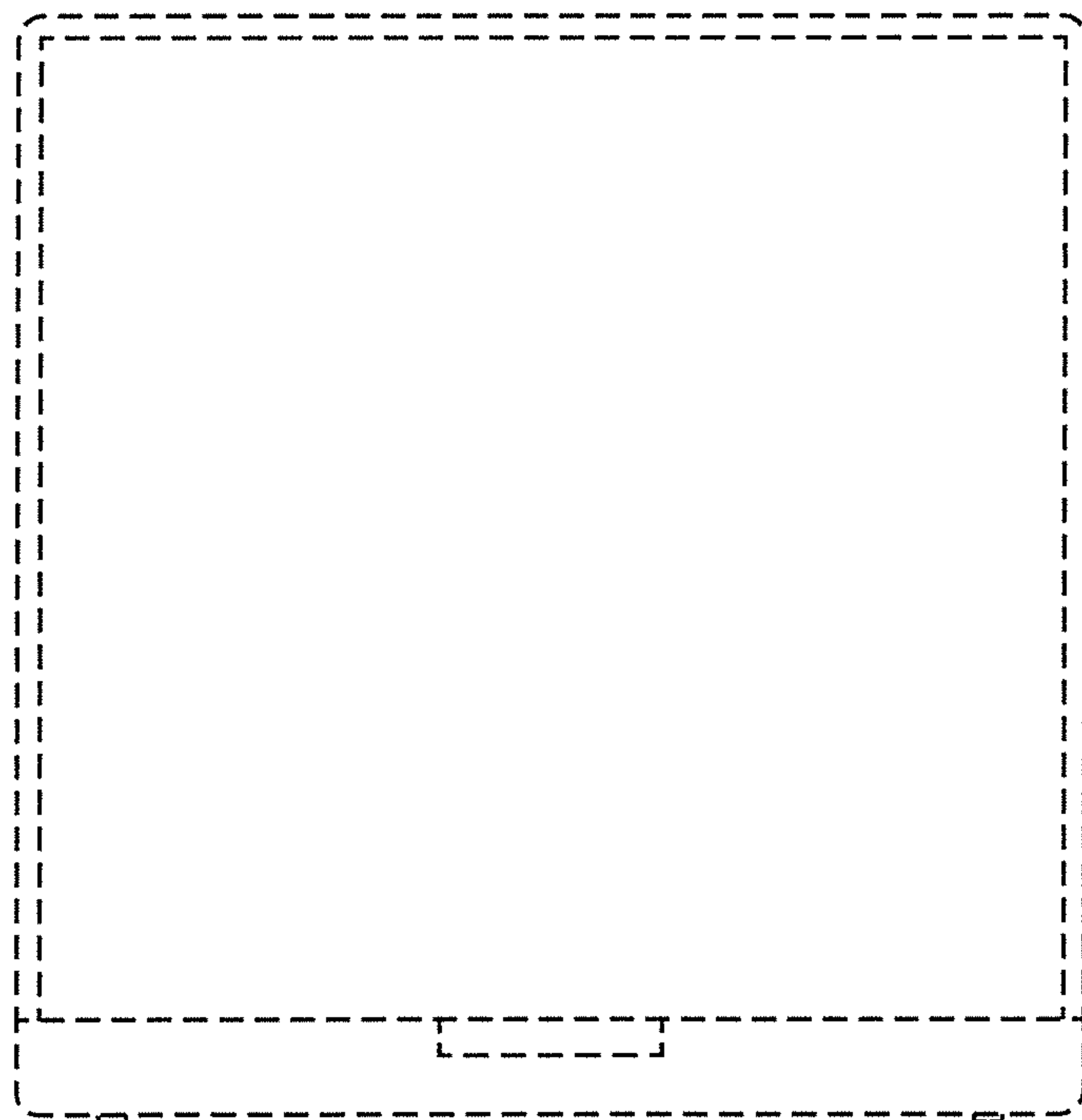


FIG. 4

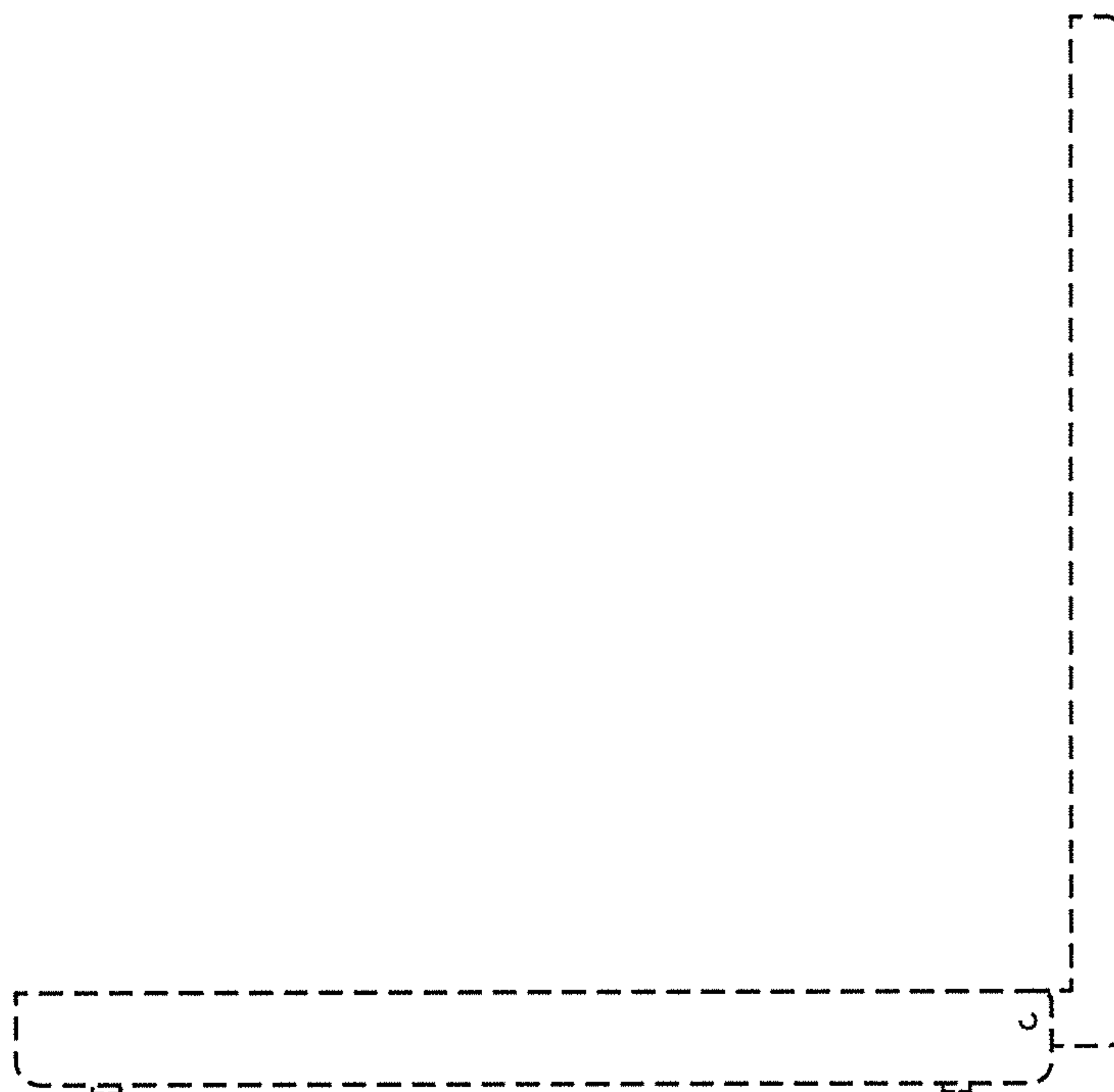


FIG. 5

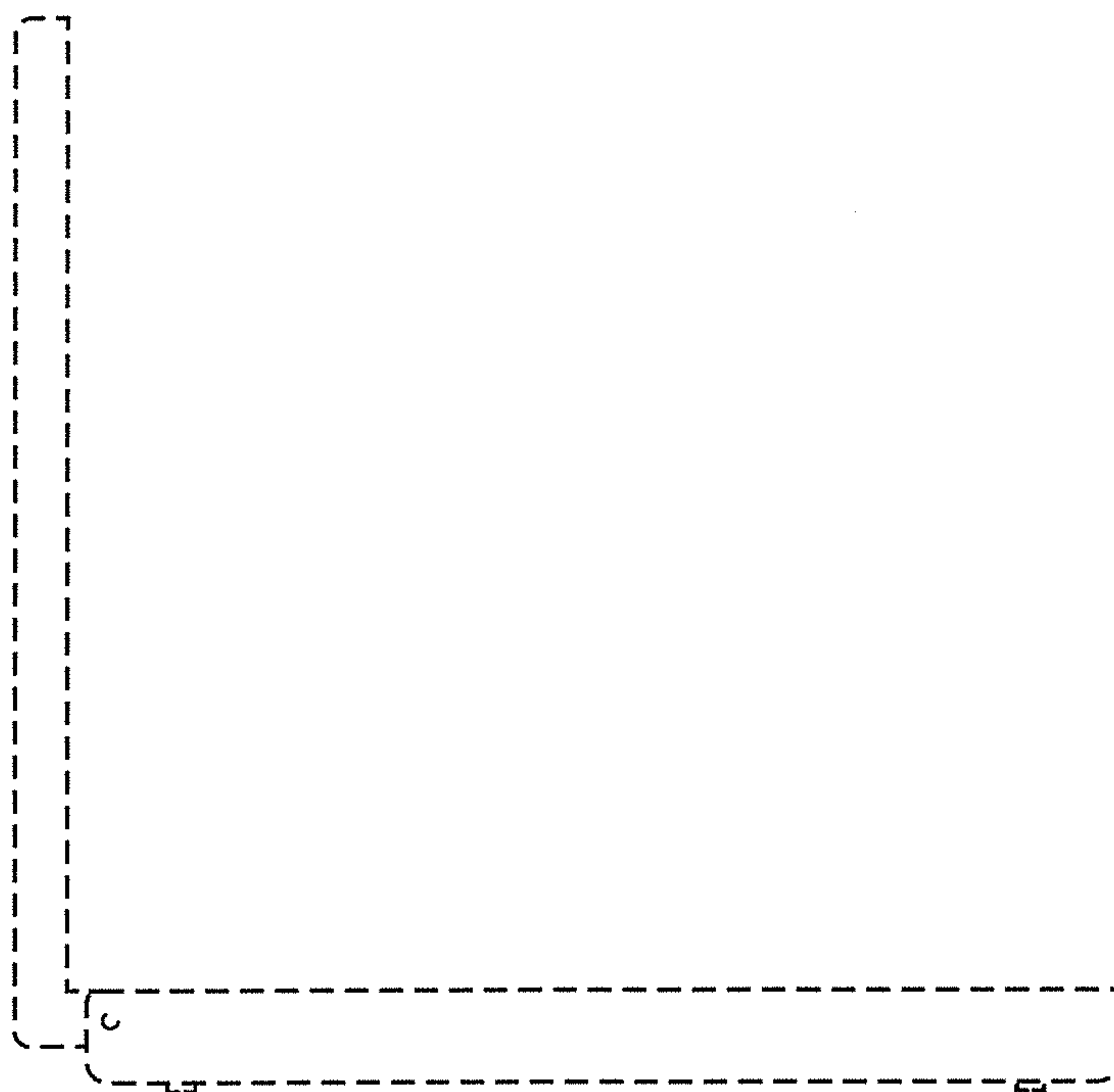


FIG. 6

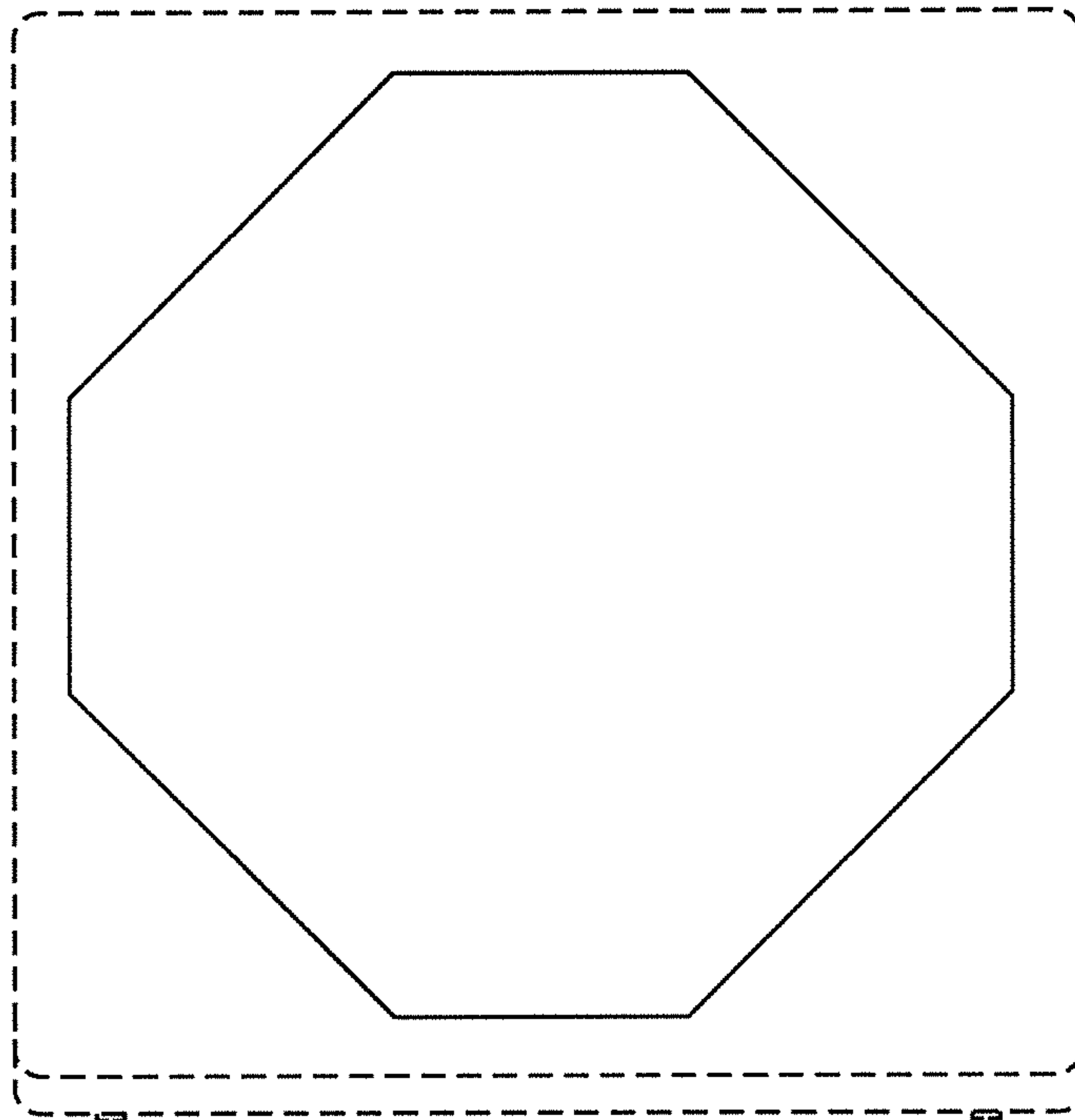


FIG. 7

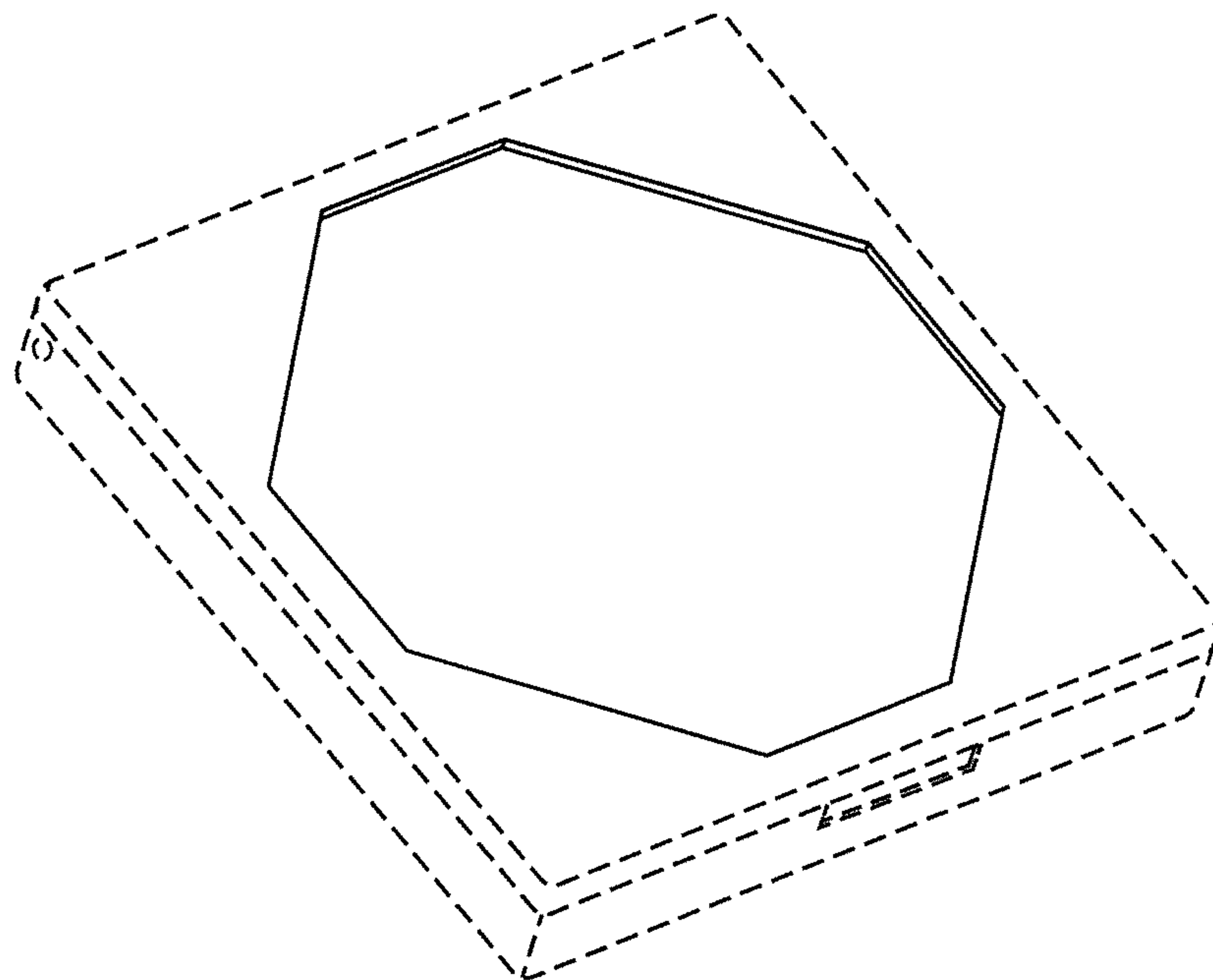


FIG. 8