



US00D879378S

(12) **United States Design Patent** (10) **Patent No.:** **US D879,378 S**
Liddell et al. (45) **Date of Patent:** **** Mar. 24, 2020**

(54) **NAIL POLISH CONDITIONER**

FOREIGN PATENT DOCUMENTS

(71) Applicant: **Intelligent Beauty Products Ltd.**,
Newmarket (GB)

EP 654 660 B1 3/2000
JP 2003001085 A 1/2003
WO 2013029017 A1 2/2013

(72) Inventors: **Andrew Liddell**, Cambridgeshire (GB);
David Simmons, Suffolk (GB); **John Grace**, Valencia (ES)

OTHER PUBLICATIONS

US 9,205,390 B2, 12/2015, Eisen (withdrawn)
(Continued)

(73) Assignee: **Intelligent Beauty Products Ltd.**,
Newmarket (GB)

Primary Examiner — Jennifer Rivard

(**) Term: **15 Years**

(74) *Attorney, Agent, or Firm* — Myers Wolin, LLC

(21) Appl. No.: **29/625,568**

(22) Filed: **Nov. 10, 2017**

(57) **CLAIM**

(51) **LOC (12) Cl.** **28-03**

The ornamental design for a nail polish conditioner, as shown and described.

(52) **U.S. Cl.**

USPC **D28/58**; D28/61

(58) **Field of Classification Search**

USPC D28/58, 62; D15/147; D7/376–378
CPC B01F 11/0022; B01F 15/0074; B01F 11/0014; B01F 11/0017; A45D 20/20; A45D 20/00

See application file for complete search history.

DESCRIPTION

FIG. 1 is a perspective view of the first embodiment of a nail polish conditioner showing our new design; FIG. 2 is a front elevational view thereof; FIG. 3 is a left side elevational view thereof, the right side elevational view being a mirror image; FIG. 4 is a rear elevational view thereof; FIG. 5 is a top plan view thereof; FIG. 6 is a bottom plan view thereof; FIG. 7 is a perspective view of the second embodiment of a nail polish conditioner showing our new design; FIG. 8 is a front elevational view thereof; FIG. 9 is a left side elevational view thereof, the right side elevational view being a mirror image; FIG. 10 is a rear elevational view thereof; FIG. 11 is a top plan view thereof; and, FIG. 12 is a bottom plan view thereof. The broken lines illustrate portions of the nail polish conditioner that form no part of the claimed design.

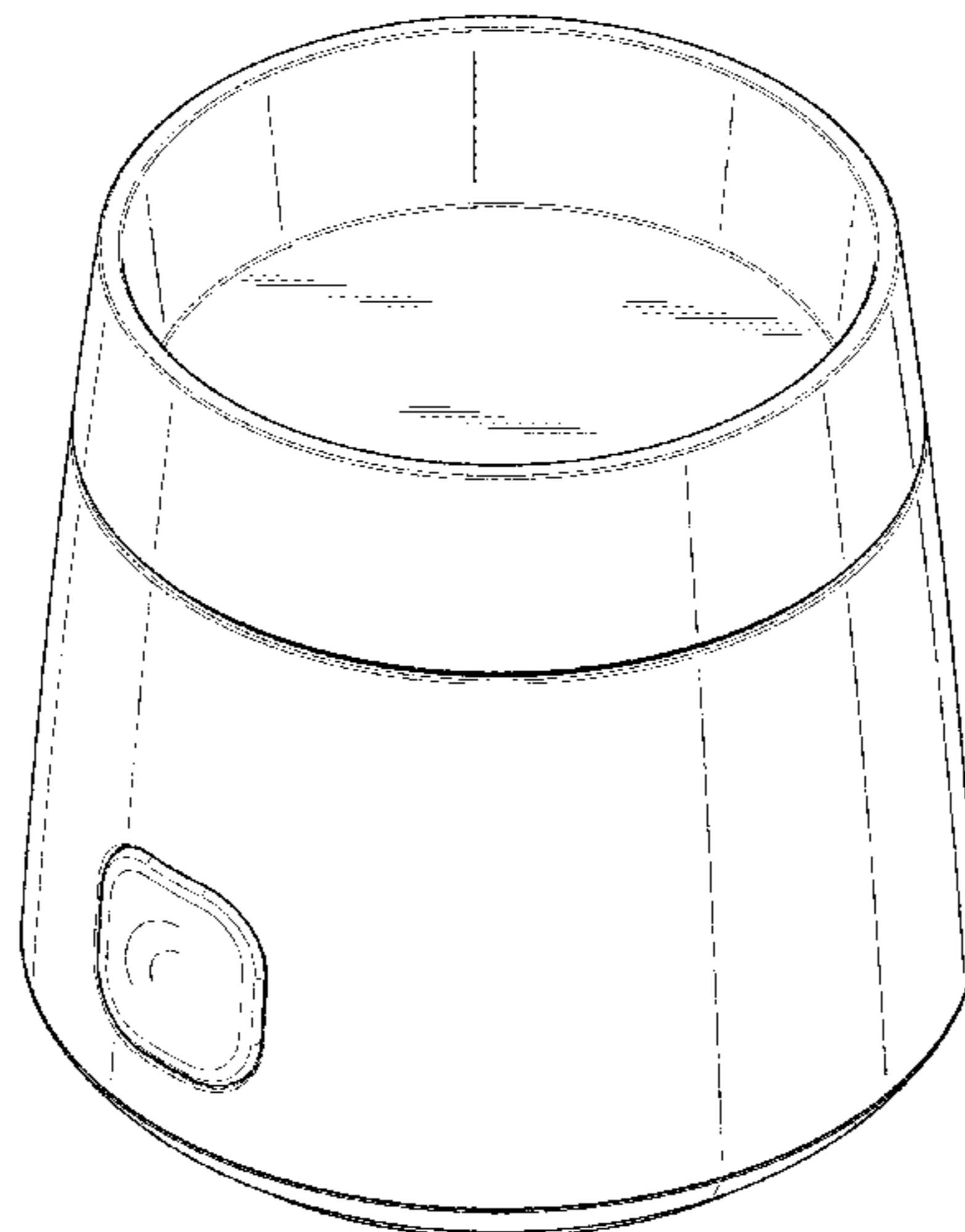
(56) **References Cited**

U.S. PATENT DOCUMENTS

D166,827 S * 5/1952 Schluttig D15/144.2
2,970,235 A * 1/1961 Pike B01F 11/0017
310/166
3,311,941 A 4/1967 Buchwalter et al.
D225,787 S * 1/1973 Levin D7/386
D237,106 S * 10/1975 Baljet et al. D15/147
D274,530 S * 7/1984 Uyeda D15/122
4,893,938 A * 1/1990 Anderson B01F 11/0017
366/208
5,238,302 A 8/1993 Rohan
5,273,357 A * 12/1993 Currie A45D 34/048
366/110
5,399,013 A * 3/1995 Sawyer B01F 11/0028
366/110
D364,249 S * 11/1995 Cannata-Nowell D24/220

(Continued)

1 Claim, 12 Drawing Sheets



(56)

References Cited

U.S. PATENT DOCUMENTS

5,971,599 A * 10/1999 Bothers B01F 11/0022
 366/110
 6,180,892 B1 * 1/2001 Li G01G 17/04
 141/247
 D450,731 S * 11/2001 Papaikonomou D15/199
 6,612,732 B2 * 9/2003 Blakeman, II B01F 11/0008
 366/209
 D718,464 S * 11/2014 Schroer D24/220
 D745,181 S * 12/2015 Schroer D24/220
 9,289,736 B1 3/2016 Eisen et al.
 9,339,779 B1 * 5/2016 Olson B01F 15/0074
 D765,913 S * 9/2016 Dadon D28/58
 2005/0190641 A1 9/2005 Countz
 2009/0161484 A1 * 6/2009 Tarallo B01F 15/0074
 366/342
 2011/0226803 A1 9/2011 Schwartz
 2013/0003487 A1 * 1/2013 Ballard B01F 11/0008
 366/110

2013/0220948 A1 8/2013 Nguyen
 2014/0126321 A1 * 5/2014 Eisen B01F 15/00409
 366/213
 2014/0334249 A1 11/2014 Radow
 2015/0231582 A1 8/2015 Schwartz
 2016/0101395 A1 4/2016 Hussain
 2016/0288069 A1 10/2016 Jasperson et al.
 2017/0128897 A1 * 5/2017 Lu B01F 11/0022

OTHER PUBLICATIONS

Mini Vortex Mixer, www.amazon.co.uk, 1 page, downloaded Jul. 10, 2019.*
 LabGenius MI01010001 Mini-Vortex, www.amazon.com, 1 page, downloaded Nov. 4, 2019.*
 Mini Vortex Mixer HuXi, www.amazon.com, 1 page, downloaded Nov. 4, 2019.*

* cited by examiner

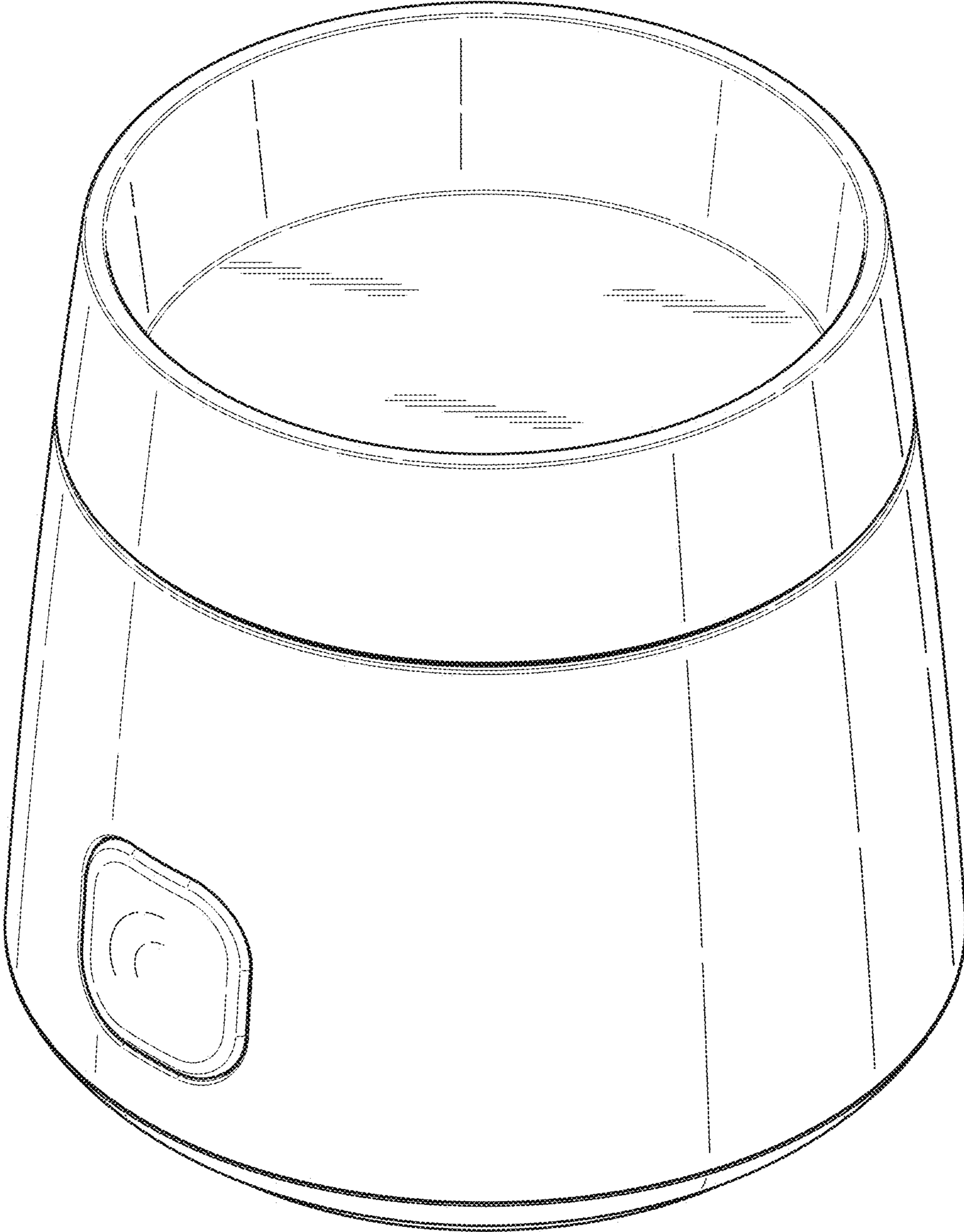


FIG. 1

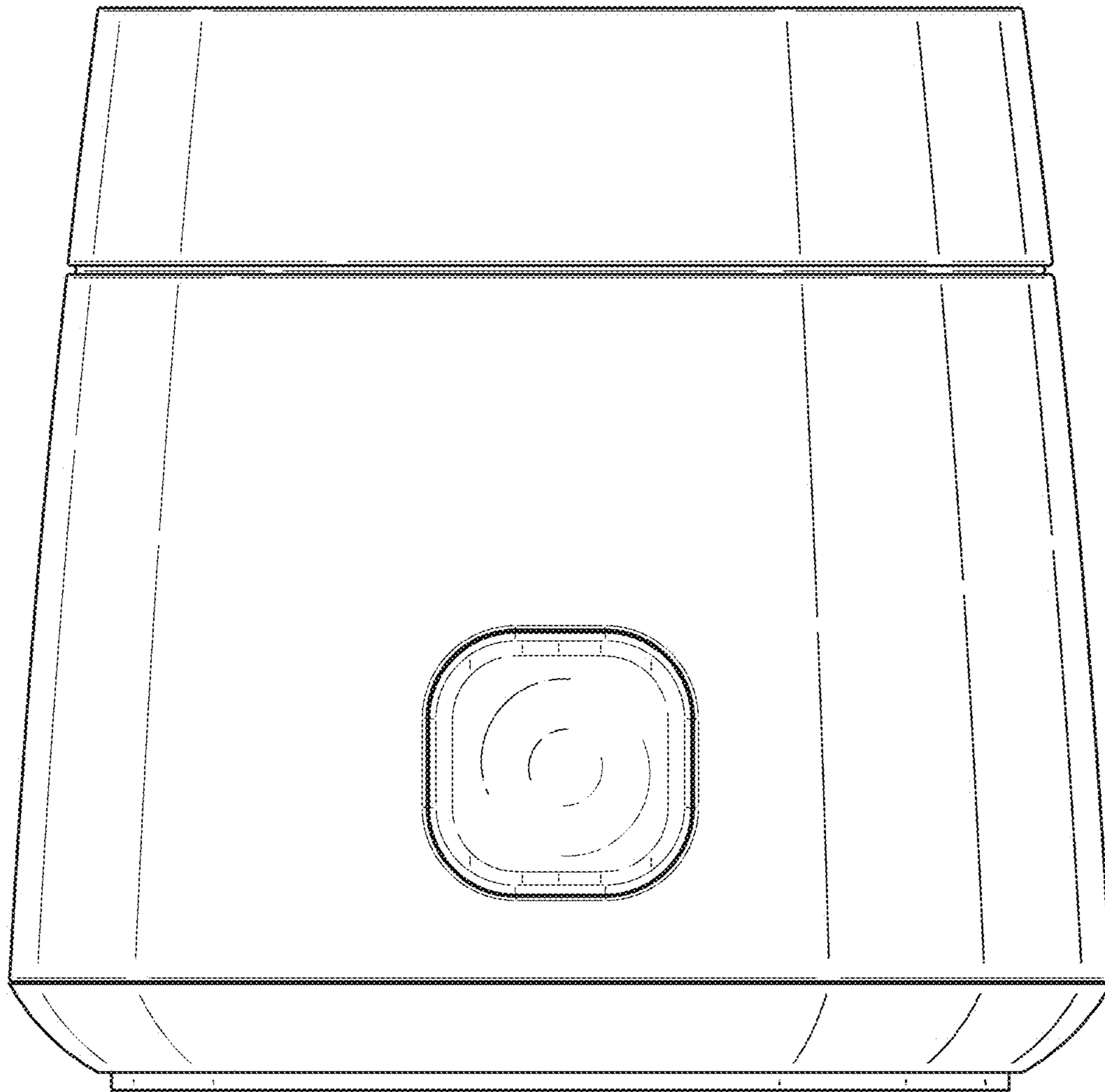


FIG. 2

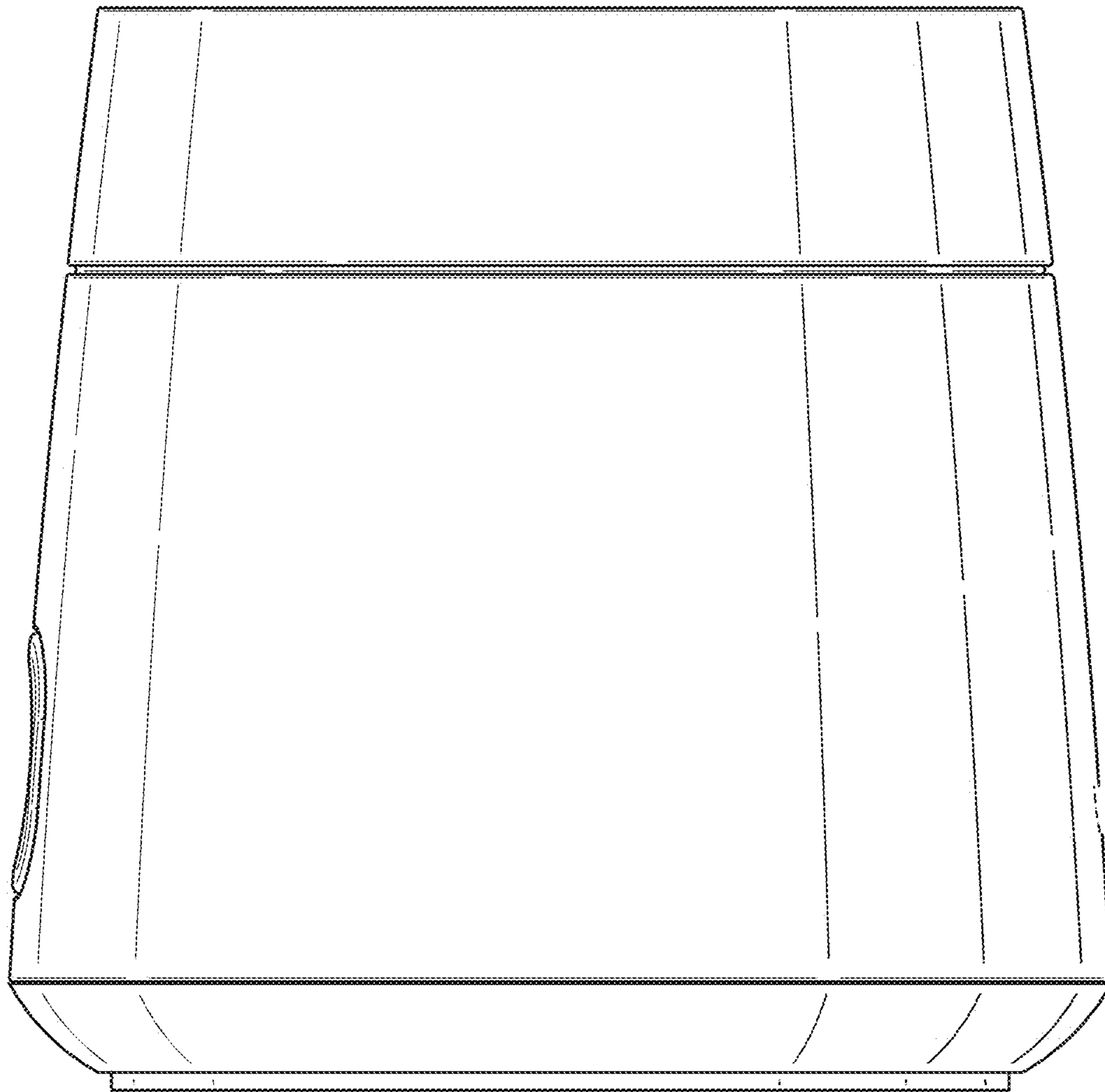


FIG. 3

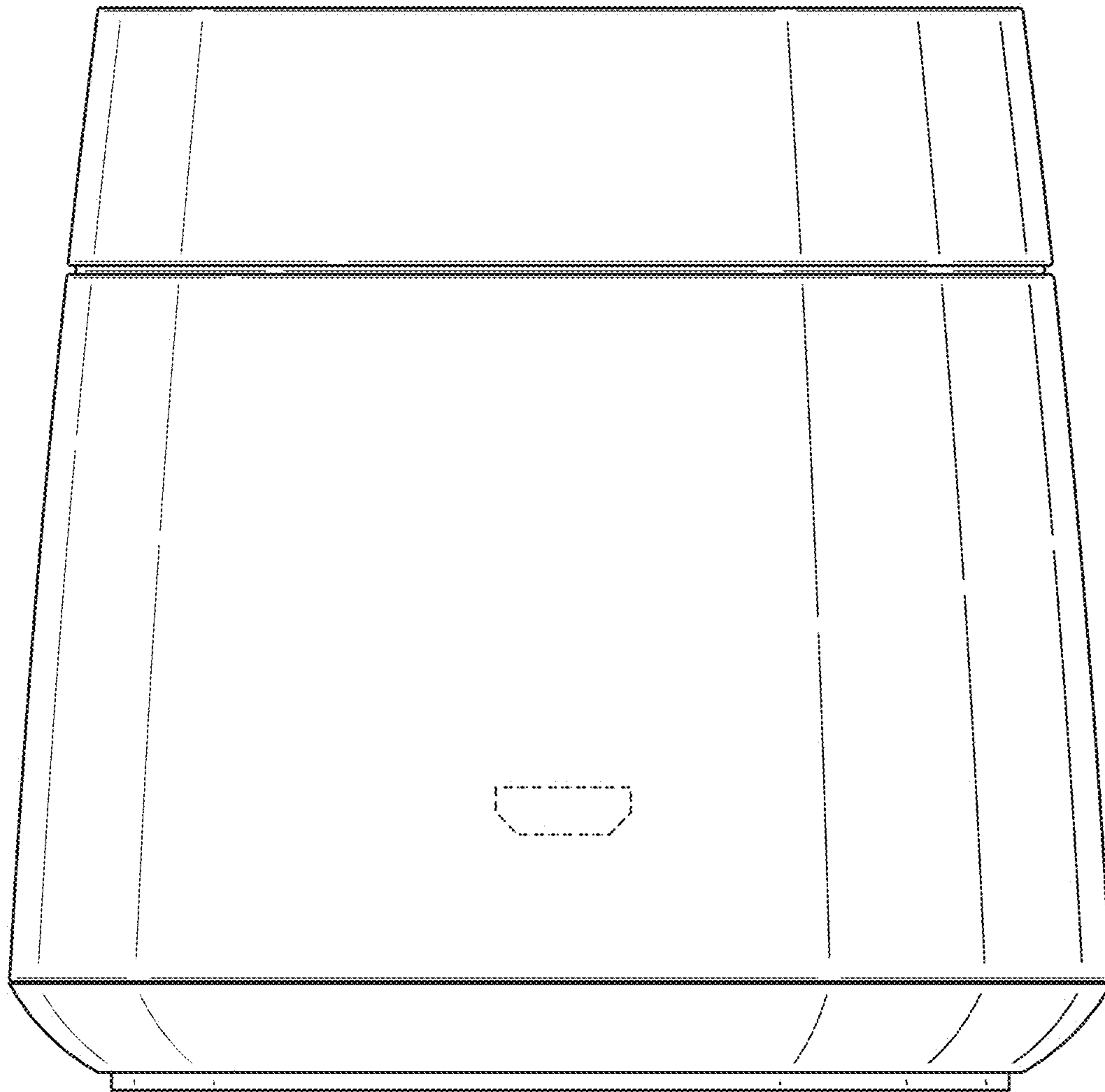


FIG. 4

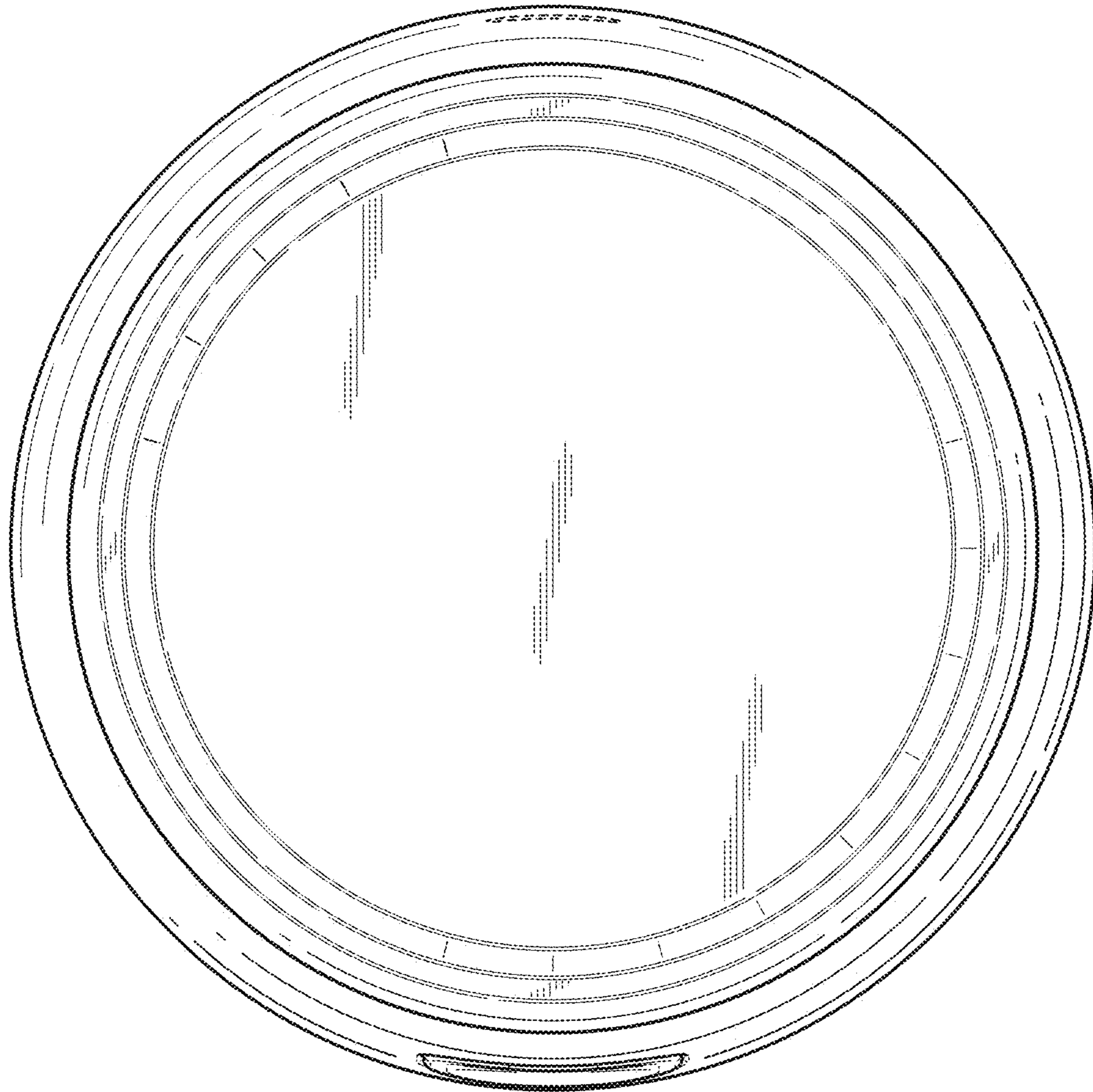


FIG. 5

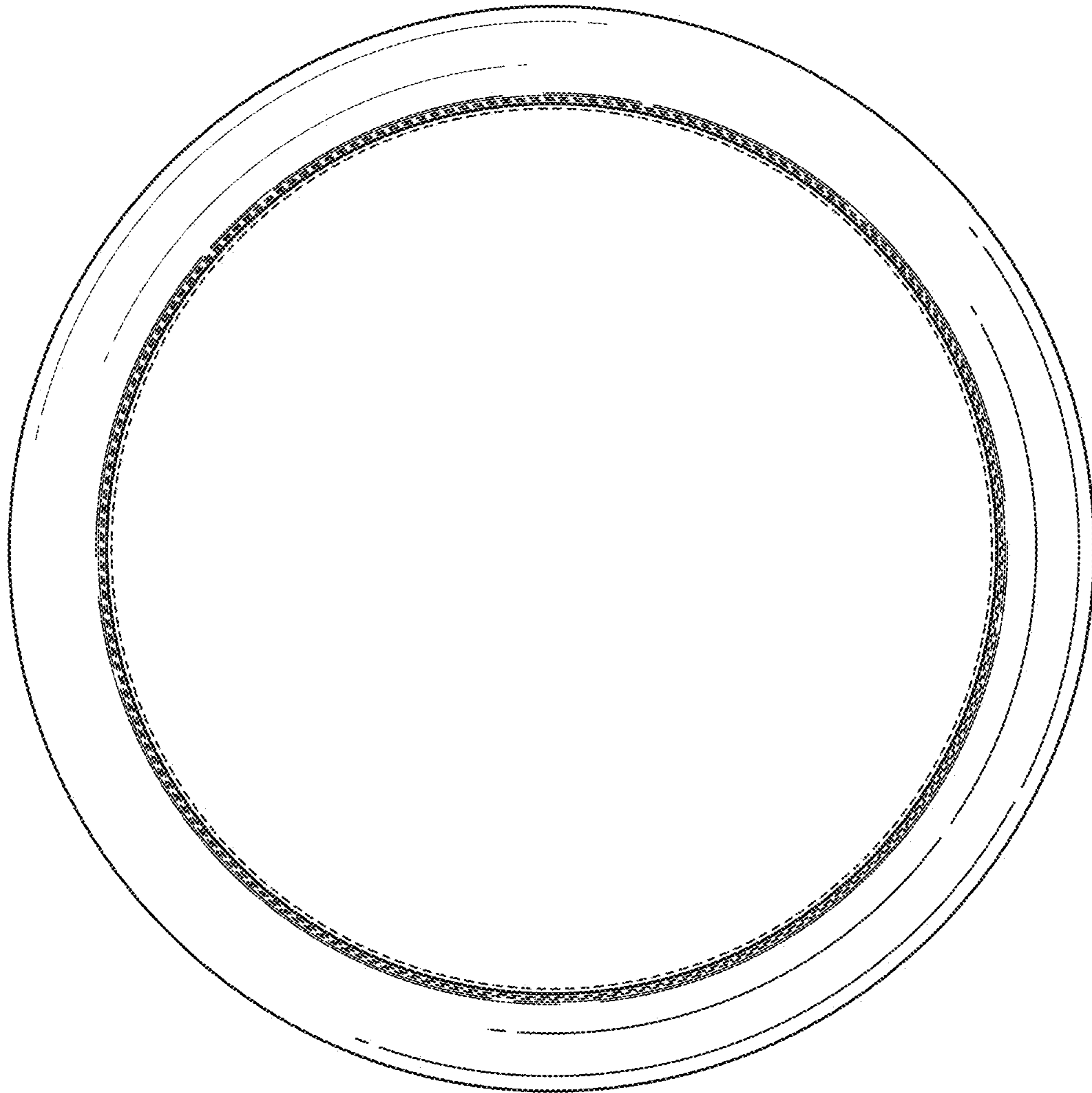


FIG. 6

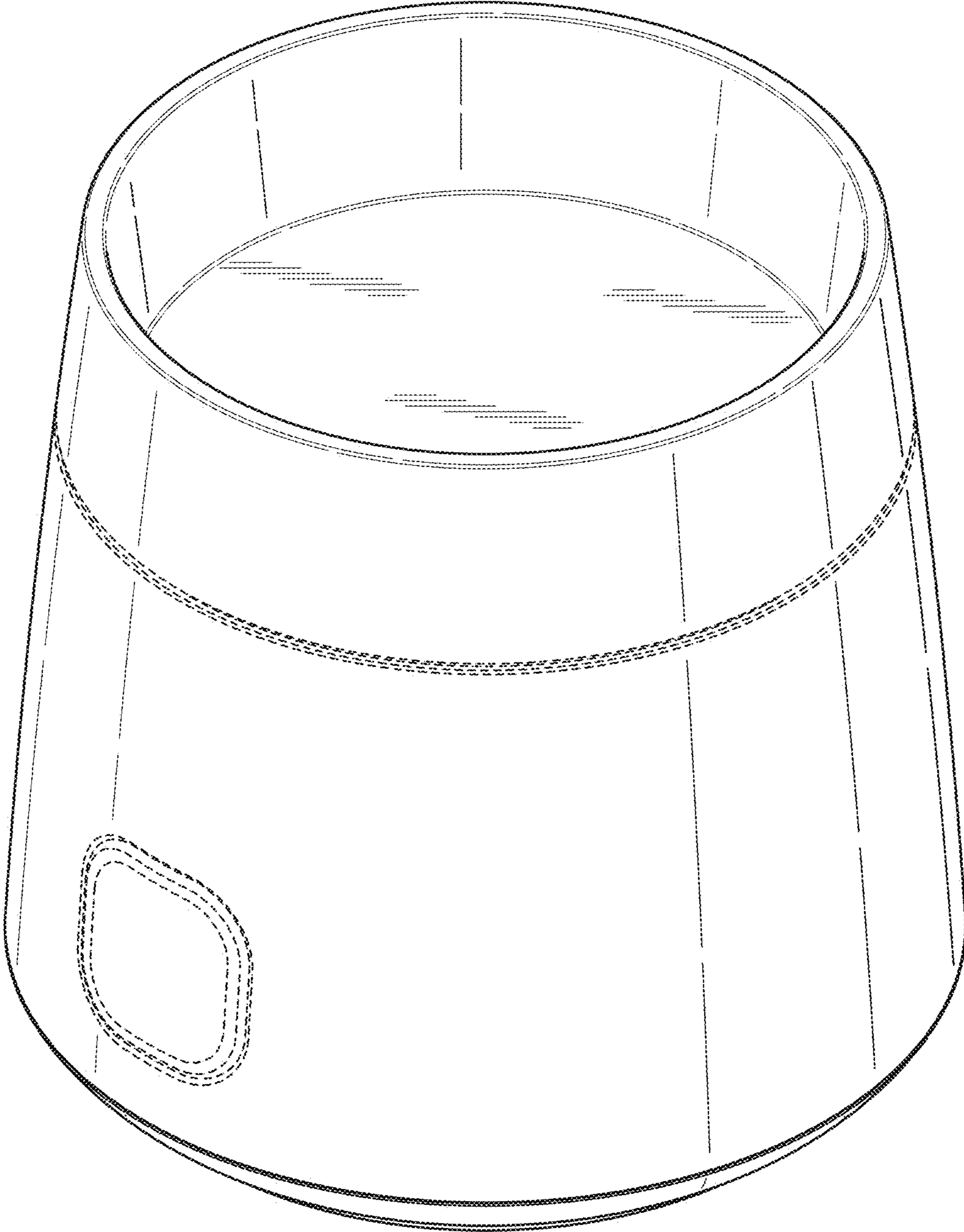


FIG. 7

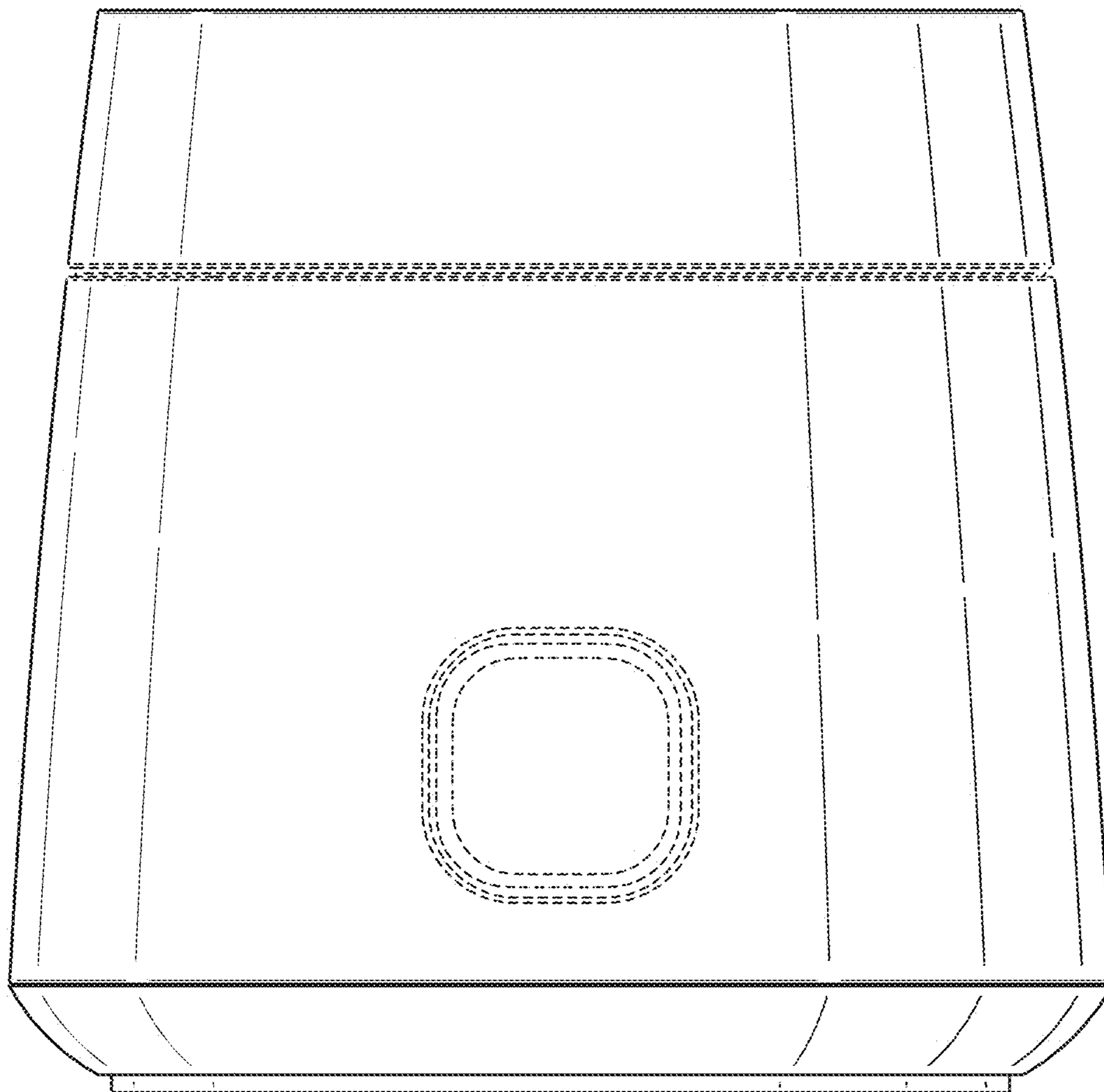


FIG. 8

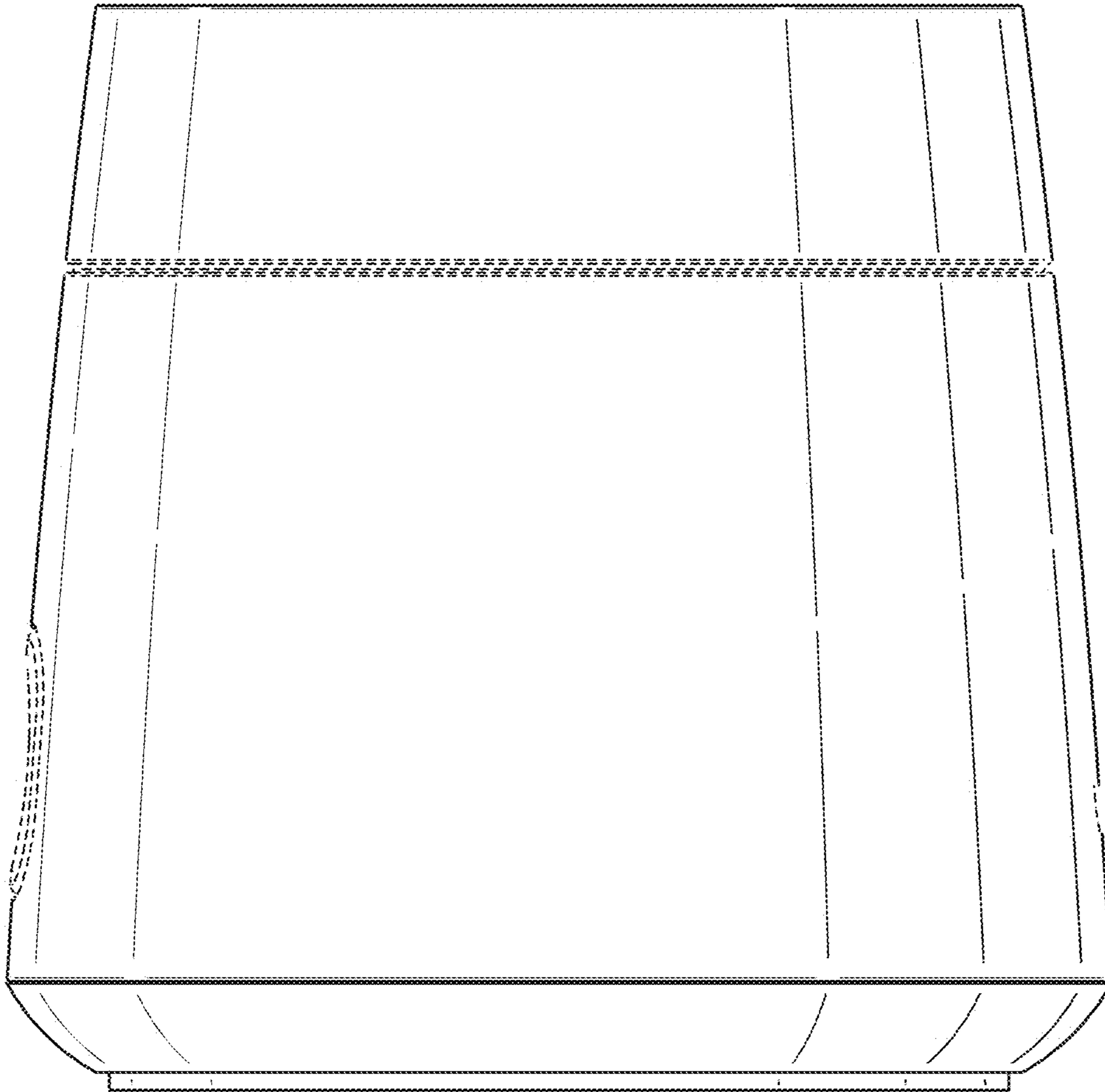


FIG. 9

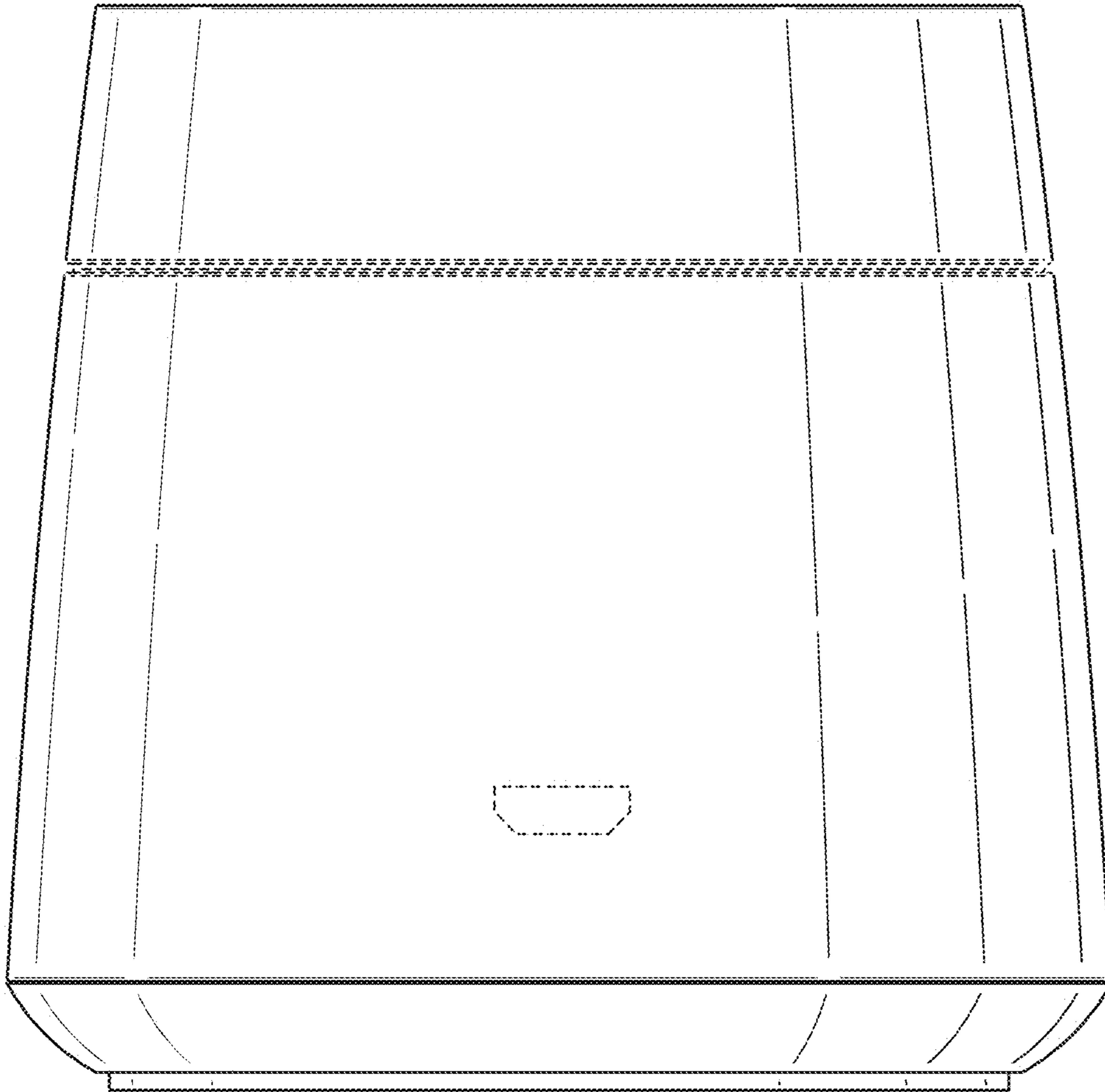


FIG. 10

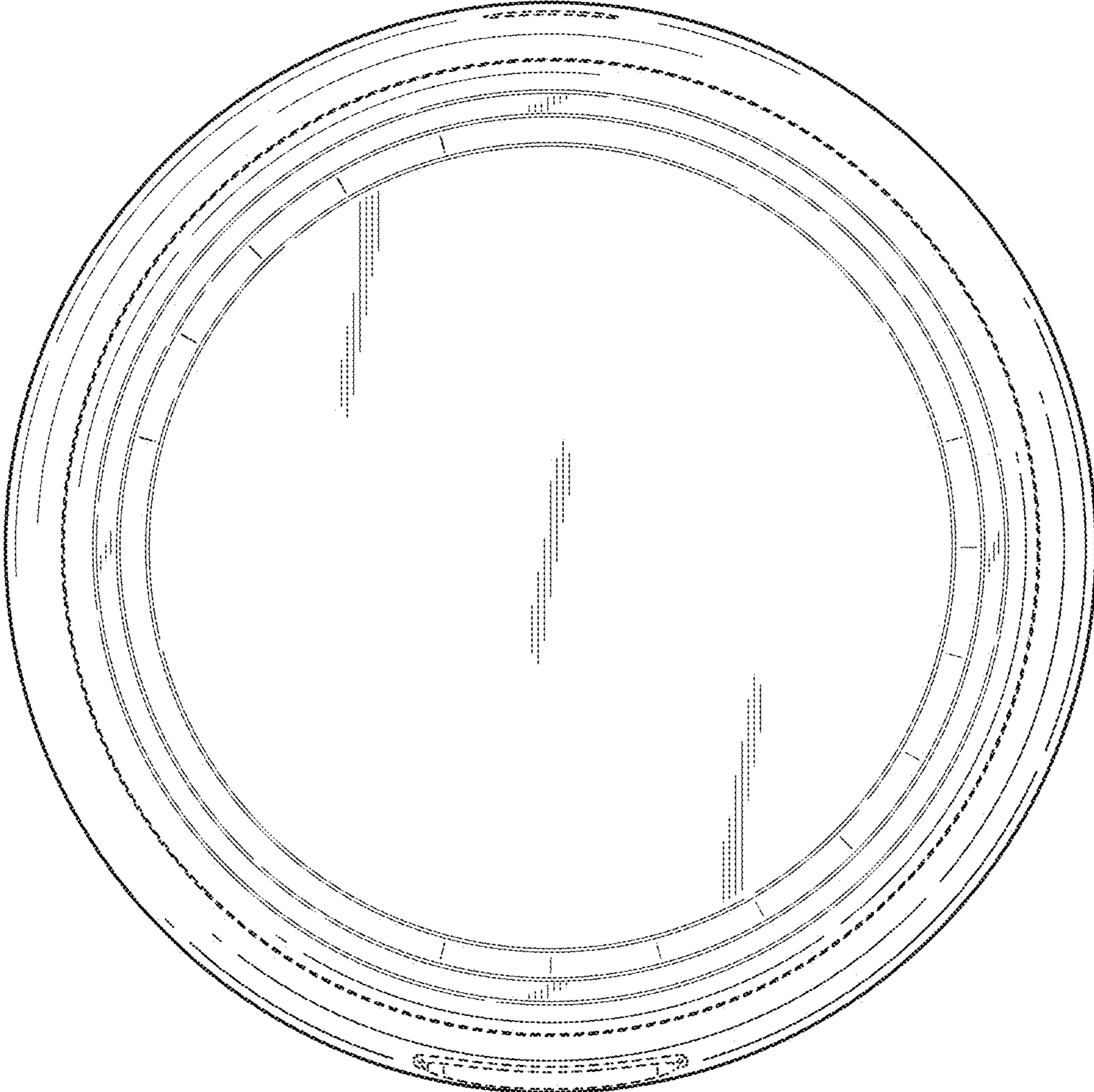


FIG. 11

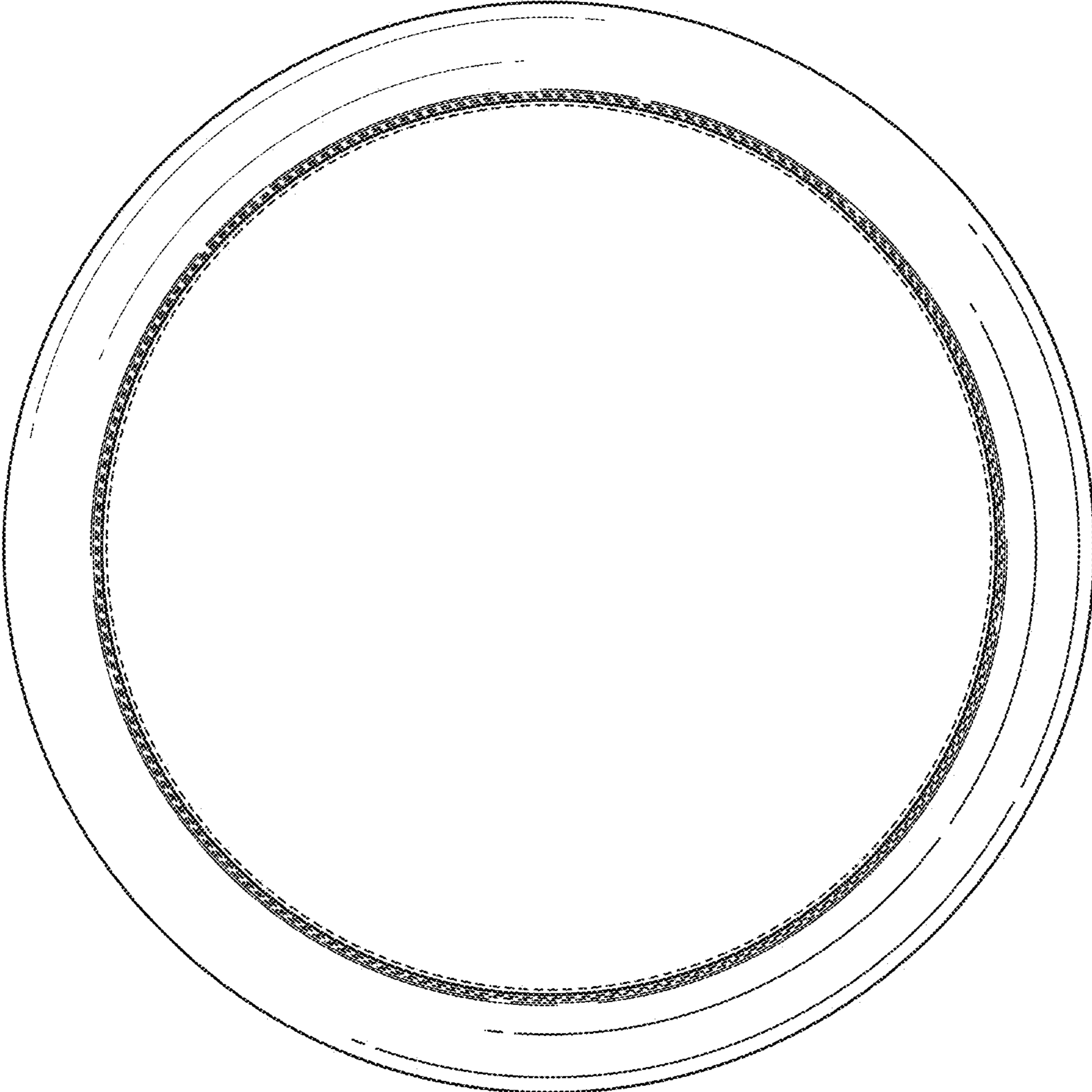


FIG. 12