



US00D879376S

(12) **United States Design Patent**  
**Zhang**

(10) **Patent No.:** **US D879,376 S**

(45) **Date of Patent:** **\*\* Mar. 24, 2020**

(54) **HAIR CLIPPER**

(71) Applicant: **KONINKLIJKE PHILIPS N.V.**,  
Eindhoven (NL)

(72) Inventor: **Mingshuo Zhang**, Eindhoven (NL)

(73) Assignee: **KONINKLIJKE PHILIPS N.V.**,  
Eindhoven (NL)

(\*\*) Term: **15 Years**

(21) Appl. No.: **29/658,239**

(22) Filed: **Jul. 30, 2018**

(30) **Foreign Application Priority Data**

Jan. 31, 2018 (EM) ..... 004687564-0007

(51) **LOC (12) Cl.** ..... **28-03**

(52) **U.S. Cl.**  
USPC ..... **D28/53**

(58) **Field of Classification Search**  
USPC ..... D28/49-54; D30/158  
CPC .... B26B 19/20-205; B26B 19/00-107; B26B  
19/12-18; B26B 19/22-24; B26B  
19/26-265; B26B 19/28-36; B26B  
19/38-48

See application file for complete search history.

(56) **References Cited**

**U.S. PATENT DOCUMENTS**

5,937,526 A \* 8/1999 Wahl ..... B26B 19/20  
30/200  
D628,745 S \* 12/2010 Dingelstad ..... D28/53

D637,760 S \* 5/2011 Tasar ..... D28/53  
D651,747 S \* 1/2012 Nitsch ..... D28/53  
D698,084 S \* 1/2014 Yoon ..... D28/53  
D722,200 S \* 2/2015 Nitsch ..... D28/53  
D722,723 S \* 2/2015 Nitsch ..... D28/53  
9,434,078 B2 \* 9/2016 Julemont ..... B26B 19/20  
D771,314 S \* 11/2016 Andersson ..... D28/53  
D823,543 S \* 7/2018 Smith ..... D28/53  
10,029,377 B2 \* 7/2018 Zijlstra ..... B26B 19/20  
10,293,500 B1 \* 5/2019 Baker ..... B26B 19/20  
2017/0072577 A1 \* 3/2017 Darwinkel ..... B26B 19/20  
2017/0305020 A1 \* 10/2017 Darwinkel ..... B26B 19/20  
2017/0341245 A1 \* 11/2017 Nayna ..... B26B 19/20  
2018/0222068 A1 \* 8/2018 Halmut ..... B26B 19/20  
2018/0370050 A1 \* 12/2018 Janssen ..... B26B 19/388  
2019/0009418 A1 \* 1/2019 Baltussen ..... B26B 19/3826

\* cited by examiner

*Primary Examiner* — Jennifer Rivard

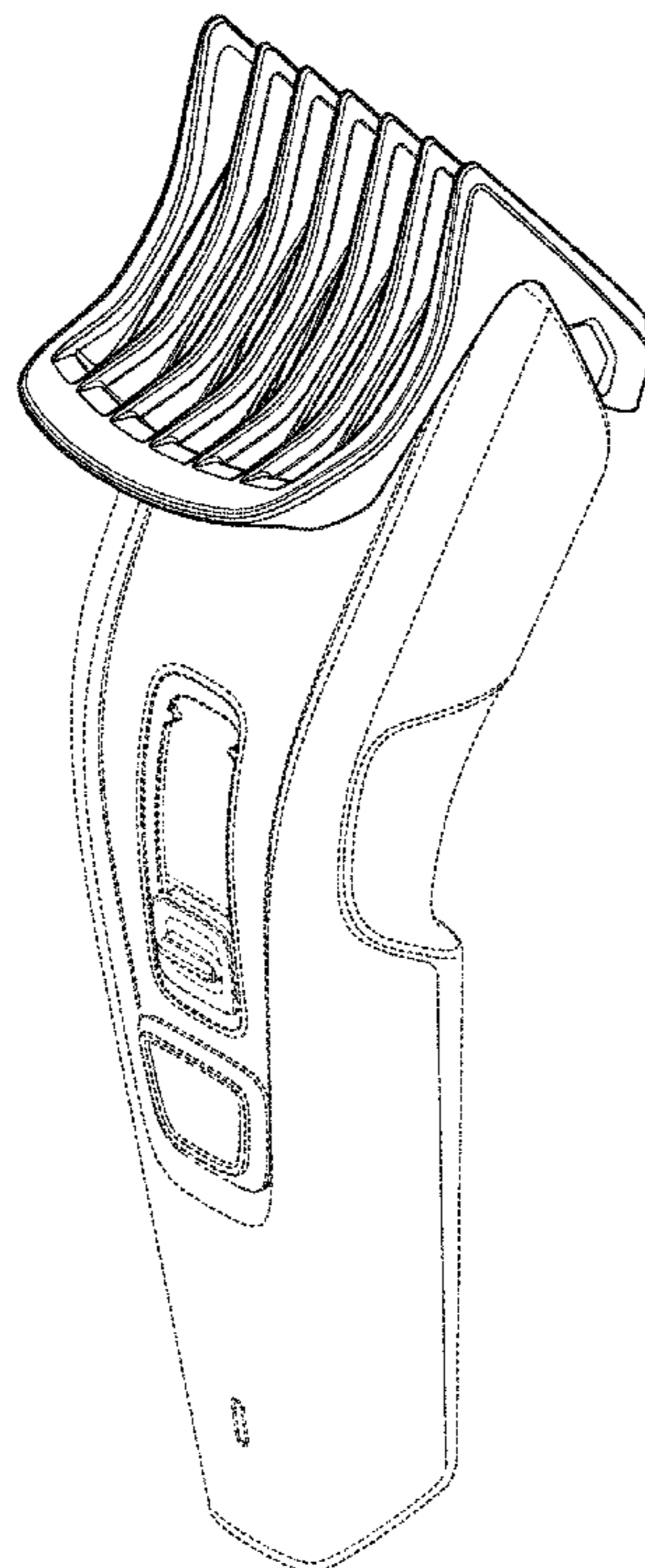
(57) **CLAIM**

I claim the ornamental design for a hair clipper, as shown and described.

**DESCRIPTION**

FIG. 1 is a perspective view showing my design;  
FIG. 2 is a front elevational view thereof;  
FIG. 3 is a rear elevational view thereof;  
FIG. 4 is a right side elevational view thereof;  
FIG. 5 is a left side elevational view thereof;  
FIG. 6 is a top plan view thereof; and,  
FIG. 7 is a bottom plan view thereof.  
The broken lines illustrate portions of the hair clipper that form no part of the claimed design.

**1 Claim, 5 Drawing Sheets**



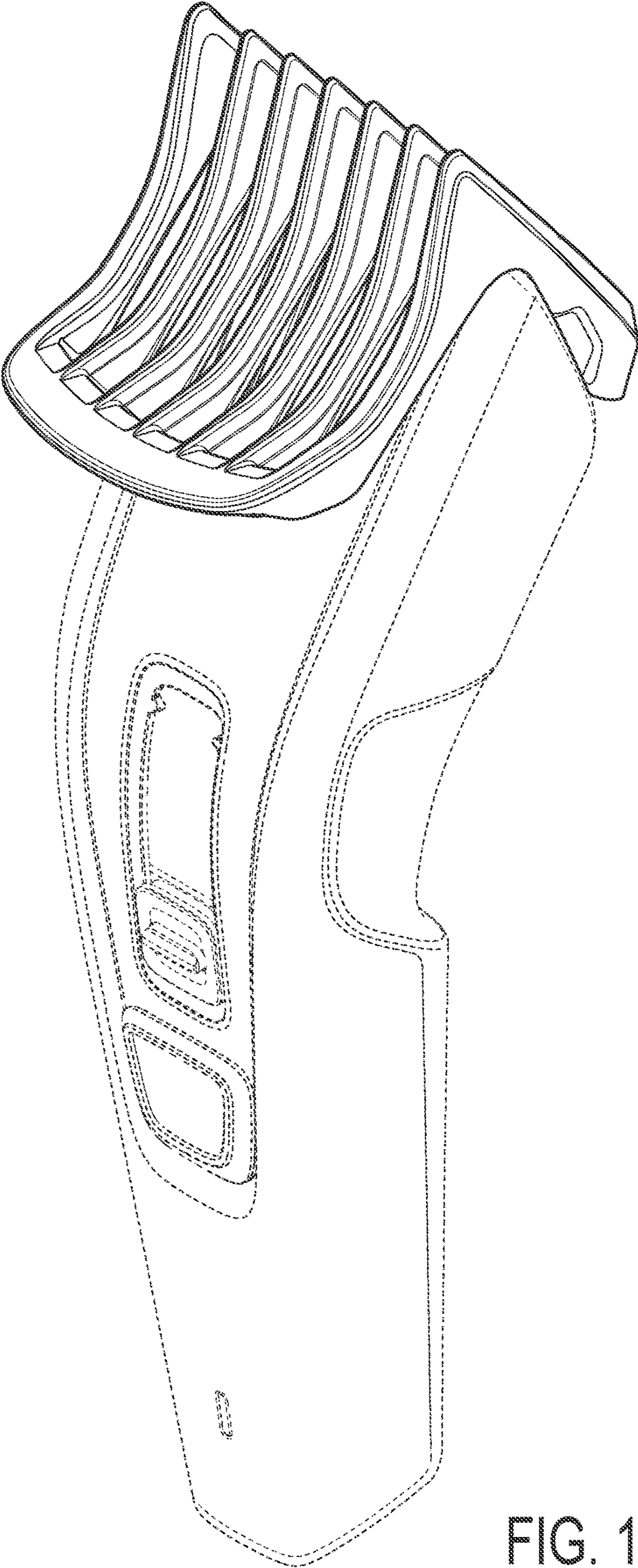


FIG. 1



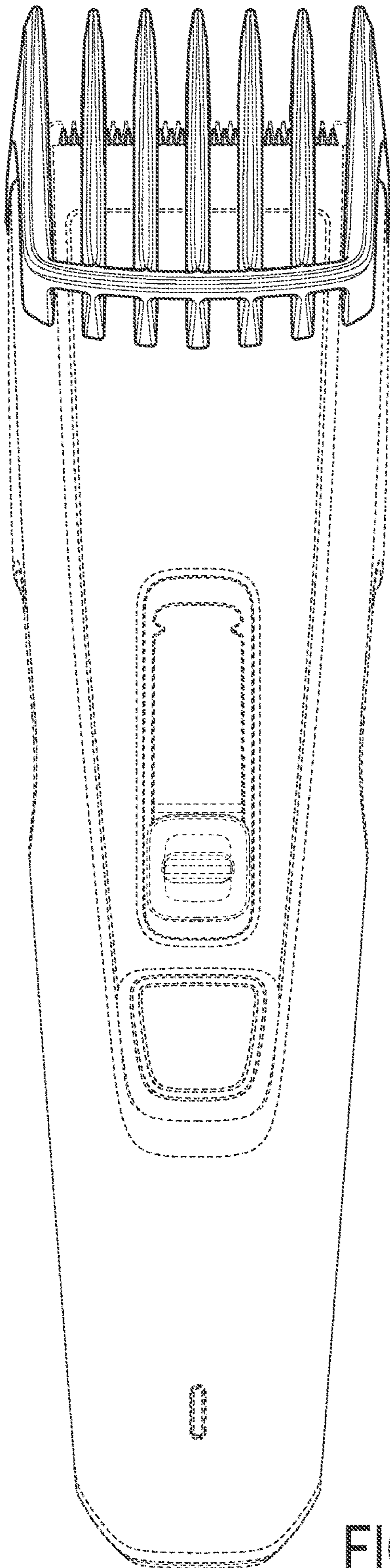


FIG. 2

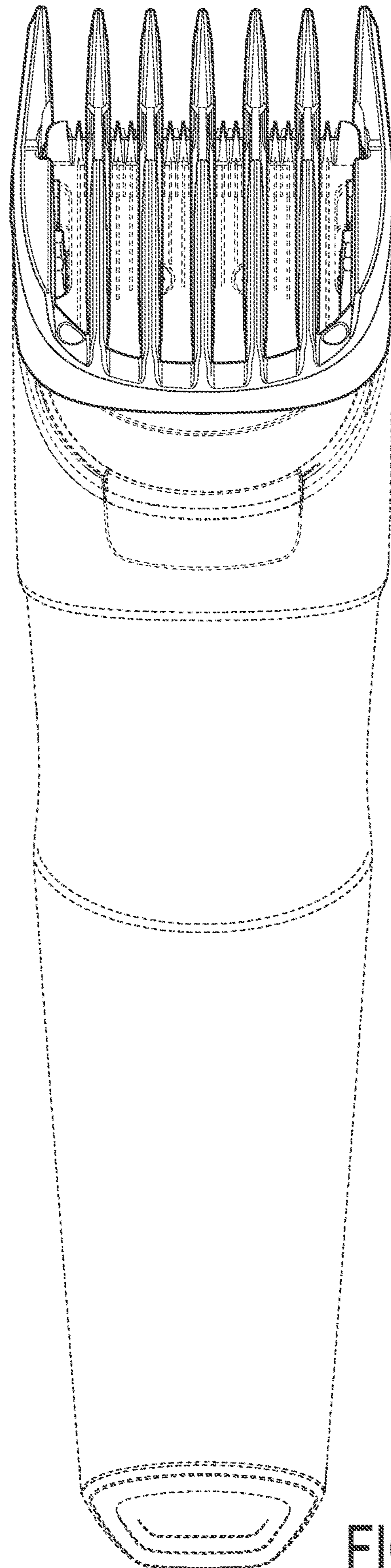


FIG. 3

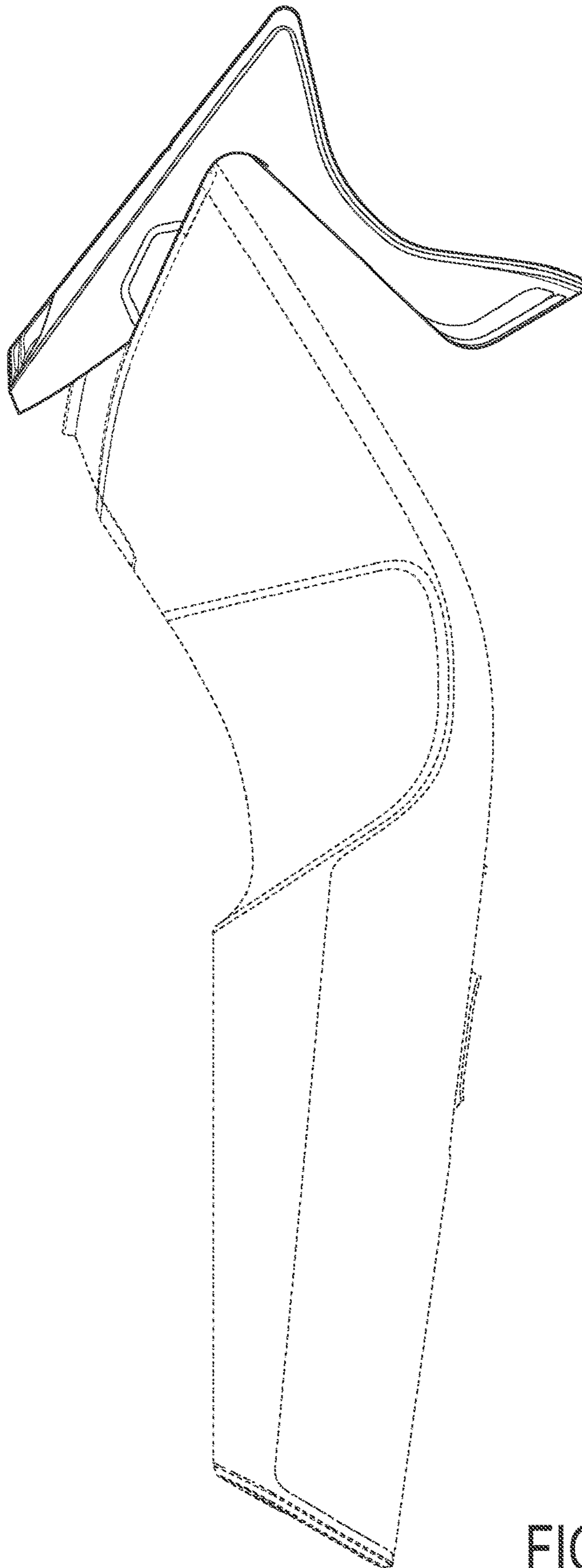


FIG. 4

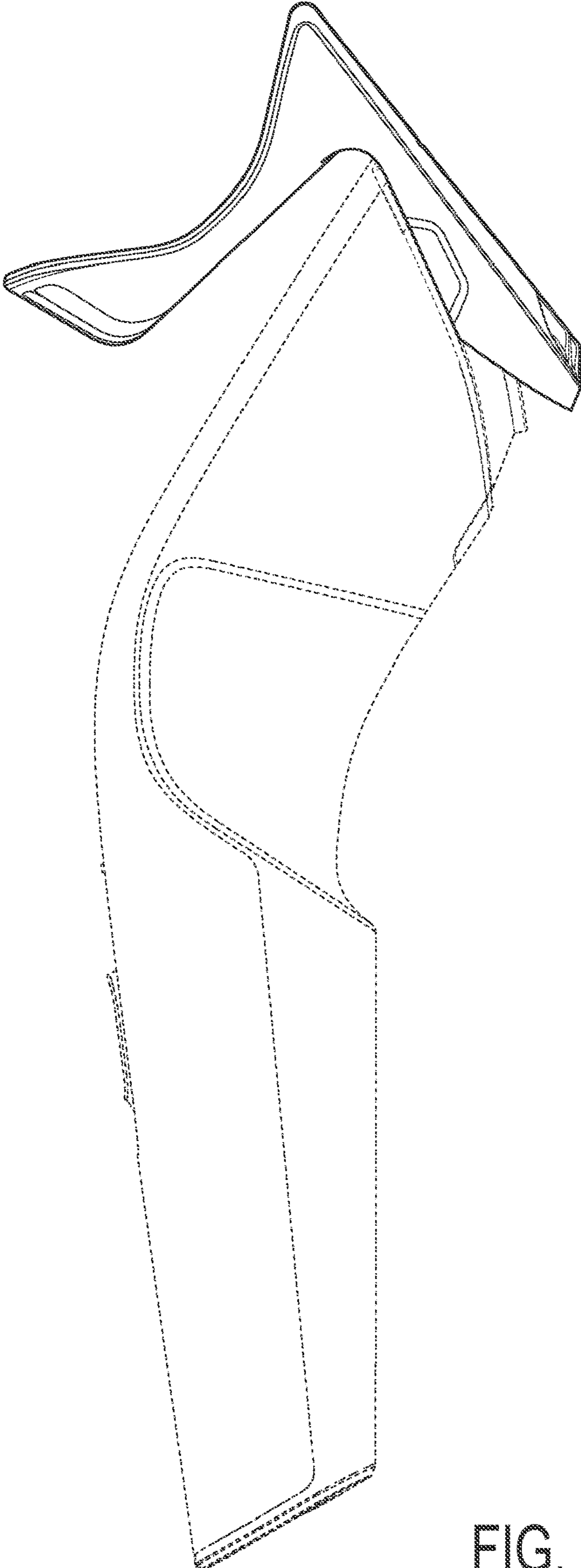


FIG. 5



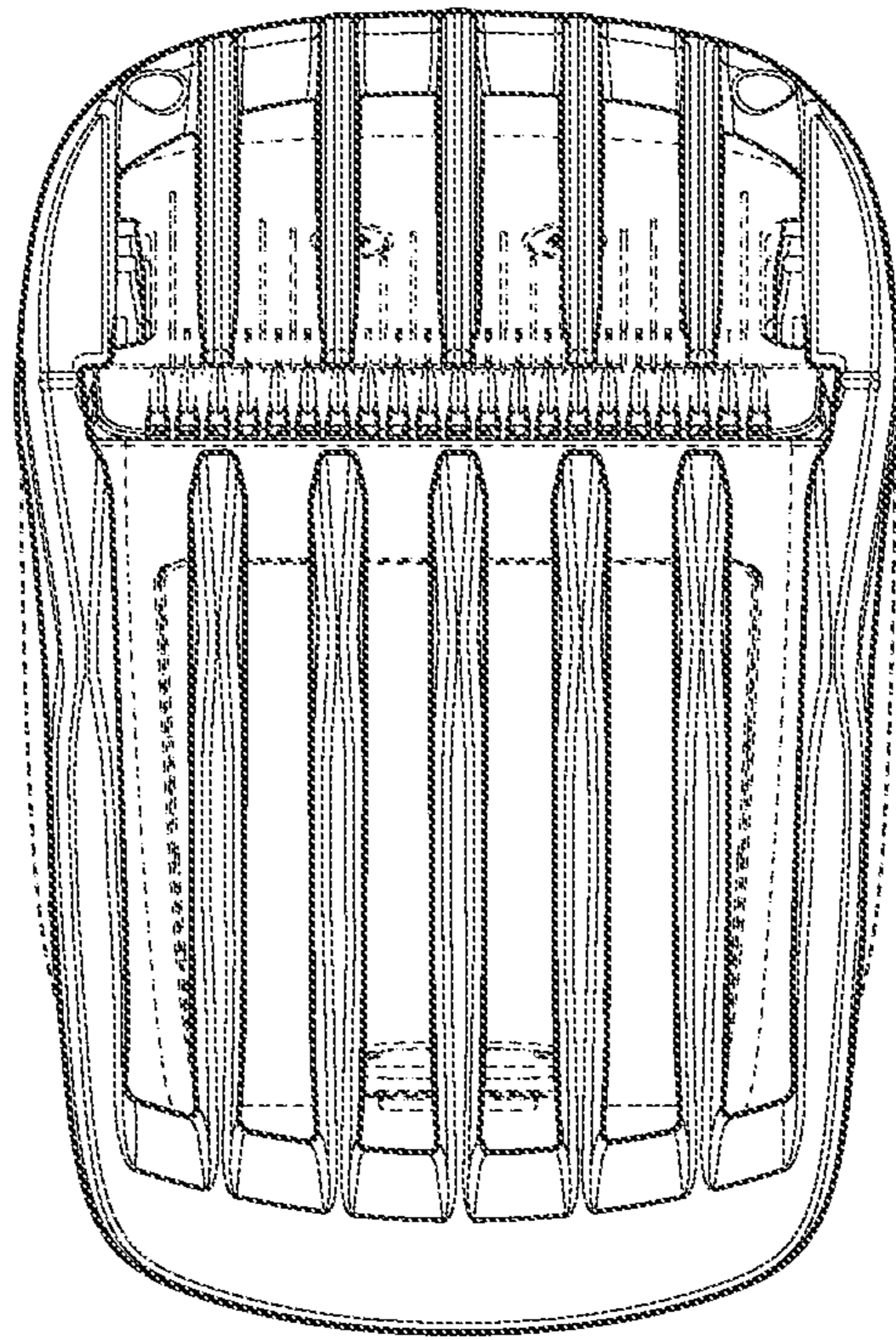


FIG. 6

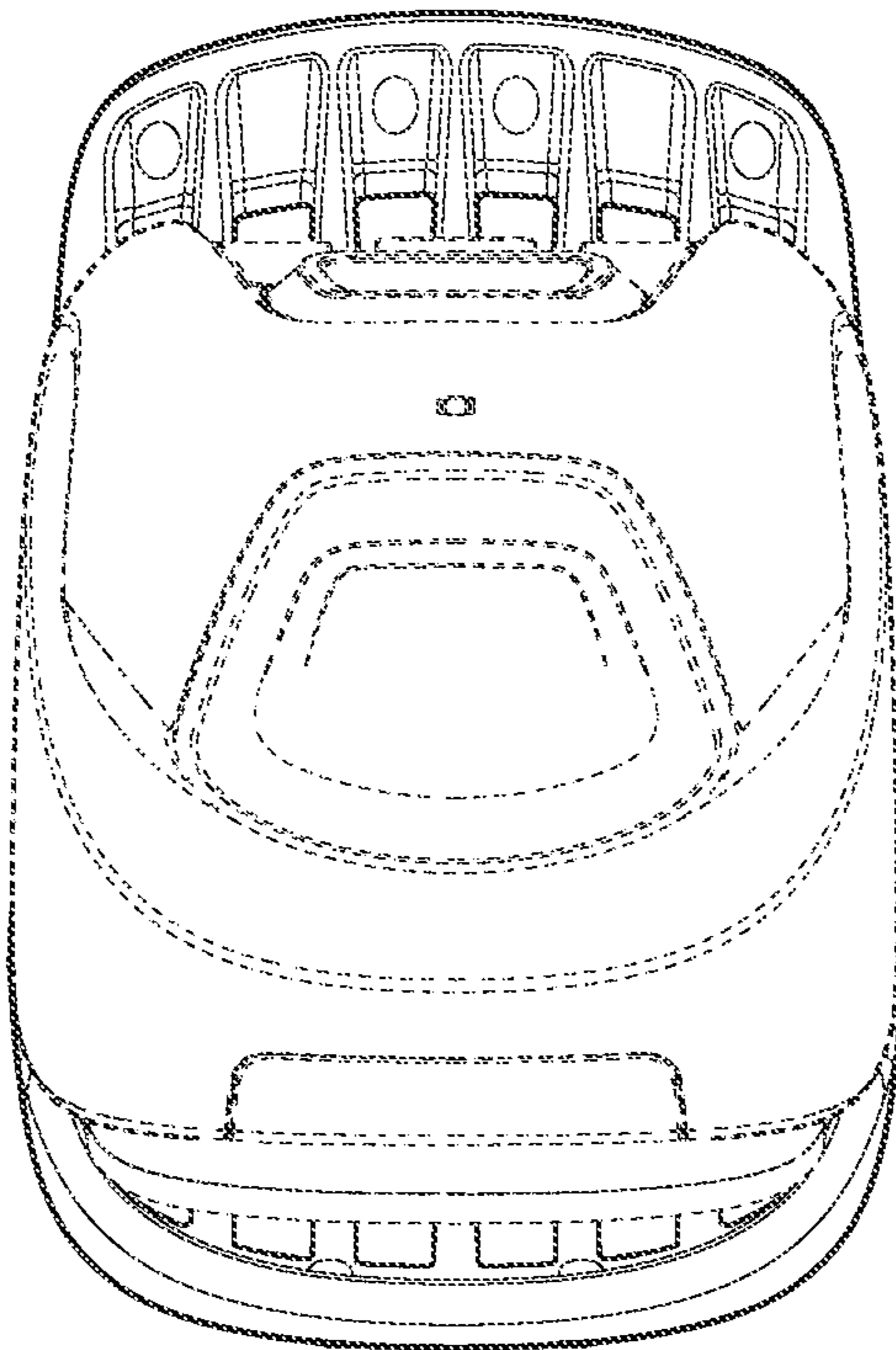


FIG. 7