



US00D879375S

(12) **United States Design Patent**
Go et al.

(10) **Patent No.:** **US D879,375 S**
(45) **Date of Patent:** **** Mar. 24, 2020**

(54) **RAZOR HANDLE**

(71) Applicant: **DORCO CO., LTD.**, Seoul (KR)

(72) Inventors: **Woogyeong Go**, Seoul (KR); **Hyosun Ahn**, Seoul (KR); **Namyoon Kong**, Seoul (KR)

(73) Assignee: **DORCO CO., LTD.**, Seoul (KR)

(**) Term: **15 Years**

(21) Appl. No.: **29/660,293**

(22) Filed: **Aug. 20, 2018**

(30) **Foreign Application Priority Data**

Feb. 20, 2018 (KR) 30-2018-0008482

(51) **LOC (12) Cl.** **28-03**

(52) **U.S. Cl.**
USPC **D28/48**

(58) **Field of Classification Search**
USPC D28/46-48, 49-51
CPC ... B26B 21/00; B26B 21/08; B26B 21/14-38;
B26B 21/40; B26B 21/4006; B26B
21/4012-4031; B26B 21/4037; B26B
21/405-4056; B26B 21/4062; B26B
21/4068-4075; B26B 21/48; B26B
21/52-528

See application file for complete search history.

(56) **References Cited**

U.S. PATENT DOCUMENTS

D700,995 S * 3/2014 Lee D28/48
D768,929 S * 10/2016 Go D28/48

D802,212 S * 11/2017 Bae D28/48
D813,456 S * 3/2018 Christofidellis D28/48
D822,901 S * 7/2018 Shin D28/48
D822,902 S * 7/2018 Shin D28/48
D823,541 S * 7/2018 Wertz D28/46
D824,102 S * 7/2018 Go D28/48
D827,201 S * 8/2018 Go D28/48
D829,993 S * 10/2018 Hage D28/48
D842,543 S * 3/2019 Ramm D28/48
2018/0370052 A1 * 12/2018 Zaremba B26B 21/528

* cited by examiner

Primary Examiner — Jennifer Rivard

(74) *Attorney, Agent, or Firm* — Lee, Hong, Degerman,
Kang & Waimey

(57) **CLAIM**

The ornamental design for a razor handle, as shown and described.

DESCRIPTION

FIG. 1 is a front perspective view of a razor handle showing the new design;

FIG. 2 is a front view thereof;

FIG. 3 is a rear view thereof;

FIG. 4 is a right side view thereof;

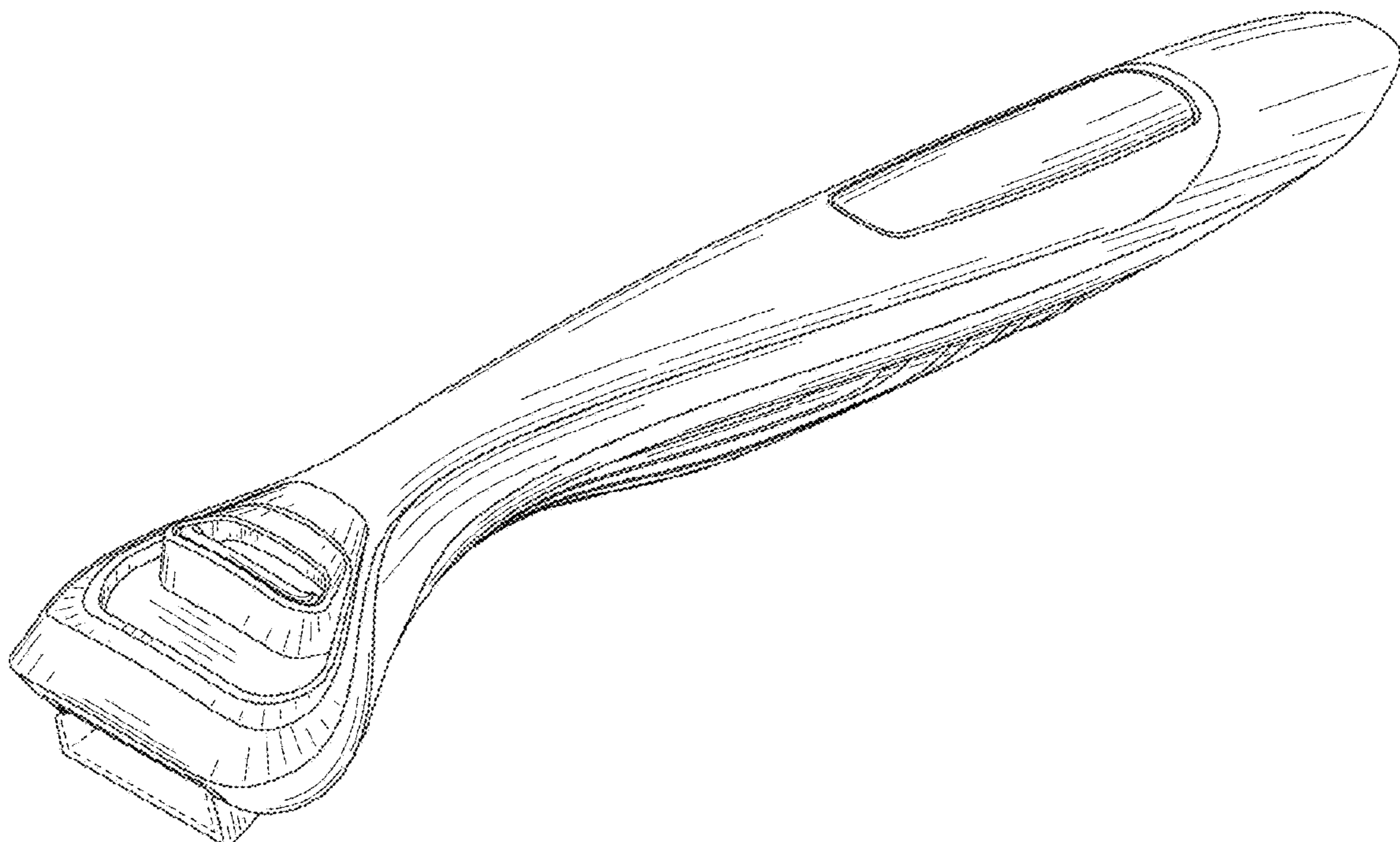
FIG. 5 is a left side view thereof;

FIG. 6 is a top view thereof; and,

FIG. 7 is a bottom view thereof.

The broken lines that are immediately adjacent the contour lines in FIGS. 1, 2, and 7 illustrate the bounds of the claim. The broken lines shown within the opening in FIG. 1 illustrate a portion of the razor handle. None of the broken line disclosure forms part of the claimed design.

1 Claim, 4 Drawing Sheets



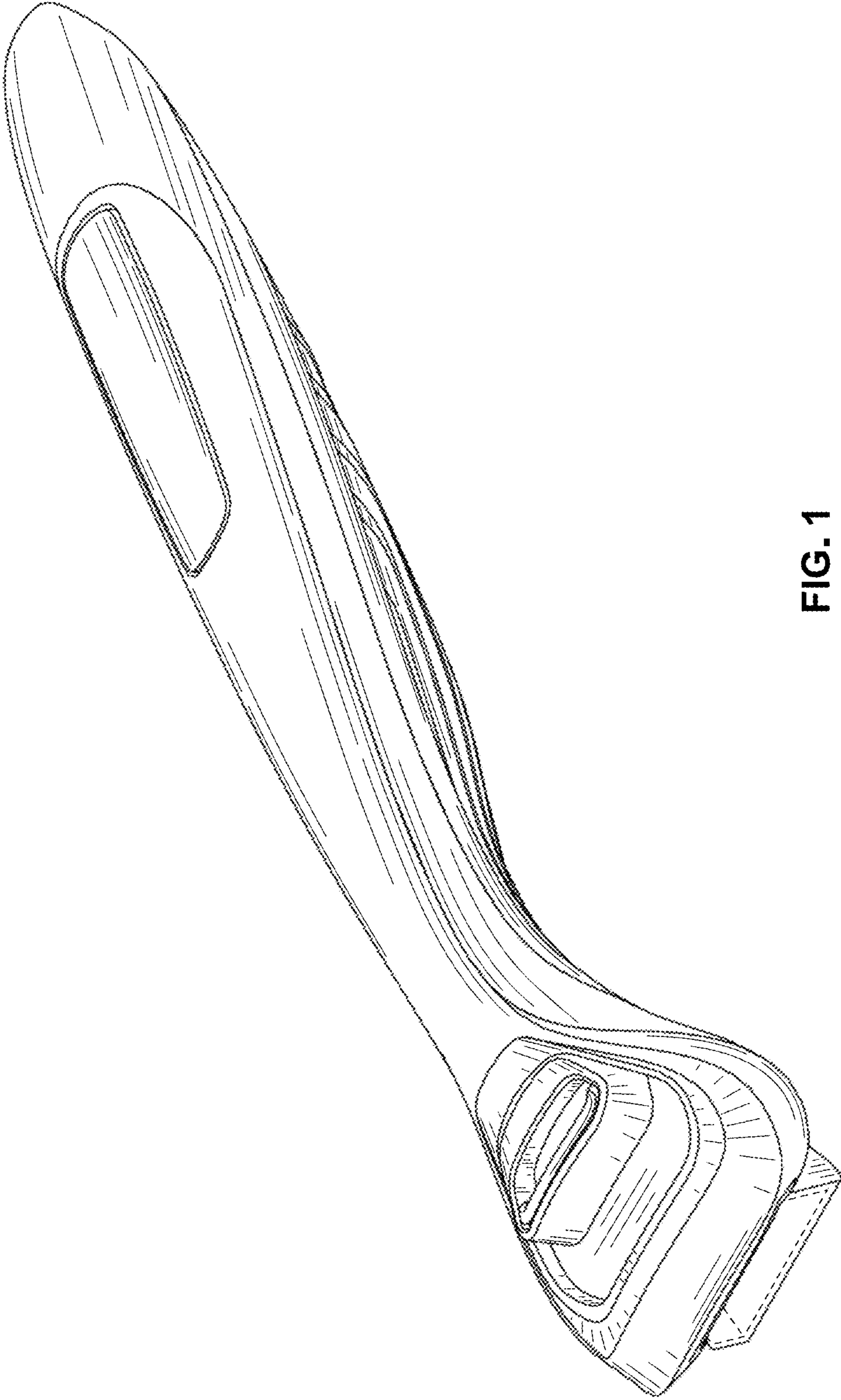


FIG. 1

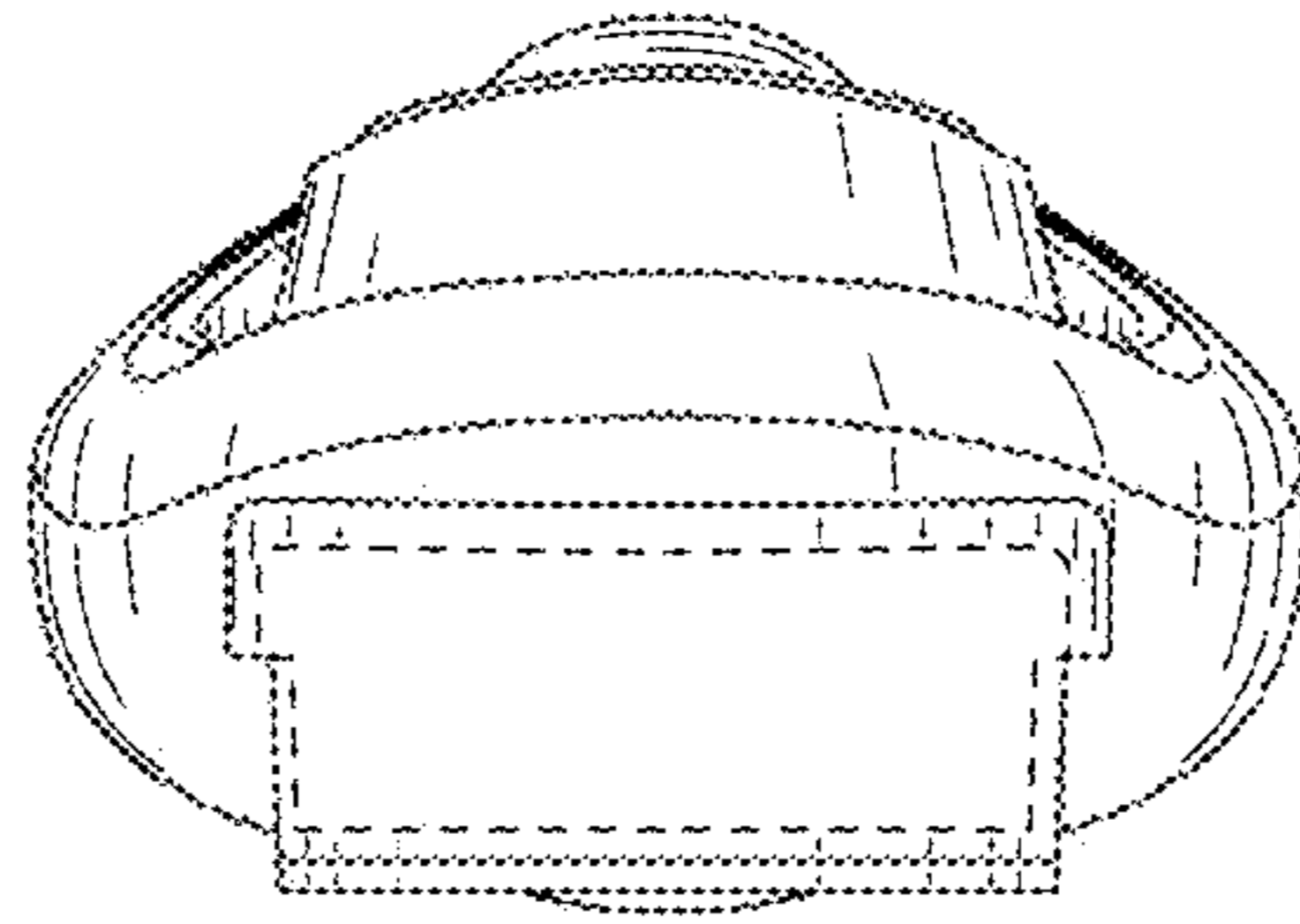


FIG. 2

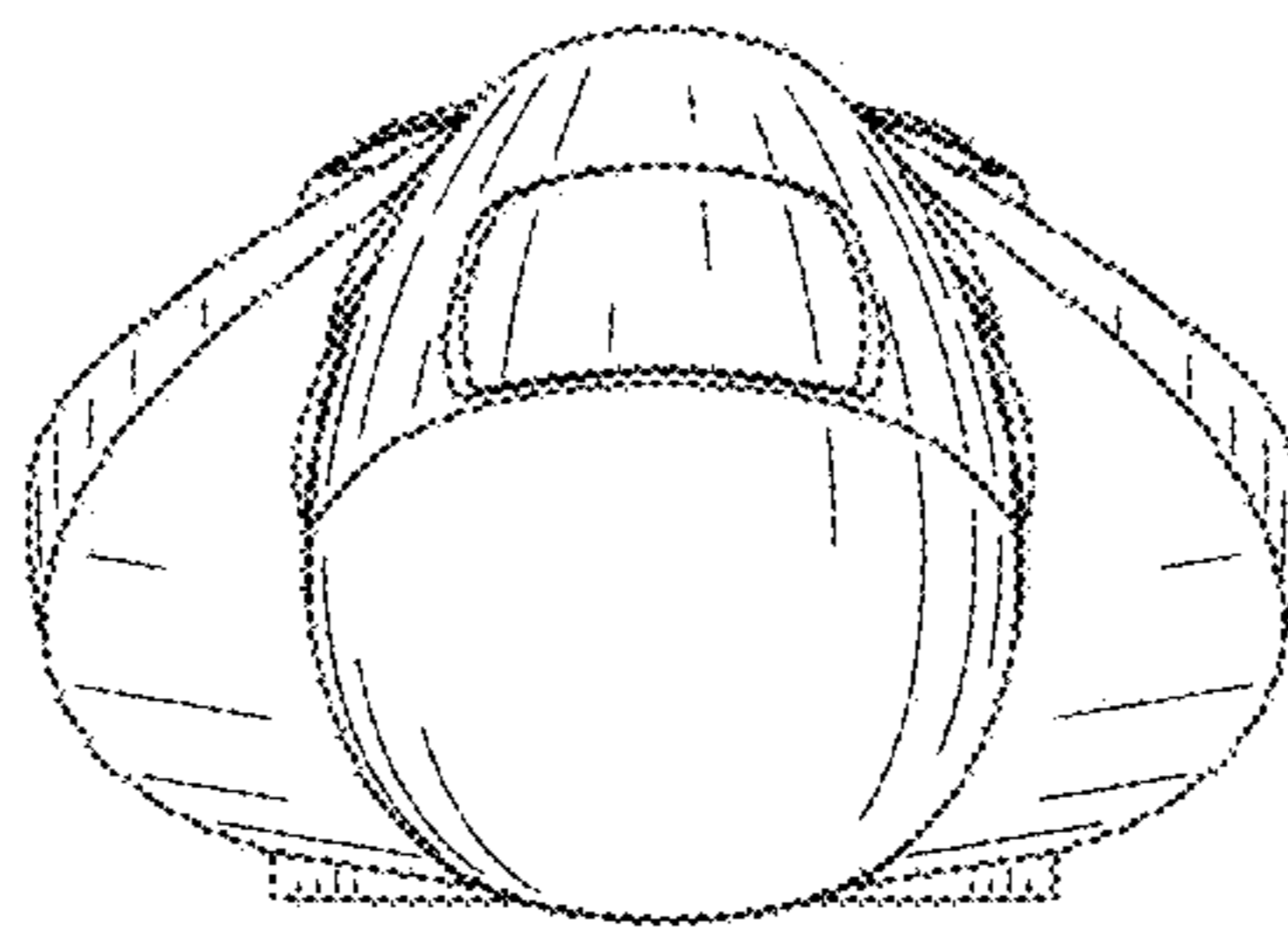


FIG. 3

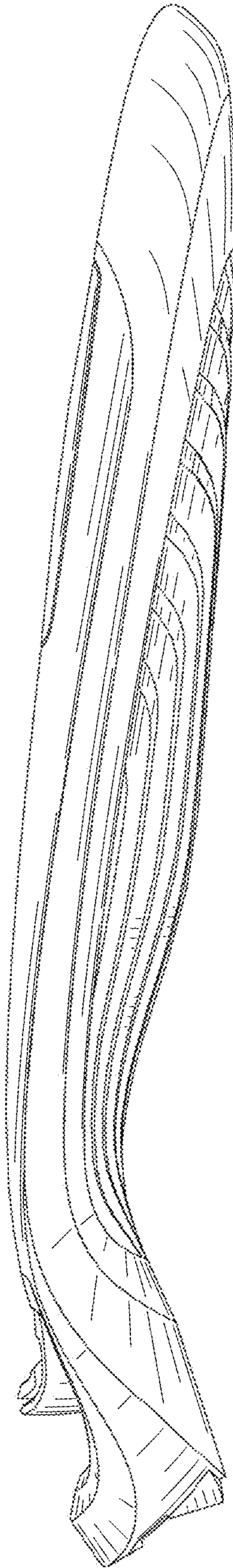


FIG. 4

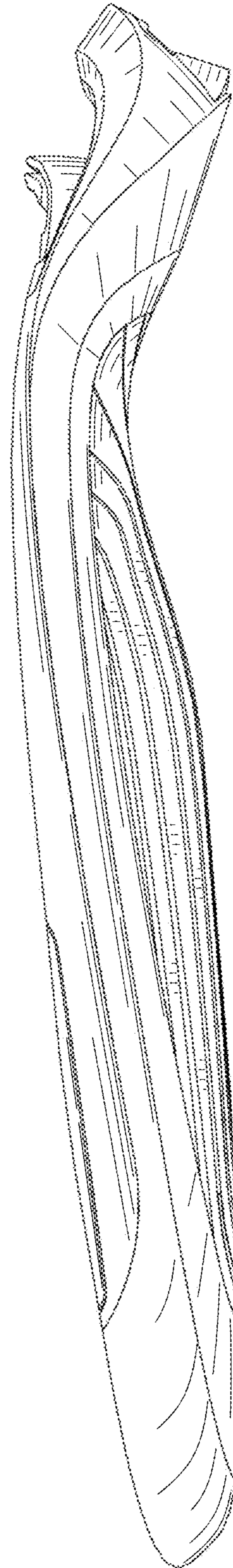


FIG. 5

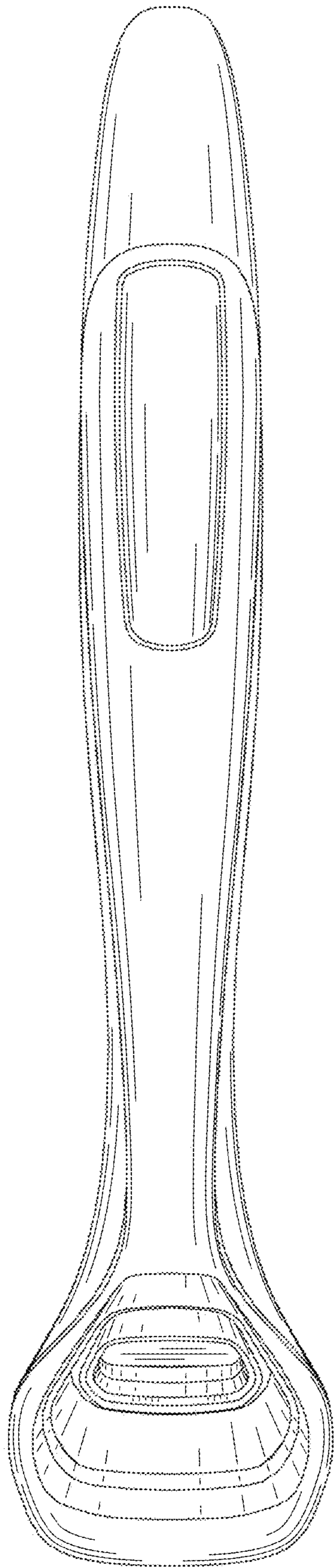


FIG. 6

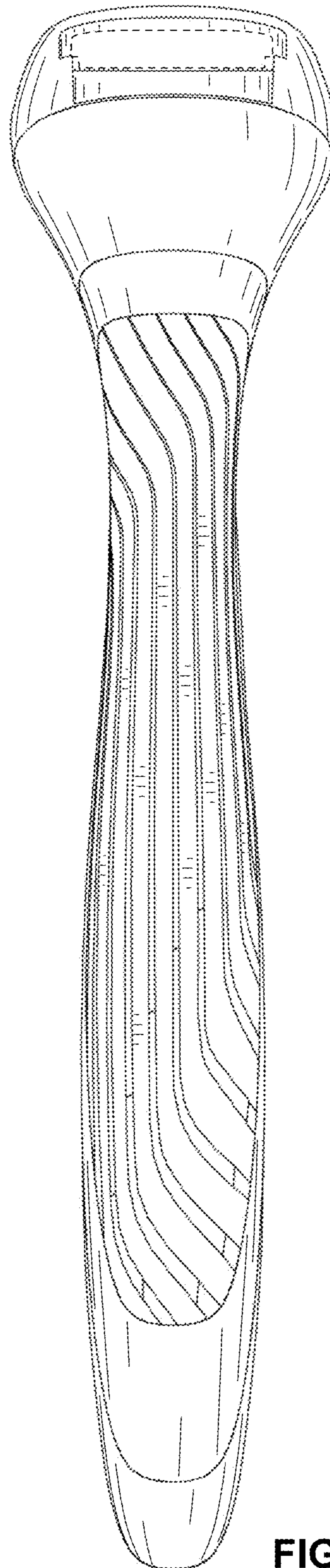


FIG. 7