



US00D879372S

(12) **United States Design Patent**
Hoch et al.

(10) **Patent No.:** **US D879,372 S**
(45) **Date of Patent:** **** Mar. 24, 2020**

(54) **SMOKING APPARATUS**

(71) Applicant: **Eyce LLC**, Colorado Springs, CO (US)
(72) Inventors: **Charles V. Hoch**, Colorado Springs, CO (US); **Bruce A. Hoch**, Colorado Springs, CO (US)
(73) Assignee: **Eyce LLC**, Bend, OR (US)

(**) Term: **15 Years**

(21) Appl. No.: **29/604,099**

(22) Filed: **May 15, 2017**

(51) **LOC (12) Cl.** **27-02**

(52) **U.S. Cl.**
USPC **D27/163**

(58) **Field of Classification Search**
USPC D27/162-169; 131/195, 196, 199.216, 131/220, 328-330
CPC ... D24F 1/00; D24F 1/02; D24F 1/122; A24F 5/00; A24F 5/08
See application file for complete search history.

(56) **References Cited**

U.S. PATENT DOCUMENTS

D2,505 S	11/1866	Harry
214,586 A	4/1879	Reidel
895,626 A	8/1908	Geltz
945,973 A	1/1910	Miles et al.
D54,831 S	4/1920	Campbell
1,881,793 A	10/1932	Mariani
1,967,438 A	7/1934	Hartzes
1,987,407 A	1/1935	McAllister
2,040,704 A	5/1936	Modine

(Continued)

FOREIGN PATENT DOCUMENTS

CN	3477237 D	9/2005
CN	302343695	3/2013

(Continued)

OTHER PUBLICATIONS

Eyce Silicone Rig with Nail and Tool by Utopia, dated 2018, found online [Sep. 23, 2018], <http://zoneutopia.com/bongs-bubblers-and-waterpipes/eyce-silicone-rig-with-nail-and-tool/>.
10" Tall Gilded Glass Pink Slyme Concentrate Water Pipe w/ Shower-Head to Vortex Perc; Dec. 7, 2017; [https://headshophub.com/10-tall-gilded-glass-pink-slyme-concentrate-water-pipe-w-shower . . .](https://headshophub.com/10-tall-gilded-glass-pink-slyme-concentrate-water-pipe-w-shower...); 3 pages.

(Continued)

Primary Examiner — Susan Bennett Hattan

Assistant Examiner — Rebecca Tsehaye

(74) *Attorney, Agent, or Firm* — Dorsey & Whitney

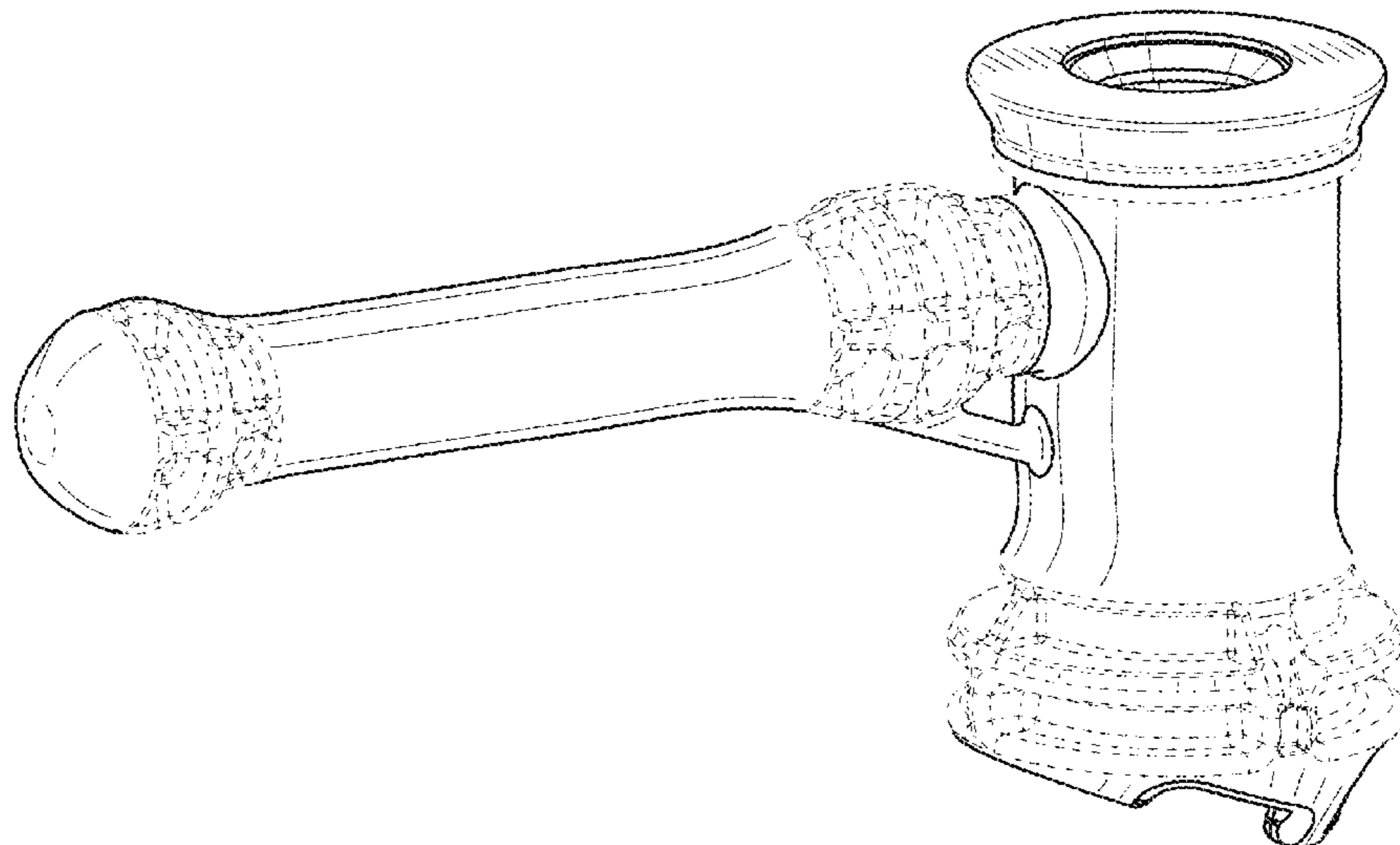
(57) **CLAIM**

We claim the ornamental design of a smoking apparatus, substantially as shown and described.

DESCRIPTION

FIG. 1 is a perspective view of a smoking apparatus in accordance with the present invention; FIG. 2 is a left side view of FIG. 1; FIG. 3 is a right side view of FIG. 1; FIG. 4 is a back view of FIG. 1; FIG. 5 is a front view of FIG. 1; FIG. 6 is a top view of FIG. 1; FIG. 7 is a bottom view of FIG. 1. FIG. 8 is a perspective view of the smoking apparatus illustrated in FIG. 1 shown in an environment with accessories, portions shown in broken lines forming no part of the claimed design; FIG. 9 is an exploded view of the smoking apparatus illustrated in FIG. 1 shown in an environment with accessories, portions shown in broken lines forming no part of the claimed design; and, FIG. 10 is a cross-section view of the smoking apparatus illustrated in FIG. 1 by line 10-10 of FIG. 6. The dash-dot broken lines form an unclaimed boundary and the broken lines depict environmental structure of the smoking apparatus forming no part of the claimed design.

1 Claim, 8 Drawing Sheets



(56)

References Cited

U.S. PATENT DOCUMENTS

D122,042 S	4/1940	Bressle	D264,885 S *	6/1982	Irelan	D27/165
D120,674 S	5/1940	Miller	D265,595 S	7/1982	Galanter	
D126,132 S	3/1941	Harris	D265,766 S	8/1982	Sher	
D127,324 S	5/1941	Leser	D273,713 S	5/1984	Sher	
D131,197 S	1/1942	Leser	D273,714 S	5/1984	Sher	
D132,045 S	4/1942	Borger	D273,715 S	5/1984	Sher	
D132,046 S	4/1942	Borger	D276,377 S *	11/1984	Martin	D27/163
D132,561 S	5/1942	Clements	4,788,988 A	12/1988	Titus	
2,285,057 A	6/1942	Russell	D304,625 S	11/1989	Katayama	
2,325,412 A	7/1943	Martin	D305,804 S	1/1990	Browning	
2,335,087 A	11/1943	Schimer	D342,805 S	12/1993	Heins	
2,385,312 A	9/1945	Swift	D346,673 S	5/1994	Newman	
D142,572 S	10/1945	Leipper	D349,780 S	8/1994	Heine	
D142,760 S	10/1945	Wyse	D350,411 S	9/1994	Heine	
2,387,381 A	10/1945	Zuckerman	D354,583 S	1/1995	Newman	
D142,922 S	11/1945	Von Rosenberg	D354,584 S	1/1995	Newman	
D143,423 S	1/1946	Goulston	D355,274 S	2/1995	Newman	
D143,593 S	1/1946	Hollenbeck	D355,728 S	2/1995	Newman	
D144,346 S	4/1946	Ash	D358,227 S	5/1995	Heine	
D146,209 S	1/1947	Baxter	D358,228 S	5/1995	Heine	
D147,035 S	7/1947	Chistensen	5,476,110 A	12/1995	Baig	
D150,219 S	7/1948	Furedy	D368,324 S	3/1996	Heine	
D152,369 S	1/1949	Sampson	D368,551 S	4/1996	Richards	
D154,917 S	8/1949	Galashek	D371,632 S	7/1996	Truelove	
2,529,278 A	11/1950	Bowers	D372,335 S	7/1996	Clark	
2,628,622 A	2/1953	Smith	D376,033 S	11/1996	Heine	
D171,694 S	3/1954	Gevirman	D387,476 S	12/1997	Chambers	
D176,221 S	11/1955	Lieber	RE36,193 E	4/1999	Newman	
D177,036 S	3/1956	Gavirman	5,908,031 A	6/1999	Clark	
D177,226 S	3/1956	Gevirman	RE36,254 E	7/1999	Newman	
D177,321 S	4/1956	Gevirman	5,967,147 A	10/1999	Newman	
D177,952 S	6/1956	Wang	5,993,748 A	11/1999	Wheeler	
D178,959 S	10/1956	Hodgkins	RE36,523 E	1/2000	Newman	
D179,116 S	11/1956	Bugg	6,067,993 A	5/2000	Mahoney, III	
D179,117 S	11/1956	Bugg	D436,686 S *	1/2001	Fujisawa	D27/163
D179,179 S	11/1956	Atkins	D442,329 S *	5/2001	Najar	D26/38
D179,373 S	12/1956	Atkins	D443,103 S	5/2001	Neason	
D199,552 S	11/1964	Berenson	D443,950 S	6/2001	Neason	
D203,914 S	2/1966	Fassbender	6,418,936 B1 *	7/2002	Lee	A24F 5/00 131/178
D204,922 S	5/1966	Jeannin	D542,968 S	5/2007	Guan	
D207,376 S	4/1967	Chernock	D543,312 S	5/2007	Guan	
D212,179 S	9/1968	Chernock	D544,395 S	6/2007	Olsen	
D217,520 S	5/1970	Gordon	D547,489 S	7/2007	Kassir	
D231,640 S	5/1974	Kahler	D548,398 S	8/2007	Chaoui	
D233,863 S	12/1974	Keidl	D552,790 S	10/2007	Catron	
D240,541 S	7/1976	Rupert	D554,797 S	11/2007	Kassir	
D240,938 S	8/1976	Kahler	D558,370 S	12/2007	Mohammed	
D244,473 S	5/1977	Karl	D558,919 S	1/2008	Kassir	
D246,391 S	11/1977	Lefkow	D561,388 S	2/2008	Kassir	
D246,602 S	12/1977	Frost	D566,328 S	4/2008	Catron	
D246,603 S	12/1977	Frost	D582,094 S *	12/2008	Lee	D27/163
D246,604 S	12/1977	Frost	D584,853 S	1/2009	Kassir	
D247,255 S	2/1978	Frost	D638,984 S	5/2011	Gould	
D247,408 S	3/1978	Ventura	D649,700 S	11/2011	Mehio	
D248,572 S	7/1978	Graham	D649,702 S	11/2011	Mehio	
D248,671 S	7/1978	Graham	D650,520 S *	12/2011	Timmermans	D27/163
D248,672 S	7/1978	Graham	D658,807 S	5/2012	Aboushi	
D249,070 S	8/1978	Evans	8,490,629 B1	7/2013	Shenassa	
D249,281 S	9/1978	Graham	D690,412 S	9/2013	Spink	
D249,282 S	9/1978	Nielsen	D701,599 S	3/2014	Bengochea	
D249,896 S	10/1978	Graham	D722,720 S	2/2015	Garbo	
4,146,042 A *	3/1979	Maiorana	8,973,585 B2	3/2015	Goldstein	
			D728,854 S	5/2015	Siniakov	
			D736,644 S	8/2015	Hamilton	
			D740,681 S	10/2015	Hamilton	
			D742,587 S	11/2015	Masri	
			D743,098 S *	11/2015	Hehir	D27/163
4,164,949 A	8/1979	Diven	D745,739 S	12/2015	Abadi	
4,171,703 A	10/1979	Locke	D754,914 S	4/2016	Helou	
D253,848 S	1/1980	Karp	D754,915 S	4/2016	Helou	
4,187,885 A	2/1980	Kehler et al.	D755,439 S	5/2016	Helou	
D254,510 S *	3/1980	Shaak	D757,355 S	5/2016	Al Arja	
			D790,767 S	6/2017	Rush	
D258,012 S	1/1981	Murphy	D806,945 S	1/2018	Lepper	
D258,013 S	1/1981	Murphy	9,955,722 B2 *	5/2018	Reyes	A24F 1/32
4,253,475 A	3/1981	Schreiber	D820,513 S	6/2018	Camitta	
D261,439 S	10/1981	Sher	2006/0086364 A1	4/2006	Liu	
D261,689 S	11/1981	Weglein	2006/0207621 A1	9/2006	Shraiber	
D261,690 S	11/1981	Murray, Jr.				
D262,144 S	12/1981	Sher				

(56)

References Cited

U.S. PATENT DOCUMENTS

2012/0006970	A1	1/2012	Evans et al.
2013/0032159	A1	2/2013	Capuano
2013/0104738	A1	5/2013	Goldstein
2014/0130812	A1	5/2014	Kling
2014/0326256	A1	11/2014	Mckay
2014/0338679	A1	11/2014	Gransar
2015/0068540	A1	3/2015	Hoch
2015/0167884	A1	6/2015	King et al.
2015/0181931	A1	6/2015	Hoover
2015/0257443	A1	9/2015	Rado
2015/0342250	A1	12/2015	Hoch
2016/0295911	A1	10/2016	Kalousek
2017/0055579	A1	3/2017	Kuna
2017/0056607	A1	3/2017	Jones
2017/0099872	A1	4/2017	Reimann
2017/0143035	A1	5/2017	Pucci
2017/0361040	A1	12/2017	Trzemieski
2018/0027872	A1	2/2018	Galaviz, Jr.
2018/0199626	A1	7/2018	Cheng

FOREIGN PATENT DOCUMENTS

CN	302933191	S	9/2014
CN	302996416		11/2014
CN	303120981		3/2015
CN	303417590		10/2015
CN	303574257		1/2016
CN	303650179	S	4/2016
CN	303781526	S	8/2016
CN	303808739	S	8/2016
CN	303939468	S	11/2016
CN	304049249	S	2/2017
CN	304049250	S	2/2017
CN	304133137	S	5/2017
CN	304195595	S	7/2017
CN	304233431	S	8/2017
CN	304355618	S	11/2017
CN	304355620	S	11/2017
CN	304546826	S	3/2018
CN	304608984	S	5/2018
CN	304388613	S	12/2018
EM	000855317-0002		9/2008
JP	D1412596		4/2011
JP	D1478668		8/2013
JP	D1537305		10/2015

OTHER PUBLICATIONS

11" Dual Honeycomb Elbow Sidecar Water Pipe; Dec. 7, 2017; <https://4aceswholesale.com/11-Dual-Honeycomb-Elbow-Sidecar-Water-Pipe/>; 2 pages.

2018 22cm Tall Mobius Matrix Sidecar Glass Bubbler Pipe Bubbler Glass Bong Vase Per . . . ; Dec. 7, 2017; <https://www.dhgate.com/product/22cm-tall-mobius-matrix-sidecar-glass-bubbler/3854978> . . . ; 3 pages.

2018 Glass Oil Rigs with 4mm Quartz Banger Nail Thick Glass Bong Male Joint 14.5mm . . . ; Dec. 11, 2017; <https://www.dhgate.com/product/toro-glass-oil-rigs-with-4mm-quartz-banger/384573278>; 4 pages.

2018 Hot Sell Sidecar Glass Bong Water Pipe Smoking Pipe Water Pipe Bong With Fritt . . . ; Dec. 7, 2017; <https://www.dhgate.com/product/hot-sell-glass-bong-glass-smoking-pipe-with/205698028> . . . ; 3 pages.

2018 Mini Hookah Glass Bong Sidecar Design Snowman Bong Dab Rigs 14.5 Male Join . . . ; Dec. 7, 2017; <https://www.dhgate.com/product/mini-hookah-glass-bongs-sidecar-design-snowman/4063> . . . ; 4 pages.

420 Science "Kargo 2" Sidecar Bubbler; Dec. 8, 2017; <https://www.smokecartel.com/products/420-science-kargo-2-sidecar-bubbler/>; 7 pages.

7" STEMLESS+HONEYCOMB+SHOWERHEAD+SIDECAR water pipe/ rig; Dec. 7, 2017; <http://www.420glasscity.com/7-STEMLESS-HONEYCOMB-SHOWERHEAD-SIDECAR> . . . ; 3 pages.

Aeon Glass by jhanpixel | p. 18 | FC Vaporizer Review Forum; Dec. 8, 2017; <http://fuckcombustion.com/threads/aeon-glass-by-jhanpixel.7673/page-18>; 19 pages.

AMG Red Eye Design Showerhead Sidecar Oil Rig for sale | King's Pipe; Dec. 7, 2017; <https://www.kings-pipe.com/AMG-red-eye-showerhead-sidecar-oil-rig-p/wp-196.htm>; 6 pages.

Borodirect Sandblasted Stemline Perc Rig with Sidecar Mouthpiece—Cloud Chasers; Dec. 8, 2017; <https://www.cloudchasers.com/products/borodirect-sandblasted-stemline-perc-rig-with-sid> . . . ; 7 pages.

China Sidecar rigs mini glass tobacco bubbler bong smoking matrix Perc water pipe oil . . . ; Dec. 7, 2017; <http://www.globalsources.com/igsol/1/Bong/p/sm/1149651685.htm>; 3 pages.

Clear 14mm Mini Sidecar Dab Rig | Wicked Sands Glass | Glass & other smoking device . . . ; Dec. 8, 2017; <https://www.pinterest.com/pin/686728643149634849/>; 3 pages.

Cobalt Sprinkler Dab Rig; Dec. 8, 2017; <https://cloudculturestore.com/products/cobalt-sprinkler-vapor-rig/>; 6 pages.

Crystal Ball to Pillar Perc Sidecar Bong—Stash Lab Technologies; Dec. 11, 2017; <https://www.stashlabtechnologies.com/products/dankstop-crystal-ball-to-pillar-perc-sidec> . . . ; 5 pages.

Crystal Ball to Pillar Perc Sidecar Bong—Toker Supply; Dec. 11, 2017; <https://www.tokersupply.com/products/crystal-ball-to-pillar-perc-sidecar-bong/>; 3 pages.

Dab Bong with Matrix Perc-Sidecar Bubbler Rig | Hasmoke Online Headshop; Dec. 7, 2017; <https://www.hasmoke.com/Mobius-glass-pipe-with-matrix-perc-18-mm-joint-s157.html>; 5 pages.

Dankstop—Honeycomb to Turbine Perc Sidecar Water Pipe; Dec. 7, 2017; <http://piecedr.com/shop/dab-rigs-and-oil-rigs/dankstop-honeycomb-to-turbine-perc-sidecar> . . . ; 2 pages.

Empire Glassworks Hootie Owl Vapor Bong | Grasscity; Dec. 11, 2017; <https://www.grasscity.com/us/en/empire-glassworks-hootie-owl-vapor-bong.html>; 6 pages.

Glass SideCar WP1895 Water Pipes—GogoPipes.com; Dec. 7, 2017; <http://www.gogopipes.com/sidecar-water-pipes-wp1895.html>; 4 pages.

Goo Roo Designs Sidecar Rig—Uncle Ikes Glass & Goods; Dec. 7, 2017; <https://uncleikesglassandgoods.com/broduct/goo-roo-designs-sidecar-rig-2/>; 4 pages.

Hitman Glass E-nail Sidecar Rig; Dec. 8, 2017; <https://www.hellawicked.com/hitman-glass-e-nail-sidecar-rig/>; 2 pages.

Honeycomb to Tornado Perc Sidecar Glass Water Pipe | King's Pipe Online Headshop; Dec. 7, 2017; <https://www.kings-pipe.com/honeycomb-tornado-sidecar-water-pipe-p/wp-242.htm>; 7 pages.

Honeycomb to Turbine Sidecar Dab Rig; Dec. 7, 2017; <https://cloudculturestore.com/products/honeycomb-to-turbine-perc-bent-neck-bubbler-rig?> . . . ; 6 pages.

Medium Stemless GoG Sidecar Water Pipe with Showerhead Perc —WP1041; Dec. 7, 2017; <https://spswholesale.com/medium-stemless-gog-sidecar-water-pipe-with-showerhead-perc> . . . ; 3 pages.

New Mobius Matrix Sidecar Glass Bong Birdcage Perc Glass Pipe Thick Glass Smoking . . . ; Dec. 7, 2017; <https://www.dhgate.com/store/product/new-mobius-matrix-sidecar-glass-bong-birdcage/37> . . . ; 2 pages.

Pink Turbine+Sidecar+Stemless+Black Rim water pipe rig; Dec. 7, 2017; <http://www.420glasscity.com/PINK-TURBINE-SIDECAR-STEMLESS-BLACK-RIM-wa> . . . ; 3 pages.

Purr 14mm Concentrate Full Sidecar Honeycomb—Clear; Dec. 8, 2017; <http://www.windshiptrading.com/sale-purr-14mm-concentrate-full-sidecar-honeycomb-cle> . . . ; 3 pages.

Purr Glass Honeycomb Sidecar Dab Rig | King's Pipe Online Headshop; Dec. 7, 2017; <https://www.kings-pipe.com/purr-honeycomb-sidecar-dab-rig-p/wb-325.htm>; 5 pages.

Sidecar Rigs Sprinkler Perc Bong Glass Smoking Pipe Perc Flow Bong Da . . . ; Dec. 7, 2017; <https://www.dhgate.com/store/product/sidecar-rigs-sprinkler-perc-bongs-glass-bongs/3913> . . . ; 2 pages.

Sidecar Water Pipe—T Perc to Turbine Perc | BadAssGlass.com—YouTube; Dec. 8, 2017; <https://www.youtube.com/watch?v=kUIBBhikgzQ>; 2 pages.

Turbine Sidecar Waterpipe by CLV at | Badass Glass; Dec. 7, 2017; <https://www.badassglass.com/turbine-sidecar-waterpipe.html>; 2 pages.

(56)

References Cited

OTHER PUBLICATIONS

Wholesale Hookahs At \$22.92, Get 2015 New Mobius Matrix Sidecar Glass Bong Birdca . . . ; Dec. 8, 2017; <https://www.dhgate.com/product/2015-new-mobius-matrix-sidecar-glass-bong/264836611> . . . ; 4 pages.

Wicked Sands Glass Honeycomb Sidecar Hash Bubbler #bongs #wickedands #vapor #ha . . . ; Dec. 7, 2017 <https://www.pinterest.com/pin/107242034852412438/>; 3 pages.

Wicked Sands Sidecar Bubbler; Dec. 7, 2017; <https://ozbongs.com.au/wicked-sands-sidecar-bubbler.html>; 2 pages.

Wizardtooth Glass—Sidecar | Flameworked; Dec. 7, 2017 <https://www.flameworked.com/product/wizardtooth-glass-sidecar/>; 3 pages.

WP-0174 6" Stemless+Barrel Showerhead+Sidecar water pipe/ rig; Dec. 11, 2017; https://www.usglobalimports.com/product_p/wp-0174.htm, 5 pages.

China Tall Mobius Matrix sidecar glass bong from Jinhua Manufacturer: Yiwu Hao Ke S . . . ; Dec. 8, 2017; <http://smokingdogo.manufacturer.globalsources.com/si/6008851944093/pdtl/Bong/114678> . . . ; 3 pages.

Upgraded Mobius Matrix sidecar oil rigs glass bongs water pipes birdcage perc 9" inches g . . . / One Smoker; Dec. 7, 2017; <http://www.funny-smoke.com/bongs-water-pipes/upgraded-mobius-matrix-sidecar-oil-rigs> . . . ; 2 pages.

JM Flow Sidecar Rigs Sprinkler Perc Bongs Glass Bong Glass Smoking Pipe Perc Flow . . . ; Dec. 8, 2017 <https://www.dhgate.com/store/product/2016-new-sprinkler-perc-bongs-glassbongs/38644> . . . ; pages.

4 Aces Wholesale, "2ct 7 inch Silicone Hammer Bubbler with 14mm Glass Bowl", <https://4aceswholesale.com/2ct-7-inch-Silicone-Hammer-Bubbler-With-14mm-Glass-Bowl>, Accessed: Mar. 28, 2019, 2 pages.

Made in china.com, "Multi Color Silicone Hammer Style Bubbler with Titanium Accessories", <https://yhs-silicone.en.made-in-china.com/productimage/PsIETngARuVi-2f1j00aETGrSRMRBbP/China-Multi-Color-Silicone-Hammer-Style-Bubbler-with-Titanium-Accessories.html>, Accessed: Mar. 28, 2019, 3 pages.

* cited by examiner

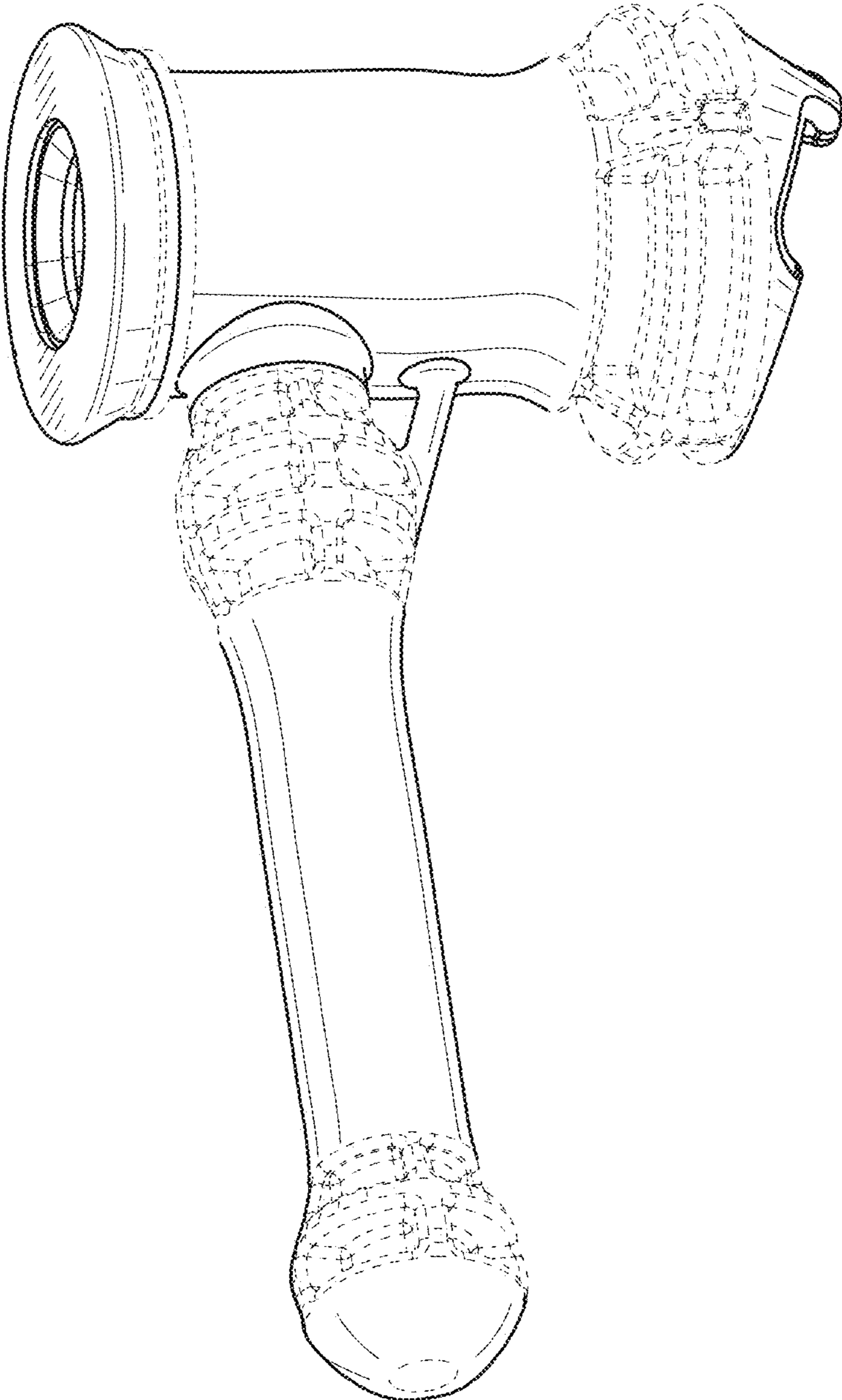


FIG. 1

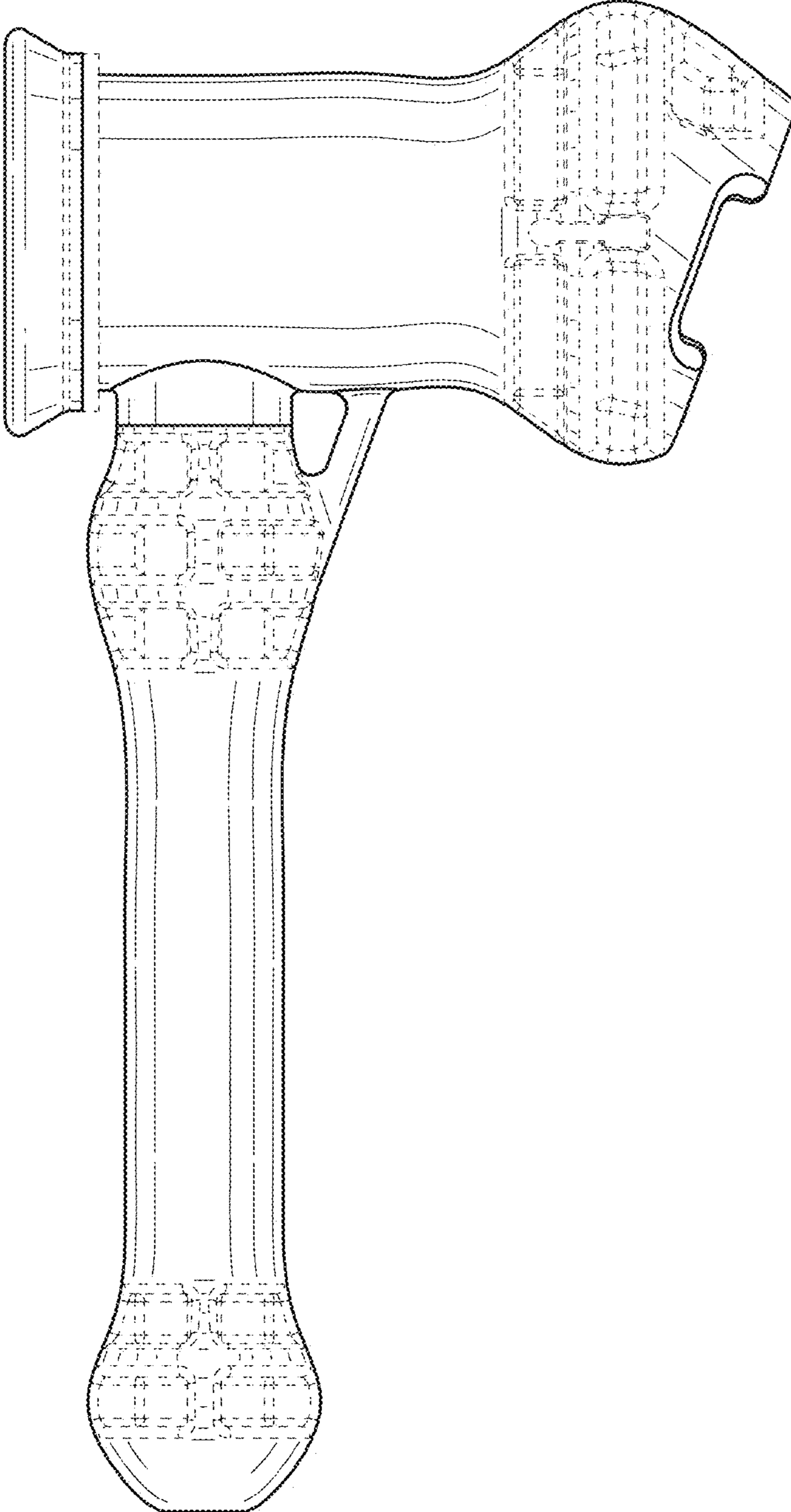


FIG. 2

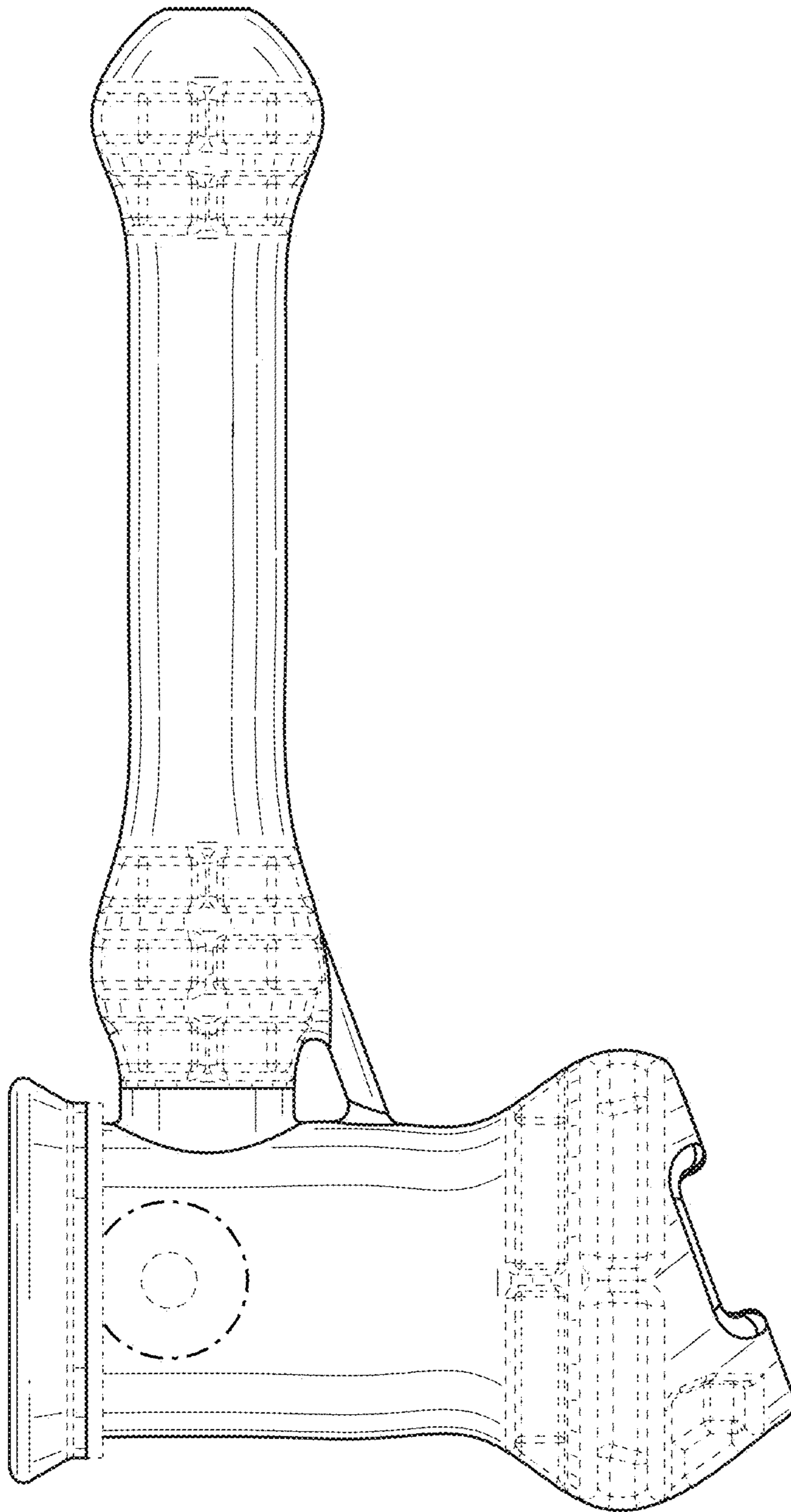


FIG. 3

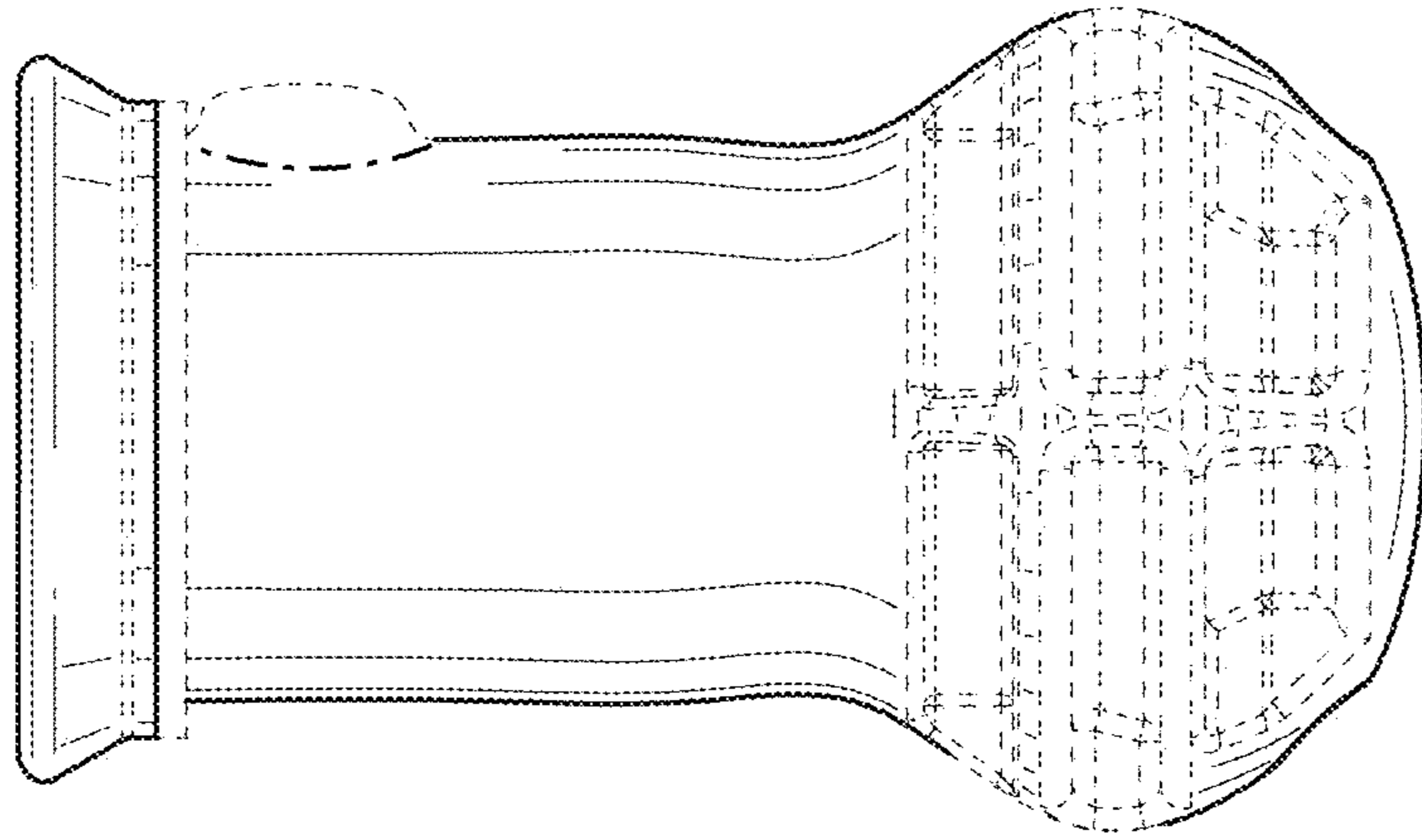


FIG. 5

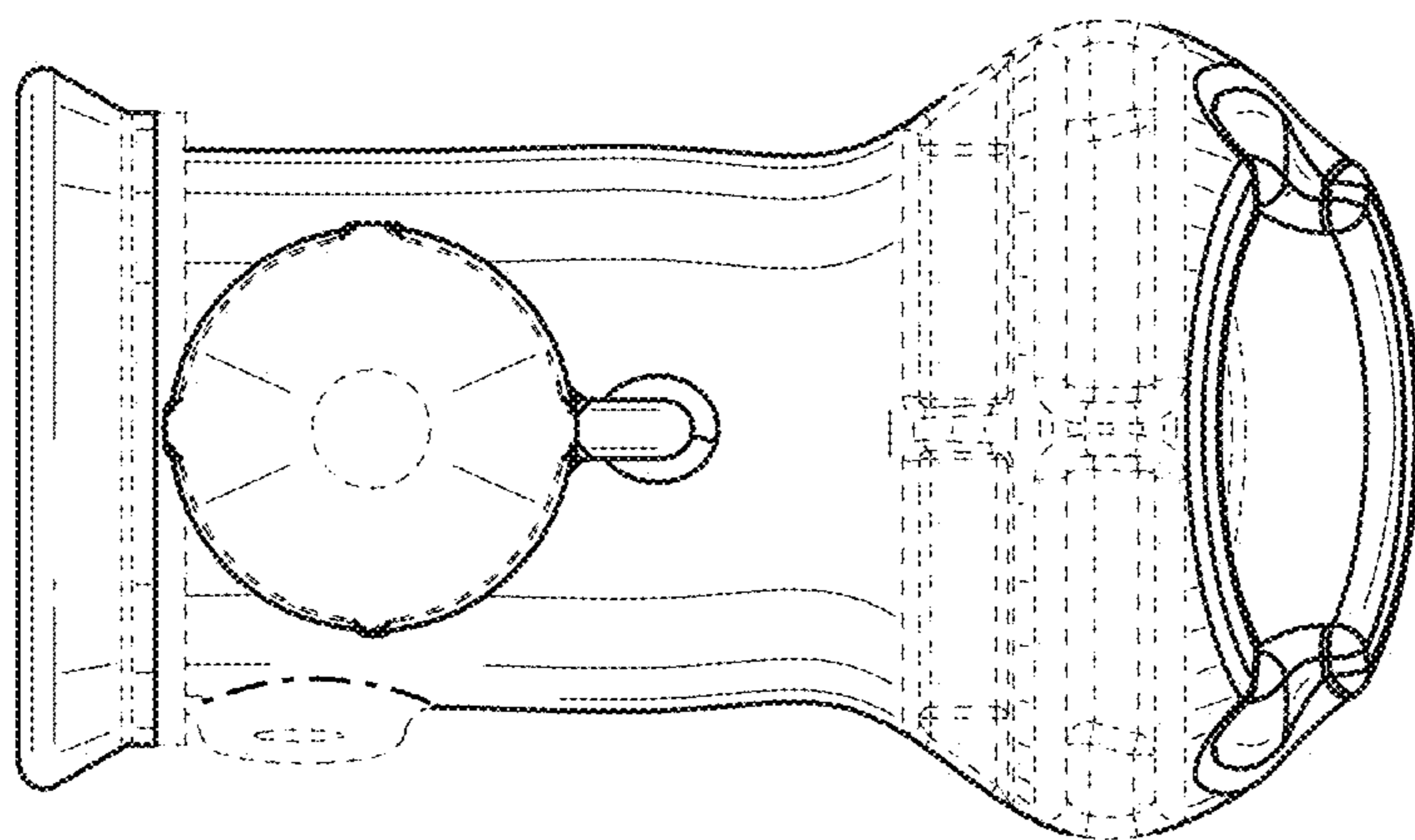


FIG. 4

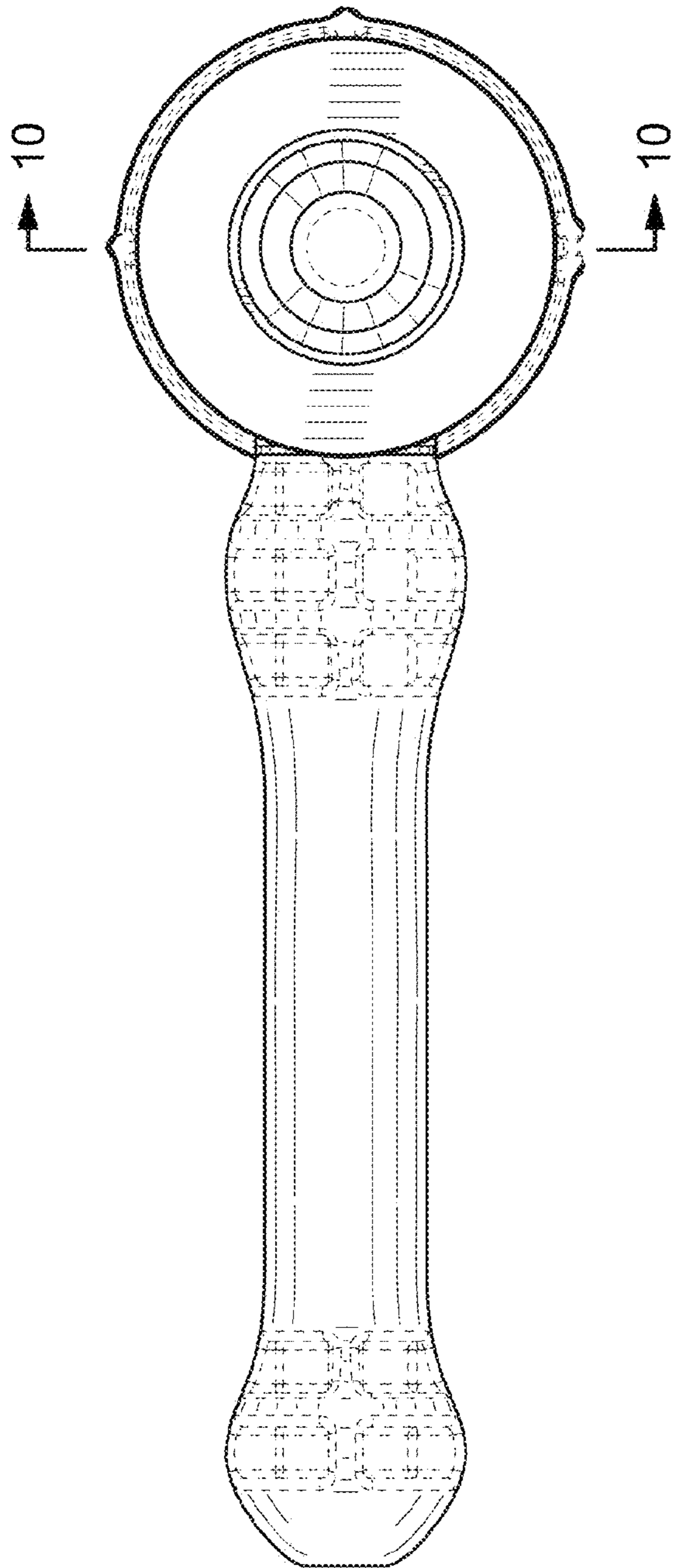


FIG. 6

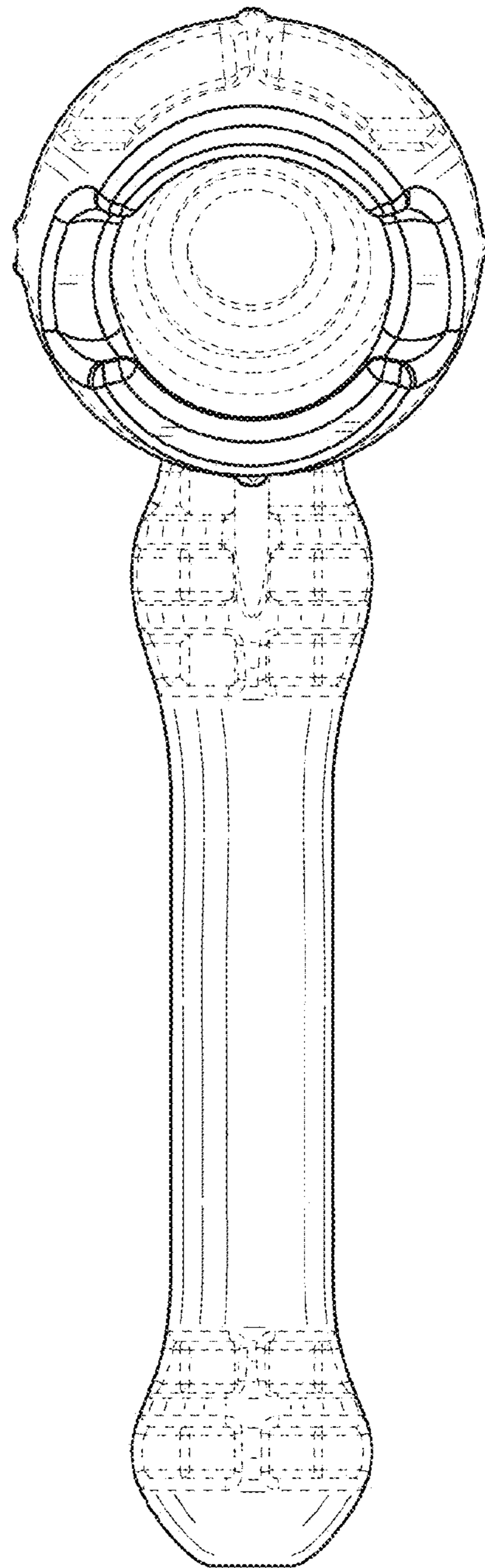


FIG. 7

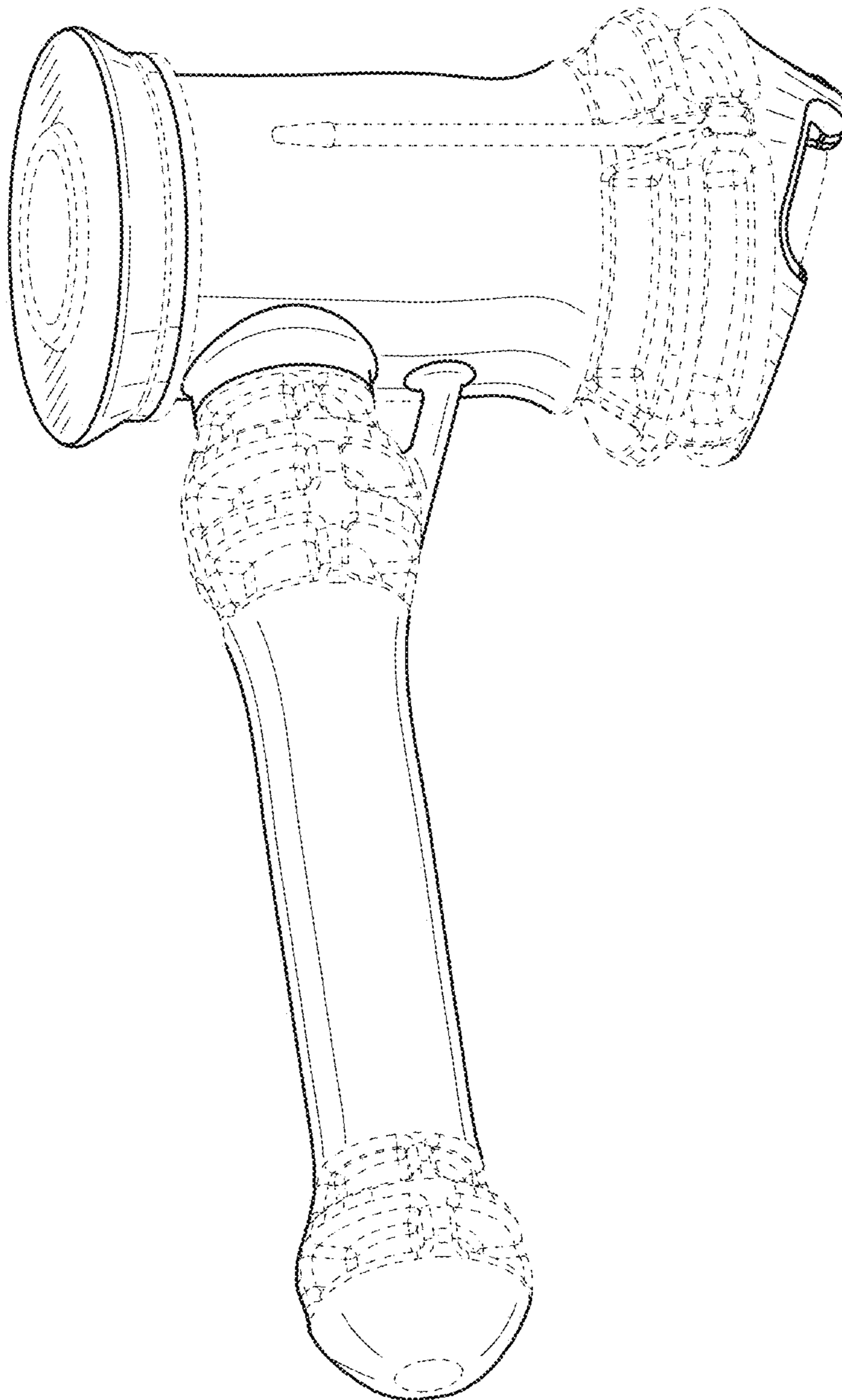


FIG. 8

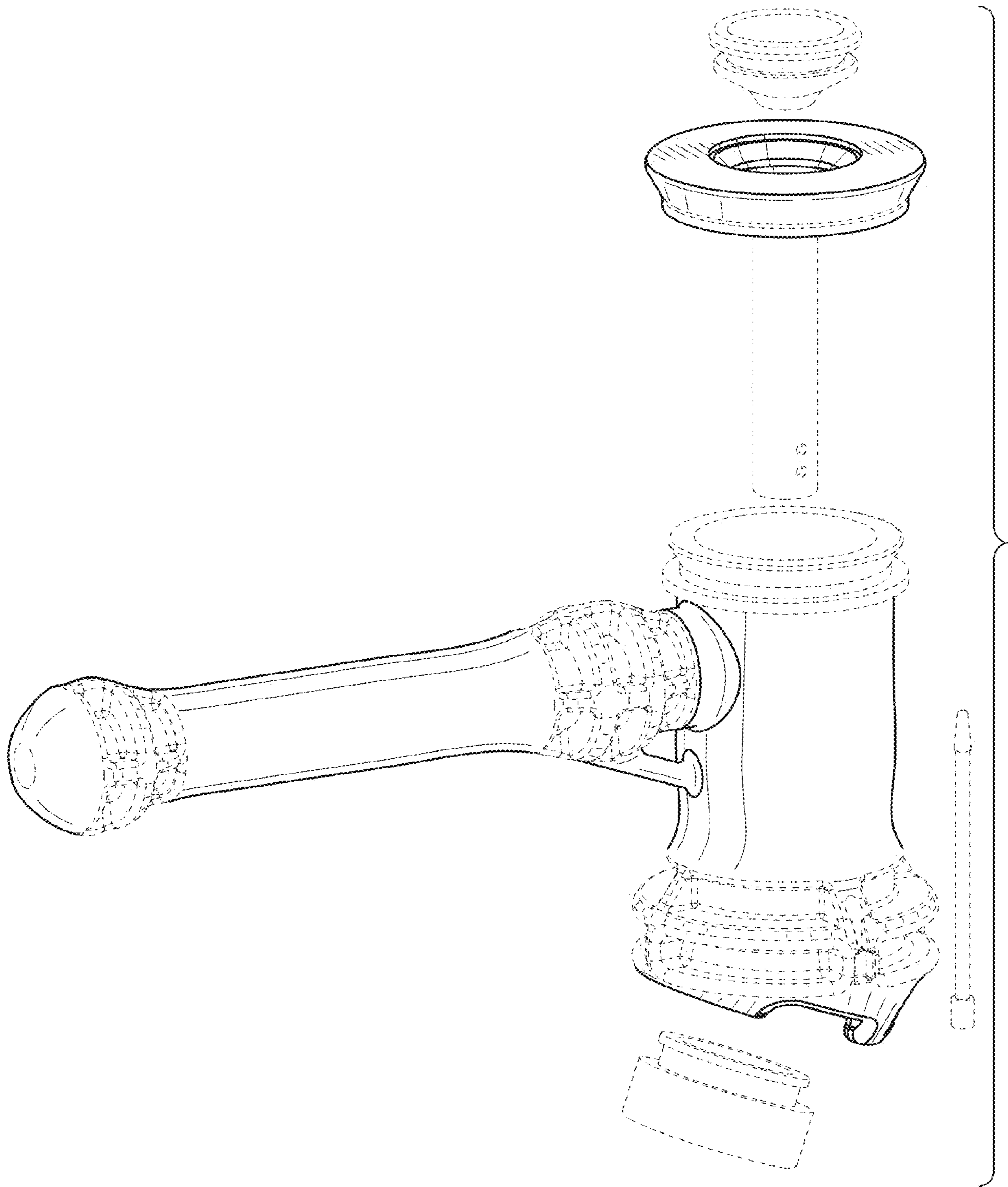


FIG. 9

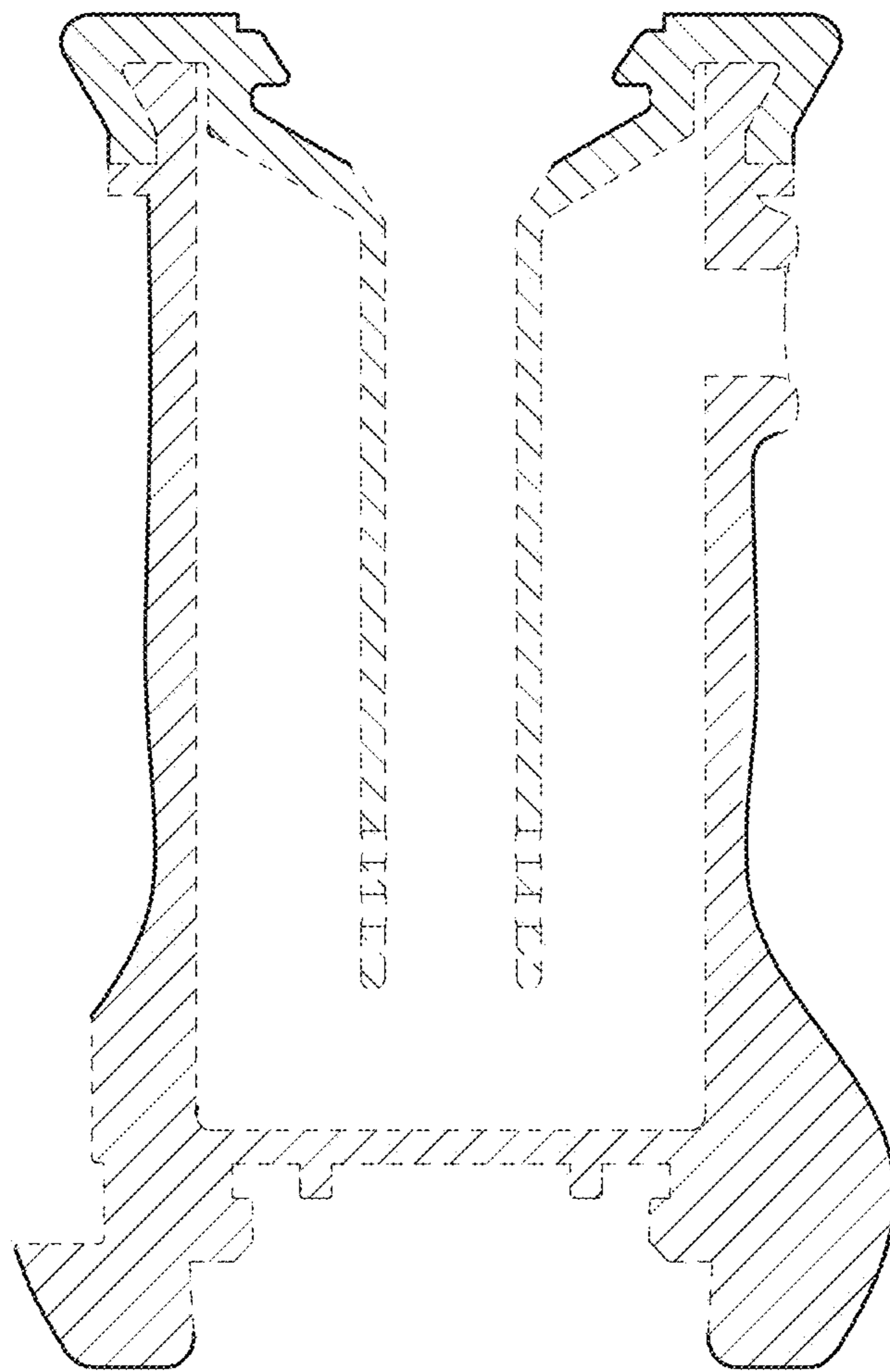


FIG. 10