



US00D879371S

(12) **United States Design Patent**
Bao

(10) **Patent No.:** **US D879,371 S**

(45) **Date of Patent:** **** Mar. 24, 2020**

(54) **ELECTRONIC CIGARETTE**

(71) Applicant: **Chongqing CanEn Technology Co., Ltd.**, Chongqing (CN)

(72) Inventor: **Ziqiang Bao**, Jidong County (CN)

(**) Term: **15 Years**

(21) Appl. No.: **29/697,563**

(22) Filed: **Jul. 9, 2019**

(51) **LOC (12) Cl.** **27-07**

(52) **U.S. Cl.**
USPC **D27/162**

(58) **Field of Classification Search**
USPC D27/100, 101, 162–194; D24/110;
D23/366; D19/115
CPC A24F 1/00; A24F 1/02; A24F 1/04; A24F
1/06; A24F 1/08; A24F 1/14; A24F 1/26;
A24F 7/00; A24F 7/02; A24F 7/04; A24F
1/28

See application file for complete search history.

D759,296 S * 6/2016 Abroff D27/101
D759,303 S * 6/2016 Afridi D27/101
D760,948 S * 7/2016 Eksouzian D27/101
D763,501 S * 8/2016 McGarry D27/101
9,427,022 B2 * 8/2016 Levin A24F 47/008
9,480,286 B2 * 11/2016 Liu A24F 47/008
D776,337 S * 1/2017 Levin D27/101
D778,492 S * 2/2017 Liu D27/101
D786,497 S * 5/2017 Sudlow D27/162
D791,638 S * 7/2017 Mesica D11/81
D792,021 S * 7/2017 Beer D27/101
D795,496 S * 8/2017 Beer D27/101
D799,112 S * 10/2017 Qiu D27/101
D799,745 S * 10/2017 Qiu D27/101
D800,310 S * 10/2017 Scatterday D24/163
9,801,418 B1 * 10/2017 Liu A24F 7/00
D804,091 S * 11/2017 Fornarelli D27/101
D806,310 S * 12/2017 McGarry D27/101
9,854,844 B2 * 1/2018 Plojoux A24F 47/008

(Continued)

Primary Examiner — Marissa J Cash

(74) *Attorney, Agent, or Firm* — Jie Yang; ZANIP

(57) **CLAIM**

The ornamental design for an electronic cigarette, as shown and described.

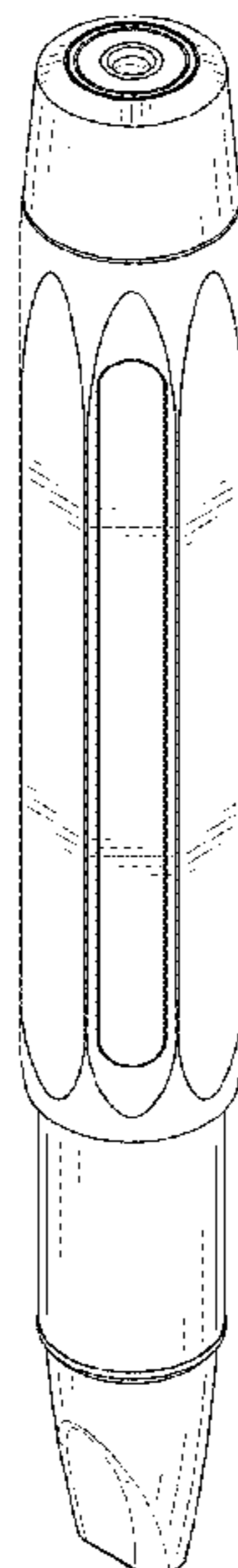
DESCRIPTION

FIG. 1 is a top perspective view of an electronic cigarette showing my new design;
FIG. 2 is a bottom perspective view thereof;
FIG. 3 is a front view thereof;
FIG. 4 is a back view thereof;
FIG. 5 is a left side view thereof;
FIG. 6 is a right side view thereof;
FIG. 7 is a top view thereof; and,
FIG. 8 is a bottom view thereof.
The broken lines in the figures illustrate portions of the electronic cigarette that form no part of the claimed design.

1 Claim, 8 Drawing Sheets

(56) **References Cited**
U.S. PATENT DOCUMENTS

D398,071 S * 9/1998 Perkins D27/187
D404,518 S * 1/1999 Dal Monte D27/101
D406,388 S * 3/1999 Putnam D27/183
D409,330 S * 5/1999 Putnam D27/190
D493,911 S * 8/2004 Somma D27/101
D699,391 S * 2/2014 Abroff D27/101
D720,883 S * 1/2015 Albanese D27/101
D725,821 S * 3/2015 Levin D27/101
D736,994 S * 8/2015 Mittersinker D27/101
D746,374 S * 12/2015 Adelman D19/169
D750,834 S * 3/2016 Wei D27/101
D750,835 S * 3/2016 Wei D27/101
D753,872 S * 4/2016 Mittersinker D27/101
D754,390 S * 4/2016 Mittersinker D27/101
D755,440 S * 5/2016 Collen D27/163



(56)

References Cited

U.S. PATENT DOCUMENTS

9,854,845 B2 * 1/2018 Plojoux A24F 47/008
D811,651 S * 2/2018 Abroff D27/101
9,894,931 B2 * 2/2018 Zhou A24F 47/008
D815,341 S * 4/2018 Qiu D27/101
D825,837 S * 8/2018 Abroff D27/101
D825,838 S * 8/2018 Abroff D27/101
D834,743 S * 11/2018 Tucker D27/101
10,130,122 B2 * 11/2018 Anderson, Jr. ... A61M 15/0065
D836,791 S * 12/2018 Tarashchansky D24/215
10,159,286 B2 * 12/2018 Holzherr A24F 47/008
D843,644 S 3/2019 Qiu
D843,648 S * 3/2019 Santos D27/162
D846,798 S 4/2019 Chen
10,251,422 B2 * 4/2019 Koller A24F 47/008
D850,712 S * 6/2019 Fornarelli D27/162
10,314,338 B2 * 6/2019 Hawes A24F 47/008
D856,575 S * 8/2019 Folkerts D27/162
D857,983 S * 8/2019 Bramley D27/101
10,368,575 B2 * 8/2019 Kadiric
10,377,622 B2 * 8/2019 Li
10,398,178 B2 * 9/2019 Scatterday
2017/0238617 A1 * 8/2017 Scatterday A24F 47/008
2017/0338609 A1 * 11/2017 Holzherr A24F 47/008

* cited by examiner

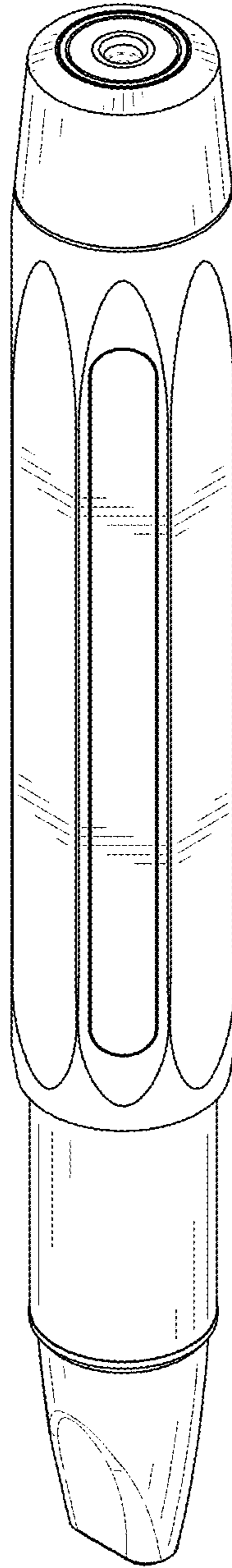


FIG. 1

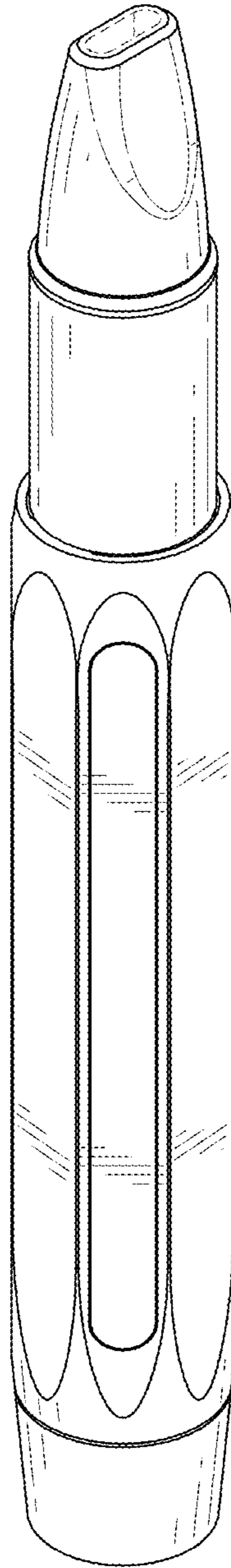


FIG. 2

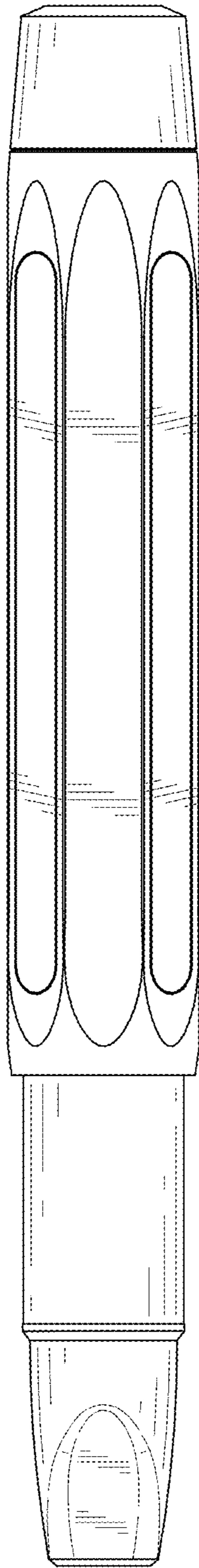


FIG. 3

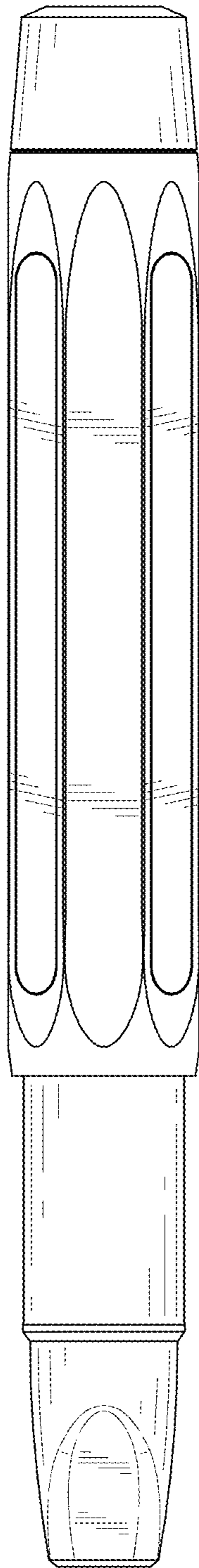


FIG. 4

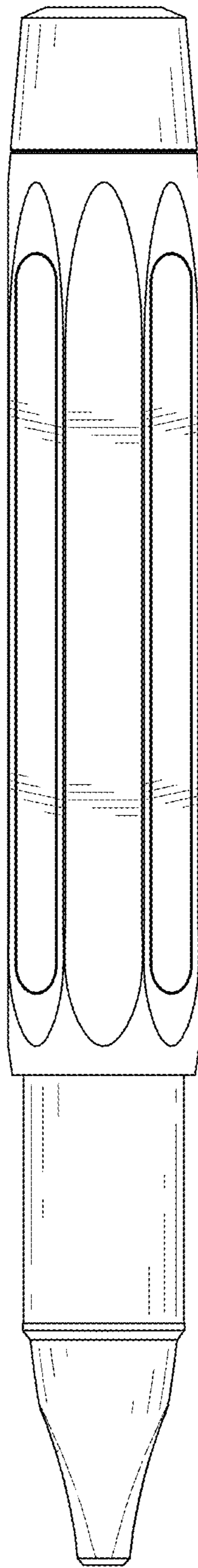


FIG. 5

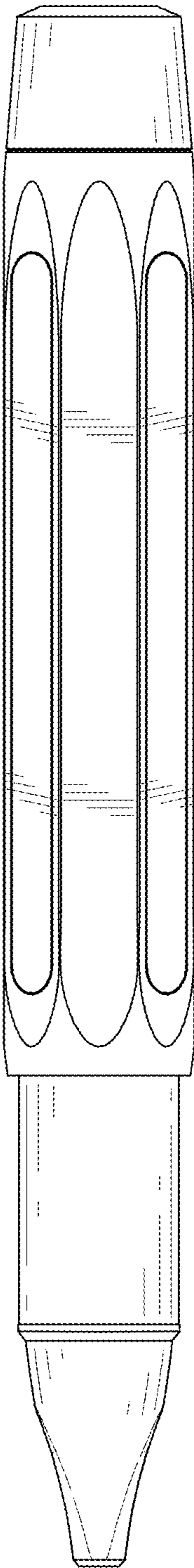


FIG. 6

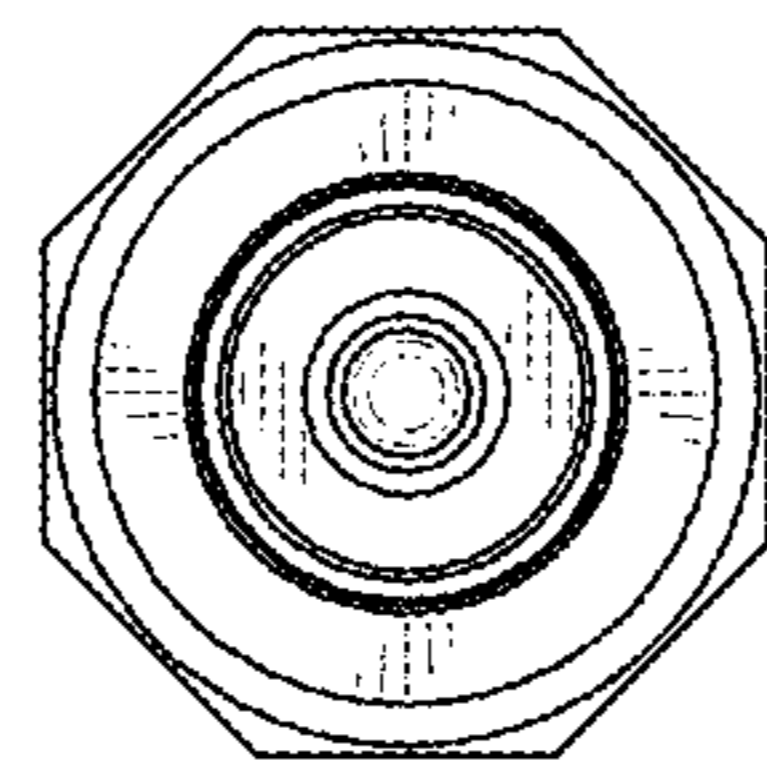


FIG. 7

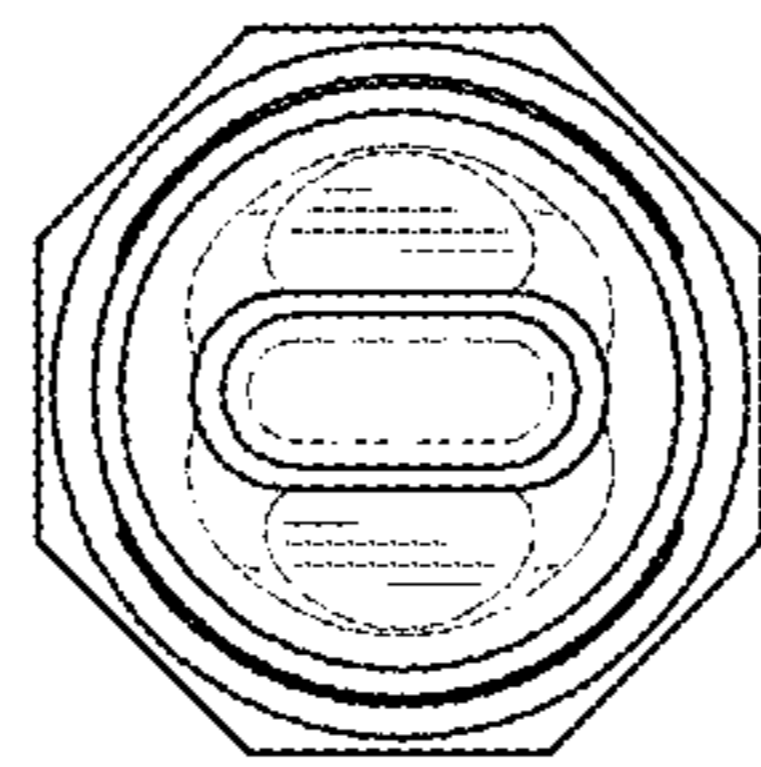


FIG. 8