



US00D879370S

(12) **United States Design Patent** (10) **Patent No.:** **US D879,370 S**
Aznavour (45) **Date of Patent:** **** Mar. 24, 2020**

(54) **WATER-PIPE BOWL**
(71) Applicant: **HASC Corp.**, Glendale, CA (US)
(72) Inventor: **Hamasazb Aznavour**, Glendale, CA (US)
(73) Assignee: **HASC Corp.**, Glendale, CA (US)
(**) Term: **15 Years**

D820,513 S * 6/2018 Camitta D27/162
D838,410 S * 1/2019 Reimann D27/162
D843,647 S * 3/2019 Camitta D27/162
D844,231 S * 3/2019 Klimczyk D27/162
D846,187 S * 4/2019 Hoch D27/162
D854,740 S * 7/2019 Opp D27/162
2007/0056599 A1 3/2007 Zoumut
2011/0088706 A1 4/2011 Badawi
2016/0143352 A1 5/2016 Bavar
2018/0220701 A1* 8/2018 Risolia A24F 1/02

(21) Appl. No.: **29/664,337**
(22) Filed: **Sep. 24, 2018**
(51) **LOC (12) Cl.** **27-02**
(52) **U.S. Cl.**
USPC **D27/162**
(58) **Field of Classification Search**
USPC D27/162, 163, 167-169; 131/173,
131/178-180, 200, 222, 226, 329, 330,
131/347
CPC A24F 5/00; A24F 5/04; A24F 5/08; A24F
5/10; A24F 1/30
See application file for complete search history.

FOREIGN PATENT DOCUMENTS

WO 2010061233 A2 3/2010
* cited by examiner

Primary Examiner — Marissa J Cash
Assistant Examiner — Rebecca Tsehaye
(74) *Attorney, Agent, or Firm* — Phil IP Law Group Inc.;
Narek Zohrabyan

(57) **CLAIM**

The ornamental design for a water-pipe bowl, as shown and described.

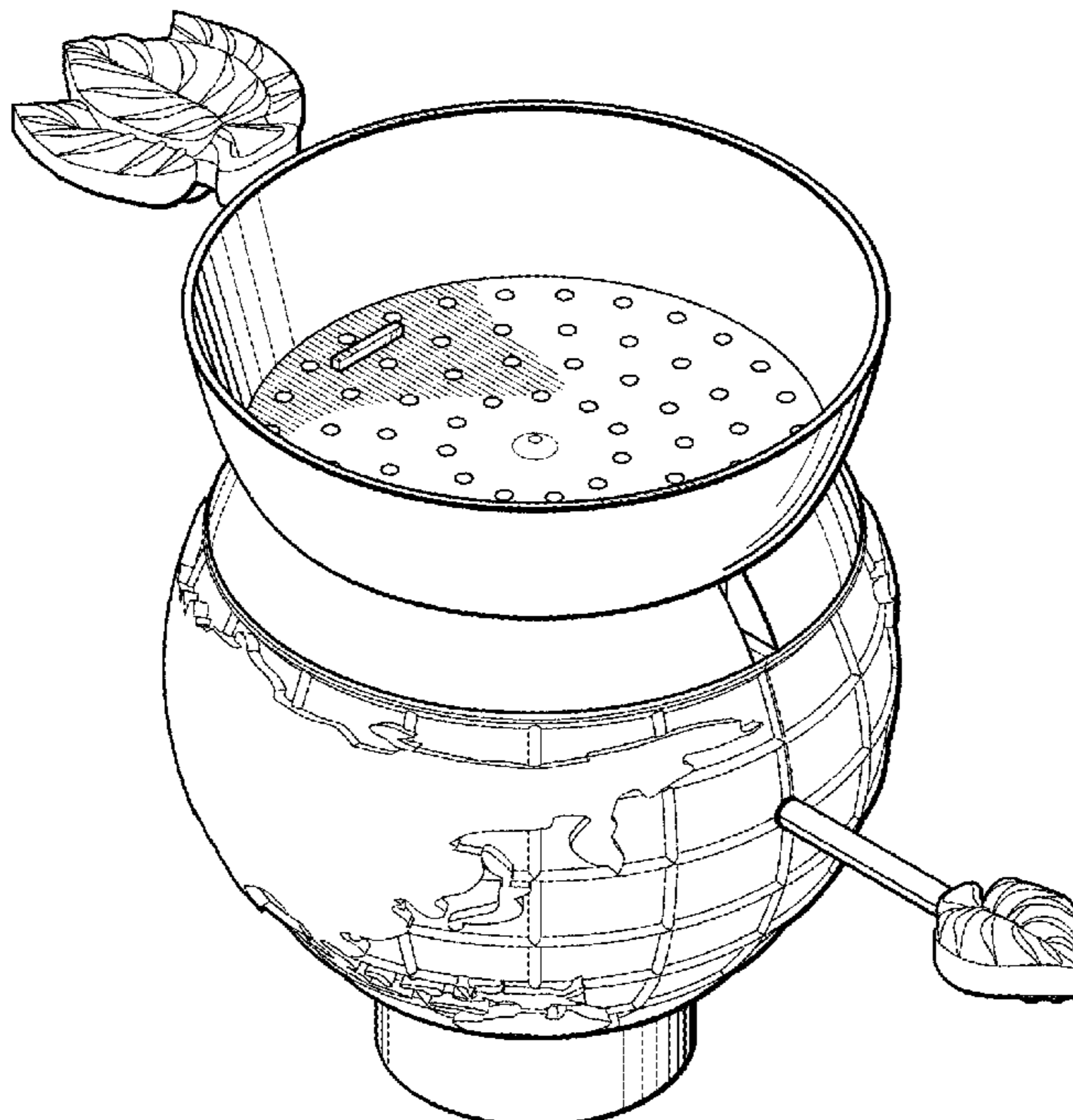
DESCRIPTION

FIG. 1—Top, front, right side perspective view;
FIG. 2—Front elevation view;
FIG. 3—Rear elevation view;
FIG. 4—Left side elevation view;
FIG. 5—Right side elevation view;
FIG. 6—Top plan view;
FIG. 7—Bottom plan view;
FIG. 8—Cross-section view taken along line 8-8 of FIG. 5;
and,
FIG. 9—Top, front, right side exploded perspective view.

(56) **References Cited**
U.S. PATENT DOCUMENTS

D249,071 S * 8/1978 Shepard, Jr. D27/162
D261,438 S * 10/1981 Sher D27/162
D261,439 S * 10/1981 Sher D27/162
D726,366 S * 4/2015 Kirakosian D27/162
D728,854 S * 5/2015 Siniakov D27/162
D745,994 S * 12/2015 Hanna D27/162
D745,995 S * 12/2015 Albathe D27/162
D746,512 S * 12/2015 Sahni D27/162
D754,915 S * 4/2016 Helou D27/162
D755,439 S * 5/2016 Helou D27/162
D757,355 S * 5/2016 al Arja D27/162

1 Claim, 5 Drawing Sheets



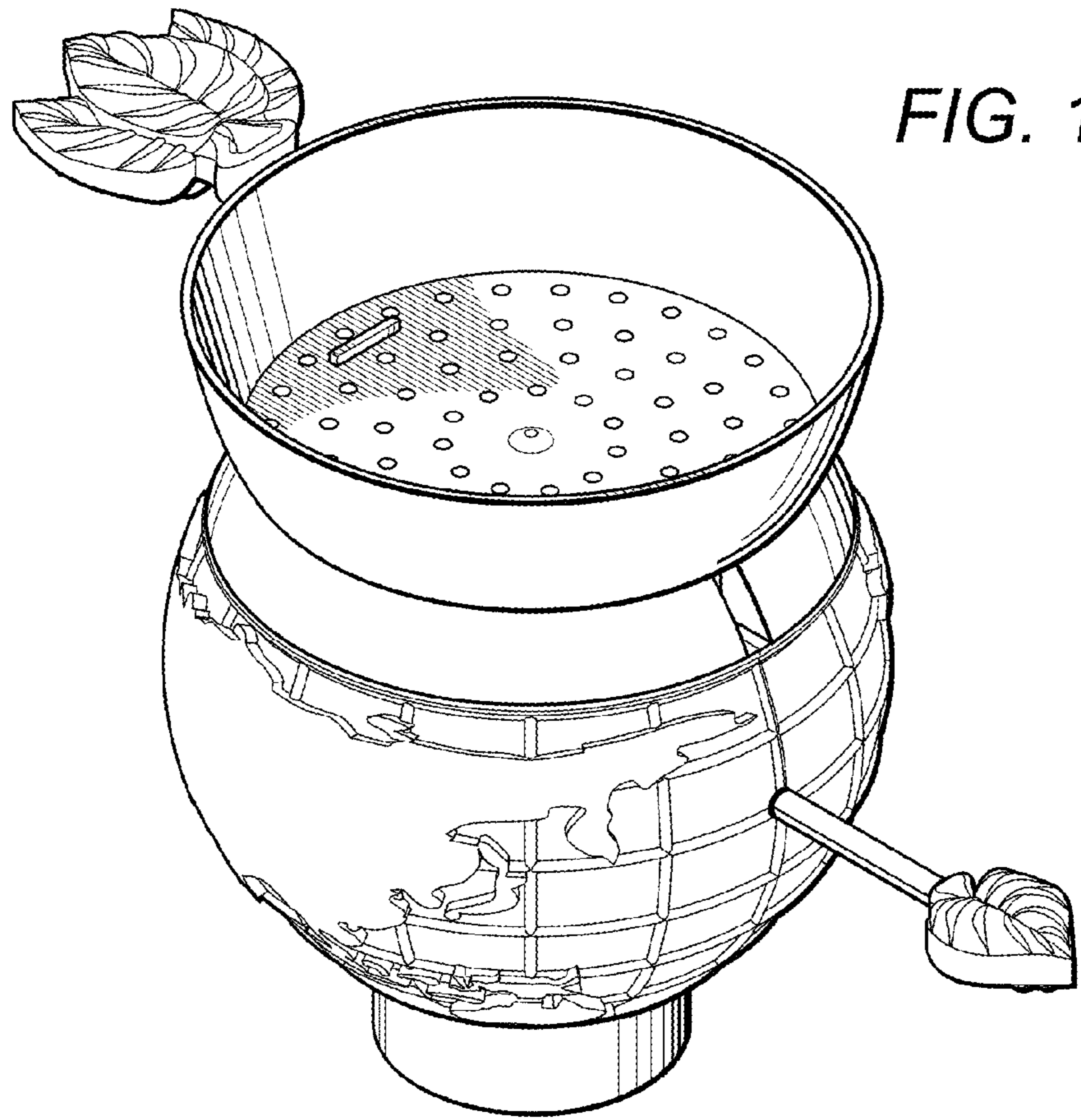


FIG. 1

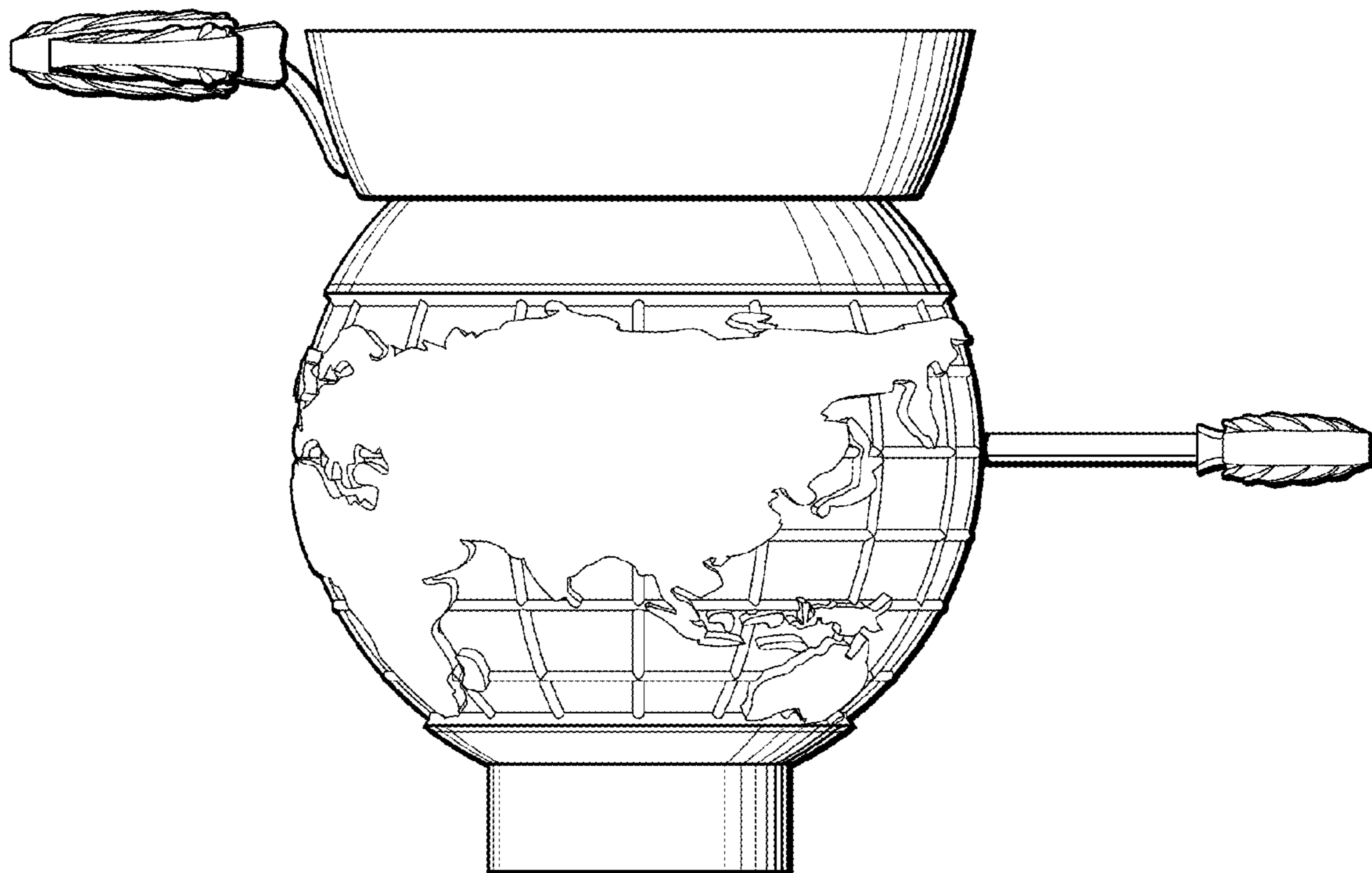


FIG. 2

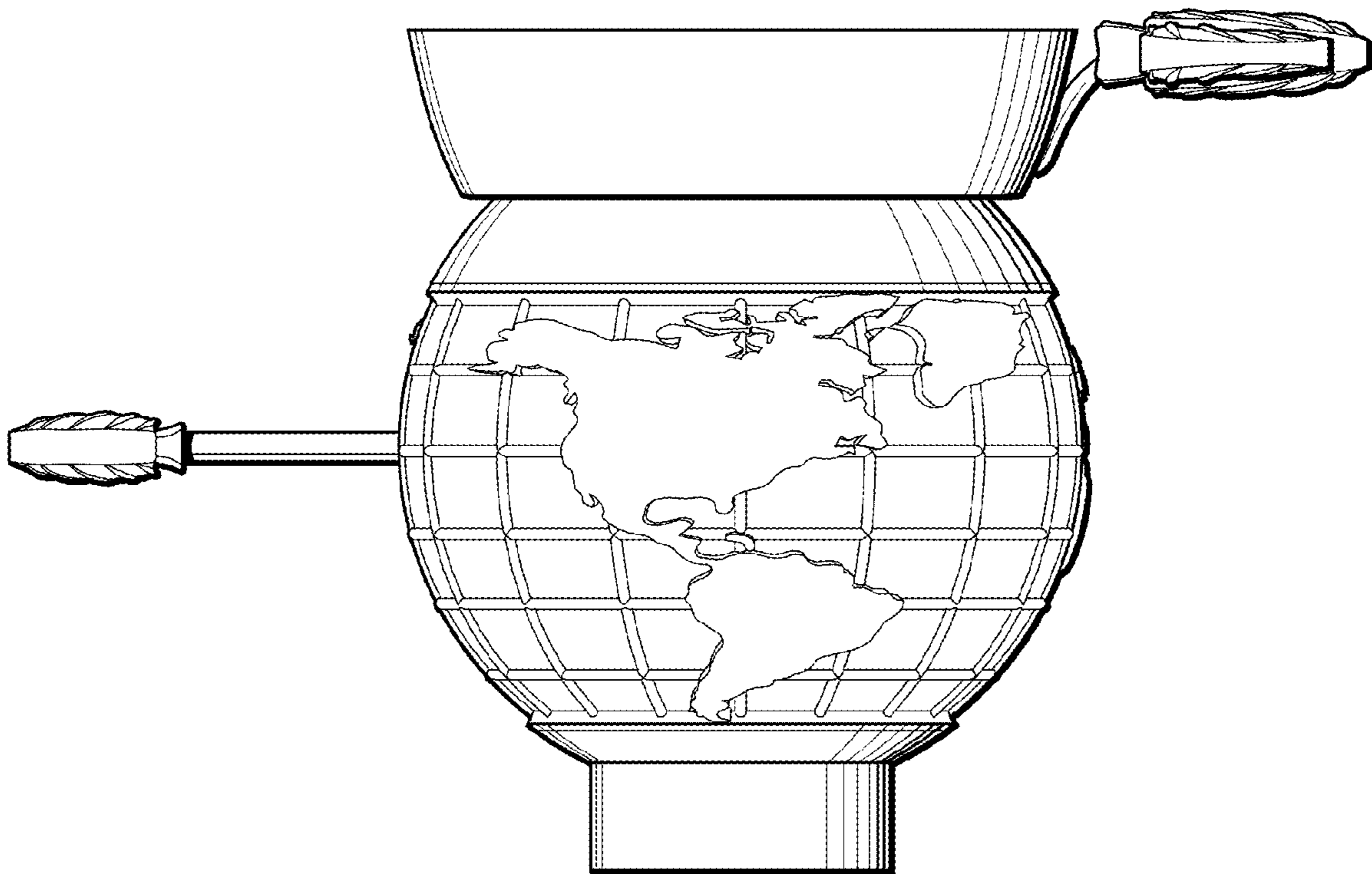


FIG. 3

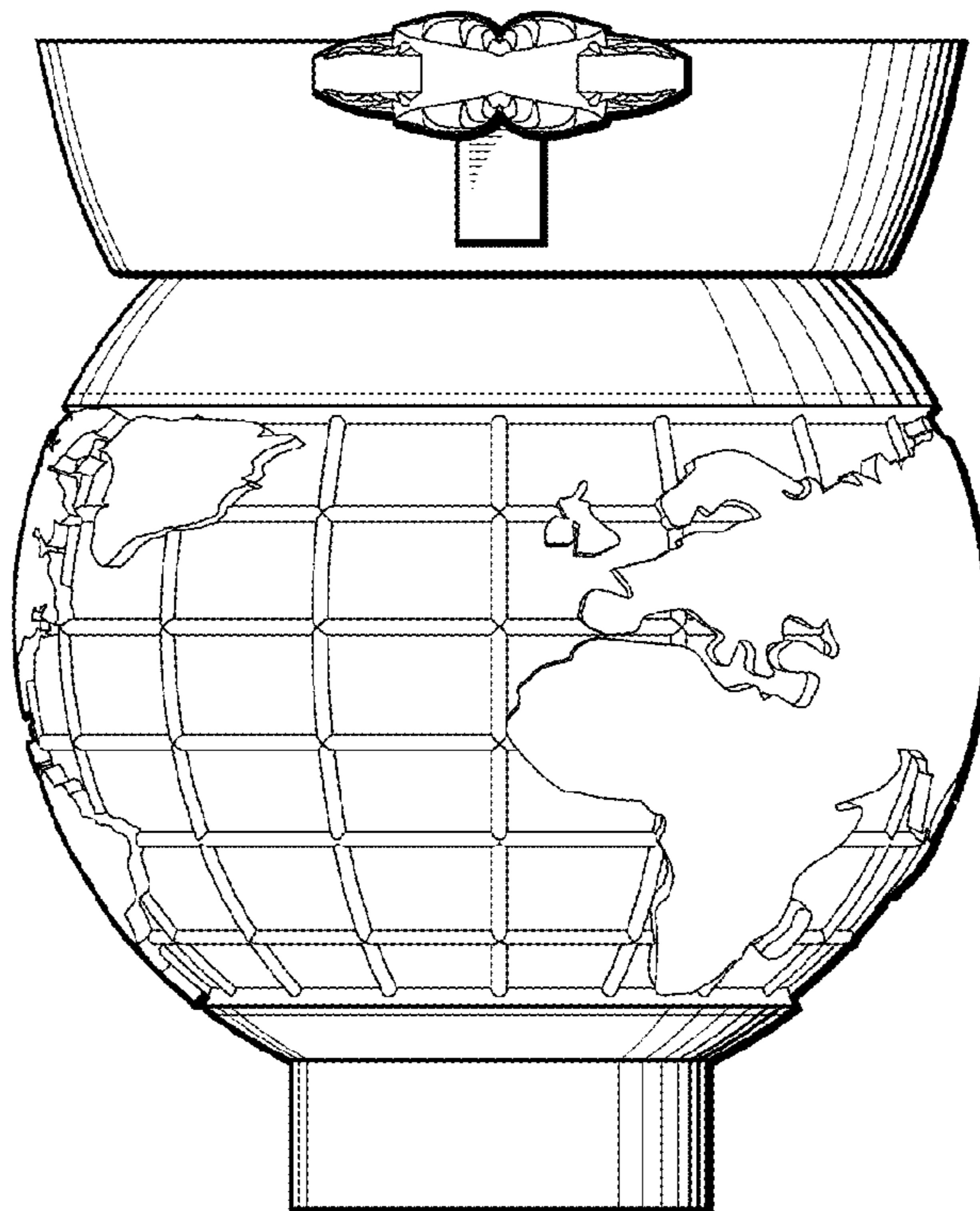


FIG. 4

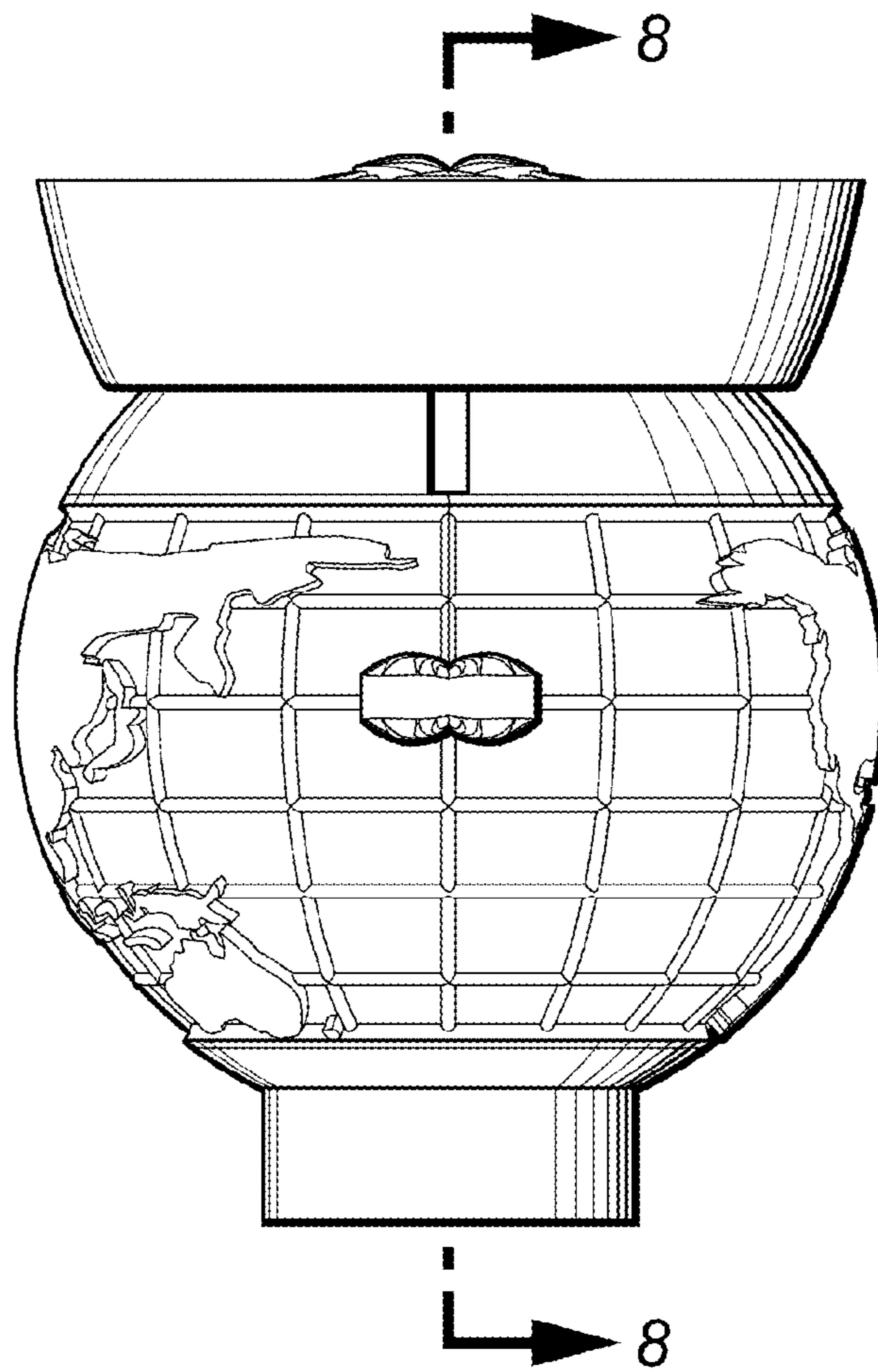


FIG. 5

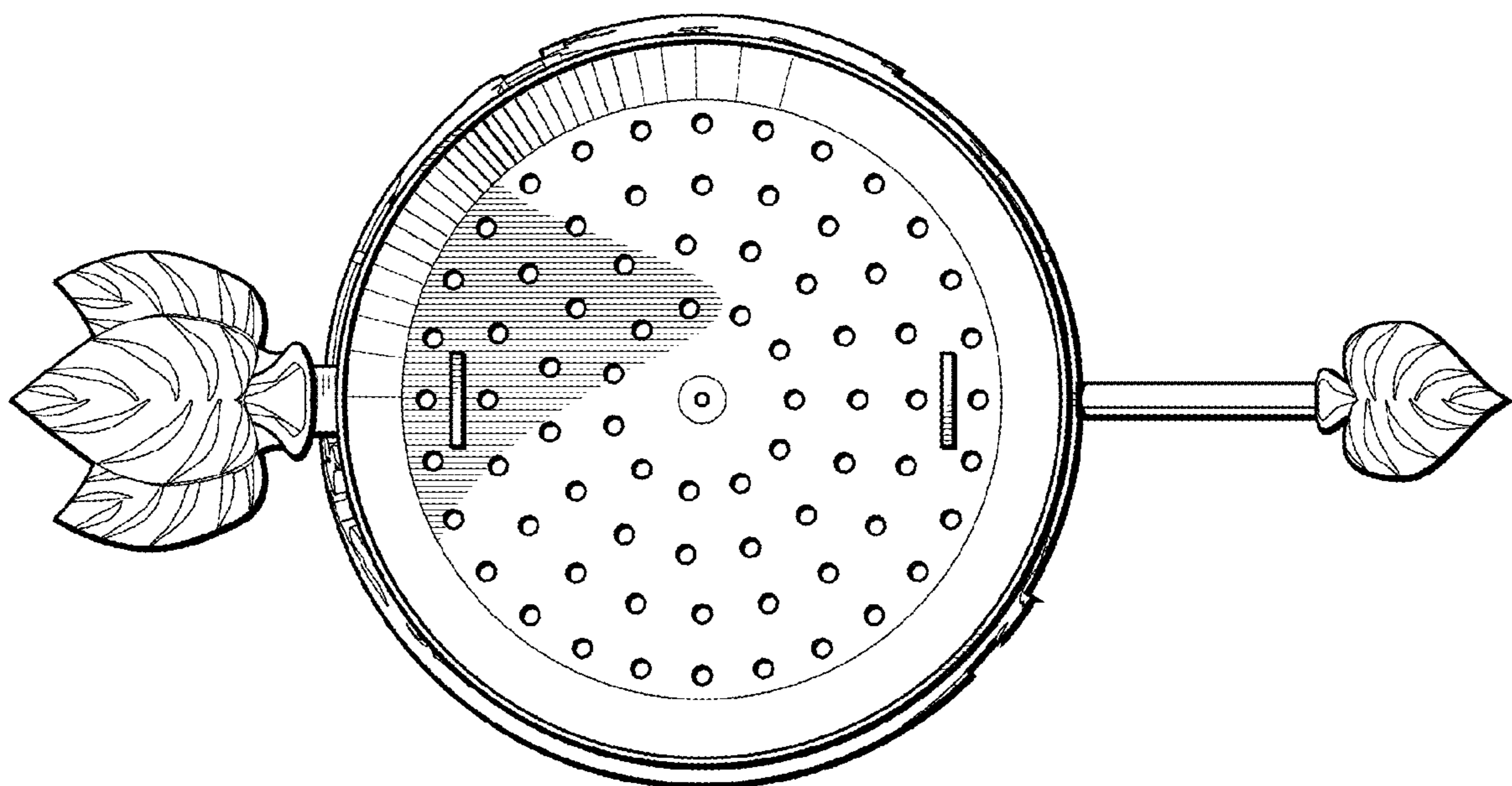


FIG. 6

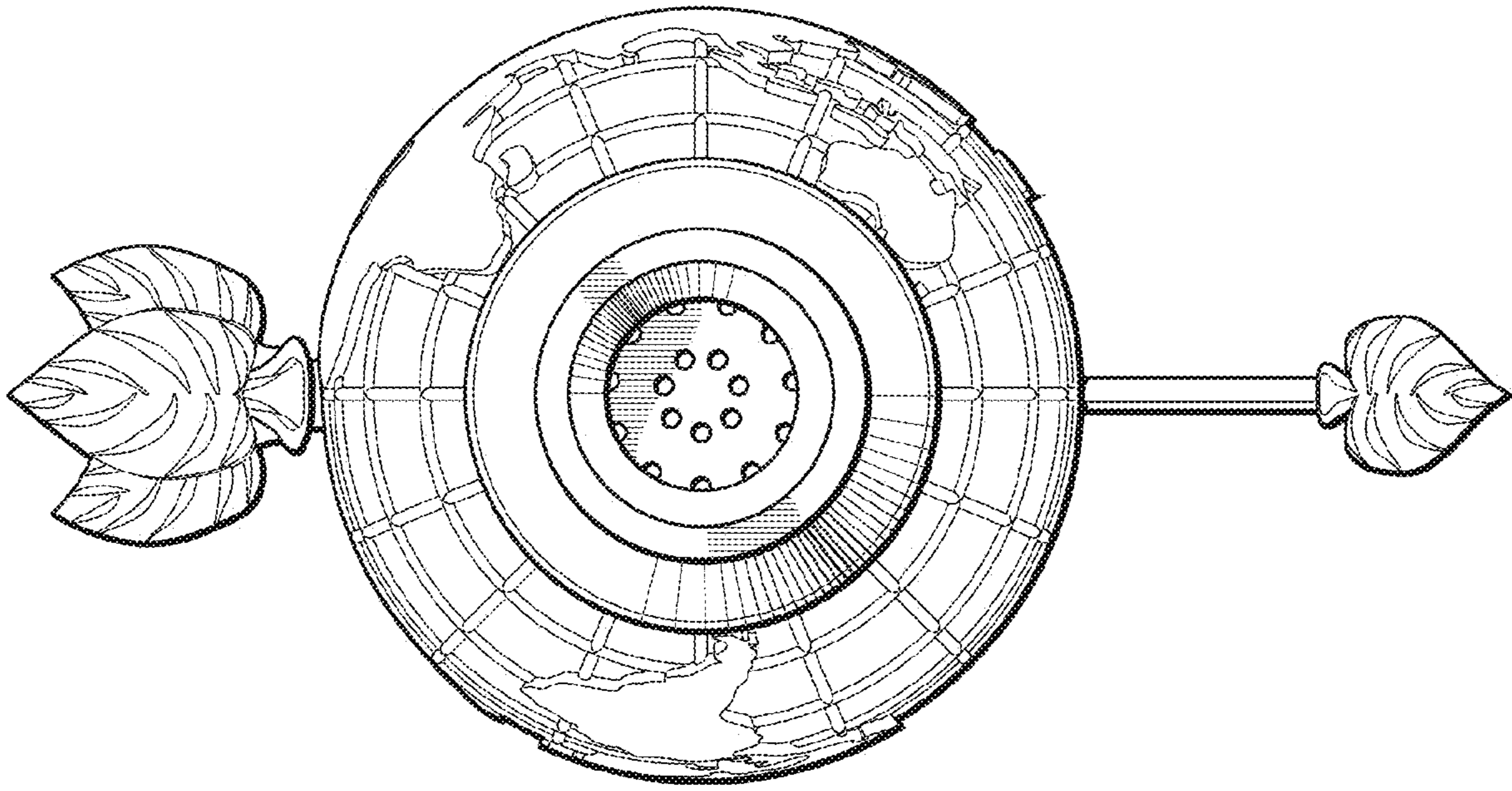


FIG. 7

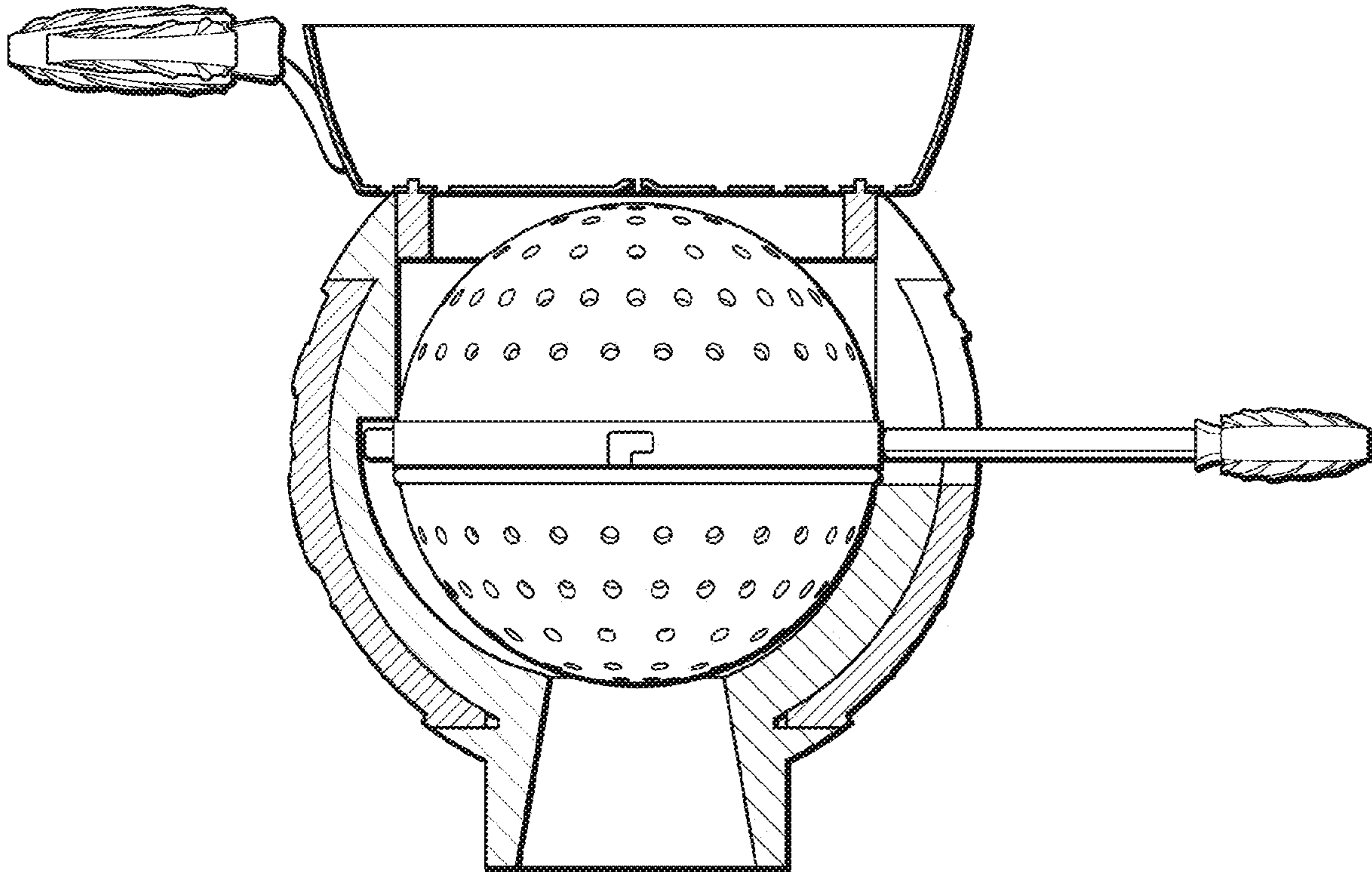


FIG. 8

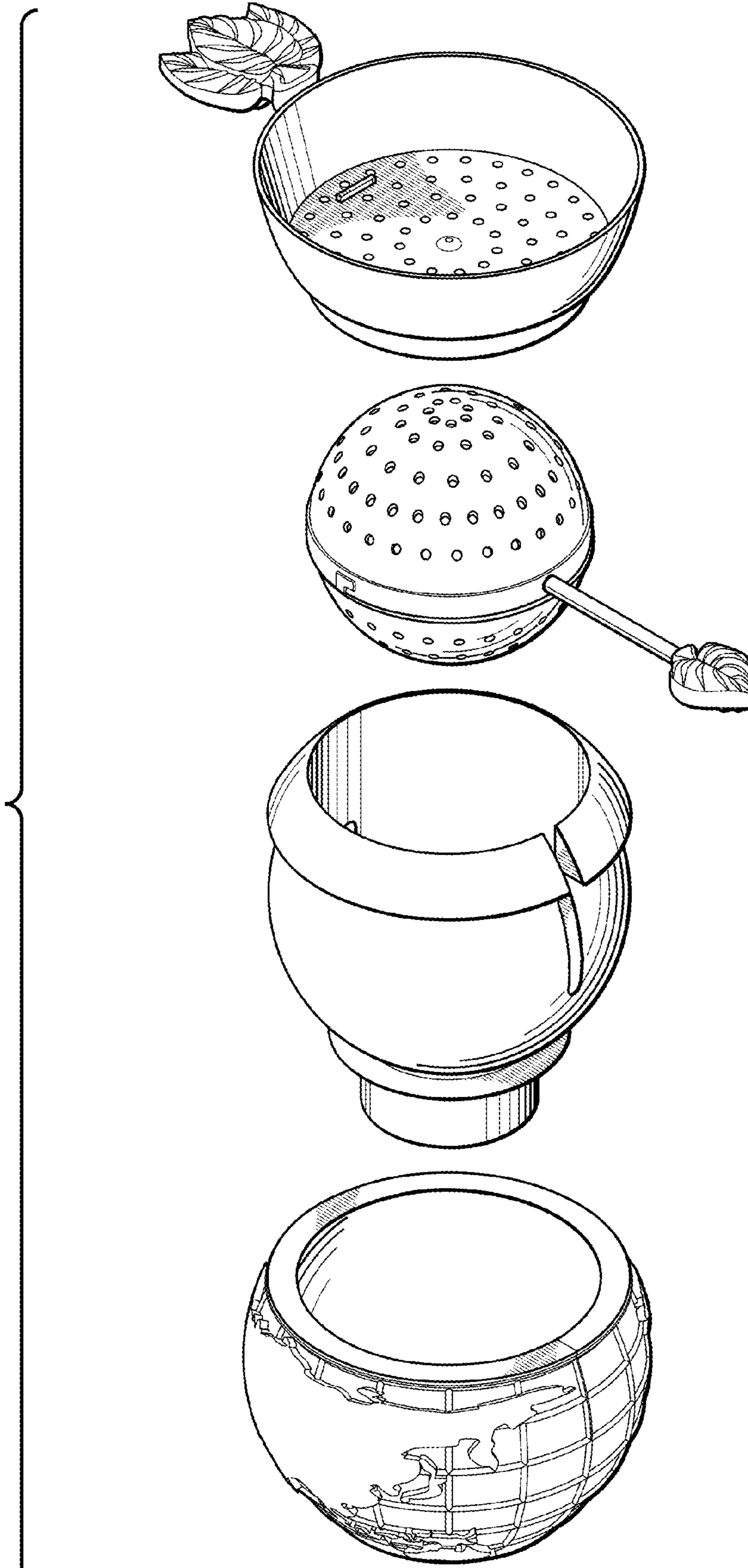


FIG. 9