



US00D879366S

(12) **United States Design Patent**  
**Reynolds**

(10) **Patent No.:** **US D879,366 S**

(45) **Date of Patent:** **\*\* Mar. 24, 2020**

(54) **LIGHT REFLECTOR**

- (71) Applicant: **HGCI, Inc.**, Las Vegas, NV (US)
- (72) Inventor: **Christopher Reynolds**, Vancouver, WA (US)
- (73) Assignee: **HGCI, Inc.**, Las Vegas, NV (US)
- (\*\*) Term: **15 Years**
- (21) Appl. No.: **29/690,903**
- (22) Filed: **May 13, 2019**

**Related U.S. Application Data**

- (63) Continuation of application No. 29/624,824, filed on Nov. 3, 2017, now Pat. No. Des. 848,662.
- (51) **LOC (12) Cl.** ..... **26-99**
- (52) **U.S. Cl.**  
USPC ..... **D26/118**
- (58) **Field of Classification Search**  
USPC ... D26/9, 10, 12, 13, 15, 16, 24, 51, 61, 72, D26/76, 80, 81, 85, 86, 88, 90, 113, 118, D26/119, 120, 122, 128, 129, 138, 143, D26/144  
CPC .... B60Q 1/04; B60Q 1/26; F21S 8/026; F21S 8/04; F21L 19/00; F23D 11/443; F21V 21/02; F21V 29/004; F21V 21/04; F21V 29/2212; F21V 7/22; F21V 29/83; F21V 37/002; F21V 7/00; F21Y 2101/02; A61L 9/037

See application file for complete search history.

(56) **References Cited**

**U.S. PATENT DOCUMENTS**

- D46,253 S 8/1914 Kopp et al.
- D85,382 S 10/1931 Guth
- 1,930,070 A 10/1933 Zecher
- D106,614 S 10/1937 Waterbury
- 2,194,841 A 3/1940 Welch
- D123,768 S 12/1940 Scribner
- D132,786 S 6/1942 Netting
- D133,216 S 7/1942 Parlato

- D135,375 S 3/1943 Biller
- 2,339,100 A 1/1944 Netting
- 2,348,617 A 5/1944 Furedy
- D143,061 S 12/1945 Creed
- D156,014 S 11/1949 Lazerson
- D177,532 S 4/1956 Meyer et al.
- 2,740,883 A 4/1956 Kruger
- 2,740,885 A 4/1956 Kruger
- 3,025,391 A 3/1962 Golko
- D193,802 S 10/1962 Thomsen et al.
- 3,099,403 A 7/1963 Strawick
- 3,125,301 A 3/1964 Stotter
- 3,272,978 A 9/1966 Jackson
- 4,078,169 A 3/1978 Armstrong
- 4,174,533 A 11/1979 Barthes et al.
- D259,738 S 6/1981 Boschetti
- 4,363,371 A 12/1982 Hutchinson
- D268,287 S 3/1983 Boschetti
- 4,531,180 A 7/1985 Hernandez
- 4,669,033 A 5/1987 Lee
- 4,779,178 A 10/1988 Spitz
- 4,796,168 A 1/1989 Peterson
- 4,814,954 A 3/1989 Spitz
- 4,933,821 A 6/1990 Anderson
- D311,597 S 10/1990 Poot
- D323,897 S 2/1992 Compton
- 5,132,885 A 7/1992 Hocheim et al.
- 5,192,129 A 3/1993 Figueroa
- 5,195,822 A 3/1993 Takahashi et al.
- 5,199,784 A 4/1993 Hempleman
- 5,249,110 A 9/1993 Russello et al.
- 5,253,152 A 10/1993 Yang et al.
- D352,126 S 11/1994 Ruud et al.
- 5,440,470 A 8/1995 Ly
- 5,457,450 A 10/1995 Deese et al.
- 5,570,947 A 11/1996 Felland
- D376,437 S 12/1996 Karlo et al.
- D377,234 S 1/1997 Roberts et al.
- 5,615,943 A 4/1997 Coldren
- D383,243 S 9/1997 Fry et al.
- D397,481 S 8/1998 Schafer
- D399,328 S 10/1998 Compton
- D400,289 S 10/1998 Wardenburg et al.
- D413,176 S 8/1999 Mier-Langer
- D415,304 S 10/1999 Brown
- D418,626 S 1/2000 Herst et al.
- 6,024,468 A 2/2000 Kassay et al.
- 6,042,250 A 3/2000 Stragnola
- 6,053,624 A 4/2000 Cronk
- D425,237 S 5/2000 Scott
- 6,079,851 A 6/2000 Altman et al.
- D428,516 S 7/2000 Reo et al.
- 6,231,209 B1 5/2001 Leibig et al.

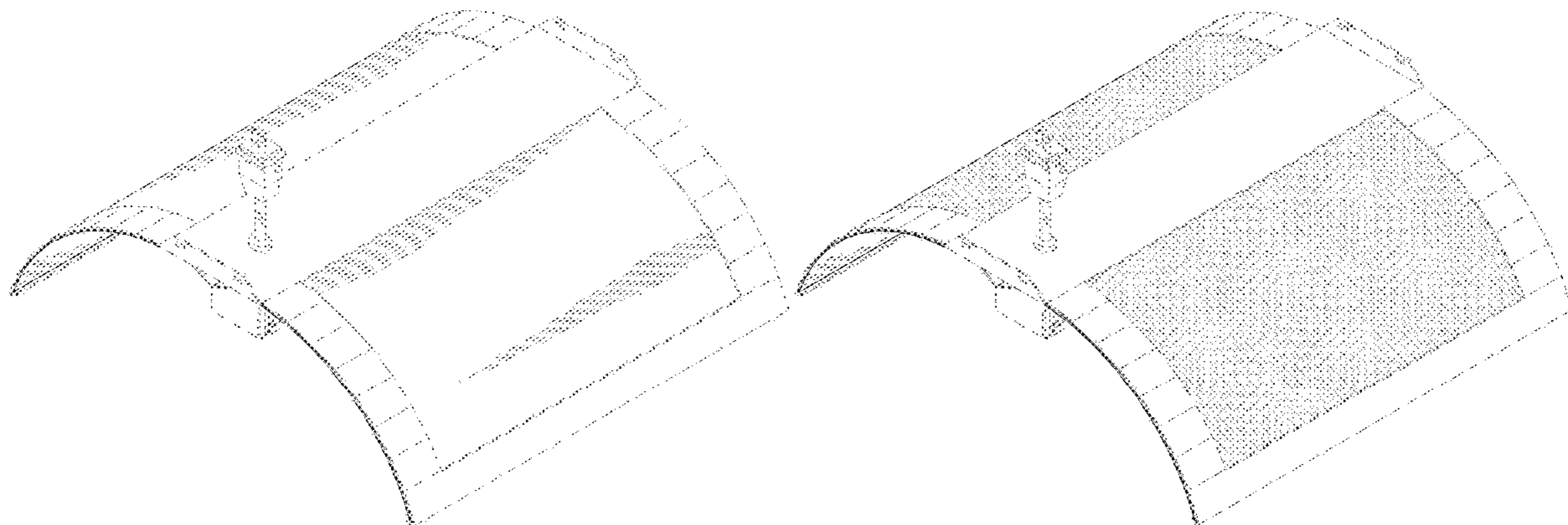




FIG. 6 is a rear elevation view of the light reflector shown in FIG. 1;

FIG. 7 is a top plan view of the light reflector shown in FIG. 1;

FIG. 8 is a bottom plan view of the light reflector shown in FIG. 1;

FIG. 9 is a perspective view of a second embodiment of a light reflector, stippled for a contrasted color or surface finish appearance, as viewed from above, showing my new design;

FIG. 10 is a perspective view of the light reflector shown in FIG. 9, as viewed from below;

FIG. 11 is a left side view of the light reflector shown in FIG. 9;

FIG. 12 is a right side view of the light reflector shown in FIG. 9;

FIG. 13 is a front elevation view of the light reflector shown in FIG. 9;

FIG. 14 is a rear elevation view of the light reflector shown in FIG. 9;

FIG. 15 is a top plan view of the light reflector shown in FIG. 9;

FIG. 16 is a bottom plan view of the light reflector shown in FIG. 9;

FIG. 17 is a perspective view of a third embodiment of a light reflector, stippled for a contrasted color or surface finish appearance, as viewed from above, showing my new design;

FIG. 18 is a perspective view of the light reflector shown in FIG. 1, as viewed from below;

FIG. 19 is a left side view of the light reflector shown in FIG. 1;

FIG. 20 is a right side view of the light reflector shown in FIG. 1;

FIG. 21 is a front elevation view of the light reflector shown in FIG. 1;

FIG. 22 is a rear elevation view of the light reflector shown in FIG. 1;

FIG. 23 is a top plan view of the light reflector shown in FIG. 1; and,

FIG. 24 is a bottom plan view of the light reflector shown in FIG. 1.

The broken-line disclosure shown in the views is understood to represent portions of the article in which the claimed design is embodied, but which form no part of the claimed design.

The stippling shown in the drawings illustrate portions of the light reflector to which color or surface treatment form a part of the claimed design, and the stippling itself forms no part of the claimed design.

**1 Claim, 21 Drawing Sheets**

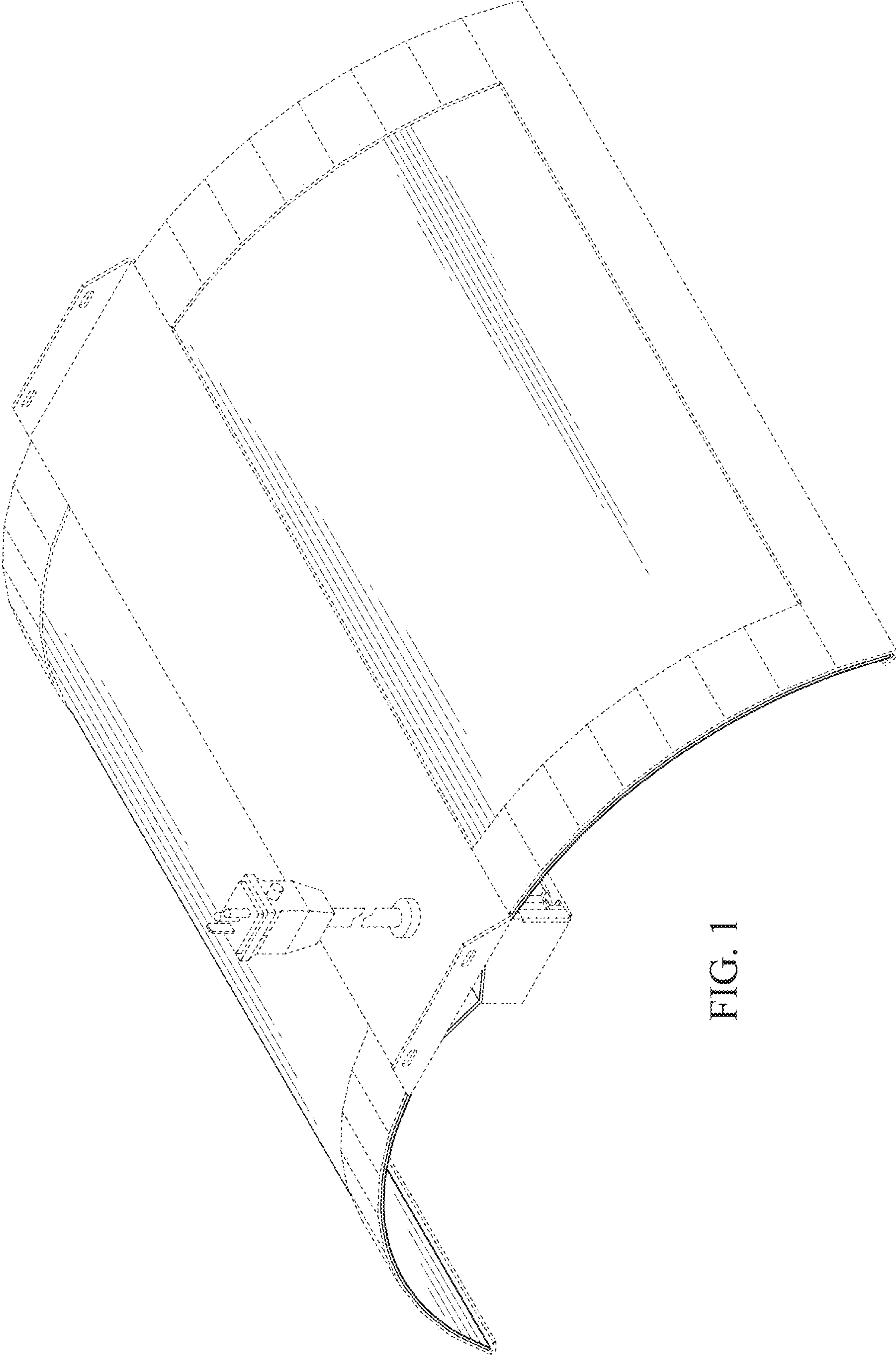


FIG. 1

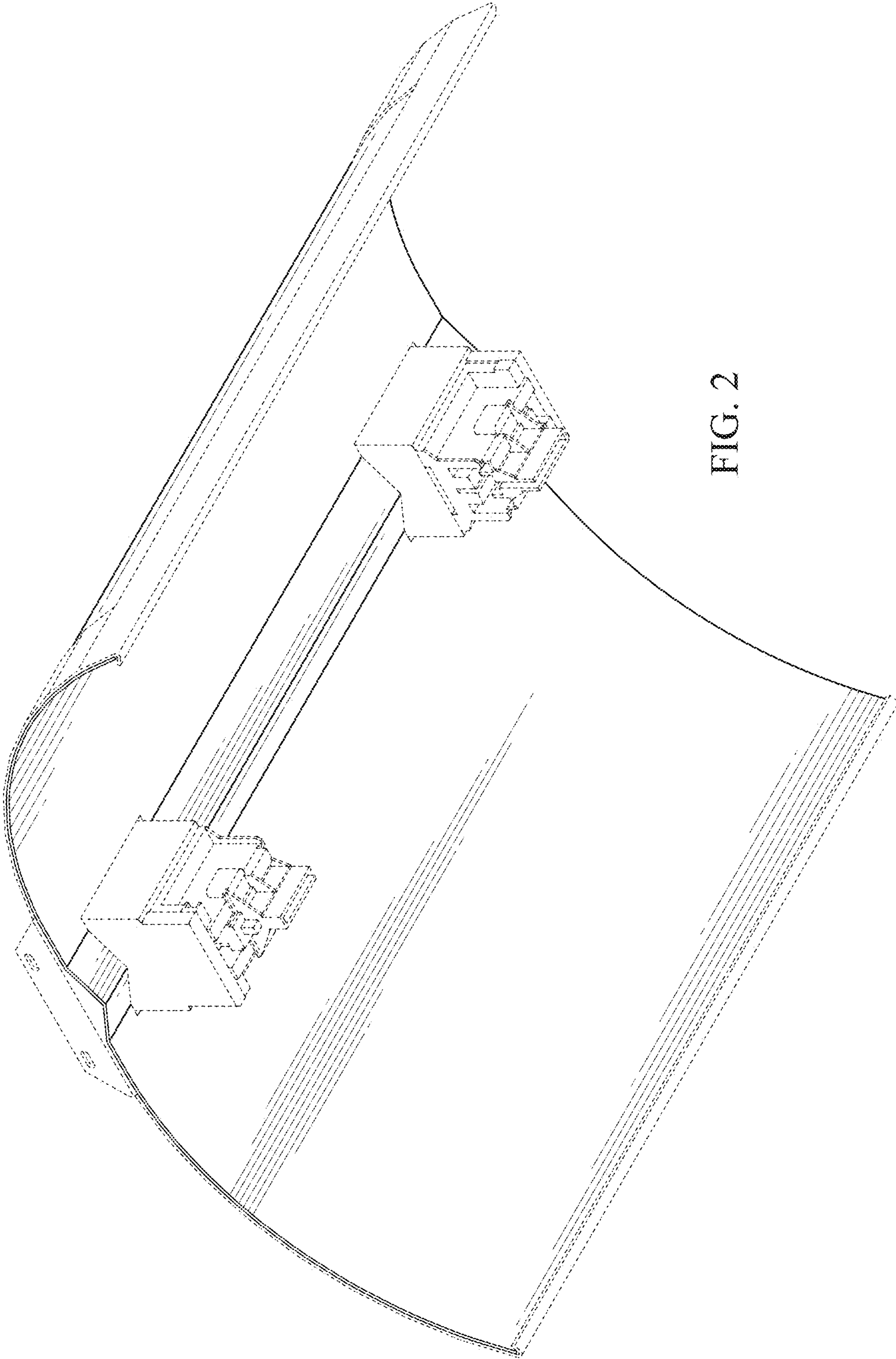


FIG. 2

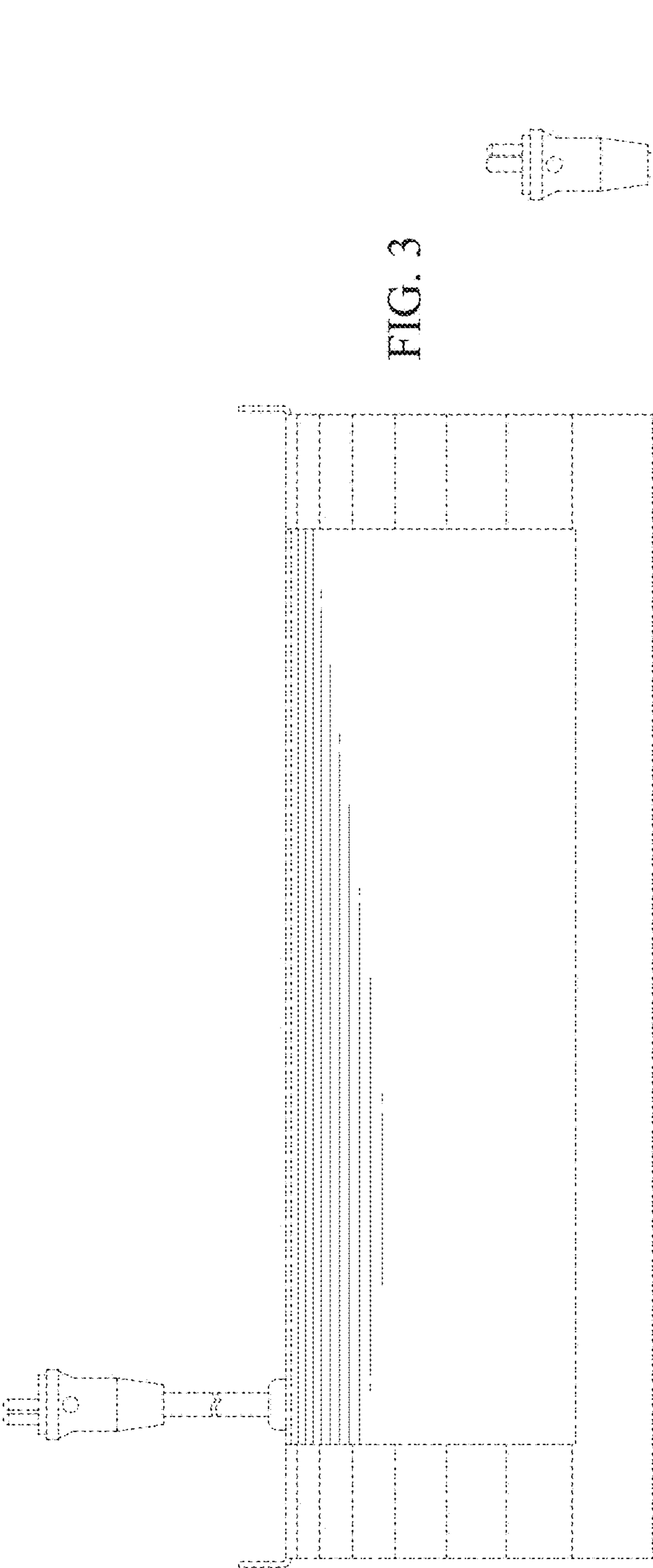


FIG. 3

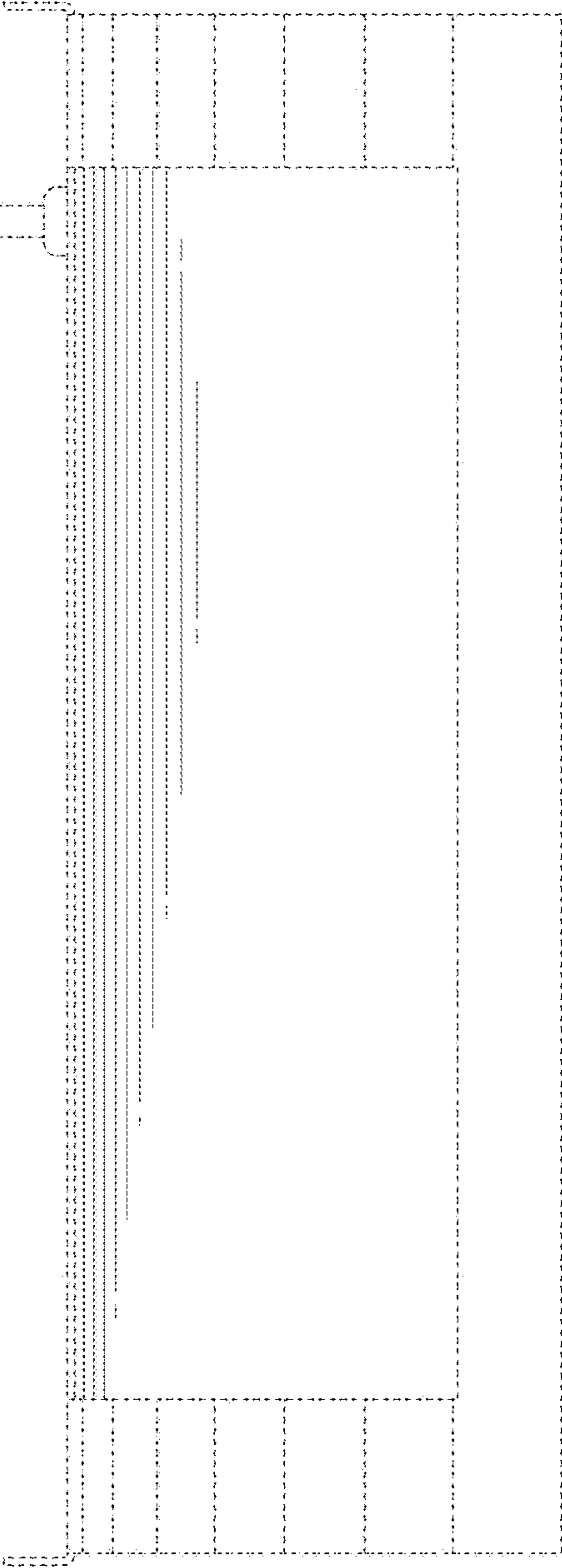


FIG. 4

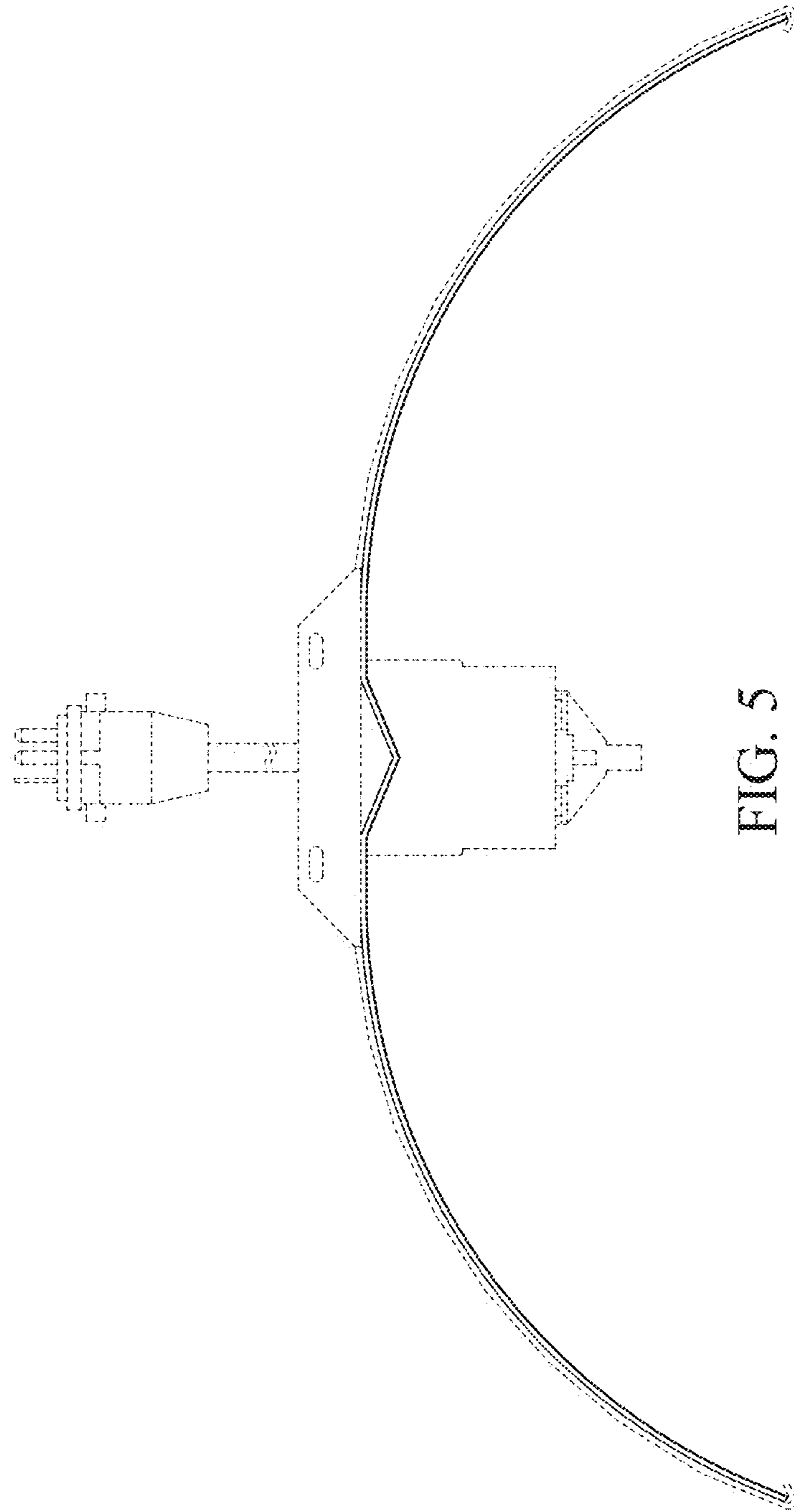


FIG. 5

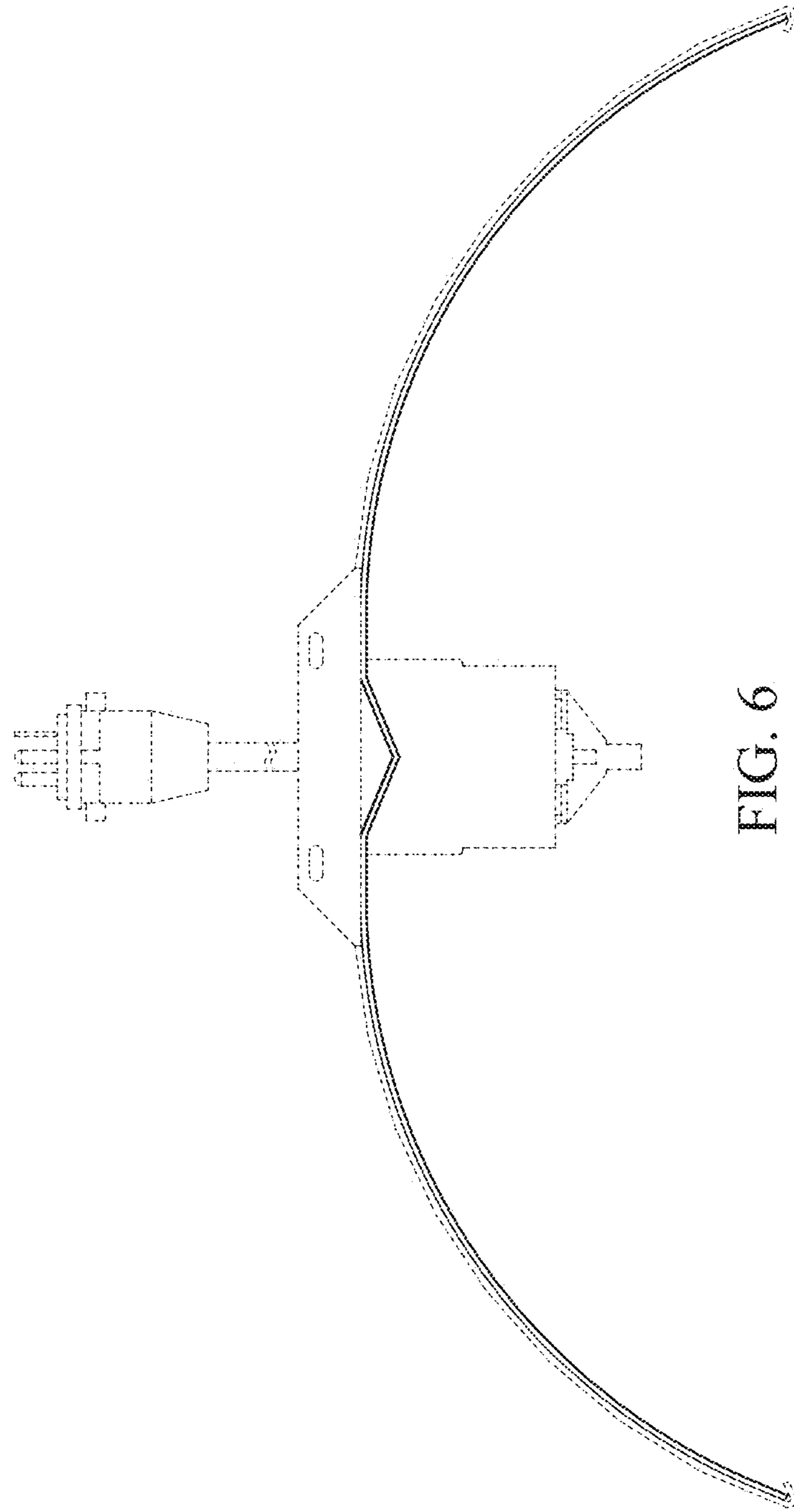


FIG. 6



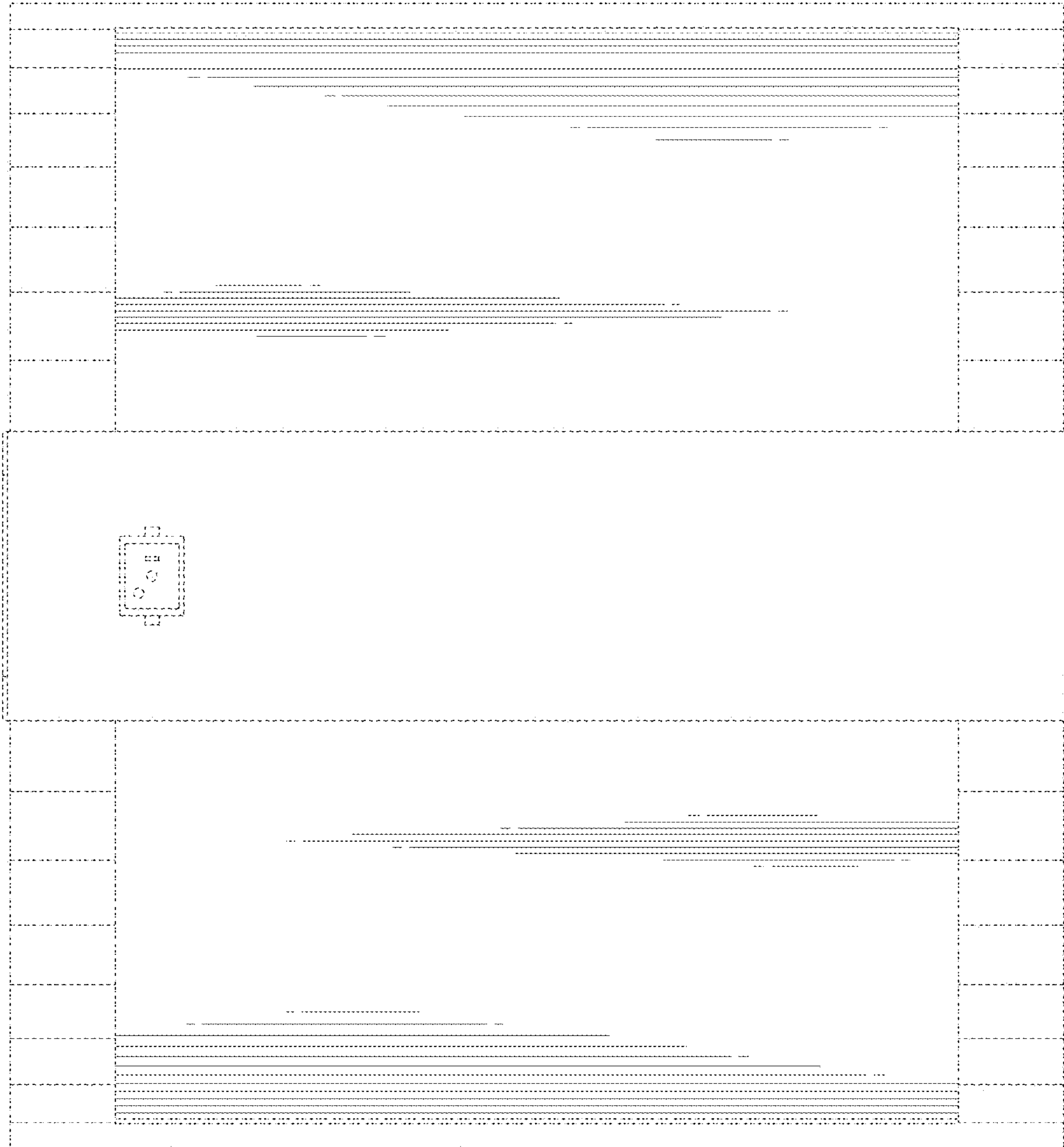


FIG. 7

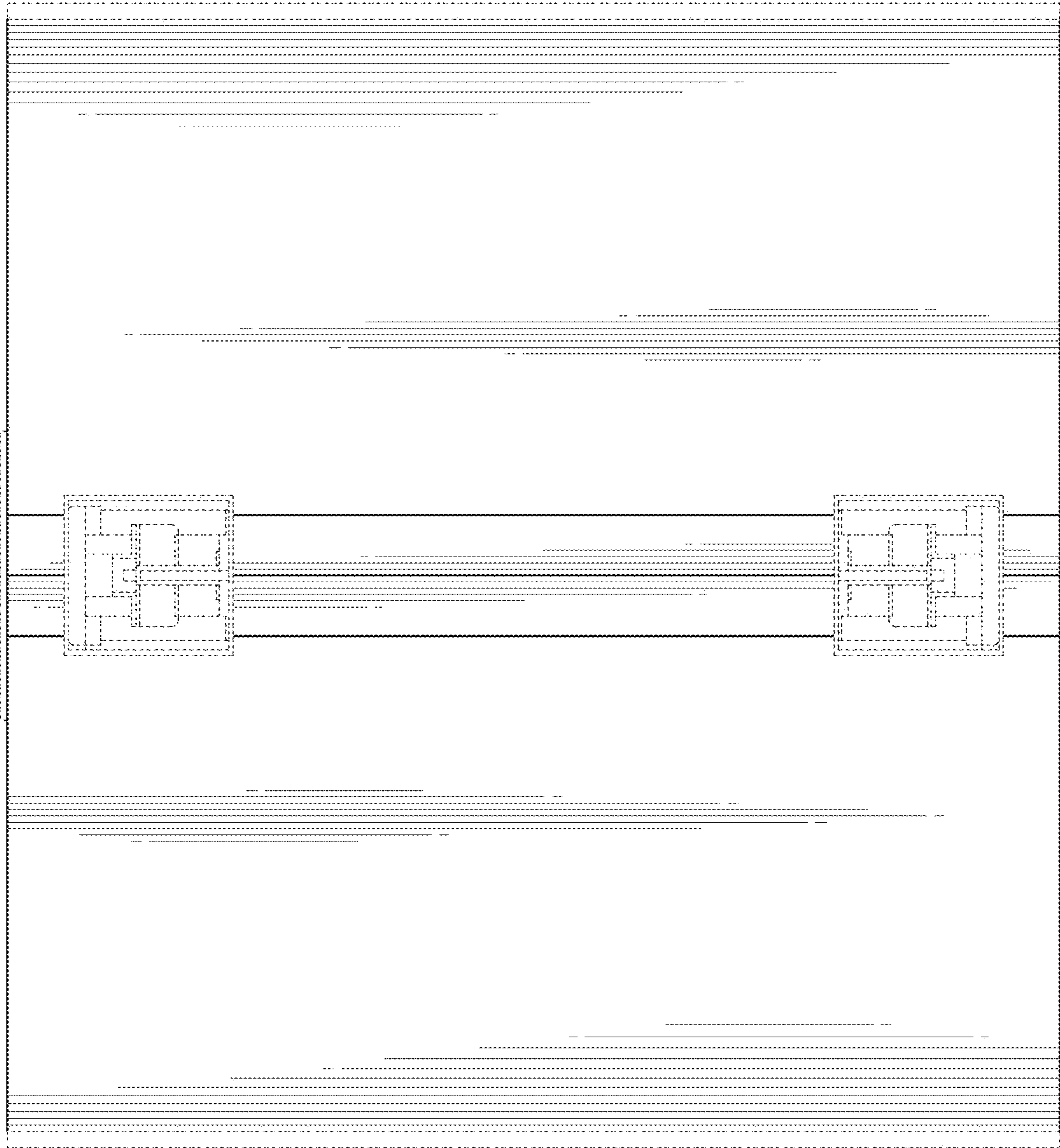


FIG. 8

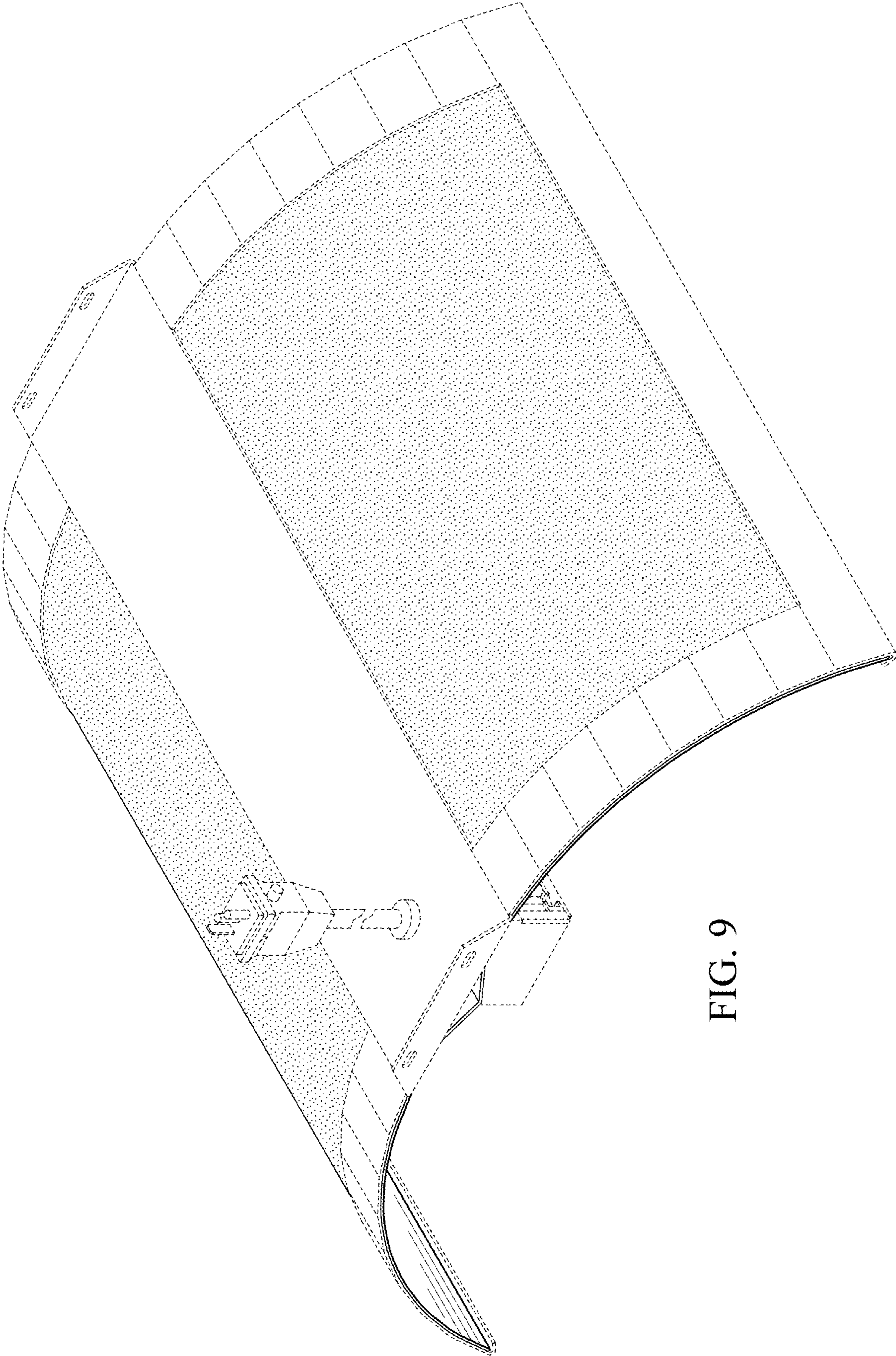


FIG. 9

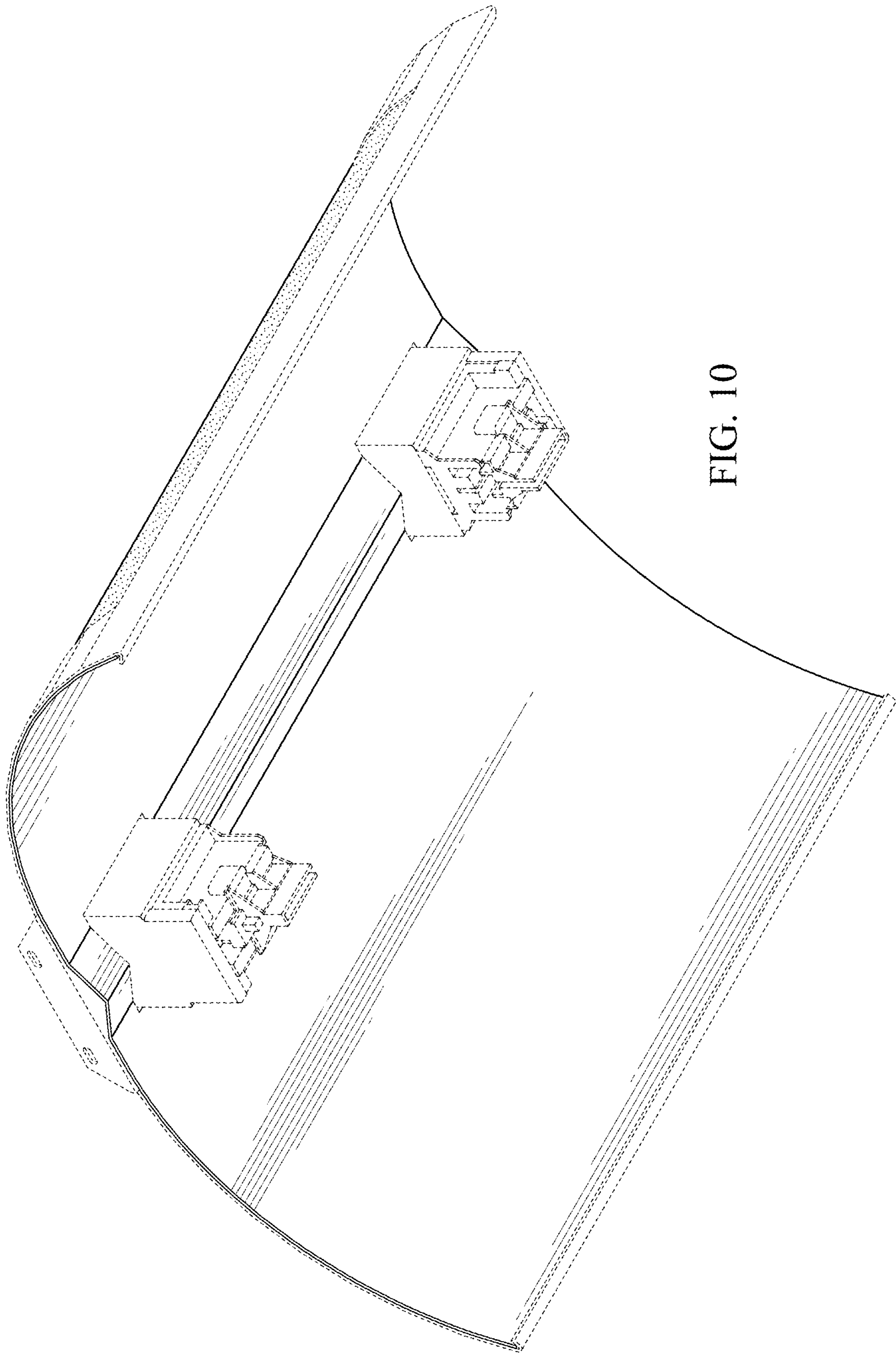


FIG. 10

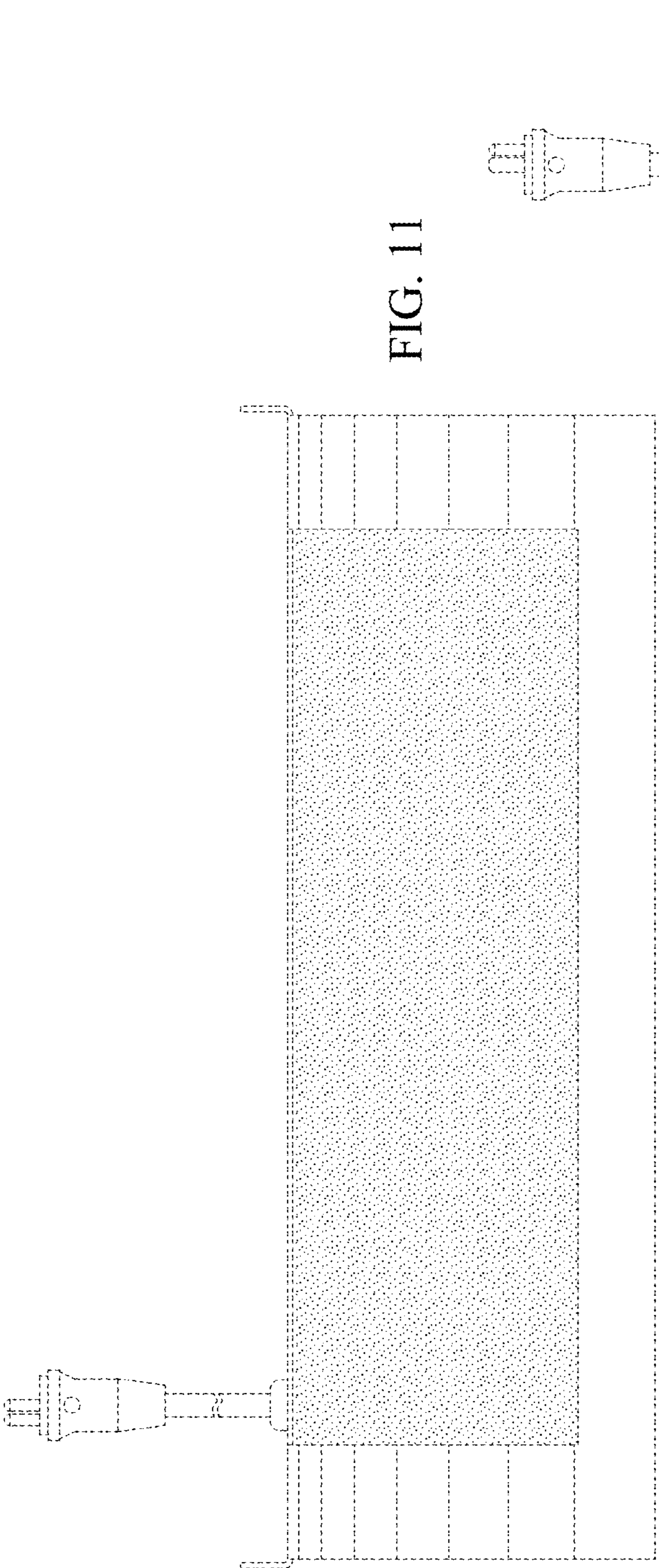


FIG. 11

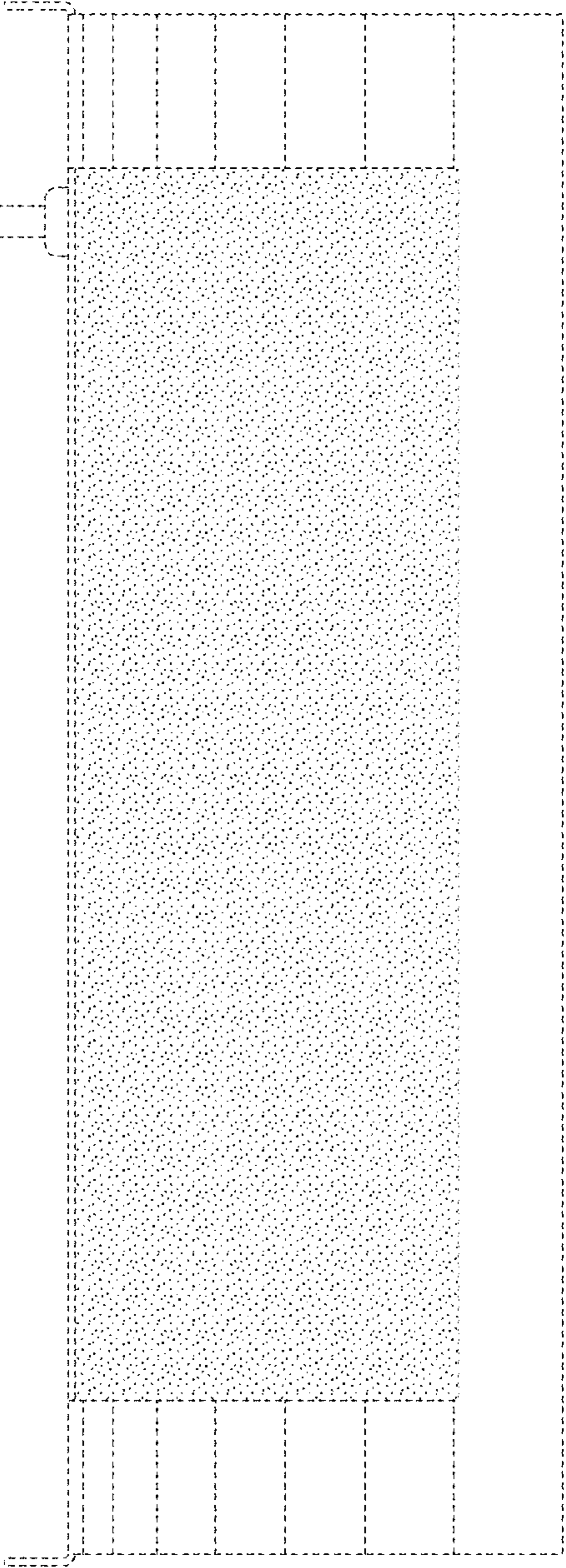


FIG. 12

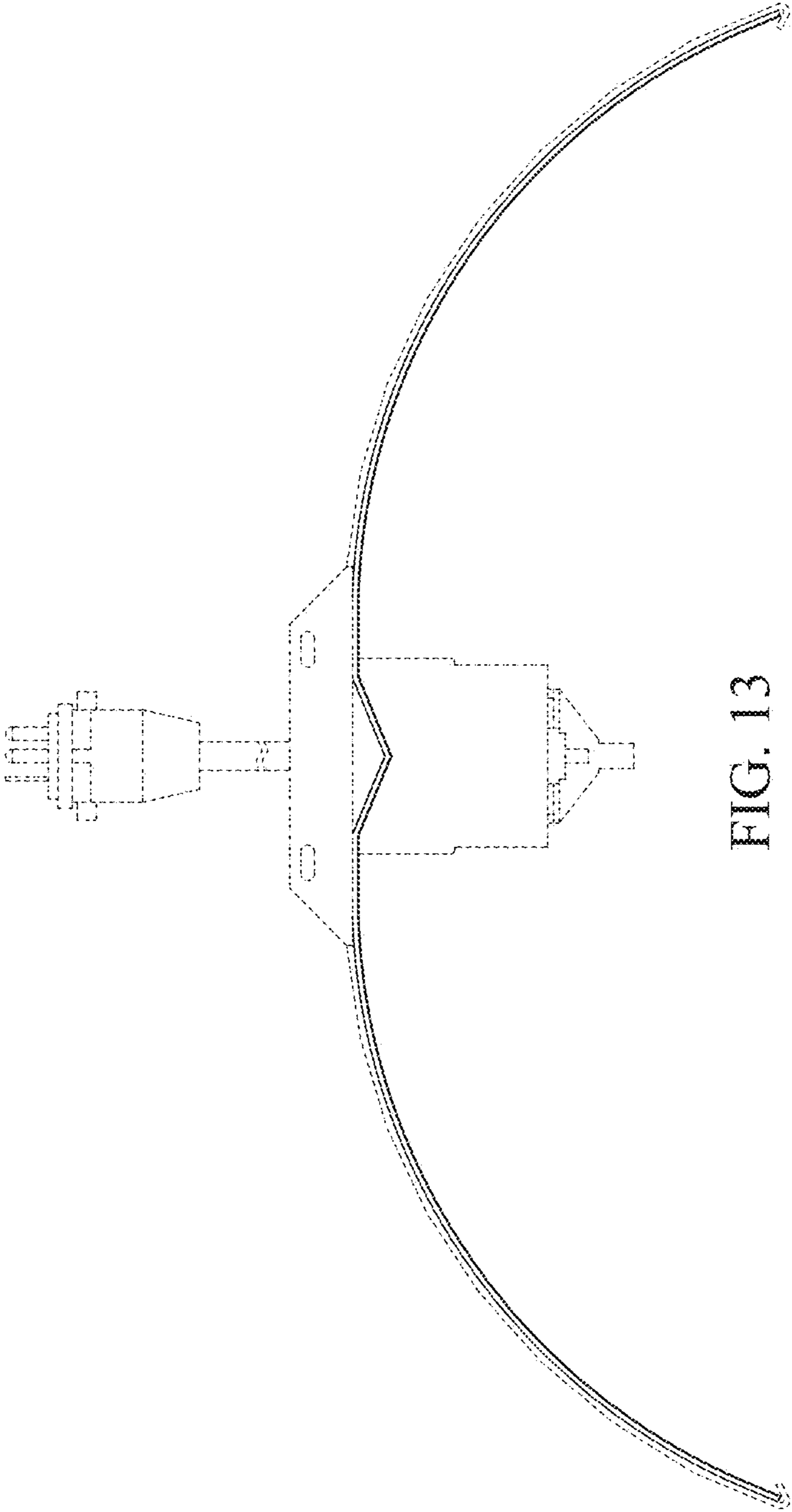


FIG. 13

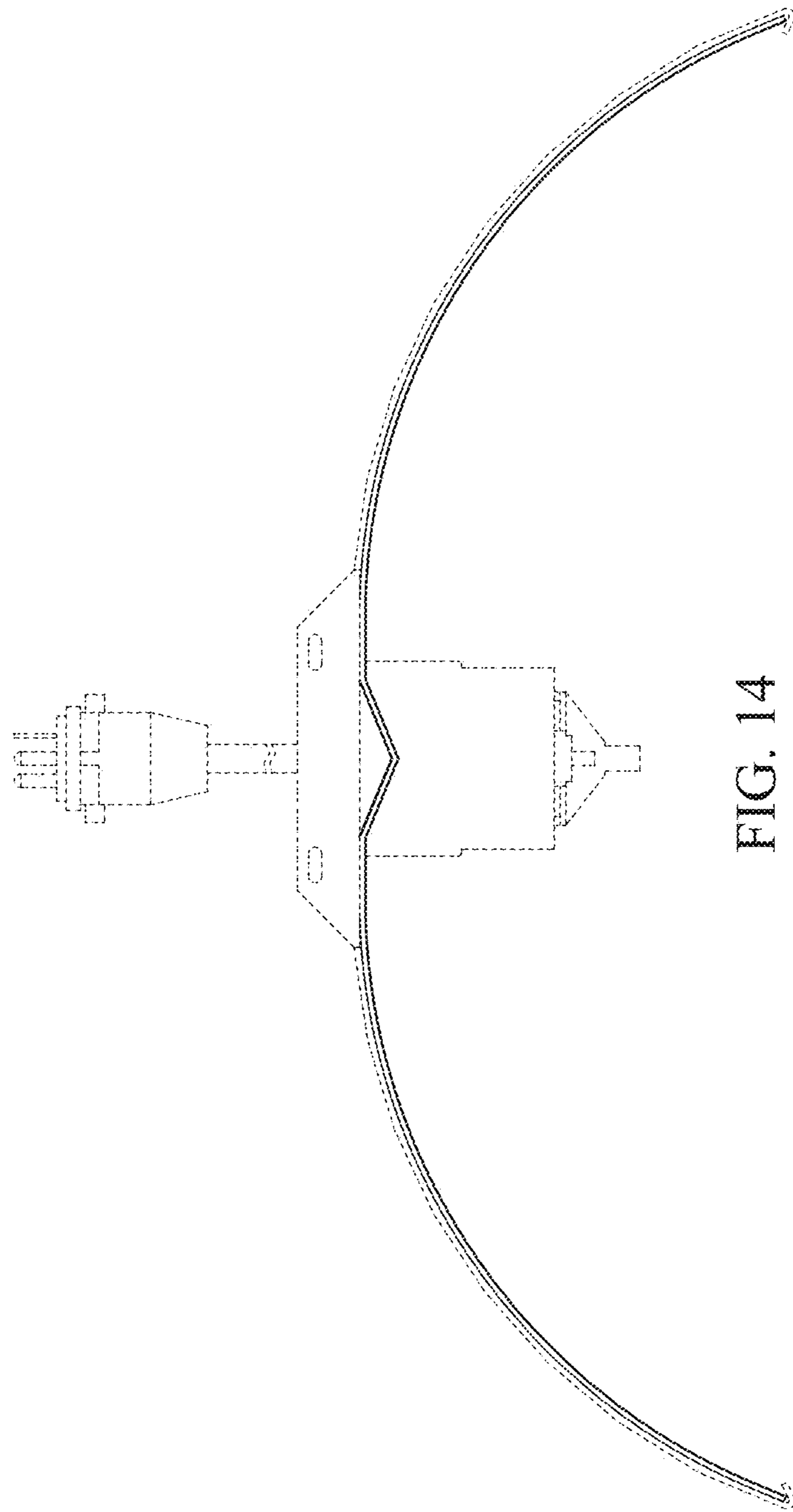


FIG. 14

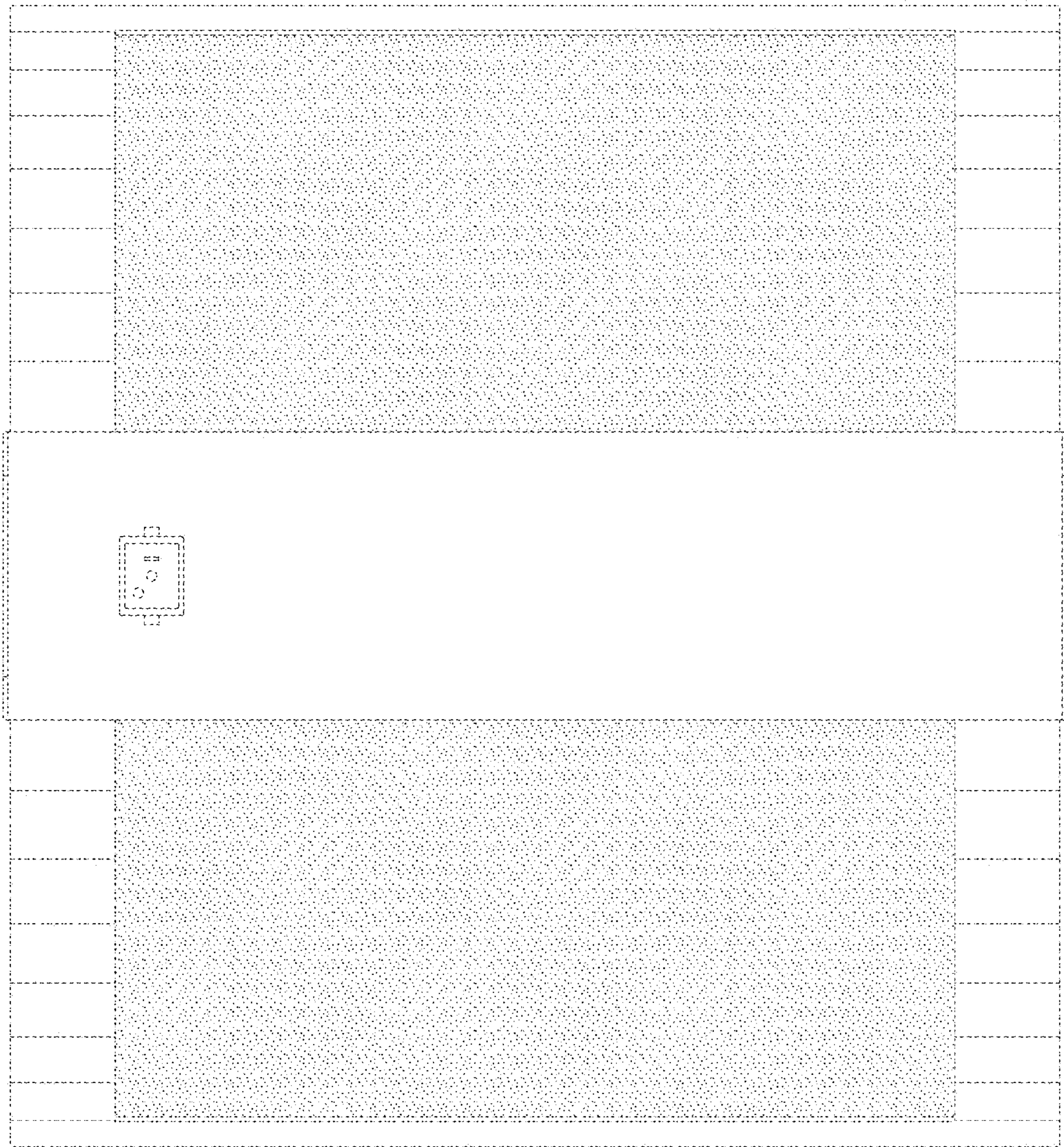


FIG. 15



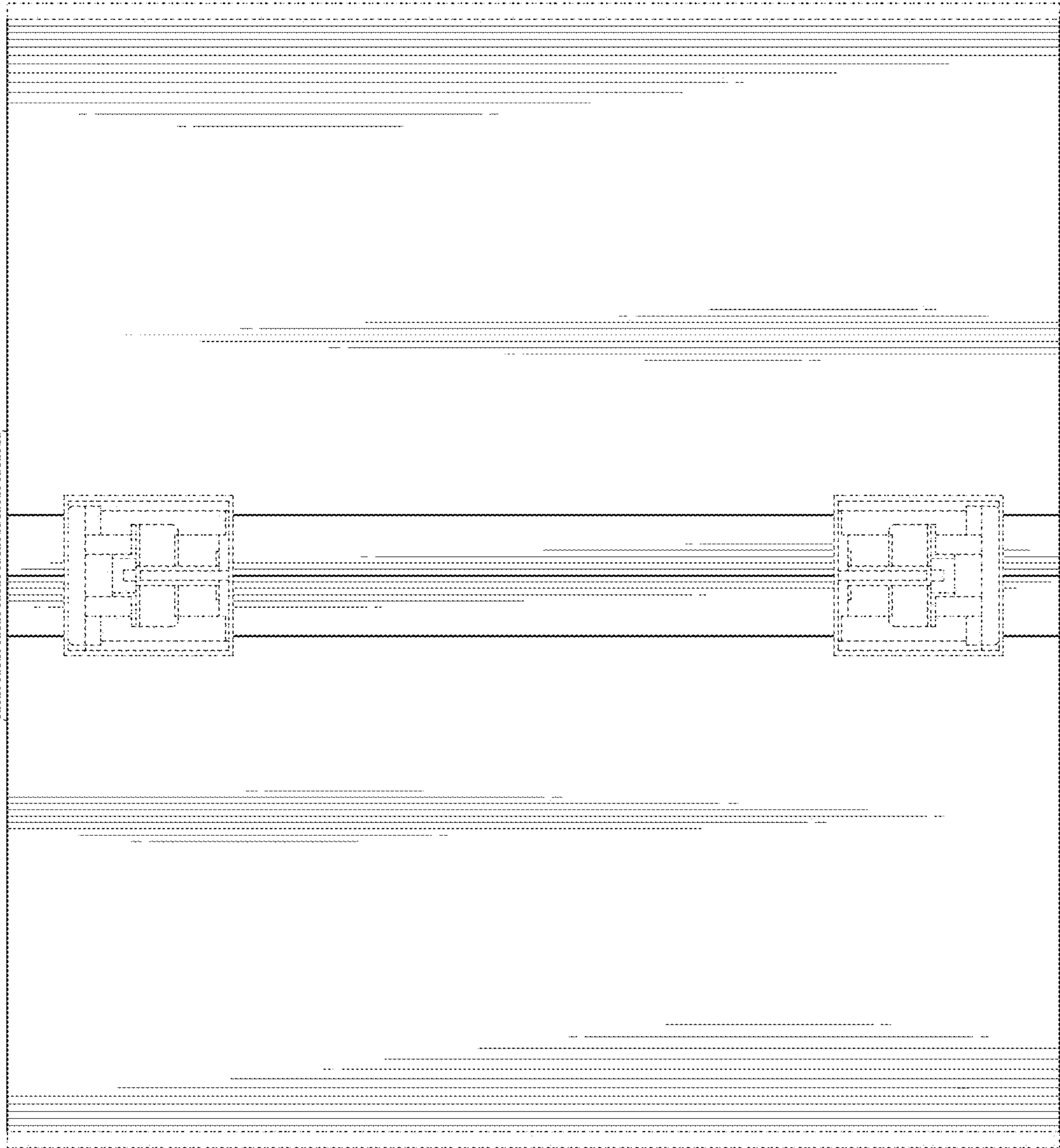


FIG. 16

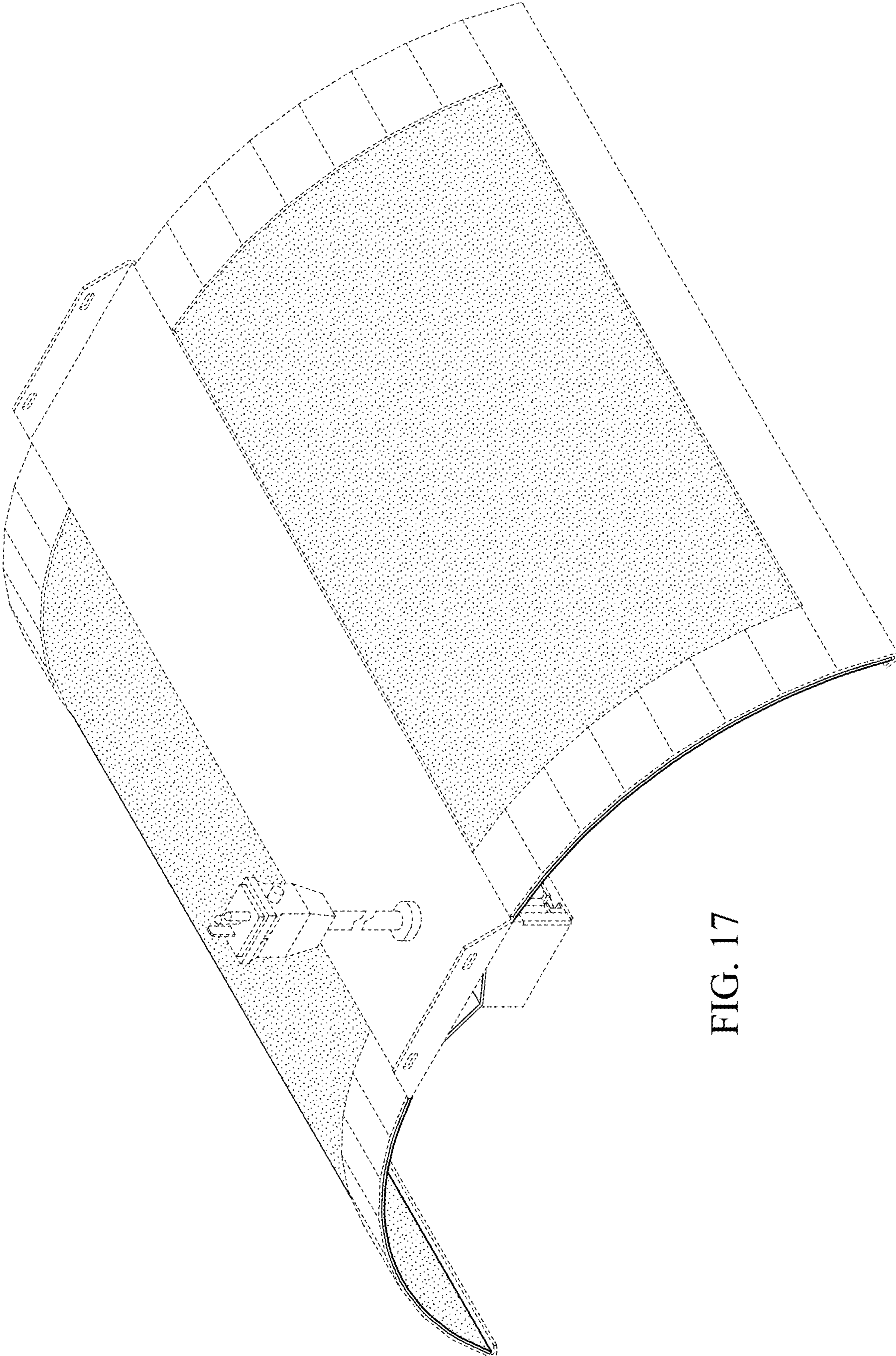


FIG. 17

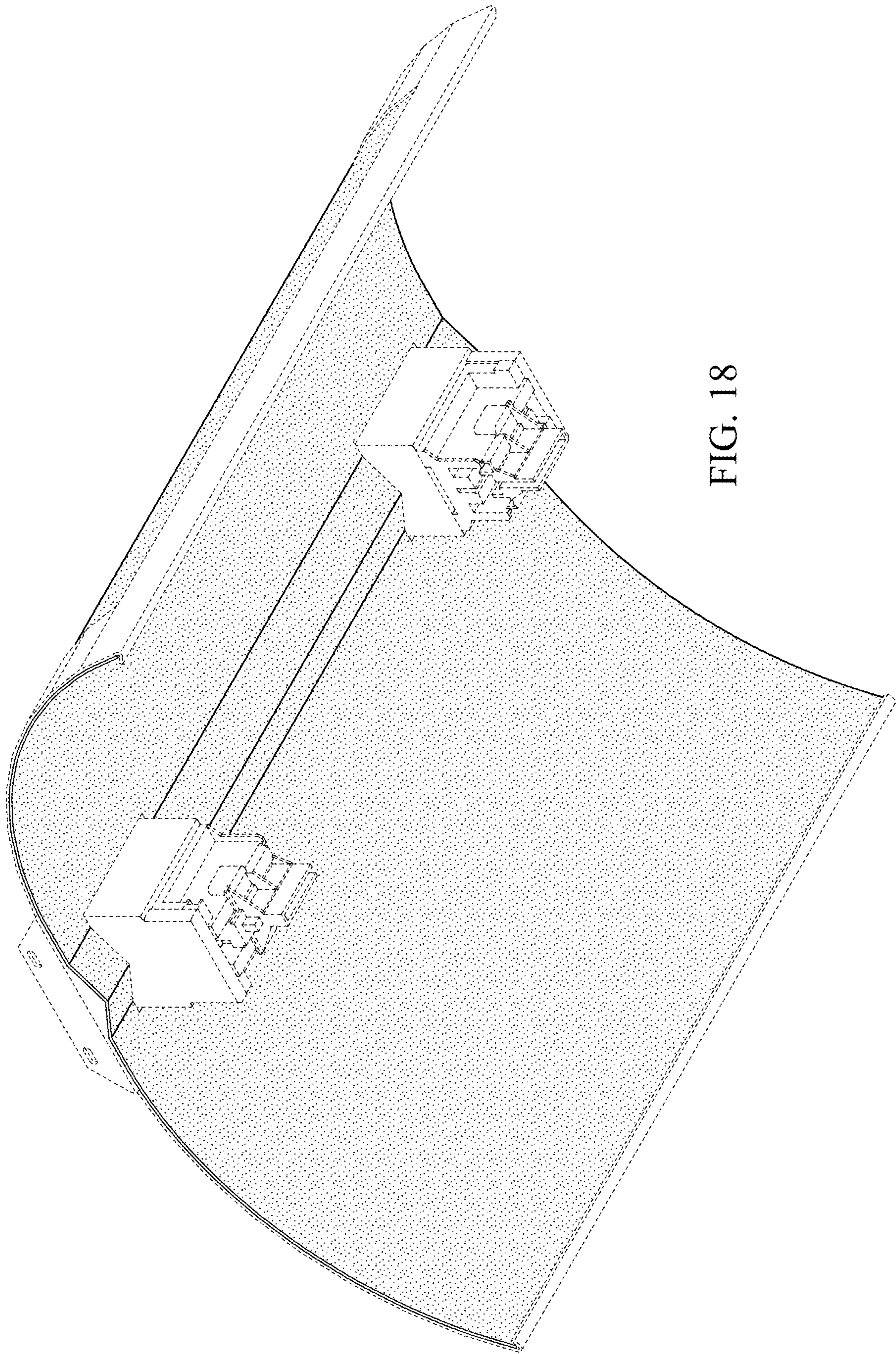


FIG. 18

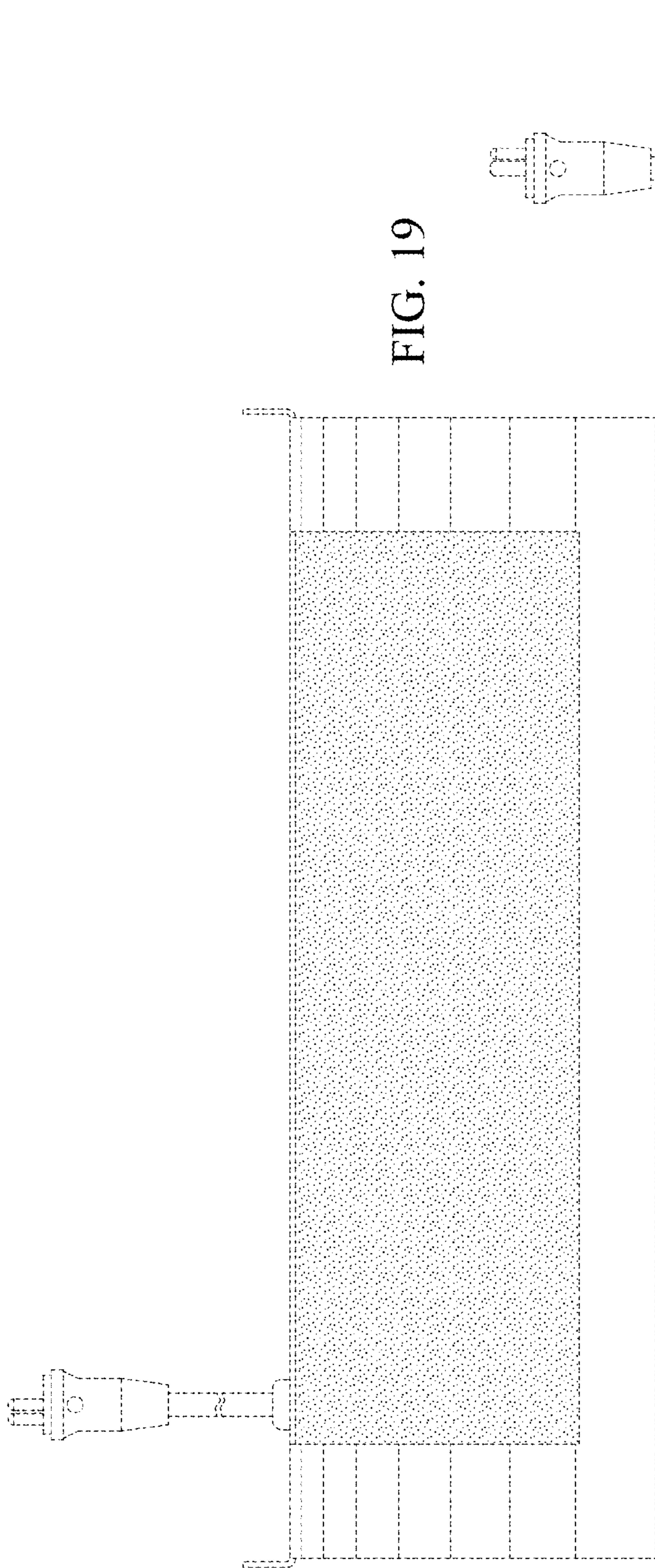


FIG. 19

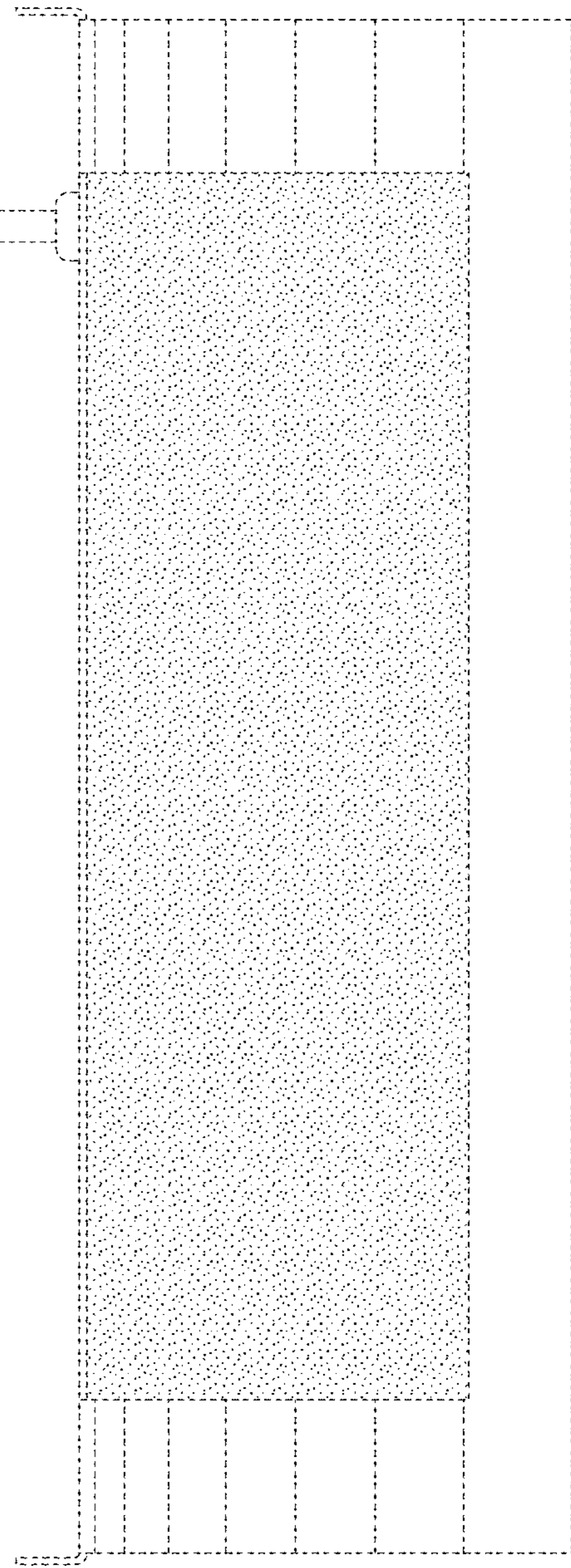


FIG. 20

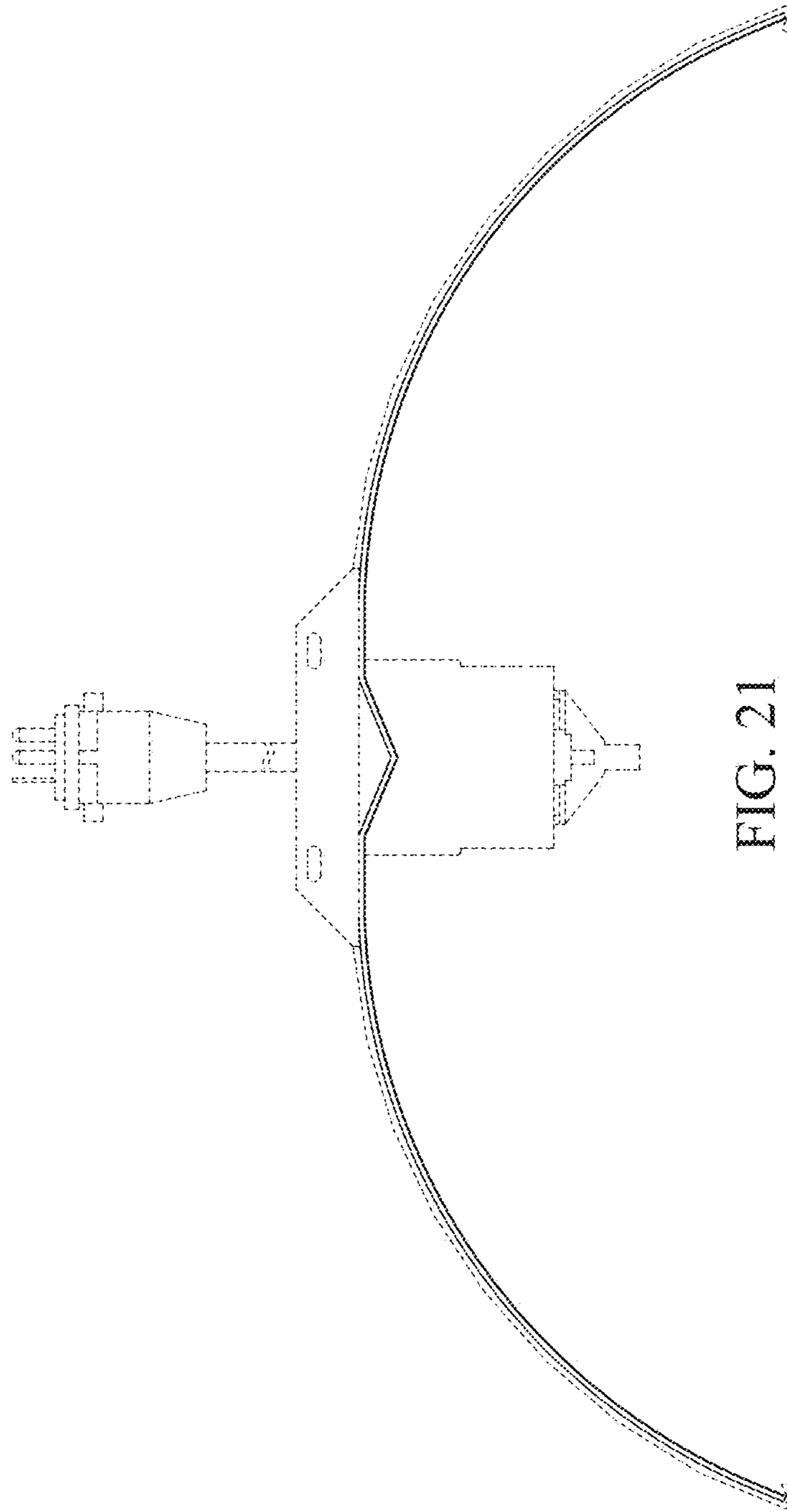


FIG. 21

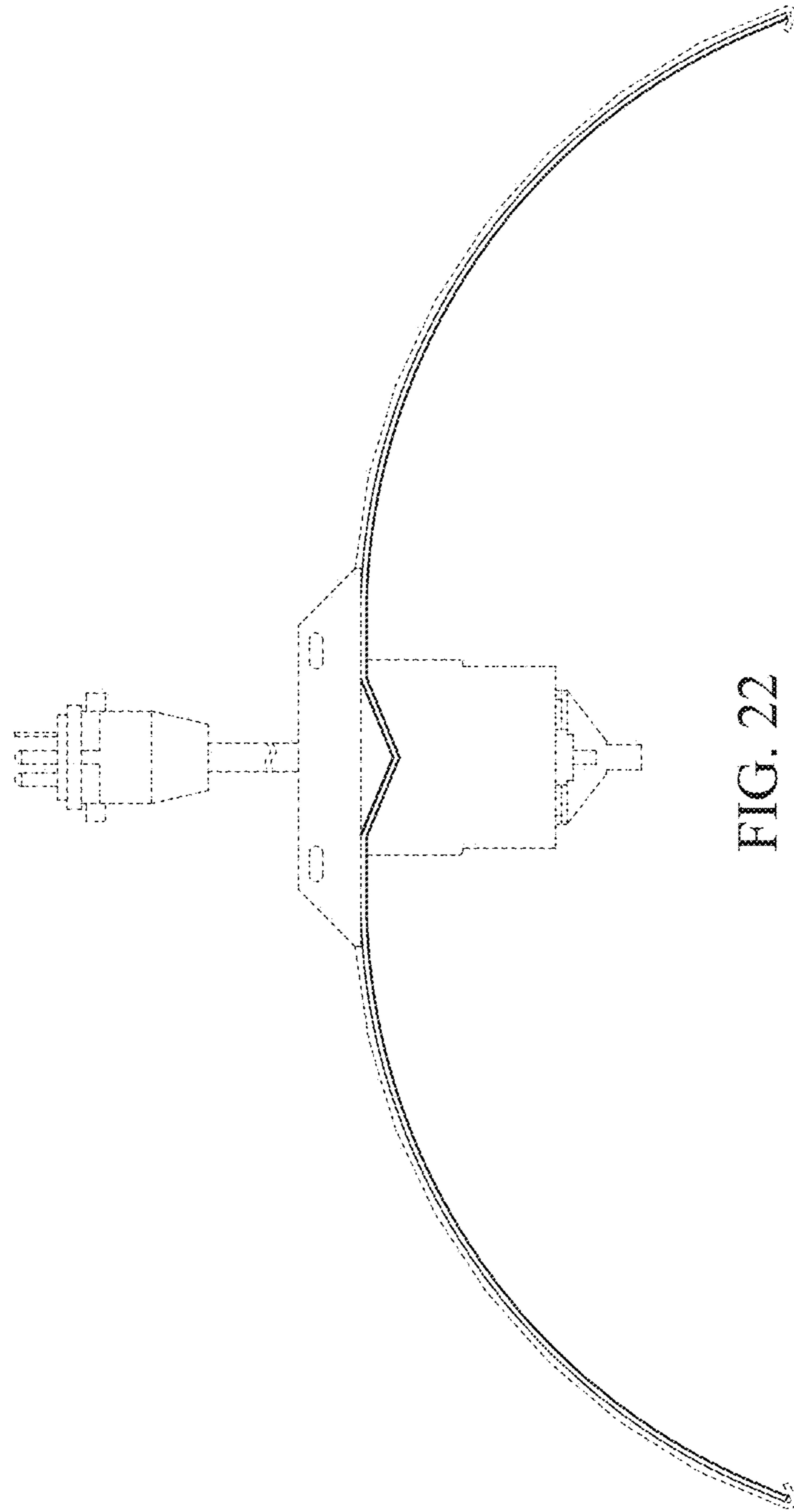


FIG. 22

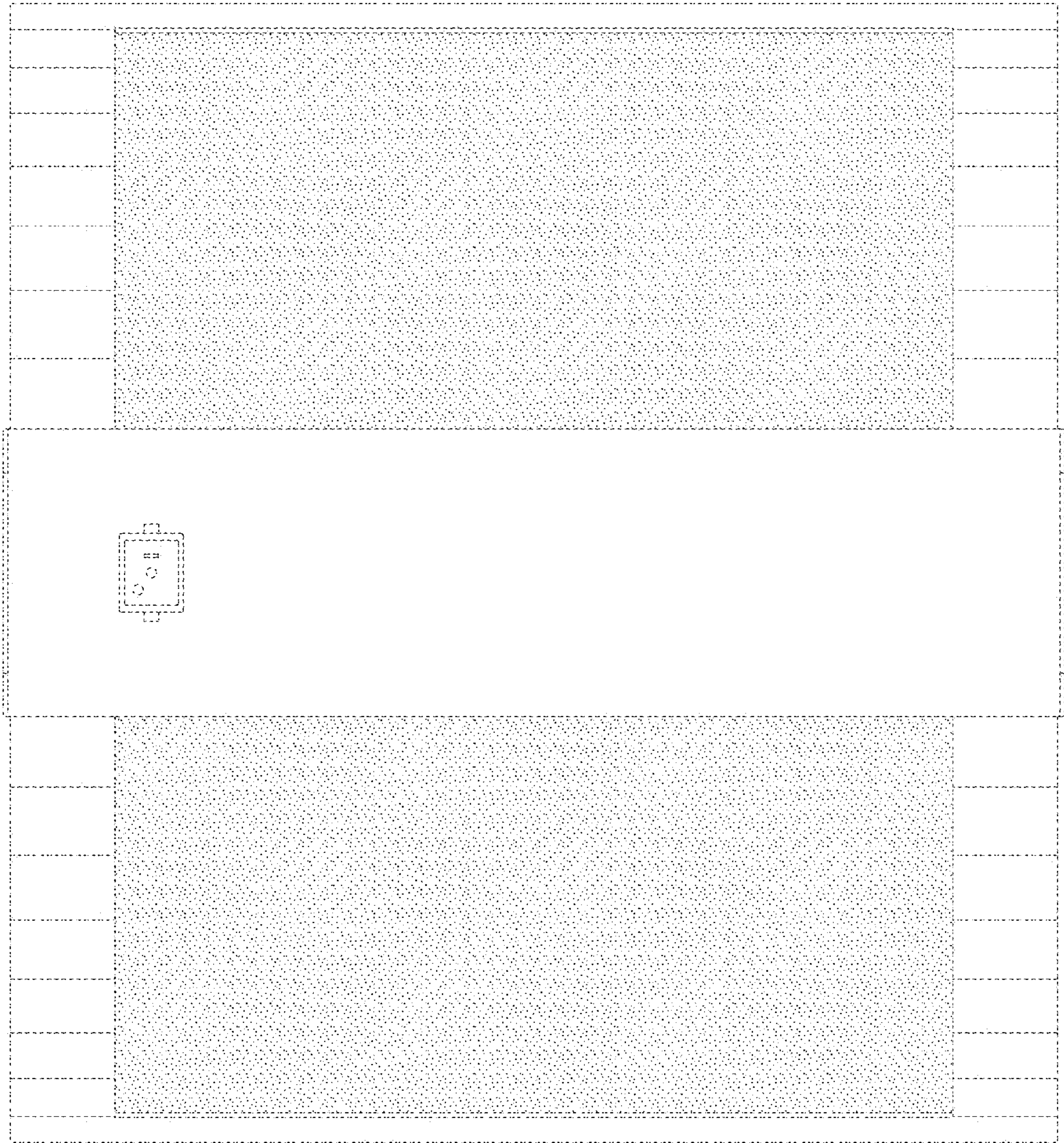


FIG. 23

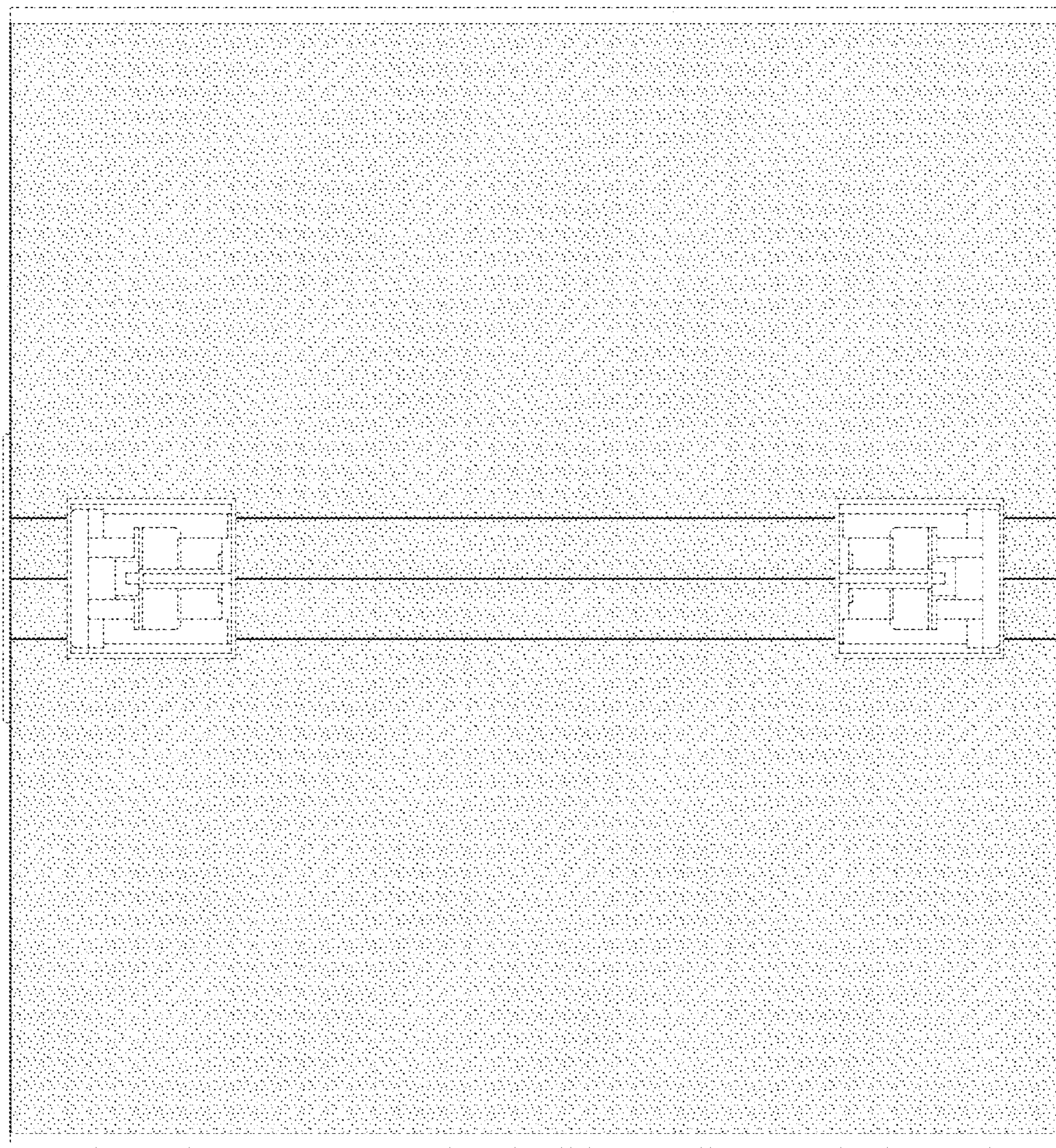


FIG. 24