



US00D879365S

(12) **United States Design Patent**
Stanley

(10) **Patent No.:** **US D879,365 S**

(45) **Date of Patent:** **** Mar. 24, 2020**

- (54) **HORTICULTURE GROW LIGHT**
- (71) Applicant: **HGCI, Inc.**, Las Vegas, NV (US)
- (72) Inventor: **John Stanley**, Vancouver, WA (US)
- (73) Assignee: **HGCI, Inc.**, Las Vegas, NV (US)
- (**) Term: **15 Years**

D775,405 S	*	12/2016	Stanley	D26/118
D783,888 S	*	4/2017	Reynolds	D26/118
D786,491 S	*	5/2017	Reynolds	D26/118
D796,727 S	*	9/2017	Reynolds	D26/118
D797,353 S	*	9/2017	Stanley	D26/118
D802,831 S	*	11/2017	Reynolds	D26/118
D804,709 S	*	12/2017	Reynolds	D26/118
D825,096 S	*	8/2018	Reynolds	D26/118
D826,468 S	*	8/2018	Stanley	D26/118

* cited by examiner

- (21) Appl. No.: **29/682,706**
- (22) Filed: **Mar. 7, 2019**

Related U.S. Application Data

- (63) Continuation of application No. 29/617,484, filed on Sep. 14, 2017, now Pat. No. Des. 843,049.

- (51) **LOC (12) Cl.** **26-99**
- (52) **U.S. Cl.**
USPC **D26/118**

- (58) **Field of Classification Search**
USPC ... D26/9, 10, 12, 13, 15, 16, 24, 51, 61, 72,
D26/76, 80, 81, 85, 86, 88, 90, 113, 118,
D26/119, 120, 122, 128, 129, 138, 143,
D26/144
CPC B60Q 1/04; B60Q 1/26; F21S 8/026; F21S
8/04; F21V 29/004; F21V 21/02; F21V
21/04; F21V 29/2212; F21V 7/22; F21V
29/83; F21V 37/002; F21V 7/00; F21L
19/00; F23D 11/443; F21Y 2101/02;
A61L 9/037

See application file for complete search history.

(56) **References Cited**

U.S. PATENT DOCUMENTS

D745,993 S	*	12/2015	Reynolds	D26/118
D770,671 S	*	11/2016	Reynolds	D26/118

Primary Examiner — Brian N. Vinson

(74) *Attorney, Agent, or Firm* — Ulmer & Berne LLP

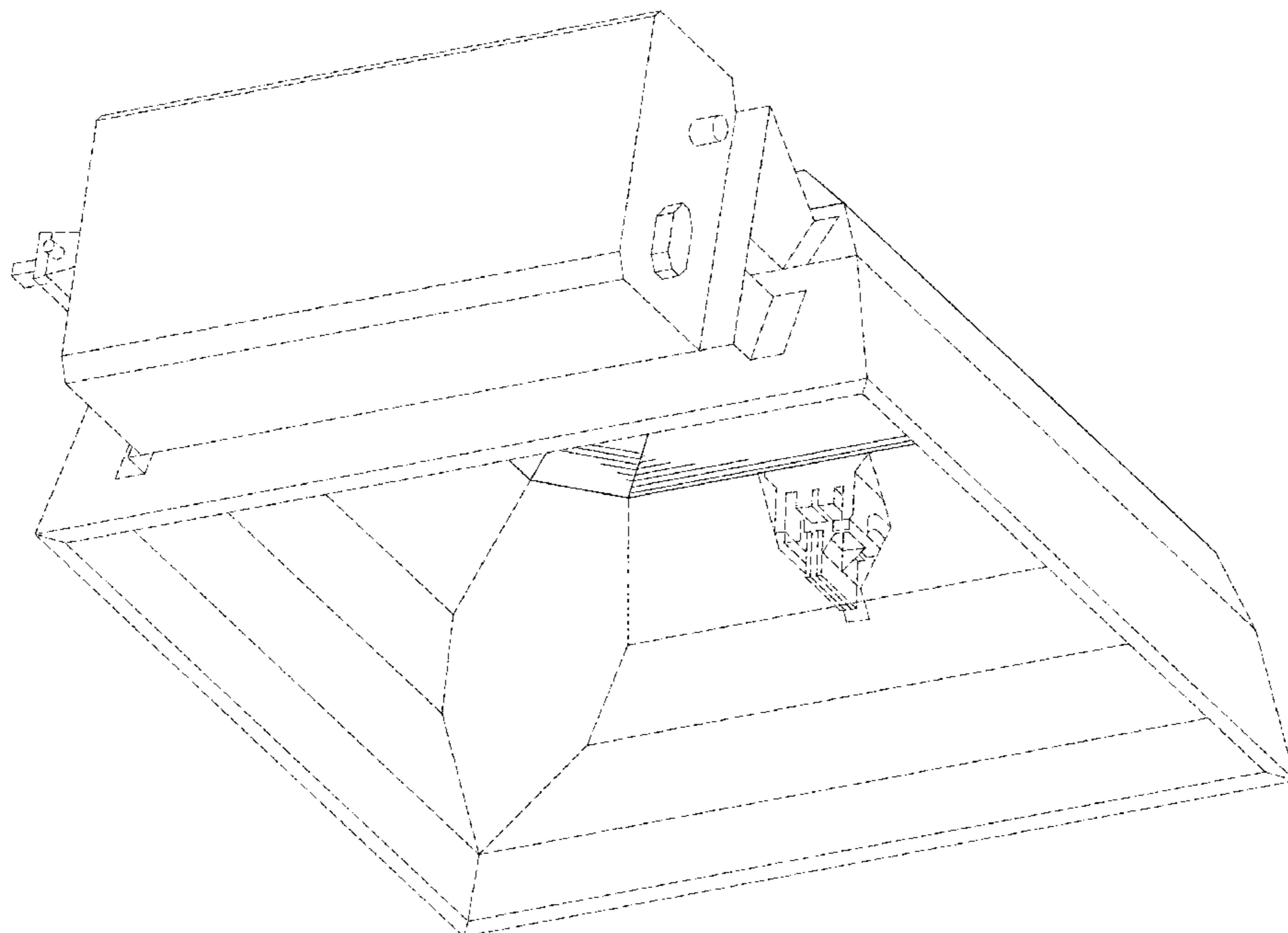
(57) **CLAIM**

The ornamental design for a horticulture grow light, as shown and described.

DESCRIPTION

FIG. 1 is a perspective view of a horticulture grow light, as viewed from below, showing my new design;
 FIG. 2 is a perspective view of the light shown in FIG. 1, as viewed from above;
 FIG. 3 is a left side view of the light shown in FIG. 1;
 FIG. 4 is a right side view of the light shown in FIG. 1;
 FIG. 5 is a front elevation view of the light shown in FIG. 1;
 FIG. 6 is a rear elevation view of the light shown in FIG. 1;
 FIG. 7 is a bottom plan view of the light shown in FIG. 1;
 and,
 FIG. 8 is a top plan view of the light shown in FIG. 1.
 The broken-line disclosure shown in the views is understood to represent portions of the article in which the claimed design is embodied, but which form no part of the claimed design.

1 Claim, 8 Drawing Sheets



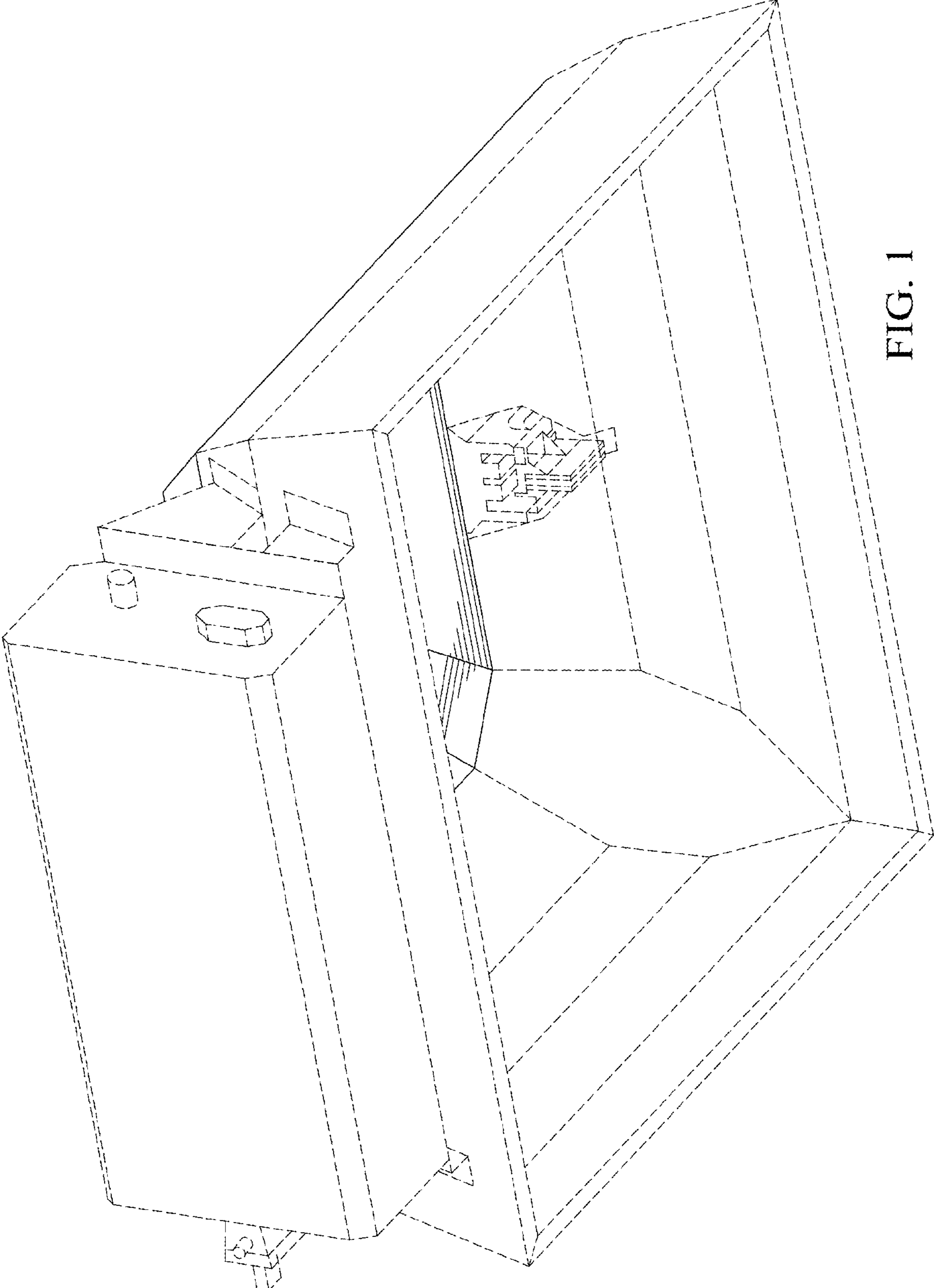


FIG. 1

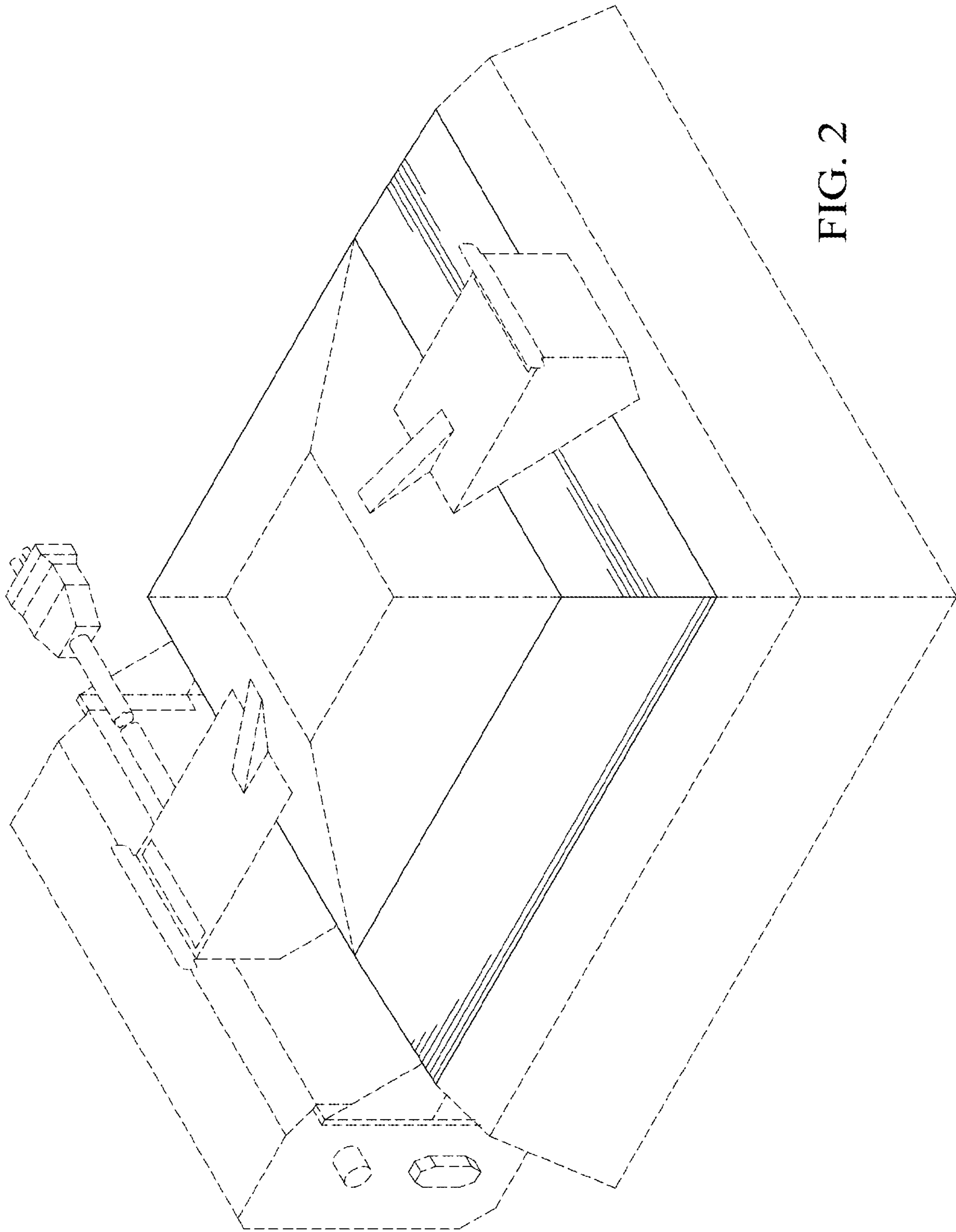


FIG. 2

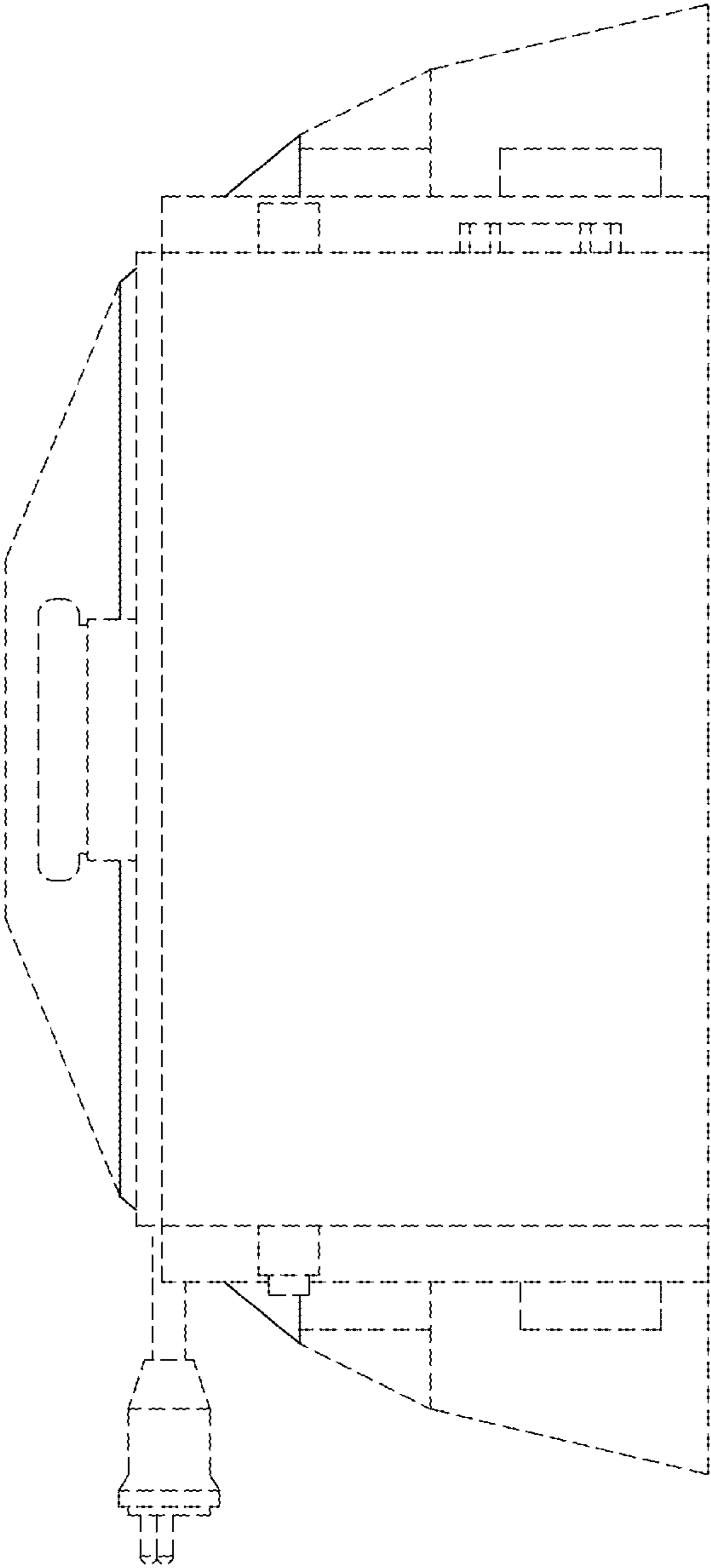


FIG. 3

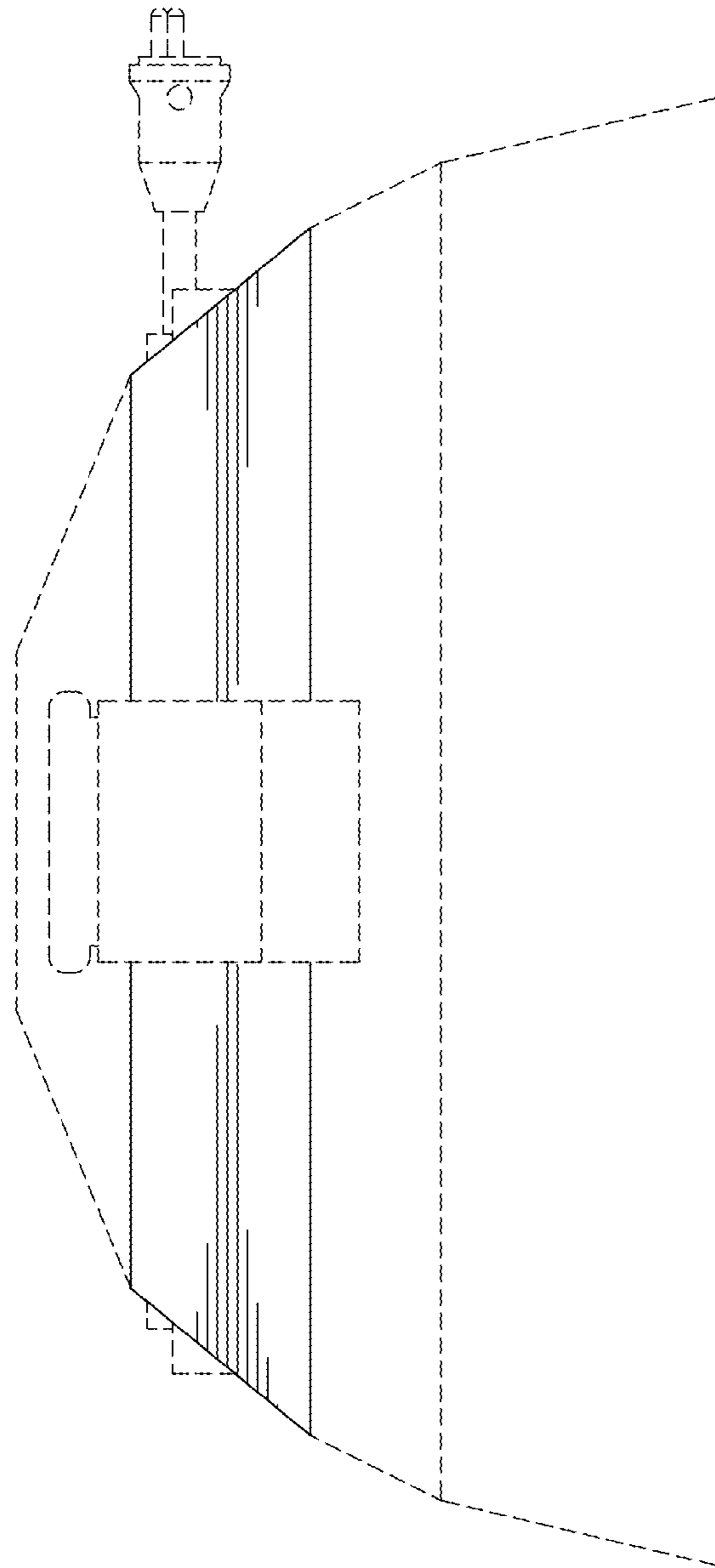


FIG. 4

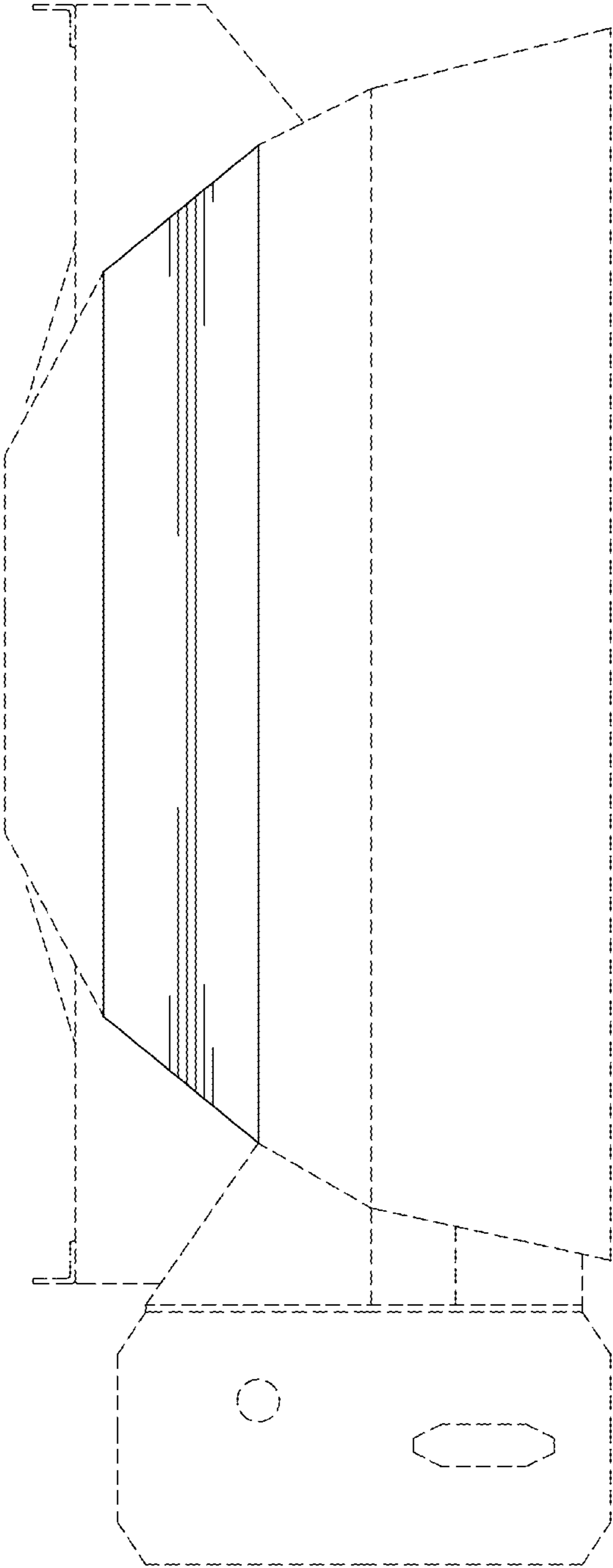


FIG. 5

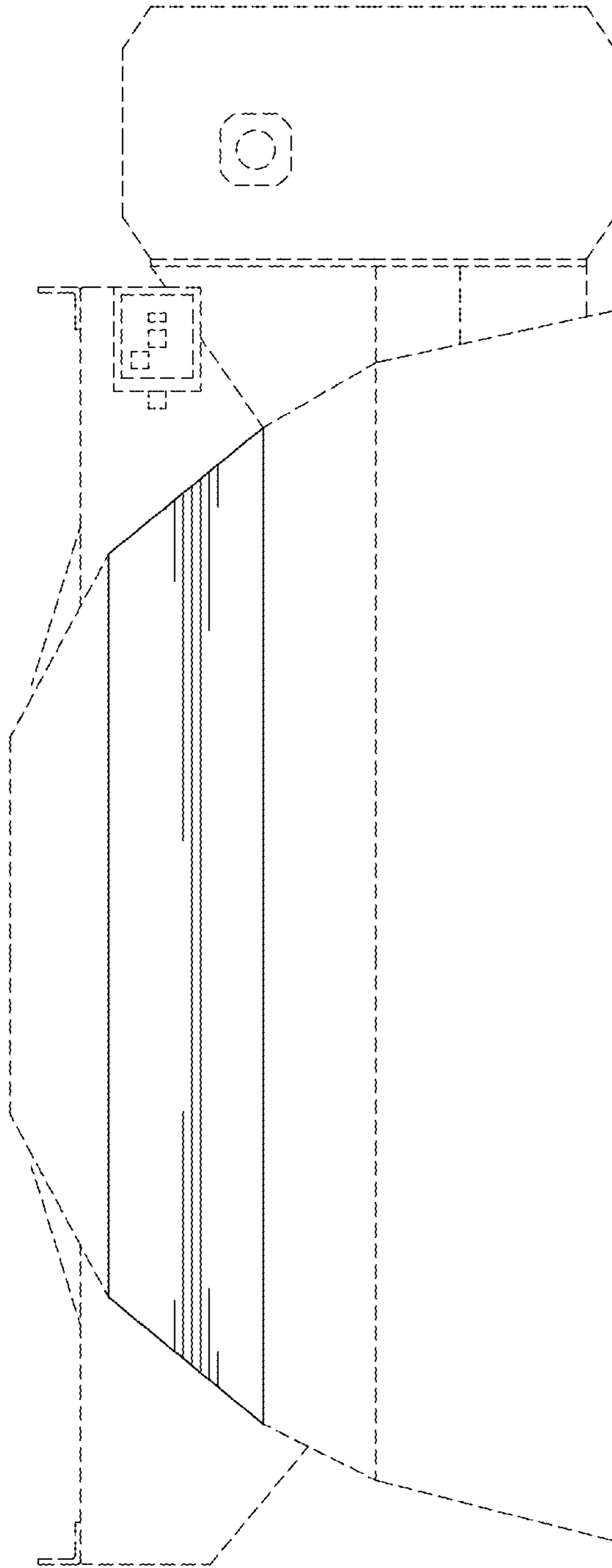


FIG. 6

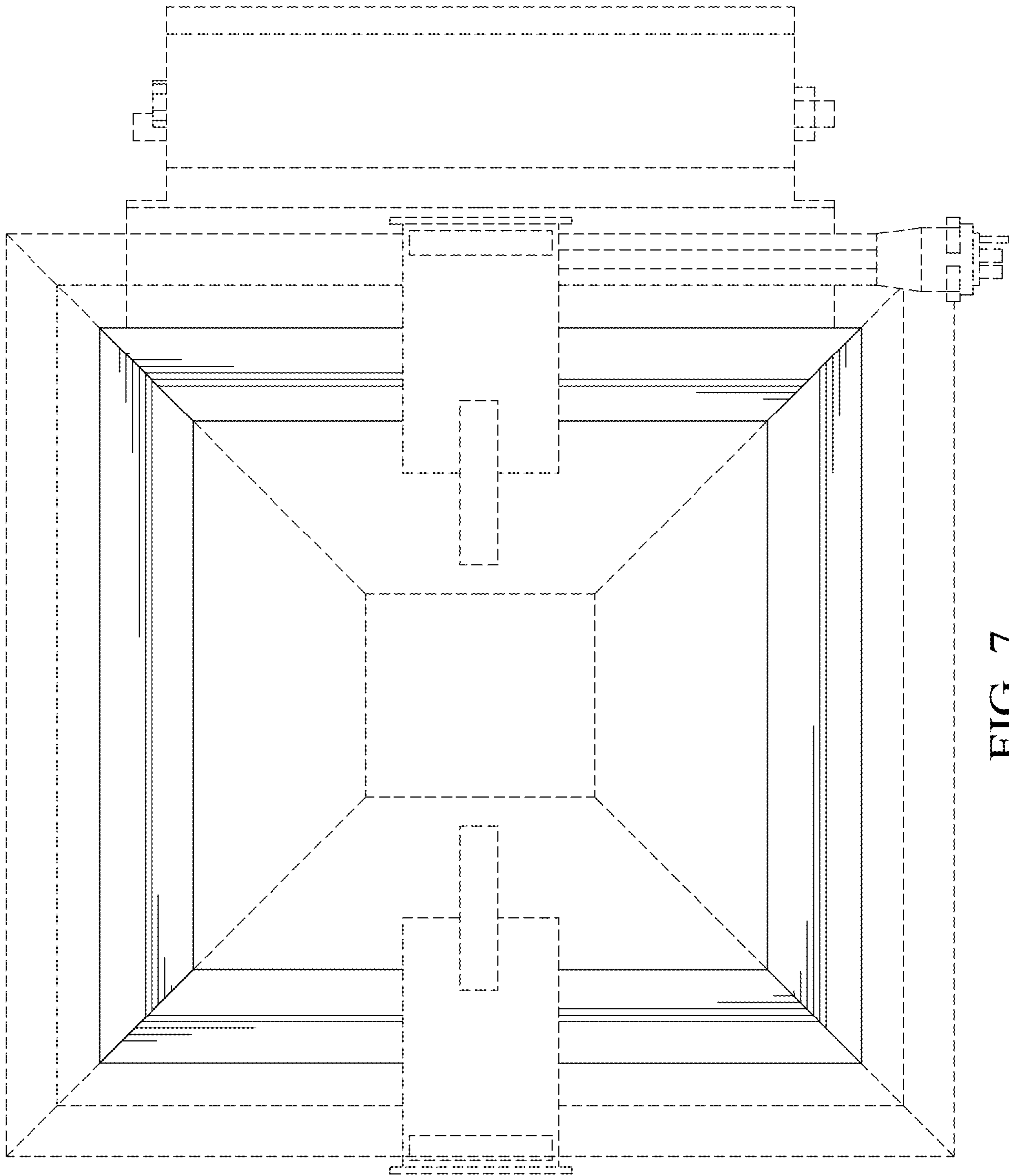


FIG. 7

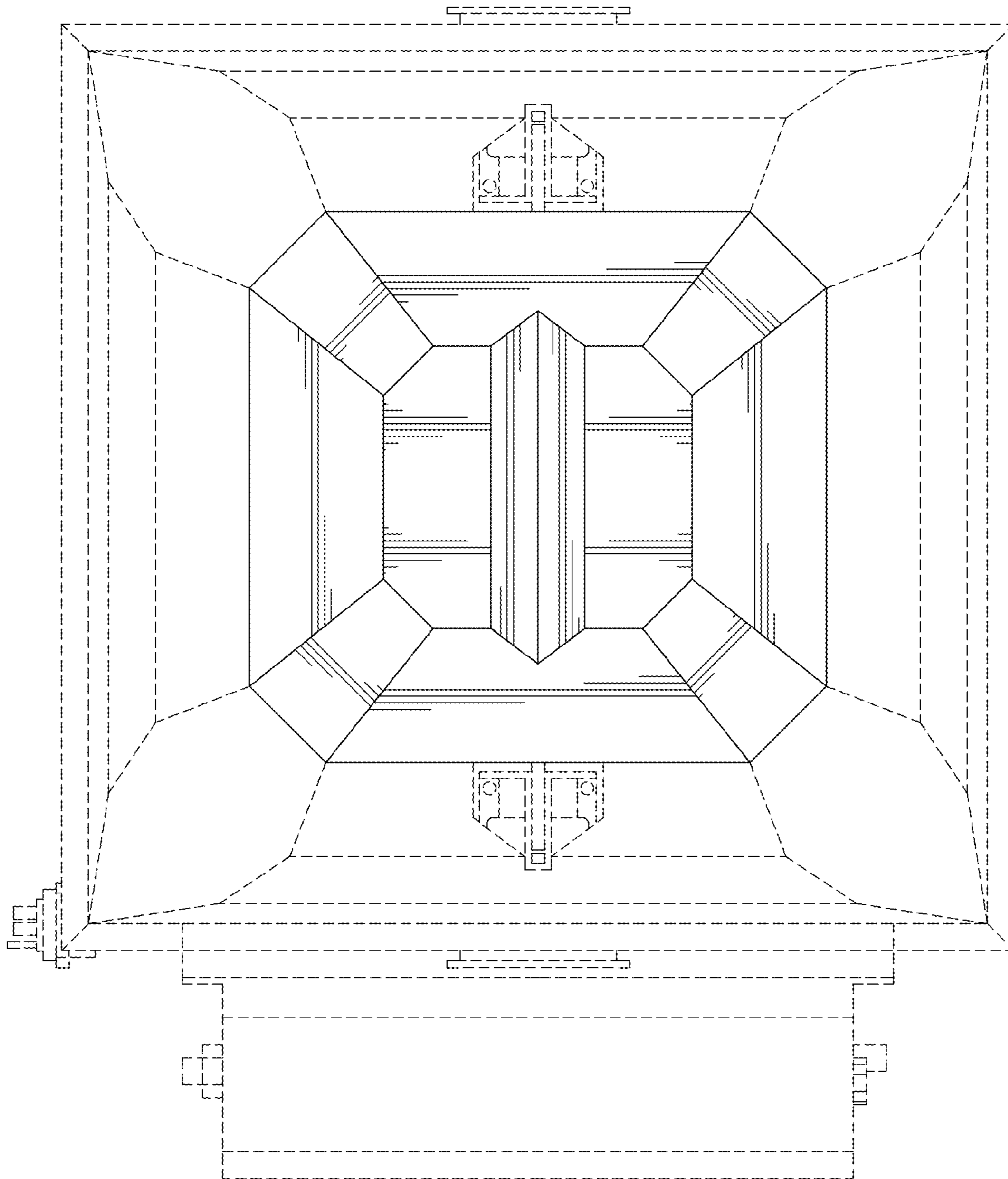


FIG. 8