



US00D879364S

(12) **United States Design Patent**  
**Stanley**

(10) **Patent No.:** **US D879,364 S**

(45) **Date of Patent:** **\*\* Mar. 24, 2020**

(54) **HORTICULTURE GROW LIGHT FIXTURE**

(71) Applicant: **HGCI, INC.**, Las Vegas, NV (US)

(72) Inventor: **John Stanley**, Vancouver, WA (US)

(73) Assignee: **HGCI, Inc.**, Las Vegas, NV (US)

(\*\*) Term: **15 Years**

(21) Appl. No.: **29/680,587**

(22) Filed: **Feb. 18, 2019**

**Related U.S. Application Data**

(63) Continuation of application No. 29/621,500, filed on Oct. 9, 2017, now Pat. No. Des. 843,640, which is a continuation of application No. 29/579,733, filed on Oct. 3, 2016, now Pat. No. Des. 802,828, which is a continuation of application No. 29/500,428, filed on Aug. 25, 2014, now Pat. No. Des. 771,301, which is a continuation of application No. 29/477,993, filed on Dec. 30, 2013, now Pat. No. Des. 737,498, which is a continuation of application No. 29/458,595, filed on Jun. 20, 2013, now Pat. No. Des. 698,987.

(51) **LOC (12) Cl.** ..... **26-99**

(52) **U.S. Cl.**  
USPC ..... **D26/118**

(58) **Field of Classification Search**  
USPC ..... D26/2, 28, 60, 72, 89, 104, 113, 118,  
D26/119, 120, 122, 124, 128, 138, 142,  
D26/143, 145  
CPC ..... A63H 30/04; F41C 33/0254; F41C 27/00;  
F21Y 2103/00; F21Y 2101/02; F21V  
29/006; F21V 27/00; F21V 21/14; F21V  
21/005; F21V 15/015; B29D 21/04; F21S  
8/04; F21S 2/005; F21S 2/00

See application file for complete search history.

(56) **References Cited**

**U.S. PATENT DOCUMENTS**

3,433,941 A \* 3/1969 Hall ..... F21V 7/09  
362/294  
5,568,680 A \* 10/1996 Parker ..... B21D 53/883  
29/557  
7,175,309 B2 \* 2/2007 Craw ..... F21V 29/02  
362/149  
7,534,011 B2 \* 5/2009 Townsley ..... A01G 9/26  
362/264  
8,371,726 B2 \* 2/2013 Collins ..... F21V 7/0025  
362/296.01

(Continued)

*Primary Examiner* — Brian N. Vinson

(74) *Attorney, Agent, or Firm* — Ulmer & Berne LLP

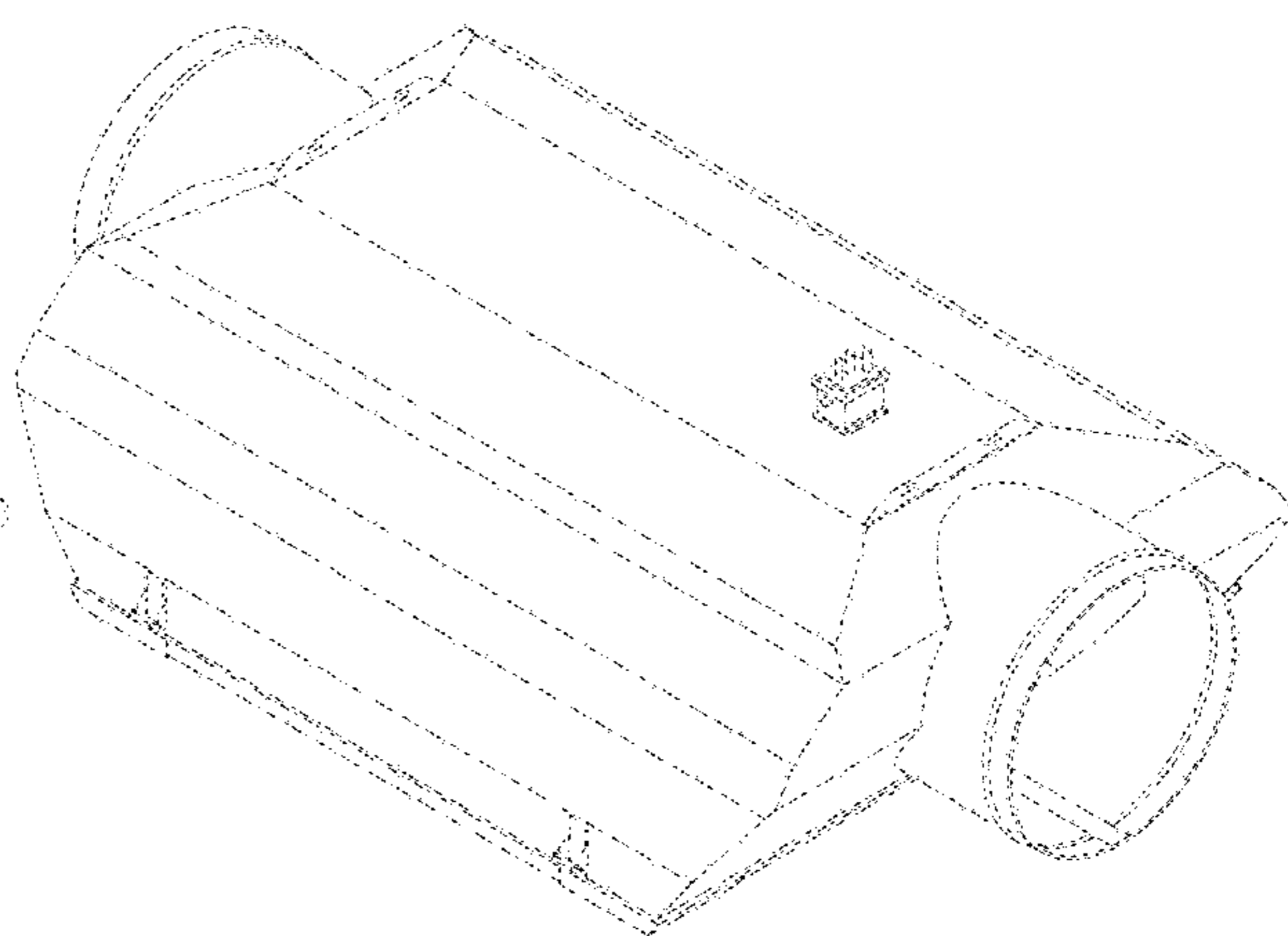
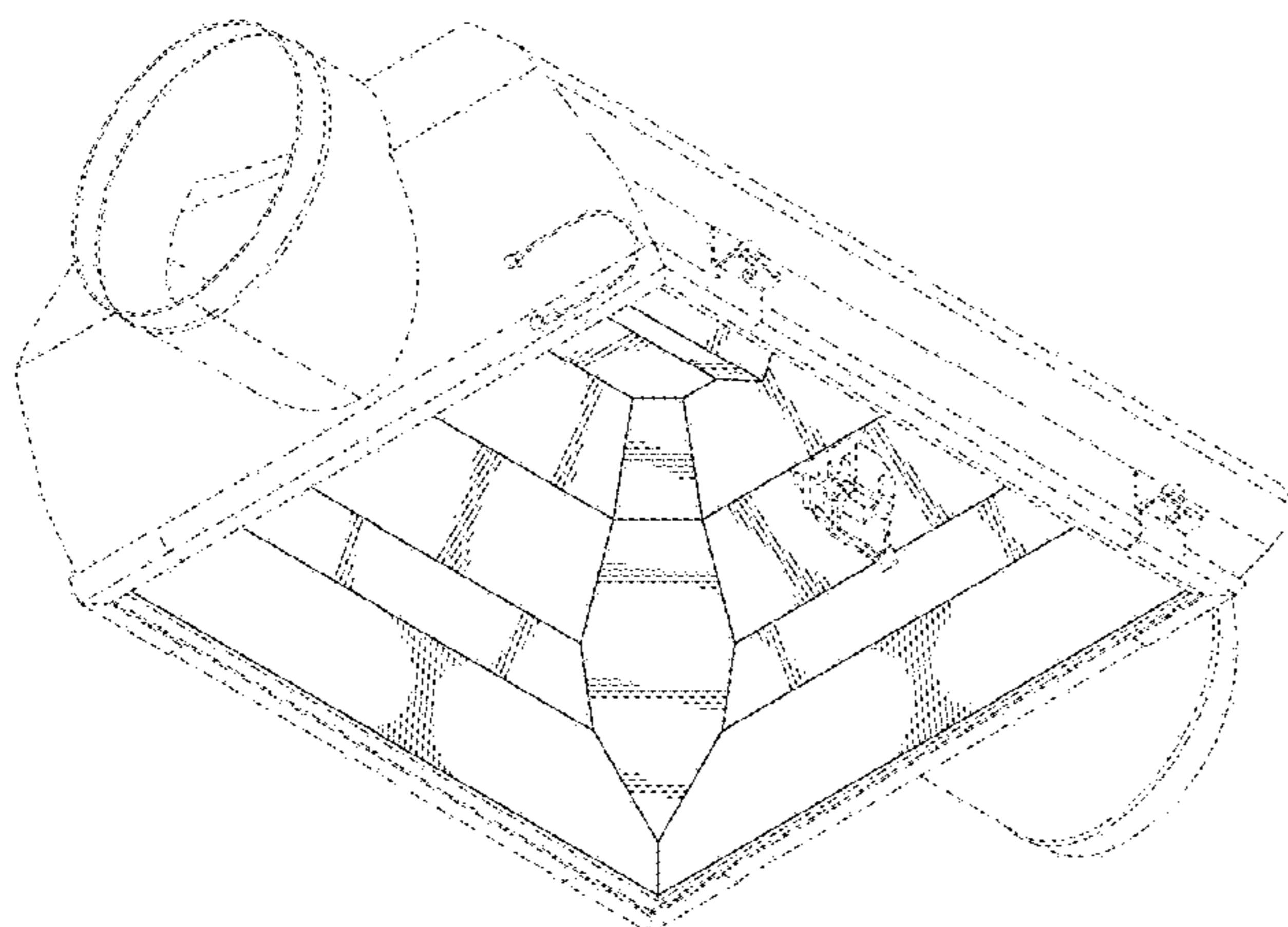
(57) **CLAIM**

The ornamental design for a horticulture grow light fixture, as shown and described.

**DESCRIPTION**

FIG. 1 is a perspective view of a horticulture grow light fixture, as viewed from below, showing my new design; FIG. 2 is a perspective view of the light fixture shown in FIG. 1, as viewed from above; FIG. 3 is a left side view of the light fixture shown in FIG. 1; FIG. 4 is a right side view of the light fixture shown in FIG. 1; FIG. 5 is a front elevation view of the light fixture shown in FIG. 1; FIG. 6 is a rear elevation view of the light fixture shown in FIG. 1; FIG. 7 is a top plan view of the light fixture shown in FIG. 1; and, FIG. 8 is a bottom plan view of the light fixture shown in FIG. 1.

(Continued)



The broken-line disclosure shown in the views is understood to represent portions of the article in which the claimed design is embodied, but which form no part of the claimed design.

**1 Claim, 6 Drawing Sheets**

(56)

**References Cited**

U.S. PATENT DOCUMENTS

D748,850 S *	2/2016	Johnson .....	D26/118
D765,306 S *	8/2016	Wardenburg .....	D26/118
9,451,743 B2 *	9/2016	Koerner .....	F21V 23/02
D769,514 S *	10/2016	Reynolds .....	D26/118
D771,301 S *	11/2016	Stanley .....	D26/118
D775,406 S *	12/2016	Hargreaves .....	D26/118
D780,985 S *	3/2017	Stanley .....	D26/118
D783,888 S *	4/2017	Reynolds .....	D26/118

\* cited by examiner

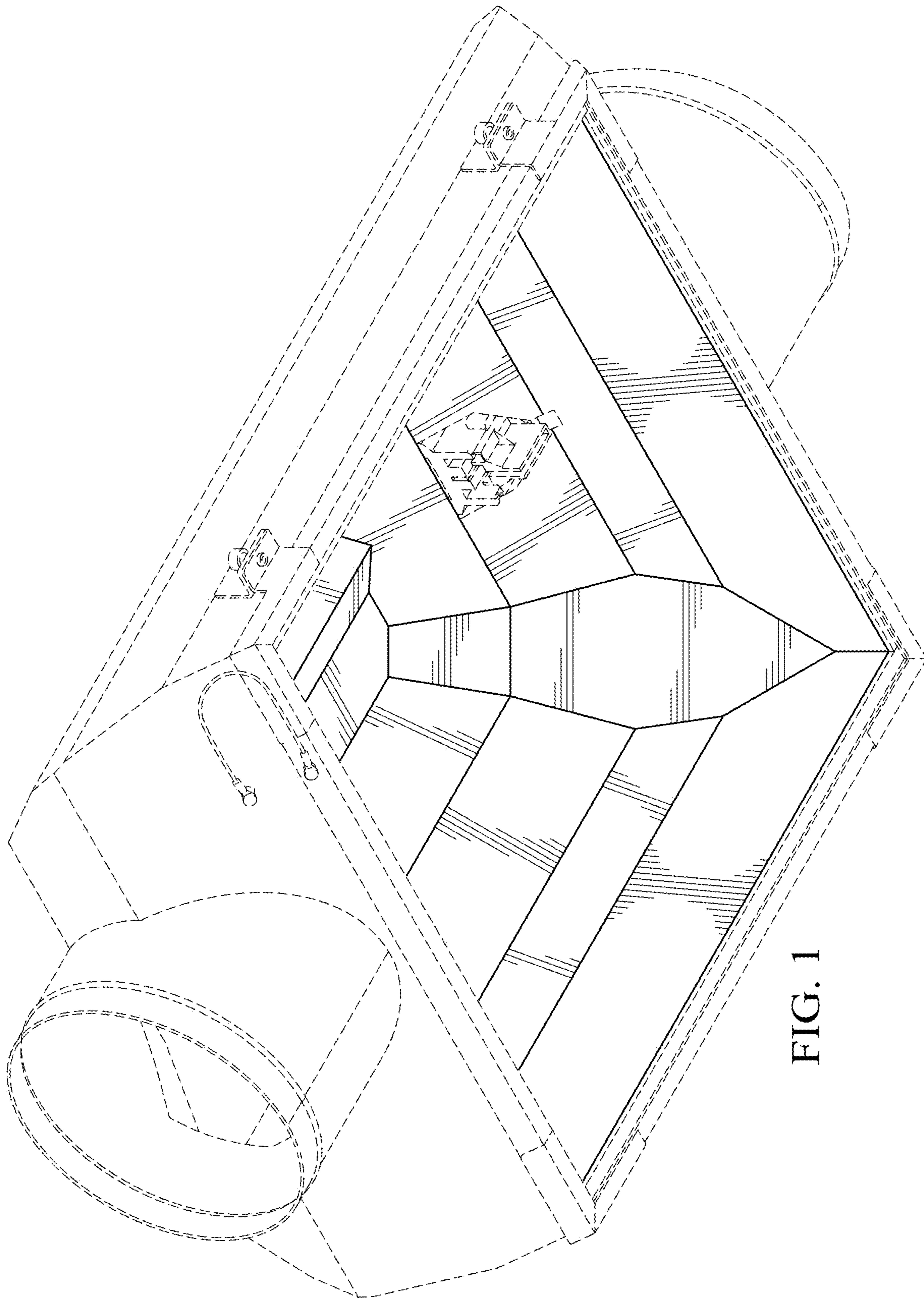


FIG. 1

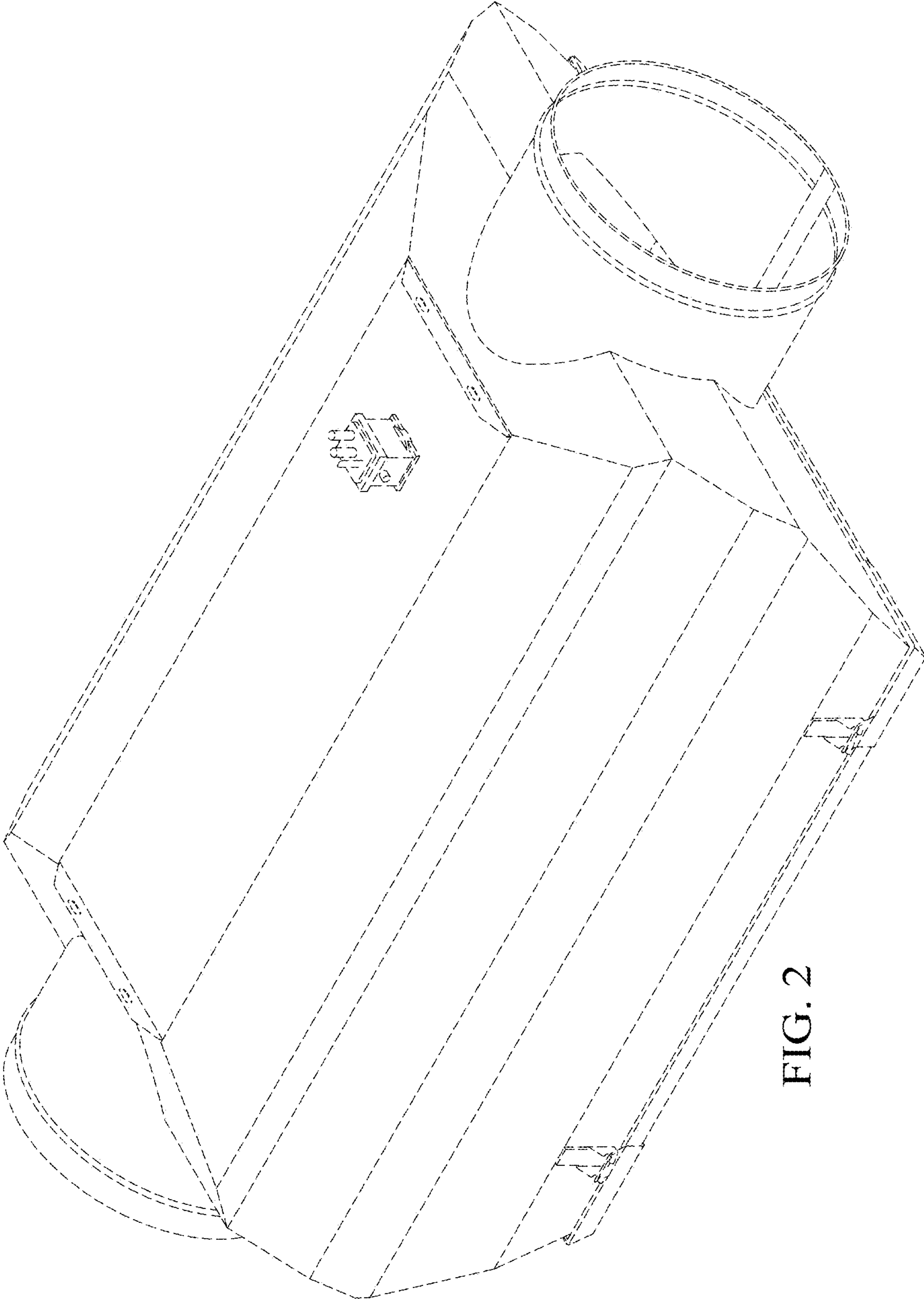


FIG. 2

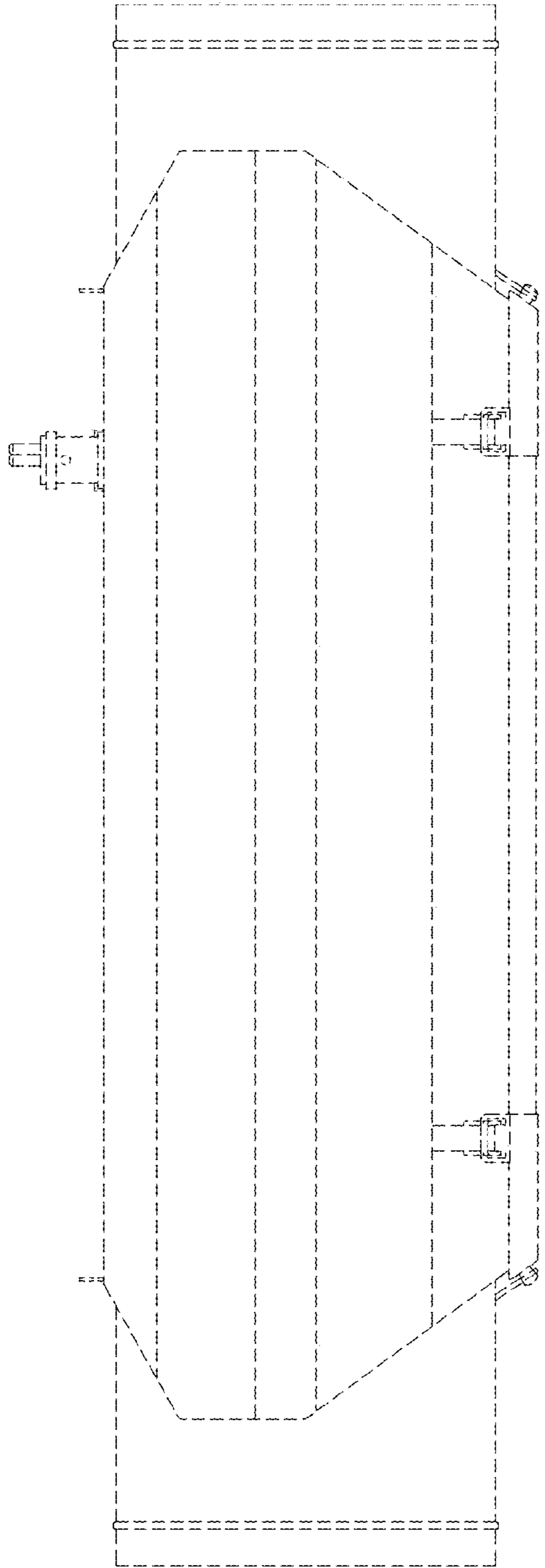


FIG. 3



FIG. 4

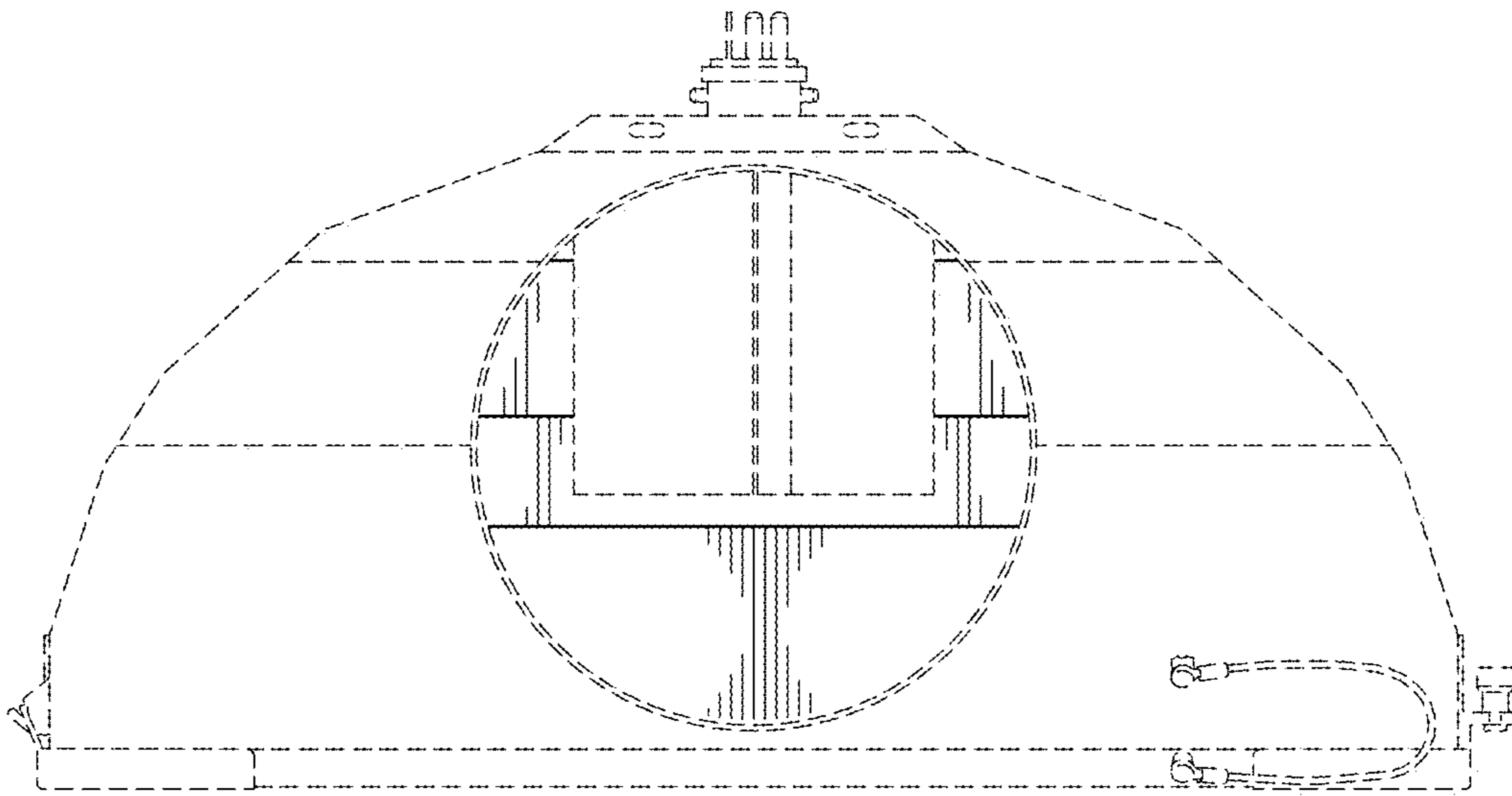


FIG. 5

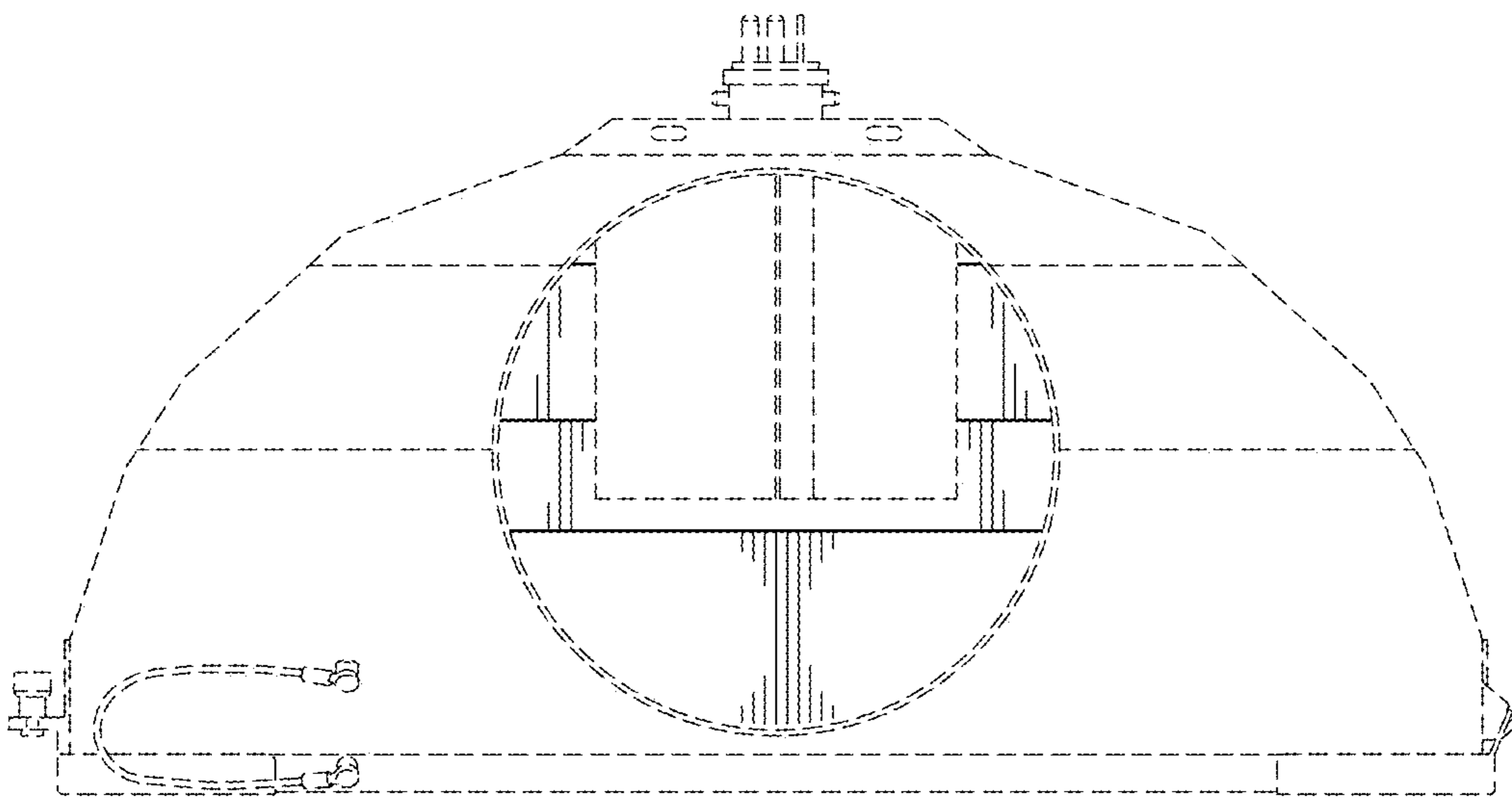


FIG. 6

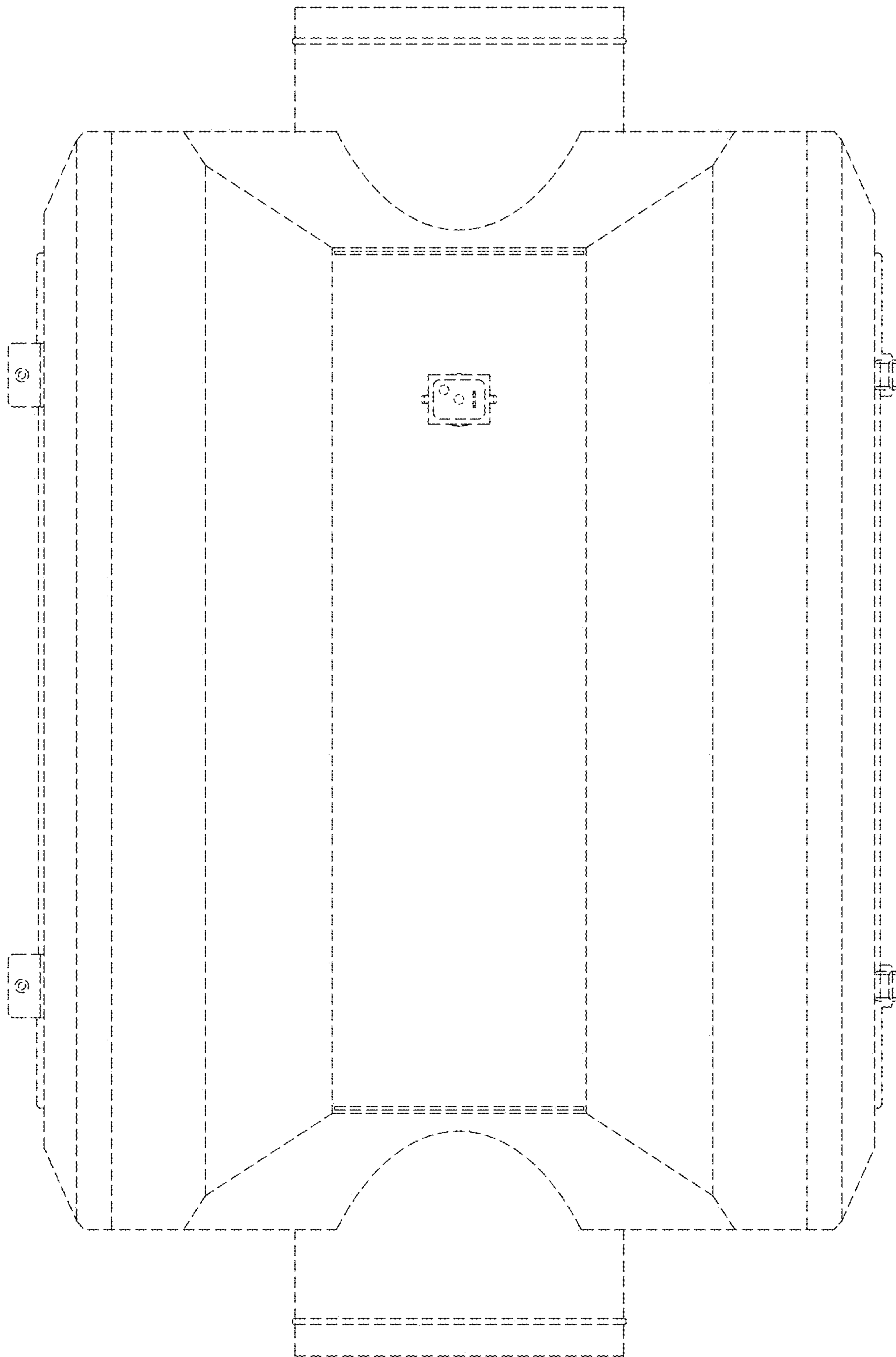


FIG. 7

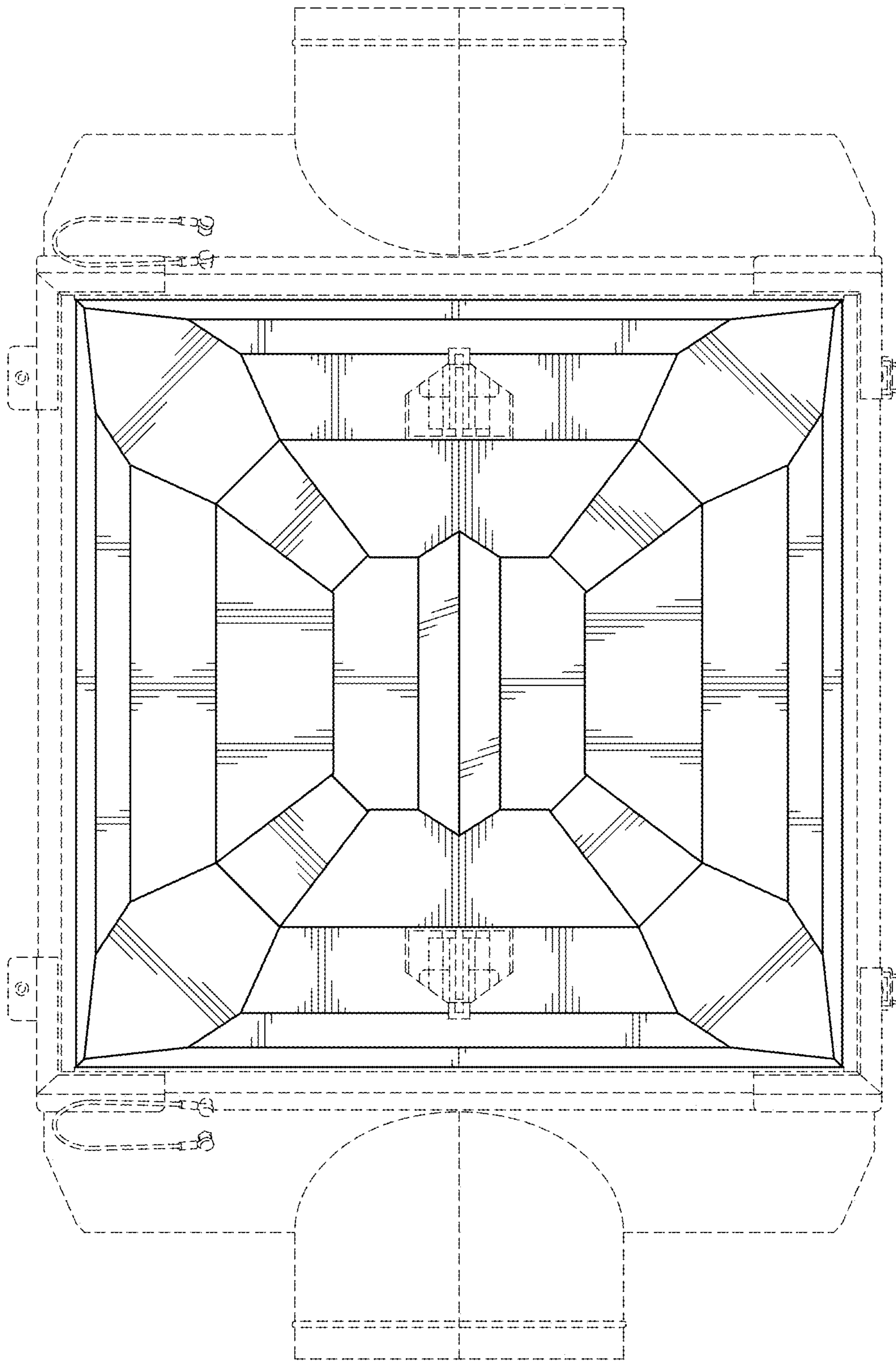


FIG. 8