



US00D879358S

(12) **United States Design Patent** (10) **Patent No.:** **US D879,358 S**
Du (45) **Date of Patent:** **** Mar. 24, 2020**

(54) **LAMP**
(71) Applicant: **SHENZHEN VALED LIGHTING CO., LTD**, Shenzhen (CN)
(72) Inventor: **YanXi Du**, Shenzhen (CN)
(**) Term: **15 Years**
(21) Appl. No.: **29/711,606**
(22) Filed: **Nov. 1, 2019**

(30) **Foreign Application Priority Data**
Jun. 20, 2019 (EM) 006586269
(51) **LOC (12) Cl.** **26-03**
(52) **U.S. Cl.**
USPC **D26/106**
(58) **Field of Classification Search**
USPC D26/24, 72, 89, 93, 106, 110–113, 118, D26/65
CPC G03B 17/02–17/04; G03B 17/14; G03B 17/56; G03B 17/561–568; G03B 21/20–2066; G03B 15/041–0436; G02B 7/02–04; G02B 7/14; H04N 5/2251–2554; F16M 11/02; F16M 11/20; F16M 11/40
See application file for complete search history.

(56) **References Cited**
U.S. PATENT DOCUMENTS
D364,241 S * 11/1995 Jaynes D26/106
D681,258 S * 4/2013 Chiang D26/106

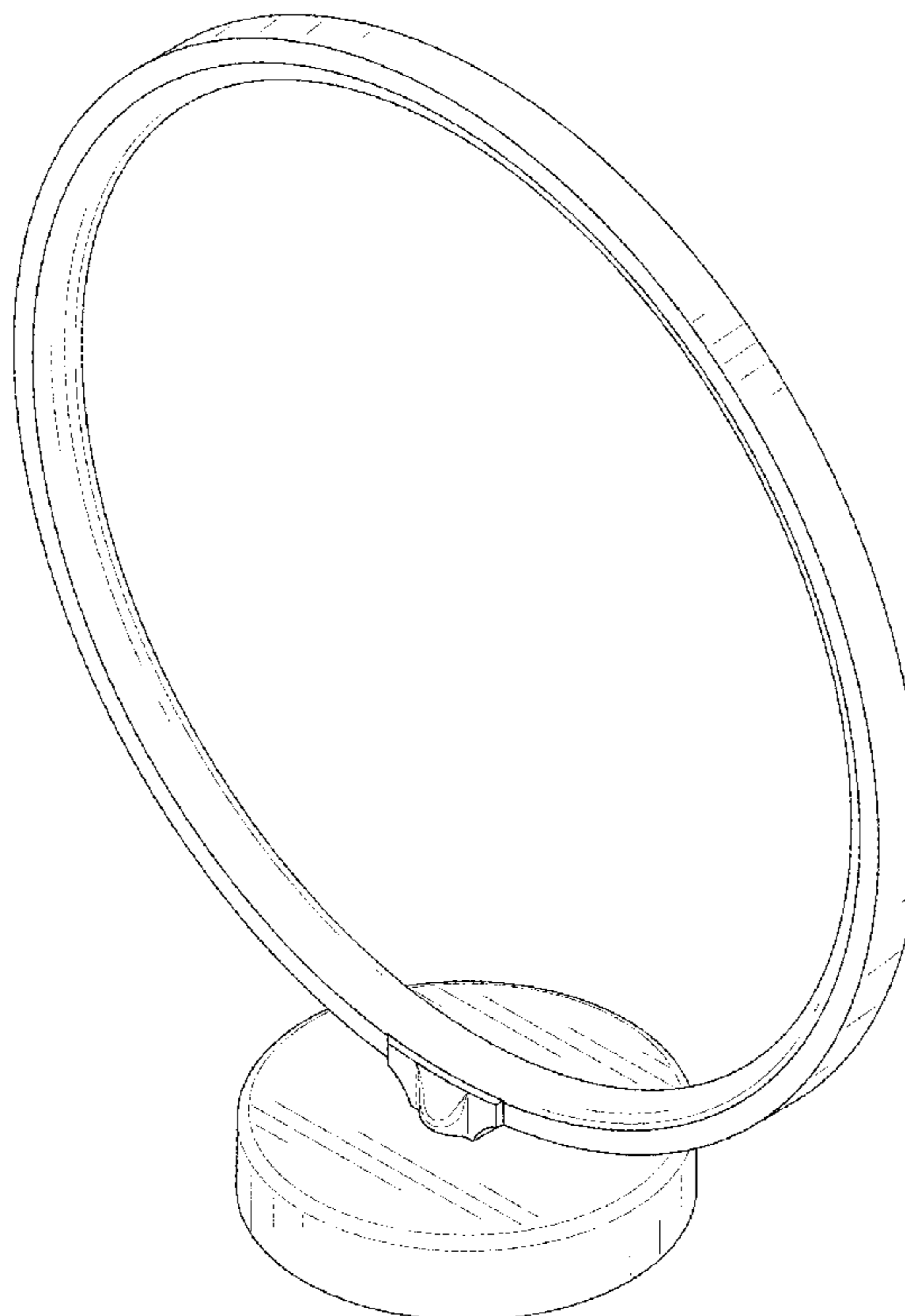
D690,457 S * 9/2013 Lu D26/118
D694,928 S 12/2013 Chen
D709,235 S * 7/2014 Chu D26/65
D773,105 S * 11/2016 Feit D26/106
D827,180 S * 8/2018 Mou D26/106
D854,227 S * 7/2019 Yu D26/106
D855,242 S * 7/2019 Chen D26/106
D873,328 S * 1/2020 Shen D26/106

* cited by examiner
Primary Examiner — Brian N. Vinson
(74) *Attorney, Agent, or Firm* — Jie Yang; ZanIP

(57) **CLAIM**
The ornamental design for a lamp, as shown and described.

DESCRIPTION
FIG. 1 is a front and top perspective view of a lamp, showing my new design;
FIG. 2 is a rear and bottom perspective view thereof;
FIG. 3 is a front elevational view thereof;
FIG. 4 is a rear elevational view thereof;
FIG. 5 is a left side elevational view thereof;
FIG. 6 is a right side elevational view thereof;
FIG. 7 is a top plan view thereof;
FIG. 8 is a bottom plan view thereof;
FIG. 9 is an exploded view thereof;
FIG. 10 is an enlarged view of a portion indicated in FIG. 2; and,
FIG. 11 is an enlarged view of a portion indicated in FIG. 8.
The broken lines in the figures illustrate portions of the lamp that form no part of the claimed design.

1 Claim, 11 Drawing Sheets



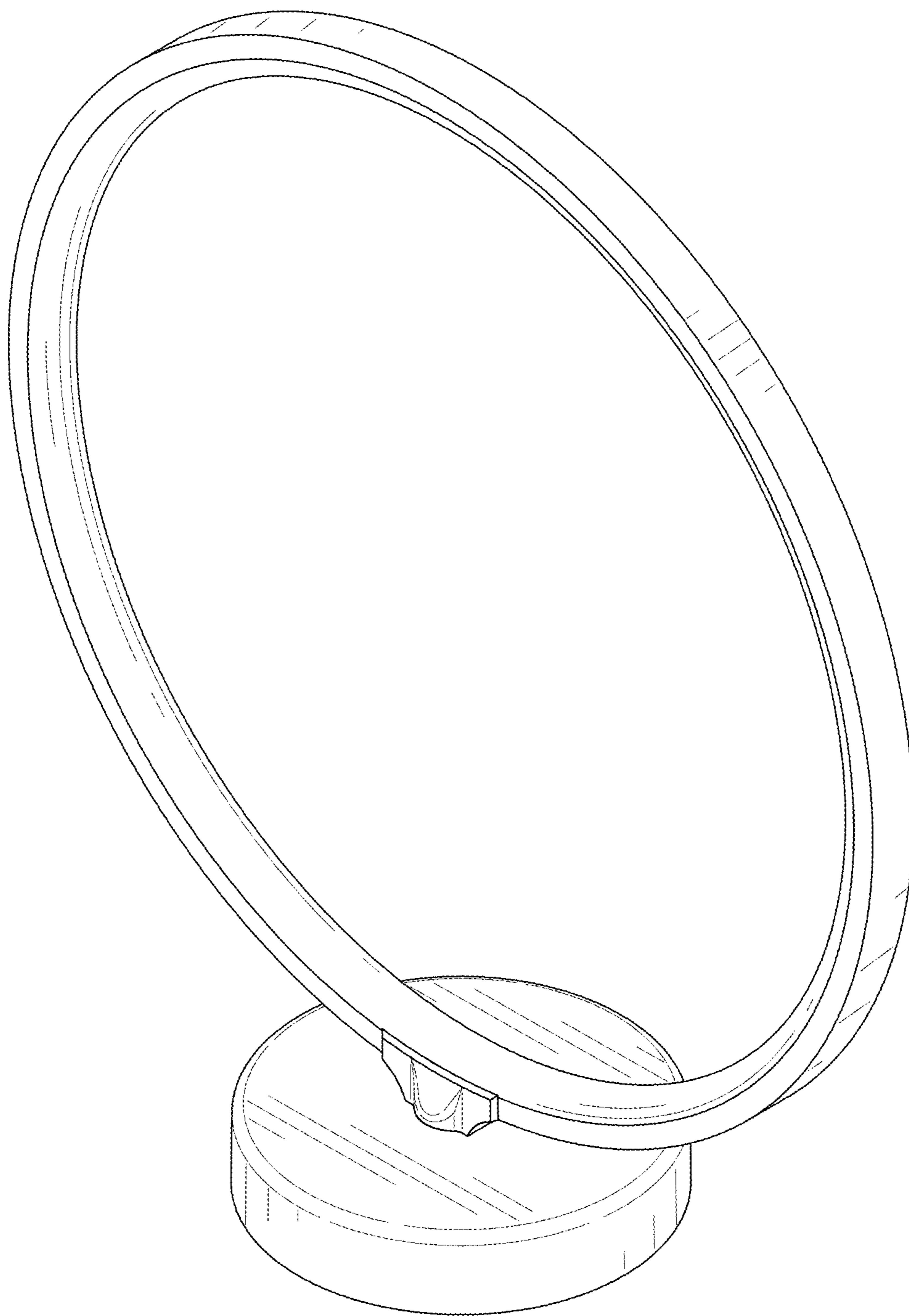


FIG. 1

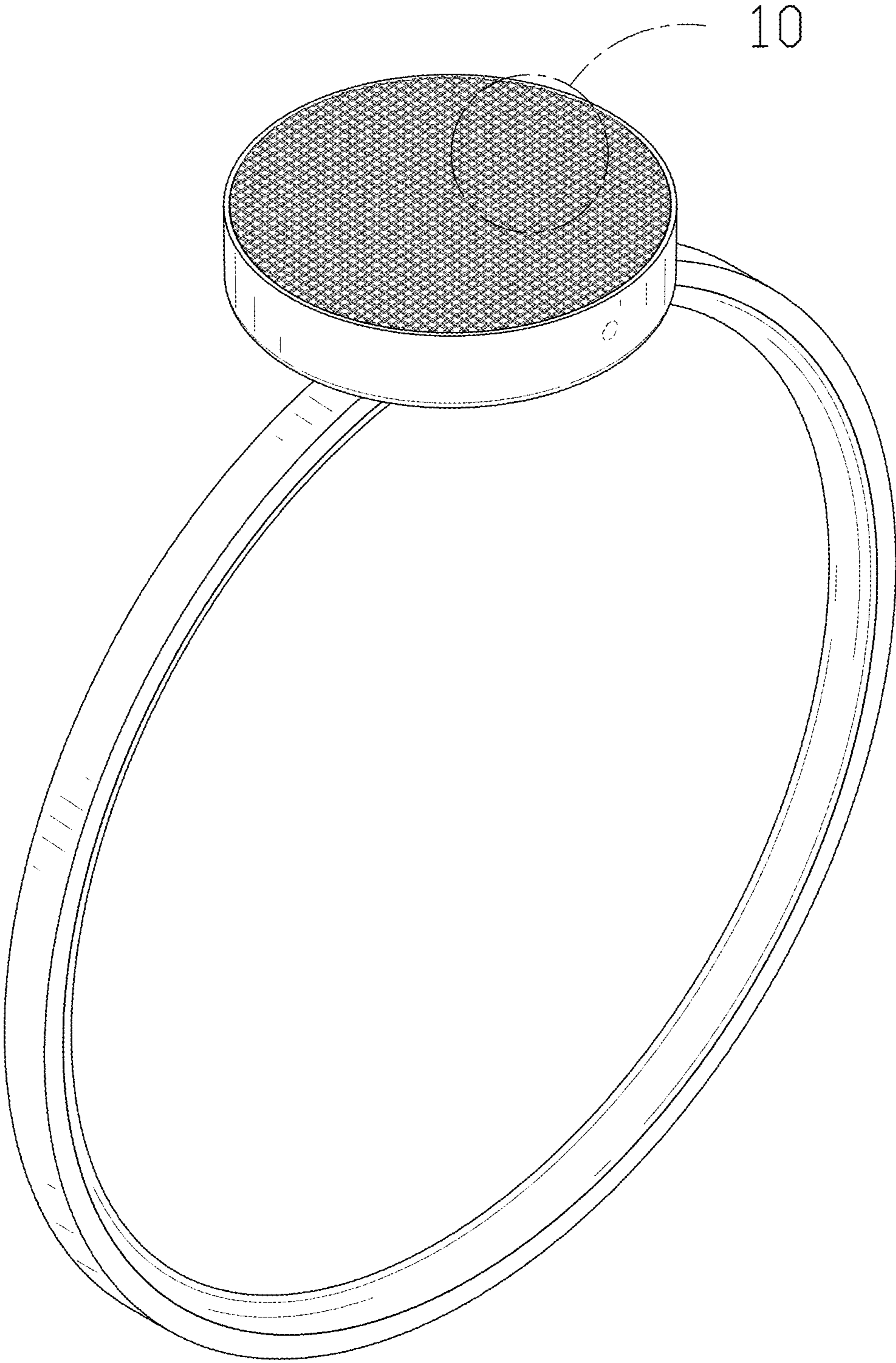


FIG. 2

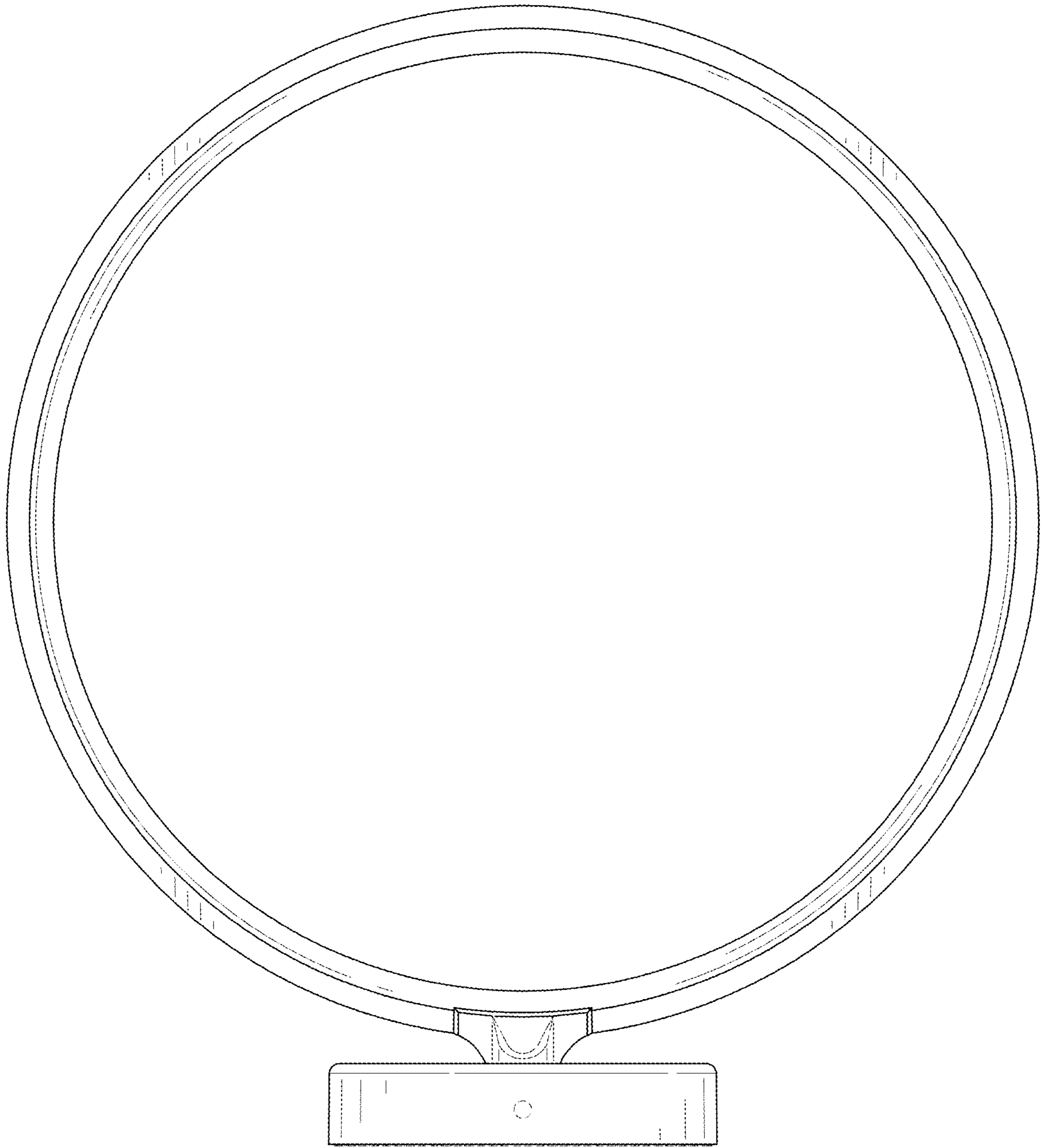


FIG. 3

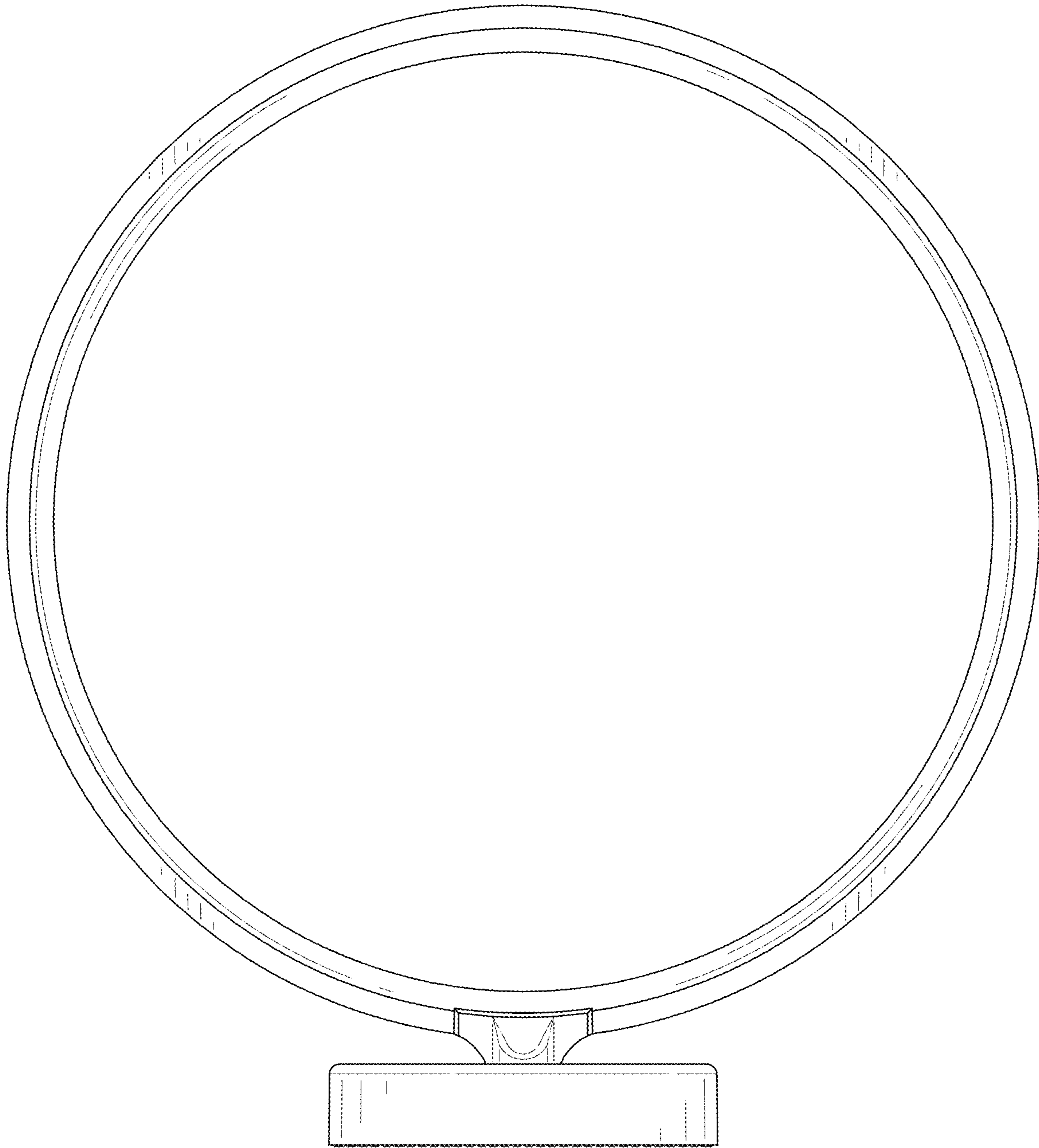


FIG. 4

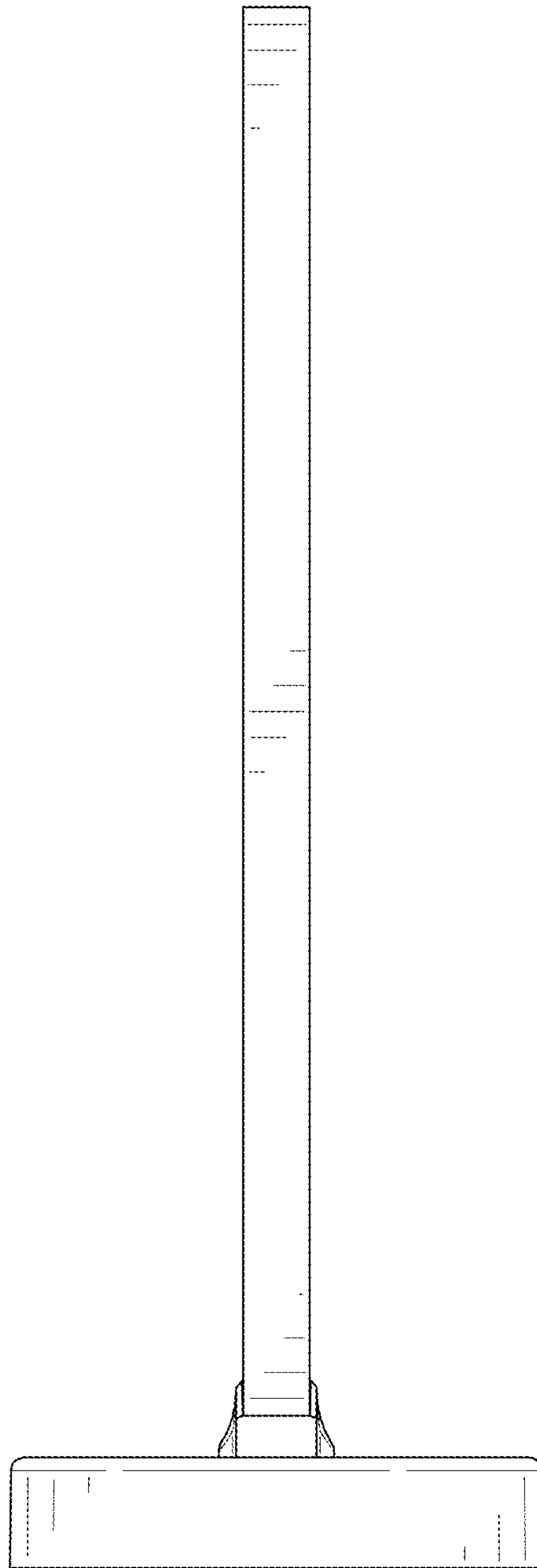


FIG. 5

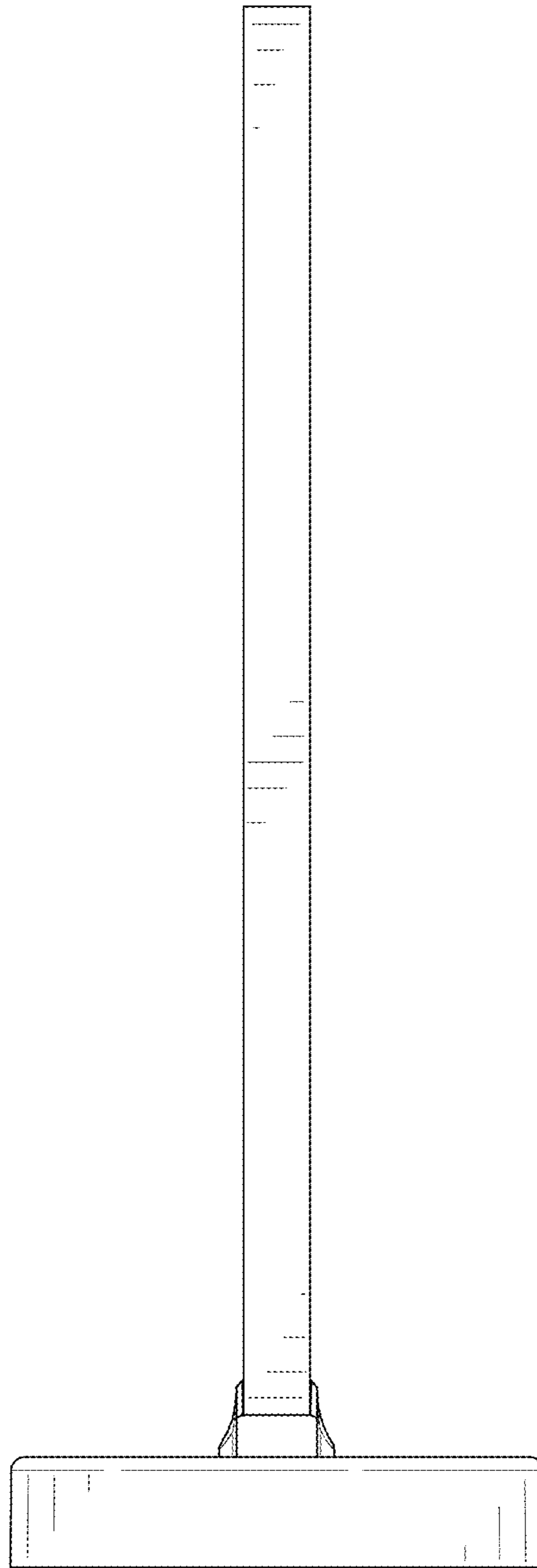


FIG. 6

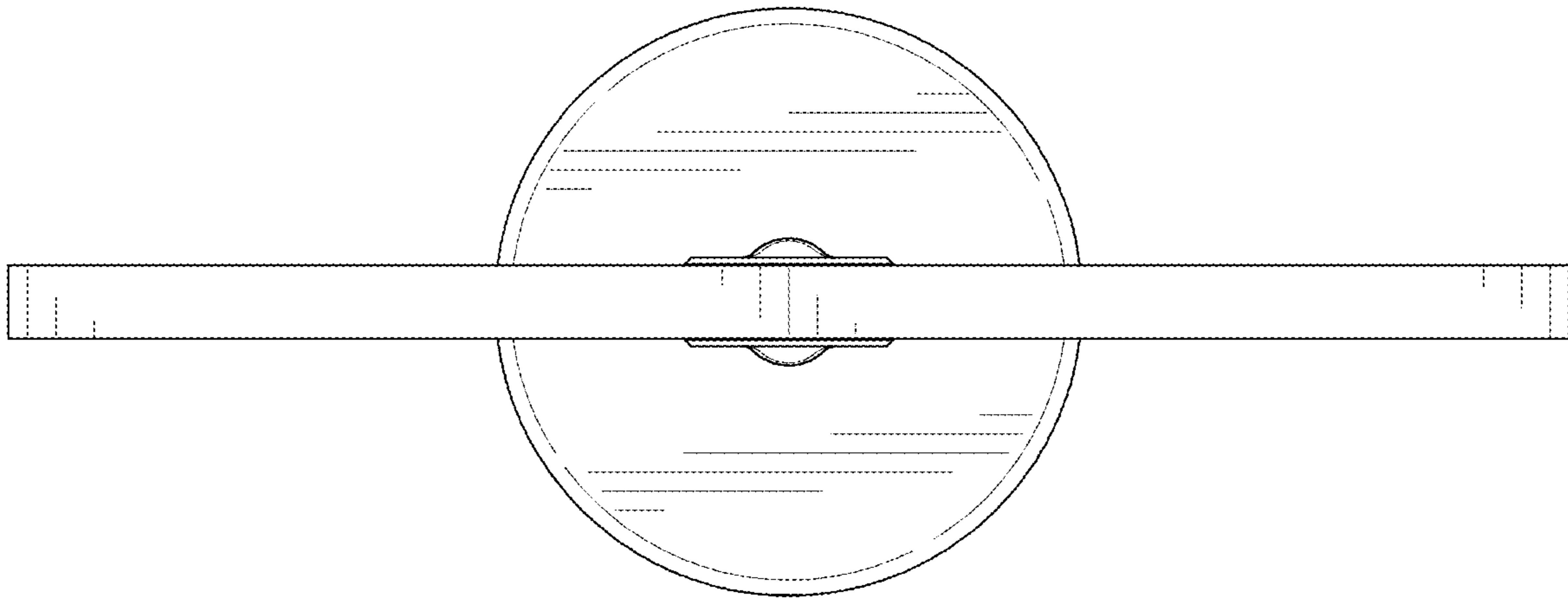


FIG. 7

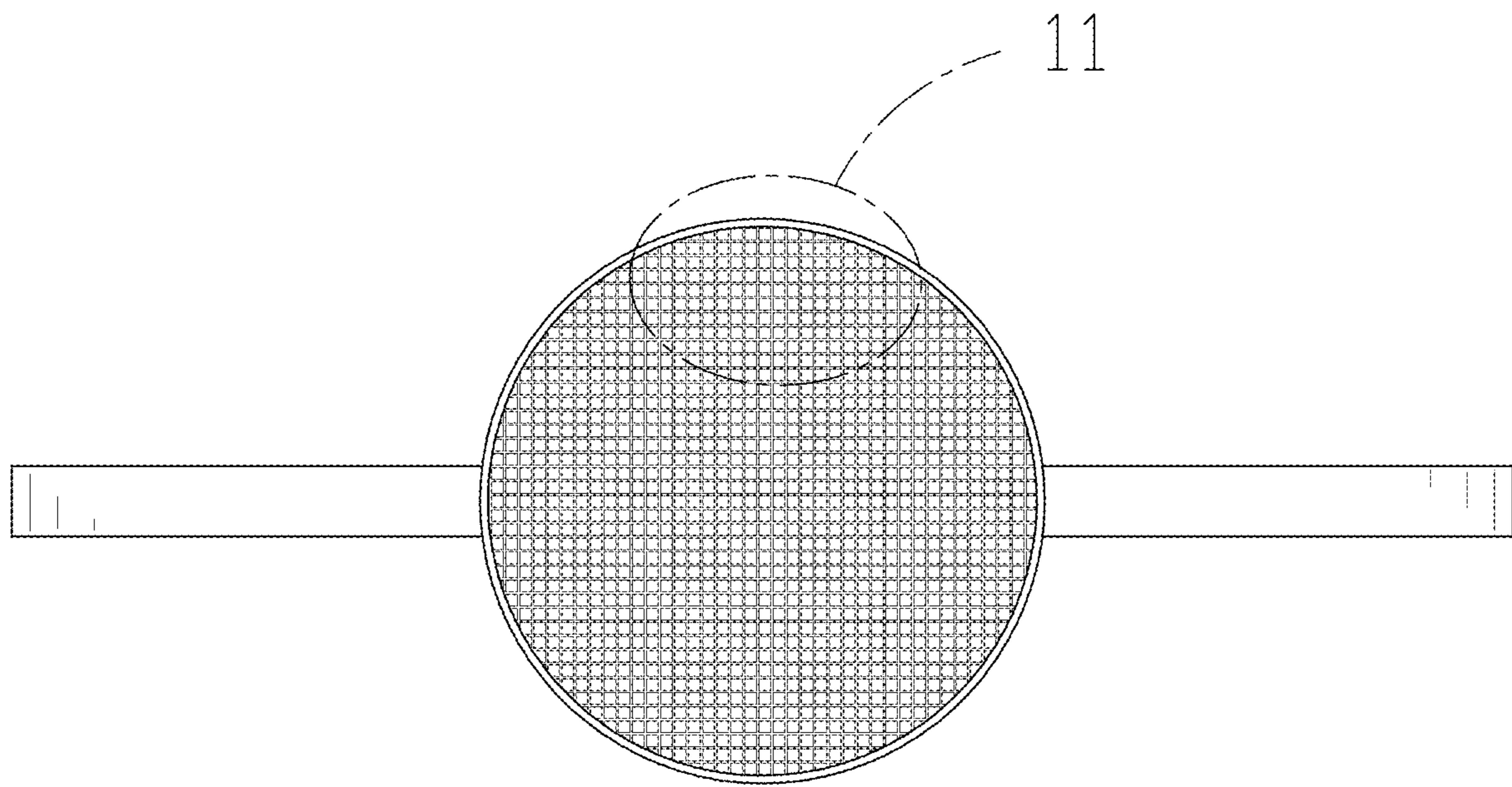


FIG. 8

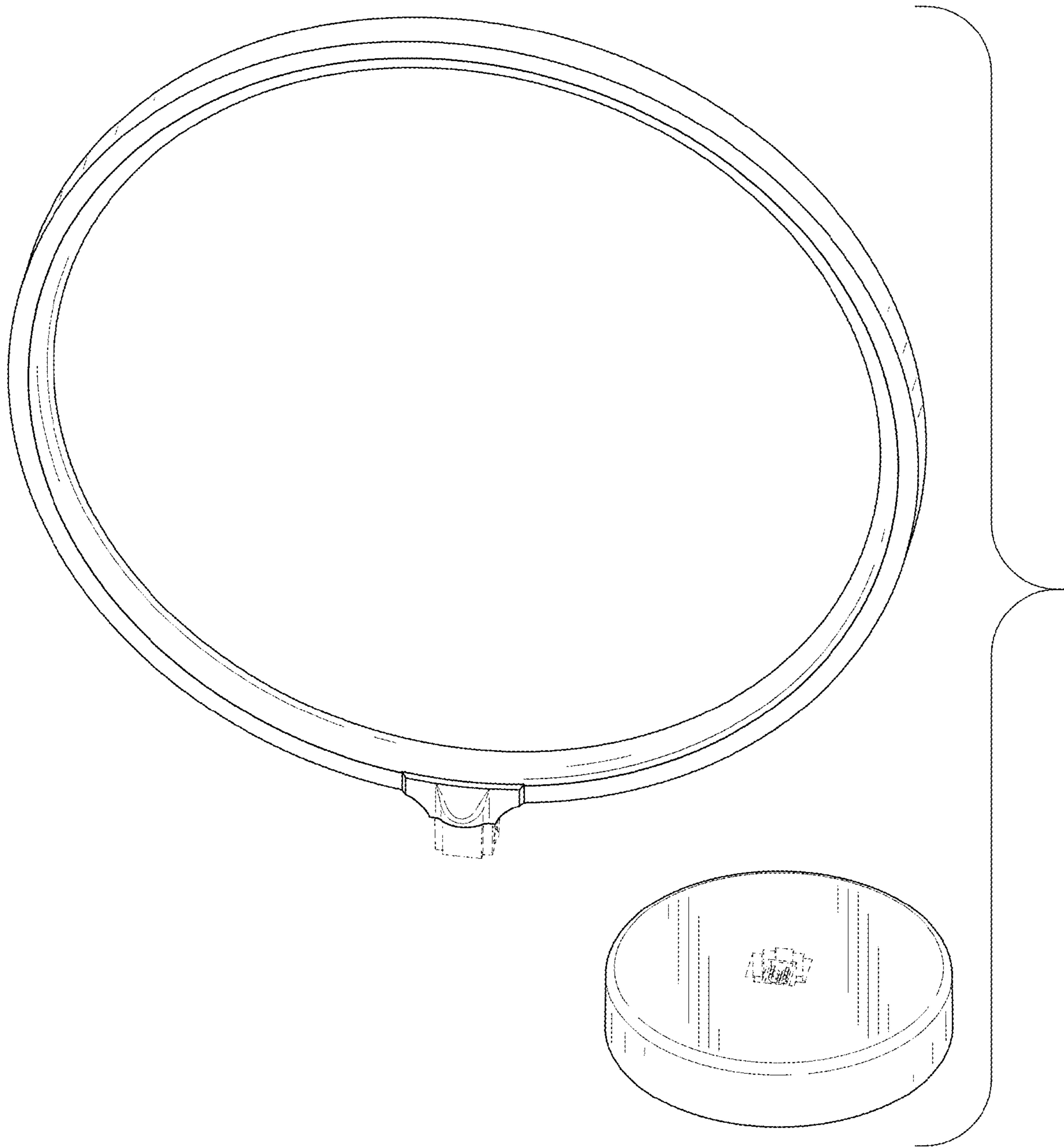


FIG. 9

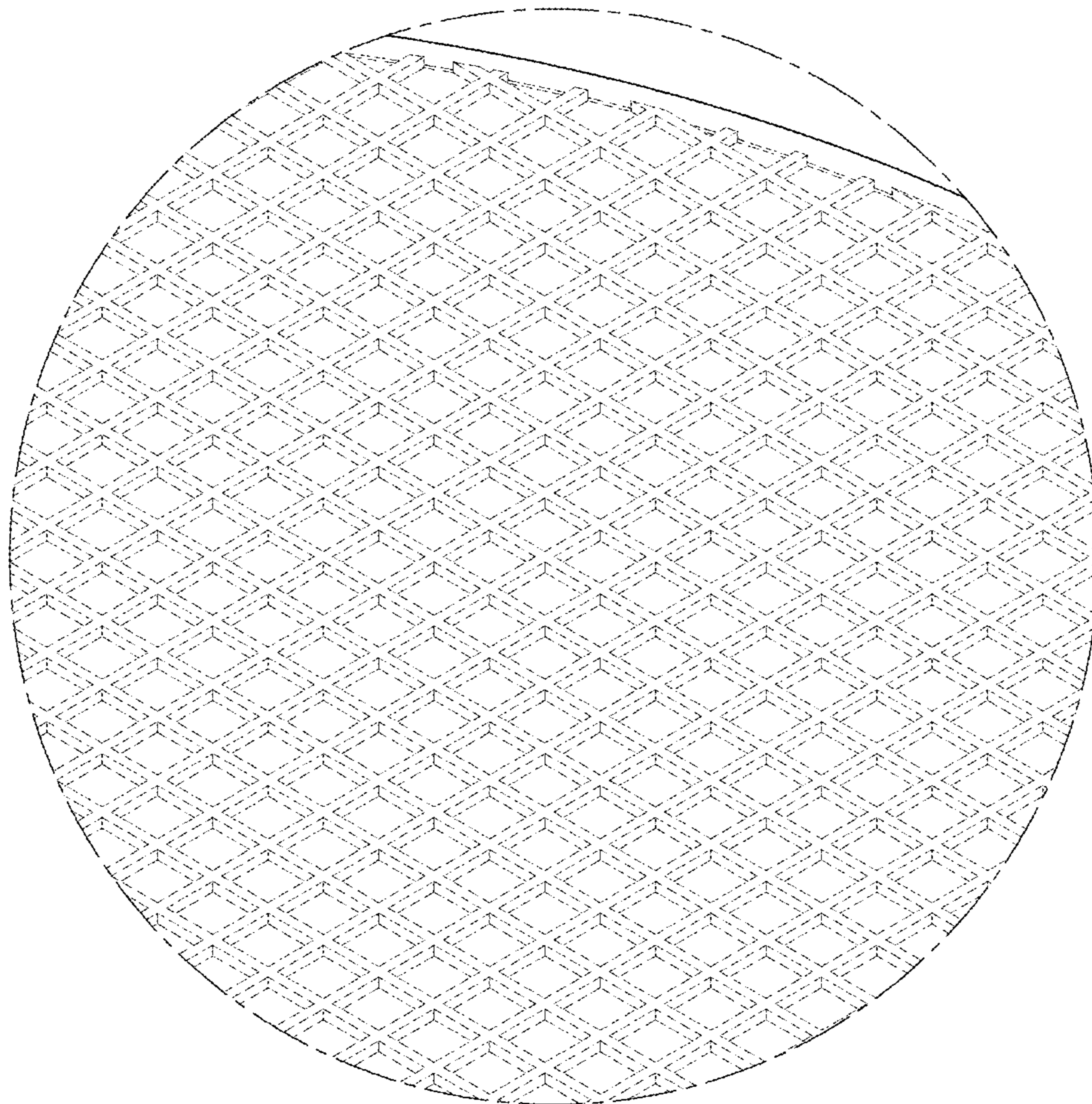


FIG. 10

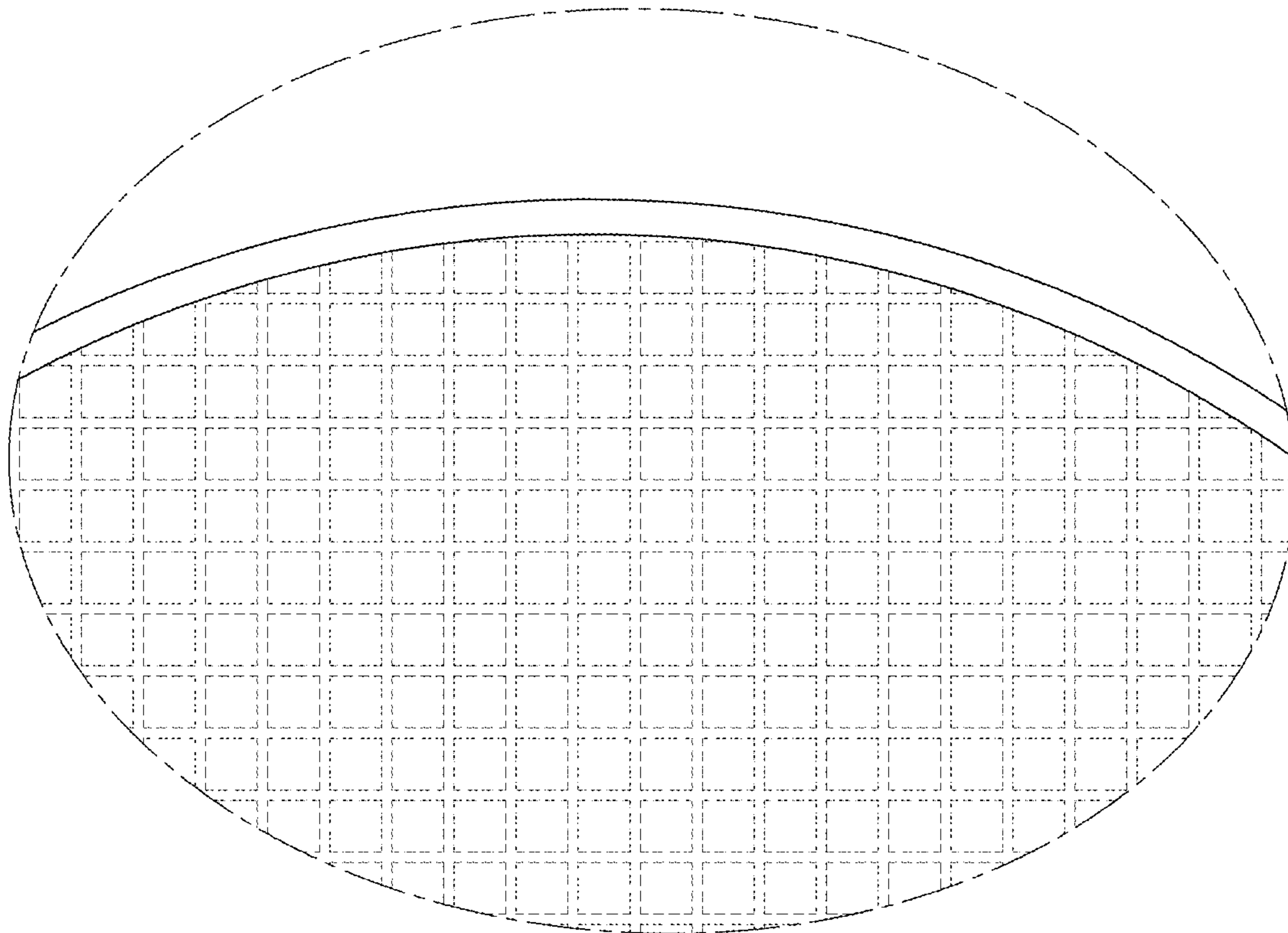


FIG. 11