

US00D879356S

(12) **United States Design Patent**
Zhong

(10) **Patent No.:** **US D879,356 S**

(45) **Date of Patent:** **** Mar. 24, 2020**

(54) **CORK-SHAPED SOLAR LIGHT**

(71) Applicant: **Nan Zhong**, Jiangxi (CN)

(72) Inventor: **Nan Zhong**, Jiangxi (CN)

(**) Term: **15 Years**

(21) Appl. No.: **29/710,073**

(22) Filed: **Oct. 21, 2019**

(51) **LOC (12) Cl.** **26-03**

(52) **U.S. Cl.**
USPC **D26/94**

(58) **Field of Classification Search**
USPC D26/94, 1, 24, 51, 113, 118; D13/102
CPC H01M 2/022; F21Y 2115/10; F21L 4/00;
F21L 4/08

See application file for complete search history.

(56) **References Cited**

U.S. PATENT DOCUMENTS

D574,537 S 8/2008 Sanoner
D692,605 S * 10/2013 Madonia D26/51
D770,065 S * 10/2016 Tittle D26/24

D843,635 S * 3/2019 Van Egmond D26/96
D852,131 S * 6/2019 Tang D13/102
D868,325 S * 11/2019 Zhong D26/51

* cited by examiner

Primary Examiner — Brian N. Vinson

(74) *Attorney, Agent, or Firm* — Jie Yang; ZANIP

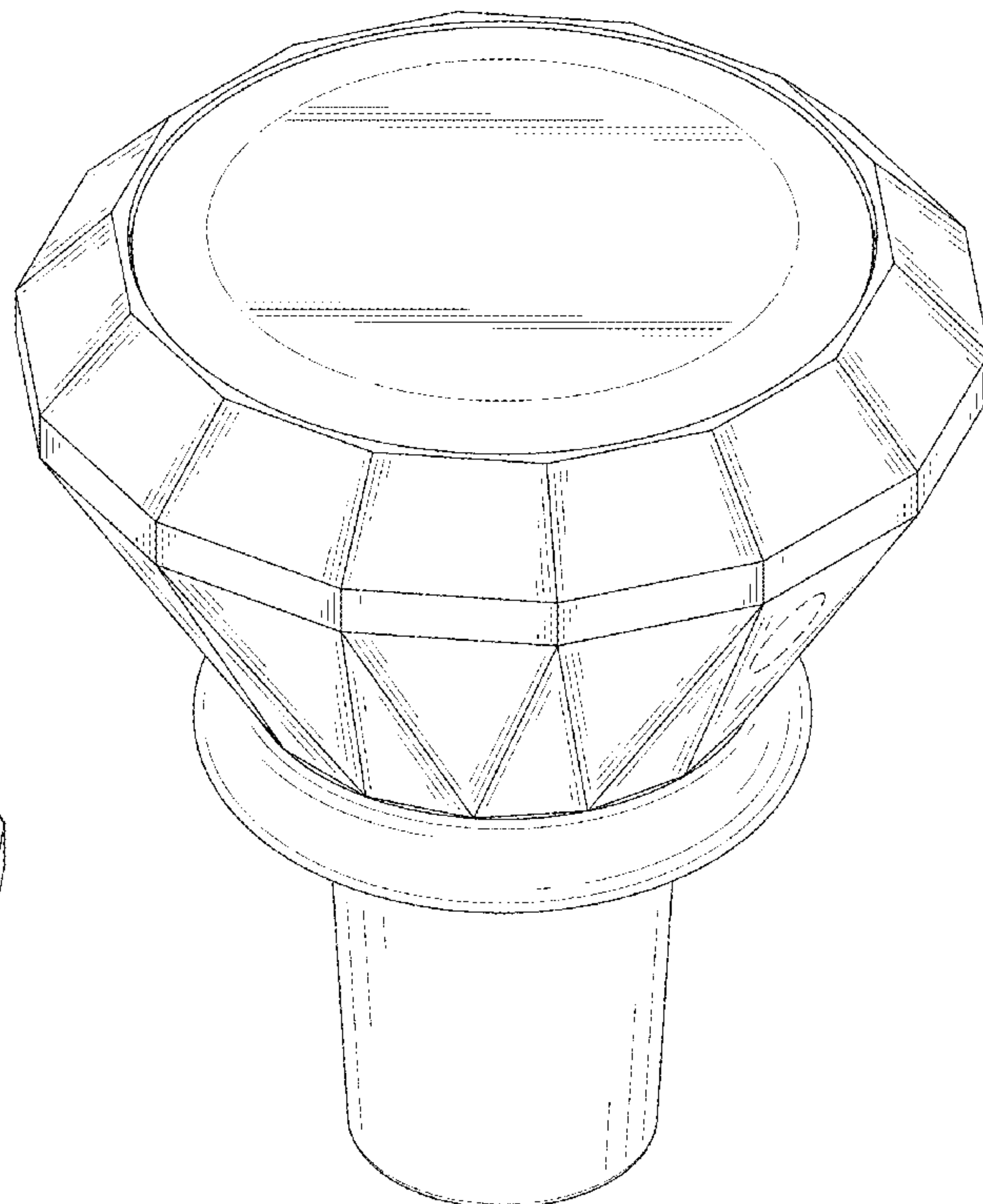
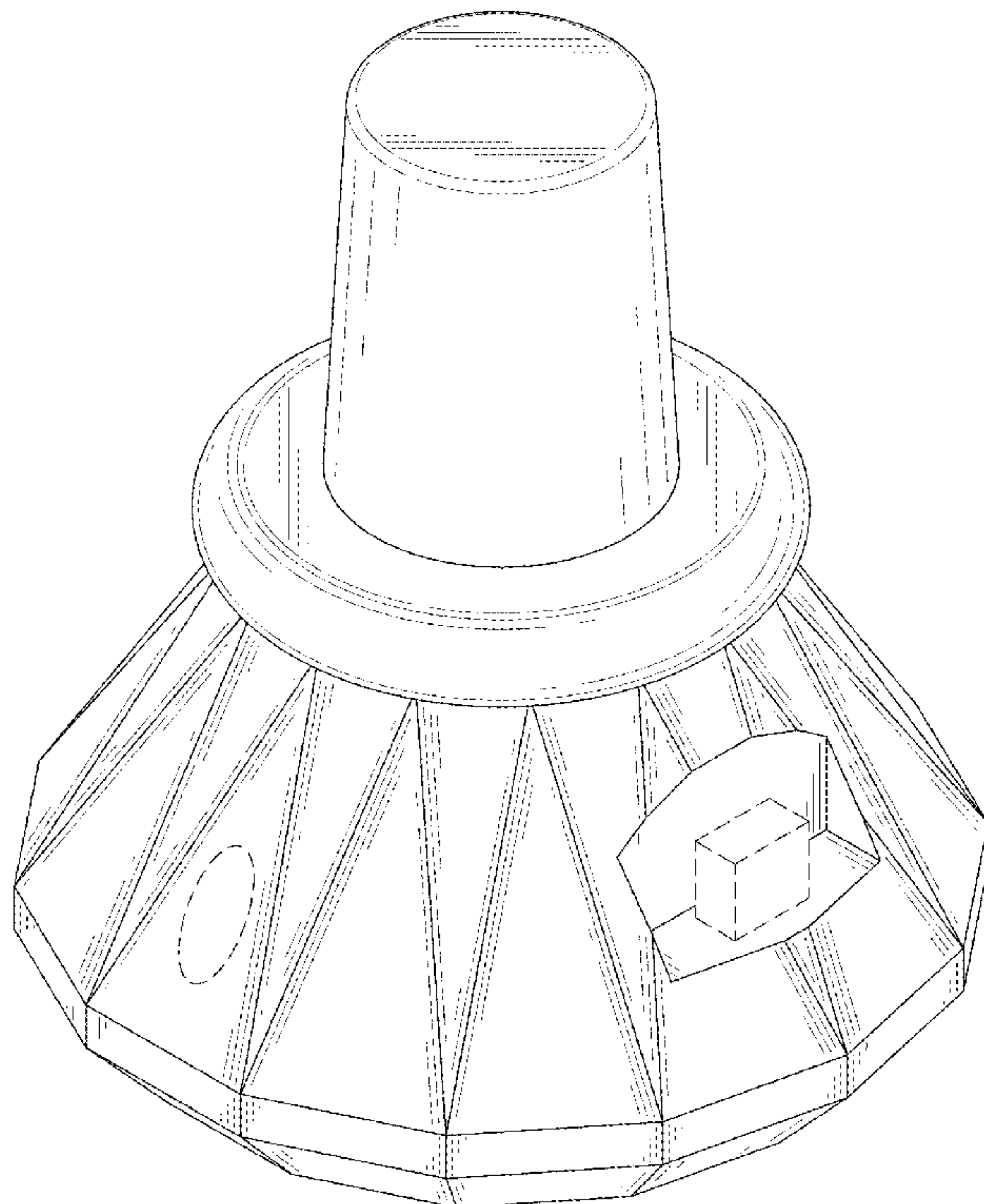
(57) **CLAIM**

The ornamental design for a cork-shaped solar light, as shown and described.

DESCRIPTION

FIG. 1 is a front and top perspective view of a cork-shaped solar light, showing my new design;
FIG. 2 is a rear and bottom perspective view thereof;
FIG. 3 is a front elevational view thereof;
FIG. 4 is a rear elevational view thereof;
FIG. 5 is a left side elevational view thereof;
FIG. 6 is a right side elevational view thereof;
FIG. 7 is a top plan view thereof; and,
FIG. 8 is a bottom plan view thereof.
The broken lines in the figures illustrate portions of the cork-shaped solar light that form no part of the claimed design.

1 Claim, 8 Drawing Sheets



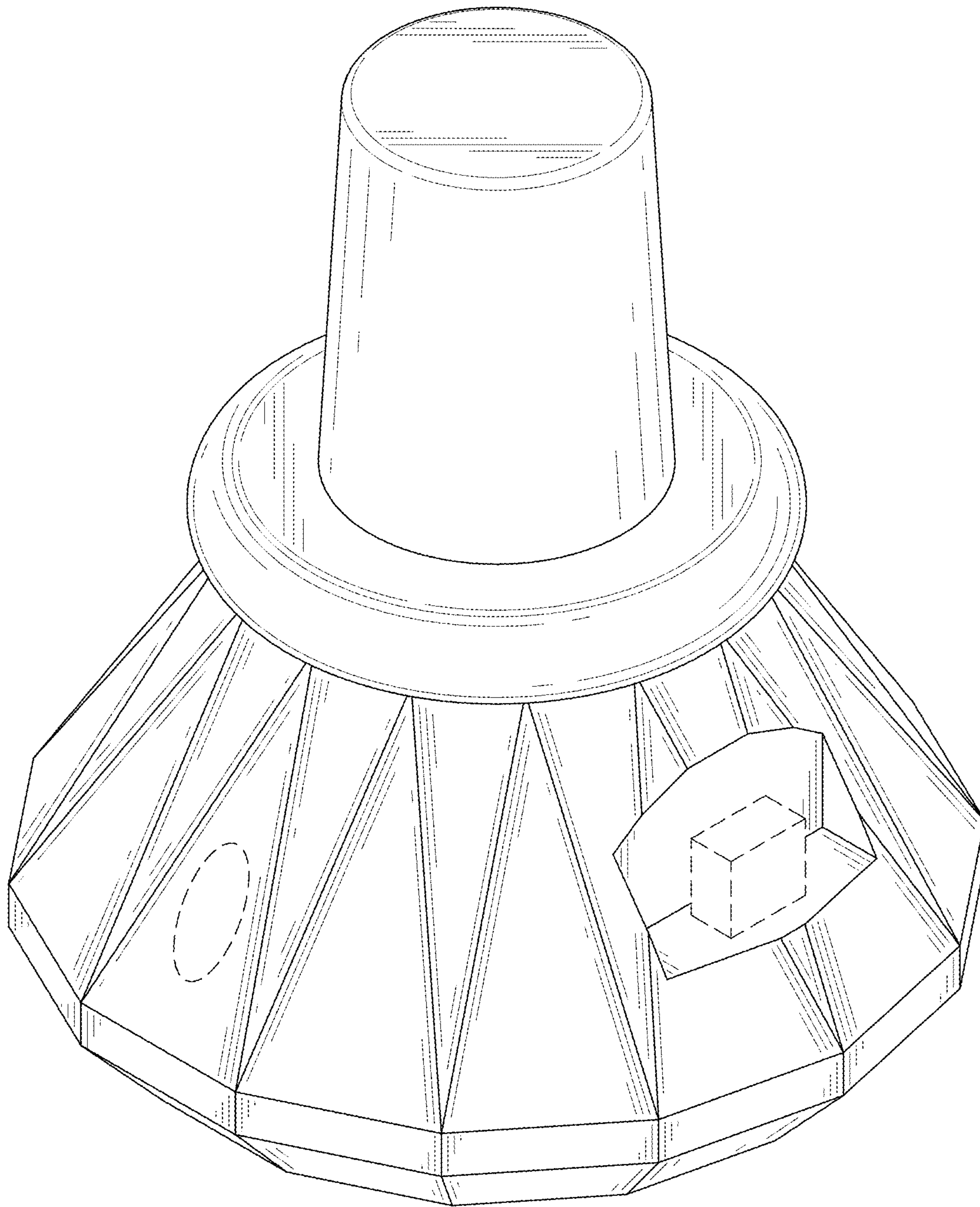


FIG. 1

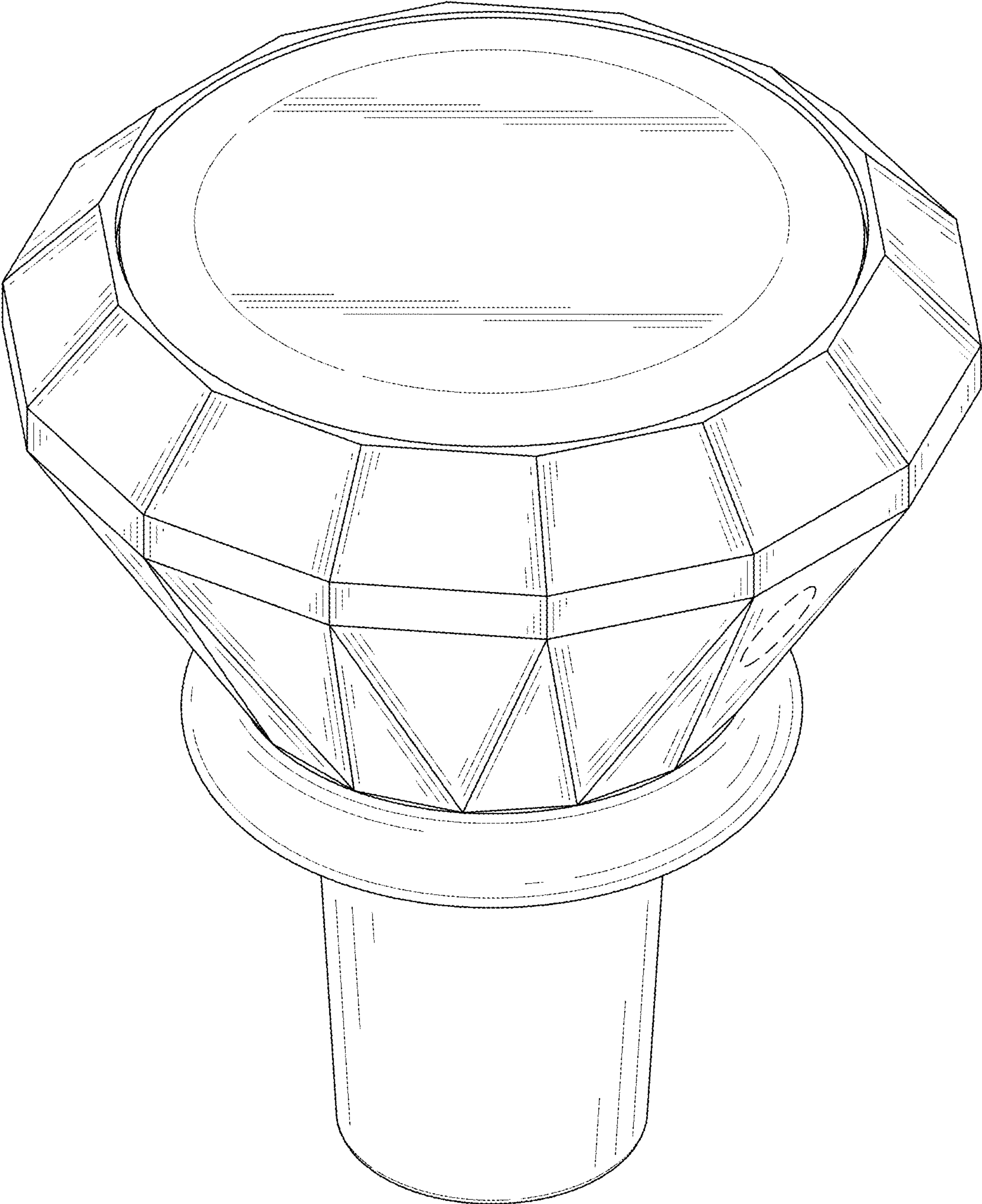


FIG. 2

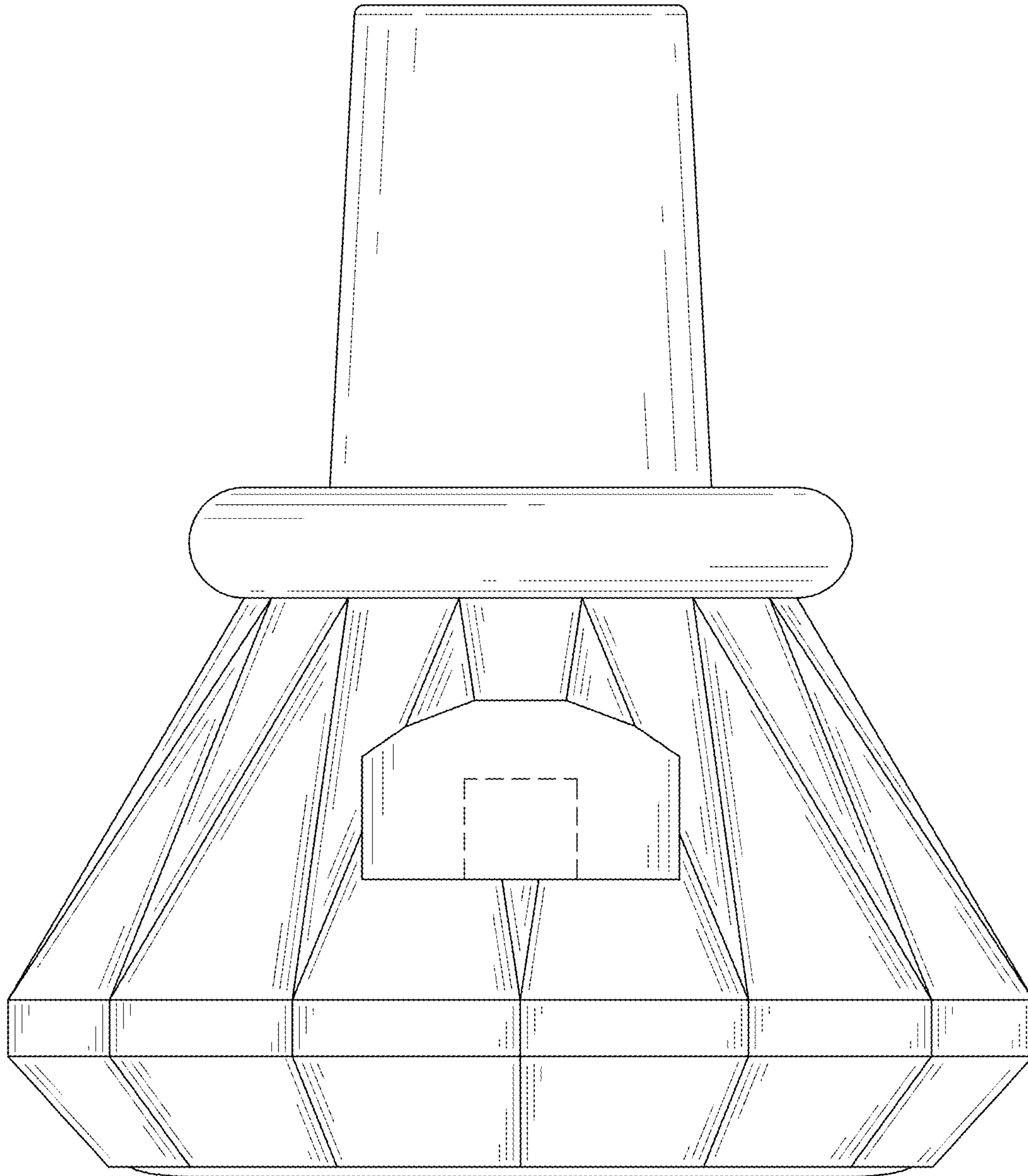


FIG. 3

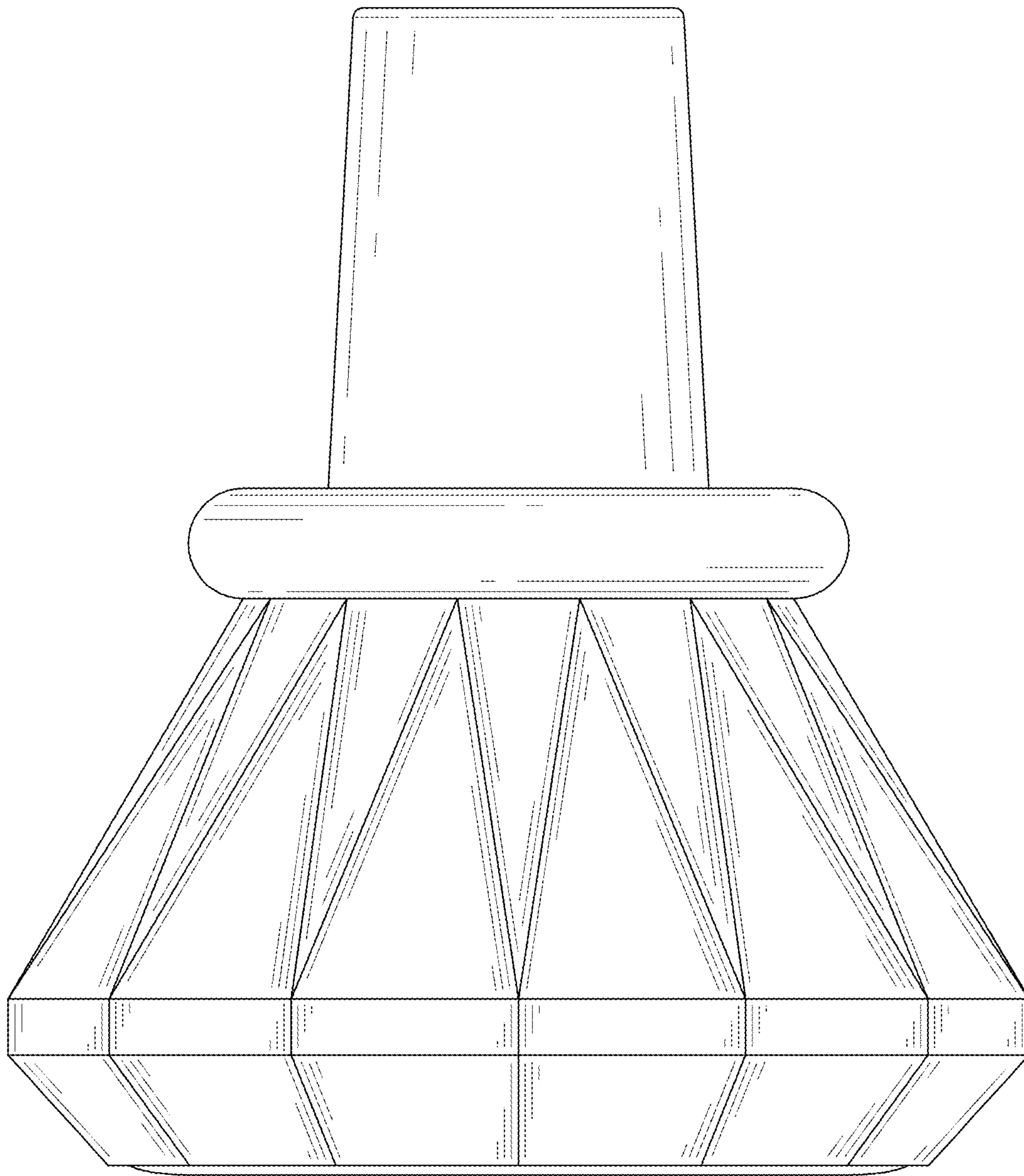


FIG. 4

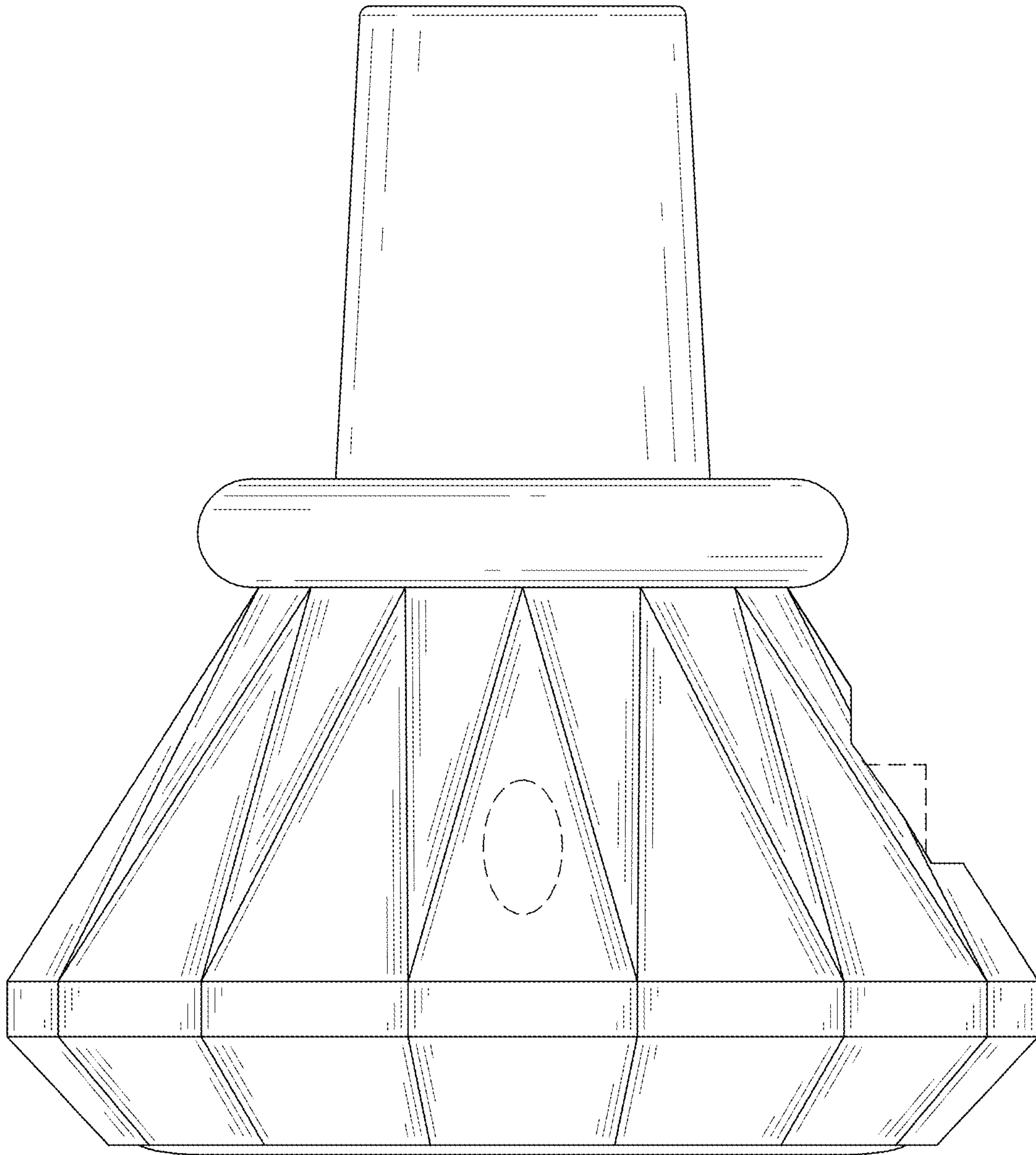


FIG. 5

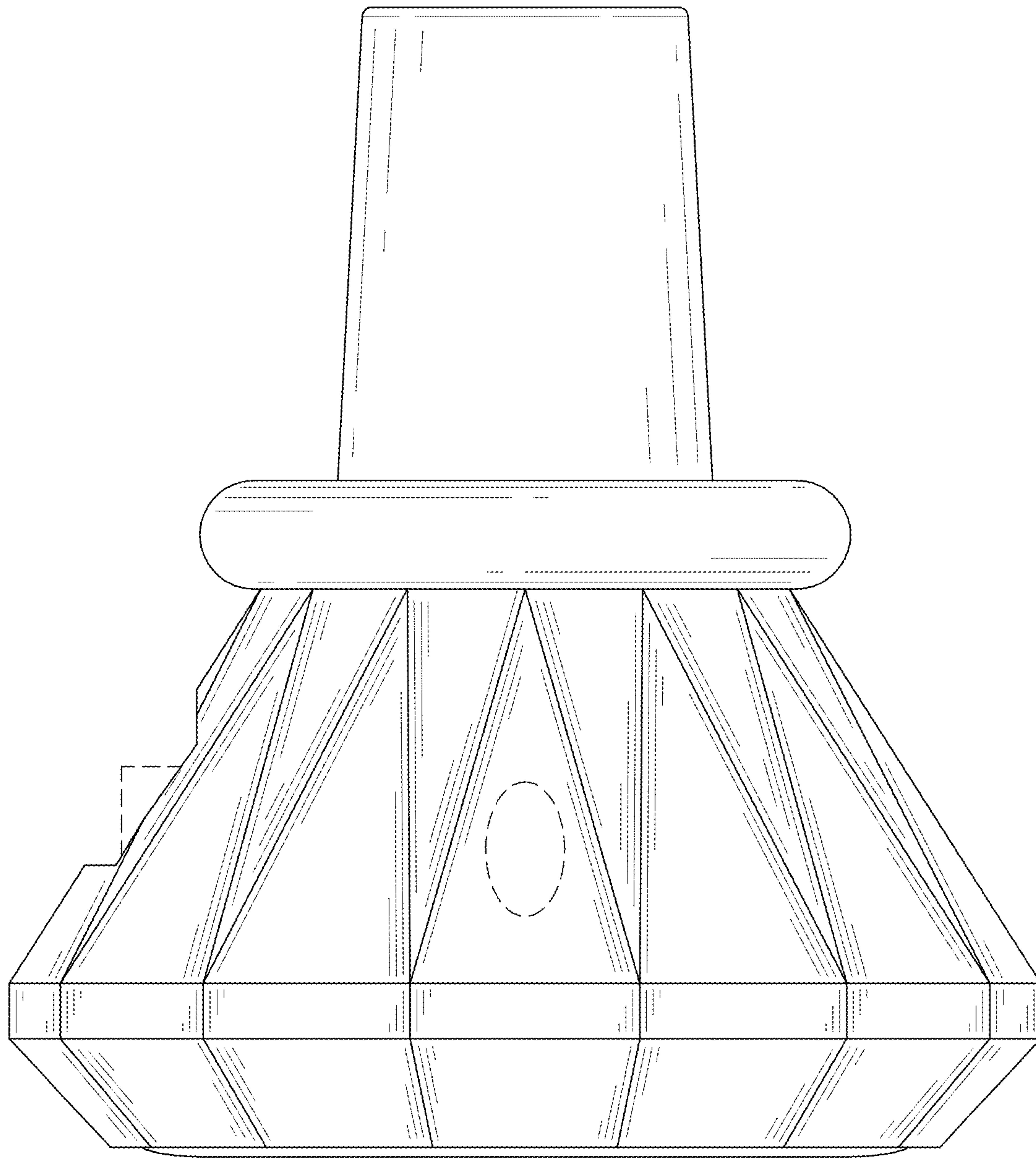


FIG. 6

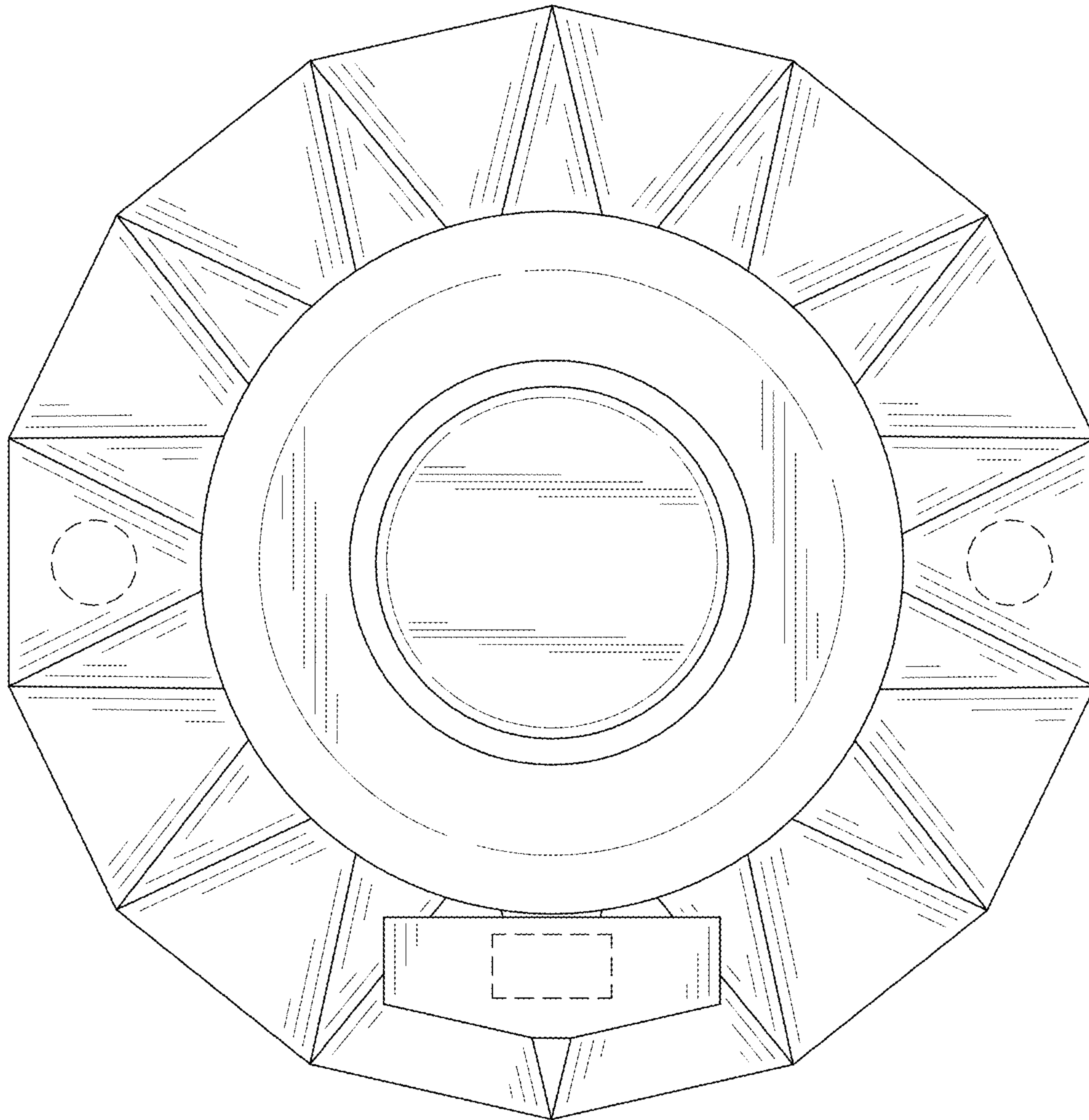


FIG. 7

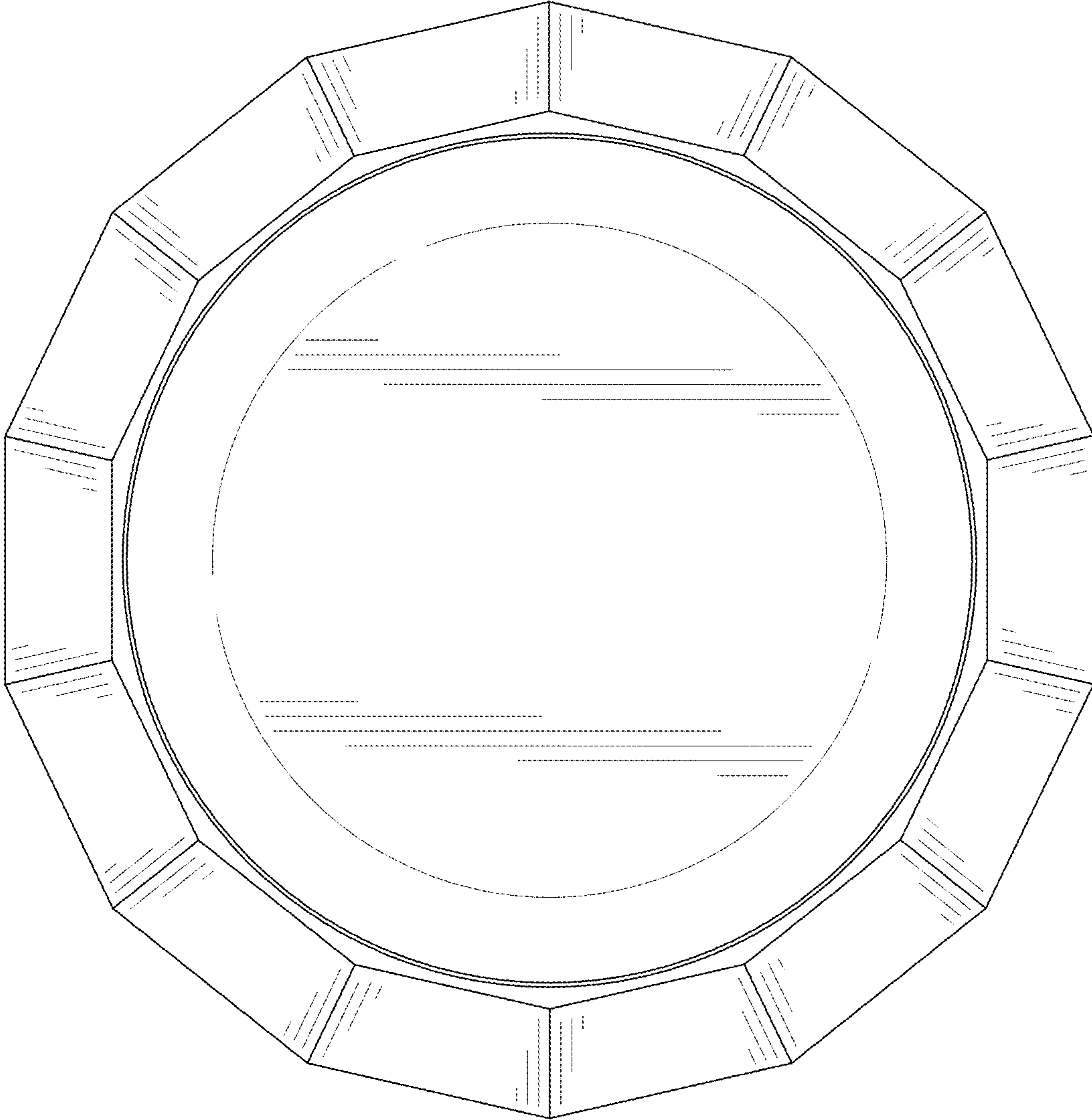


FIG. 8