



US00D879355S

(12) **United States Design Patent**
Gillespie

(10) **Patent No.:** **US D879,355 S**
(45) **Date of Patent:** **** Mar. 24, 2020**

(54) **LAMP**

(71) Applicant: **OVUUD, LLC**, Philadelphia, PA (US)
(72) Inventor: **Benjamin J. Gillespie**, Philadelphia, PA (US)

(73) Assignee: **OVUUD, LLC**, Philadelphia, PA (US)

(**) Term: **15 Years**

(21) Appl. No.: **29/659,682**

(22) Filed: **Aug. 10, 2018**

(51) **LOC (12) Cl.** **26-05**

(52) **U.S. Cl.**
USPC **D26/93**

(58) **Field of Classification Search**
USPC D26/1, 24, 40, 88, 93, 96, 104, 105, 106,
D26/107, 108, 109, 110, 128; D14/172,
D14/188, 496, 509

(Continued)

(56) **References Cited**

U.S. PATENT DOCUMENTS

D29,301 S 9/1898 Fleming
D204,899 S 5/1966 Curry

(Continued)

Primary Examiner — Wan Laymon

Assistant Examiner — Clint A Samuel

(74) *Attorney, Agent, or Firm* — Benjamin J. Gillespie

(57) **CLAIM**

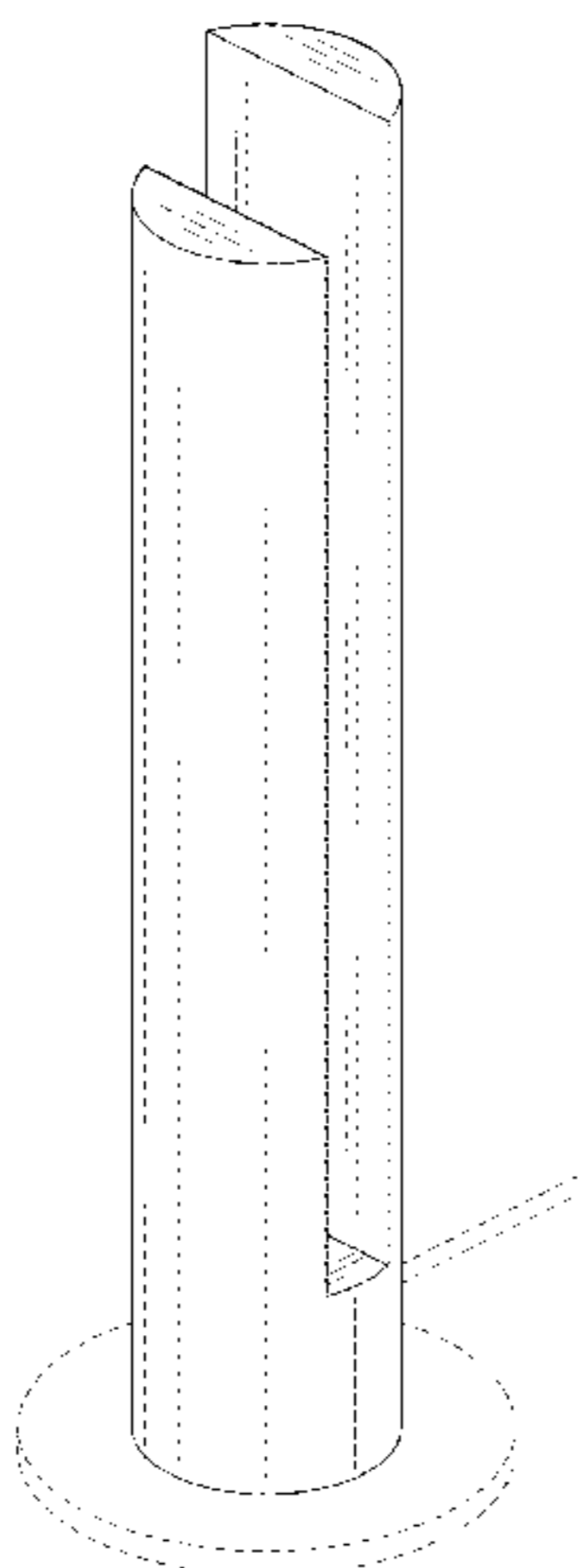
The ornamental design for a lamp, as shown and described.

DESCRIPTION

FIG. 1 is a front-right top perspective view of a lamp according to a first embodiment of the present invention; FIG. 2 is a front-left bottom perspective view of the lamp thereof;

FIG. 3 is a rear-left bottom perspective view of the lamp thereof;
FIG. 4 is a rear-right top perspective view of the lamp thereof;
FIG. 5 is a right-side plan view of the lamp thereof;
FIG. 6 is a left-side plan view of the lamp thereof;
FIG. 7 is a rear plan view of the lamp thereof;
FIG. 8 is a front plan view of the lamp thereof;
FIG. 9 is a top plan view of the lamp thereof;
FIG. 10 is a bottom plan view of the lamp thereof;
FIG. 11 is a front-right top perspective view of a lamp according to a second embodiment of the present invention;
FIG. 12 is a front-left bottom perspective view of the lamp thereof;
FIG. 13 is a rear-left bottom perspective view of the lamp thereof;
FIG. 14 is a rear-right top perspective view of the lamp thereof;
FIG. 15 is a right-side plan view of the lamp thereof;
FIG. 16 is a left-side plan view of the lamp thereof;
FIG. 17 is a rear plan view of the lamp thereof;
FIG. 18 is a front plan view of the lamp thereof;
FIG. 19 is a top plan view of the lamp thereof;
FIG. 20 is a bottom plan view of the lamp thereof;
FIG. 21 is a front-right top perspective view of a lamp according to a third embodiment of the present invention;
FIG. 22 is a front-left bottom perspective view of the lamp thereof;
FIG. 23 is a rear-left bottom perspective view of the lamp thereof;
FIG. 24 is a rear-right top perspective view of the lamp thereof;
FIG. 25 is a right-side plan view of the lamp thereof;
FIG. 26 is a left-side plan view of the lamp thereof;
FIG. 27 is a rear plan view of the lamp thereof;
FIG. 28 is a front plan view of the lamp thereof;
FIG. 29 is a top plan view of the lamp thereof; and,
FIG. 30 is a bottom plan view of the lamp thereof.
The dashed lines of FIGS. 1-30 formed by segments of equal length are for environmental purposes only and form no part of the claimed design. The dashed lines of FIGS. 11, 14-18, 21-28 and formed by a dash-dot-dash sequence represent an unclaimed boundary.

1 Claim, 27 Drawing Sheets



(58) **Field of Classification Search**

CPC F21S 6/00; F21S 6/002; F21S 6/003; F21S 6/004; F21S 6/005; F21S 6/006; F21S 6/007; F21S 8/035; F21S 8/063; F21V 15/01; F21V 15/012; F21V 21/06; F21V 21/08; F21V 33/00; F21V 33/0024; F21V 33/0048; F21V 33/0056; F21W 2131/30; F21W 2131/40; F21W 2131/301

See application file for complete search history.

(56) **References Cited**

U.S. PATENT DOCUMENTS

D223,589	S	5/1972	Waddell	
D438,327	S	2/2001	Chelf et al.	
D532,145	S *	11/2006	Goetz-Schaefer	D26/106
D589,175	S	3/2009	Xue	
D632,837	S	2/2011	Grajcar	
D674,958	S *	1/2013	Ng	D26/106
D675,769	S *	2/2013	Choi	D26/106
D719,288	S	12/2014	Sorensen et al.	
D729,971	S *	5/2015	Salojarvi	D26/104
D731,681	S *	6/2015	Pu	D13/180
D747,536	S *	1/2016	Huh	D26/107
D753,332	S *	4/2016	De Bevilacqua	D26/106
D774,238	S *	12/2016	August	D26/93
D774,658	S *	12/2016	Andersen	D24/210
D804,713	S	12/2017	Tsai	
D822,265	S *	7/2018	Tong	D26/107
D838,405	S *	1/2019	Ressler	D26/110
D855,230	S *	7/2019	Zhang	D26/63
D861,952	S	10/2019	Goorsenberg	

* cited by examiner

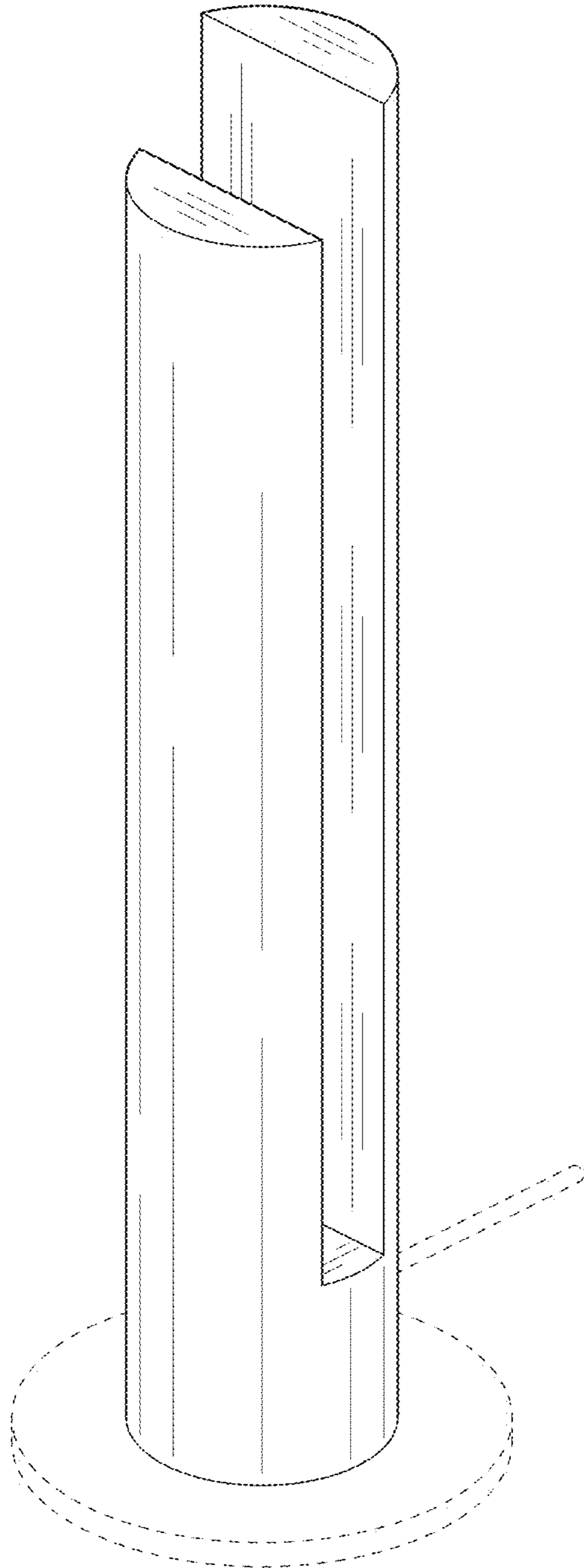


FIG. 1

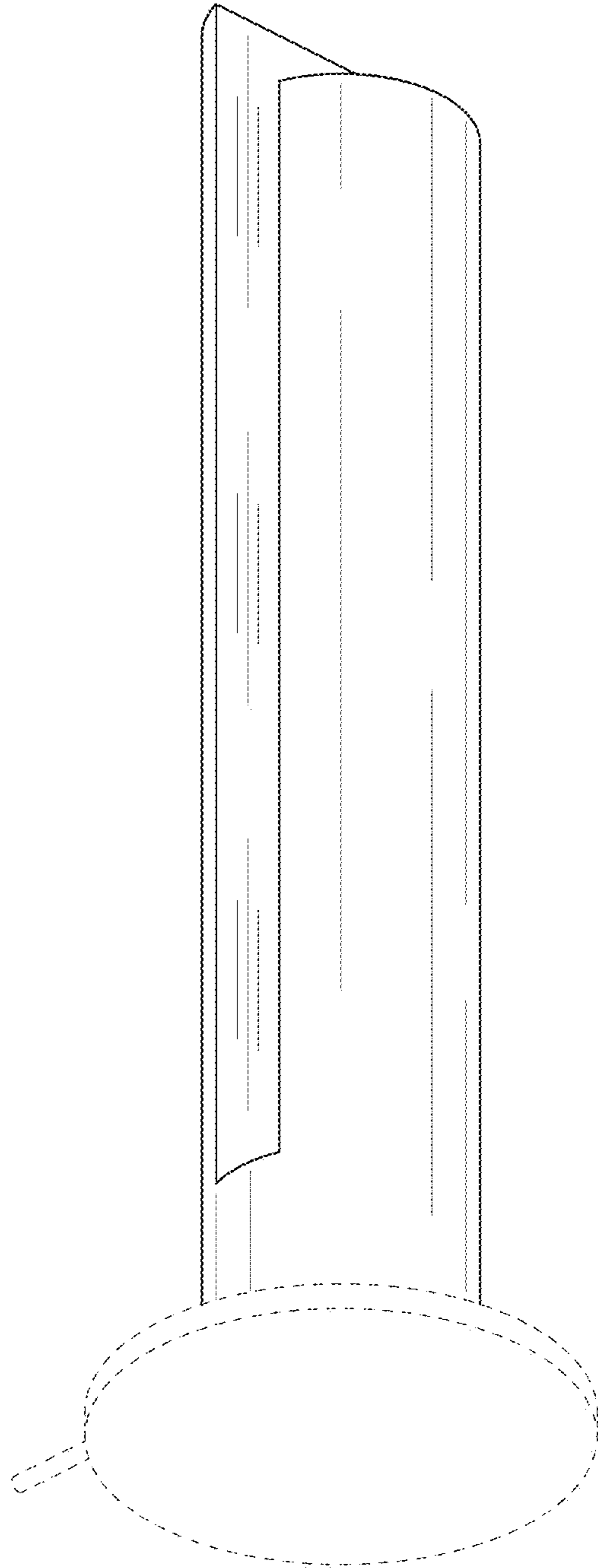


FIG. 2

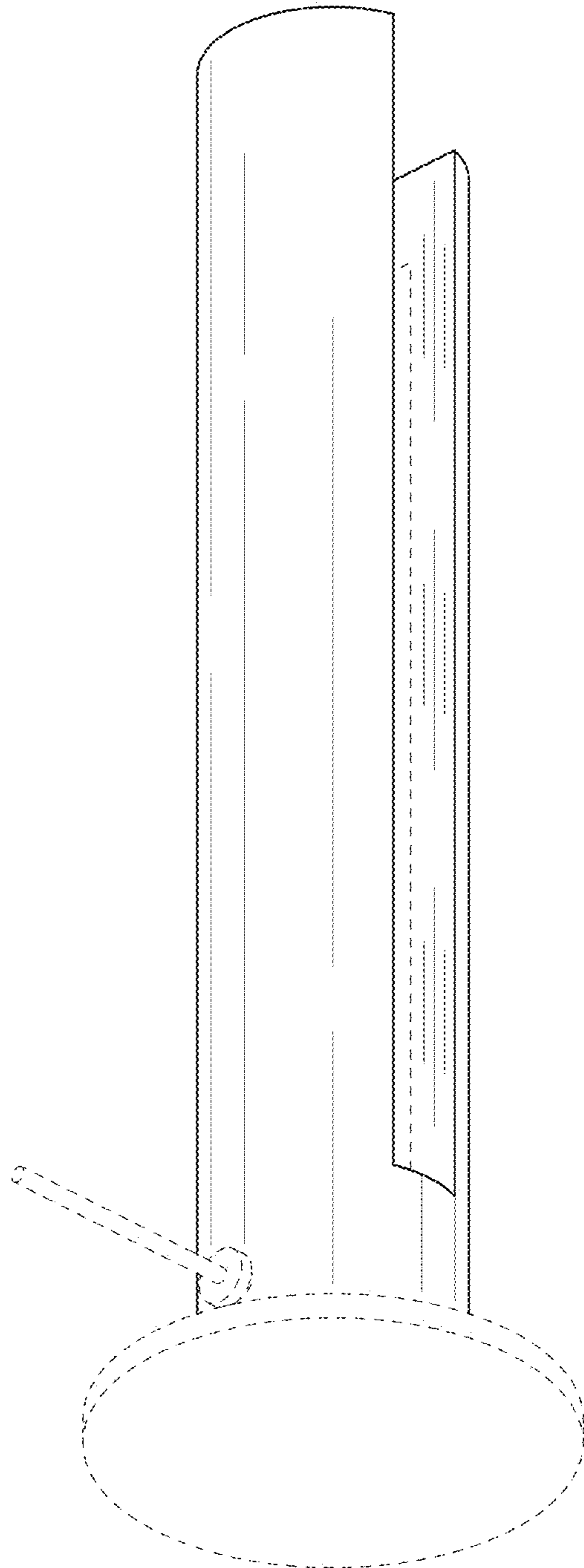


FIG. 3

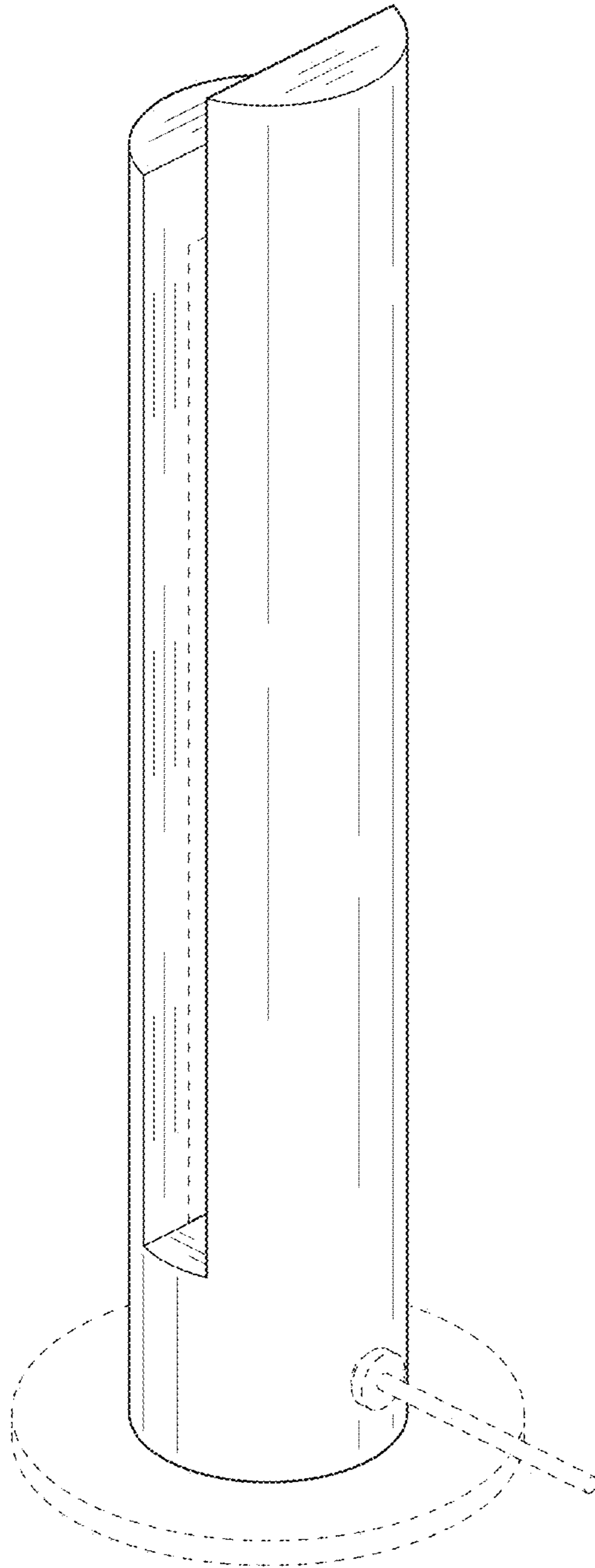


FIG. 4

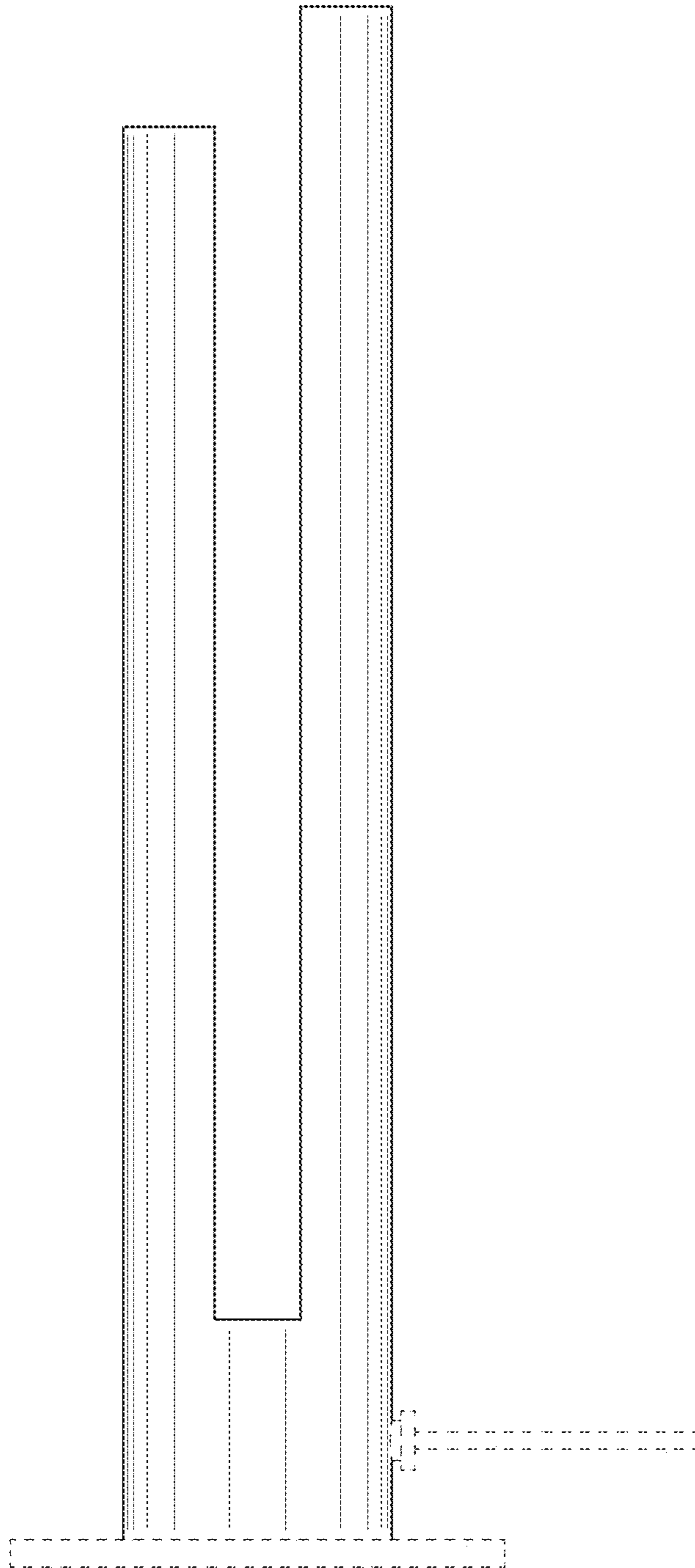


FIG. 5

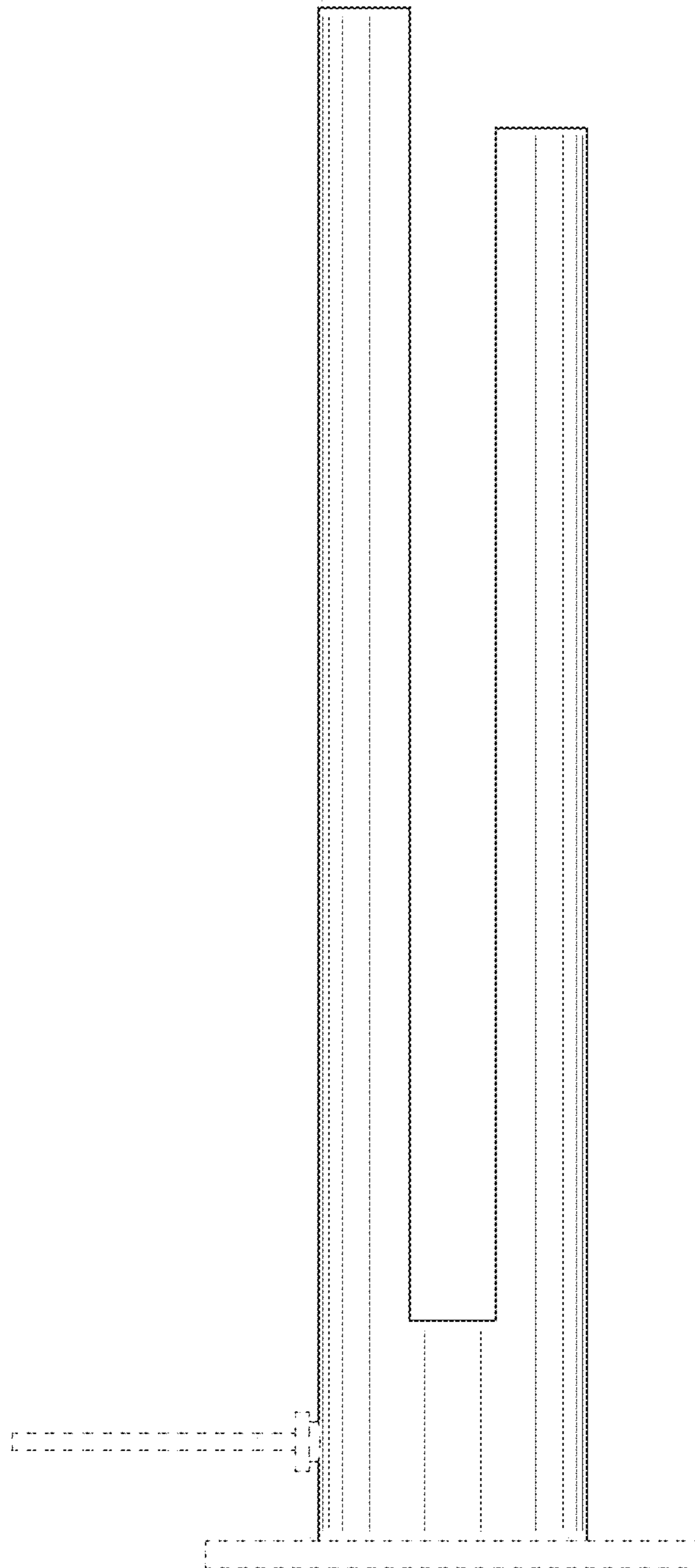


FIG. 6

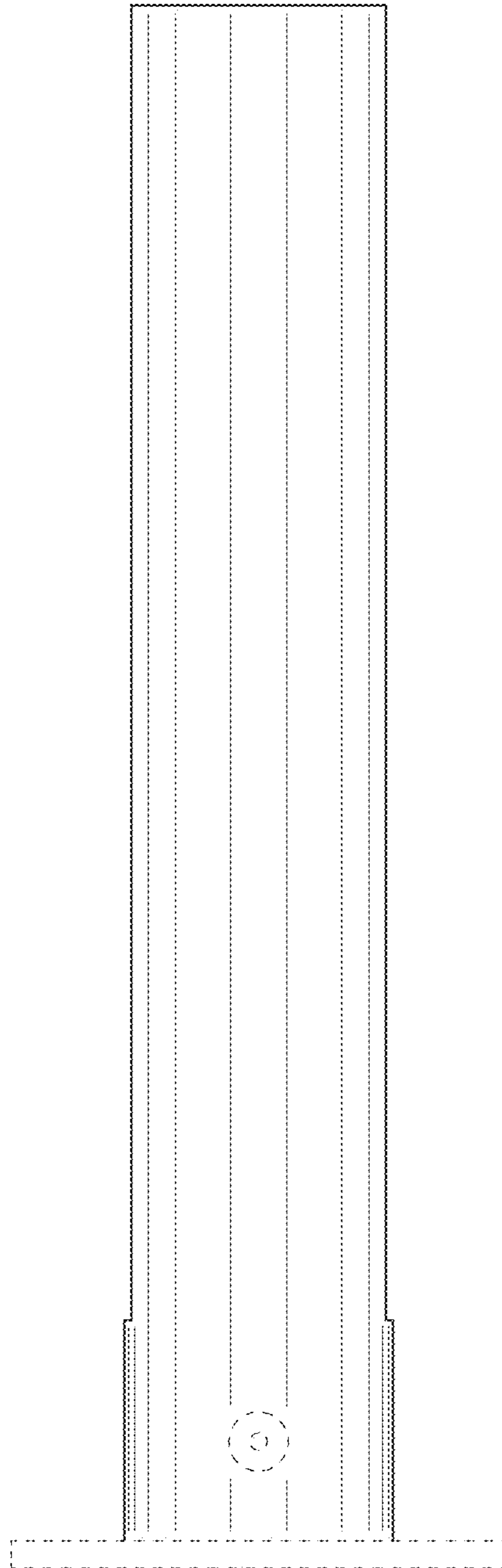


FIG. 7

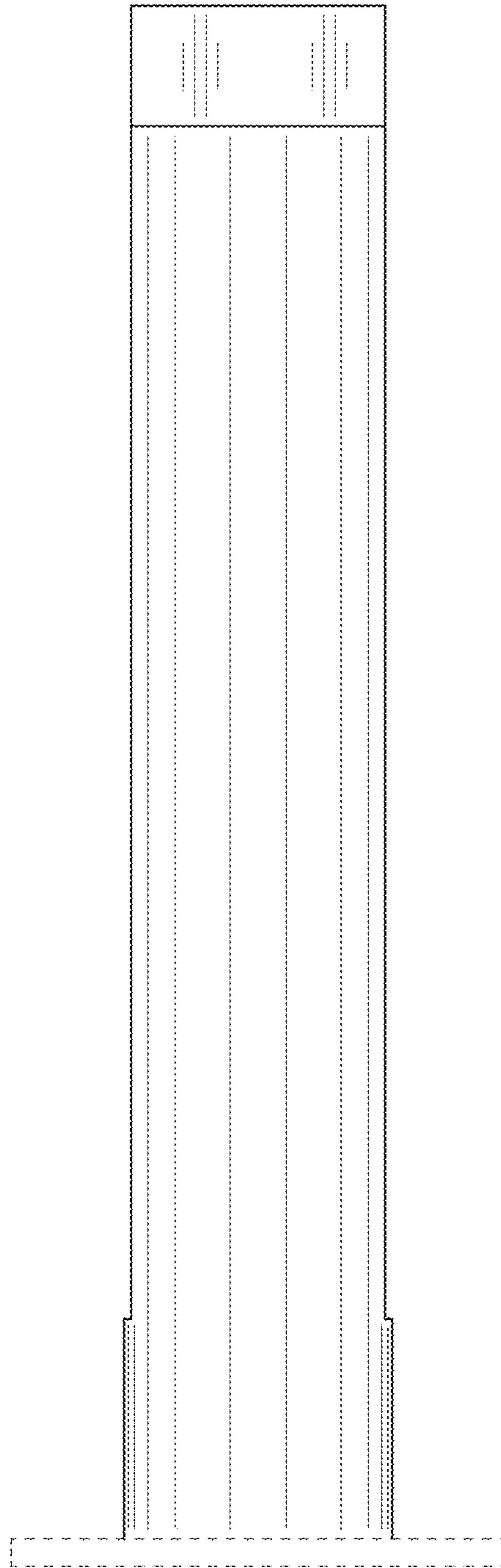


FIG. 8

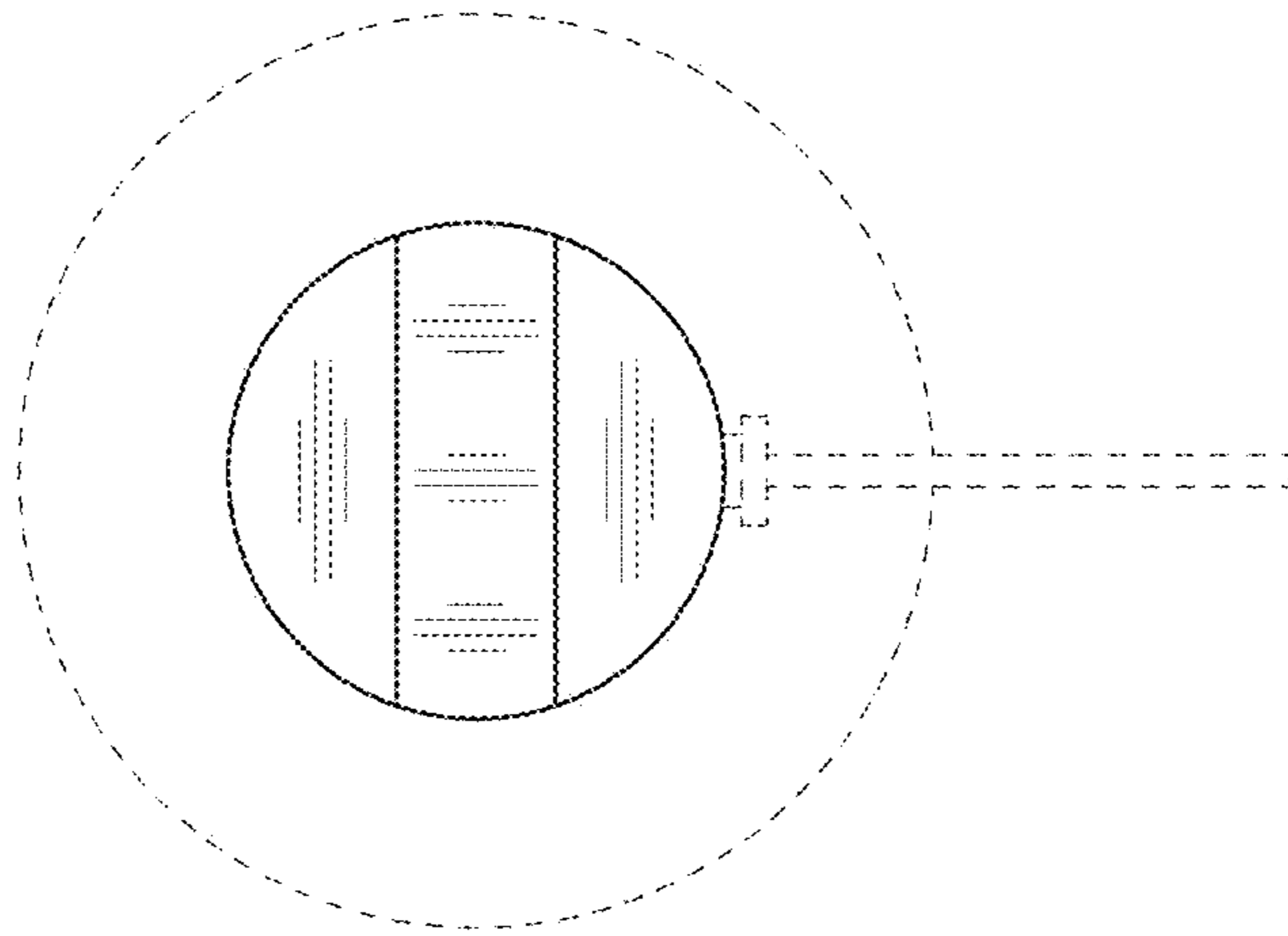


FIG. 9

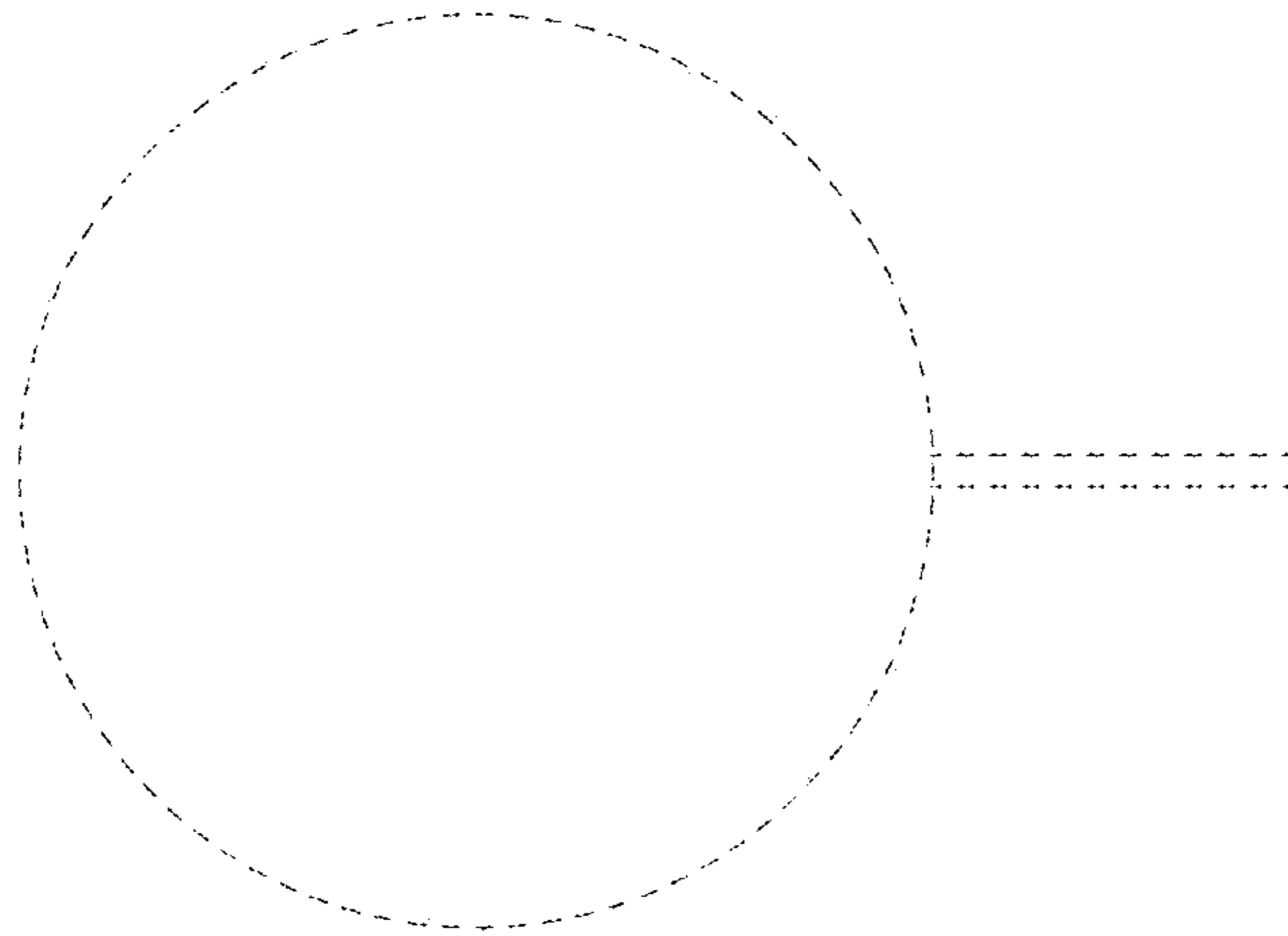


FIG. 10

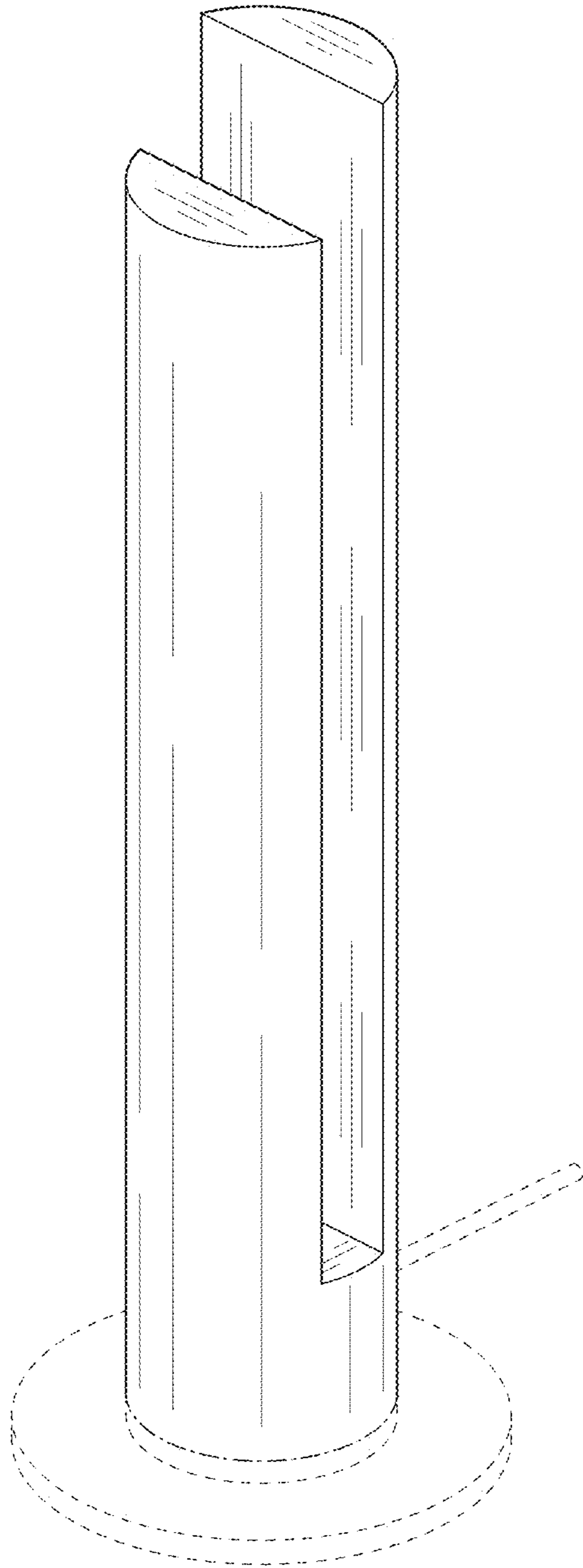


FIG. 11

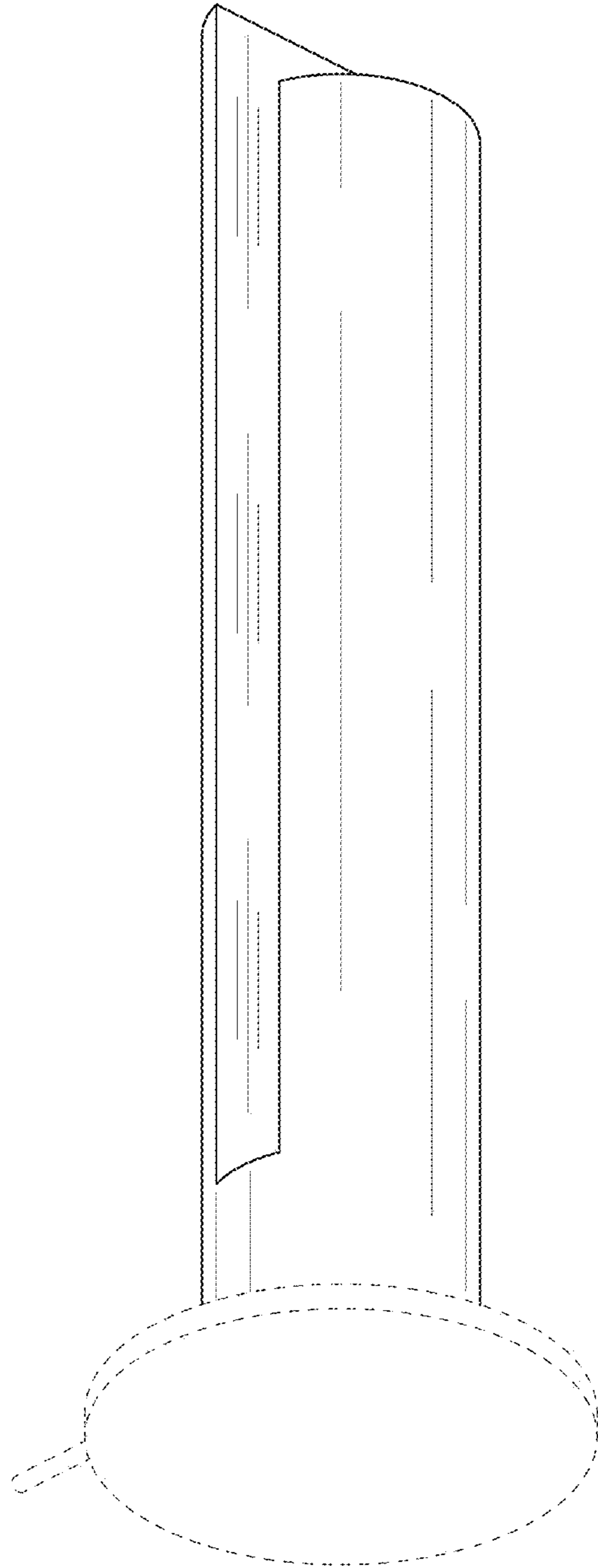


FIG. 12

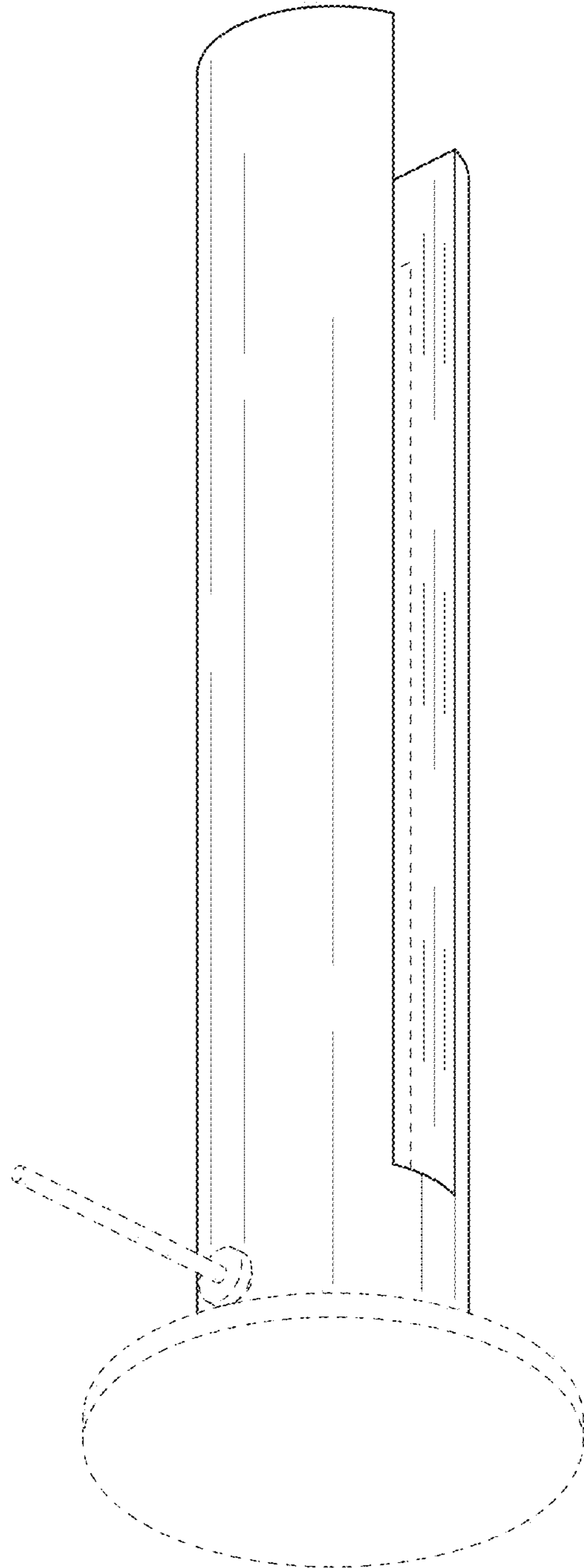


FIG. 13

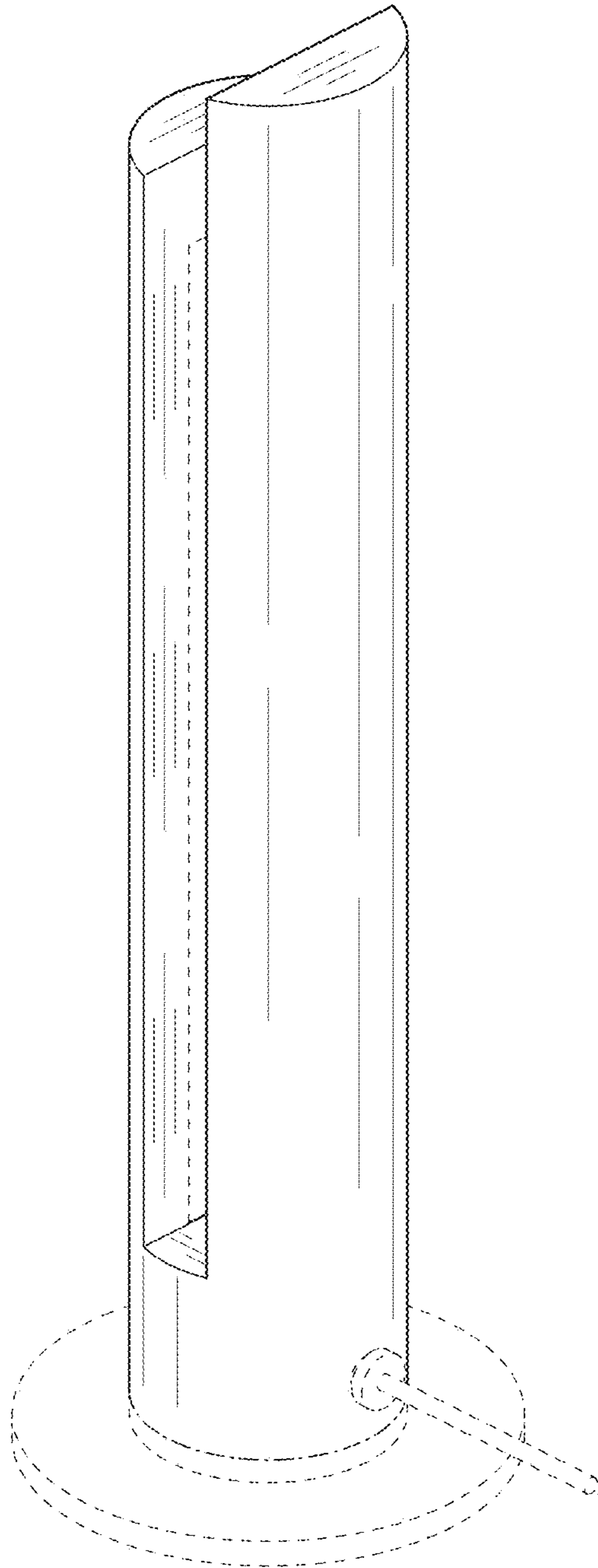


FIG. 14

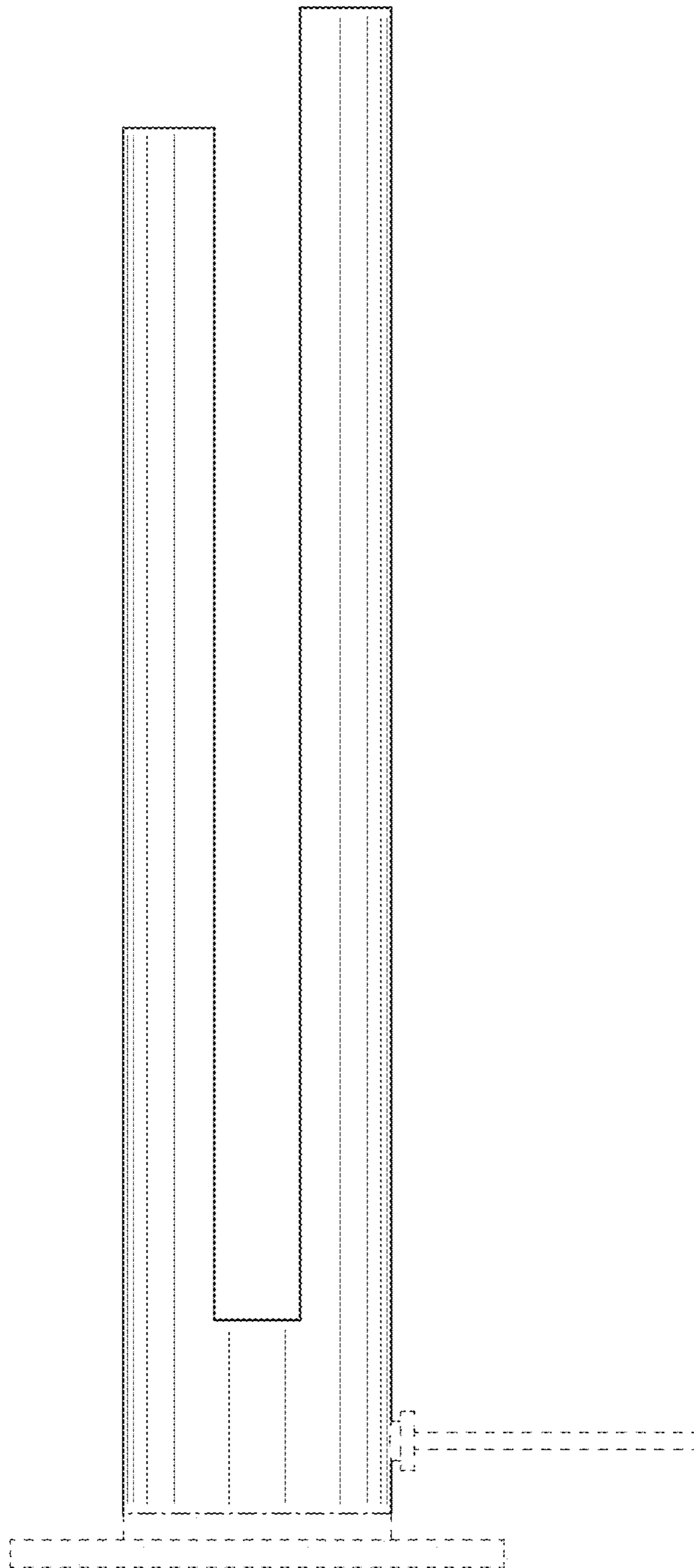


FIG. 15

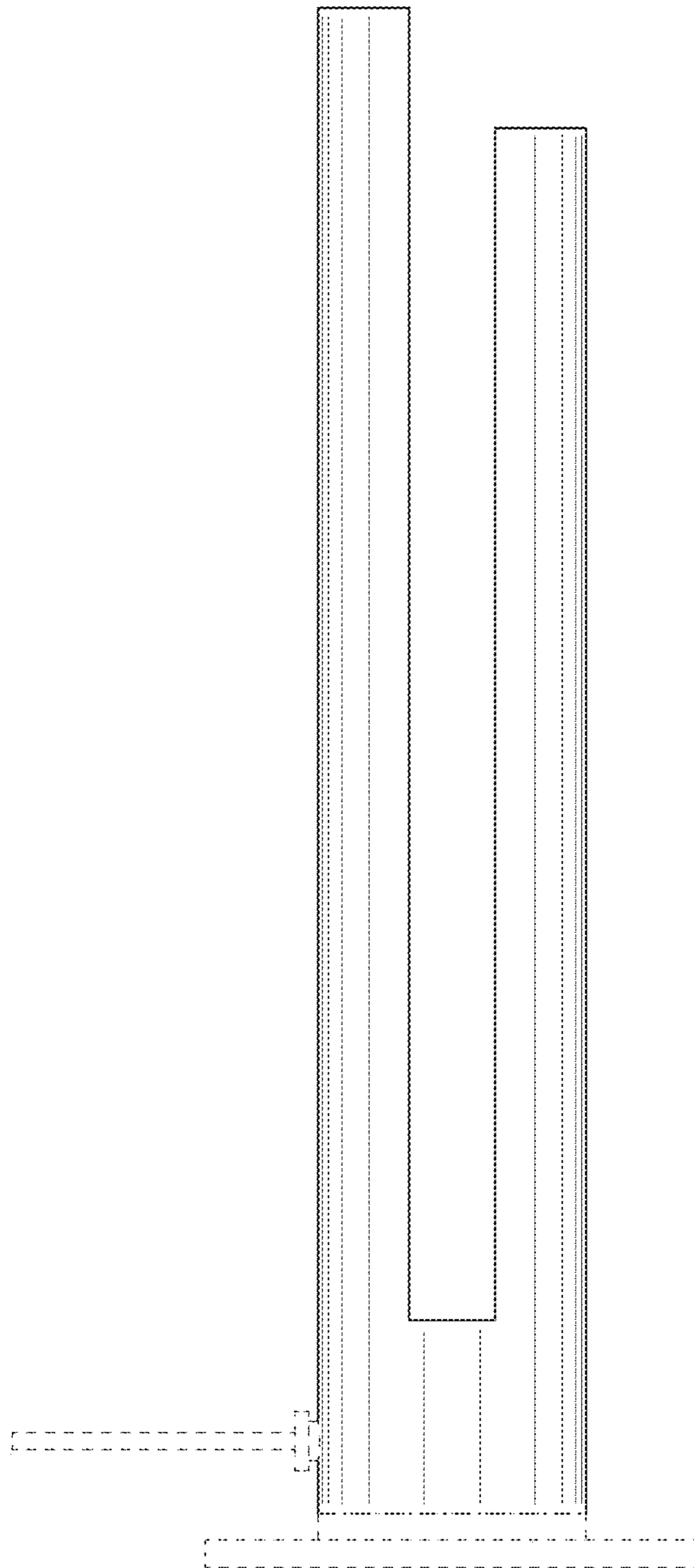


FIG. 16

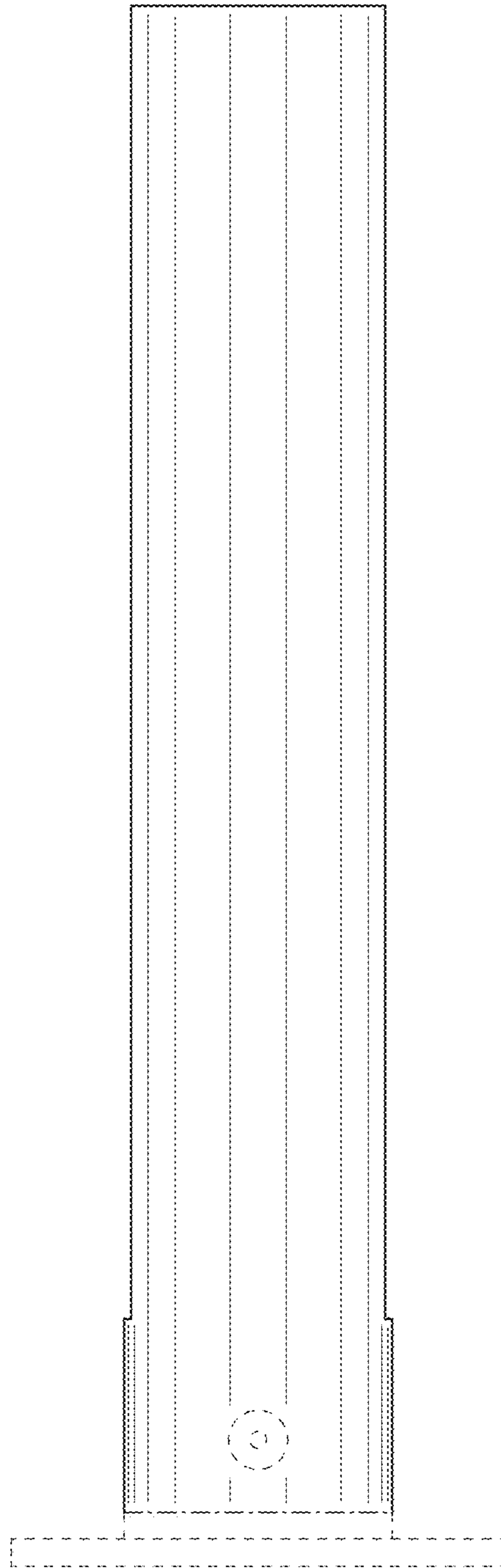


FIG. 17

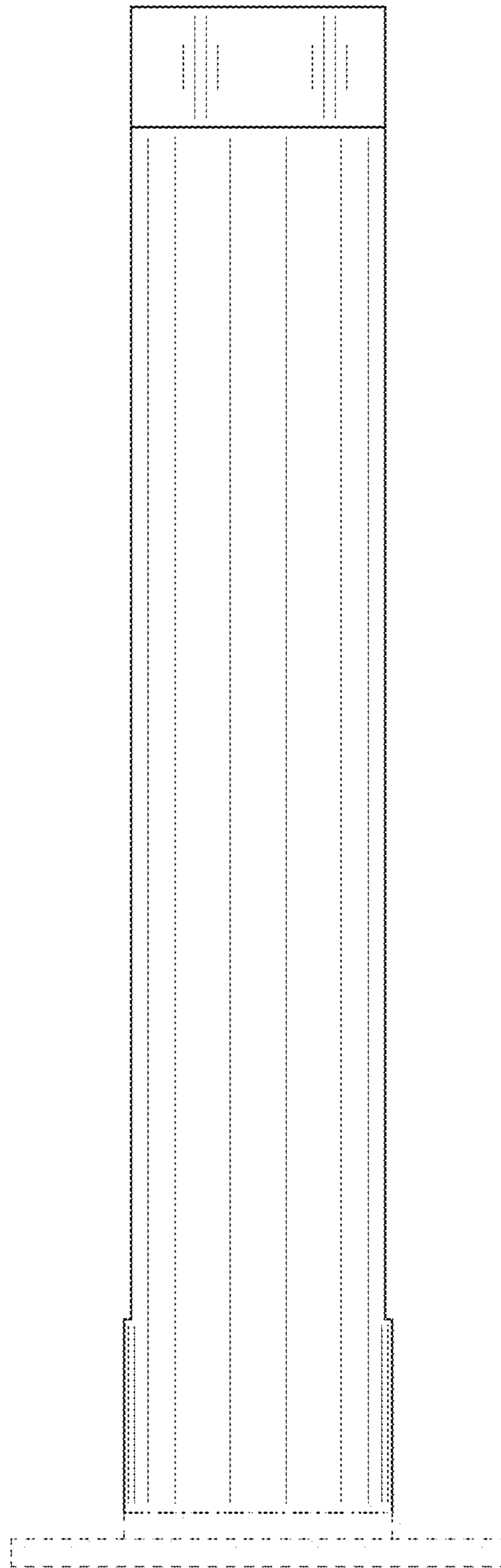


FIG. 18

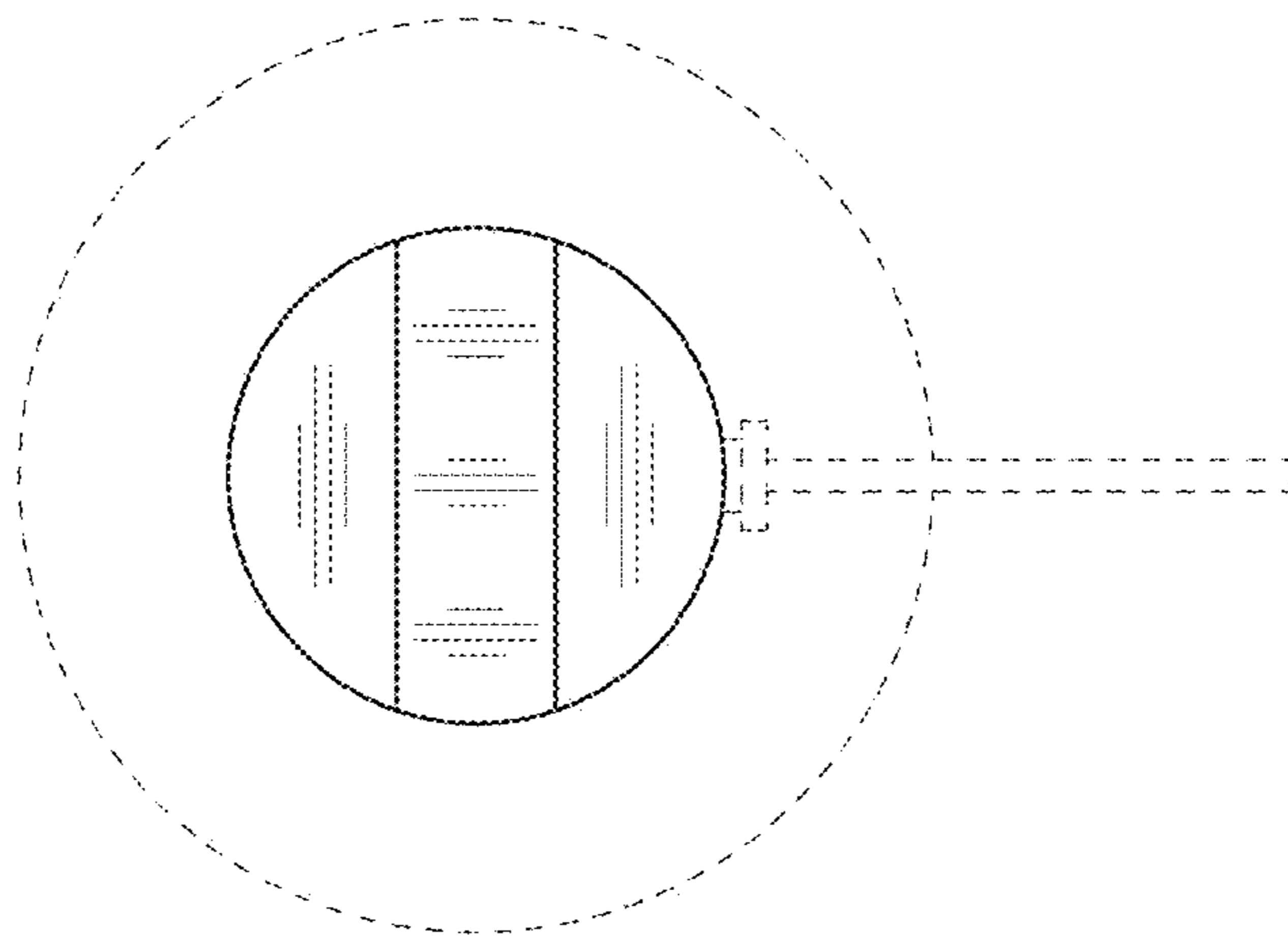


FIG. 19

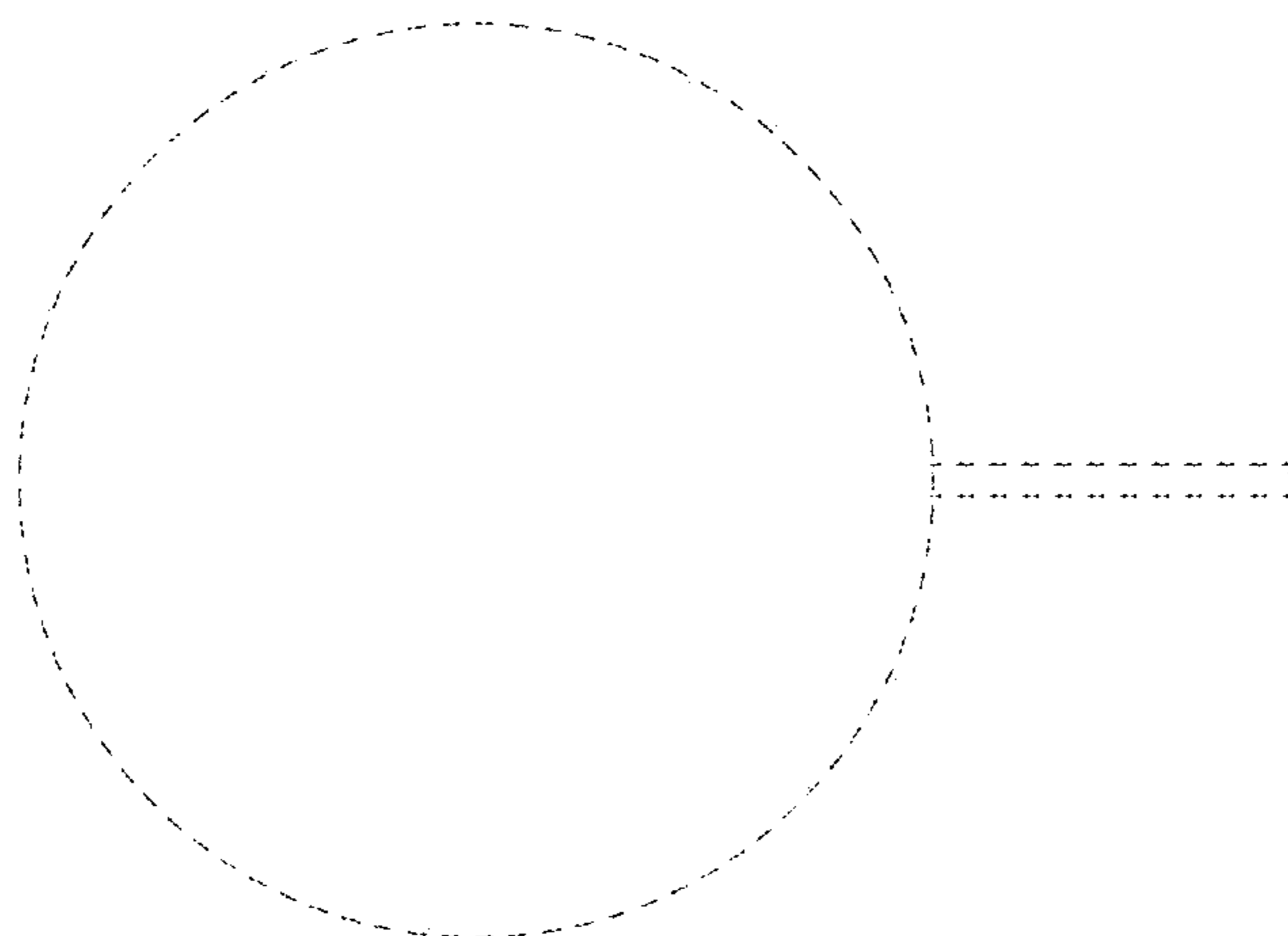


FIG. 20

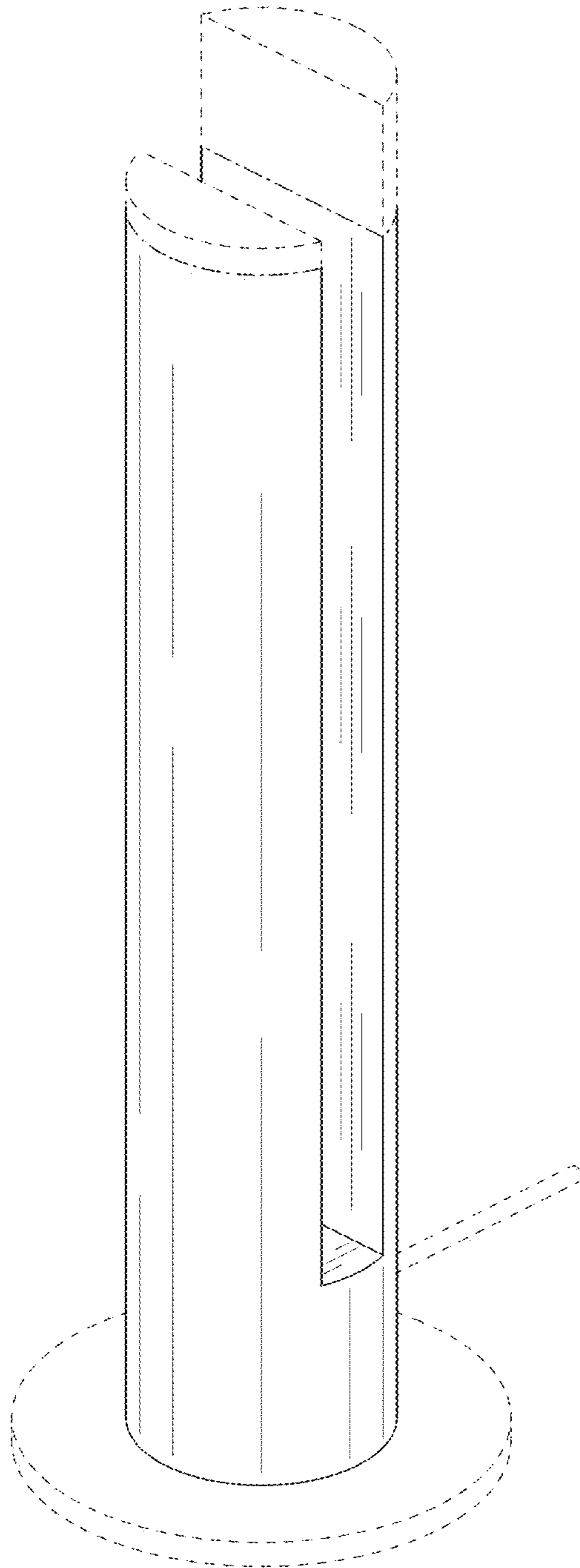


FIG. 21

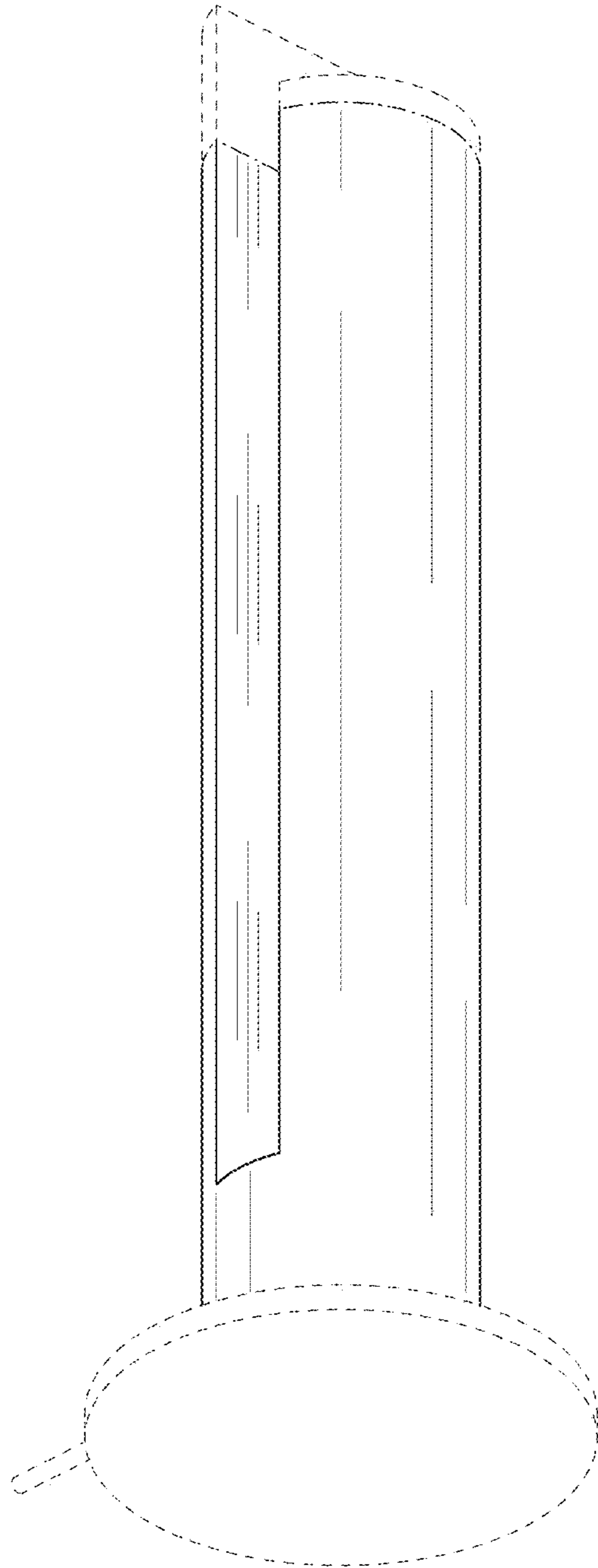


FIG. 22

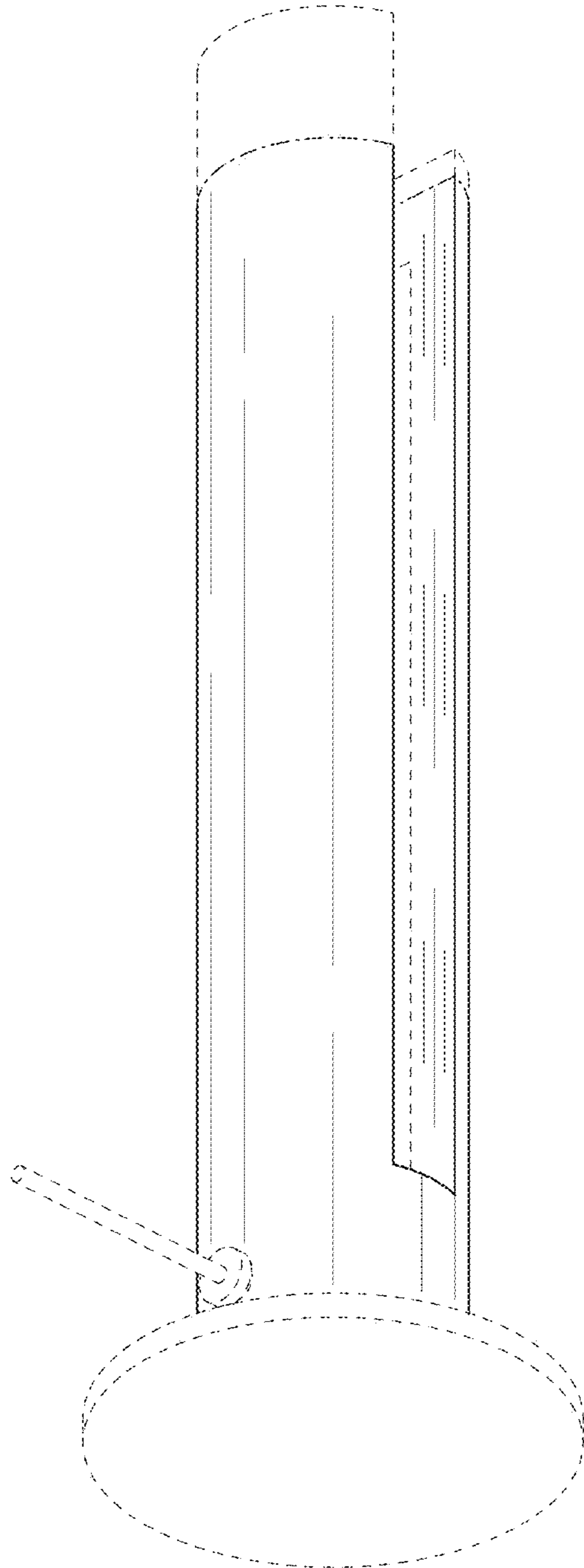


FIG. 23

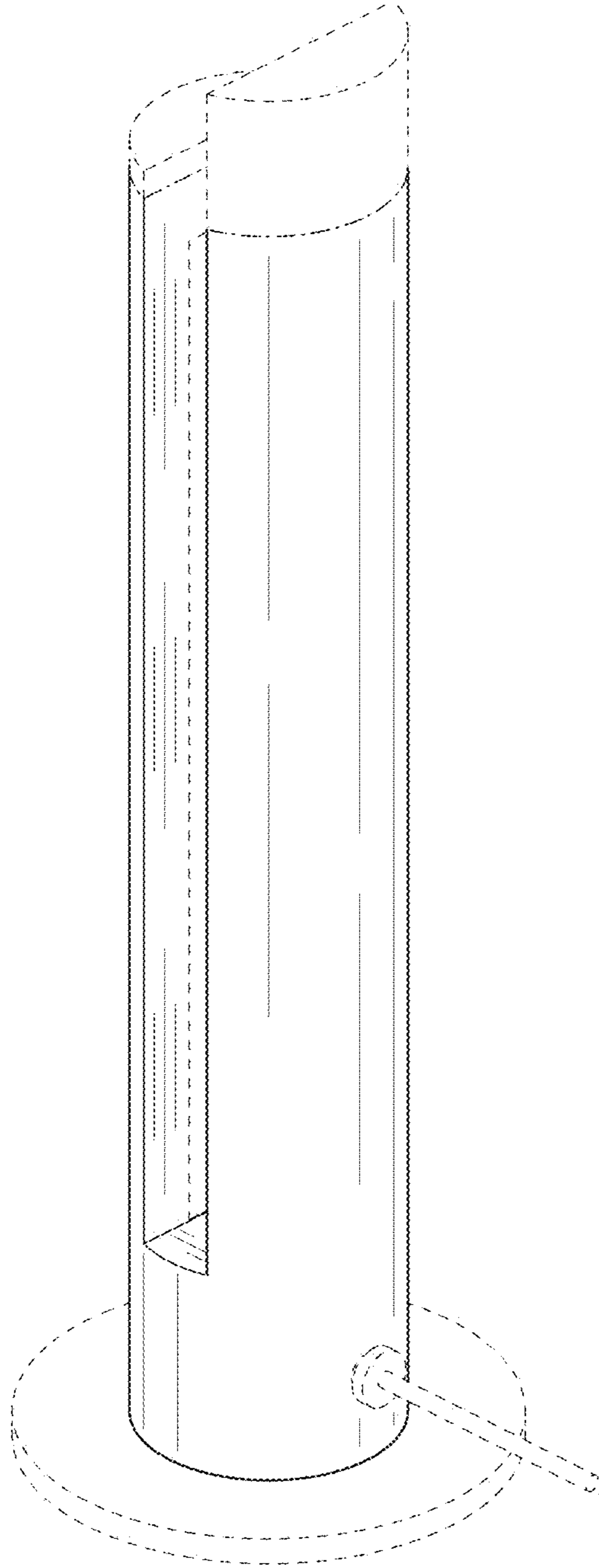


FIG. 24

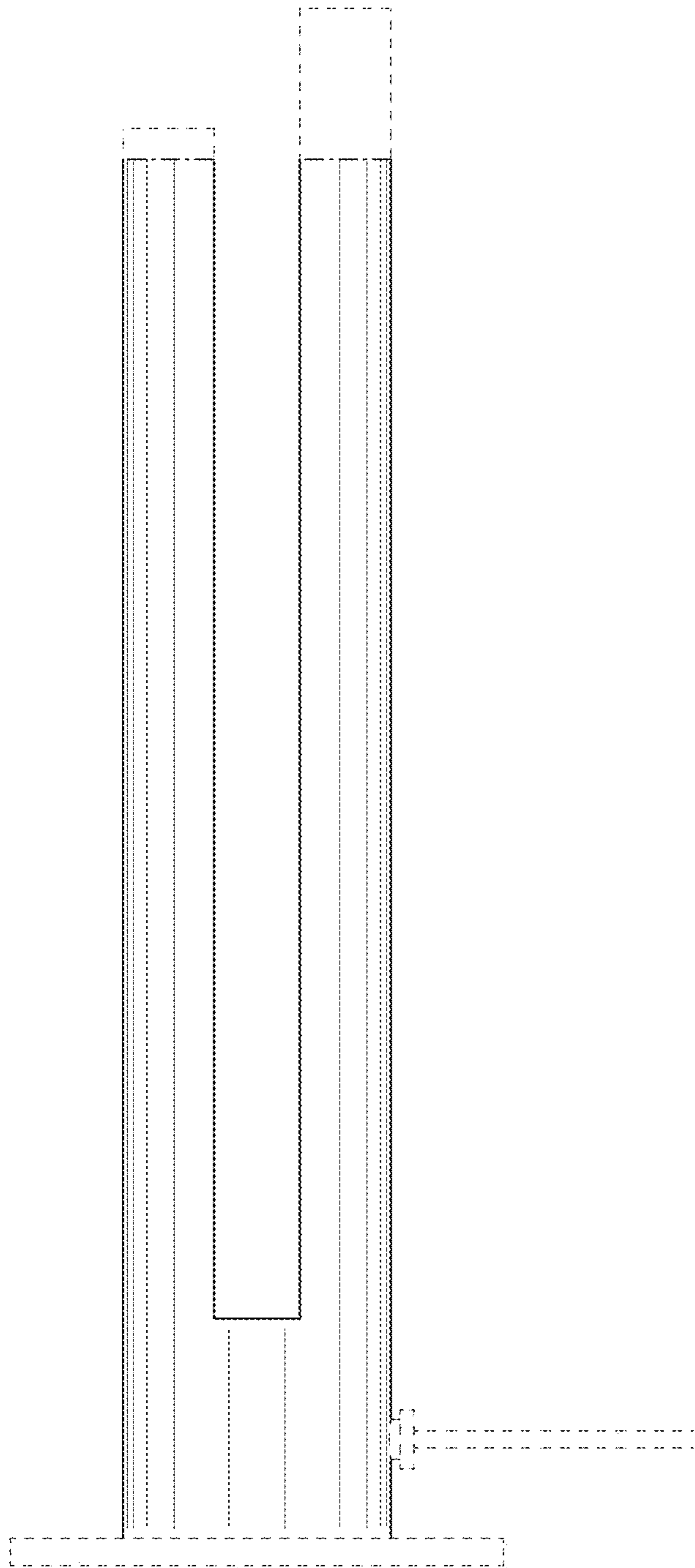


FIG. 25

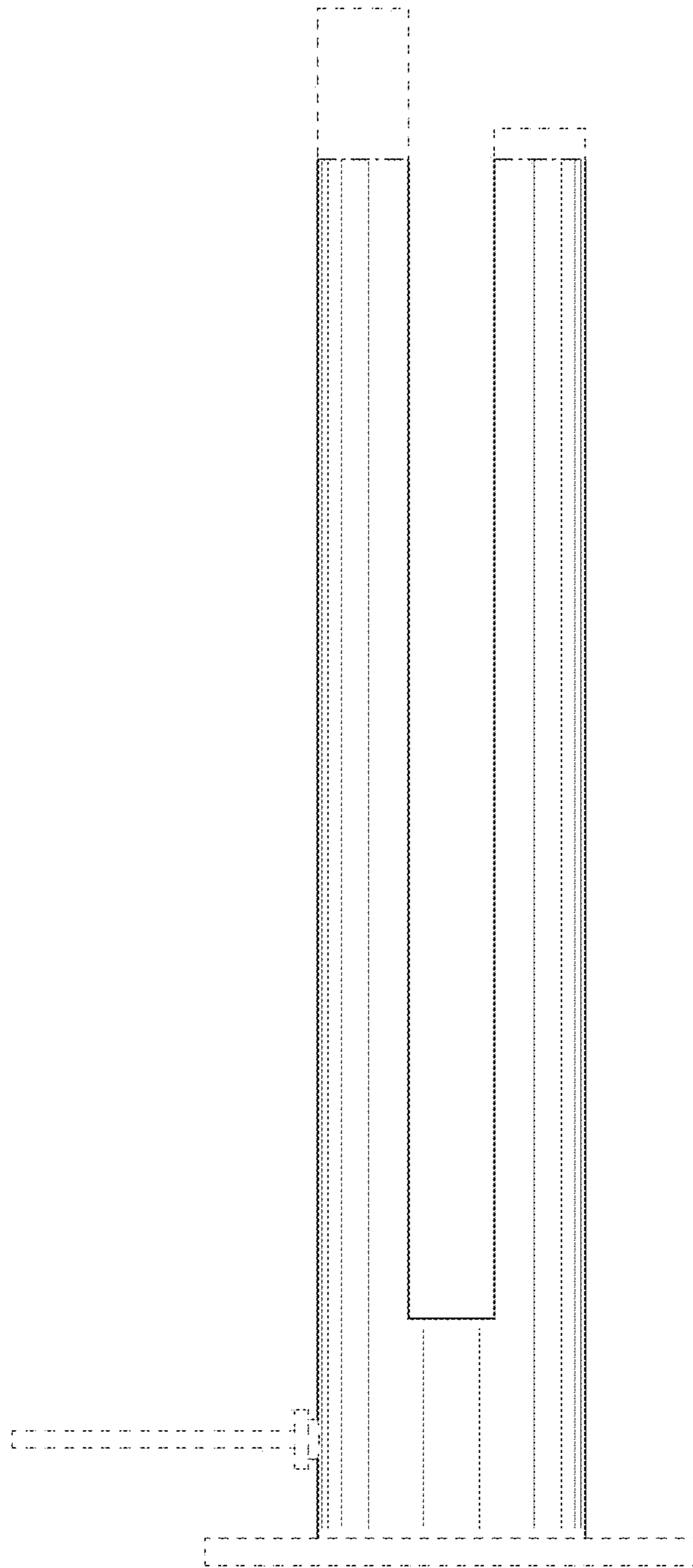


FIG. 26

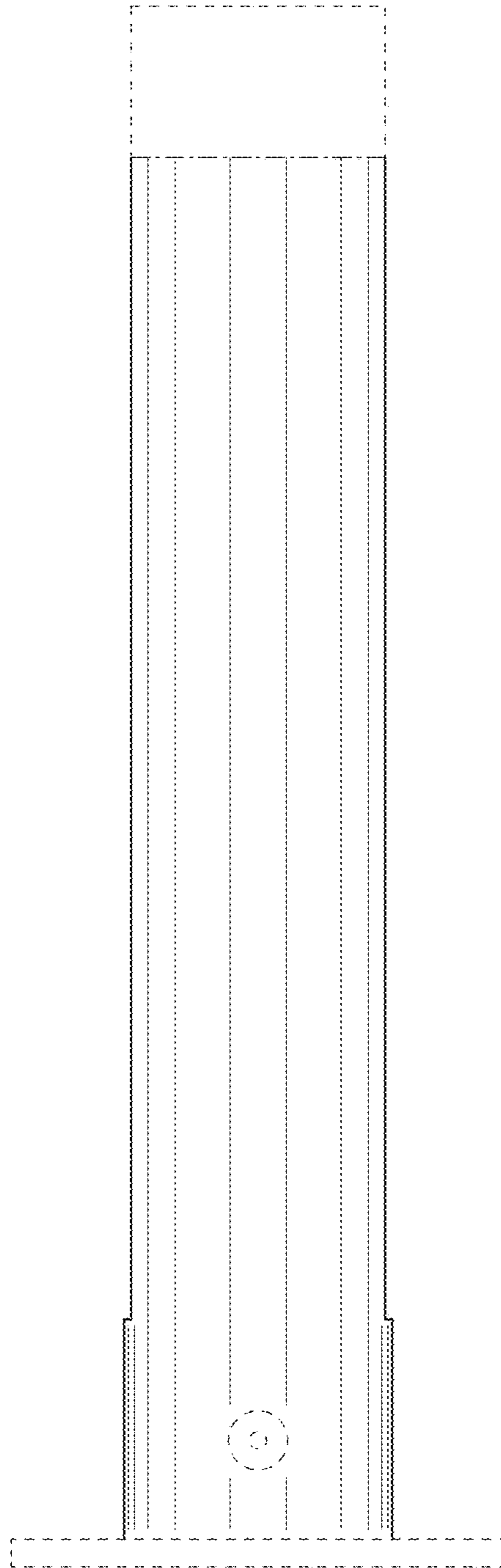


FIG. 27

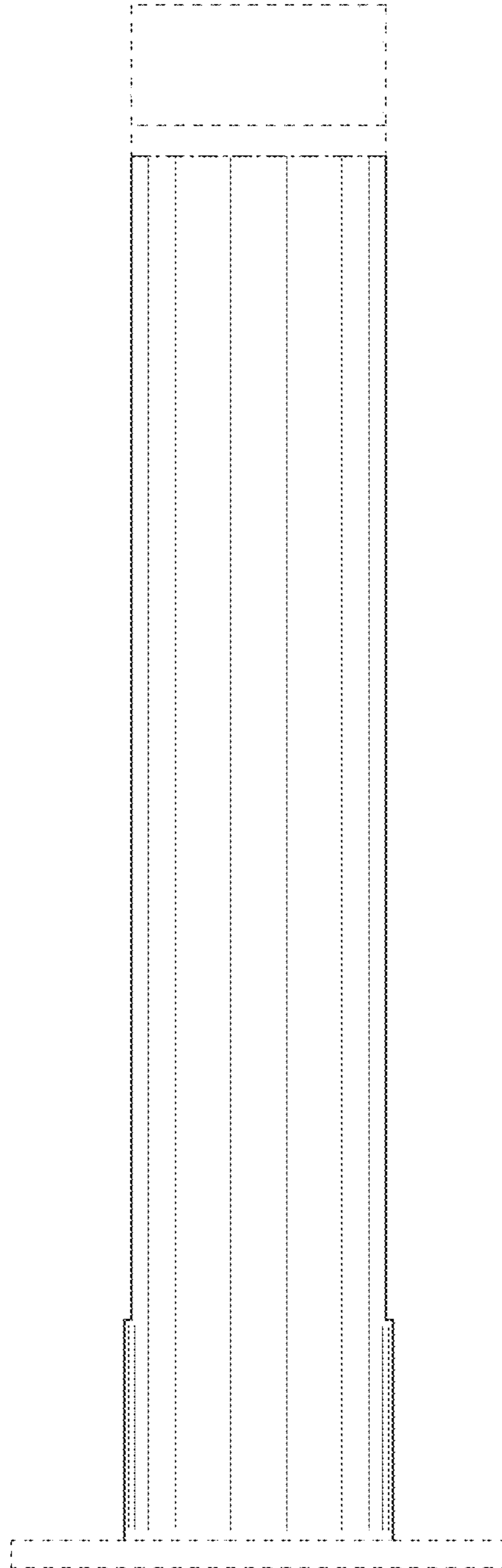


FIG. 28

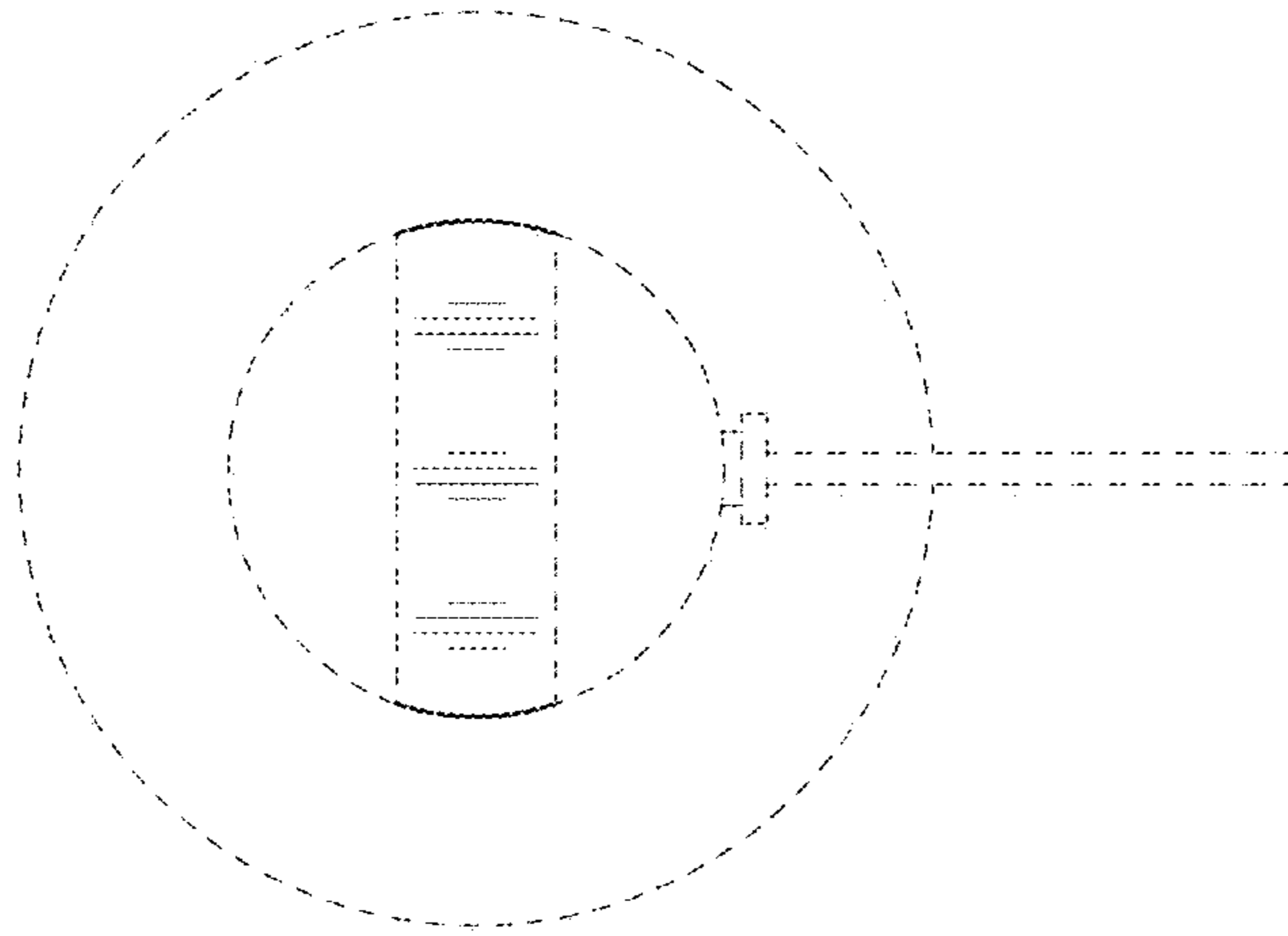


FIG. 29

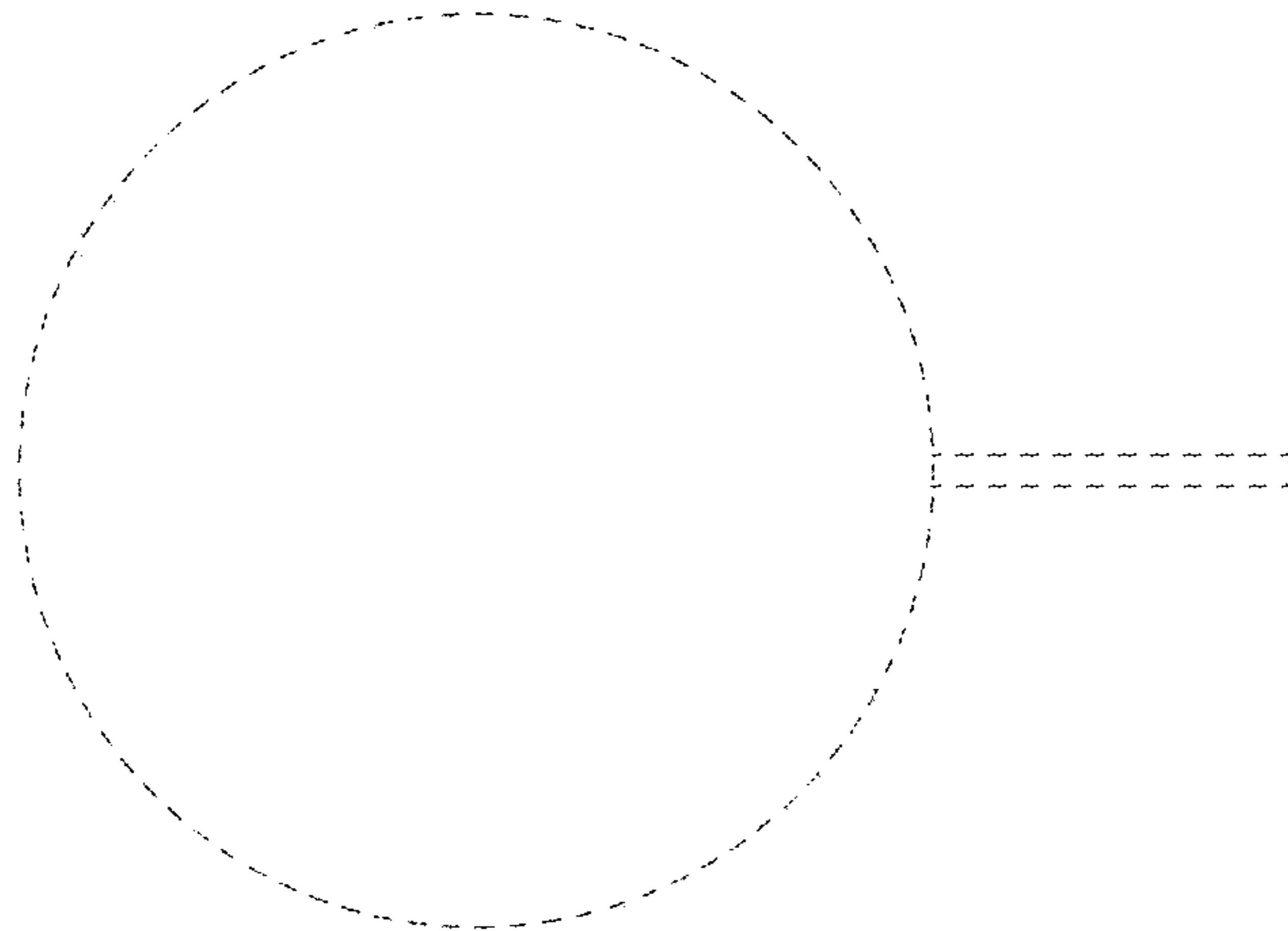


FIG. 30