



US00D879354S

(12) **United States Design Patent**
Lin

(10) **Patent No.:** **US D879,354 S**
(45) **Date of Patent:** **** Mar. 24, 2020**

(54) **LIGHT**

- (71) Applicant: **ZHANJIANG XUMAO TRADING CO., LTD**, Zhanjiang (CN)
- (72) Inventor: **Qiuqiang Lin**, Zhanjiang (CN)
- (73) Assignee: **ZHANJIANG XUMAO TRADING CO., LTD**, Zhanjiang (CN)
- (**) Term: **15 Years**
- (21) Appl. No.: **29/711,608**
- (22) Filed: **Nov. 1, 2019**
- (51) **LOC (12) Cl.** **26-03**
- (52) **U.S. Cl.**
USPC **D26/87; D26/86**
- (58) **Field of Classification Search**
USPC **D26/72, 80, 85, 86, 87, 92, 155**
CPC .. **F21S 8/033; F21S 8/035; F21S 8/036; F21S 8/046**
See application file for complete search history.

(56) **References Cited**

U.S. PATENT DOCUMENTS

D74,305 S *	1/1928	Horni	D26/87
D153,987 S *	5/1949	Silberhartz	D26/87
D261,436 S	10/1981	Palka et al.		
5,541,819 A *	7/1996	Kwong	F21S 2/005 362/147
D464,458 S *	10/2002	Lee	D26/80
D464,758 S *	10/2002	Lee	D26/80
D611,636 S	3/2010	Sabernig		
D720,490 S *	12/2014	Bahler	D26/87
D816,881 S *	5/2018	Qiao	D26/86
D816,882 S *	5/2018	Qiao	D26/86
D863,595 S	10/2019	Liao et al.		
D869,730 S *	12/2019	Lin	D26/80

OTHER PUBLICATIONS

- Presde Bathroom Vanity Light Fixtures, Over Mirror Modern LED 4 Lights Chrome Bath Mirror Lighting sold at amazon.com Jul. 27, 2019. (Year: 2019).*
- Ralbay Modern Vanity Light Fixtures 4 Lights LED Modern Vanity Light Bathroom Fixtures Over Mirror LED Modern sold at amazon.com Nov. 12, 2019. (Year: 2019).*
- Solfart 4-Light Bathroom Light sold at amazon.com Jul. 27, 2018. (Year: 2018).*
- Blocs wall sconce model No. E22033-18 from the ET2 2007 Catalog, 2nd Edition. (Year: 2007).*

* cited by examiner

Primary Examiner — Clare E Heflin

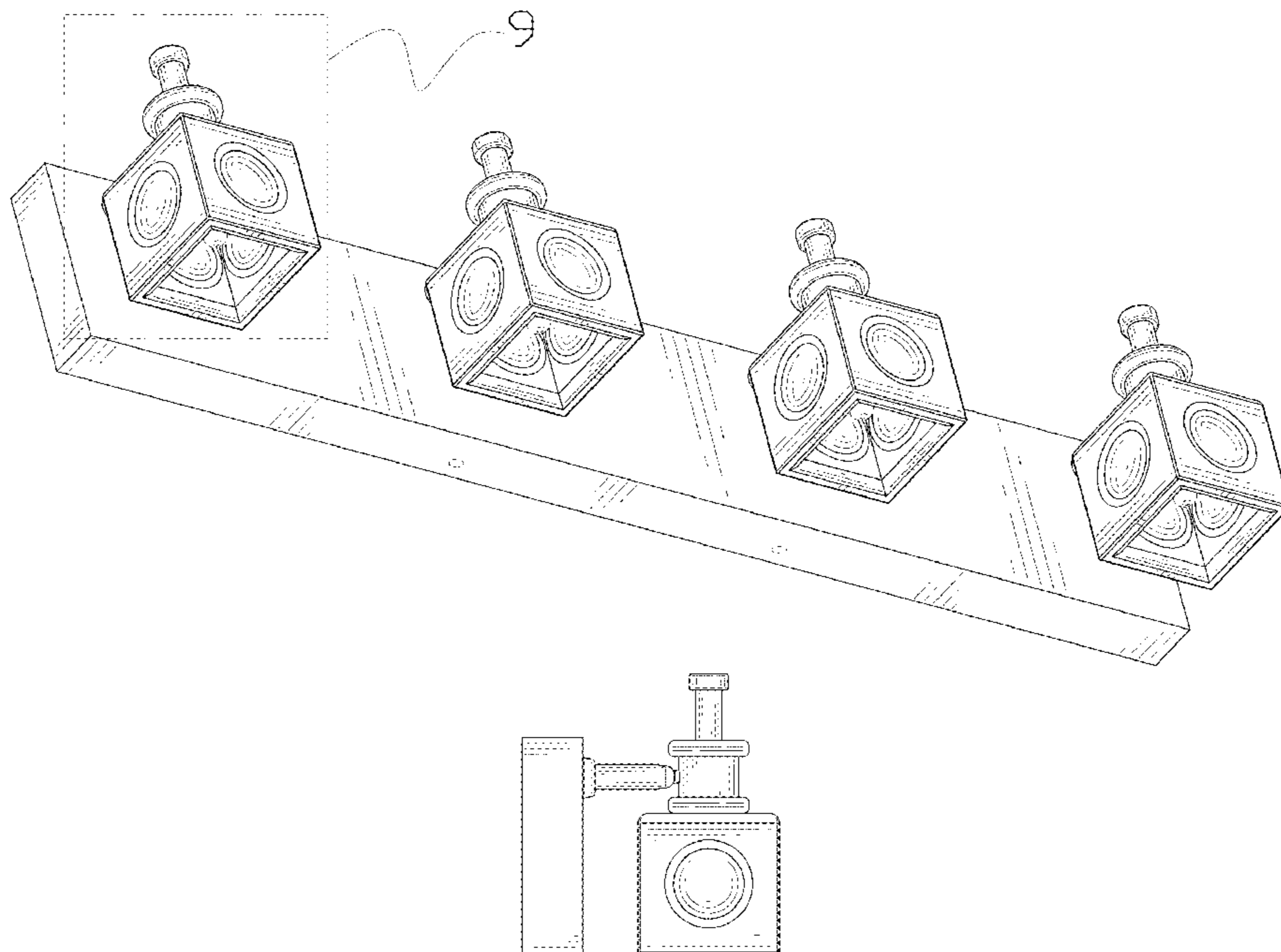
(57) **CLAIM**

The ornamental design for a light, as shown and described.

DESCRIPTION

FIG. 1 is a perspective view of a light showing my new design;
 FIG. 2 is another perspective view thereof;
 FIG. 3 is a front elevational view thereof;
 FIG. 4 is a rear elevational view thereof;
 FIG. 5 is a left side elevational view thereof;
 FIG. 6 is a right side elevational view thereof;
 FIG. 7 is a top plan view thereof;
 FIG. 8 is a bottom plan view thereof;
 FIG. 9 is an enlarged view of portion 9 shown in FIG. 1; and,
 FIG. 10 is an enlarged view of portion 10 shown in FIG. 2.
 The broken lines in the drawings depict portions of the light that form no part of the claimed design.

1 Claim, 10 Drawing Sheets



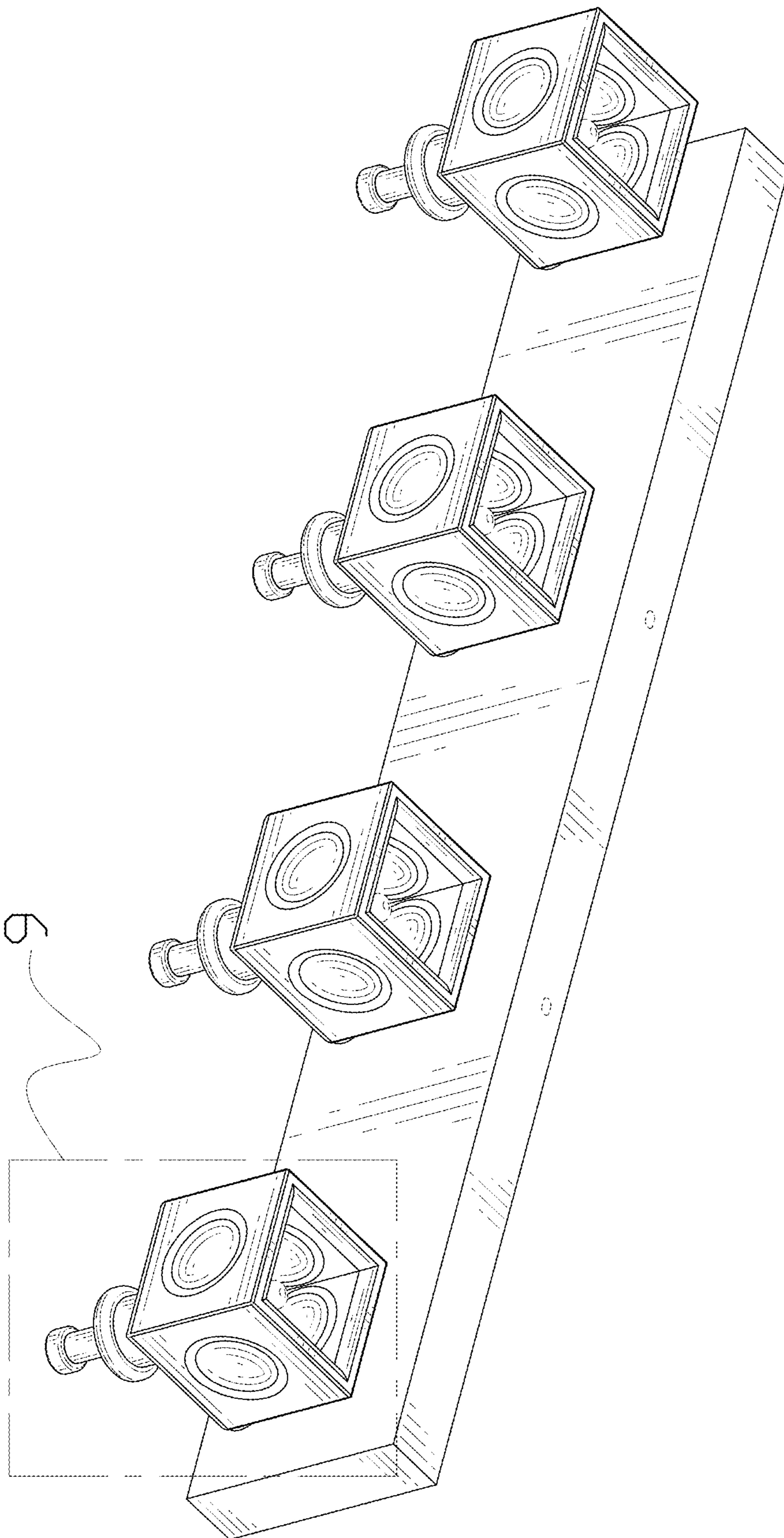


FIG. 1

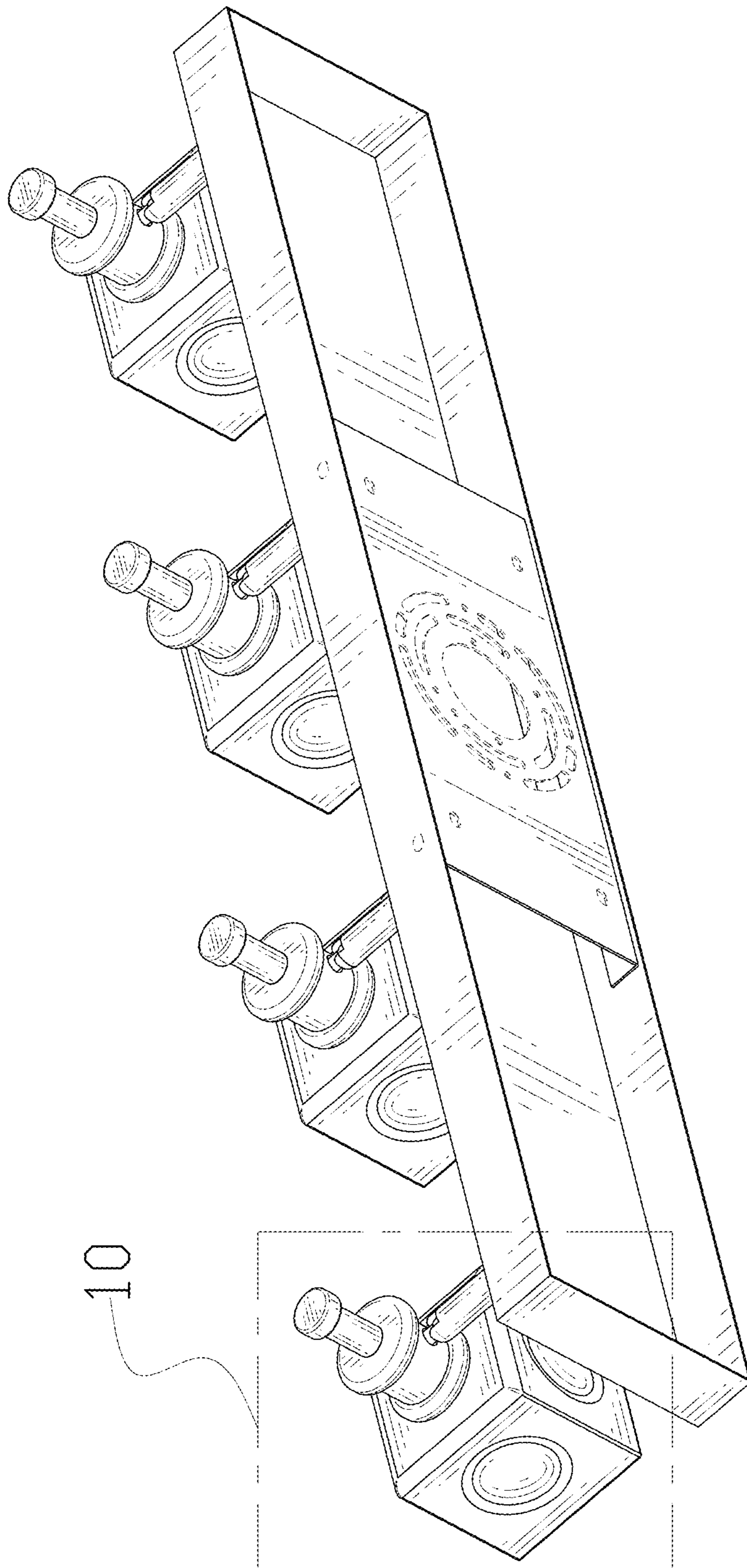


FIG. 2

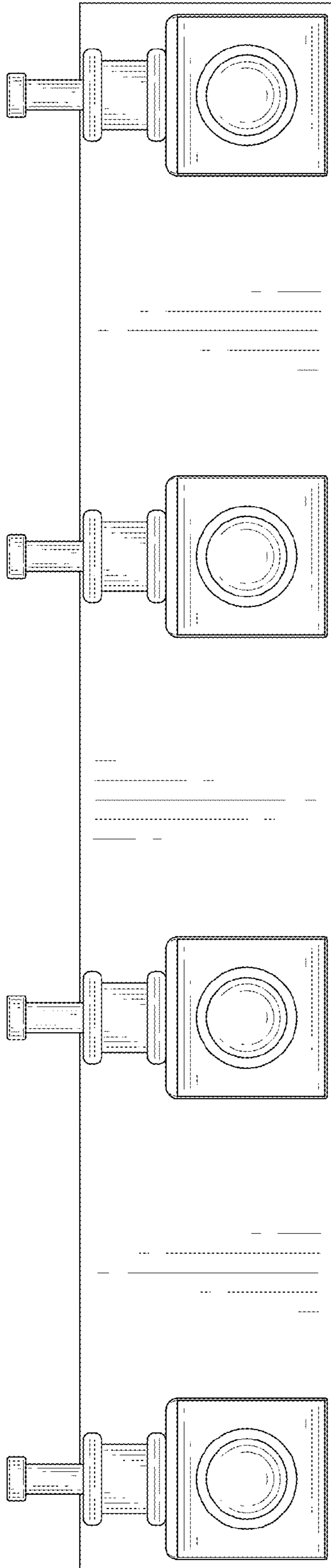


FIG. 3

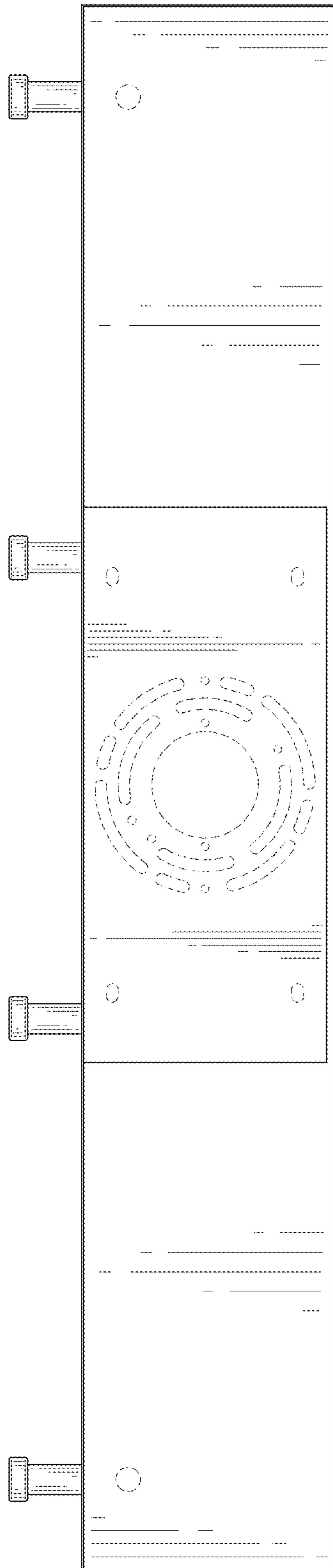


FIG. 4

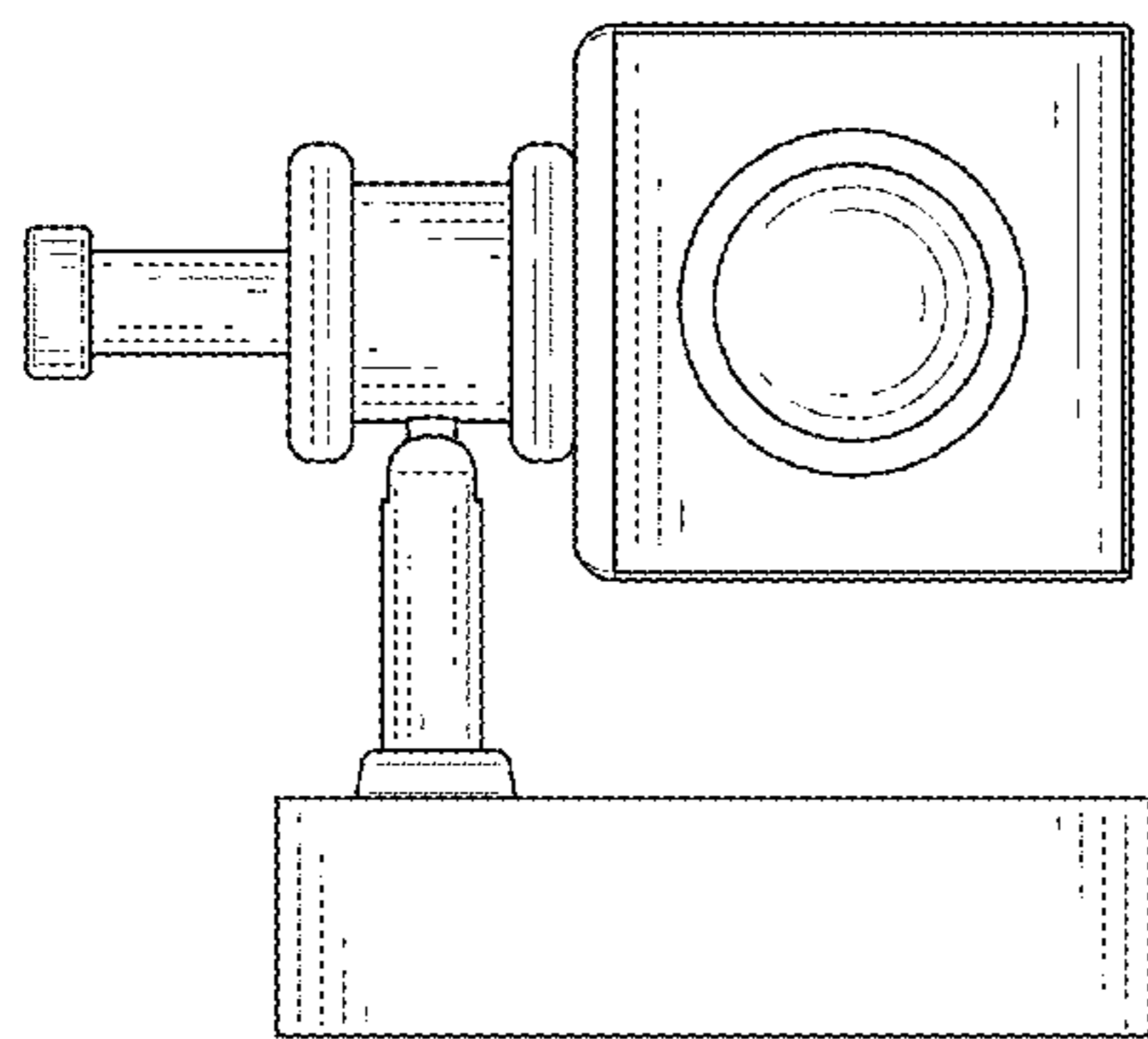


FIG. 5

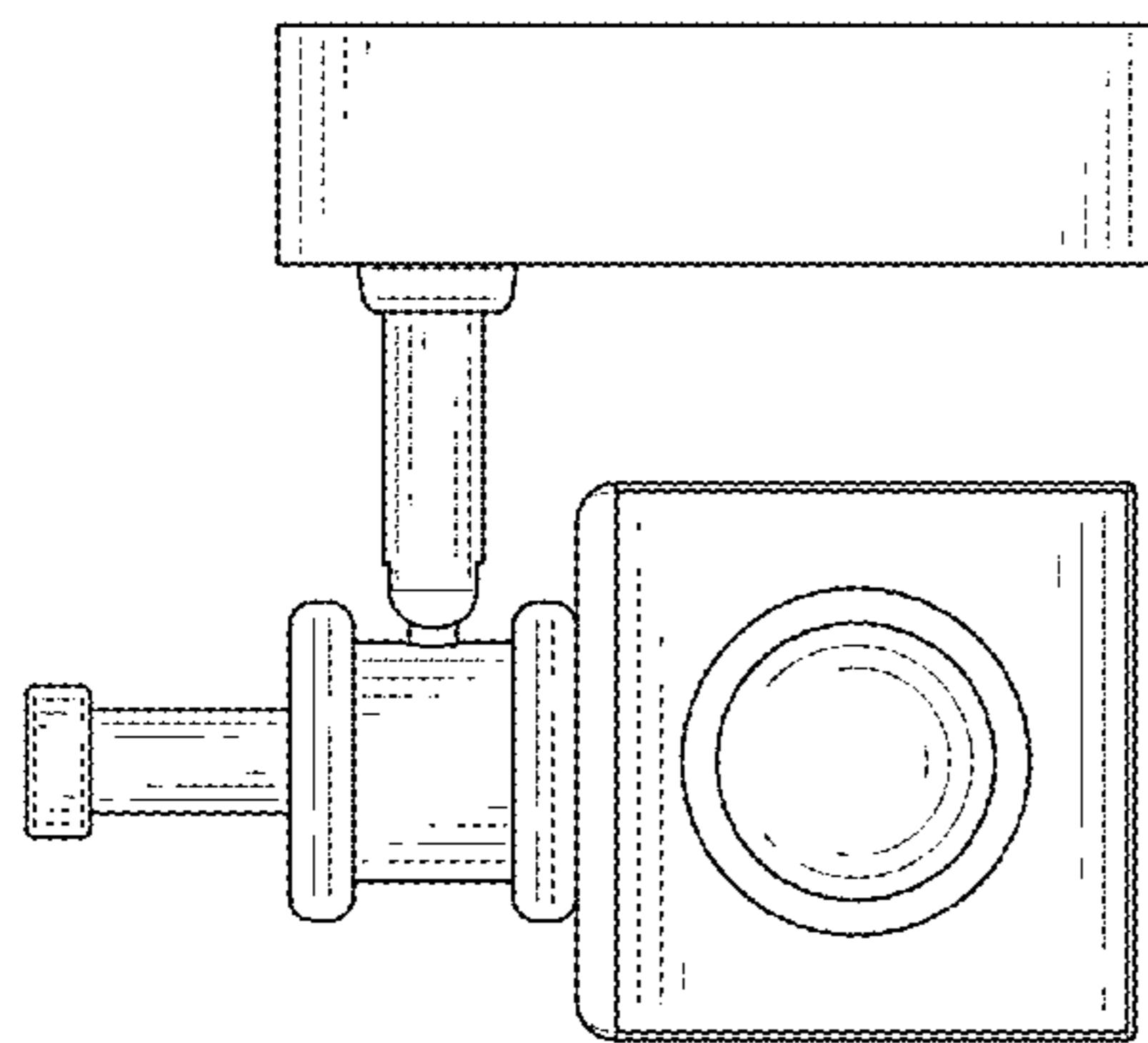


FIG. 6

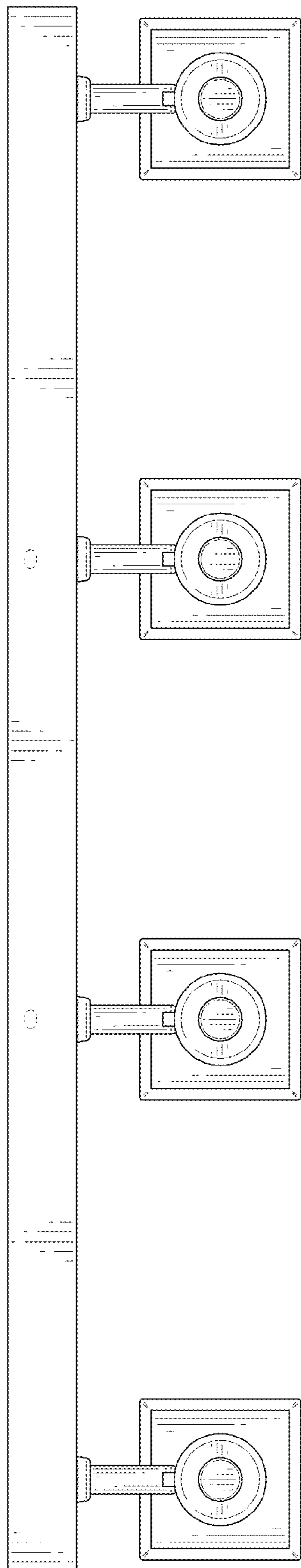


FIG. 7

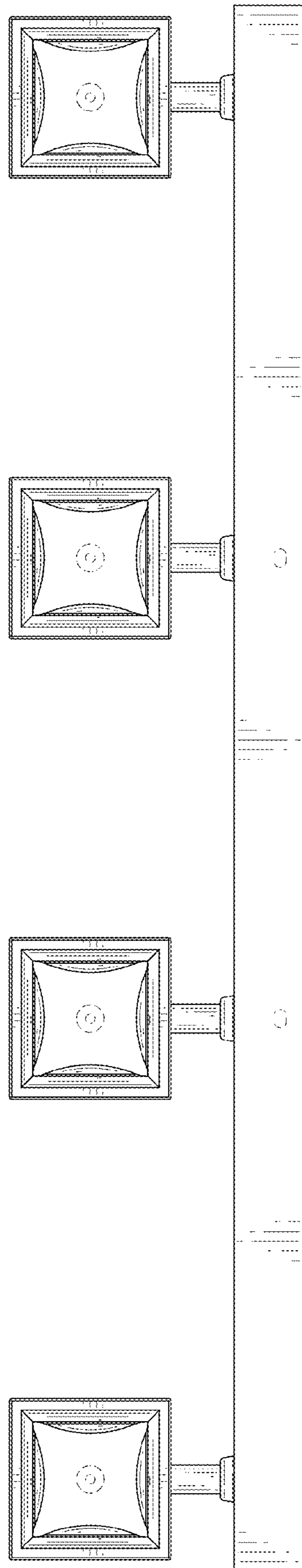


FIG. 8

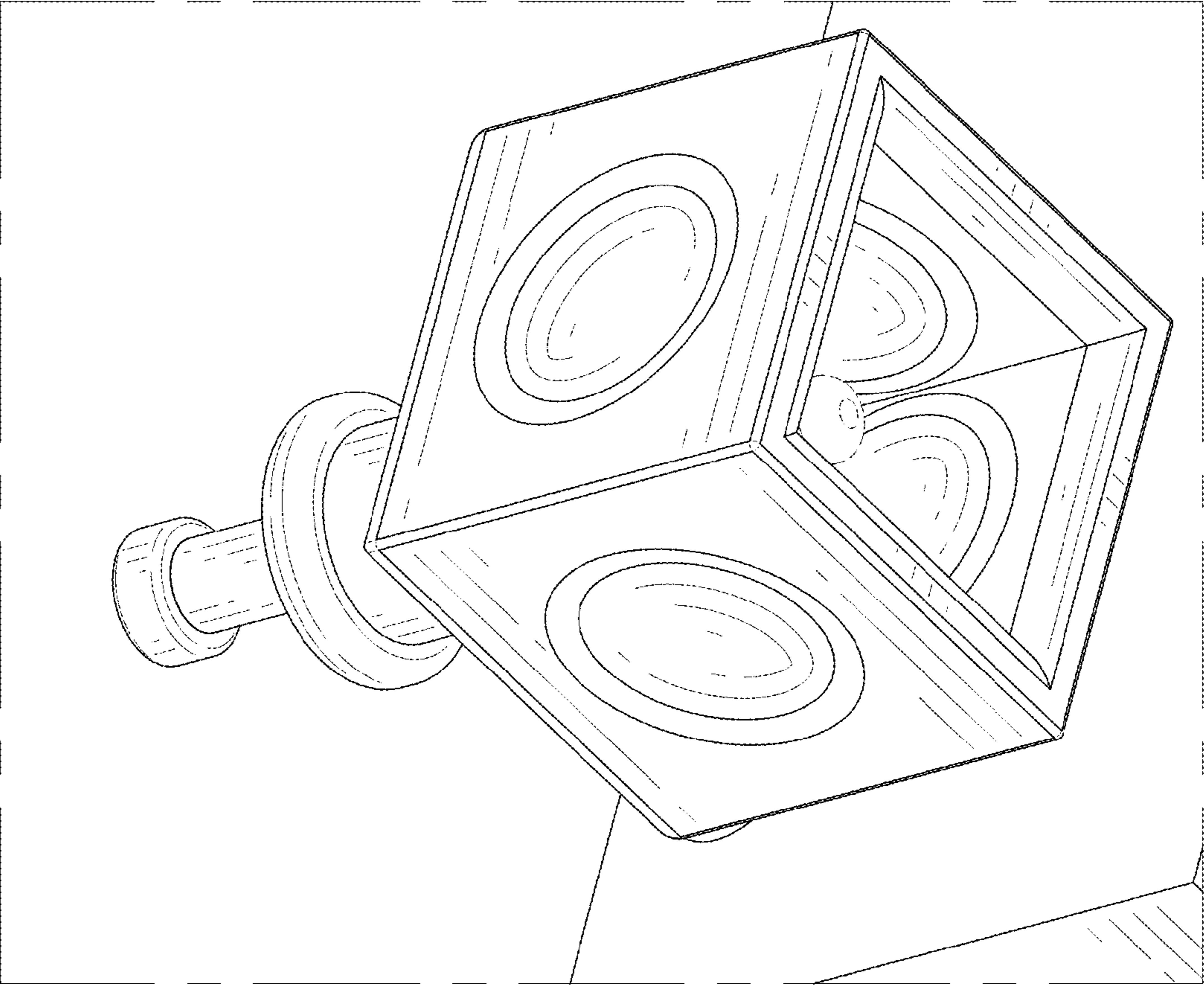


FIG. 9

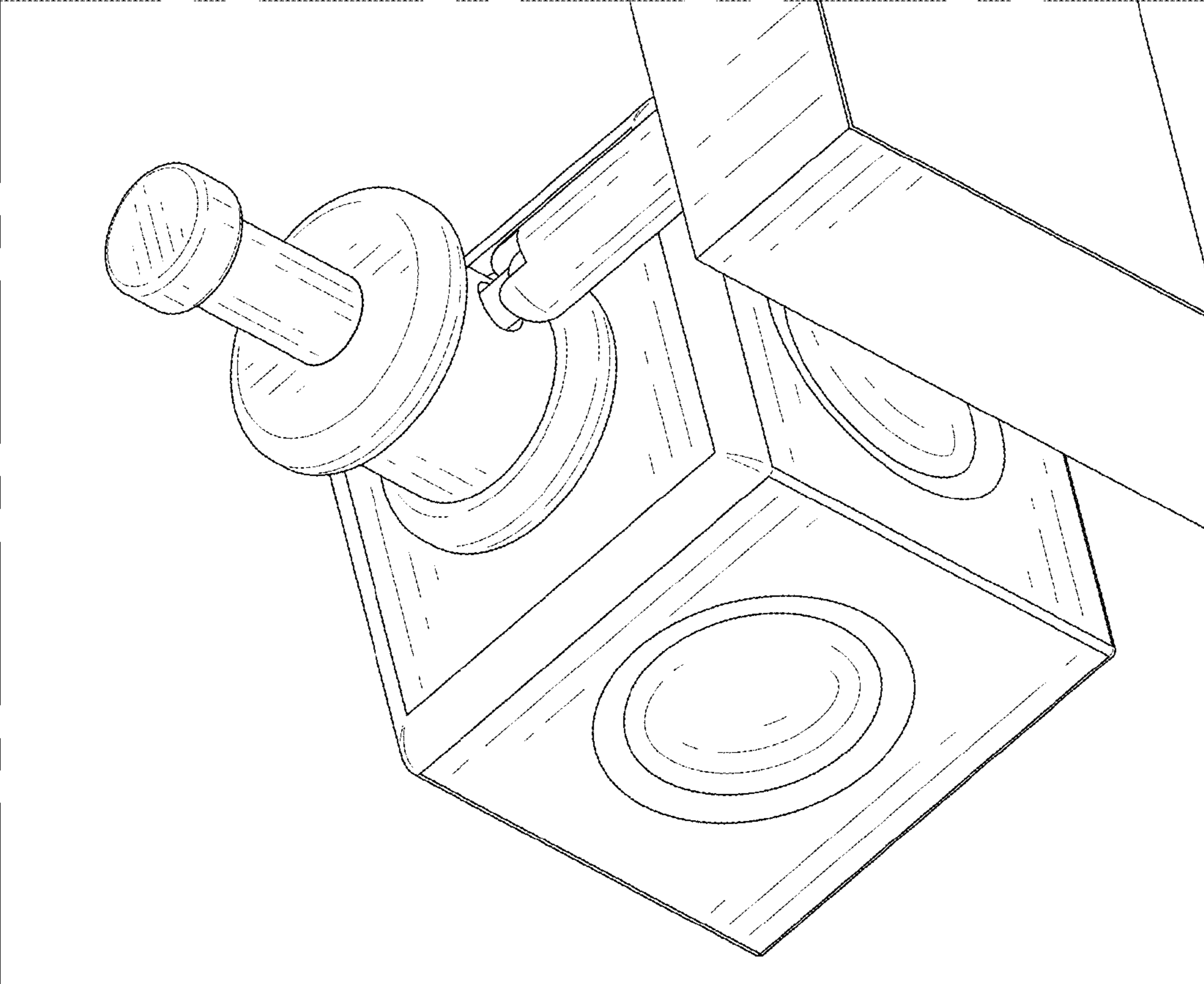


FIG. 10