



US00D879351S

(12) **United States Design Patent**
Deng

(10) **Patent No.:** **US D879,351 S**

(45) **Date of Patent:** **** Mar. 24, 2020**

(54) **EXPLOSION PROOF LIGHT**

(71) Applicant: **DONGGUAN PAN AMERICAN ELECTRONICS CO., LTD,**
DongGuan, GuangDong (CN)

(72) Inventor: **Jinsheng Deng,** DongGuan (CN)

(73) Assignee: **DONGGUAN PAN AMERICAN ELECTRONICS CO., LTD,** Dongguan (CN)

(**) Term: **15 Years**

(21) Appl. No.: **29/660,900**

(22) Filed: **Aug. 23, 2018**

(30) **Foreign Application Priority Data**

May 30, 2018 (CN) 2018 3 0263474

(51) **LOC (12) Cl.** **26-05**

(52) **U.S. Cl.**
USPC **D26/72**

(58) **Field of Classification Search**
USPC D26/63, 72, 80, 83, 85, 88, 89, 118
CPC F21S 8/03; F21S 8/033; F21S 8/036; F21S 8/04; F21S 8/043; F21S 8/06; F21S 8/061; F21S 8/063; F21S 8/086; F21W 2121/1005; F21W 2121/402; F21W 2121/409; F21V 29/76; F21V 29/77; F21V 29/777; F21V 29/78; F21V 21/008; F21V 21/26

See application file for complete search history.

(56) **References Cited**

U.S. PATENT DOCUMENTS

D48,607 S * 2/1916 Retherford D26/88
D81,582 S * 7/1930 Gosling D26/89
D92,702 S * 7/1934 Cowan D26/89
6,095,665 A * 8/2000 Drake F16M 13/02
362/276

D830,622 S * 10/2018 Galekop D26/118
D832,491 S * 10/2018 Murphy D26/118
D832,492 S * 10/2018 Murphy D26/118
D832,493 S * 10/2018 Murphy D26/118
2009/0073697 A1* 3/2009 Peck F21V 3/02
362/296.05
2014/0268885 A1* 9/2014 Randolph F21V 3/049
362/650
2016/0252240 A1* 9/2016 Lee F21V 29/51
362/373

OTHER PUBLICATIONS

Dark Grey Cast Aluminium Explosion Proof Lamp reference No. LU3793311161111. Manufactured in the 1960s. Offered at 1stdibs.com, visited Dec. 10, 2019. (Year: 1969).*

British Made Aluminium and Glass Explosion Proof Victor Pendant Lamp, reference No. LU2237310306643. Manufactured in the 1980s. Offered at 1stdibs.com, visited Dec. 10, 2019. (Year: 1989).*

* cited by examiner

Primary Examiner — Clare E Heflin

(74) *Attorney, Agent, or Firm* — Ladas & Parry LLP

(57) **CLAIM**

The ornamental design for an explosion proof light, as shown and described.

DESCRIPTION

FIG. 1 is a front elevational view of an explosion proof light showing my new design;

FIG. 2 is a rear elevational view thereof;

FIG. 3 is a left side elevational view thereof;

FIG. 4 is a right side elevational view thereof;

FIG. 5 is a top plan view thereof; and

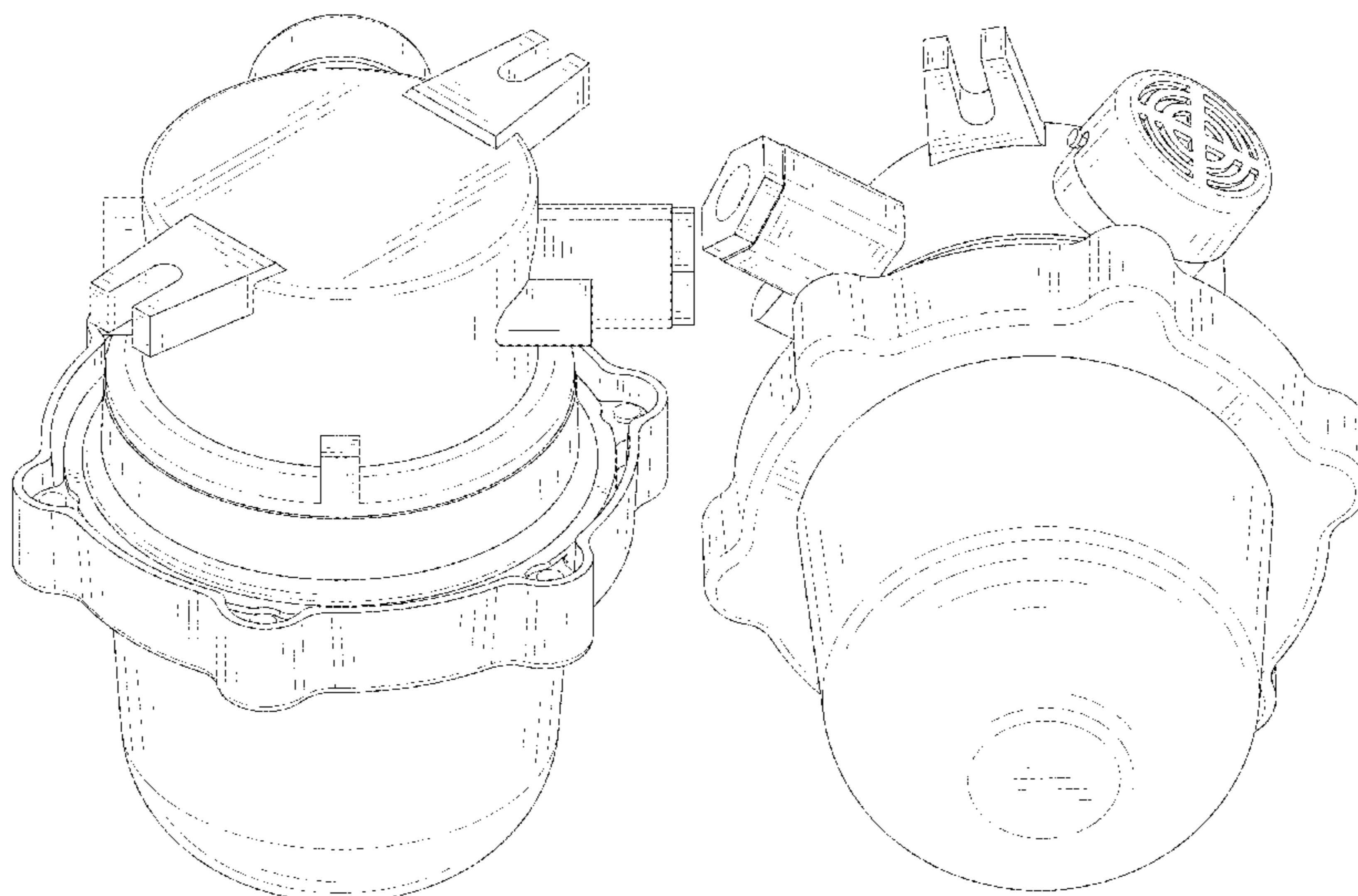
FIG. 6 is a bottom plan view thereof;

FIG. 7 is front, top, right perspective view thereof; and,

FIG. 8 is a rear, bottom, left perspective view thereof.

The broken lines in the figures are included for the purpose of illustrating portions of the article which form no part of the claimed design.

1 Claim, 8 Drawing Sheets



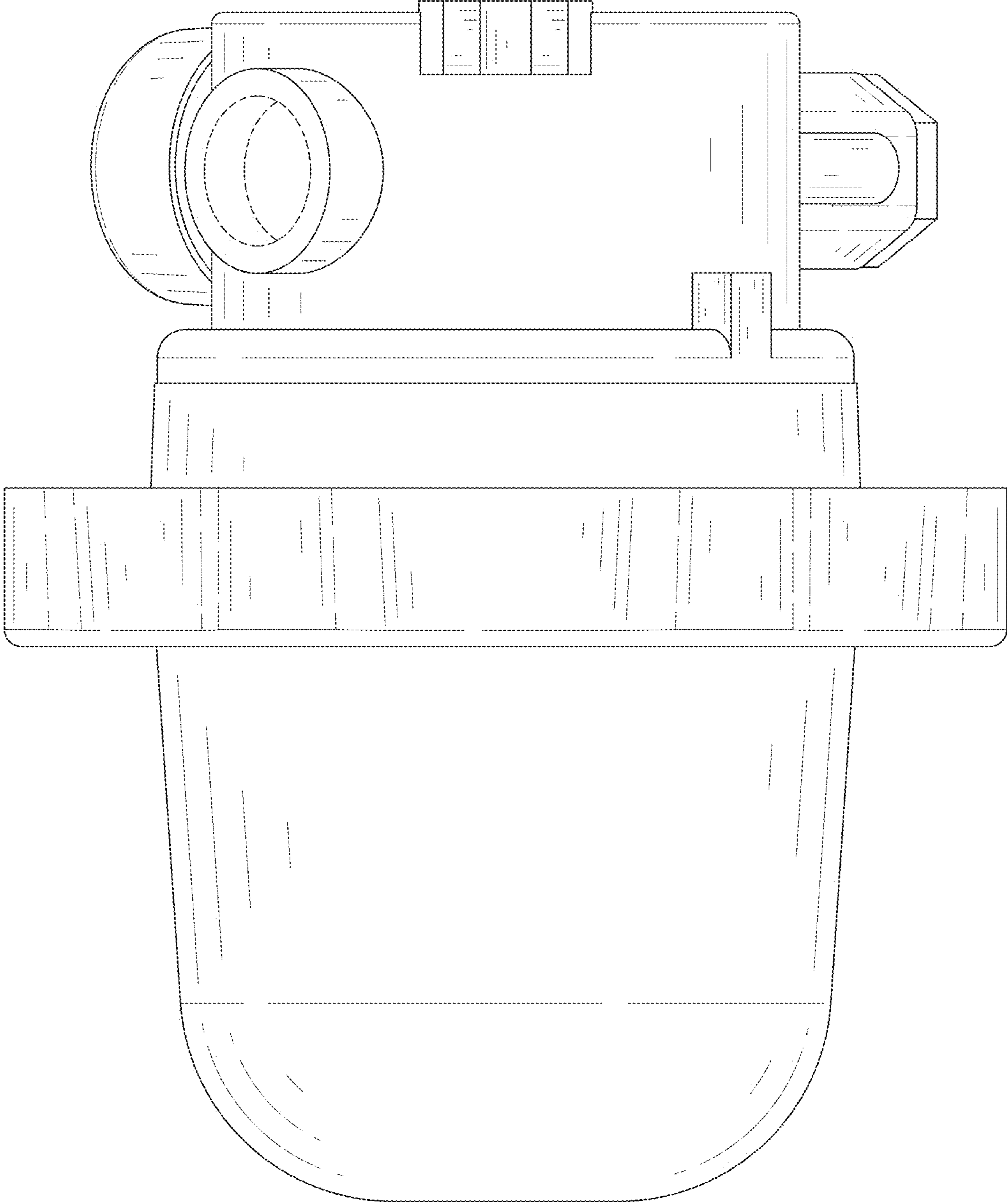


FIG. 1

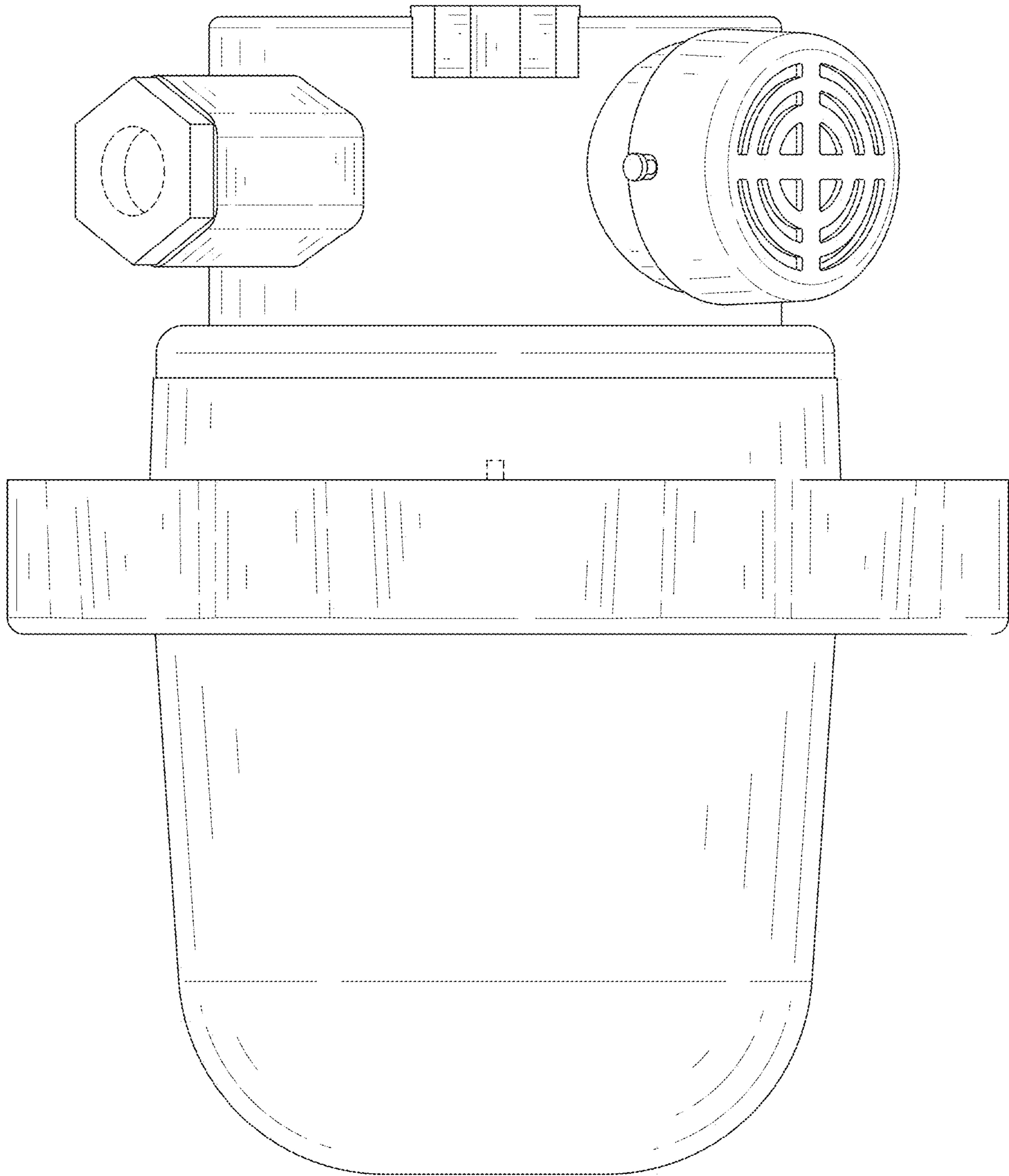


FIG. 2

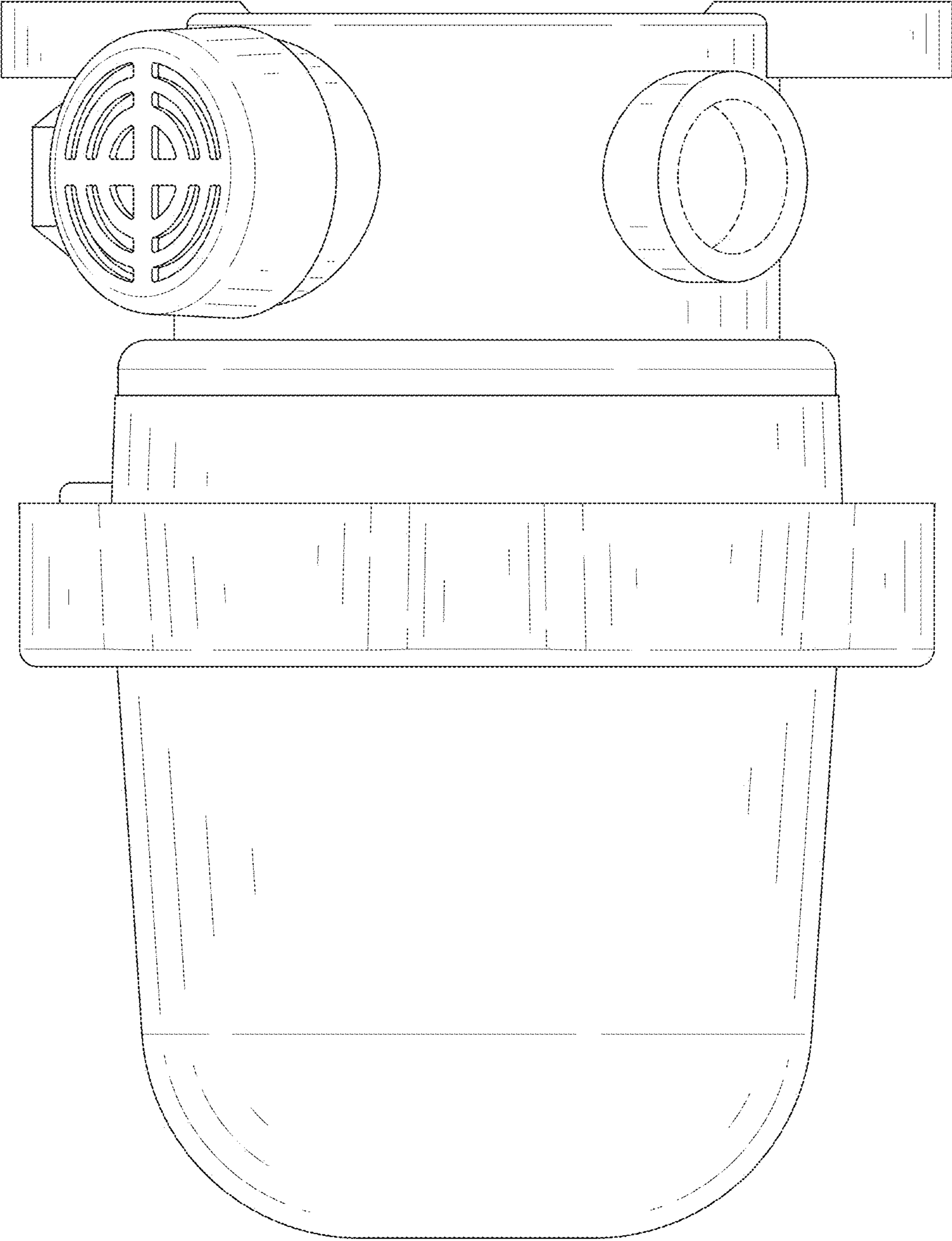


FIG. 3

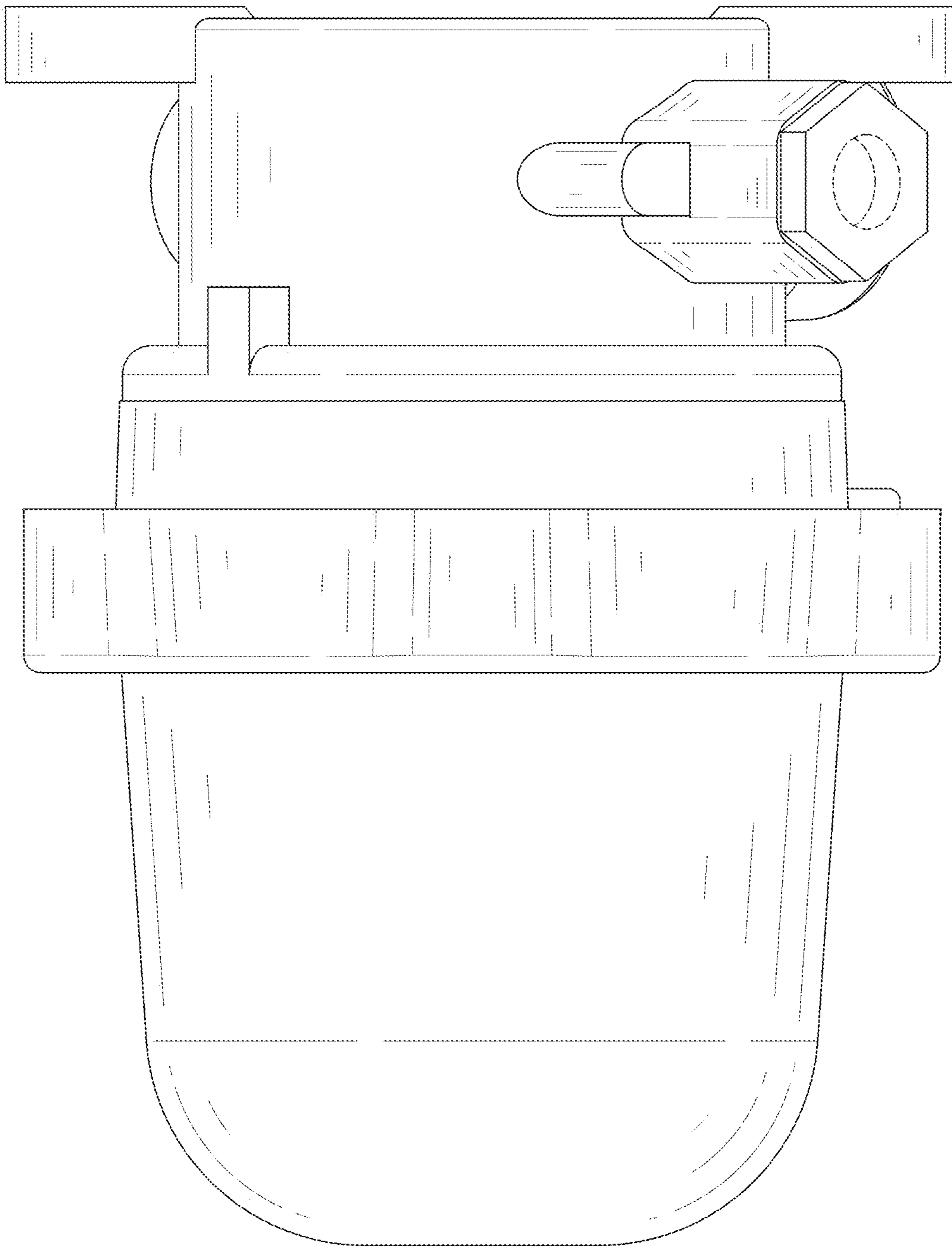


FIG. 4

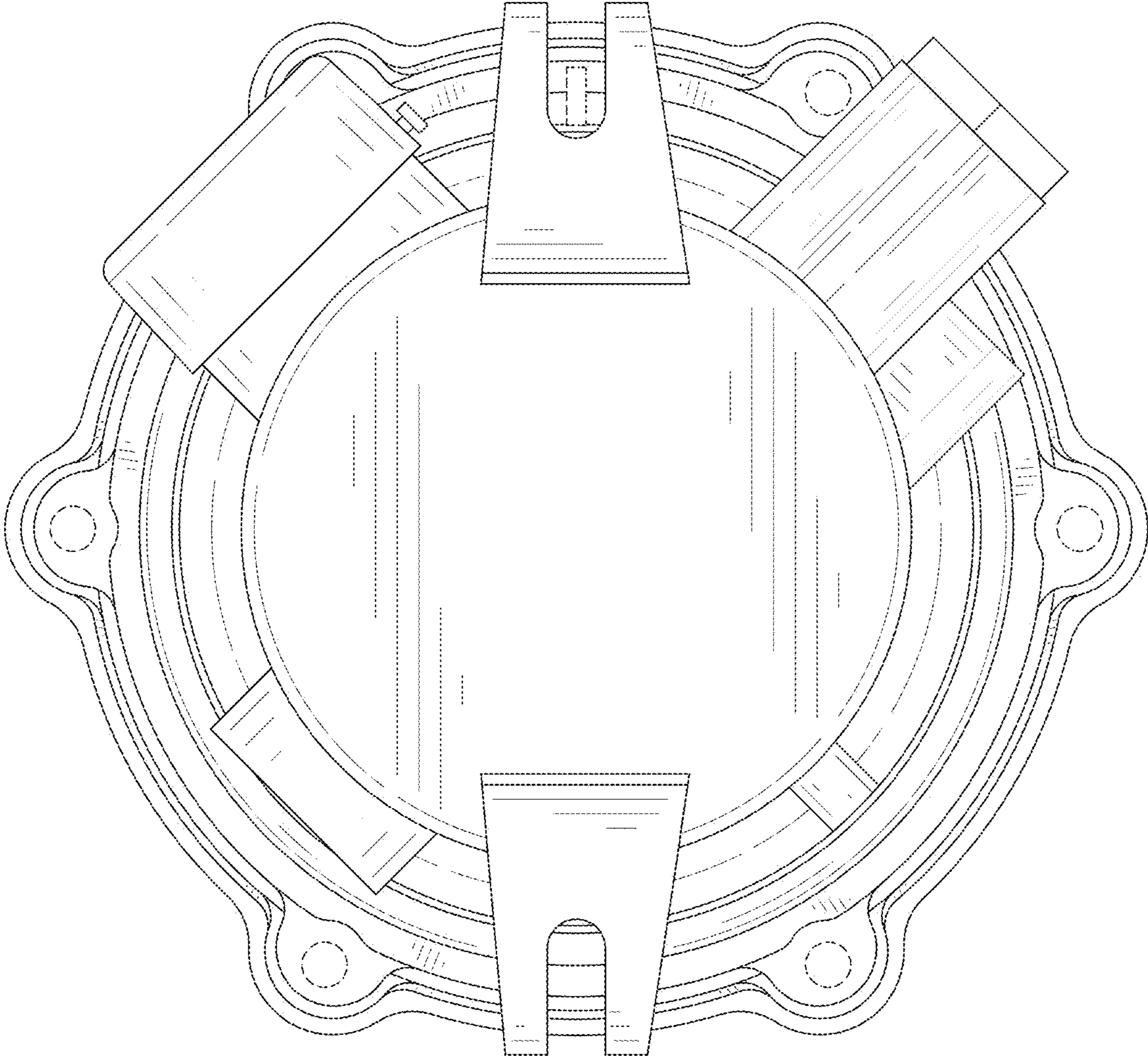


FIG. 5

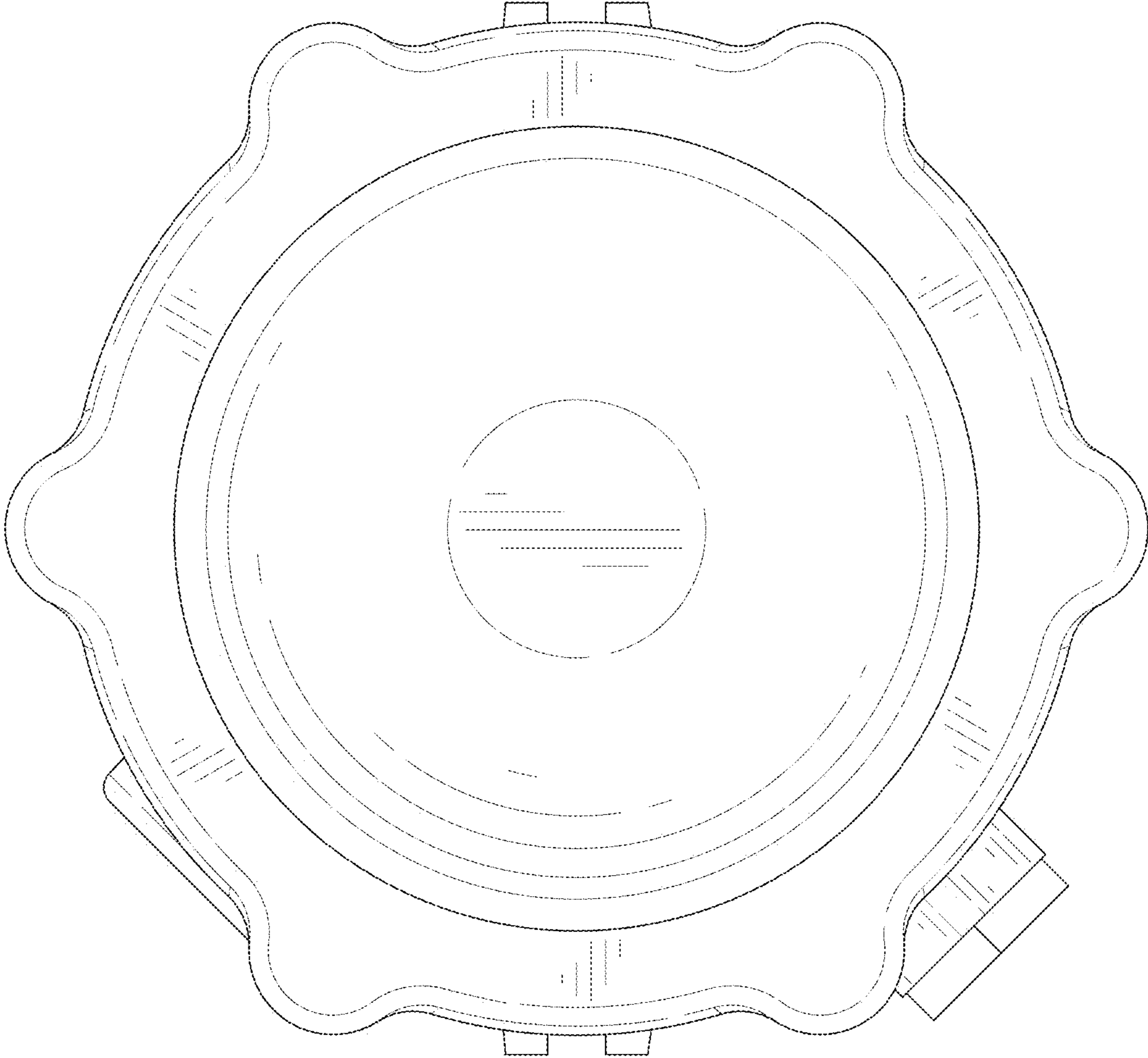


FIG. 6

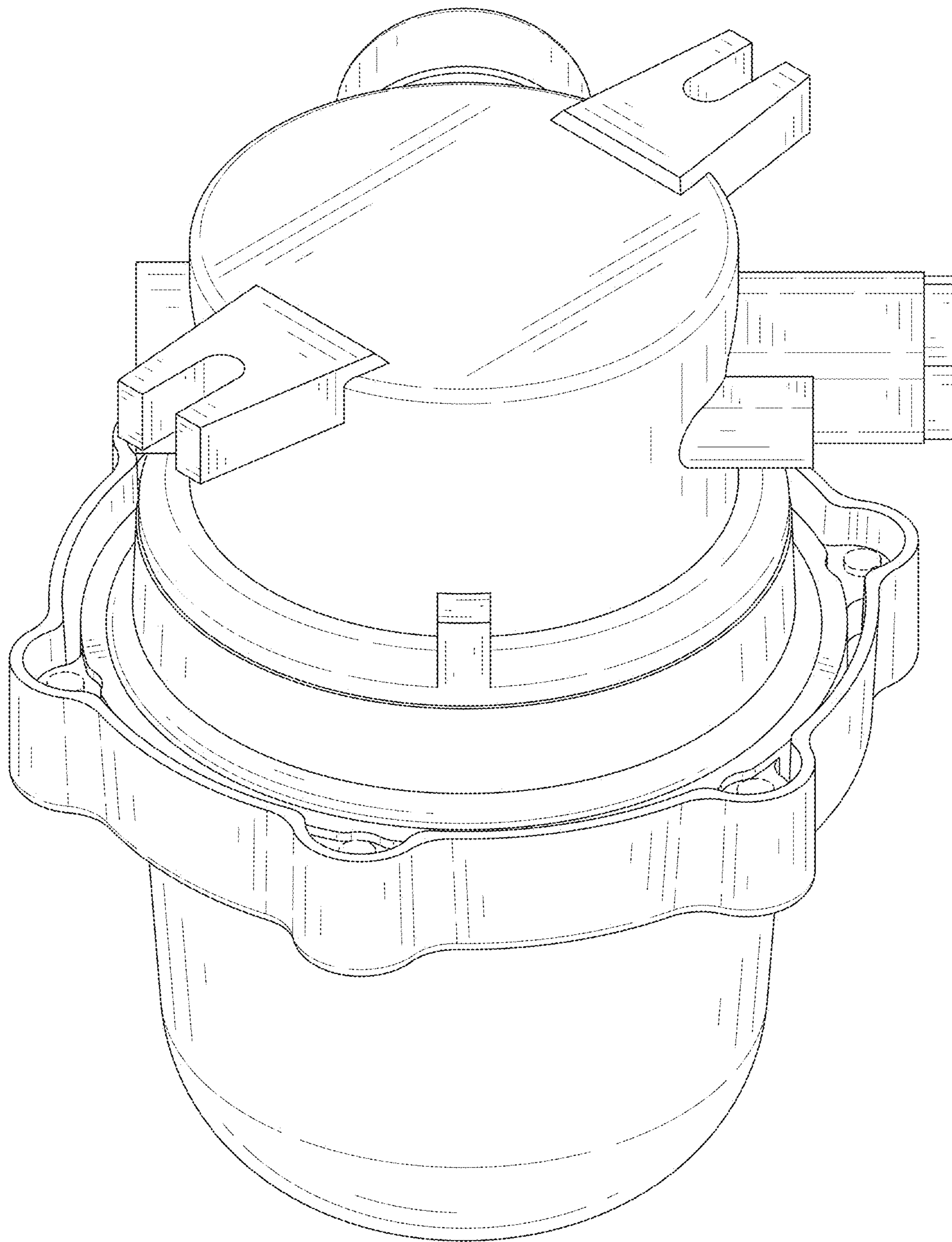


FIG. 7

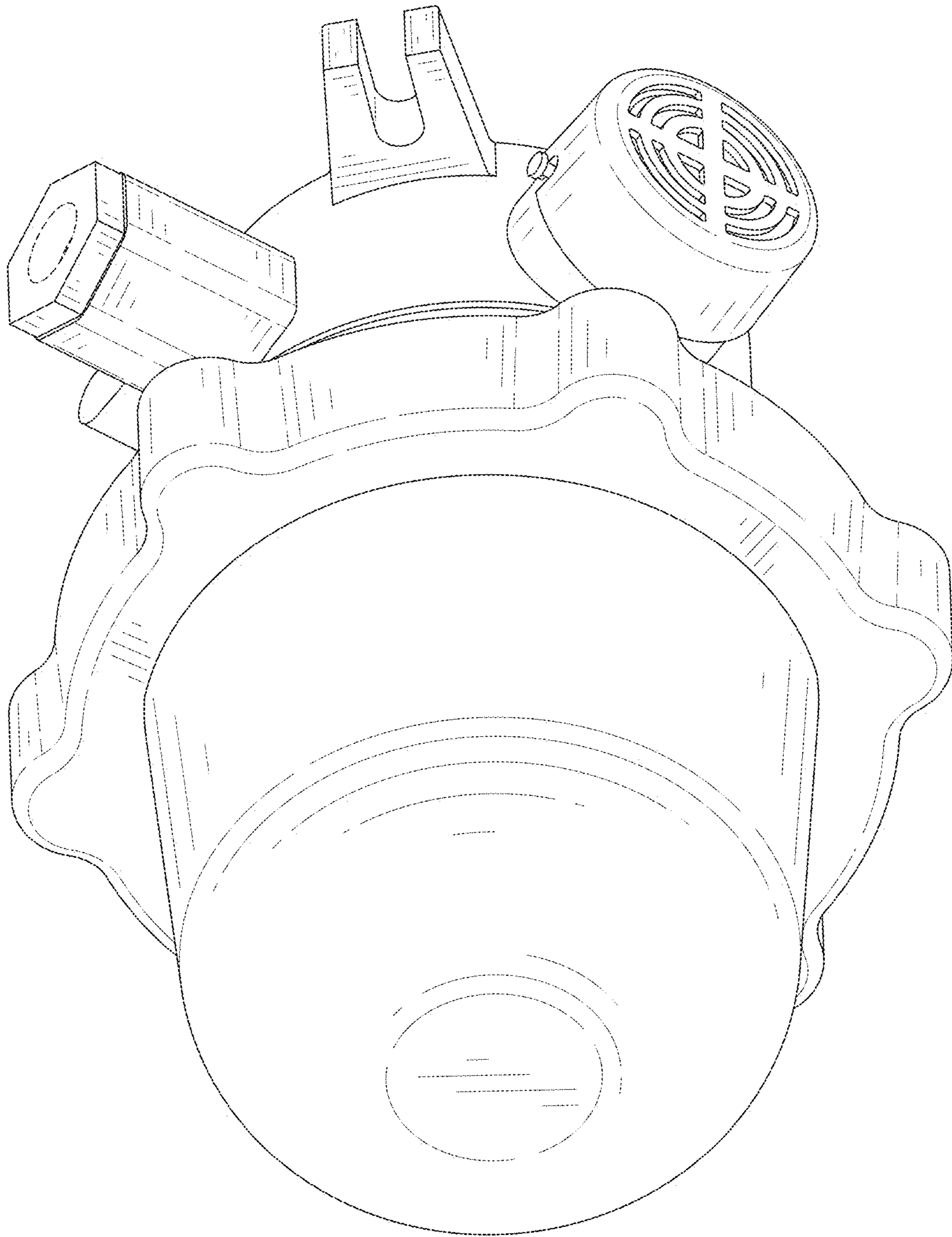


FIG. 8