



US00D879349S

(12) **United States Design Patent** (10) **Patent No.:** **US D879,349 S**
Li (45) **Date of Patent:** **** Mar. 24, 2020**

(54) **PLANT CULTIVATION LAMP**
(71) Applicant: **Yingfa Li**, Guangdong (CN)
(72) Inventor: **Yingfa Li**, Guangdong (CN)
(**) Term: **15 Years**
(21) Appl. No.: **29/706,245**
(22) Filed: **Sep. 19, 2019**
(51) **LOC (12) Cl.** **26-05**
(52) **U.S. Cl.**
USPC **D26/63; D26/83**
(58) **Field of Classification Search**
USPC D26/63, 72, 80, 83, 85, 88, 89, 118
CPC F21S 8/03; F21S 8/033; F21S 8/036; F21S
8/04; F21S 8/043; F21S 8/06; F21S
8/061; F21S 8/063; F21S 8/086; F21W
2121/1005; F21W 2121/402; F21W
2121/409; F21V 29/76; F21V 29/77;
F21V 29/777; F21V 29/78; F21V 21/008;
F21V 21/26
See application file for complete search history.

(56) **References Cited**
U.S. PATENT DOCUMENTS
D321,764 S * 11/1991 Von Klier D26/63
8,920,003 B2 * 12/2014 Cheng F21V 29/00
362/364
D762,904 S 8/2016 Schmitt
D855,854 S * 8/2019 Cao D26/63
D857,286 S * 8/2019 Cao D26/119
10,386,058 B1 * 8/2019 Cattoni F21V 5/048
D863,639 S * 10/2019 Roslonek D26/63
2013/0301267 A1 * 11/2013 Badley F21V 19/00
362/249.1
2015/0267876 A1 * 9/2015 Kim F21V 21/30
362/235

2015/0362156 A1 * 12/2015 Chien F21V 17/002
362/374
2017/0030566 A1 * 2/2017 Milam F21V 29/503
2017/0307204 A1 * 10/2017 Cattoni F21S 8/036
2019/0017682 A1 * 1/2019 Patil F21V 15/01

OTHER PUBLICATIONS

LED Garage Lights, 100W Deformable LED Garage Ceiling Lights sold by ZJOJO at amazon.com Jan. 9, 2019. (Year: 2019).*
TRiLIGHT Screw—In Motion Activated Ceiling Light by STKR Concepts sold at amazon.com Nov. 15, 2016. (Year: 2016).*
Motion Activated LED Garage Lights, 80W Deformable LED Garage Ceiling Lights with 3 Adjustable Wings sold by Tanaka Minori at amazon.com Oct. 3, 2019. (Year: 2019).*
LED Garage Lights, Deformable LED Garage Ceiling Lights sold by YUNROO at amazon.com Jun. 10, 2019. (Year: 2019).*

* cited by examiner

Primary Examiner — Clare E Heflin
(74) *Attorney, Agent, or Firm* — Jie Yang; ZanIP

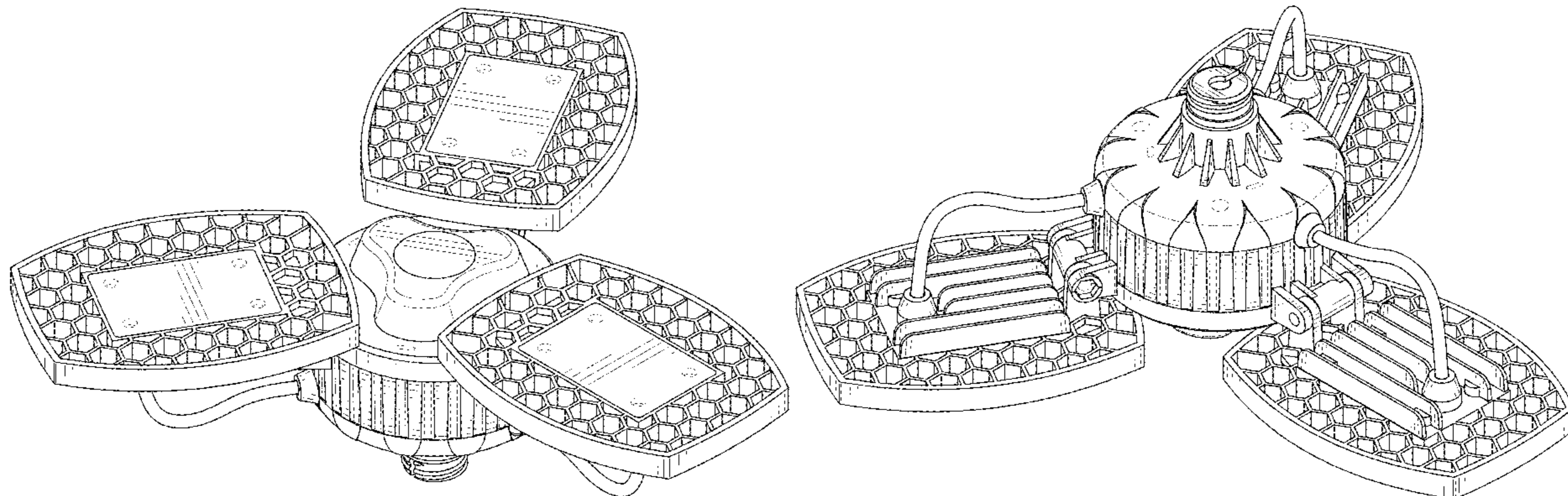
(57) **CLAIM**

The ornamental design for a plant cultivation, as shown and described.

DESCRIPTION

FIG. 1 is a front perspective of a plant cultivation lamp, showing my new design;
FIG. 2 is a rear perspective view thereof;
FIG. 3 is a front elevational view thereof;
FIG. 4 is a rear elevational view thereof;
FIG. 5 is a left side elevational view thereof;
FIG. 6 is a right side elevational view thereof;
FIG. 7 is a top plan thereof; and,
FIG. 8 is a bottom plan view thereof.
The broken lines in the figures illustrate portions of the plant cultivation lamp that form no part of the claimed design.

1 Claim, 8 Drawing Sheets



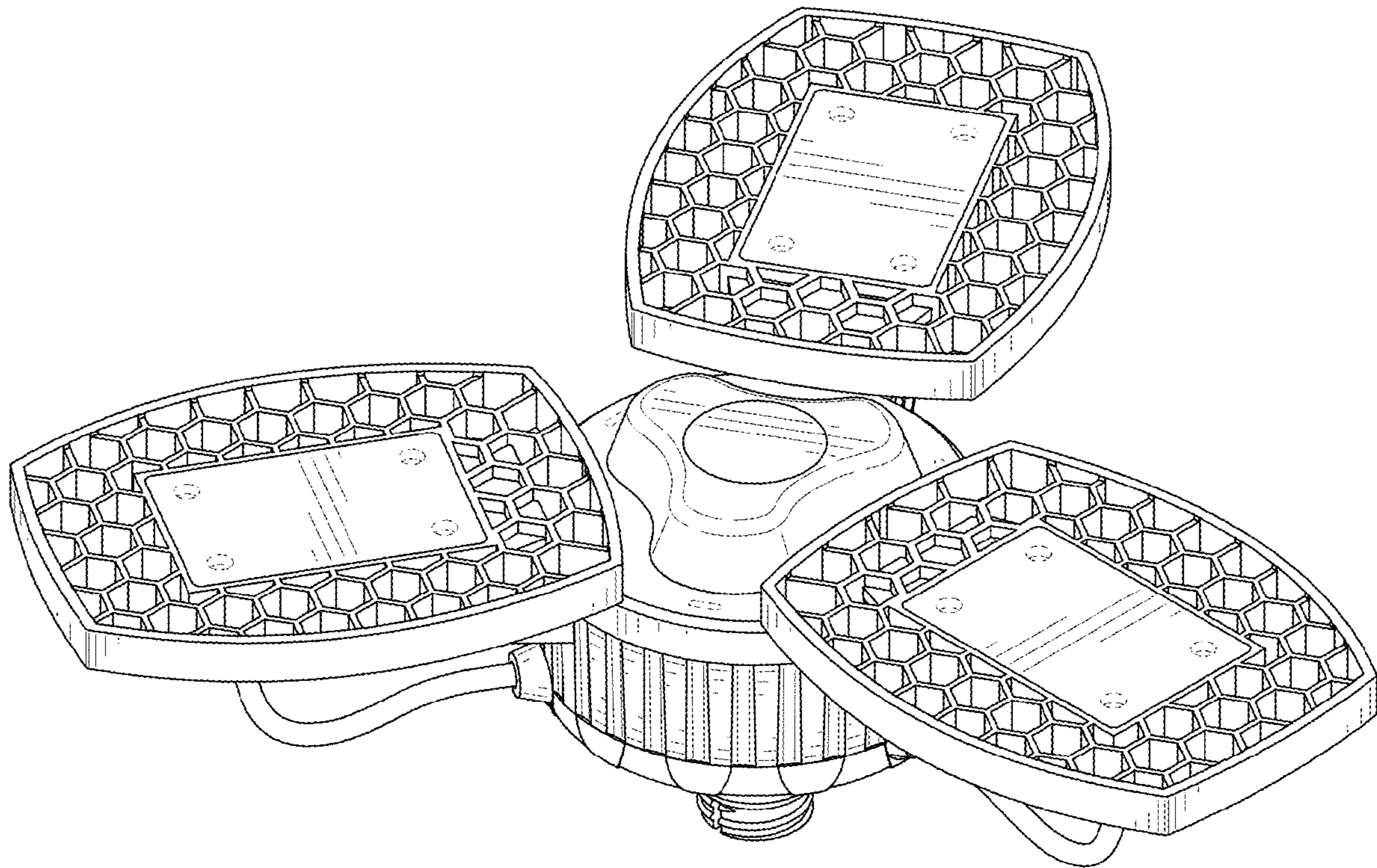


FIG. 1

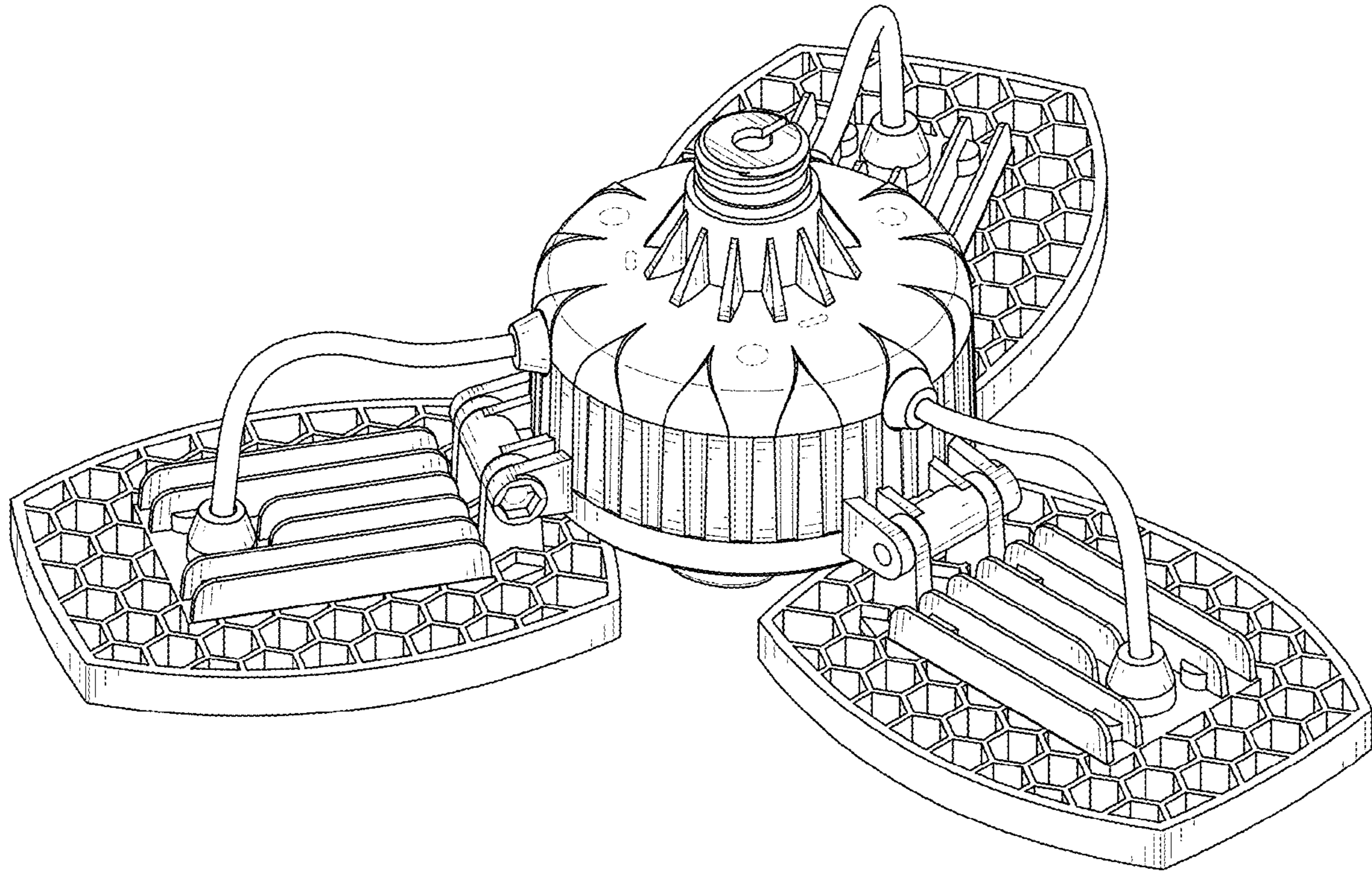


FIG. 2

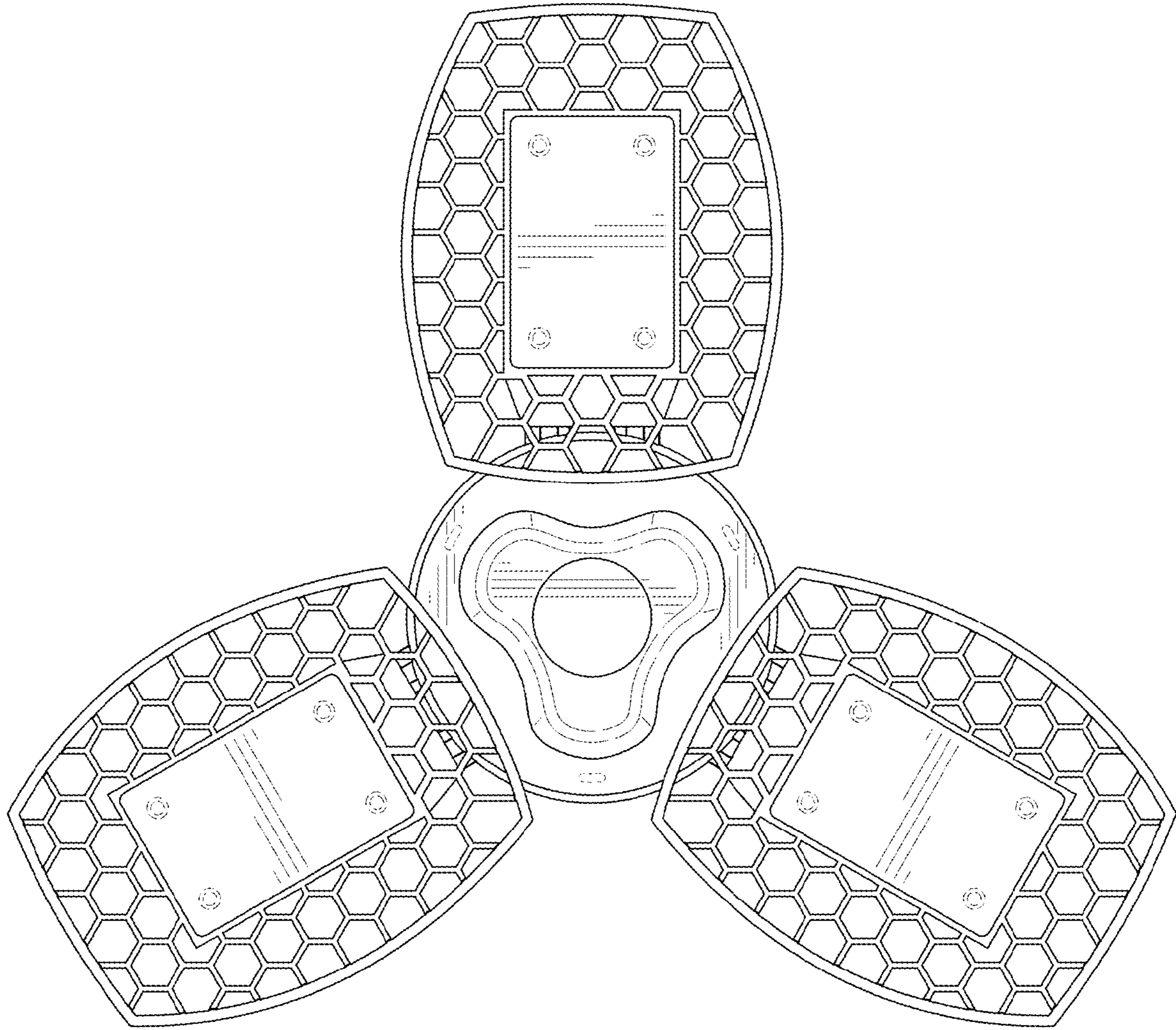


FIG. 3

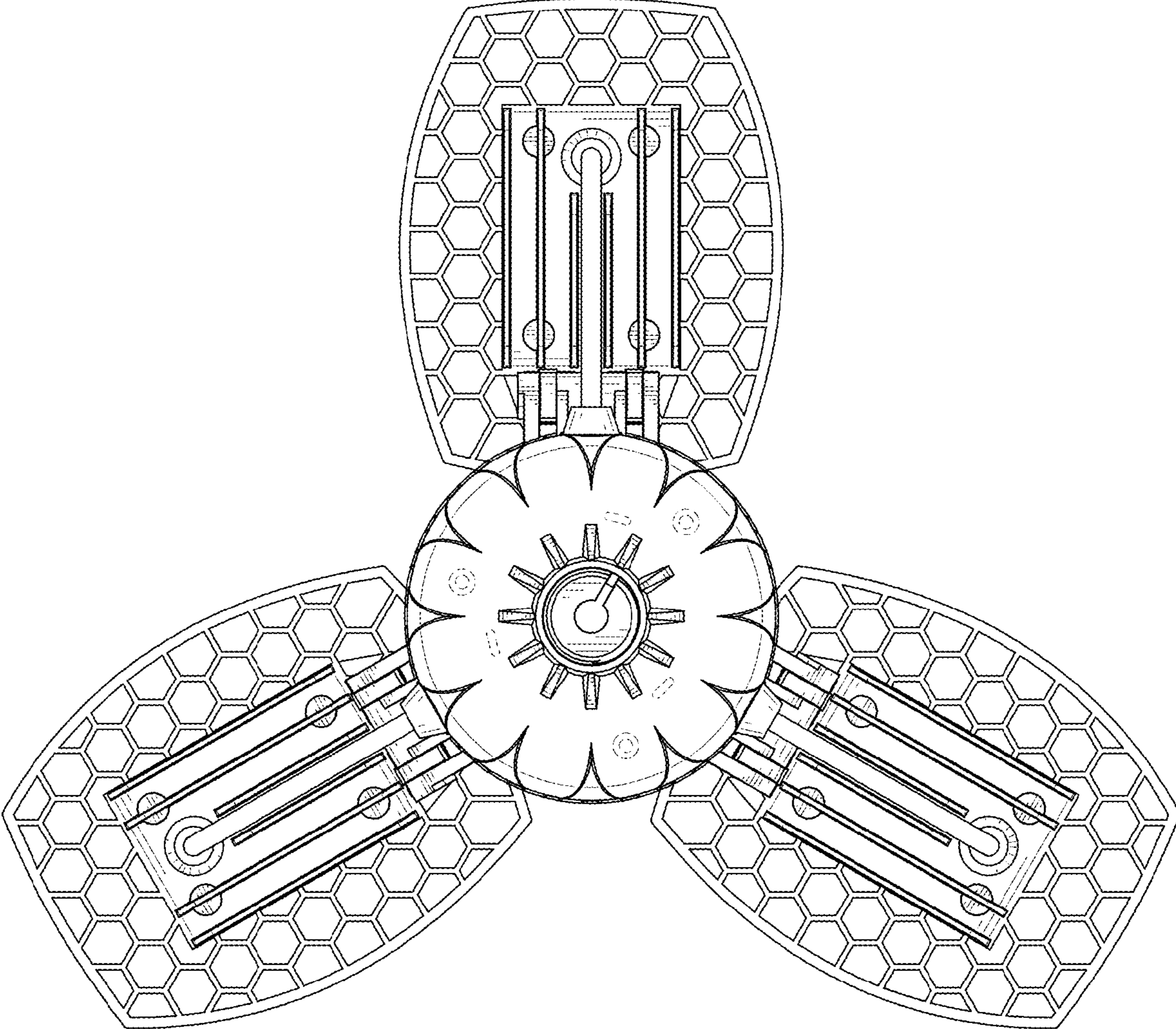


FIG. 4

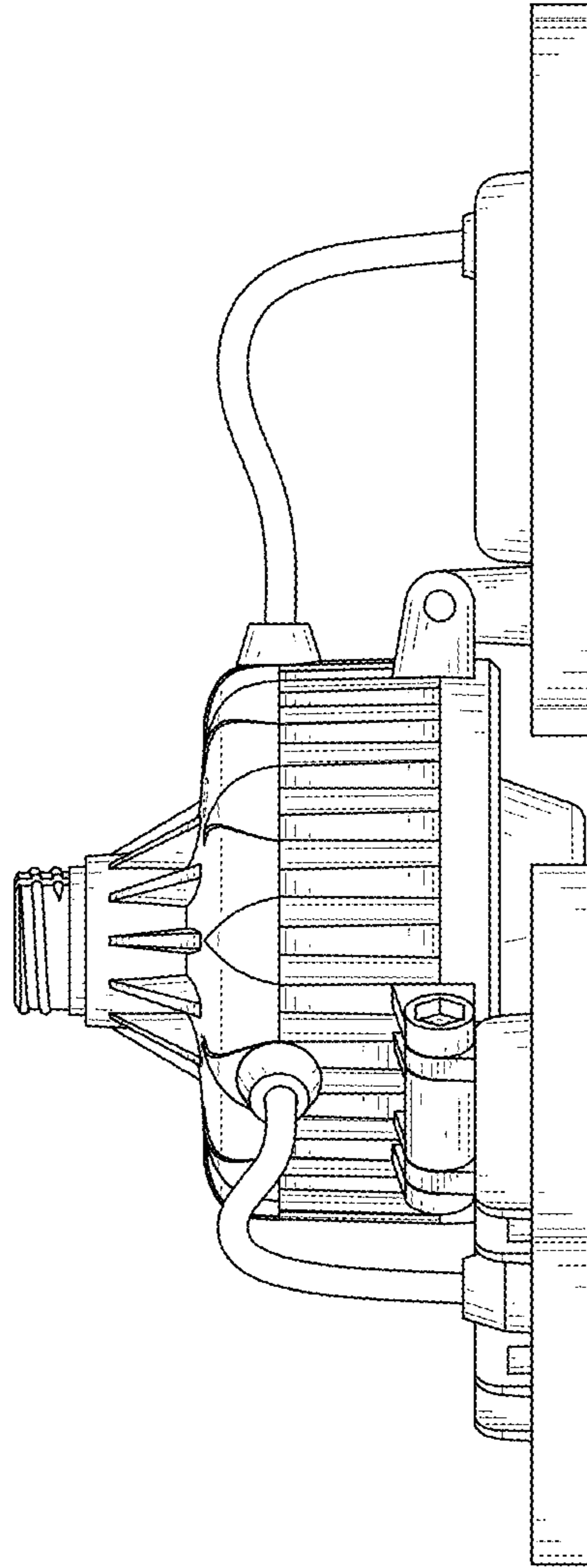


FIG. 5

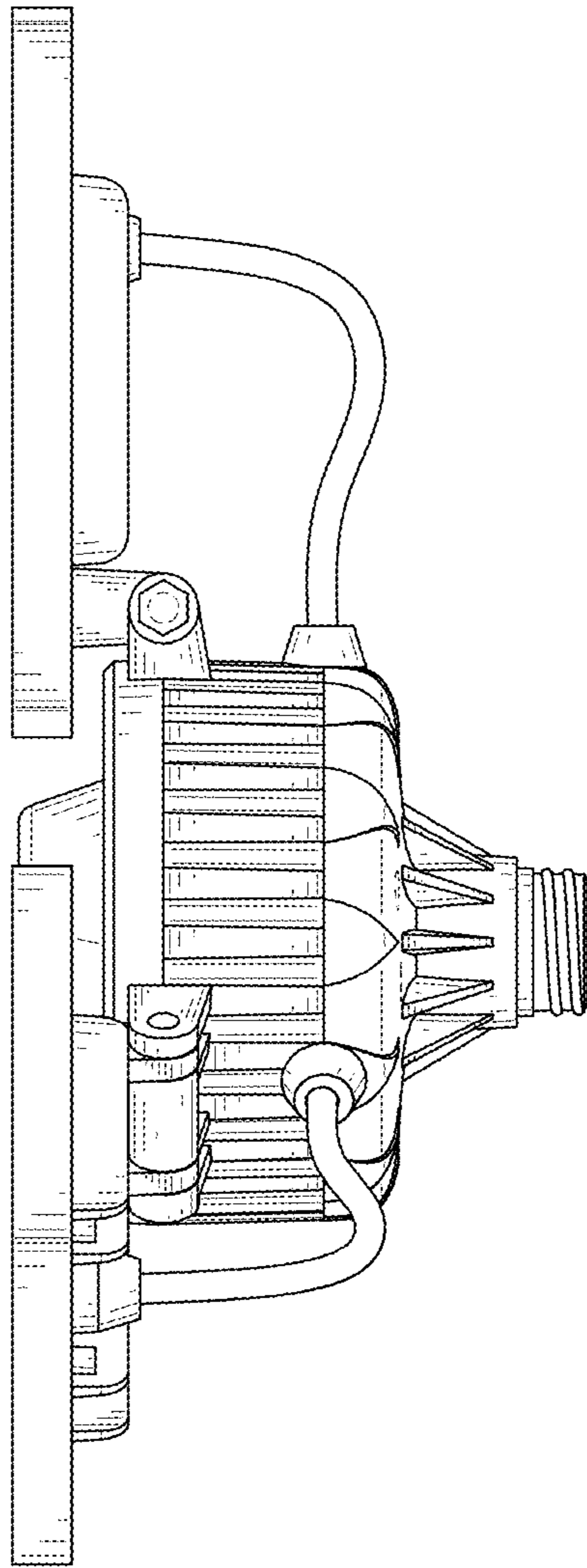


FIG. 6

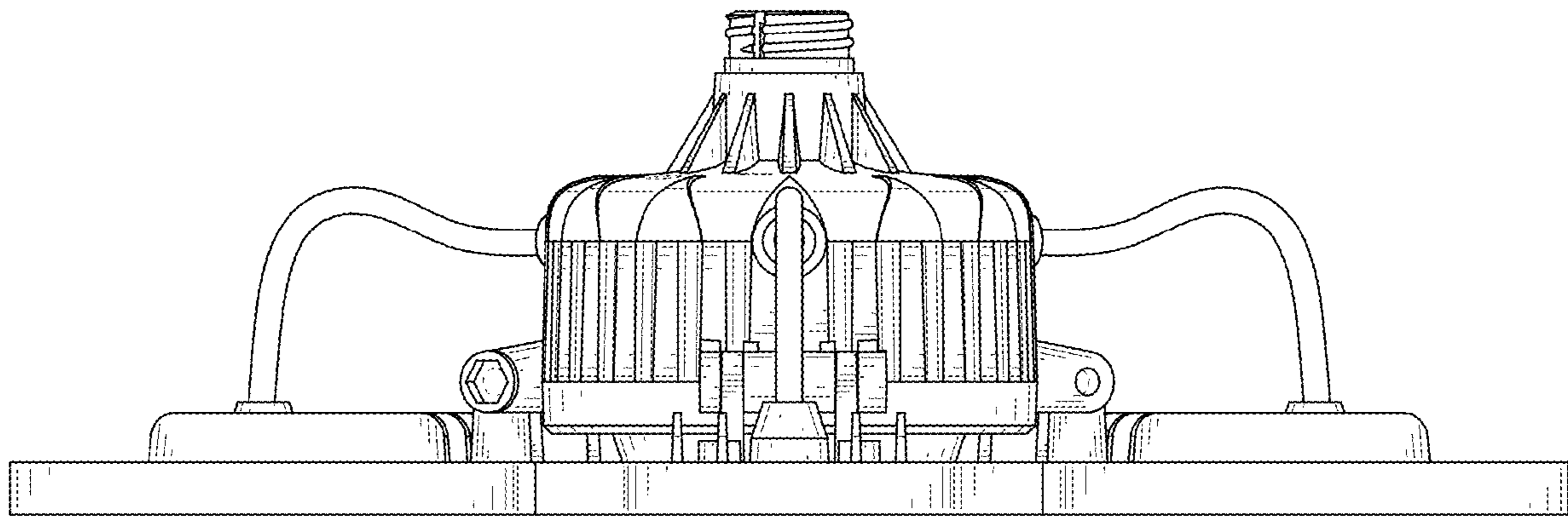


FIG. 7

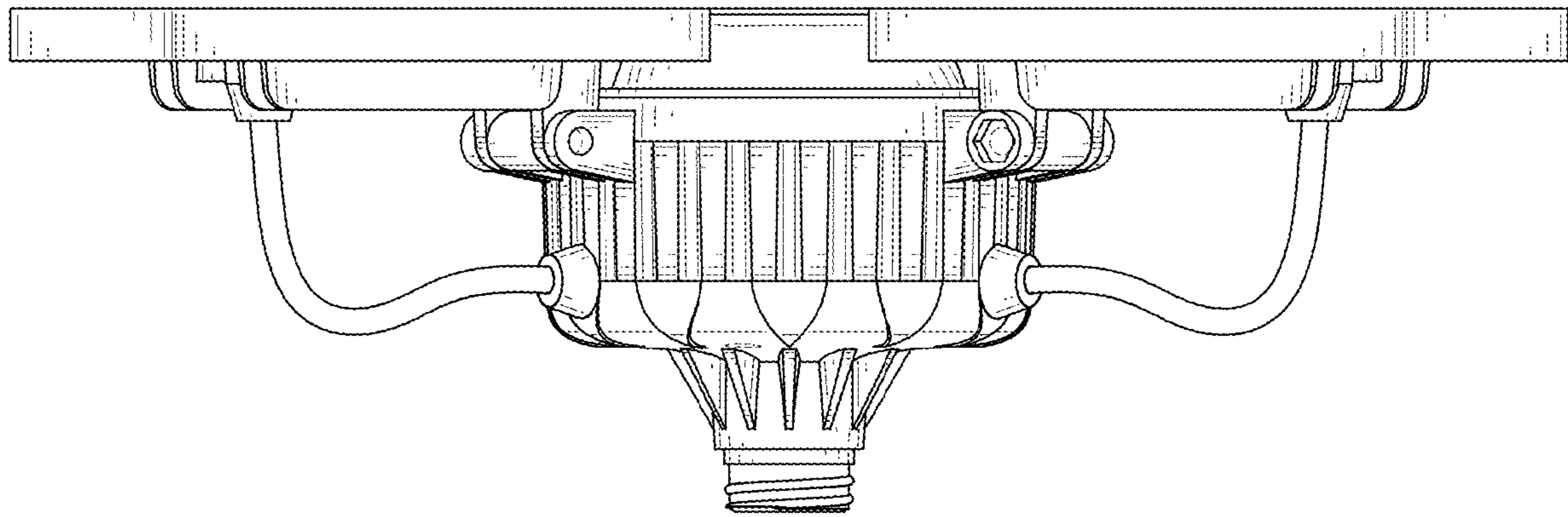


FIG. 8