



US00D879348S

(12) **United States Design Patent** (10) **Patent No.:** **US D879,348 S**  
**Recker et al.** (45) **Date of Patent:** **\*\* Mar. 24, 2020**

(54) **SPOTLIGHT**  
(71) Applicant: **Amazon Technologies, Inc.**, Seattle, WA (US)  
(72) Inventors: **Michael V. Recker**, Gaithersburg, MD (US); **Ryan David Hruska**, North Royalton, OH (US); **David Brett Levine**, Pepper Pike, OH (US)

D427,696 S \* 7/2000 Scott ..... D26/63  
D562,486 S \* 2/2008 Luke ..... D26/61  
D564,688 S 3/2008 Korpi  
D642,717 S 8/2011 Lindholm et al.  
D715,474 S \* 10/2014 Janos ..... D26/63  
D729,965 S \* 5/2015 Recker ..... D26/63  
D767,192 S \* 9/2016 Cai ..... D26/63  
D806,298 S \* 12/2017 Recker ..... D26/63  
D812,280 S \* 3/2018 Lechtenberg ..... D26/63

(73) Assignee: **Amazon Technologies, Inc.**, Seattle, WA (US)

TW D147094 5/2012  
TW D171335 10/2015

(\*\*) Term: **15 Years**

FOREIGN PATENT DOCUMENTS

(21) Appl. No.: **29/701,152**

(22) Filed: **Aug. 8, 2019**

OTHER PUBLICATIONS

The Korean Office Action dated Oct. 1, 2018 for Korean design application No. 30-2018-0003426, a counterpart foreign application of design U.S. Appl. No. 29/611,128, 4 pages.

Related U.S. Application Data

(63) Continuation of application No. 29/611,128, filed on Jul. 19, 2017, now Pat. No. Des. 857,270.

\* cited by examiner

(51) **LOC (12) Cl.** ..... **26-03**

*Primary Examiner* — Brian N. Vinson

(52) **U.S. Cl.**  
USPC ..... **D26/63**

(74) *Attorney, Agent, or Firm* — Lee & Hayes, P.C.

(58) **Field of Classification Search**  
USPC ..... D26/24, 60–65, 93  
CPC .... F21S 8/02; F21S 8/003; F21S 8/026; F21S 8/03; F21S 8/038; F21S 8/04; F21S 8/043; F21S 6/00; F21V 5/046; F21V 5/04; F21V 1/00; F21V 5/00; F21V 21/02; F21V 15/01

(57) **CLAIM**

The ornamental design for a spotlight, as shown and described.

See application file for complete search history.

**DESCRIPTION**

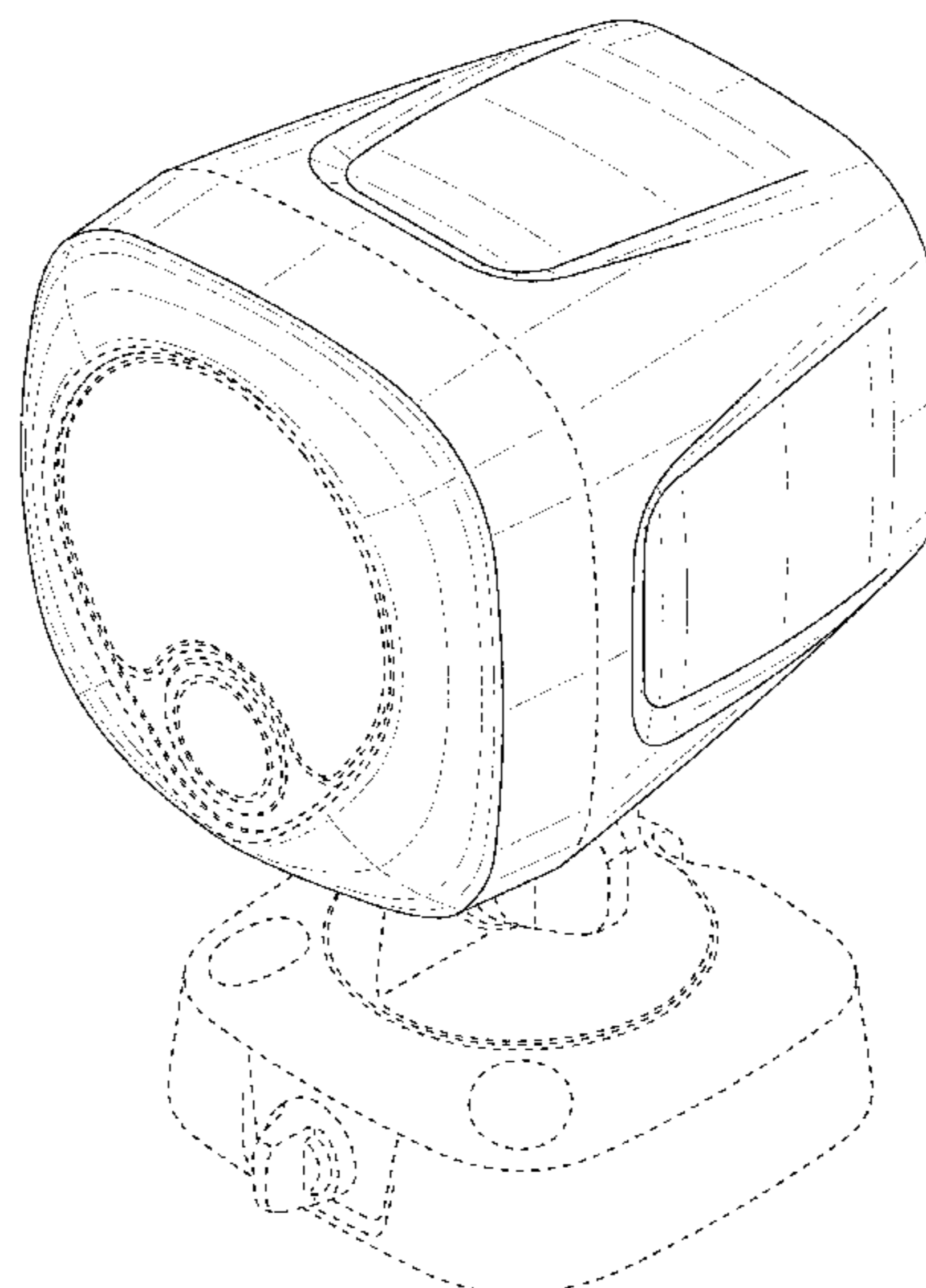
FIG. 1 is a front, right, top perspective view of a spotlight; FIG. 2 is a rear, left, bottom perspective view thereof; FIG. 3 is a front elevation view thereof; FIG. 4 is a rear elevation view thereof; FIG. 5 is a left-side elevation view thereof; FIG. 6 is a right-side elevation view thereof; FIG. 7 is a top plan view thereof; and, FIG. 8 is a bottom plan view thereof. The broken lines depict portions of the spotlight that form no part of the claimed design.

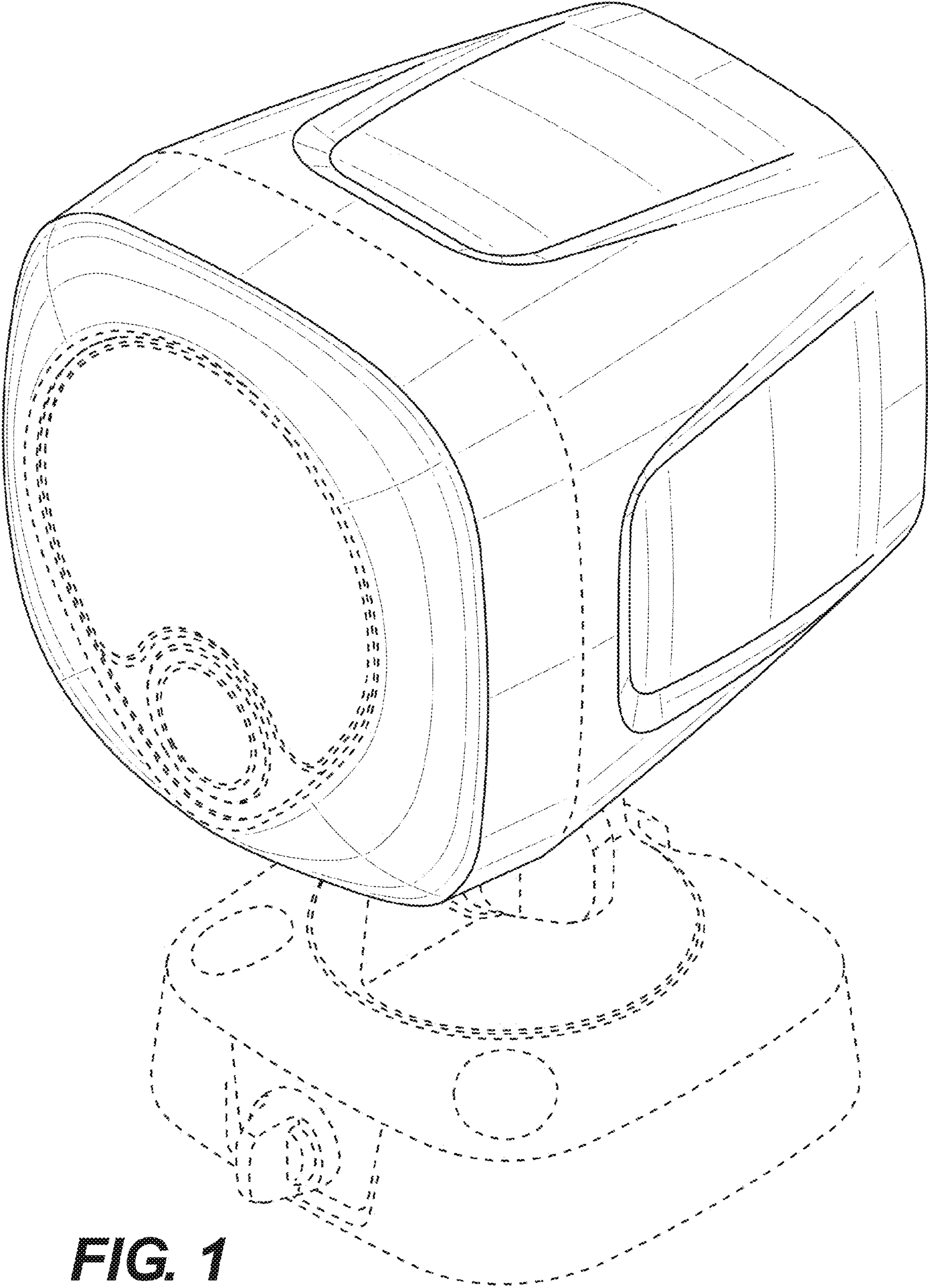
(56) **References Cited**

U.S. PATENT DOCUMENTS

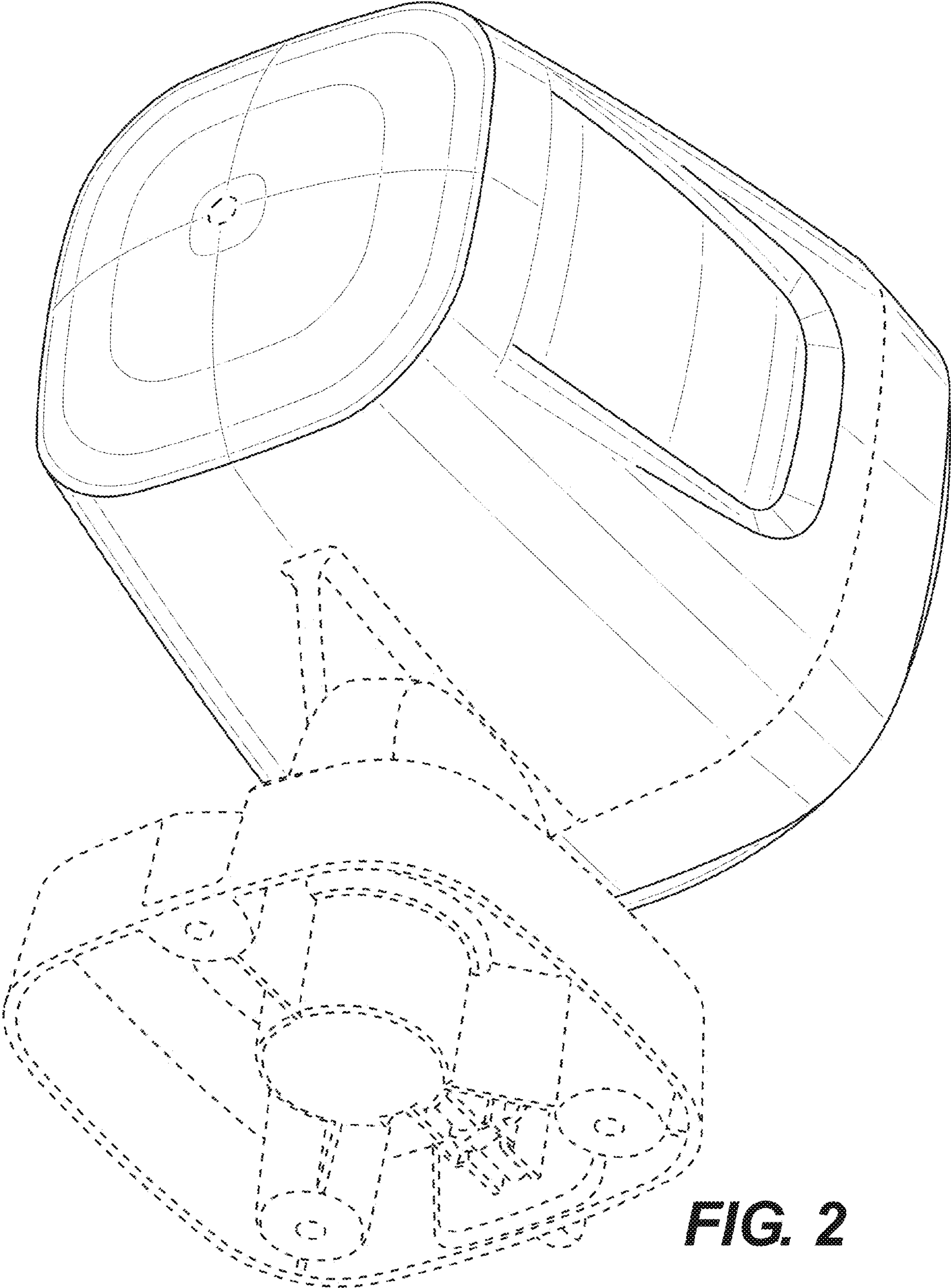
D242,945 S \* 1/1977 Moore ..... D26/65  
D316,303 S \* 4/1991 Layne ..... D26/63  
D335,193 S \* 4/1993 Shaanan ..... D26/63  
D346,234 S \* 4/1994 Sammis ..... D26/63  
D407,518 S \* 3/1999 Yeh ..... D26/63

**1 Claim, 8 Drawing Sheets**

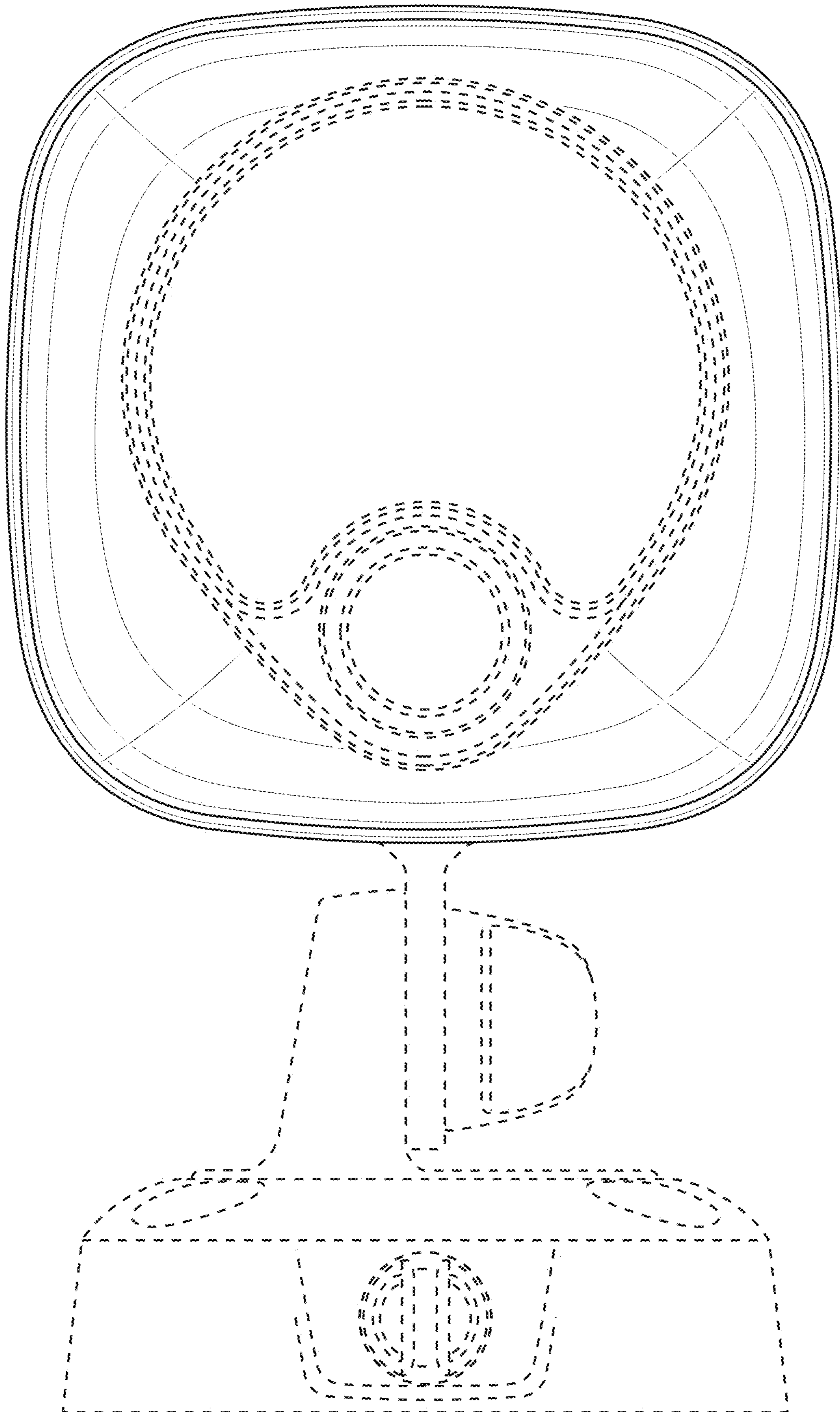




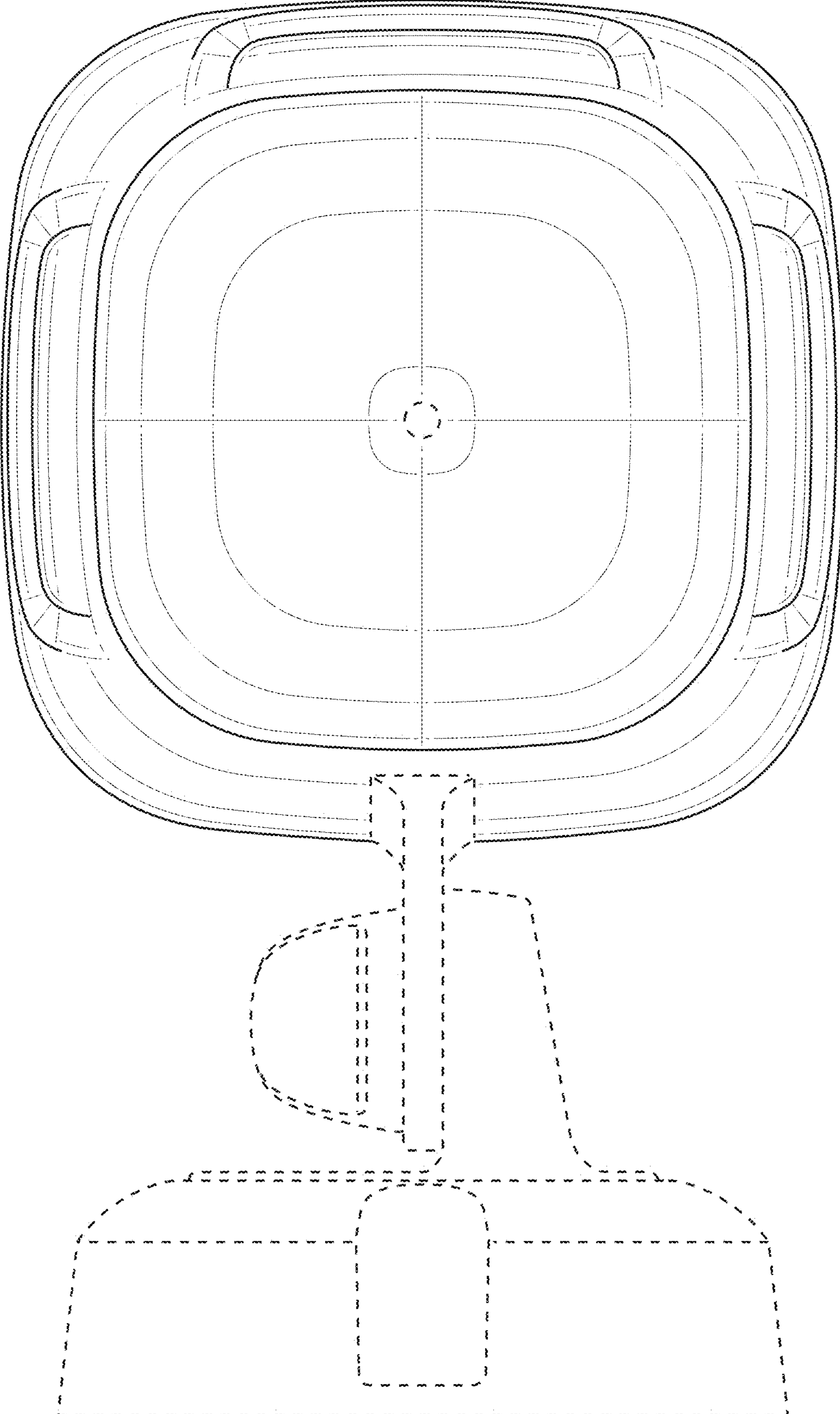
**FIG. 1**



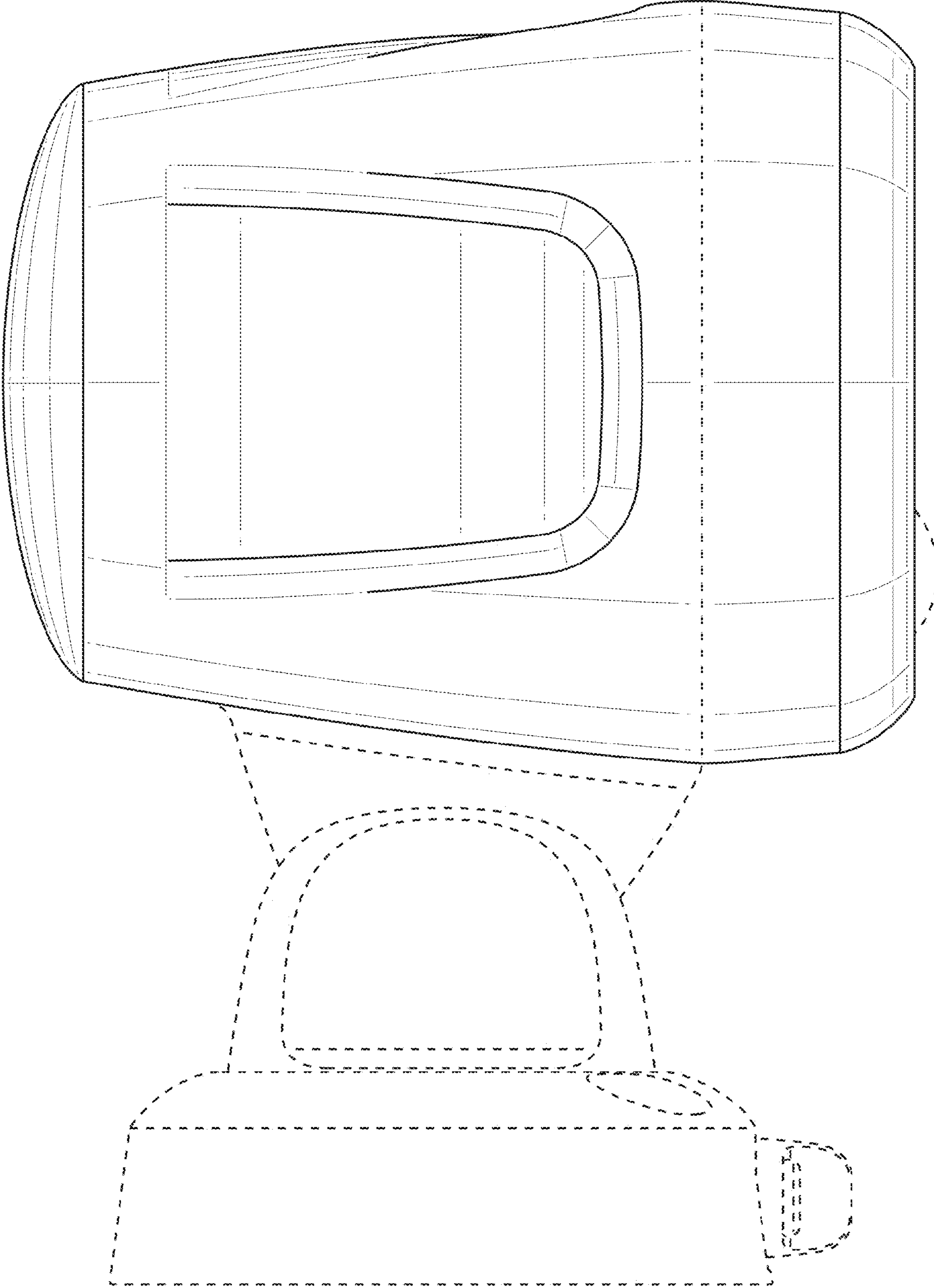
**FIG. 2**



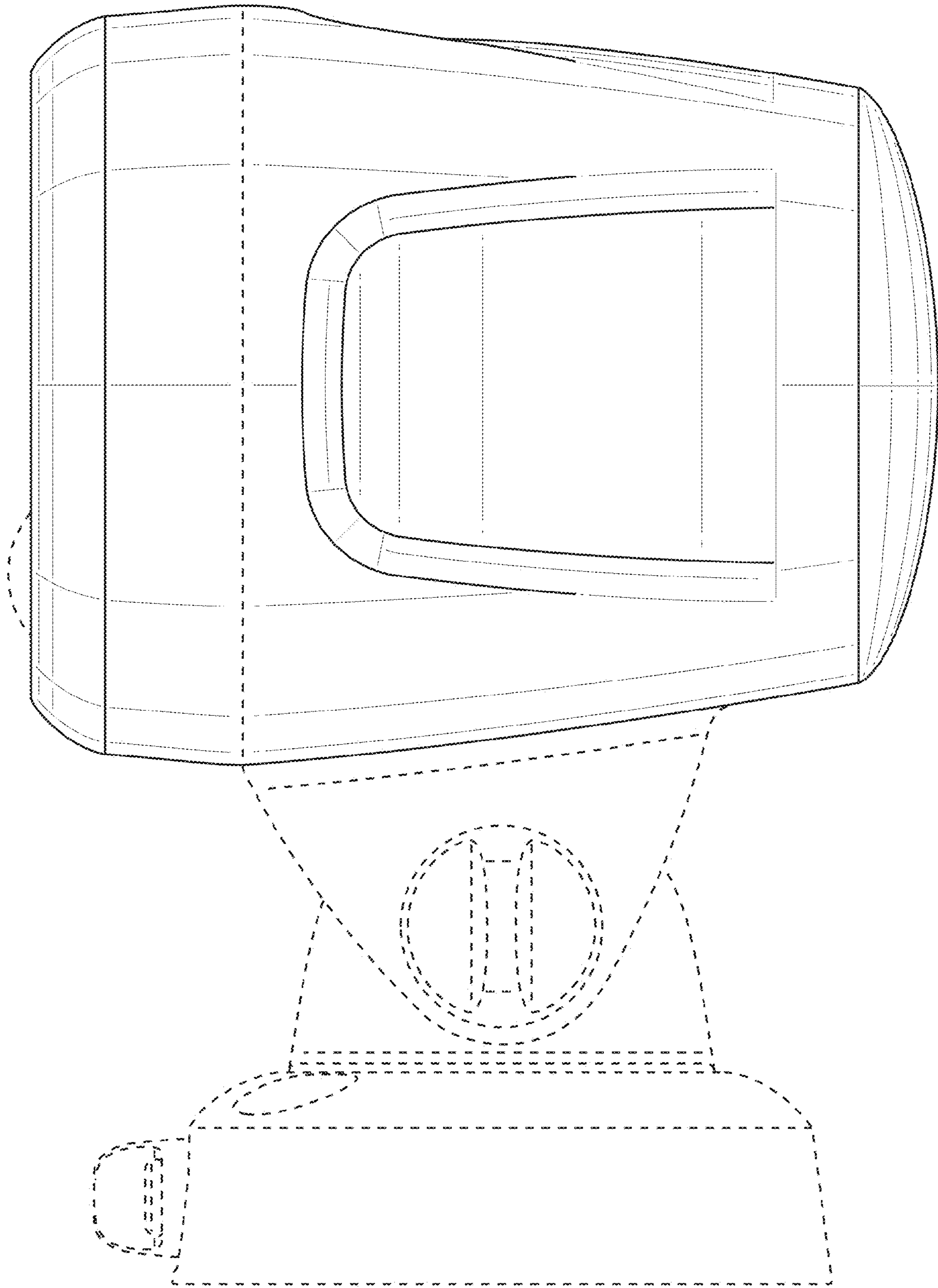
**FIG. 3**



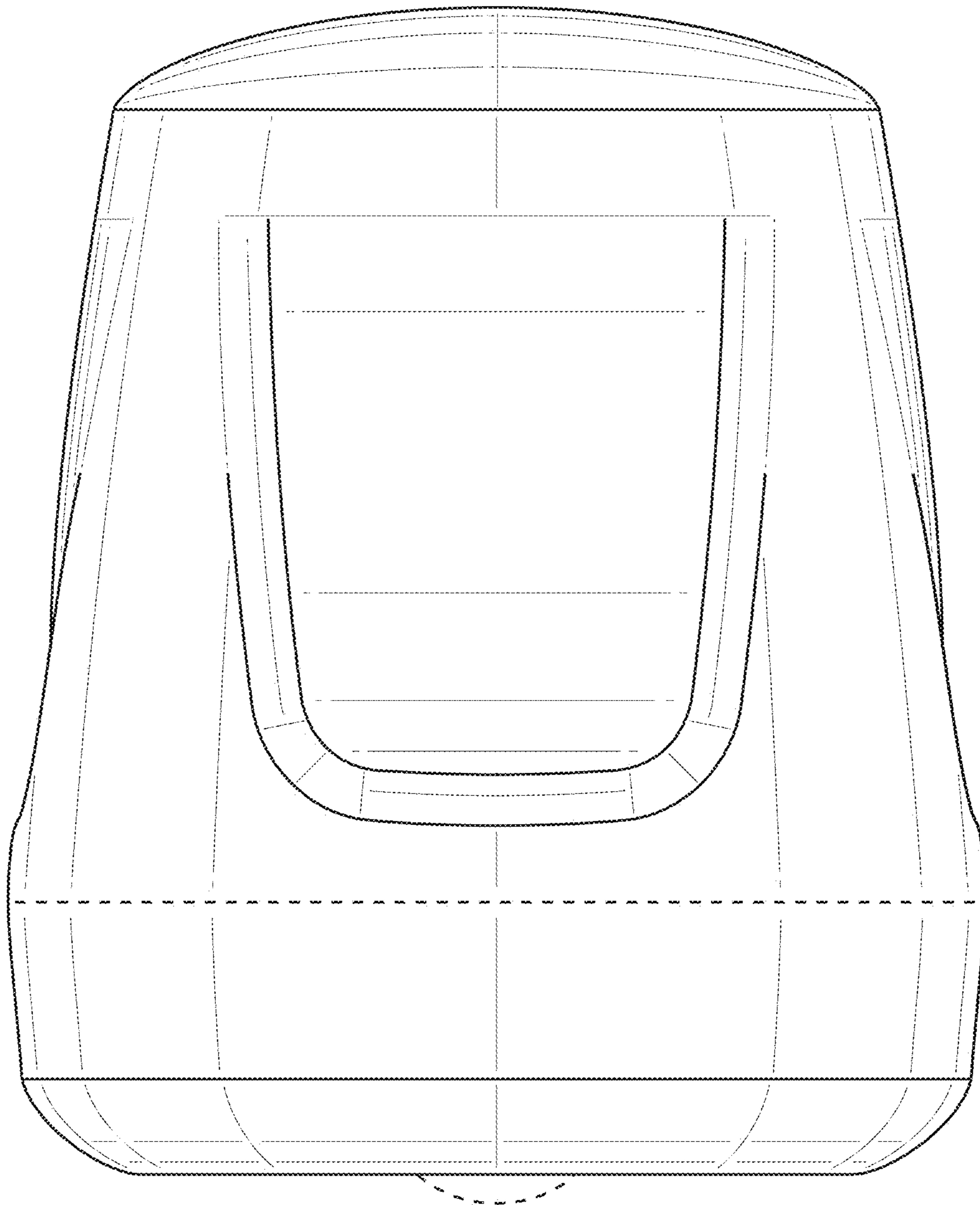
**FIG. 4**



**FIG. 5**

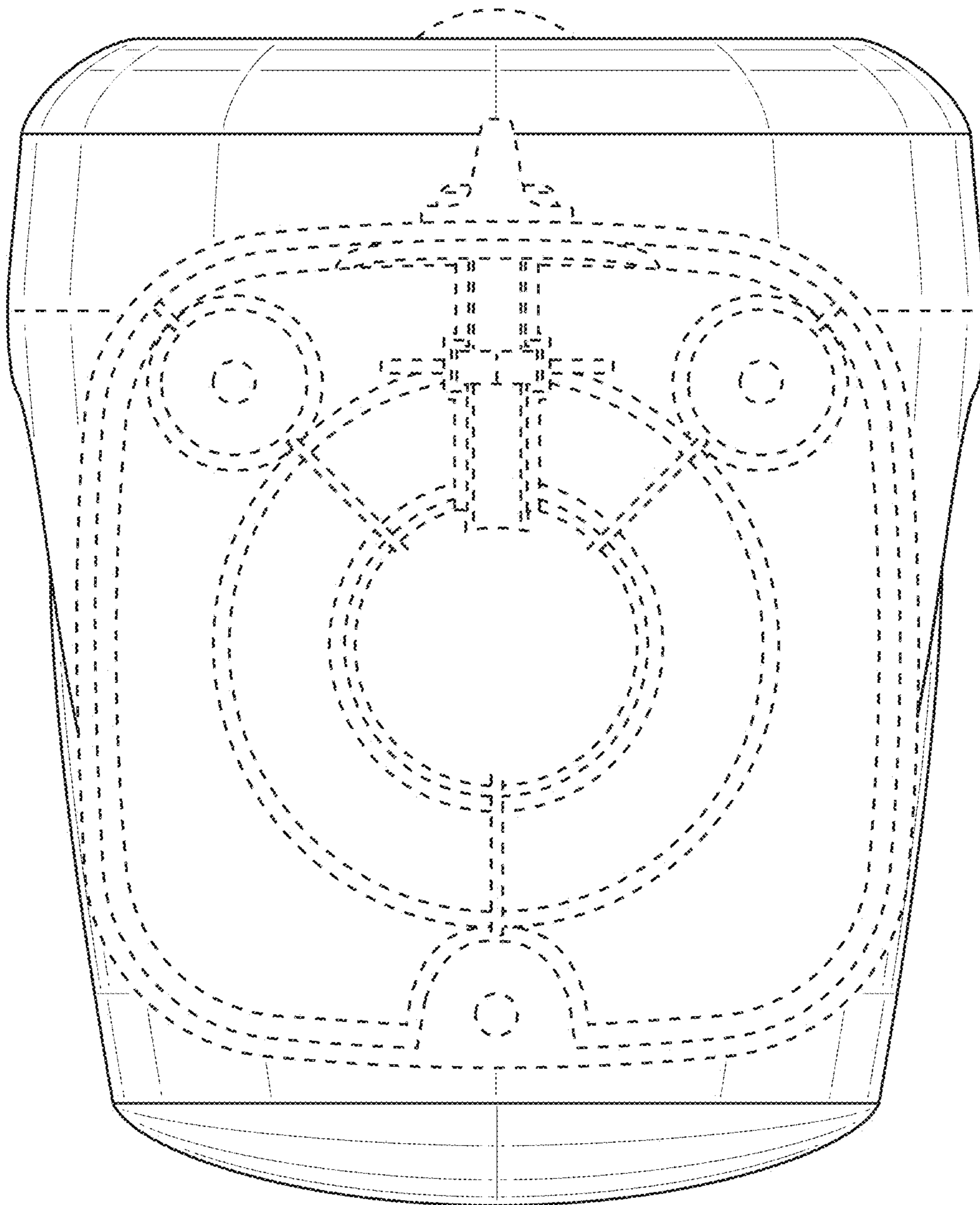


**FIG. 6**



**FIG. 7**





**FIG. 8**