



US00D879347S

(12) **United States Design Patent** (10) **Patent No.:** **US D879,347 S**
Gordin et al. (45) **Date of Patent:** **** Mar. 24, 2020**

(54) **ARRAY INCLUDING ADJUSTABLE LIGHTING FIXTURES ON A POLE**

- (71) Applicant: **Musco Corporation**, Oskaloosa, IA (US)
- (72) Inventors: **Myron Gordin**, Oskaloosa, IA (US); **Steven T. Heaton**, Oskaloosa, IA (US)
- (73) Assignee: **Musco Corporation**, Oskaloosa, IA (US)
- (**) Term: **15 Years**
- (21) Appl. No.: **29/664,986**
- (22) Filed: **Sep. 28, 2018**

Related U.S. Application Data

- (62) Division of application No. 29/581,269, filed on Oct. 18, 2016, now Pat. No. Des. 833,662.
- (51) **LOC (12) Cl.** **26-03**
- (52) **U.S. Cl.**
USPC **D26/63**
- (58) **Field of Classification Search**
USPC D26/1, 24, 51, 61, 63, 80, 81, 86, 95,
D26/102, 110, 127, 138; D25/1, 3, 4, 5,
D25/35, 199

(Continued)

(56) **References Cited**

U.S. PATENT DOCUMENTS

- D158,803 S 5/1950 Russell
- D195,876 S 8/1963 Atkin et al.

(Continued)

FOREIGN PATENT DOCUMENTS

- EP 2056020 A1 5/2009
- RU 2125681 C1 1/1999

(Continued)

OTHER PUBLICATIONS

Musco Corporation, Application No. 13791654.0/PCT/US2013/041863, "Extended European Search Report" dated Oct. 25, 2016.
(Continued)

Primary Examiner — Brian N. Vinson
(74) *Attorney, Agent, or Firm* — McKee, Voorhees & Sease, PLC

(57) **CLAIM**

The ornamental design for an array including adjustable lighting fixtures on a pole, as shown and described.

DESCRIPTION

FIG. 1 is a perspective view of the claimed design in a twenty lighting fixture configuration;
 FIG. 2 is an enlarged perspective view of the upper portion of the design;
 FIG. 3 is a front elevation view of FIG. 2 including a portion of the pole;
 FIG. 4 is a back elevation of FIG. 2 including a portion of the pole;
 FIG. 5 is a top plan view of FIG. 2;
 FIG. 6 is a bottom plan view of FIG. 2 rotated 180 degrees;
 FIG. 7 is a right side elevation of FIG. 2 including a portion of the pole;
 FIG. 8 is a left side elevation of FIG. 2 including a portion of the pole;
 FIG. 9 is a perspective view of the claimed design in a thirteen lighting fixture configuration;
 FIG. 10 is an enlarged perspective view of the upper portion of the design;
 FIG. 11 is a front elevation view of FIG. 10 including a portion of the pole;
 FIG. 12 is a back elevation of FIG. 10 including a portion of the pole;
 FIG. 13 is a top plan view of FIG. 10;
 FIG. 14 is a bottom plan view of FIG. 10 rotated 180 degrees;
 FIG. 15 is a right side elevation of FIG. 10 including a portion of the pole;

(Continued)

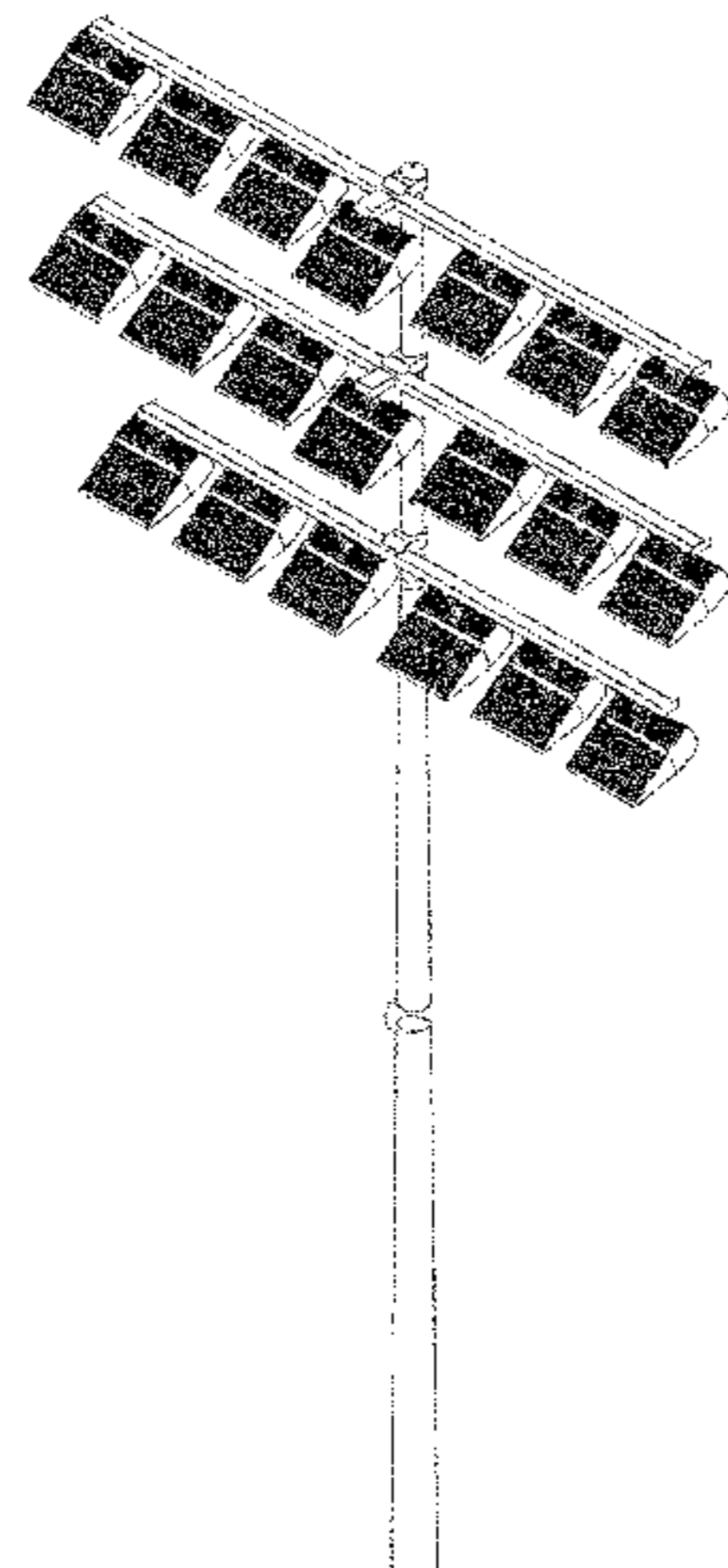


FIG. 16 is a left side elevation of FIG. 10 including a portion of the pole;
 FIG. 17 is a perspective view of the claimed design in a sixteen lighting fixture configuration;
 FIG. 18 is an enlarged perspective view of the upper portion of the design;
 FIG. 19 is a front elevation view of FIG. 18 including a portion of the pole;
 FIG. 20 is a back elevation of FIG. 18 including a portion of the pole;
 FIG. 21 is a top plan view of FIG. 18;
 FIG. 22 is a bottom plan view of FIG. 18 rotated 180 degrees;
 FIG. 23 is a right side elevation of FIG. 18 including a portion of the pole;
 FIG. 24 is a left side elevation of FIG. 18 including a portion of the pole;
 FIG. 25 is an isolated back perspective view of the lighting fixture of FIGS. 1-24; and,
 FIG. 26 is an isolated front perspective view of the lighting fixture of FIGS. 1-24.
 The separations indicated by brackets in FIGS. 1, 9 and 17 and indicated by double break lines in FIGS. 3, 4, 7, 8, 11, 12, 15, 16, 19, 20, 23 and 24 indicate the precise length of pole of the array including adjustable lighting fixtures on a pole form no part of the claimed design. The broken lines shown in FIGS. 1-26 indicate unclaimed portions of the array including adjustable lighting fixtures on a pole and form no part of the claimed design.

1 Claim, 26 Drawing Sheets

(58) **Field of Classification Search**
 CPC ... E02B 17/021; F21S 2/00; F21S 6/00; F21S 8/00; F21S 8/003; F21S 8/036; F21V 21/116; F21V 21/22
 See application file for complete search history.

(56) **References Cited**

U.S. PATENT DOCUMENTS

3,358,133	A	12/1967	Thoman et al.	
D246,131	S	10/1977	Schifrin	
4,190,881	A *	2/1980	Drost	F21V 21/116 362/238
4,220,981	A *	9/1980	Koether	F21V 21/22 362/238
D257,891	S *	1/1981	Drost	D26/102
D300,570	S	4/1989	DeCandia	
D332,318	S	1/1993	Reding	
D337,168	S *	7/1993	Gordin	D25/127
D353,911	S *	12/1994	Gordin	D25/127
5,426,577	A *	6/1995	Gordin	F21V 21/116 174/45 R
5,647,661	A	7/1997	Gordin et al.	
D391,382	S	2/1998	Rahn	
5,887,969	A	3/1999	Gordin	
D411,025	S	6/1999	Rahn	

D411,096	S	6/1999	Gordin et al.	
D412,592	S	8/1999	Kowalenko et al.	
6,220,726	B1	4/2001	Gordin	
6,250,596	B1	6/2001	Gordin et al.	
D445,936	S	7/2001	Mier-Langner et al.	
D472,339	S	3/2003	Russello et al.	
D475,154	S	5/2003	Binsukor	
7,484,866	B1	2/2009	Buse	
D636,525	S	4/2011	Chang	
D641,908	S	7/2011	McKee	
D644,370	S	8/2011	Lickiss	
8,007,131	B2	8/2011	Liu et al.	
D646,826	S	10/2011	Smith	
8,104,927	B2	1/2012	Gordin et al.	
D655,840	S *	3/2012	Heaton	D26/63
D659,280	S	5/2012	Guercio et al.	
D672,908	S	12/2012	Wilcox et al.	
D694,449	S	11/2013	Walker et al.	
D695,949	S	12/2013	Gordin et al.	
D695,950	S	12/2013	Gordin et al.	
D695,952	S	12/2013	Gordin et al.	
8,789,967	B2	7/2014	Gordin et al.	
D716,990	S	11/2014	Yu	
D743,602	S *	11/2015	Gordin	D26/63
D757,343	S *	5/2016	Dupuis	D26/110
D797,367	S *	9/2017	Hart	D26/138
D808,052	S	1/2018	Gordin et al.	
D808,053	S	1/2018	Gordin et al.	
2006/0198145	A1	9/2006	Gordin	
2009/0122550	A1	5/2009	Gordin et al.	
2010/0110671	A1	5/2010	Gordin et al.	
2010/0165654	A1	7/2010	Okubo et al.	
2011/0074313	A1	3/2011	Gordin	
2012/0039077	A1	2/2012	Householder	
2013/0250556	A1	9/2013	Gordin et al.	
2014/0301078	A1	10/2014	Gordin et al.	
2015/0029721	A1	1/2015	Kim	

FOREIGN PATENT DOCUMENTS

WO	9633368	A1	10/1996
WO	2012166347	A2	12/2012
WO	2013173837	A1	11/2013

OTHER PUBLICATIONS

Musco Corporation, PCT/US2012/037935 filed May 15, 2012, "The International Search Report and the Written Opinion of the International Searching Authority, or the Declaration", 13 pages, dated Jan. 29, 2013.
 Musco Corporation, PCT/US2012/037935 filed May 15, 2012, "Transmittal of International Preliminary Report on Patentability", 8 pages, dated Dec. 12, 2013.
 Musco Corporation, PCT/US2013/041863 filed May 20, 2013, "The International Search Report and the Written Opinion of the International Searching Authority, or the Declaration", 13 pages, dated Aug. 28, 2013.
 Musco Corporation, PCT/US2013/041863 filed May 20, 2013, "Transmittal of International Preliminary Report on Patentability", 8 pages, dated Nov. 27, 2014.
 Musco Corporation, U.S. Appl. No. 29/500,935, filed Aug. 29, 2014, "Information Disclosure Statement" 4 pages, filed with the USPTO on Aug. 29, 2014.

* cited by examiner

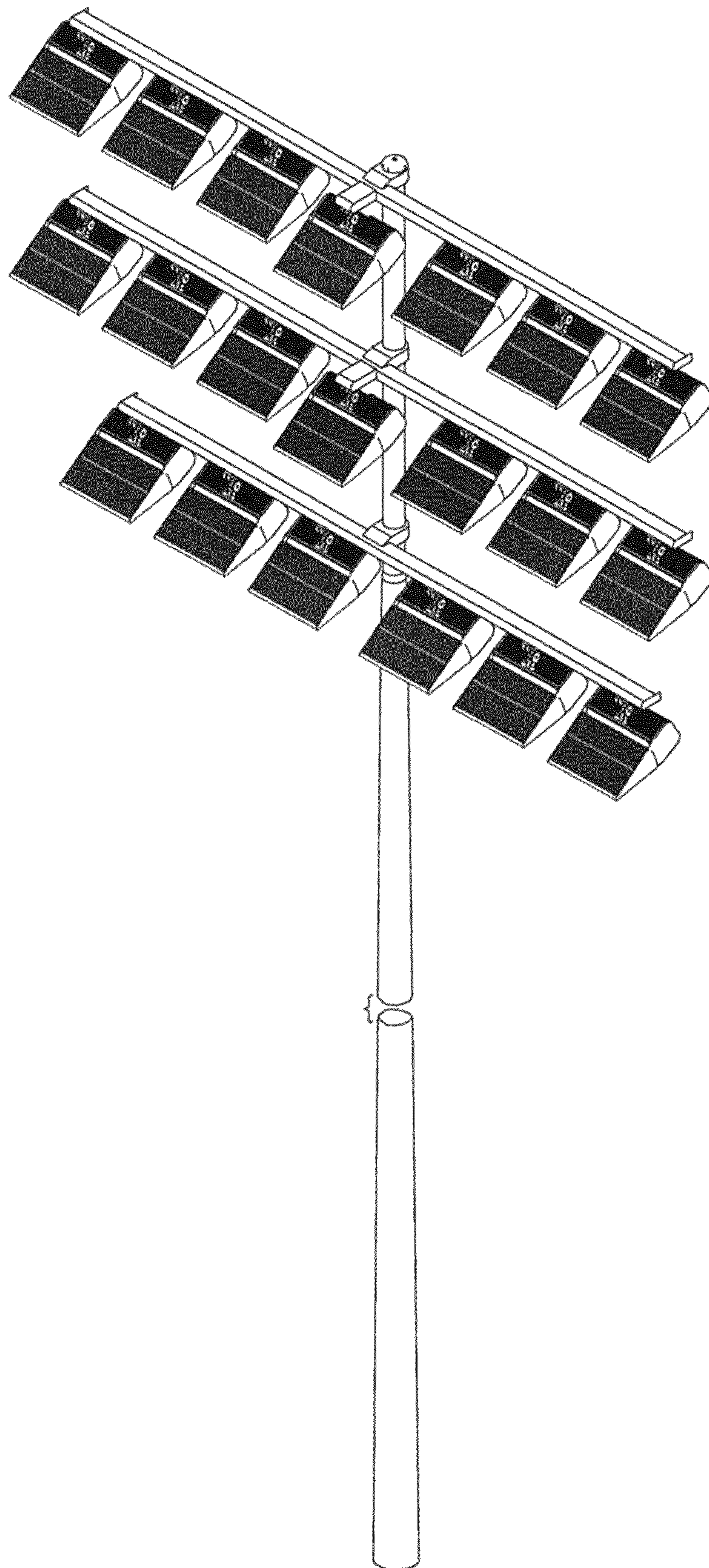


FIG 1

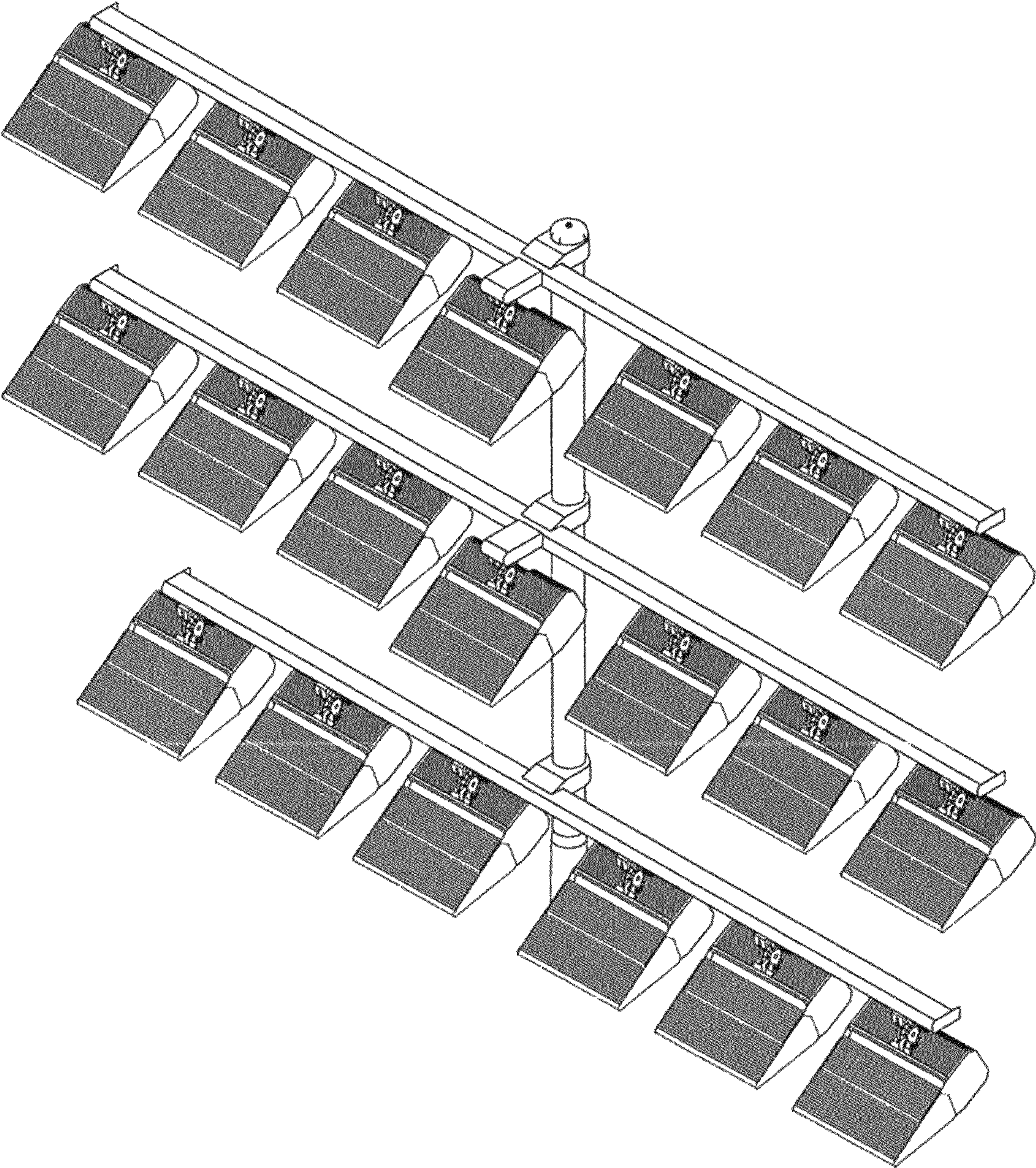


FIG 2

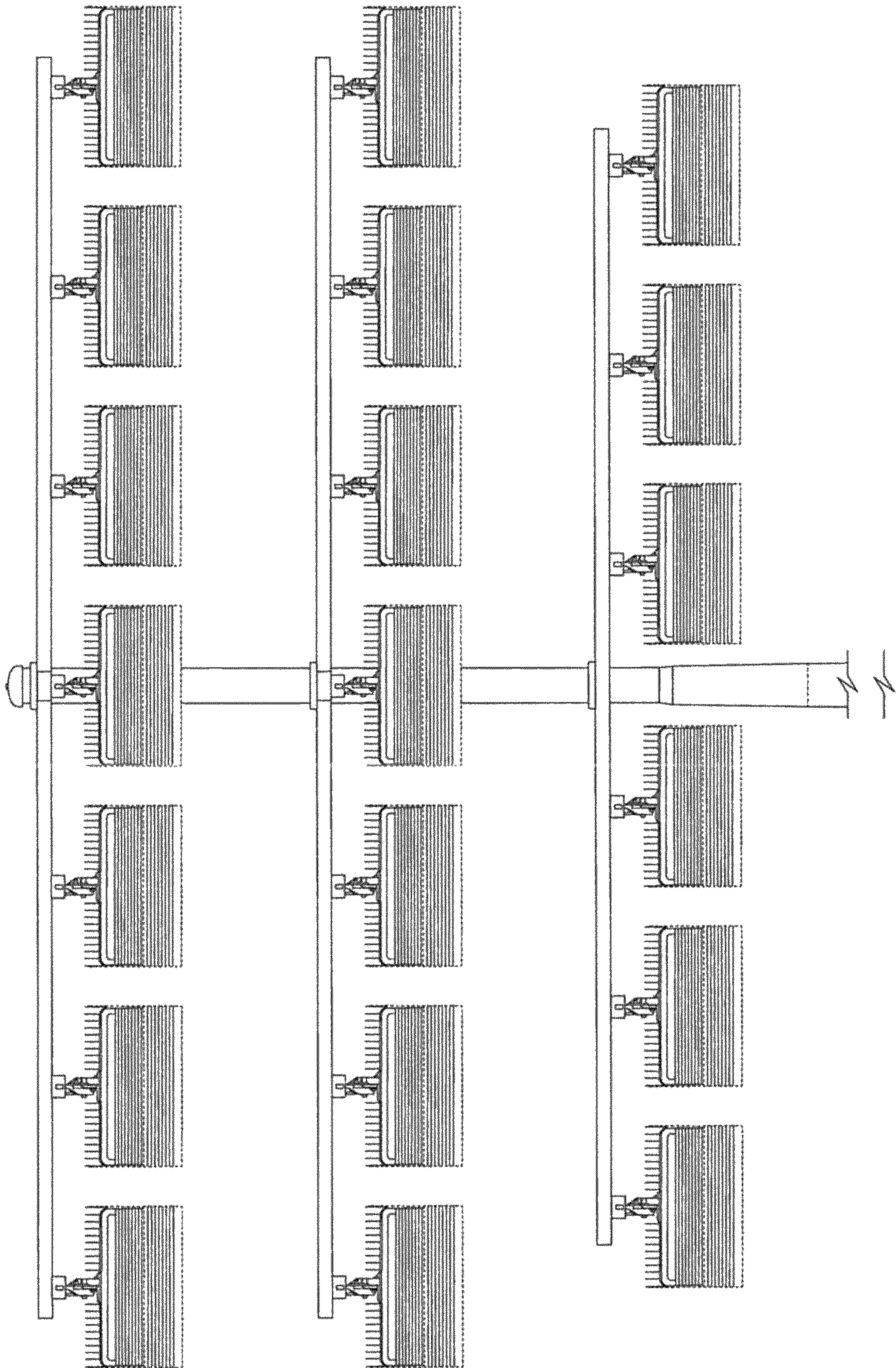


FIG 3

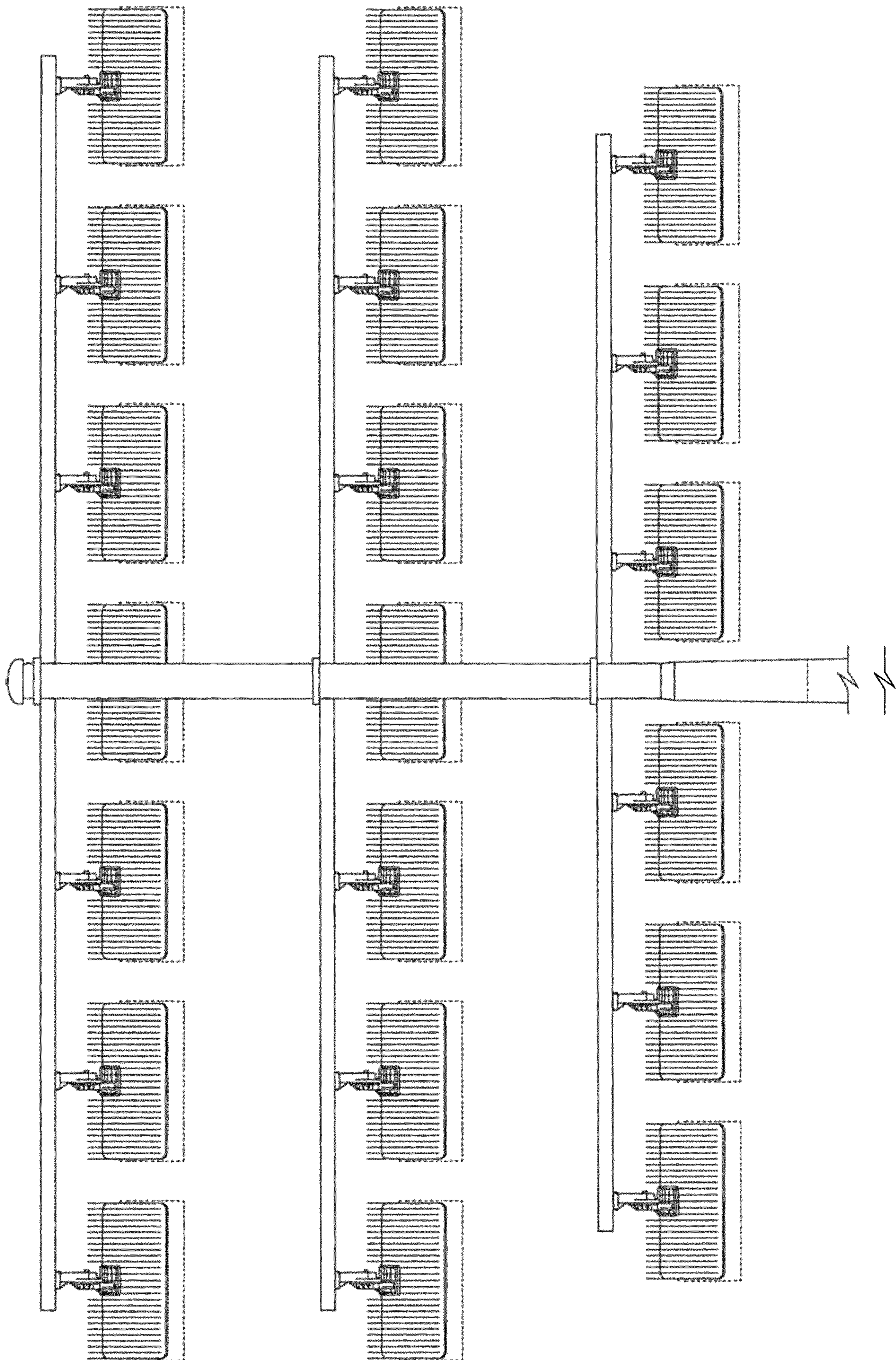


FIG 4

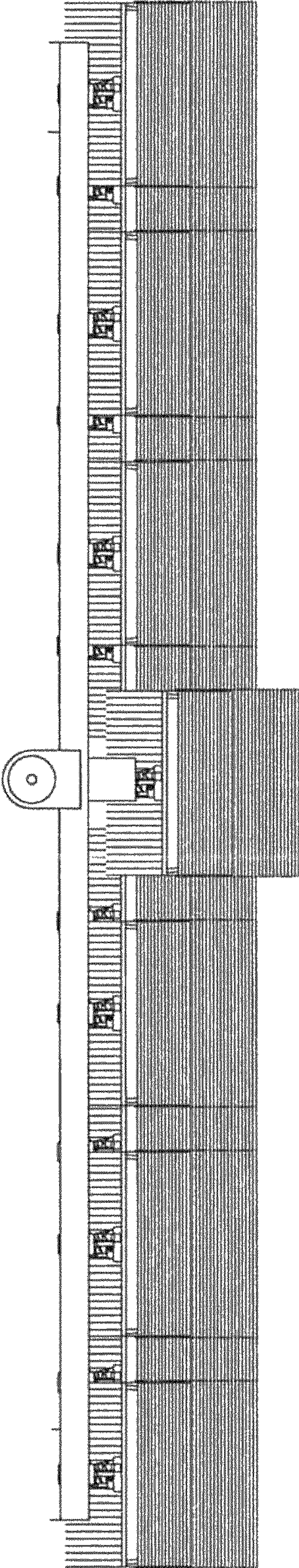


FIG 5

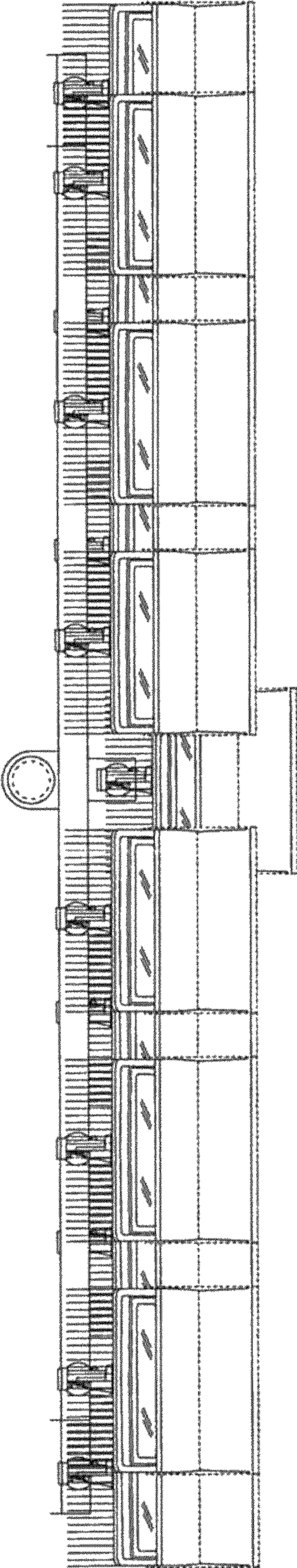


FIG 6

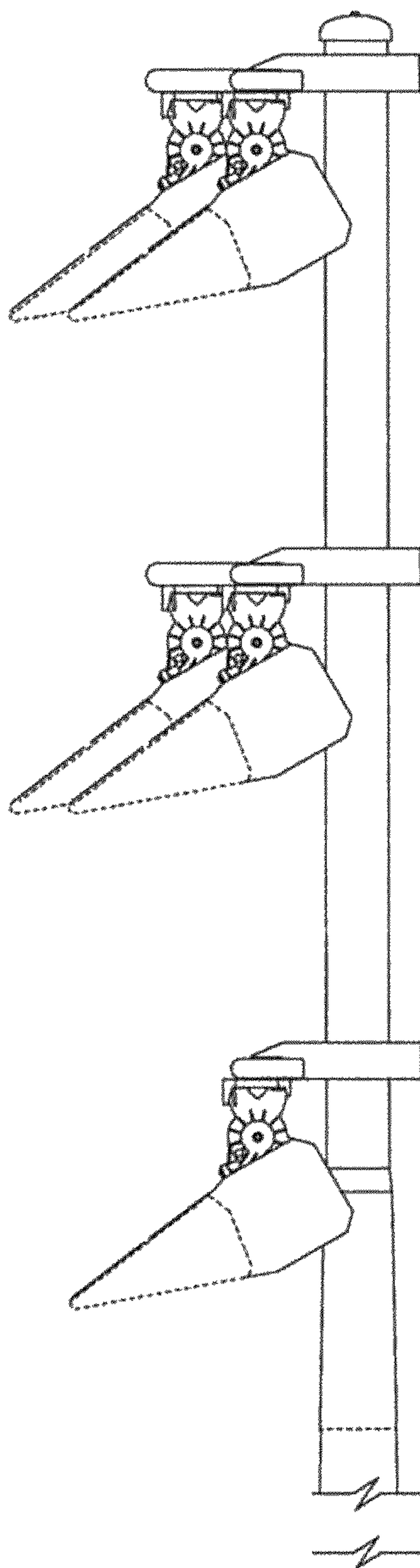


FIG 7

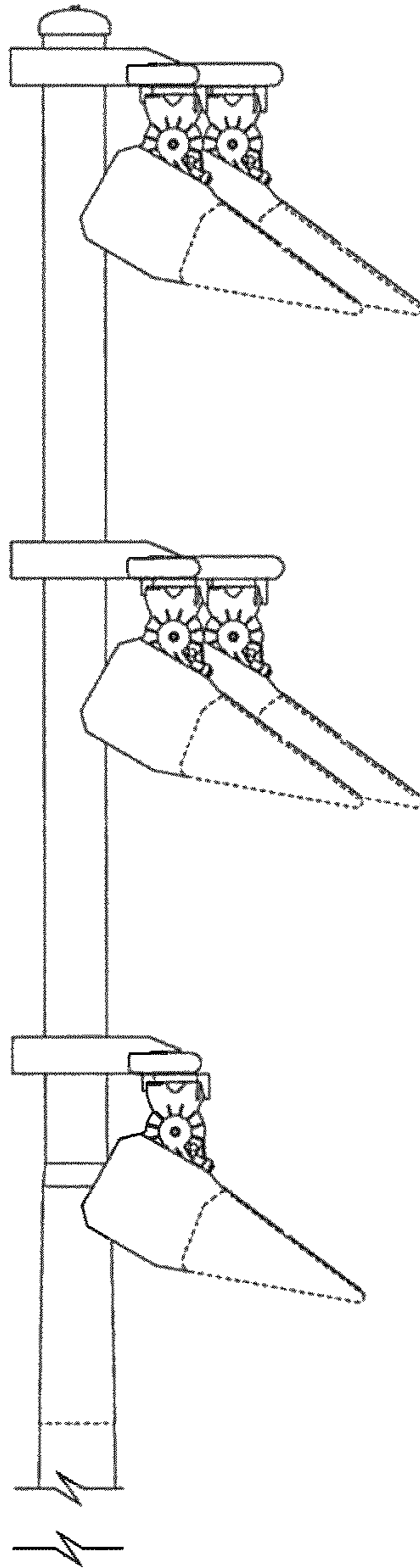


FIG 8

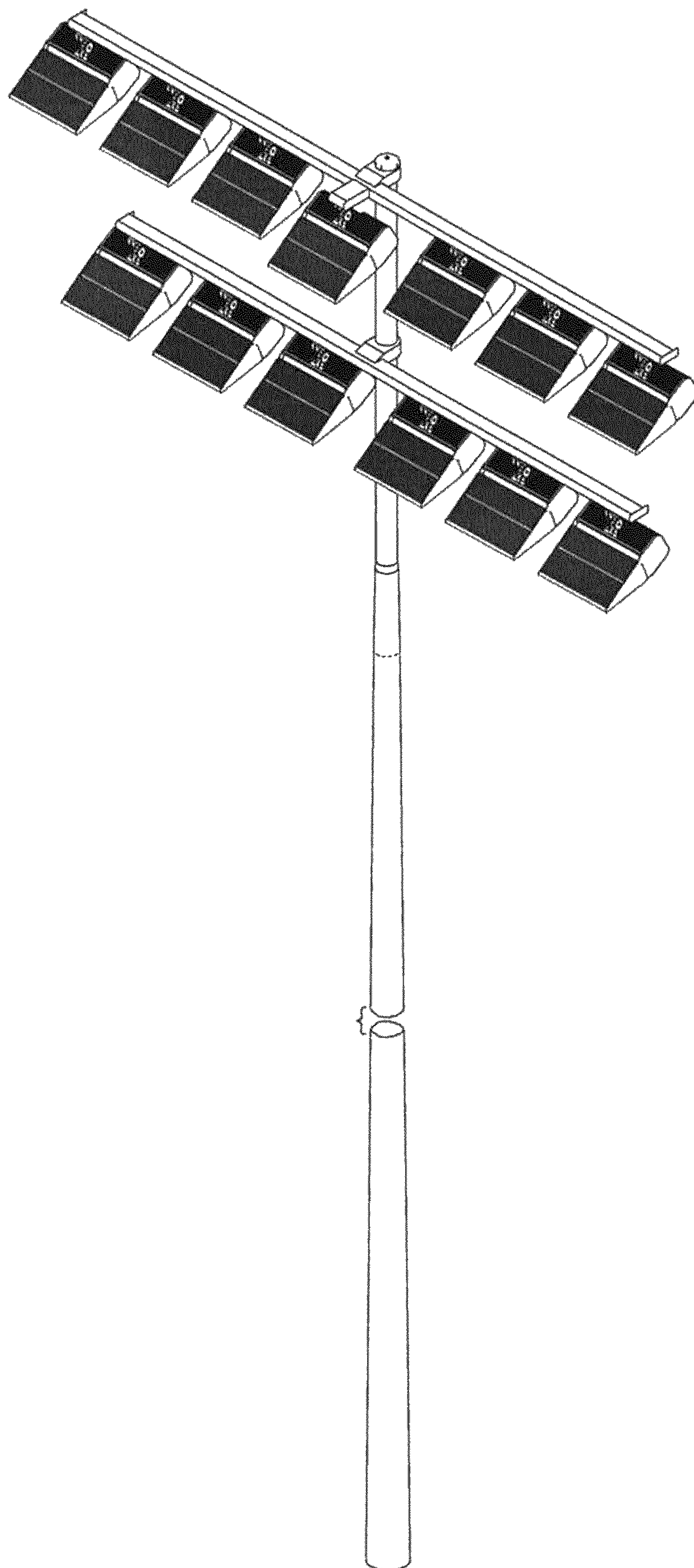


FIG 9

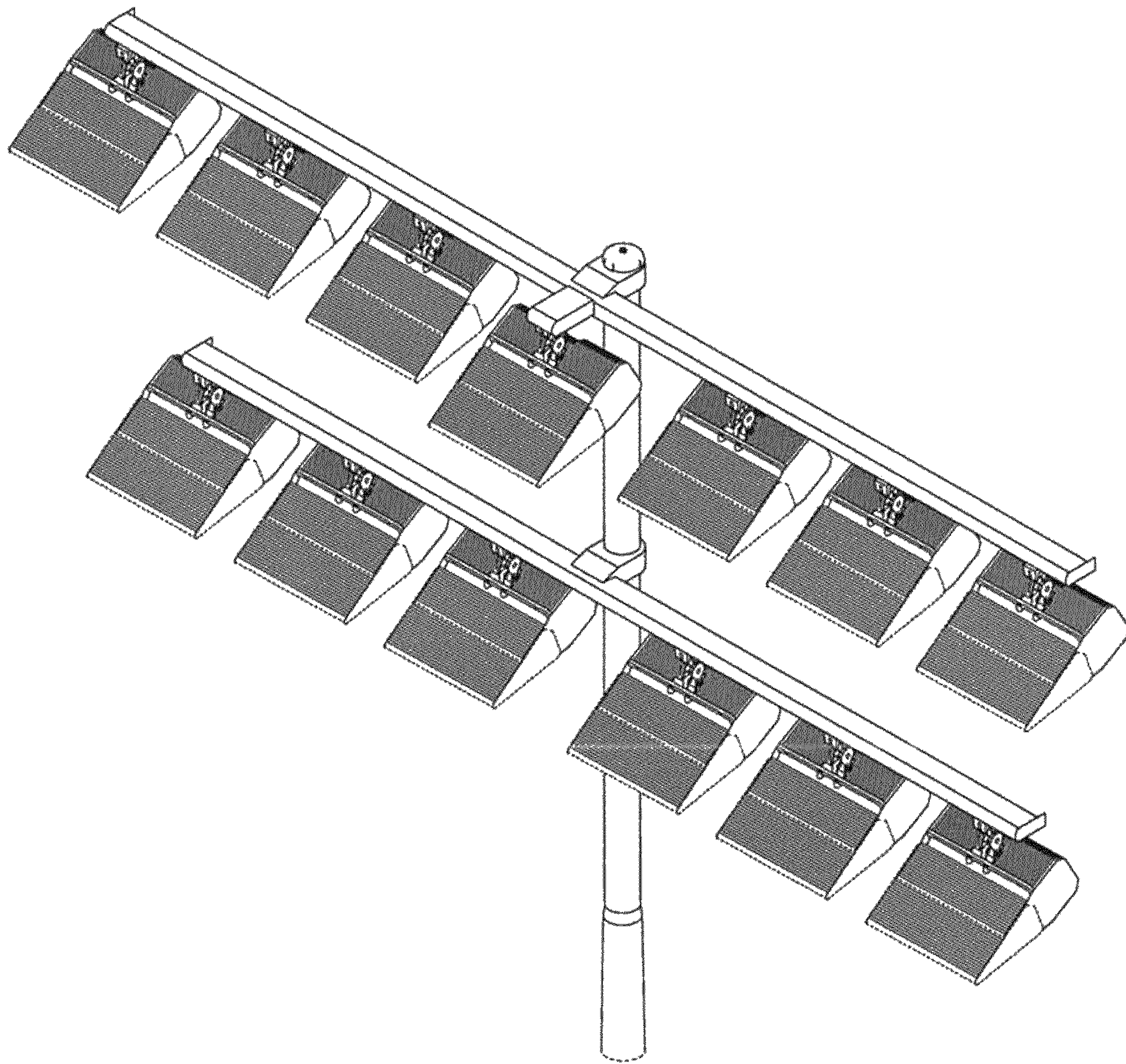


FIG 10

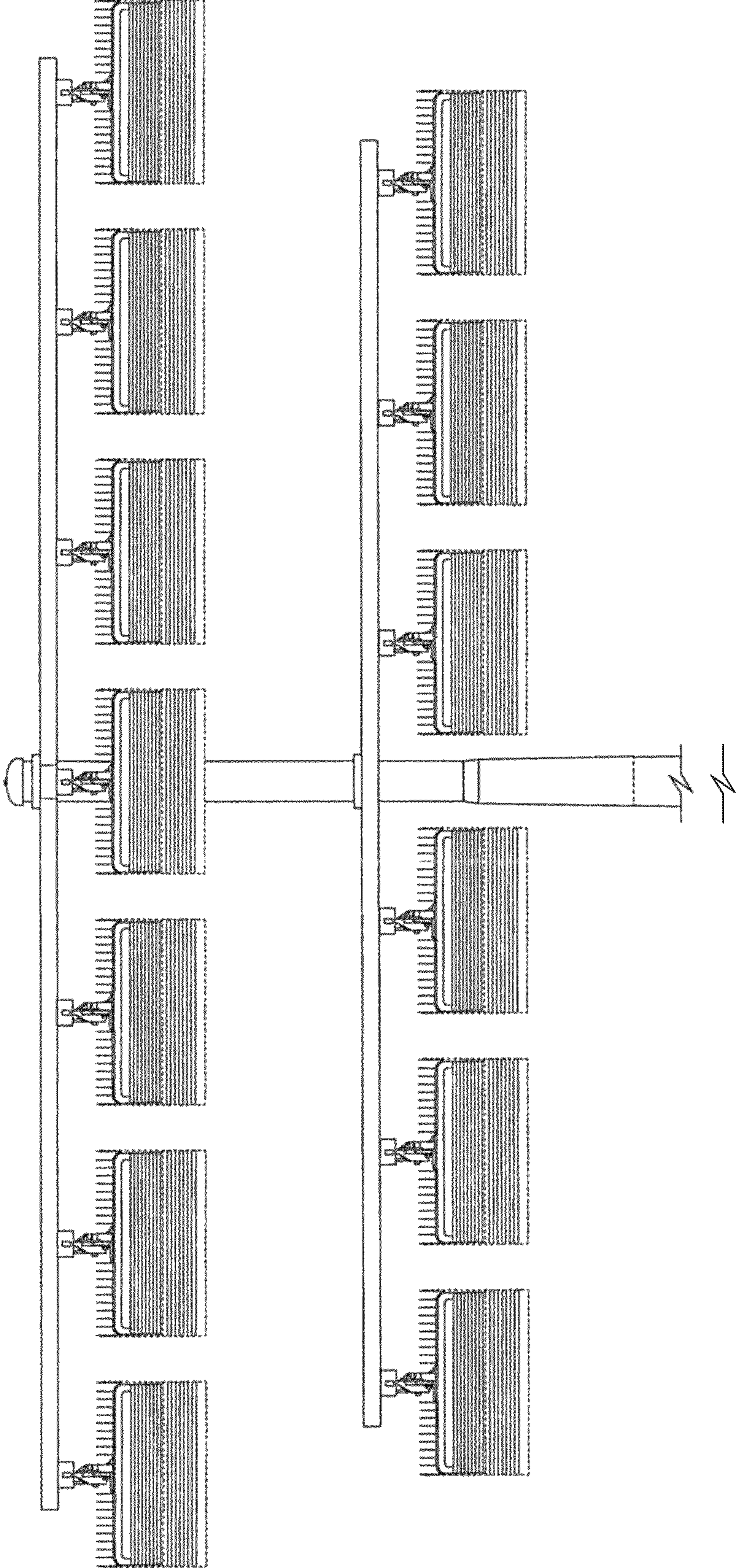


FIG 11

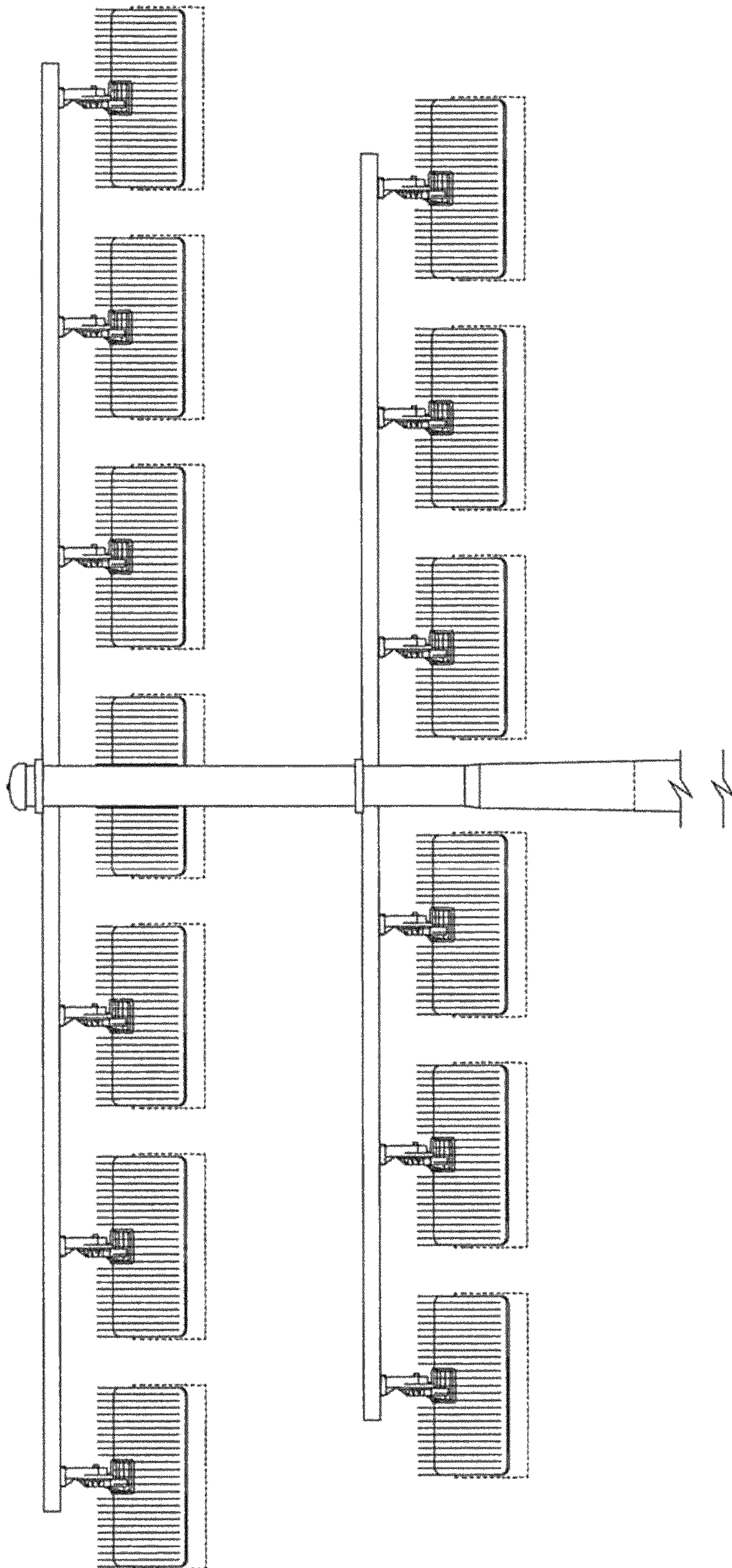


FIG 12

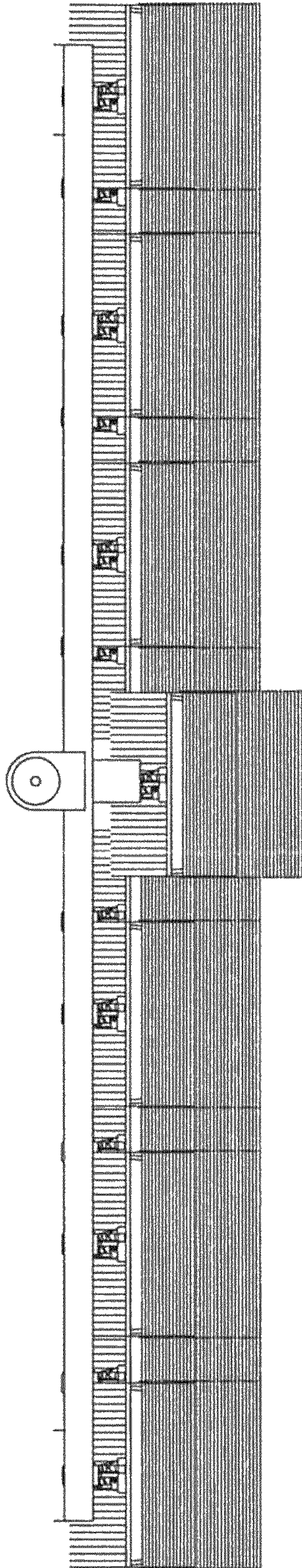


FIG 13

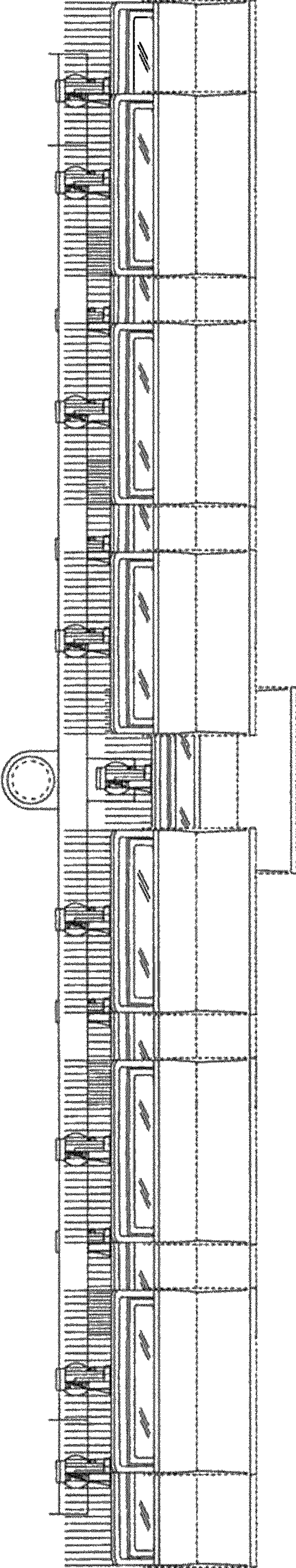


FIG 14

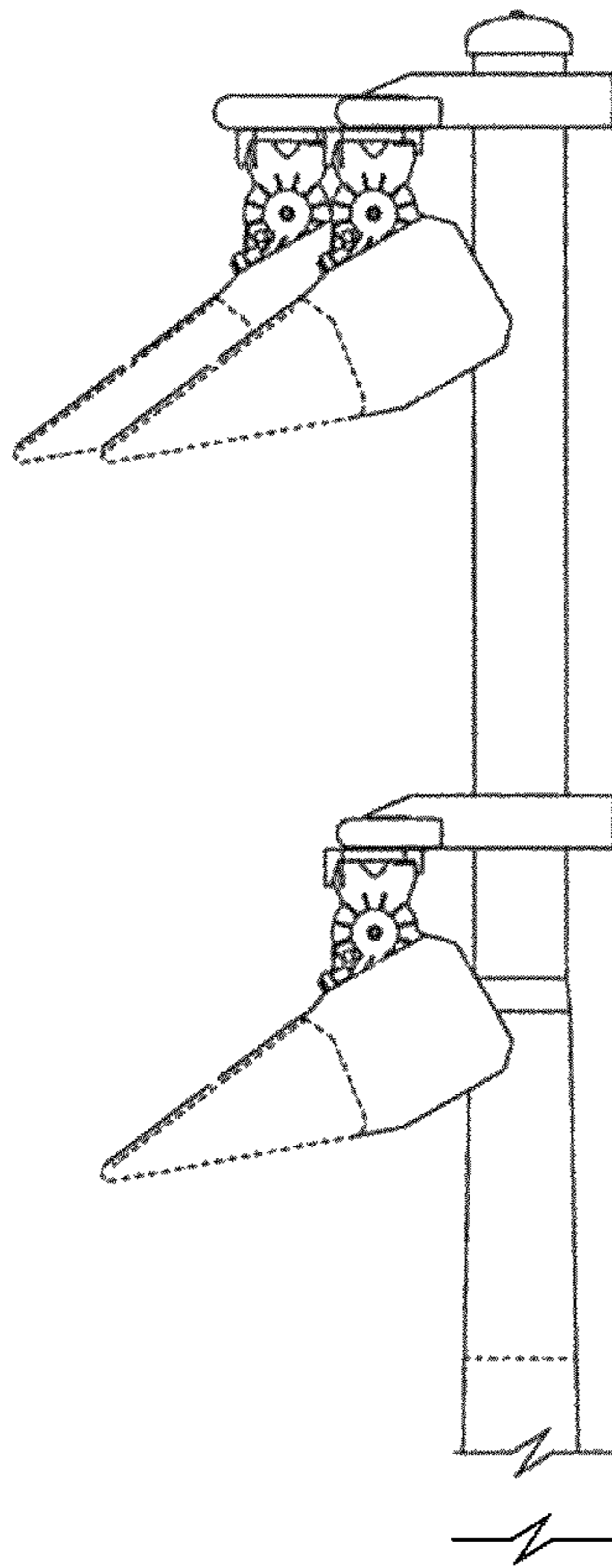


FIG 15

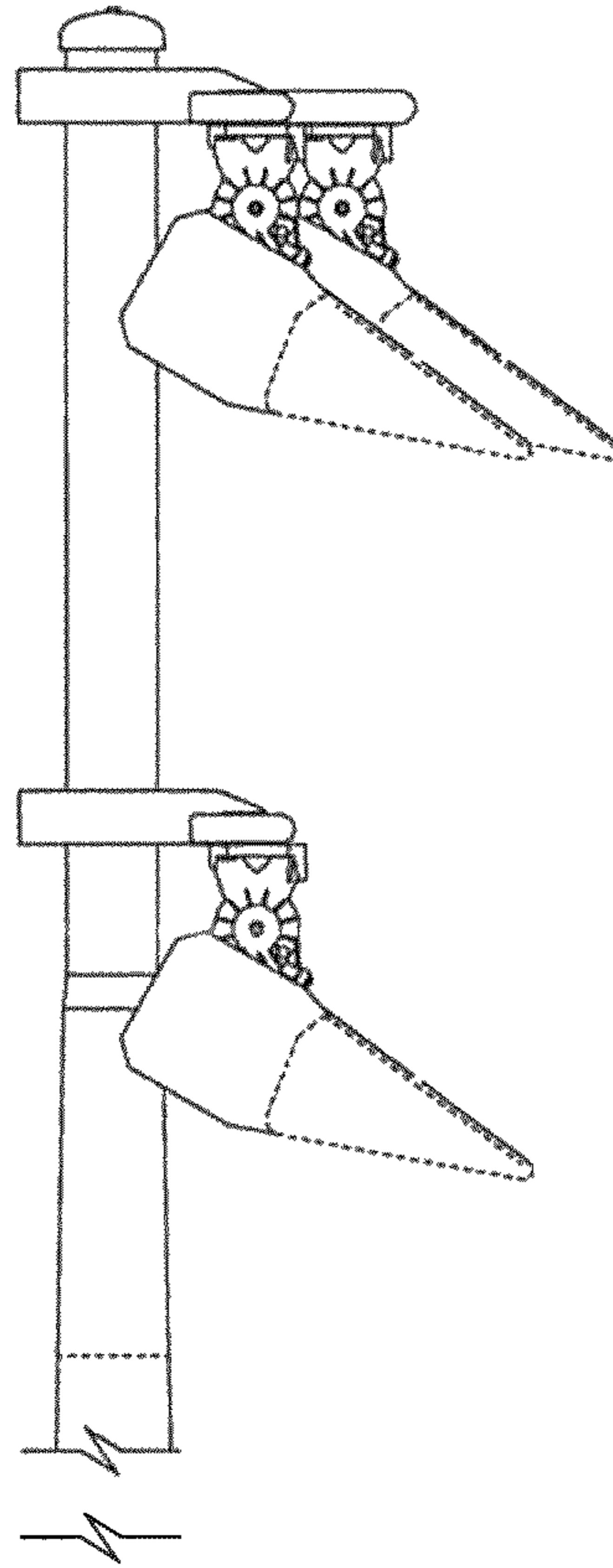


FIG 16

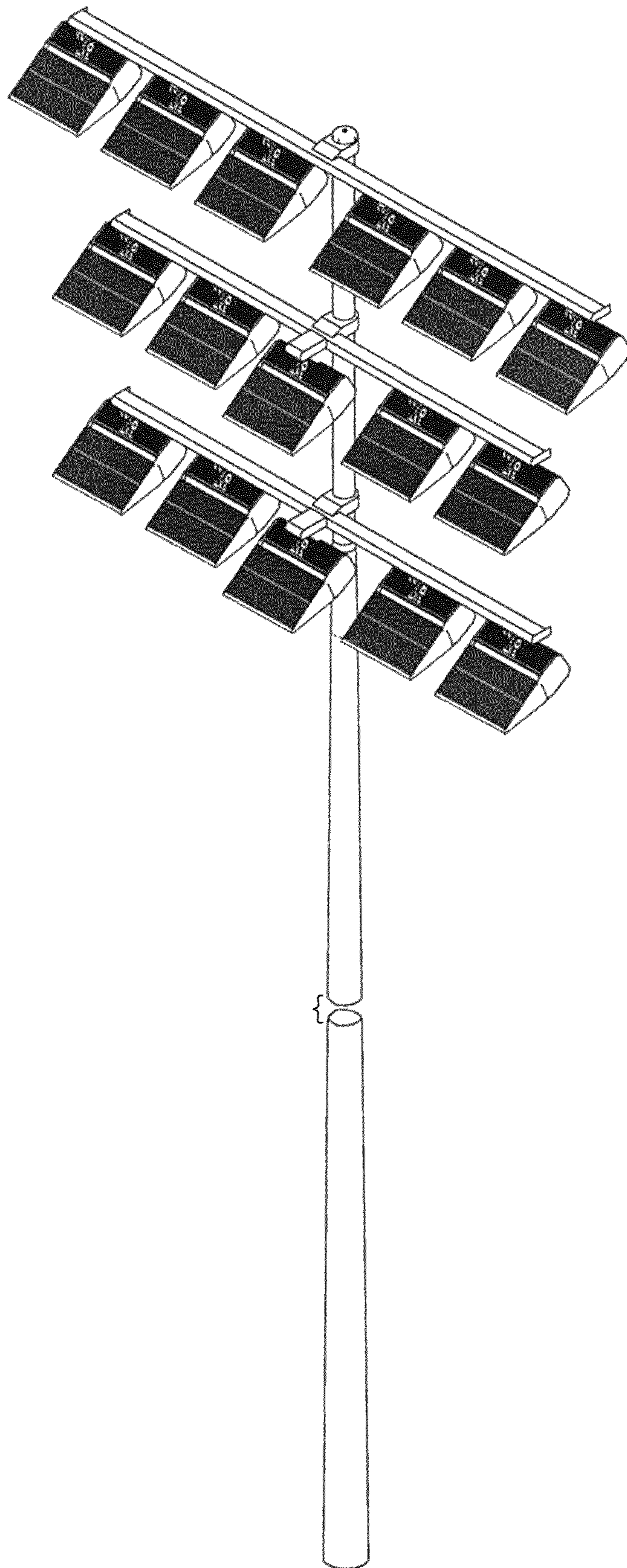


FIG 17

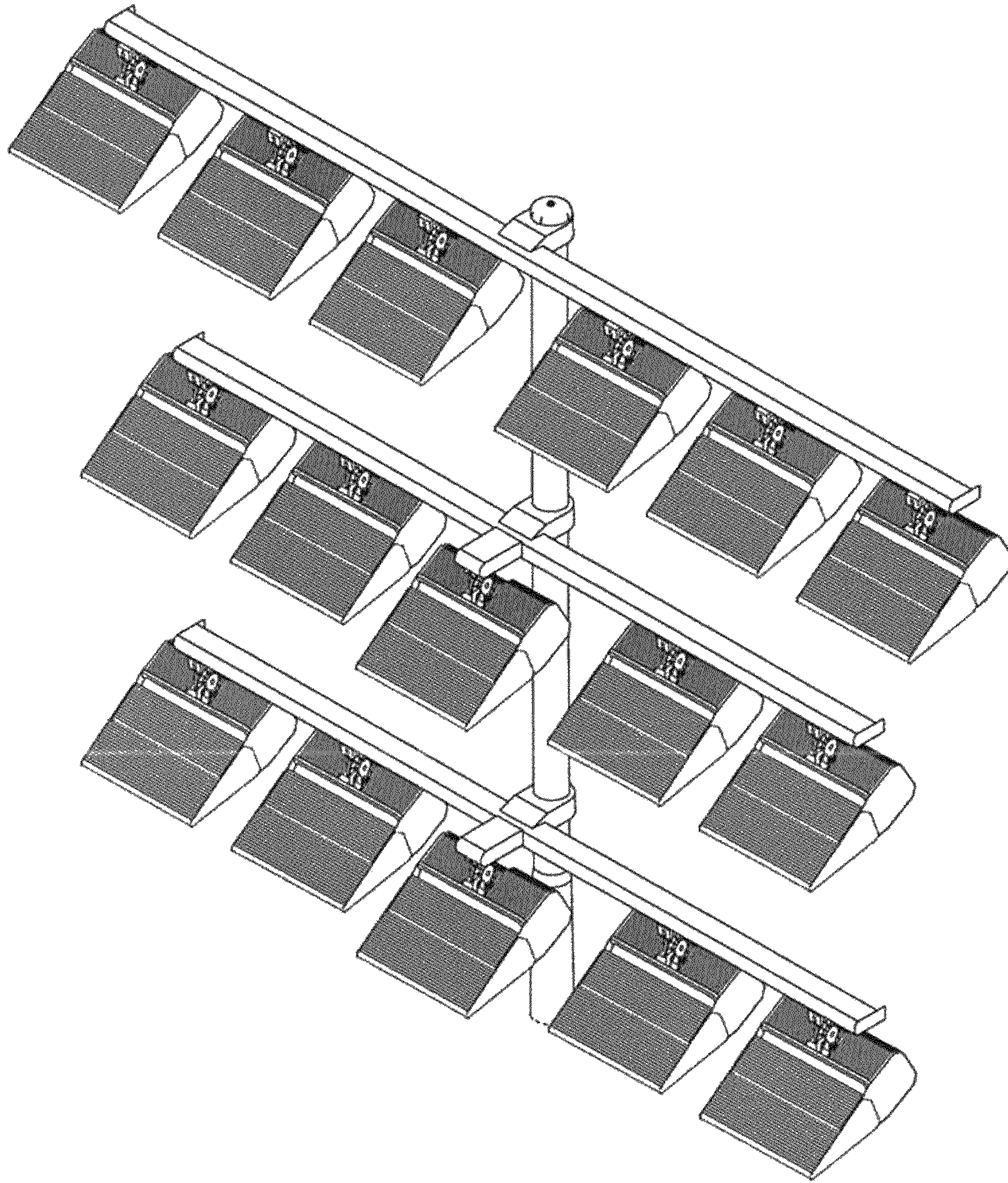


FIG 18

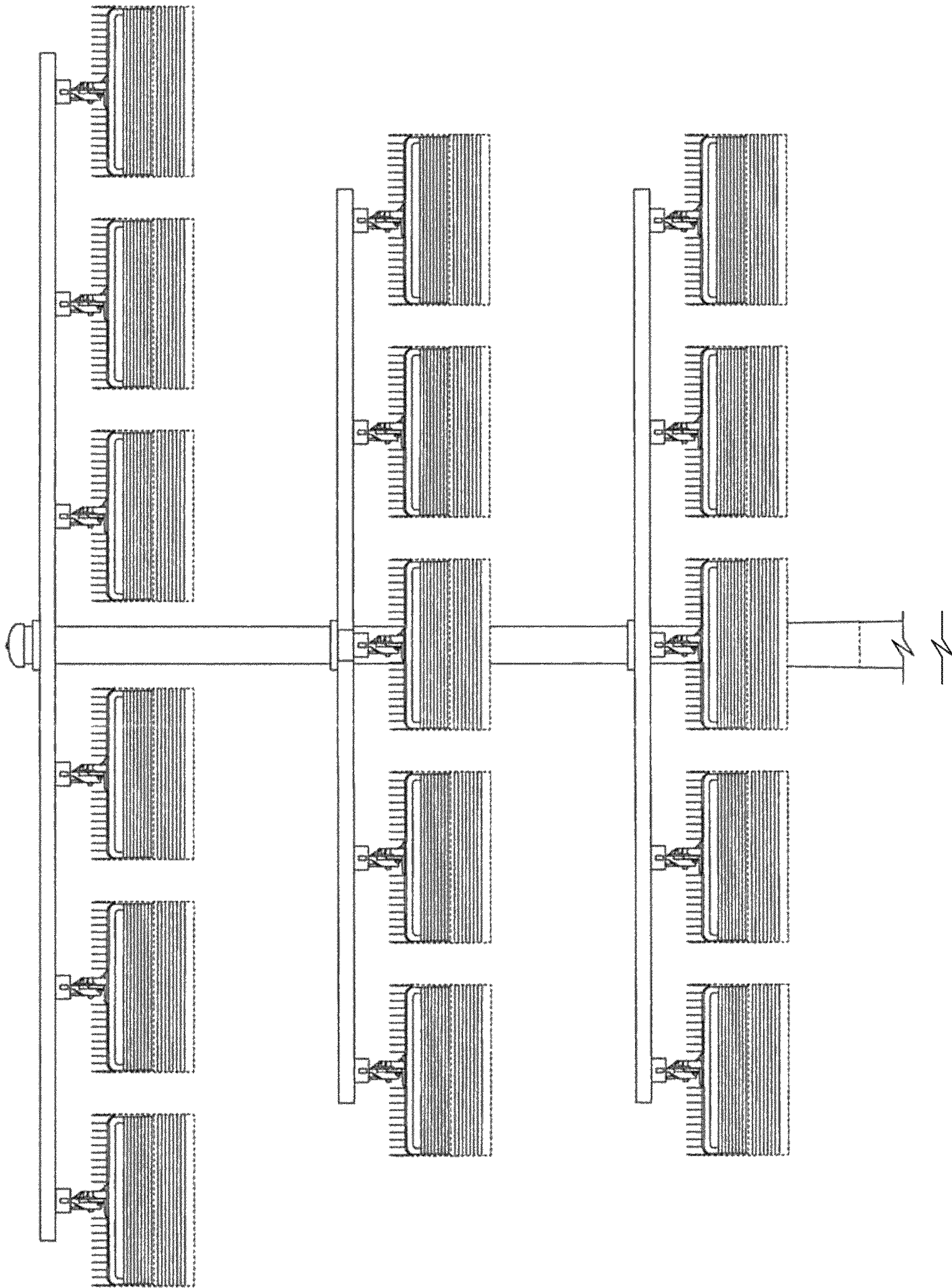


FIG 19

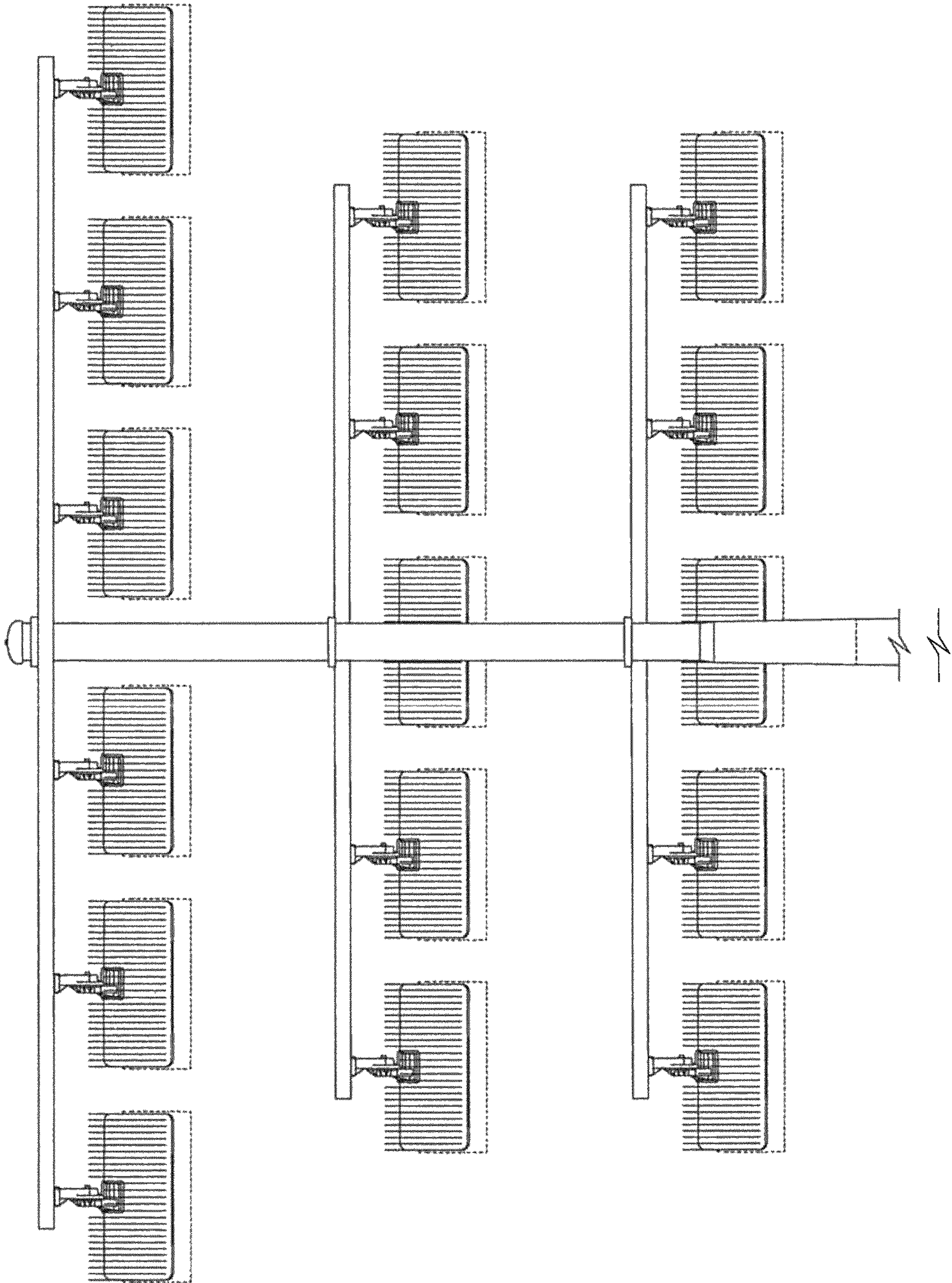


FIG 20

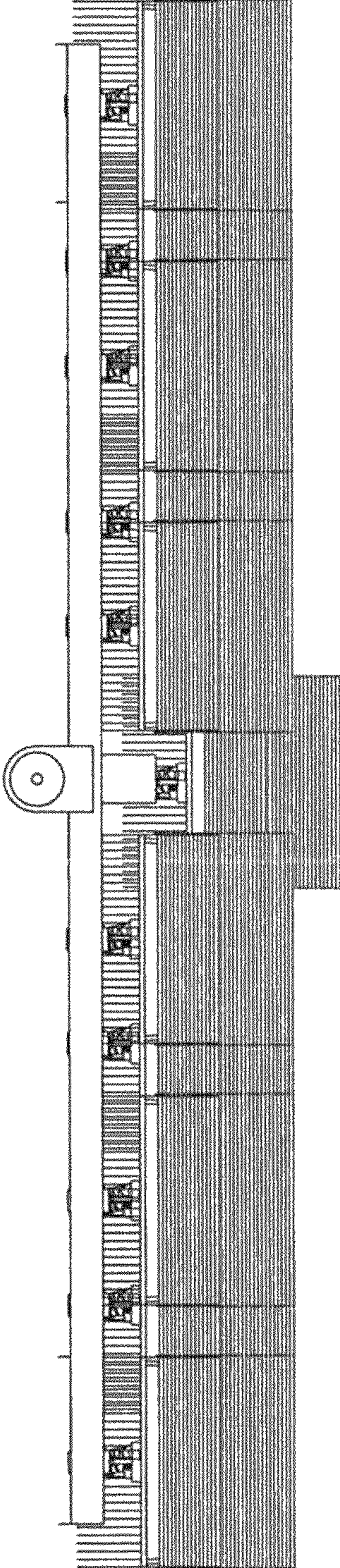


FIG 21

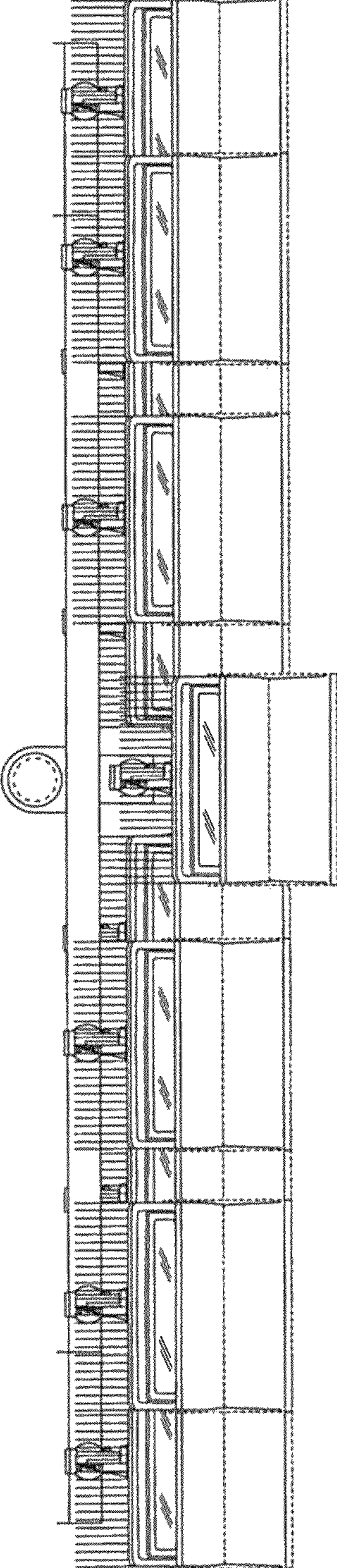


FIG 22

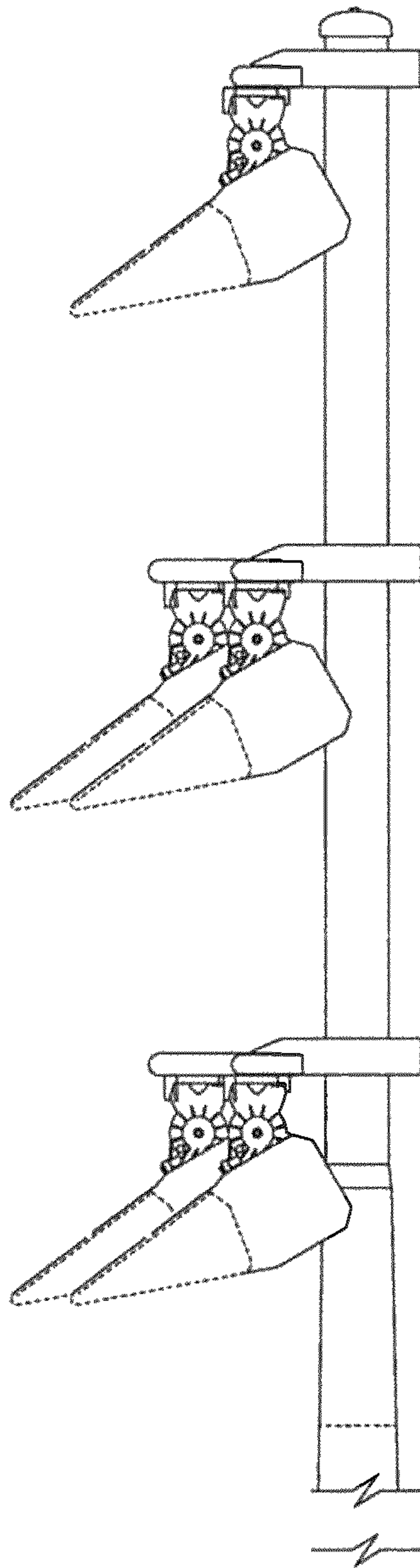


FIG 23

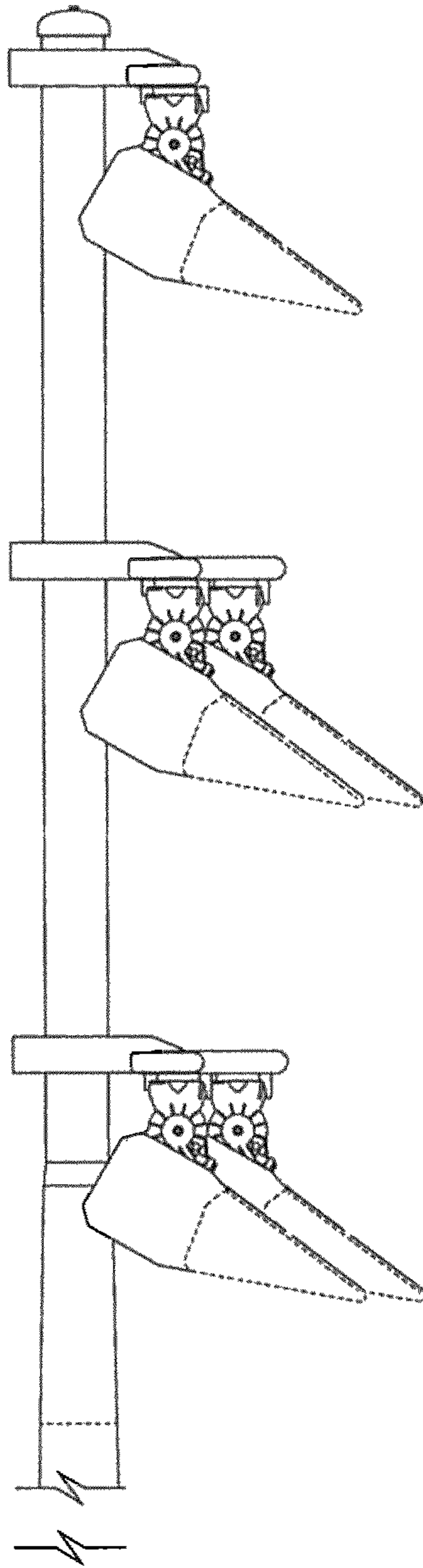


FIG 24

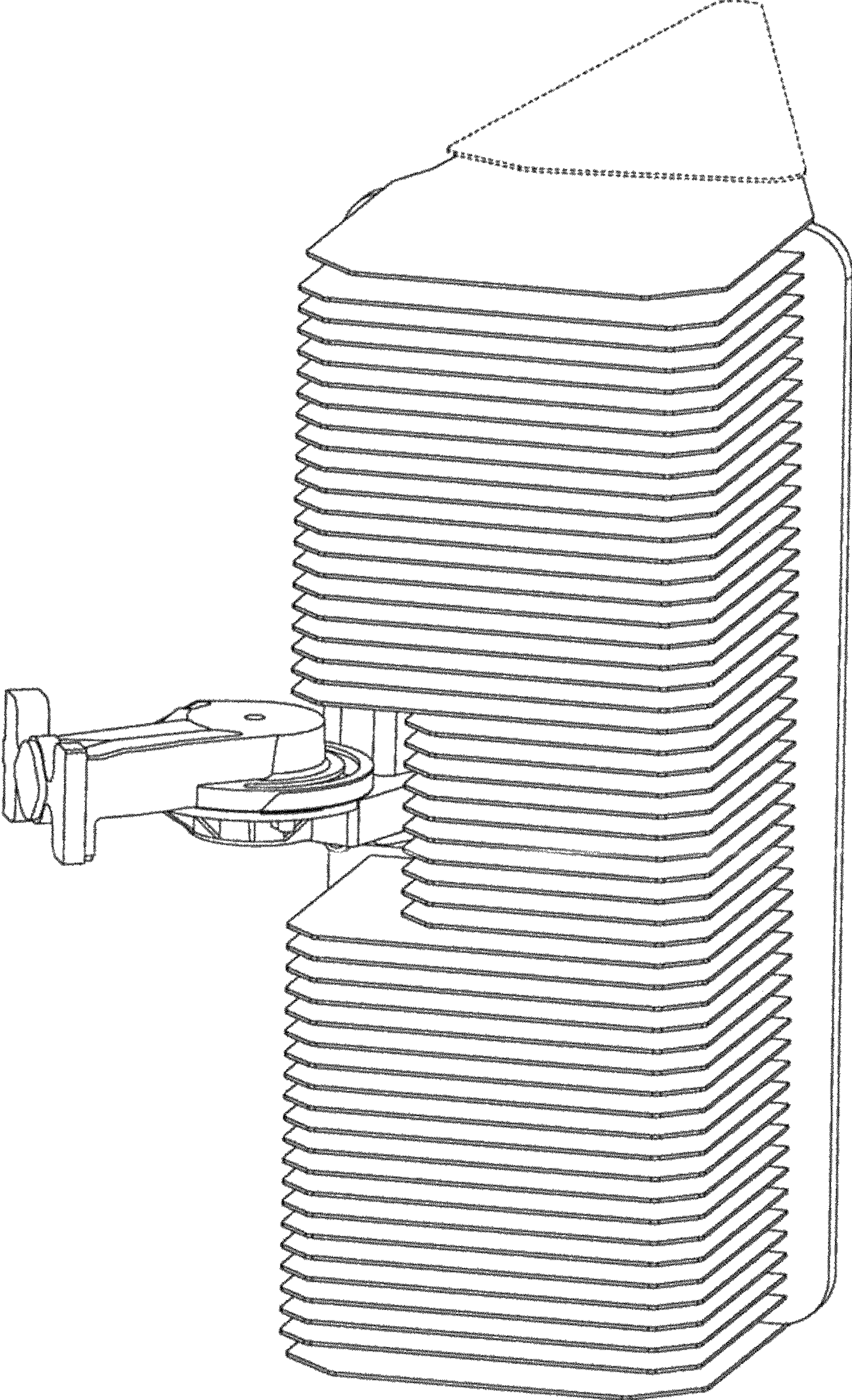


FIG 25

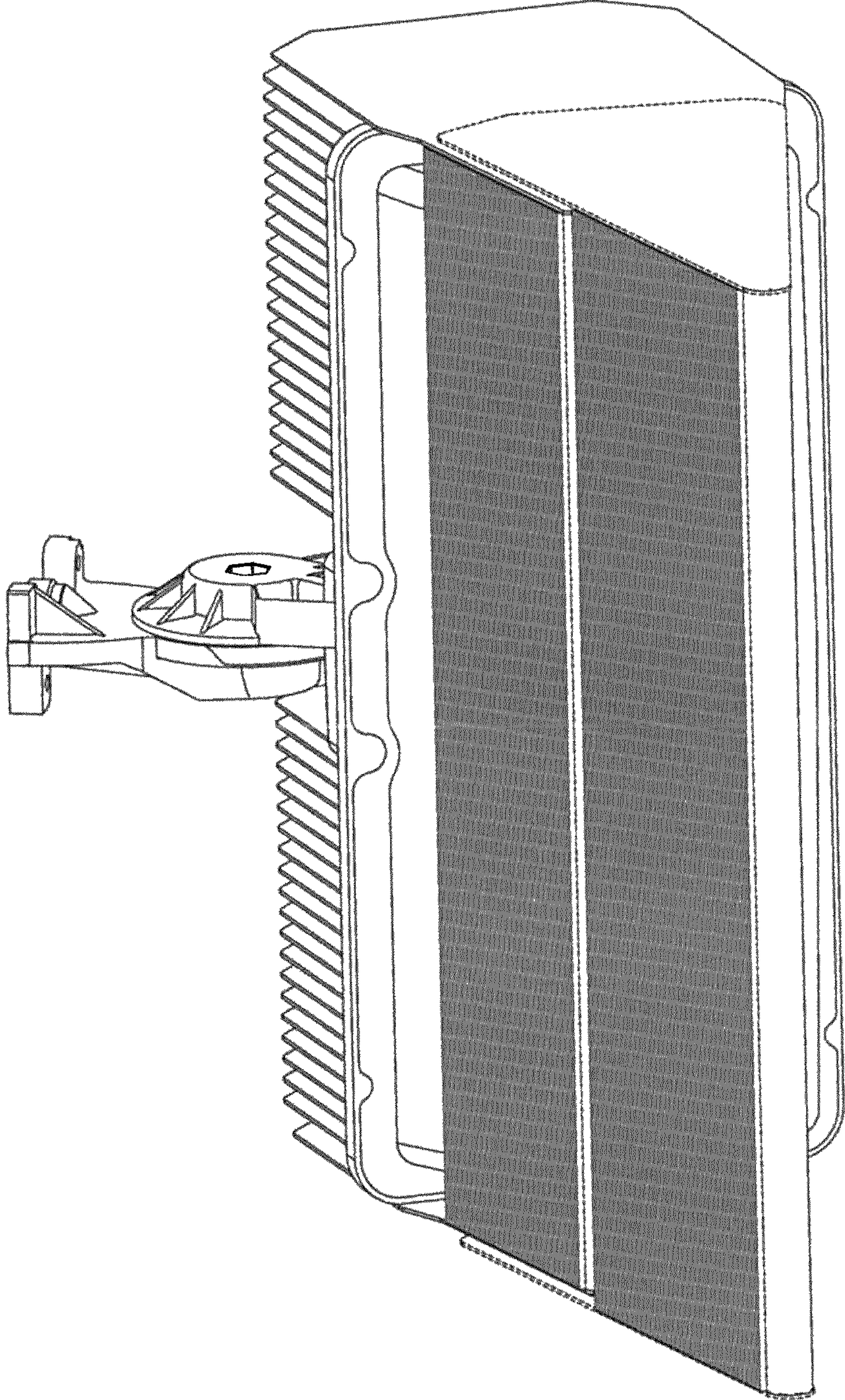


FIG 26