



US00D879346S

(12) **United States Design Patent**
Oguchi et al.

(10) **Patent No.:** **US D879,346 S**

(45) **Date of Patent:** **** Mar. 24, 2020**

(54) **SPOT LIGHT**

(71) Applicant: **MINEBEA MITSUMI Inc.**, Nagano (JP)

(72) Inventors: **Shinya Oguchi**, Chofu (JP); **Shinichi Fujisawa**, Akiruno (JP)

(73) Assignee: **MINEBEA MITSUMI INC.**, Nagano (JP)

(**) Term: **15 Years**

(21) Appl. No.: **29/662,985**

(22) Filed: **Sep. 11, 2018**

(30) **Foreign Application Priority Data**

Mar. 15, 2018 (JP) 2018-005412

(51) **LOC (12) Cl.** **26-05**

(52) **U.S. Cl.**
USPC **D26/63; D26/124**

(58) **Field of Classification Search**
USPC D26/24, 25, 35, 60, 61, 63, 65, 70, 72,
D26/81, 83, 92, 102, 11, 118, 124;
D16/239; D14/126

CPC F21V 21/02; F21V 21/06; F21V 21/14;
F21V 21/26; F21V 21/30; F21V 5/007;
F21V 14/00; F21V 14/02; F21V 14/04;
F21V 14/06; F21W 2131/10; F21W
2131/40; F21W 2131/107; F21W
2131/109; F21W 2131/401-407; F21W
2131/1005; F21S 8/00; F21S 8/04; F21S
8/08; F21S 8/003; F21S 8/043

See application file for complete search history.

(56) **References Cited**

U.S. PATENT DOCUMENTS

D331,294 S * 11/1992 Wereley D26/63
D373,437 S * 9/1996 Kira D26/63

D414,888 S * 10/1999 McNatt D26/63
D415,301 S * 10/1999 Stacy D26/63
D491,684 S * 6/2004 McInnis D26/63
D507,668 S * 7/2005 Kwong D26/24
D538,959 S * 3/2007 Kosche D26/63
D566,873 S * 4/2008 Grundl D26/63
D568,518 S * 5/2008 Schmidt D26/63
D584,843 S * 1/2009 Kosche D26/66
D585,589 S * 1/2009 Alexander D26/118
D587,832 S * 3/2009 Bergmann D26/63
D630,361 S * 1/2011 Rashidi D26/63
D640,816 S * 6/2011 You D26/63
D670,846 S * 11/2012 Ramirez D26/63
D787,730 S * 5/2017 Gines D26/63
D795,479 S * 8/2017 Goetz-Schaefer D26/63
D799,093 S * 10/2017 Terumichi D26/63

(Continued)

Primary Examiner — Wan Laymon

Assistant Examiner — Clint A Samuel

(74) *Attorney, Agent, or Firm* — Pearne & Gordon LLP

(57) **CLAIM**

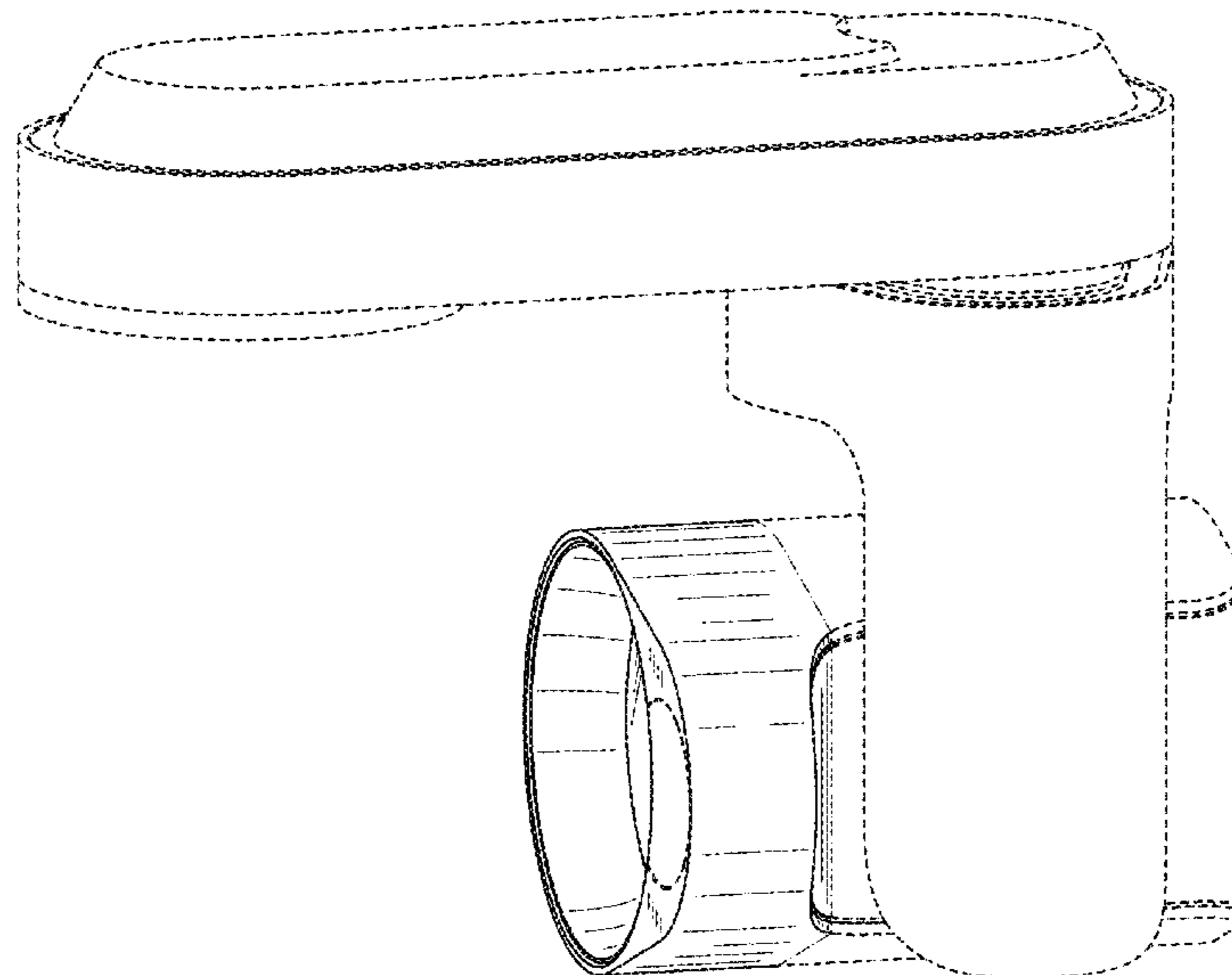
The ornamental design for a spot light, as shown and described.

DESCRIPTION

FIG. 1 is a front, top and left-side perspective view of a spot light showing our new design;
FIG. 2 is a front, bottom and left-side perspective view thereof;
FIG. 3 is a front elevational view thereof;
FIG. 4 is rear elevational view thereof;
FIG. 5 is a left-side elevational view thereof;
FIG. 6 is a right-side elevational view thereof;
FIG. 7 is a top plan view thereof; and,
FIG. 8 is bottom plan view thereof.

The broken lines depict portions of the spot light that form no part of the claimed design. The dot-dash boundary lines define the boundary of the claimed design and form no part of the claimed design.

1 Claim, 8 Drawing Sheets



(56)

References Cited

U.S. PATENT DOCUMENTS

D800,363	S	*	10/2017	Terumichi	D26/63
D806,303	S	*	12/2017	Matsui	D26/65
D806,925	S	*	1/2018	Hirano	D26/65
D812,279	S	*	3/2018	Price	D26/63
D812,280	S	*	3/2018	Lechtenberg	D26/63
D821,624	S	*	6/2018	Huyghe	D26/63
D821,625	S	*	6/2018	Couvreur	D26/63
D838,398	S	*	1/2019	Joye	D26/63
D840,574	S	*	2/2019	Brynjolfsson	D26/63
D846,791	S	*	4/2019	Liang	D26/113
2013/0027923	A1	*	1/2013	Ramirez	F21S 8/03 362/208

* cited by examiner

FIG. 1

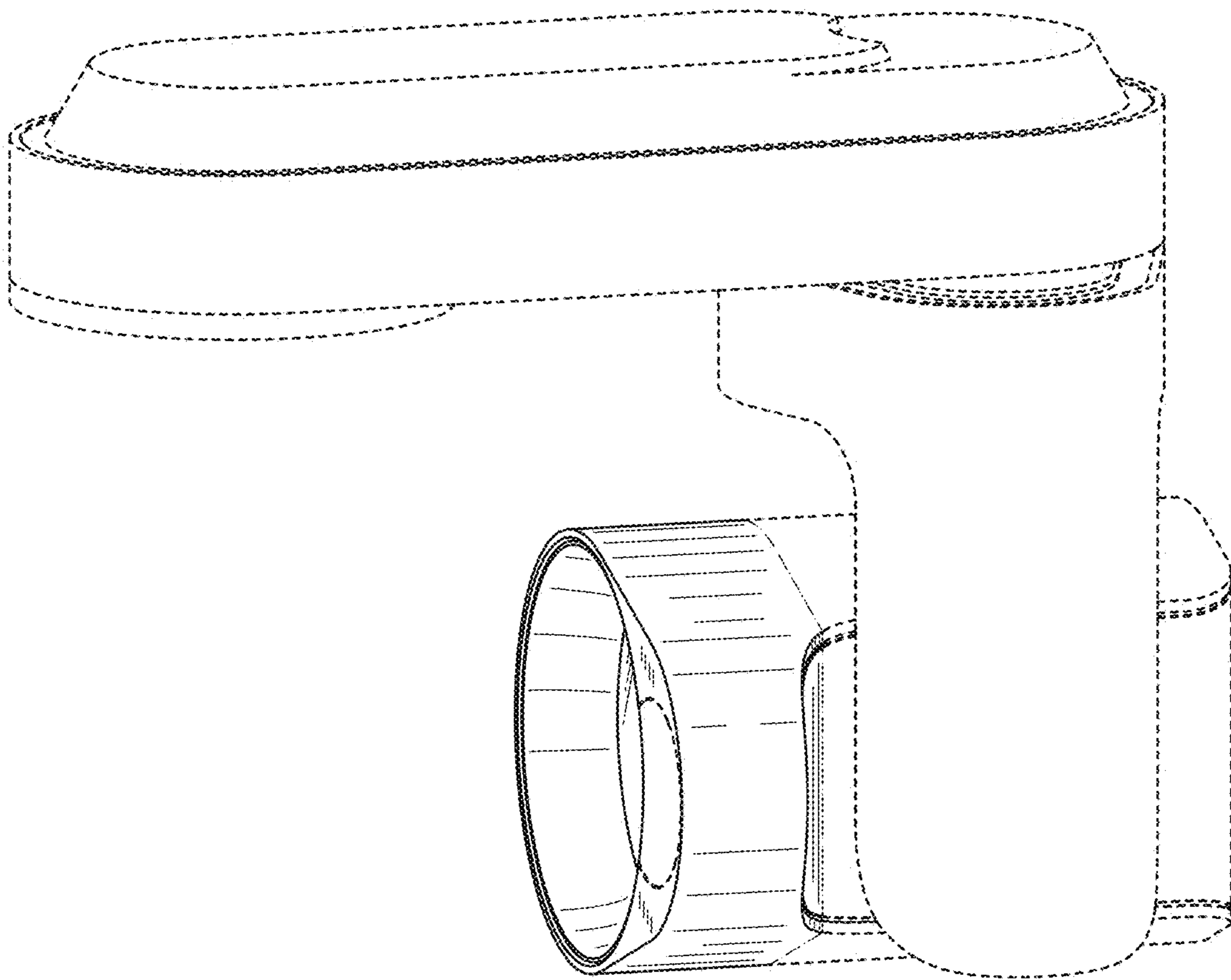


FIG. 2

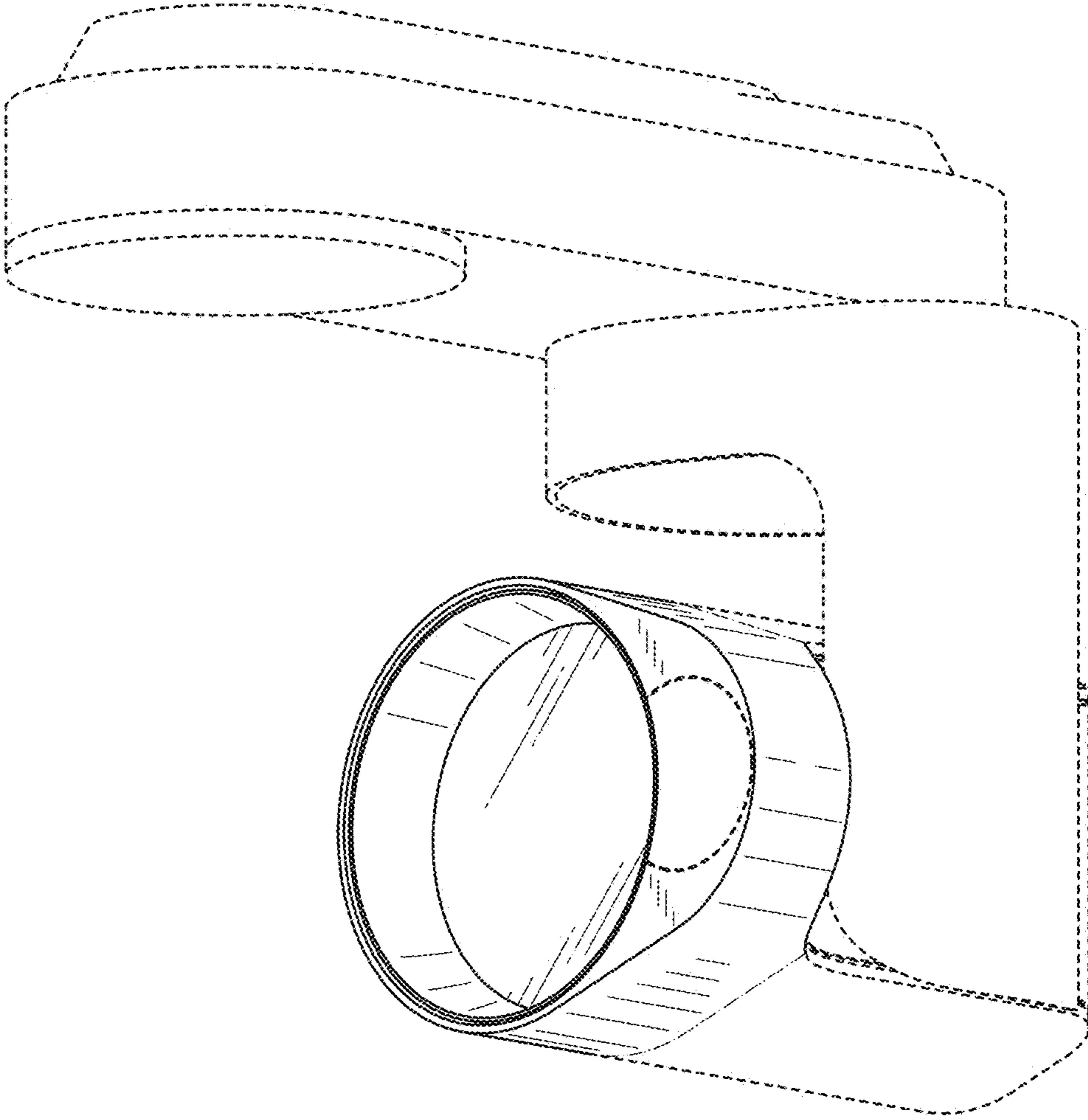


FIG. 3

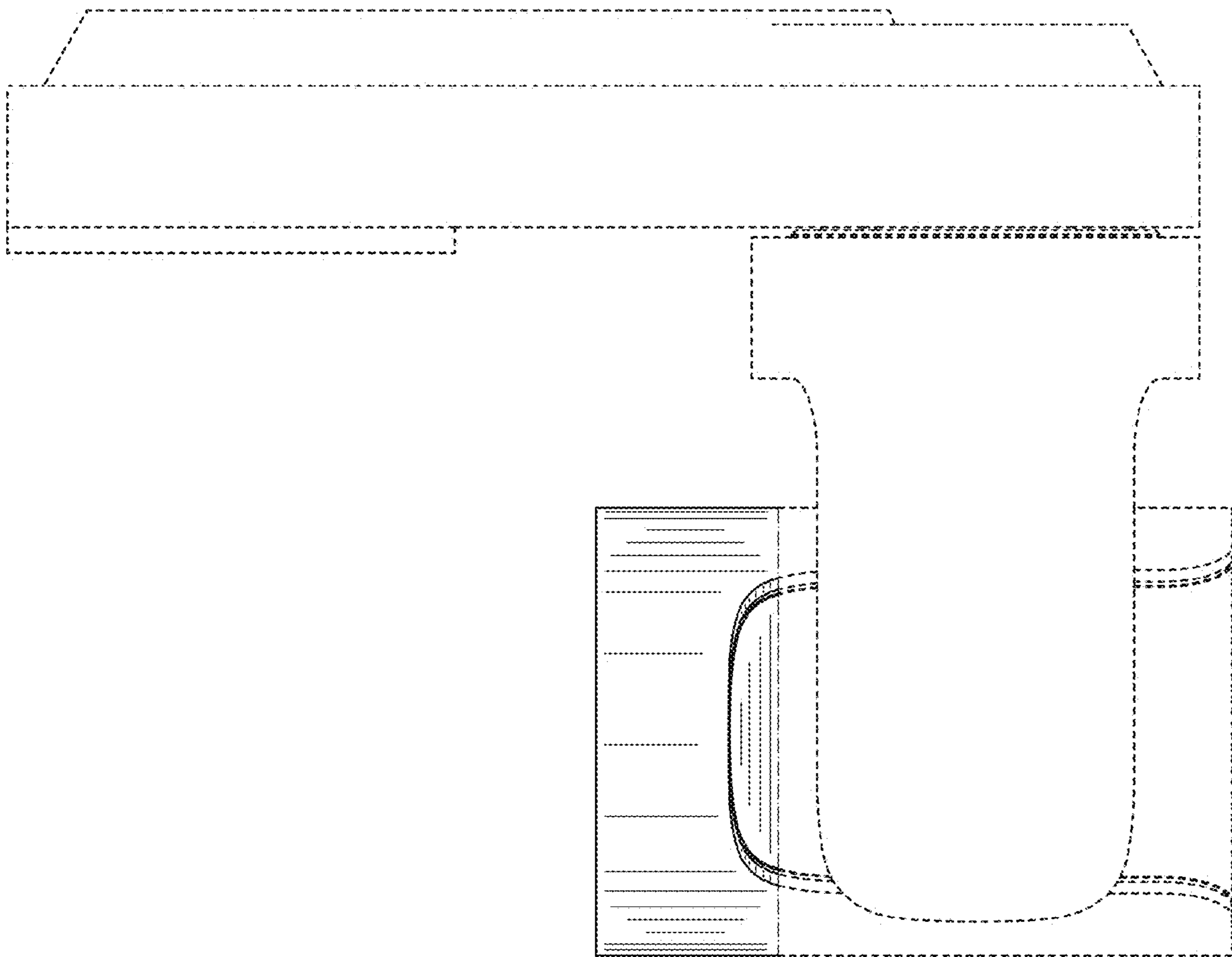


FIG. 4

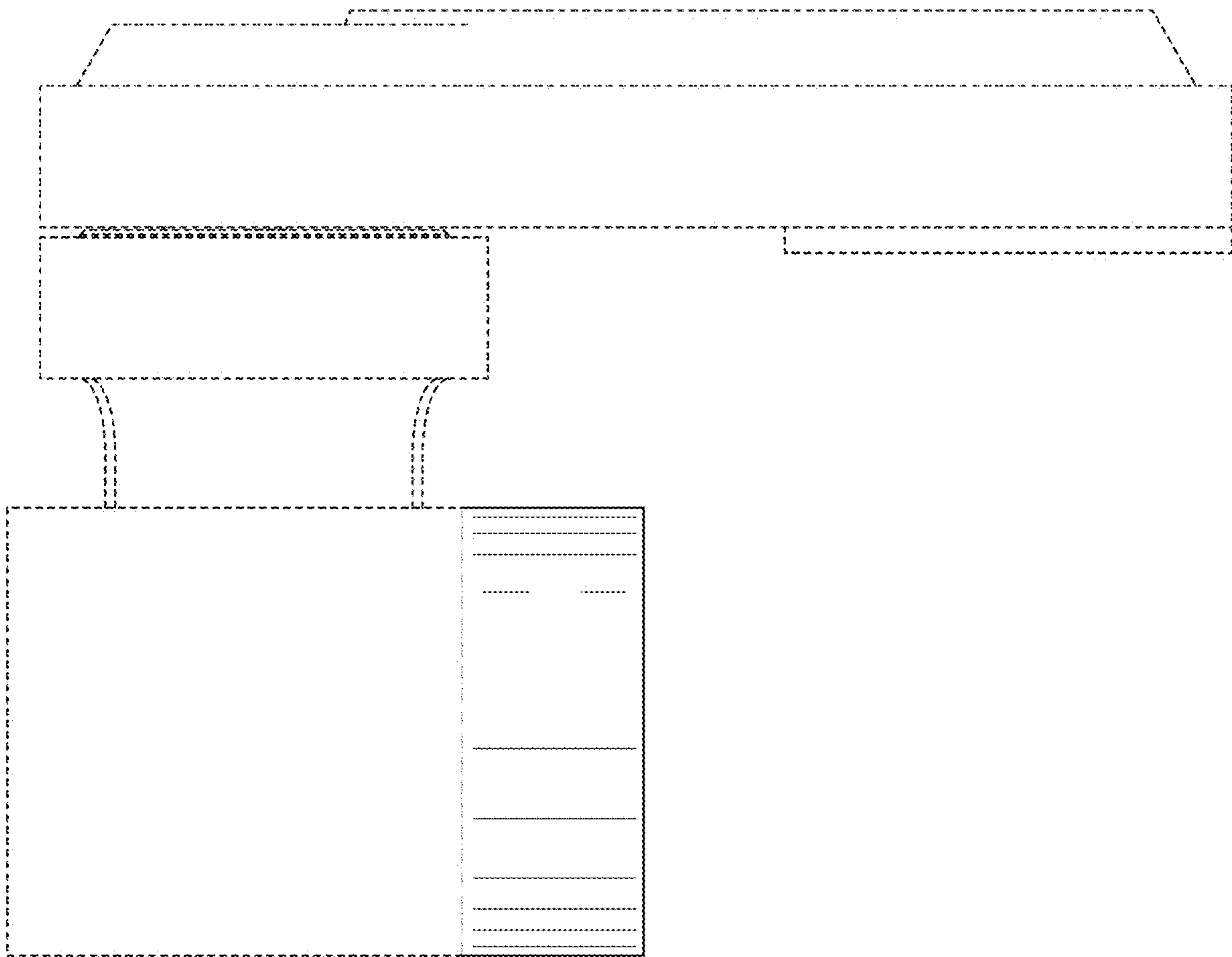


FIG. 5

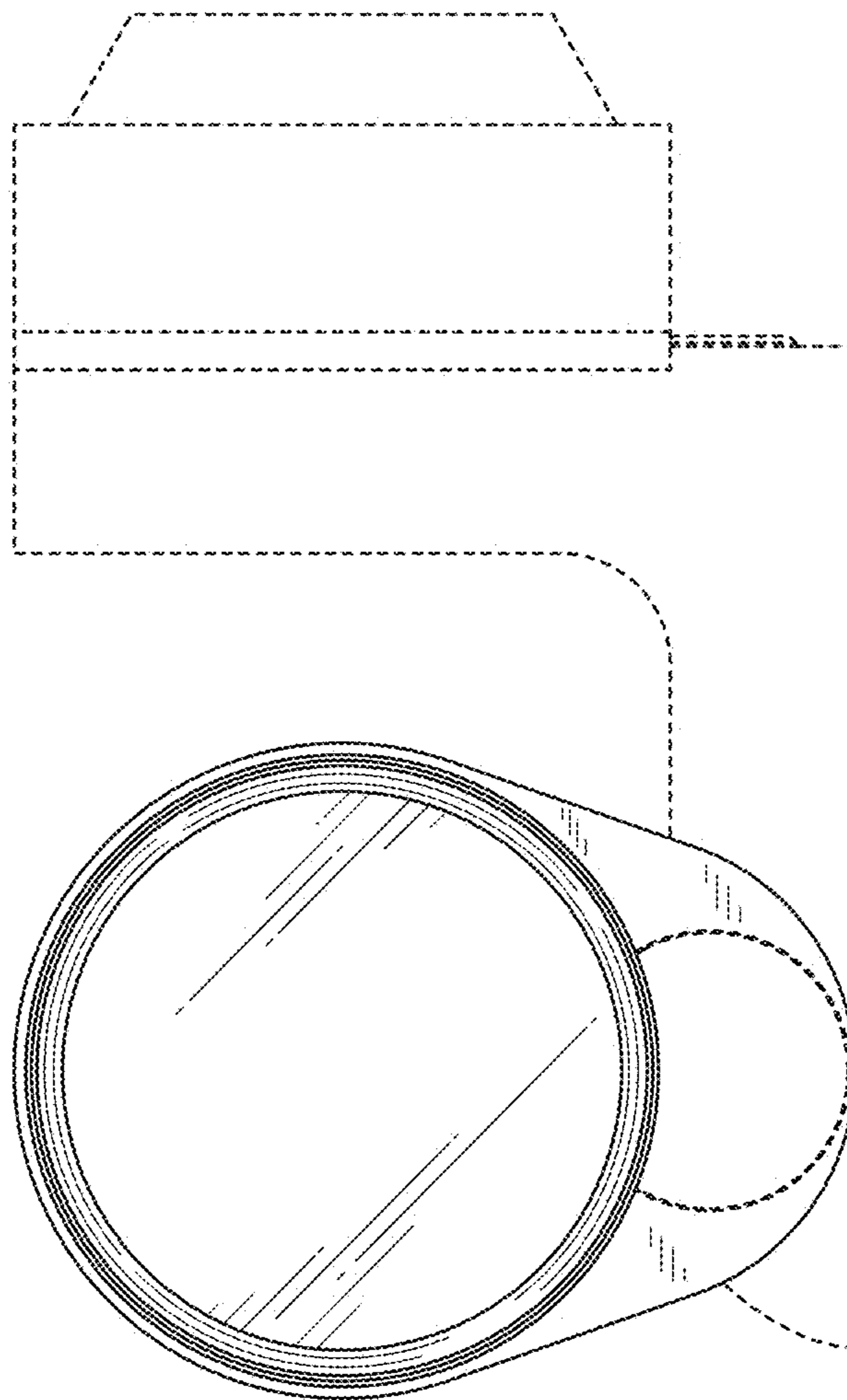


FIG. 6

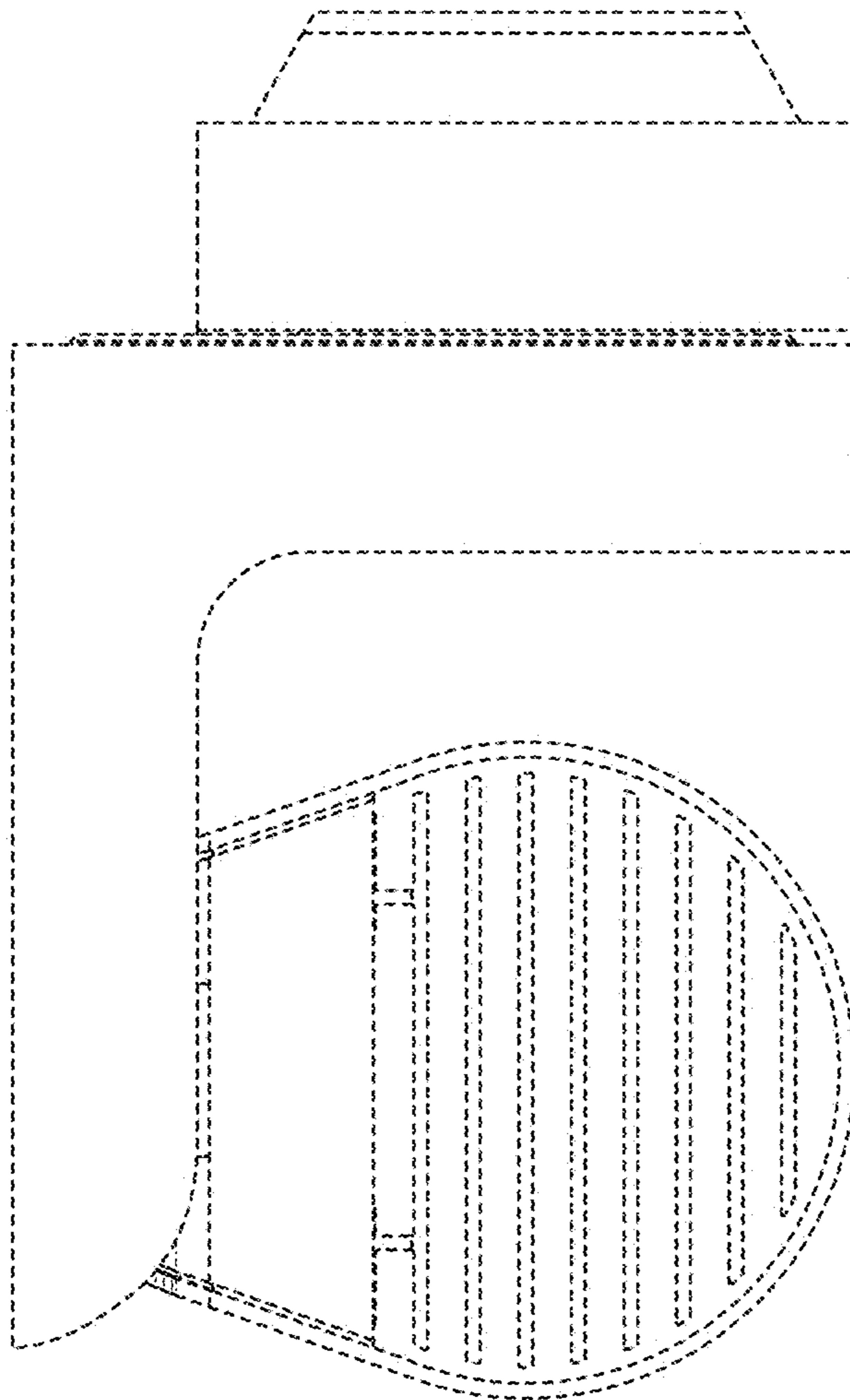


FIG. 7

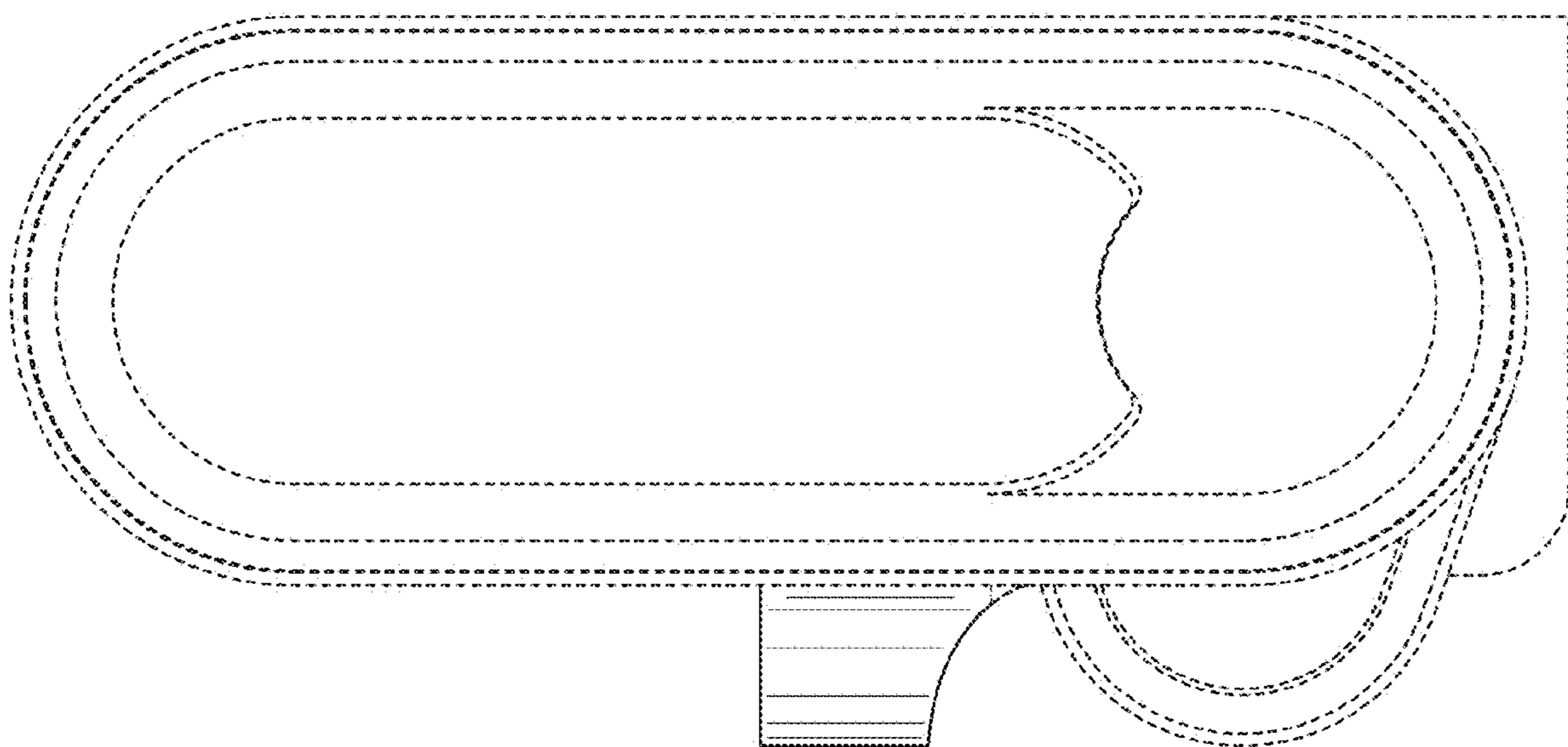


FIG. 8

