



US00D879345S

(12) **United States Design Patent**
Chen

(10) **Patent No.:** **US D879,345 S**
(45) **Date of Patent:** **** Mar. 24, 2020**

- (54) **FLASHLIGHT**
- (71) Applicant: **E. MISHAN & SONS, INC.**, New York, NY (US)
- (72) Inventor: **Qinan Chen**, Zhejiang Province (CN)
- (73) Assignee: **E. MISHAN & SONS, INC.**, New York, NY (US)
- (**) Term: **15 Years**
- (21) Appl. No.: **29/635,693**
- (22) Filed: **Feb. 1, 2018**
- (51) **LOC (12) Cl.** **26-02**
- (52) **U.S. Cl.**
USPC **D26/49; D26/40**
- (58) **Field of Classification Search**
USPC D26/37-51
CPC F21L 2003/00; F21L 4/00; F21L 4/005; F21L 4/02; F21L 4/025; F21L 4/027; F21L 4/04; F21L 4/08; F21L 2005/00; F21L 7/00; F21L 11/00; F21L 13/00; F21L 13/04; F21L 13/08; F21L 14/02; F21L 17/00; F21L 19/00; F21L 25/00
See application file for complete search history.

- 5,469,346 A 11/1995 Haut
 - 5,588,739 A 12/1996 Nakao
 - 5,630,661 A 5/1997 Fox
 - 5,806,961 A 9/1998 Dalton
 - 6,004,008 A 12/1999 Lai
 - 6,079,847 A 6/2000 Nelson
 - 6,099,141 A 8/2000 Landamia
 - 6,158,874 A 12/2000 Brustein
 - 6,179,431 B1 1/2001 Chien
 - D445,521 S * 7/2001 Israel D26/46
- (Continued)

Primary Examiner — Lakiya G Rogers
Assistant Examiner — Carissa C Fitts
 (74) *Attorney, Agent, or Firm* — Notaro, Michalos & Zaccaria P.C.

(57) **CLAIM**

The ornamental design for a flashlight, as shown and described.

DESCRIPTION

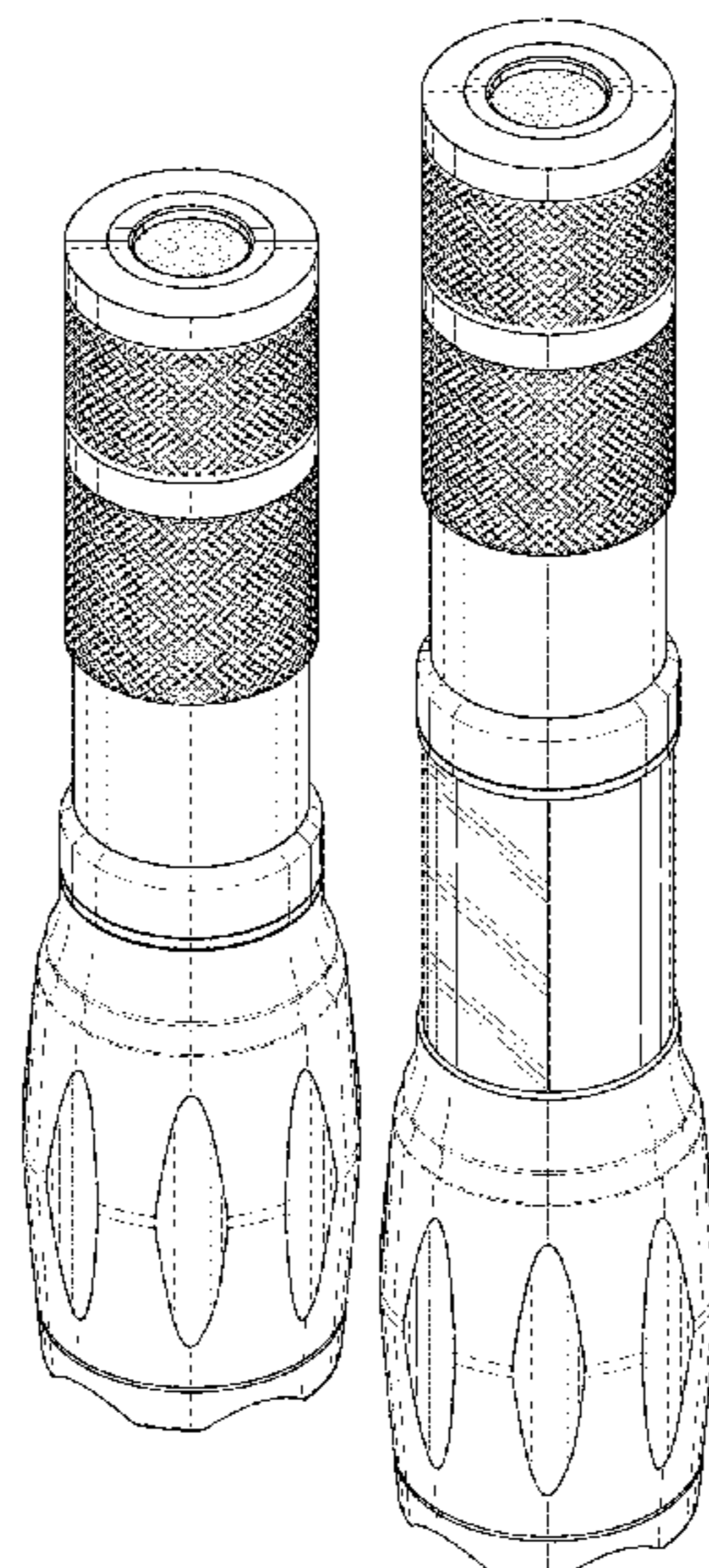
FIG. 1 is a front, top, right, perspective view of a flashlight showing my design therefor;
 FIG. 2 is a front, bottom, right perspective view thereof;
 FIG. 3 is a front plan view thereof;
 FIG. 4 is a rear plan view thereof;
 FIG. 5 is a right side view, the left side being a mirror image thereof;
 FIG. 6 is a top plan view thereof;
 FIG. 7 is a bottom plan view thereof;
 FIG. 8 is a front, top, right perspective view similar to FIG. 1 showing my design in an extended configuration;
 FIG. 9 is a front, bottom, right perspective view thereof;
 FIG. 10 is front plan view thereof;
 FIG. 11 is a rear plan view thereof;
 FIG. 12 is right side plan view the left side being a mirror image thereof;
 FIG. 13 is a top plan view thereof; and,
 FIG. 14 is a bottom plan view thereof.

(56) **References Cited**

U.S. PATENT DOCUMENTS

- 1,753,614 A 4/1930 Meroussis
- 2,339,356 A 1/1944 Sachs
- 2,647,254 A 7/1953 Brunnhoelzl
- 4,605,993 A 8/1986 Zelina
- 4,609,976 A 9/1986 Geissler
- D293,482 S 12/1987 Geissler
- D307,488 S * 4/1990 Sharrah D26/49
- D311,777 S 10/1990 Stearns
- D321,568 S 11/1991 Yuen
- 5,083,253 A 1/1992 Hahnel
- 5,412,548 A 5/1995 Yee
- D363,563 S 10/1995 Yuen

1 Claim, 12 Drawing Sheets



(56)

References Cited

U.S. PATENT DOCUMENTS

D465,864 S	11/2002	Shiu		8,360,596 B2	1/2013	Bertken	
6,598,993 B1	7/2003	Dalton		8,393,751 B2	3/2013	Qiu	
6,623,140 B2	9/2003	Watterson		D680,251 S	4/2013	Stewart	
D486,935 S *	2/2004	Shiu	D26/49	8,444,290 B2	5/2013	Opolka	
D486,936 S *	2/2004	Shiu	D26/49	D685,939 S *	7/2013	Cooper	D26/49
6,746,124 B2	6/2004	Fischer		D688,402 S	8/2013	Roshak	
6,789,918 B2	9/2004	Poon		D692,169 S	10/2013	Kamm	
6,866,401 B2	3/2005	Sommers		D692,601 S	10/2013	Kamm	
D507,942 S	8/2005	Wu		D692,602 S	10/2013	Kamm	
D513,334 S	12/2005	Galey		D692,603 S	10/2013	Kamm	
6,986,593 B2	1/2006	Rhoads		D692,604 S	10/2013	Kamm	
D514,725 S	2/2006	Shiu		8,556,449 B1	10/2013	Matys	
7,059,744 B2	6/2006	Sharrah		D699,381 S	2/2014	Stewart	
7,066,621 B2	6/2006	Booty		8,641,225 B2	2/2014	Yeh	
7,066,622 B2	6/2006	Alessio		D702,384 S	4/2014	Stewart	
D525,733 S	7/2006	Shiao		D703,852 S	4/2014	Kamm	
D529,643 S *	10/2006	Kung	D26/37	8,690,378 B2	4/2014	Choo	
D532,138 S	11/2006	Wang		8,696,174 B2	4/2014	Shpizel	
7,147,343 B2	12/2006	Chapman		8,721,111 B2	5/2014	Yeh	
7,175,299 B2	2/2007	Uke		D706,897 S	6/2014	Sheikh	
D541,454 S	4/2007	Galey		8,752,977 B2	6/2014	Popper	
D544,621 S	6/2007	Kim		D709,231 S	7/2014	Nguyen	
D549,369 S	8/2007	DeBrunner		D709,234 S	7/2014	Inskeep	
7,261,438 B2	8/2007	Alessio		8,770,783 B2	7/2014	Opolka	
D553,227 S	10/2007	Chen		D716,984 S	11/2014	Inskeep	
D554,281 S	10/2007	Bushee		D717,480 S	11/2014	Hsu	
D565,770 S *	4/2008	Shiu	D26/49	D724,247 S	3/2015	Chouprinov	
7,360,920 B2	4/2008	Dalton		D725,302 S	3/2015	Popper	
D572,395 S	7/2008	Guelzow		8,974,075 B2	3/2015	Opolka	
7,461,945 B2	12/2008	Shiau		9,068,727 B2	6/2015	Lee	
D585,577 S	1/2009	Bonis		9,086,195 B2	7/2015	Opolka	
7,473,007 B1	1/2009	Wang		D738,021 S	9/2015	Wang	
D586,025 S	2/2009	Bonis		9,140,417 B2	9/2015	Chen	
D586,489 S	2/2009	Shiu		9,146,937 B2	9/2015	Benjamin et al.	
D590,970 S	4/2009	Kornfeld		D742,048 S	10/2015	Sheikh	
D592,338 S	5/2009	Bushee		D745,200 S	12/2015	Inskeep	
7,530,706 B2	5/2009	Ouyang		D745,987 S	12/2015	Nawaz	
D595,439 S	6/2009	Haight		D748,834 S	2/2016	Huang	
7,543,941 B2	6/2009	Holder		D749,766 S	2/2016	Nguyen	
D596,328 S	7/2009	Shiu		D754,732 S	4/2016	Yoon et al.	
D596,772 S *	7/2009	Chang	D26/49	D757,319 S	5/2016	Green	
D599,928 S	9/2009	Shiu		D759,279 S	6/2016	Brands	
7,635,195 B2	12/2009	Tarter		9,416,938 B2	8/2016	Windom	
7,651,240 B2	1/2010	Bayat		D765,898 S	9/2016	Caito	
7,677,759 B1	3/2010	Leung		D774,229 S	12/2016	Prieto	
7,824,062 B2	11/2010	Ho		D774,230 S	12/2016	Prieto	
D629,541 S *	12/2010	Riley	D26/49	D786,466 S	5/2017	Prieto	
D629,542 S	12/2010	Robinson		9,713,216 B2	7/2017	Urry	
D629,545 S	12/2010	Deguglimo		D793,597 S	8/2017	Feustel	
7,845,820 B2	12/2010	Bertken		9,772,093 B2	9/2017	Yu	
7,914,169 B2	3/2011	Hesse		9,791,114 B2	10/2017	Borjanin	
8,016,451 B2	9/2011	Householder		D802,195 S *	11/2017	Huang	D26/49
D647,232 S	10/2011	Liu		D809,171 S *	1/2018	Ma	D26/49
D647,654 S	10/2011	Li		2001/0024367 A1	9/2001	Shiau	
8,147,088 B2	4/2012	Chen		2006/0171143 A1	8/2006	Yuen	
8,152,327 B2	4/2012	Brands		2009/0135611 A1	5/2009	Lin	
8,162,503 B2	4/2012	Harnischmacher		2010/0315805 A1	12/2010	Dongpan	
D659,270 S	5/2012	Nguyen		2012/0218744 A1	8/2012	Popper	
D659,272 S	5/2012	Nguyen		2013/0329410 A1	12/2013	Windom	
D659,868 S	5/2012	Deguglimo		2013/0329411 A1	12/2013	Windom	
D660,488 S	5/2012	Ye		2014/0092591 A1	4/2014	Ou Yang	
8,246,210 B2	8/2012	Angelini		2015/0029707 A1	1/2015	Cheng	
D668,805 S	10/2012	Chapman		2015/0184816 A1	7/2015	Huang	
D668,806 S	10/2012	Chapman		2015/0241031 A1	8/2015	Cheng	
D671,249 S	11/2012	Sheikh		2016/0109113 A1	4/2016	Sasaki	
D674,943 S	1/2013	Sheikh		2016/0320024 A1	11/2016	Grimm	
				2017/0002994 A1	1/2017	Fisher	
				2017/0130914 A1	5/2017	Gassauer	

* cited by examiner

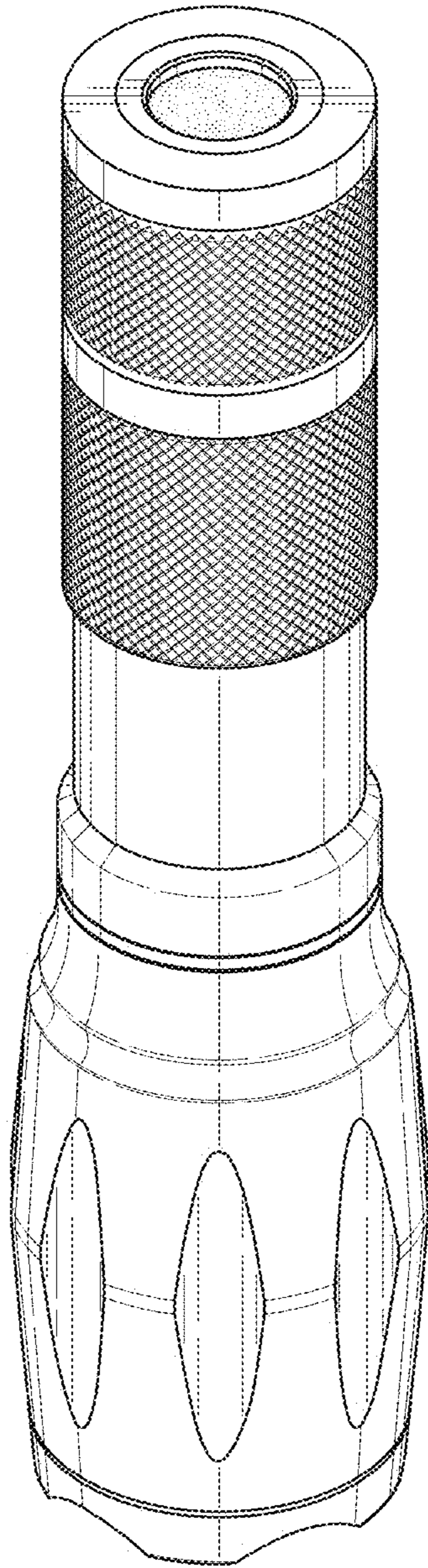


FIG. 1

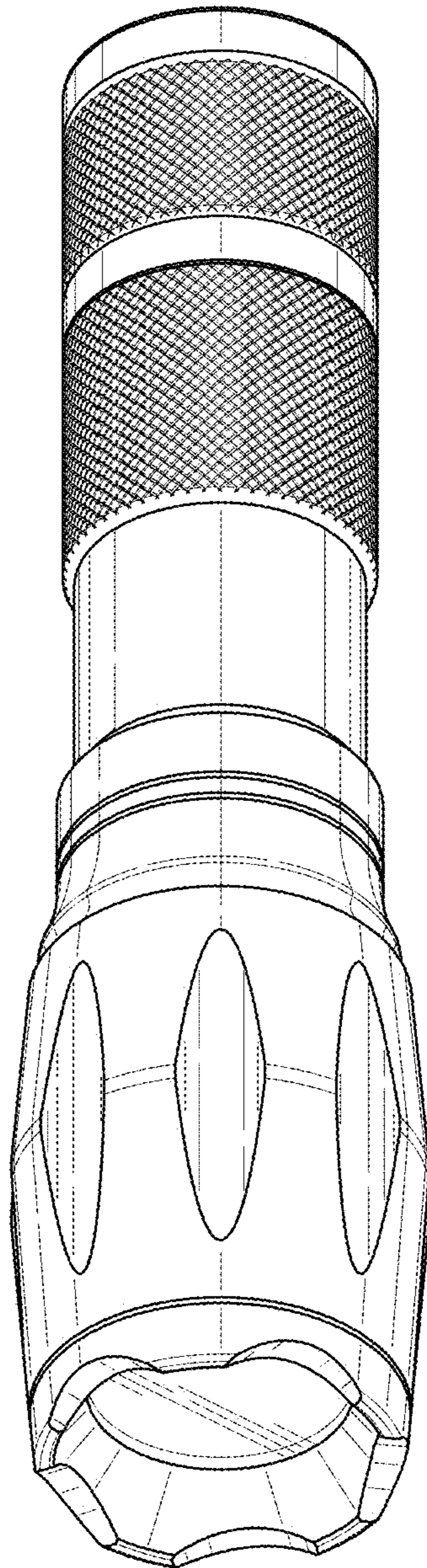


FIG. 2

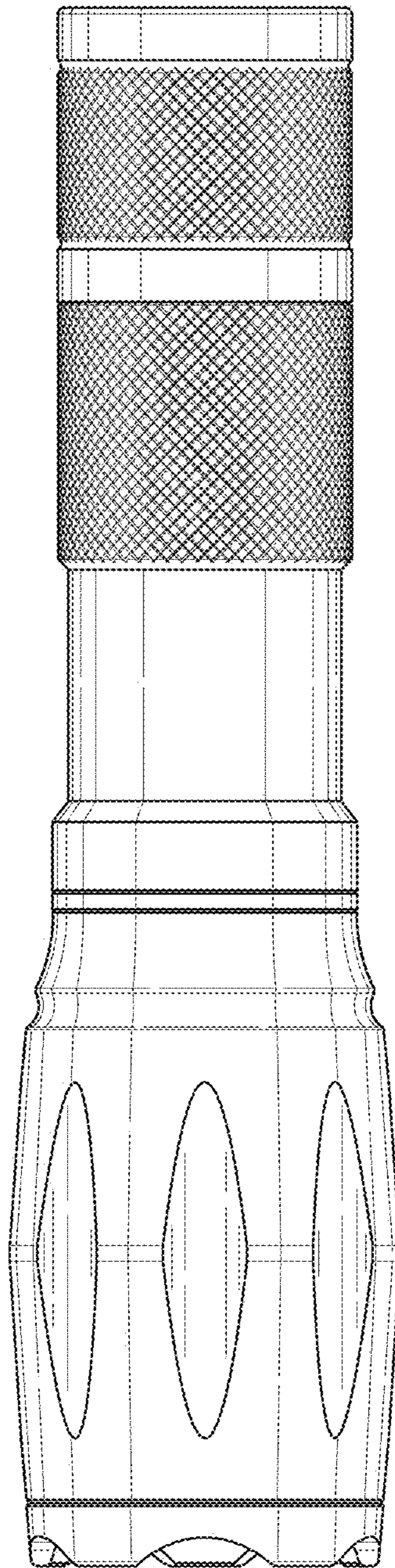


FIG. 3

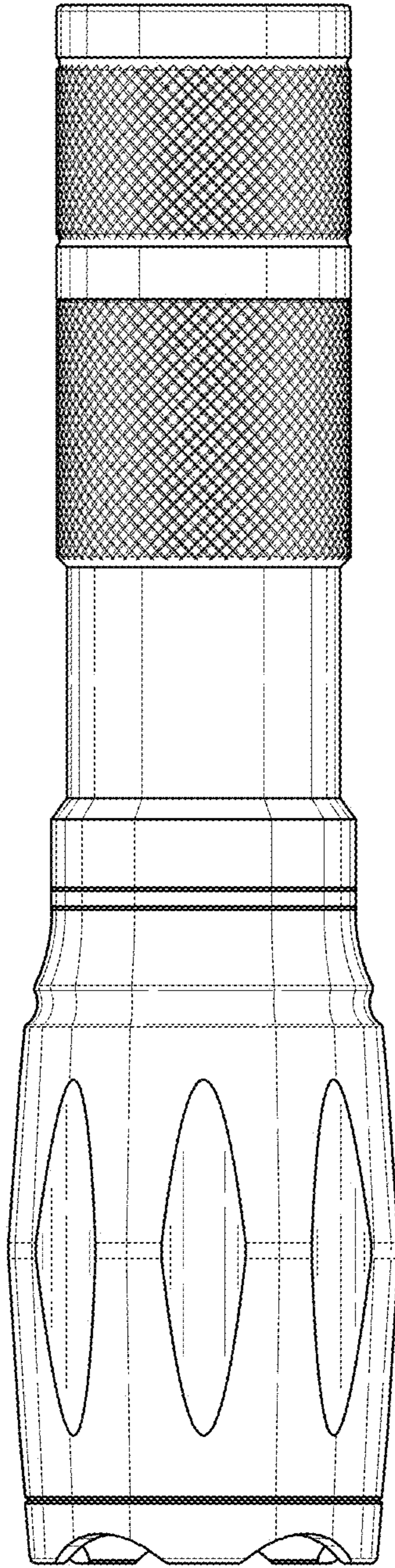


FIG. 4

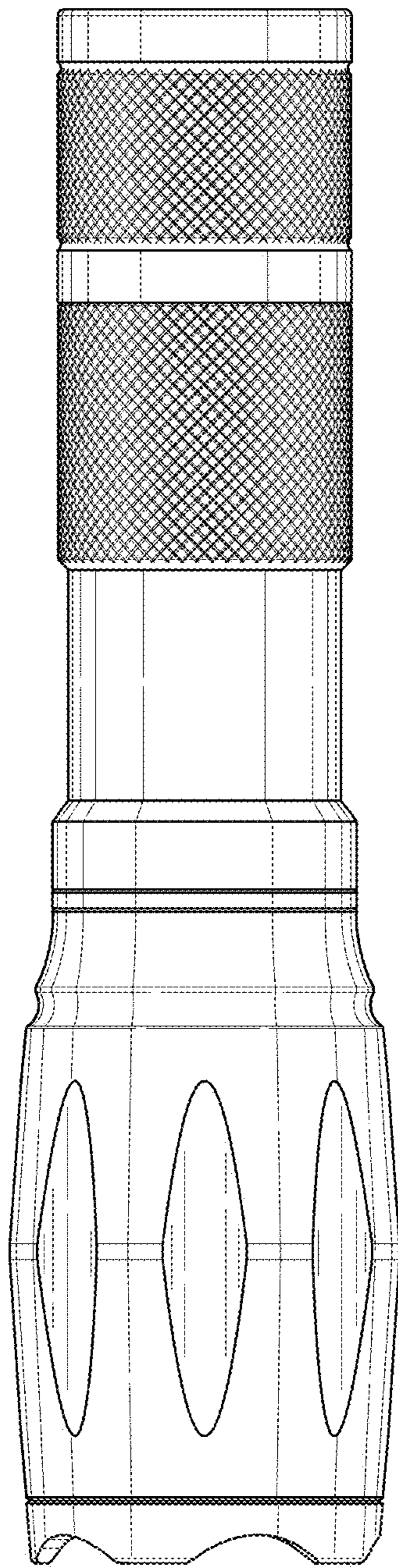


FIG. 5

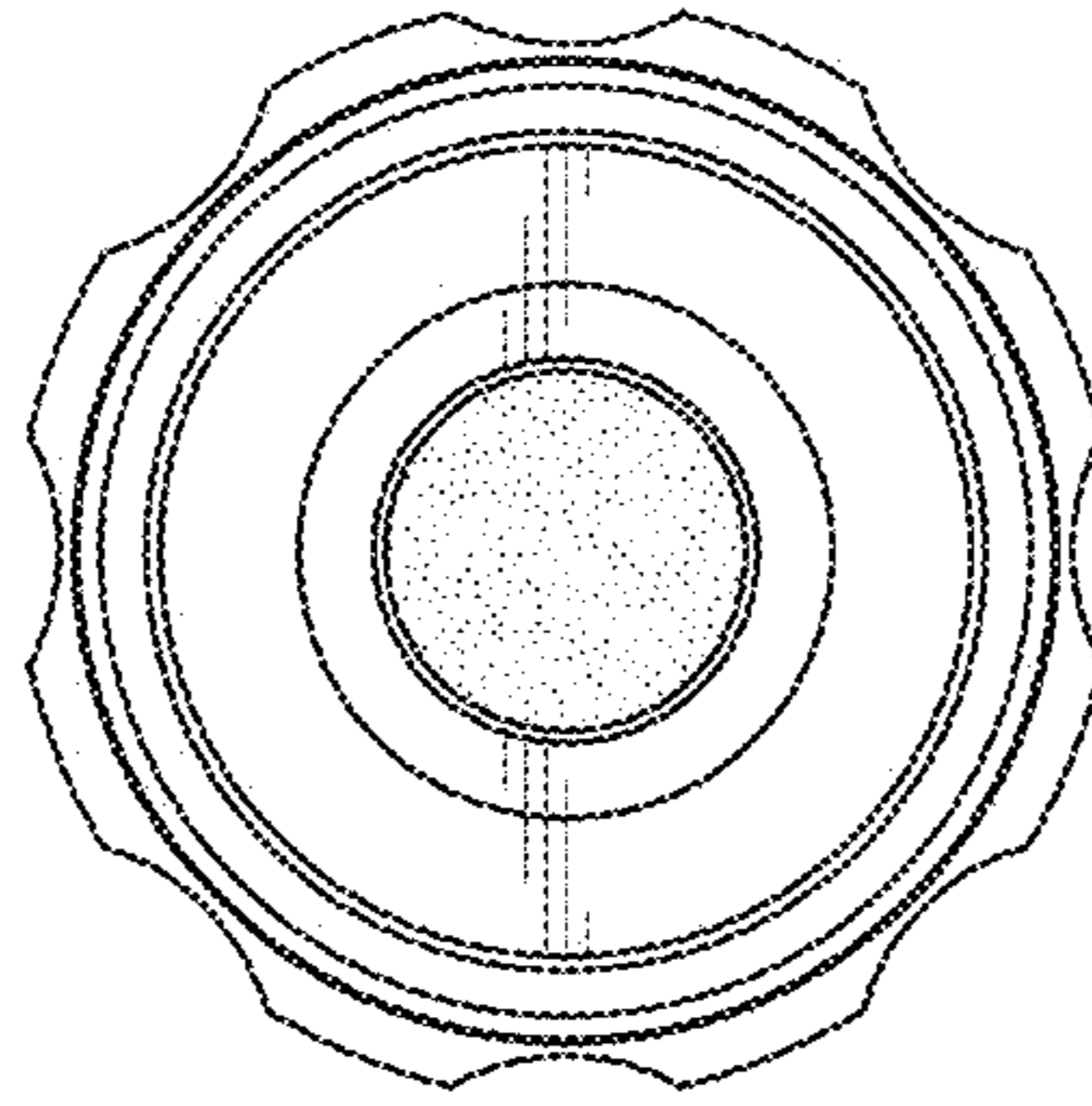


FIG. 6

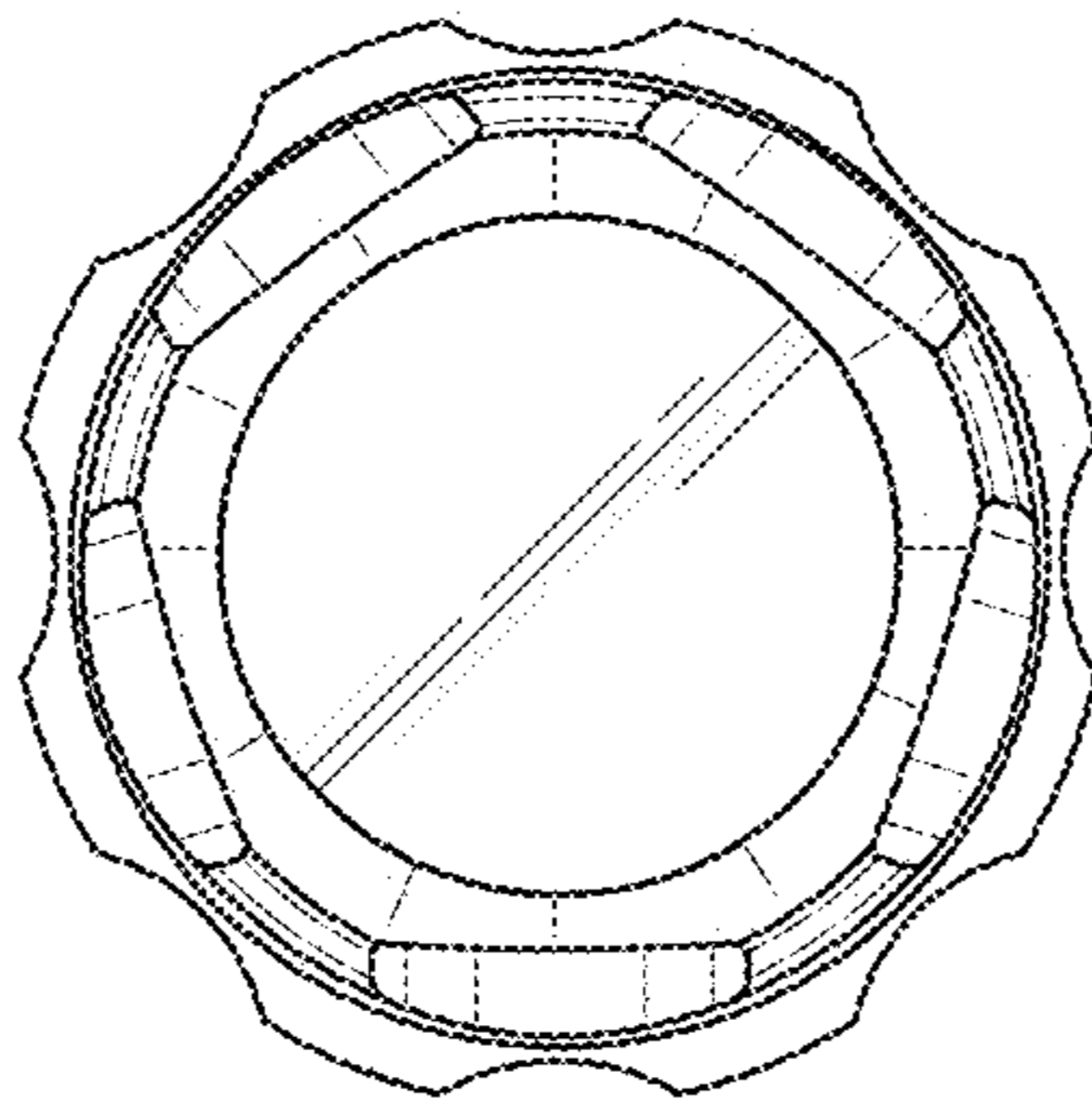


FIG. 7

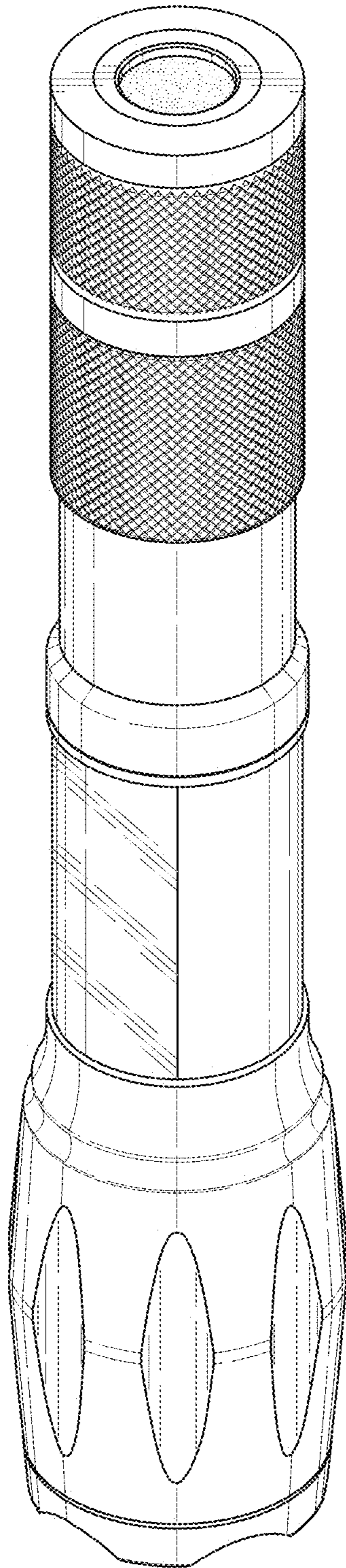


FIG. 8

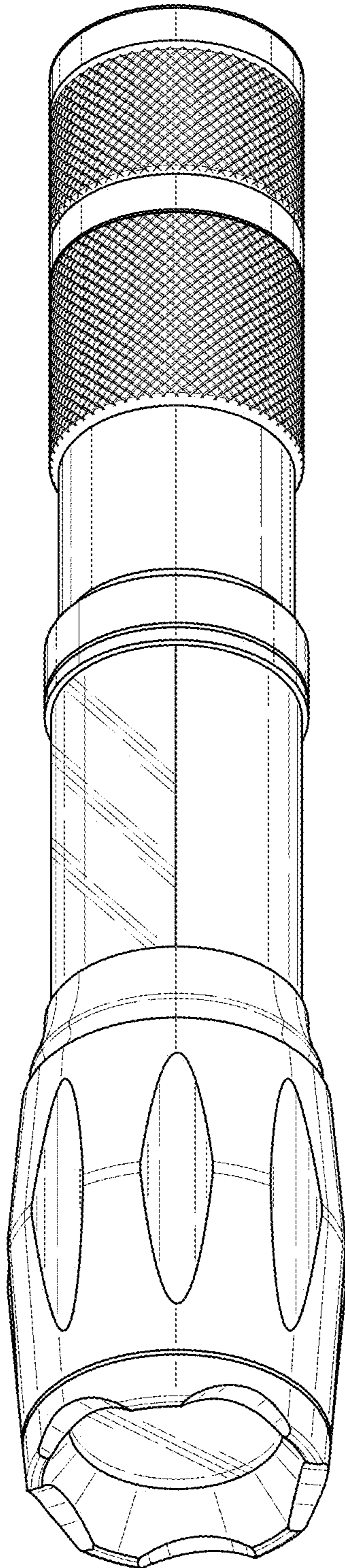


FIG. 9

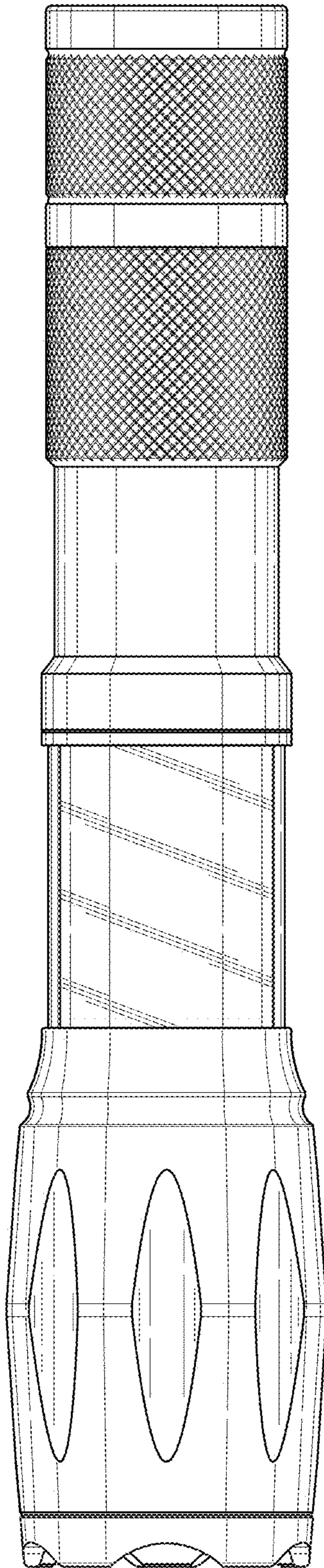


FIG. 10

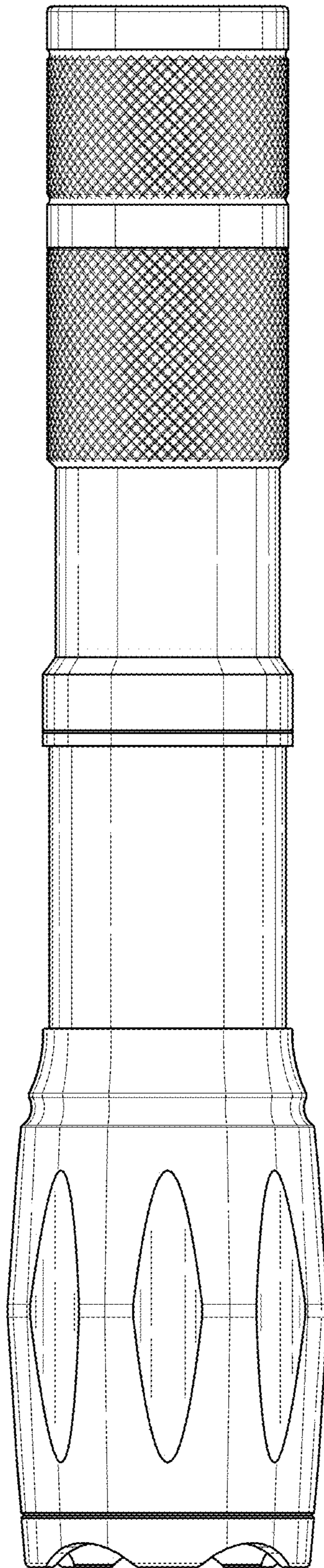


FIG. 11

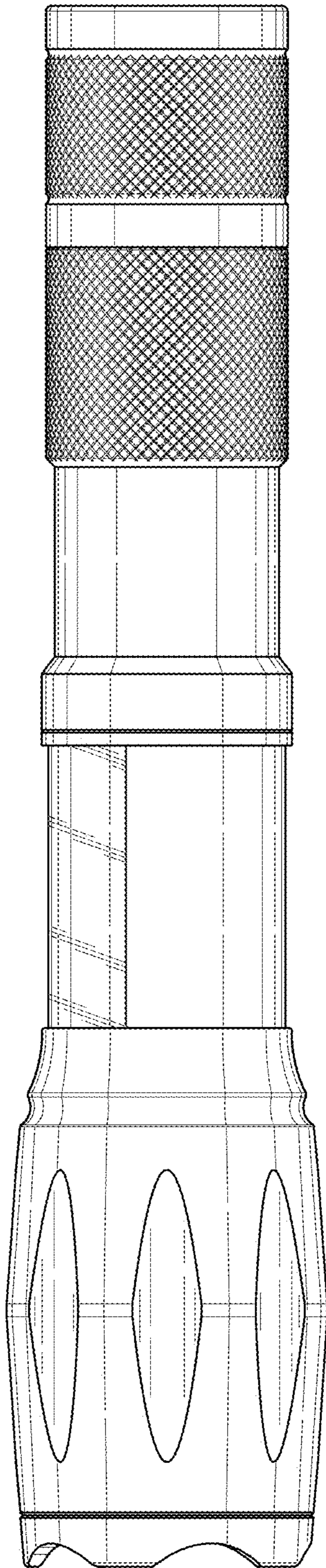


FIG. 12

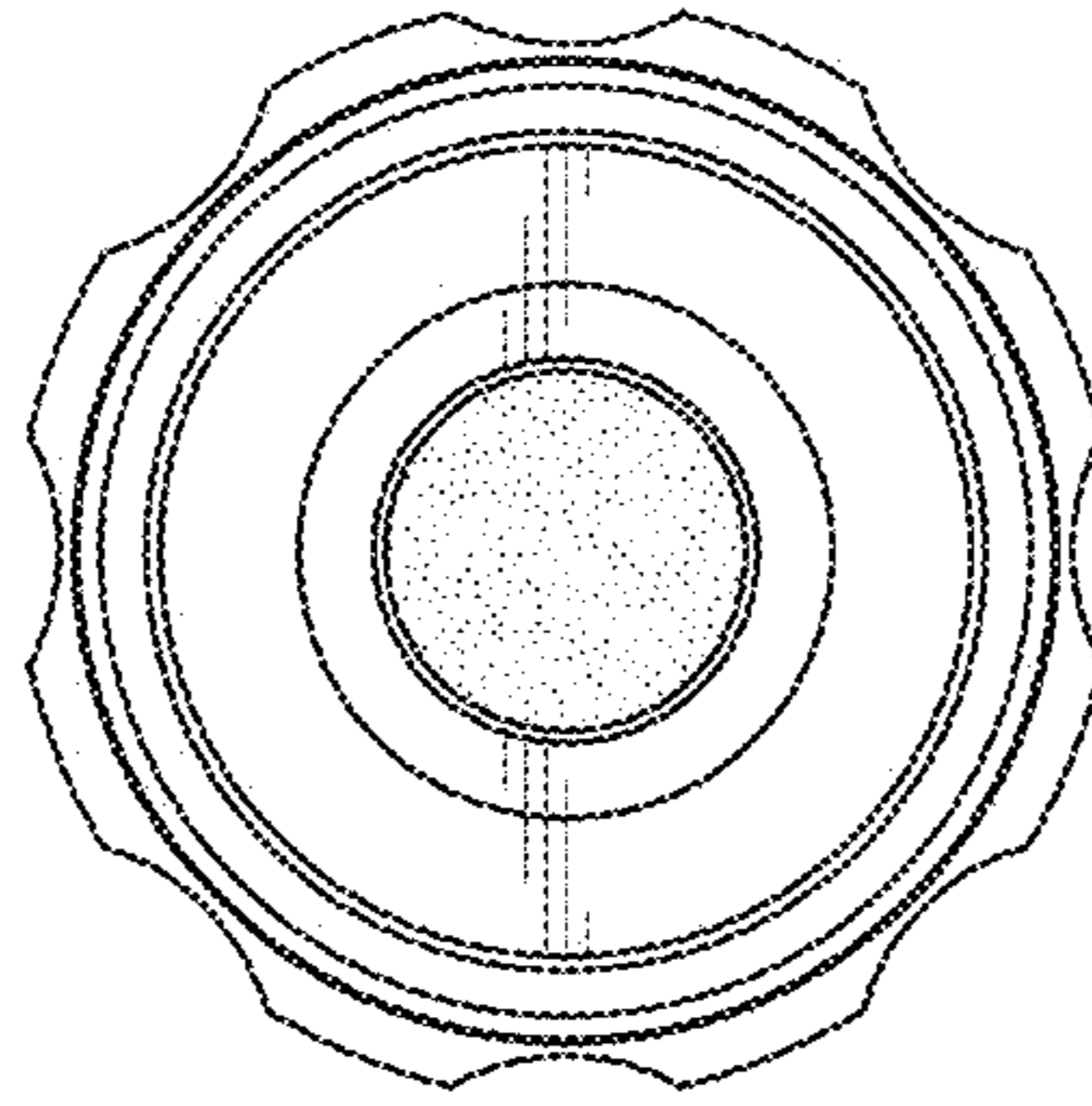


FIG. 13

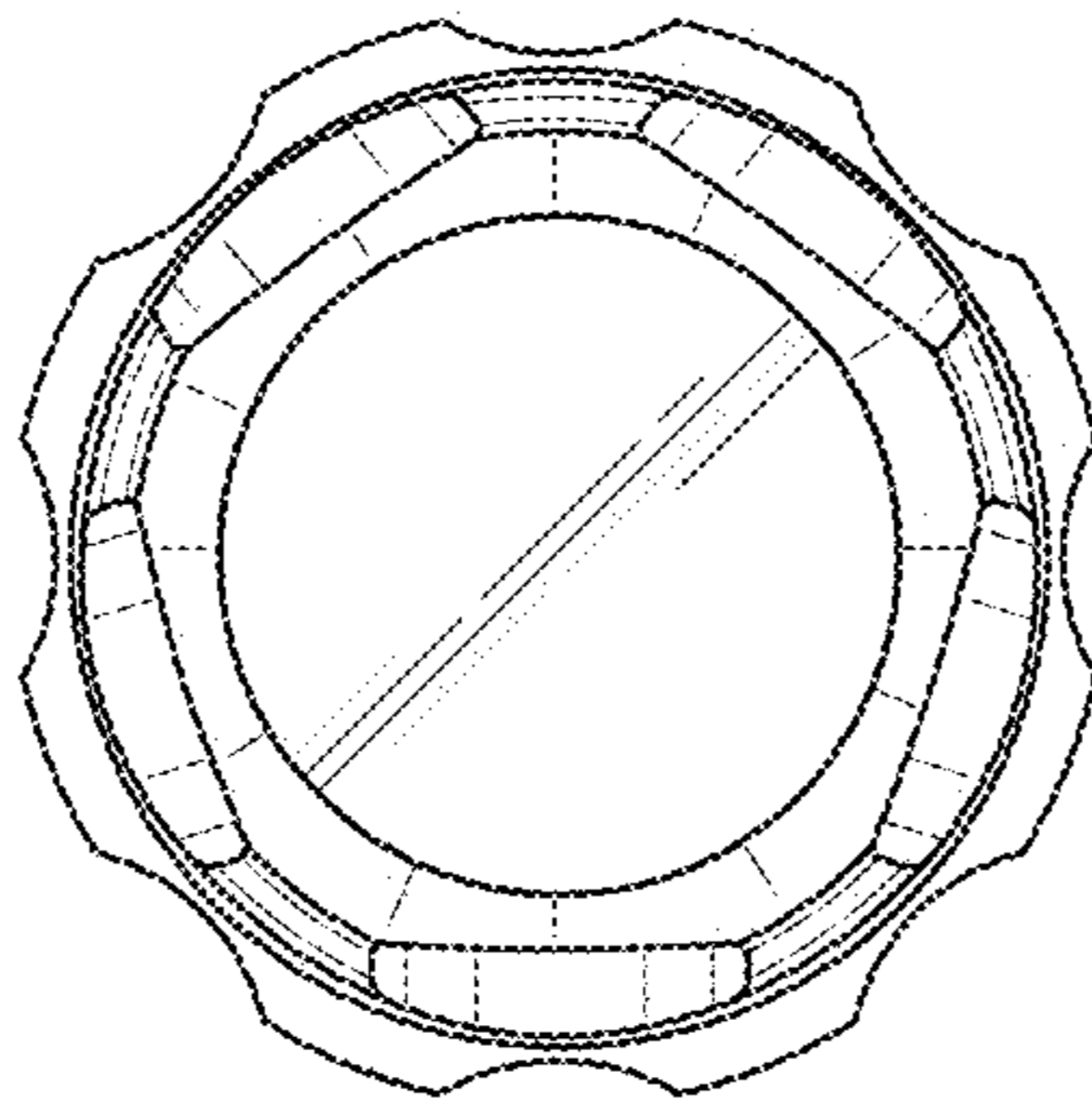


FIG. 14