



US00D879344S

(12) **United States Design Patent**  
**Bao**

(10) **Patent No.:** **US D879,344 S**

(45) **Date of Patent:** **\*\* Mar. 24, 2020**

(54) **LAMP**

(71) Applicant: **YUYAO YUCHANG ELECTRICAL APPLIANCE CO., LTD.**, Zhejiang (CN)

(72) Inventor: **Yong Bao**, Zhejiang (CN)

(73) Assignee: **YUYAO YUCHANG ELECTRICAL APPLIANCE CO., LTD.**, Zhejiang (CN)

(\*\*) Term: **15 Years**

(21) Appl. No.: **29/655,837**

(22) Filed: **Jul. 9, 2018**

(30) **Foreign Application Priority Data**

May 18, 2018 (CN) ..... 2018 3 0232477

(51) **LOC (12) Cl.** ..... **26-02**

(52) **U.S. Cl.**  
USPC ..... **D26/42; D26/44**

(58) **Field of Classification Search**  
USPC ..... D26/37-51  
CPC ..... F21L 2003/00; F21L 4/00; F21L 4/005;  
F21L 4/02; F21L 4/025; F21L 4/027;  
F21L 4/04; F21L 4/08; F21L 2005/00;  
F21L 7/00; F21L 11/00; F21L 13/00;  
F21L 13/04; F21L 13/08; F21L 14/02;  
F21L 17/00; F21L 19/00; F21L 25/00  
See application file for complete search history.

(56) **References Cited**

**U.S. PATENT DOCUMENTS**

D703,357 S \* 4/2014 Grandadam ..... D26/44  
D708,376 S \* 7/2014 Crowe ..... D26/37

D721,841 S \* 1/2015 Kwon ..... D26/37  
D739,063 S \* 9/2015 Su ..... D26/42  
D742,568 S \* 11/2015 Abernethy ..... D26/42  
D750,825 S \* 3/2016 Bryant ..... D26/42  
D757,971 S \* 5/2016 Kovacik ..... D26/37  
D806,923 S \* 1/2018 Koshiba ..... D26/42  
D810,335 S \* 2/2018 Levy ..... D26/37  
D816,876 S \* 5/2018 Bao ..... D26/37  
D818,166 S \* 5/2018 Bao ..... D26/44  
D831,248 S \* 10/2018 Kuhls ..... D26/37  
D835,821 S \* 12/2018 Bao ..... D26/44  
D839,462 S \* 1/2019 Chen ..... D26/42  
D840,074 S \* 2/2019 Bao ..... D26/42  
D840,075 S \* 2/2019 Bao ..... D26/44  
D844,873 S \* 4/2019 Koshiba ..... D26/46  
D854,207 S \* 7/2019 Zheng ..... D26/44  
D855,228 S \* 7/2019 Cooper ..... D26/44

\* cited by examiner

*Primary Examiner* — Jeffrey D Asch

*Assistant Examiner* — Carissa C Fitts

(74) *Attorney, Agent, or Firm* — JCIPRNET

(57) **CLAIM**

The ornamental design for a lamp, as shown and described.

**DESCRIPTION**

FIG. 1 is a perspective view of a lamp showing our new design;

FIG. 2 is a front view thereof;

FIG. 3 is a rear view thereof;

FIG. 4 is a left side view thereof;

FIG. 5 is a right side view thereof;

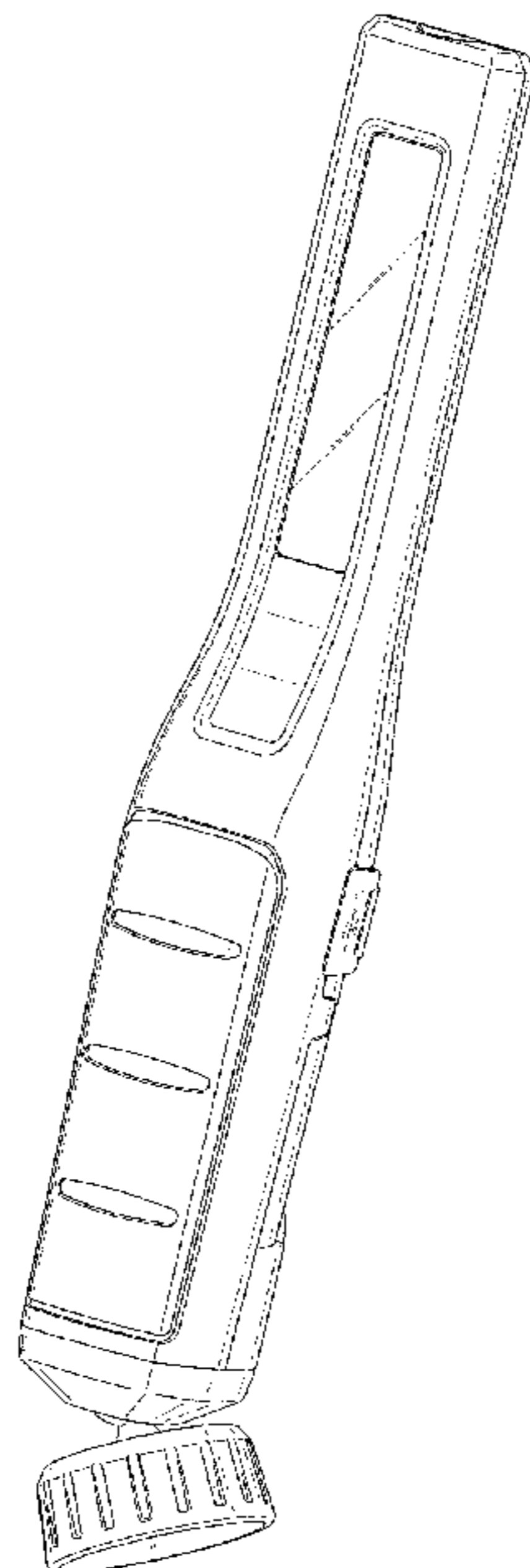
FIG. 6 is a top view thereof;

FIG. 7 is a bottom view thereof; and,

FIG. 8 is another perspective view thereof shown in an alternate position.

The broken lines show portions of the lamp that form no part of the claimed design.

**1 Claim, 7 Drawing Sheets**



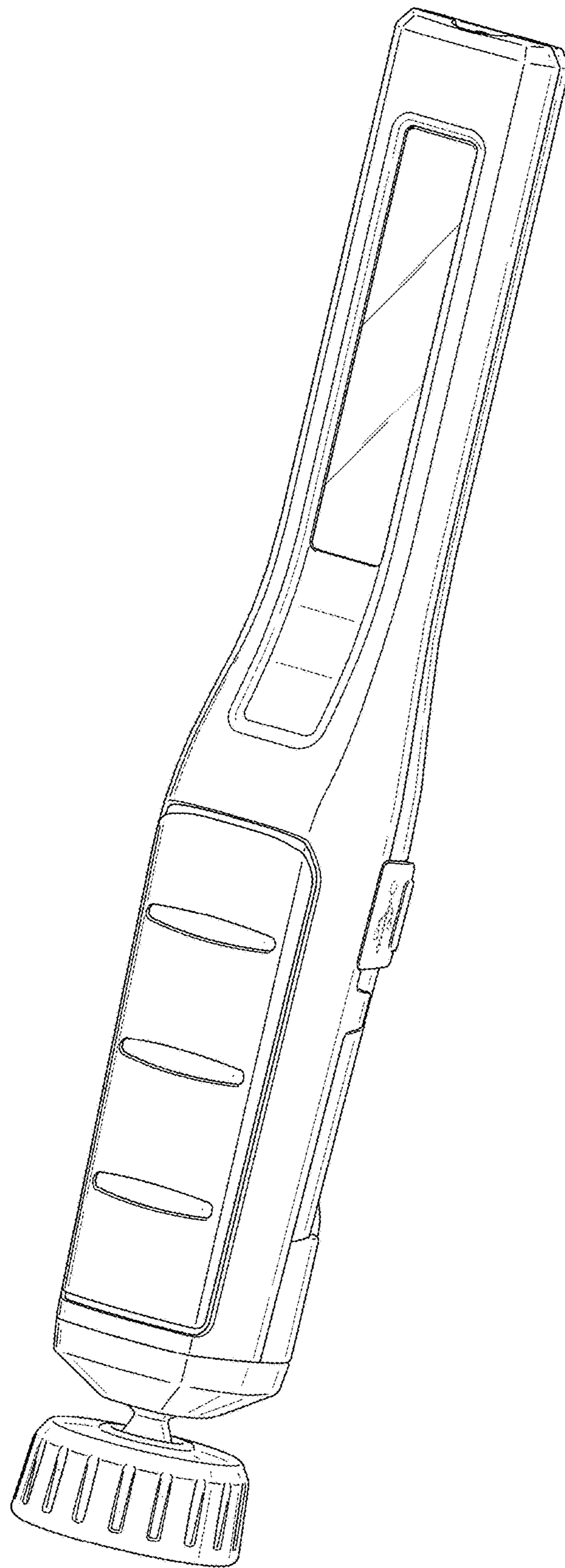


FIG. 1

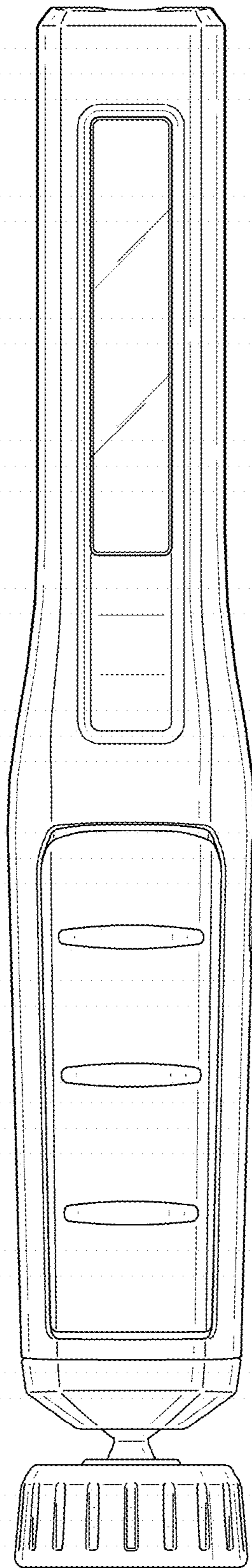


FIG. 2

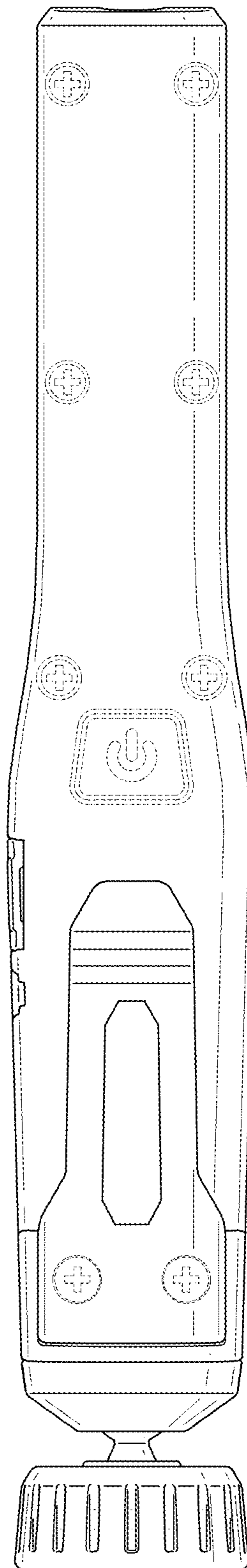


FIG. 3

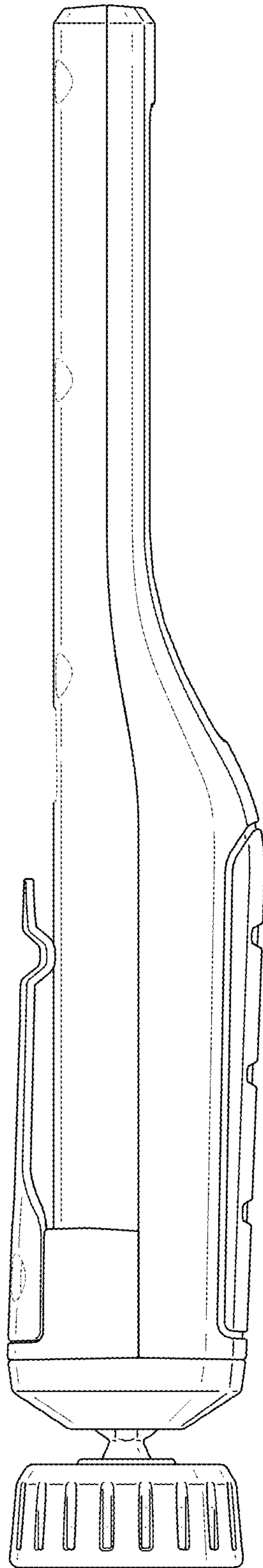


FIG. 4

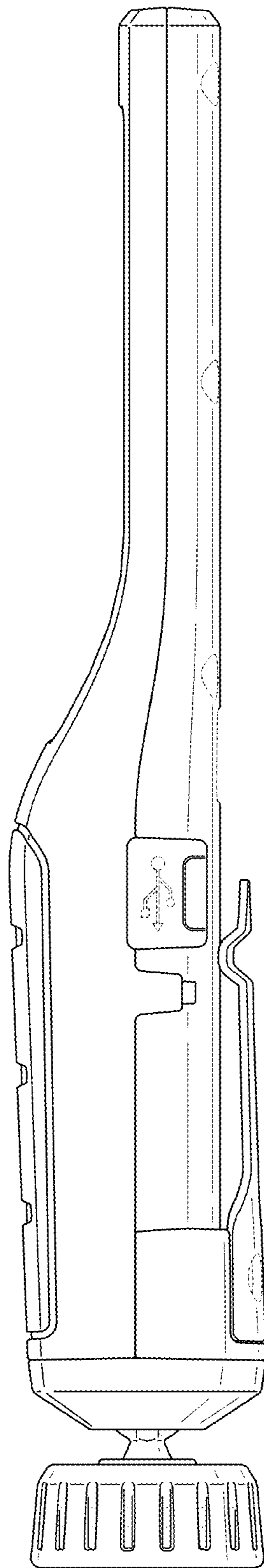


FIG. 5

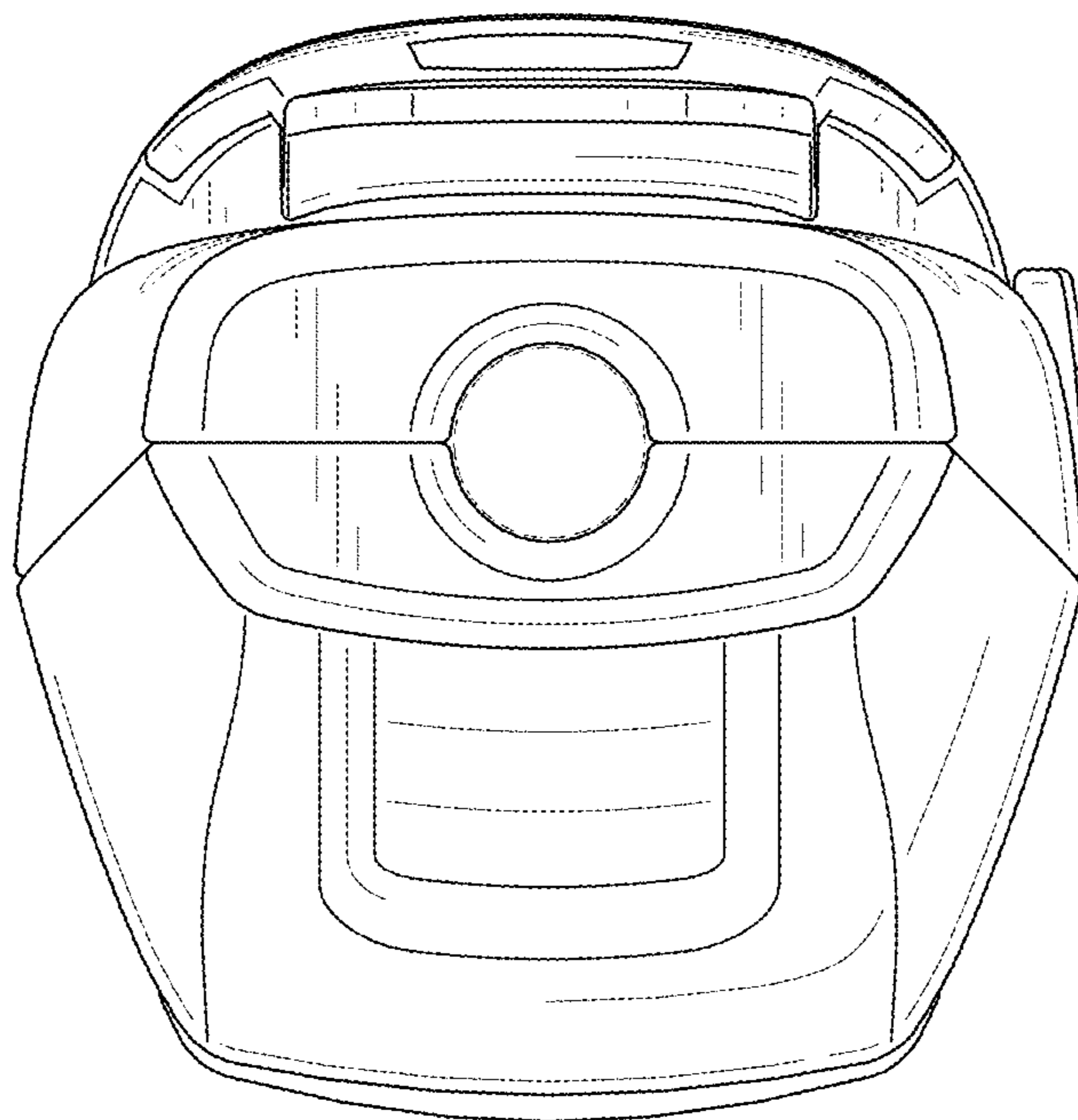


FIG. 6

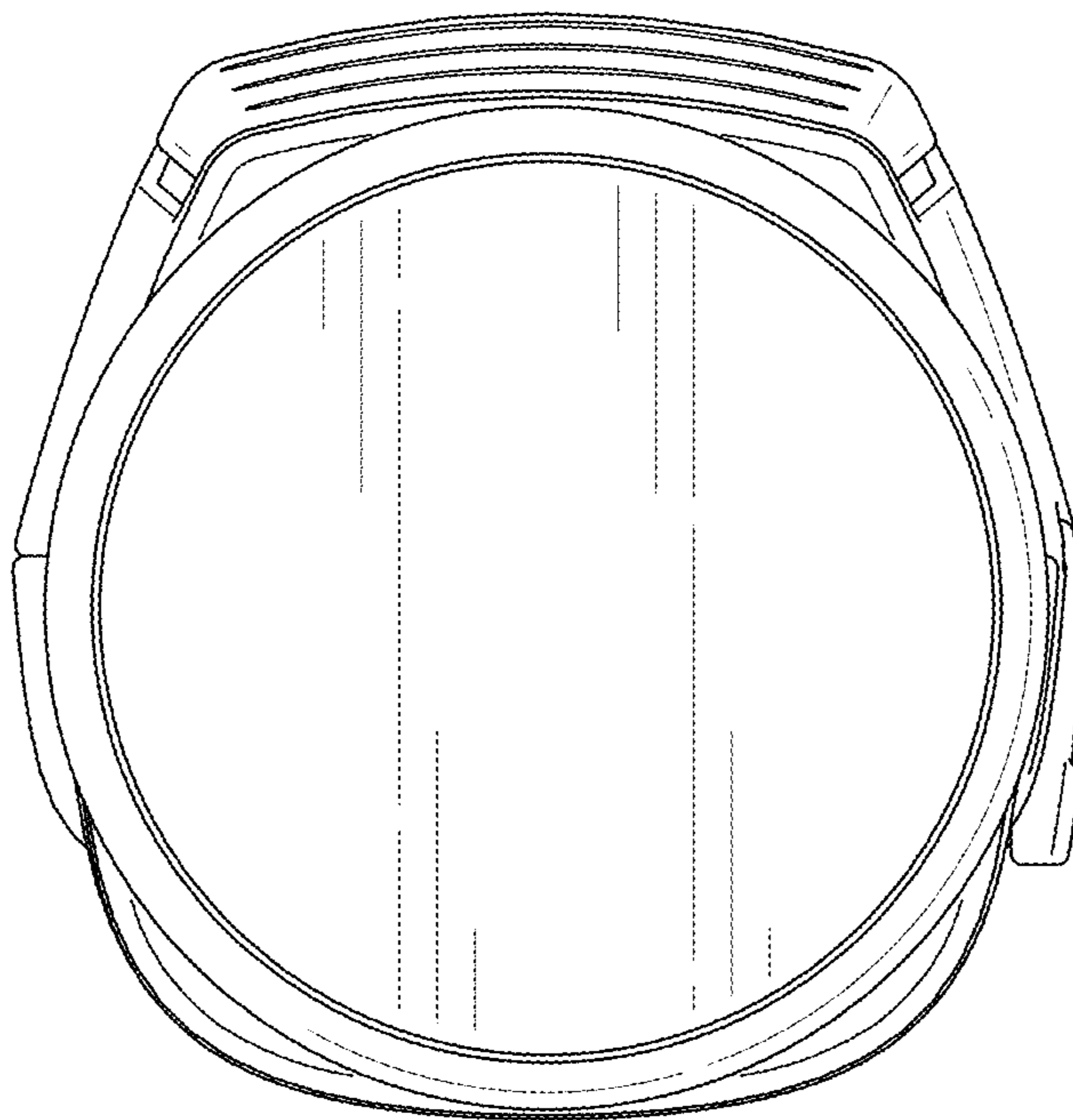


FIG. 7

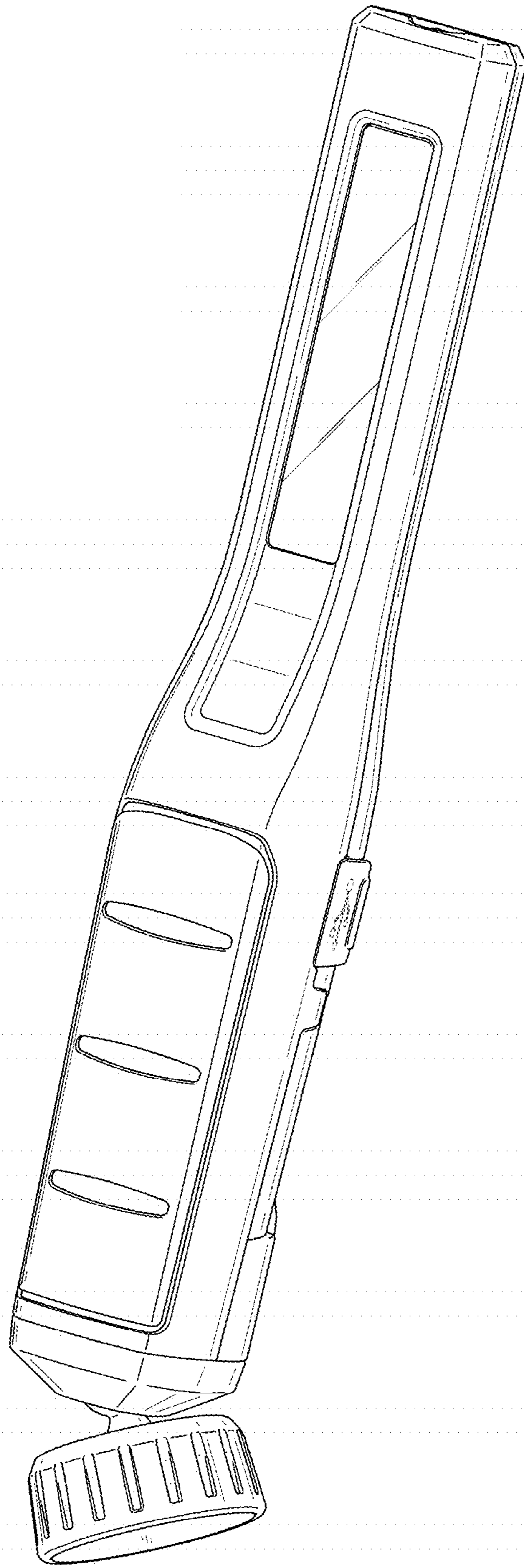


FIG. 8