



US00D879342S

(12) **United States Design Patent**  
**Cheng**

(10) **Patent No.:** **US D879,342 S**

(45) **Date of Patent:** **\*\* Mar. 24, 2020**

(54) **MULTIPLE PURPOSE LIGHT**

(71) Applicant: **QEE Technology (Shenzhen) Co., Ltd.**, Shenzhen (CN)

(72) Inventor: **Kin Chung Cheng**, Shenzhen (CN)

(73) Assignee: **QEE TECHNOLOGY (SHENZHEN) CO., LTD.**, Shenzhen (CN)

(\*\*) Term: **15 Years**

(21) Appl. No.: **29/644,148**

(22) Filed: **Apr. 16, 2018**

(30) **Foreign Application Priority Data**

Oct. 17, 2017 (AU) ..... 201716309

(51) **LOC (12) Cl.** ..... **26-02**

(52) **U.S. Cl.**  
USPC ..... **D26/38**

(58) **Field of Classification Search**  
USPC ..... D12/86, 90-92, 114, 163, 169, 171-173,  
D12/181, 190, 196, 197, 199, 400;  
D26/24-38

CPC ... B62J 6/02; B62J 6/00; B60Q 3/0279; F21S  
48/00; F21S 48/10; F21S 48/115; F21S  
48/225; F21S 48/1233; F21S 48/1266;  
F21S 48/1388; F21S 48/2268; F21V  
21/04

See application file for complete search history.

(56) **References Cited**

U.S. PATENT DOCUMENTS

D538,456 S \* 3/2007 Trigiani ..... D26/42  
D565,769 S \* 4/2008 Shiu ..... D26/49

D620,627 S \* 7/2010 Kovacik ..... D26/42  
D648,466 S \* 11/2011 Hickman ..... D26/42  
8,201,979 B2 \* 6/2012 Deighton ..... F16M 11/28  
248/177.1  
9,091,401 B2 \* 7/2015 Wong ..... F21L 4/02  
9,163,823 B2 \* 10/2015 Choksi ..... F21V 21/145  
D744,137 S \* 11/2015 Ma ..... D26/49  
9,222,633 B2 \* 12/2015 Inskeep ..... F21S 9/02  
D841,849 S \* 2/2019 Ladnier ..... D26/38  
2015/0267902 A1 \* 9/2015 Zhang ..... F21L 4/04  
362/188  
2016/0209014 A1 \* 7/2016 Mata ..... F21S 6/00

\* cited by examiner

*Primary Examiner* — Philip S Hyder

*Assistant Examiner* — Cary M Robinson

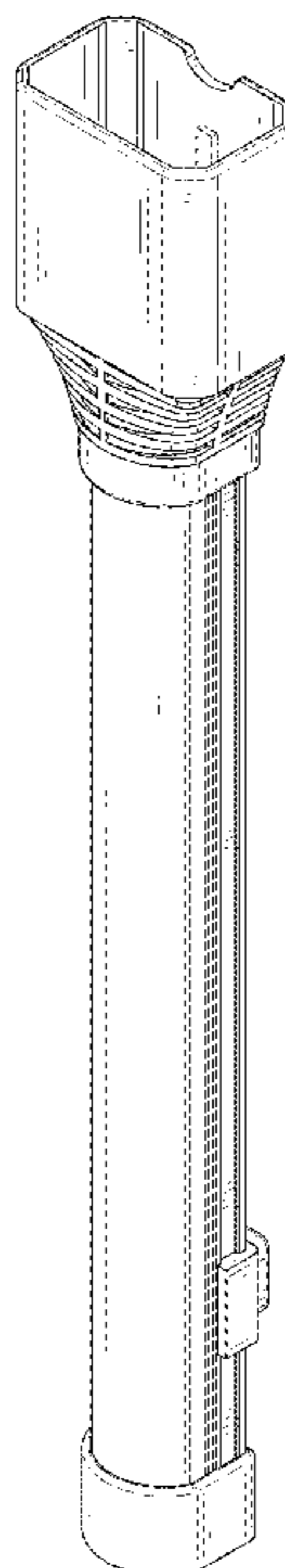
(57) **CLAIM**

The ornamental design for a multiple purpose light, as shown and described.

**DESCRIPTION**

FIG. 1 is a perspective view of the multiple purpose light showing my new design;  
FIG. 2 is another perspective view thereof;  
FIG. 3 is a front elevational view thereof;  
FIG. 4 is a rear elevational view thereof;  
FIG. 5 is a left side elevational view thereof;  
FIG. 6 is a right side elevational view thereof;  
FIG. 7 is a top plan view thereof;  
FIG. 8 is a bottom plan view thereof; and,  
FIG. 9 is an enlarged view of a circle portion 9 of FIG. 8, shown separately for completeness of illustration.  
The broken lines are for the purposes of illustrating portions of the multiple purpose light and form no part of the claimed design.

**1 Claim, 9 Drawing Sheets**



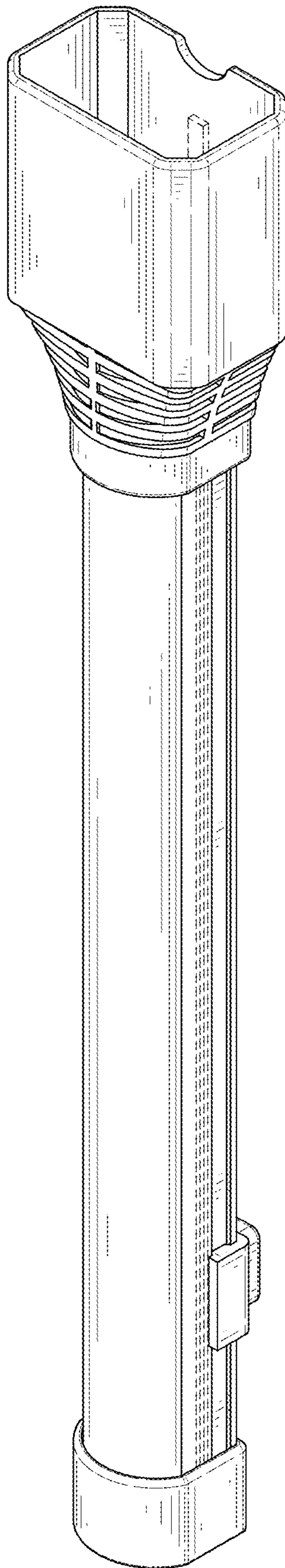


FIG. 1

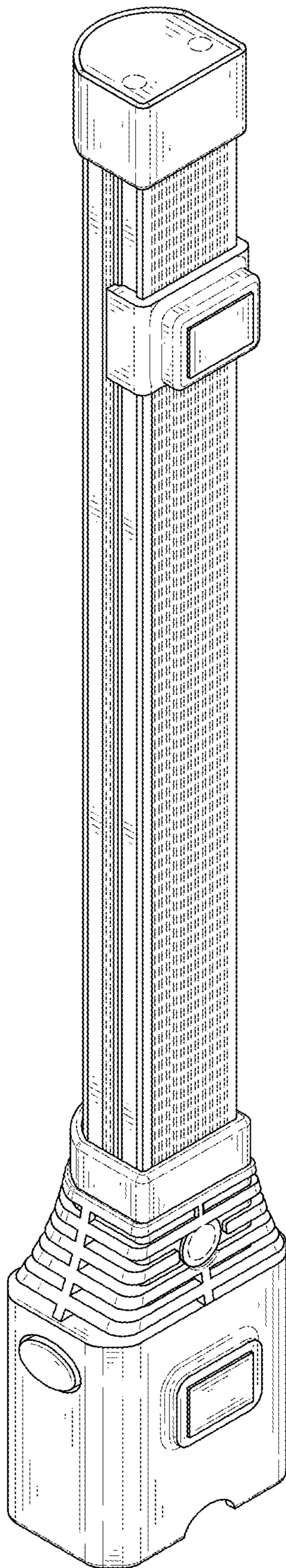


FIG. 2

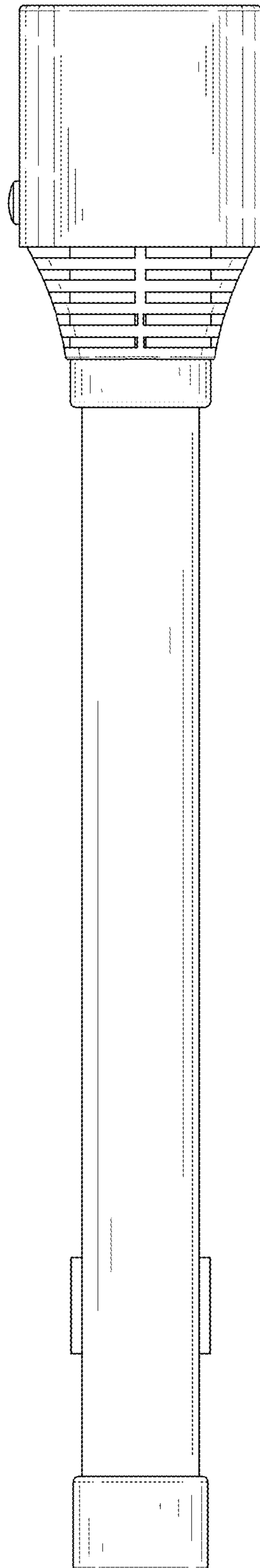


FIG. 3

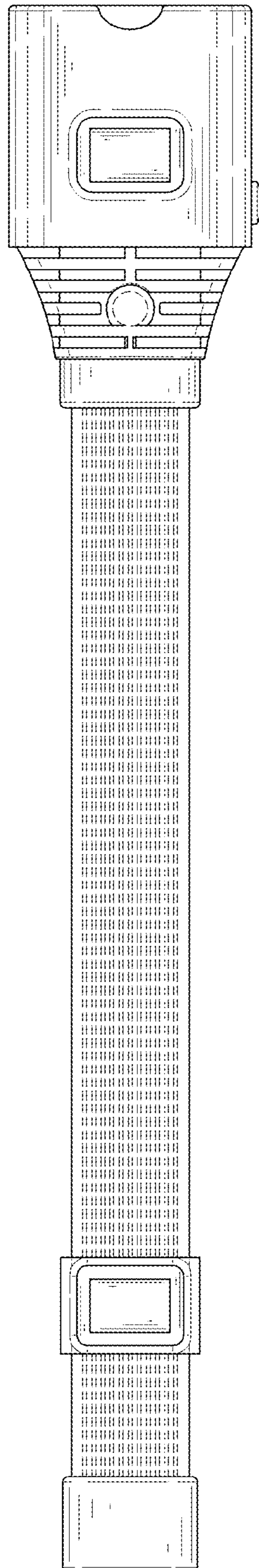


FIG. 4

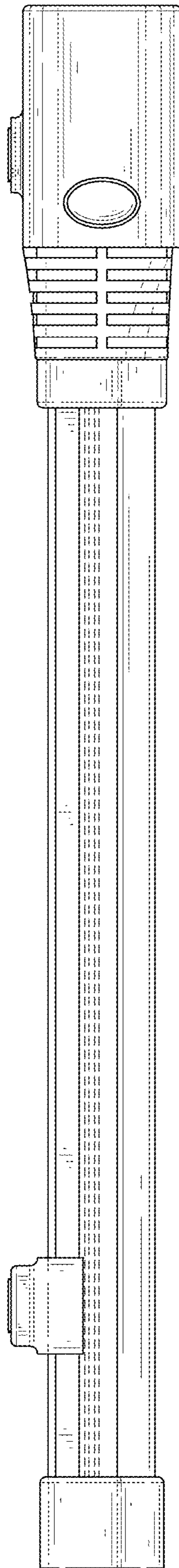


FIG. 5

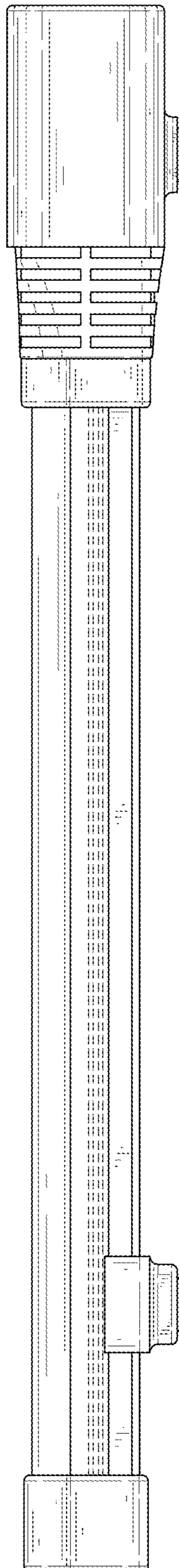


FIG. 6

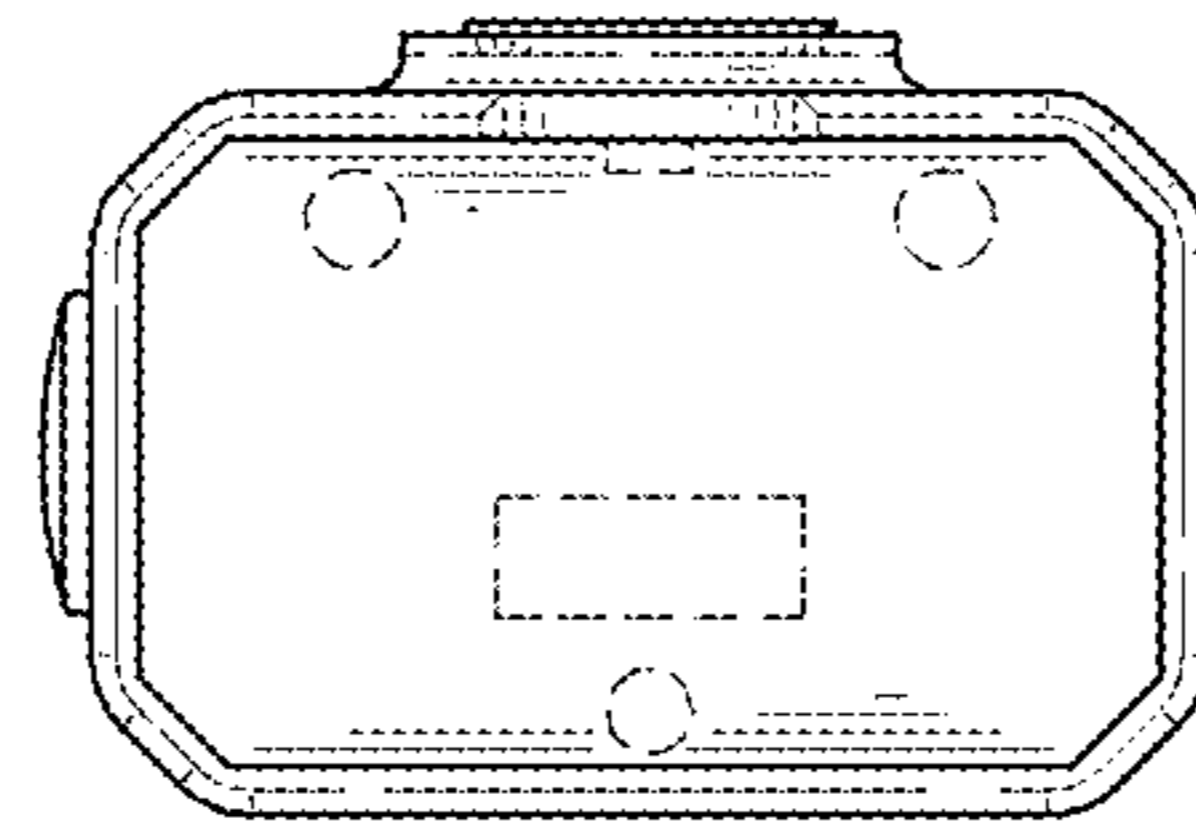


FIG. 7



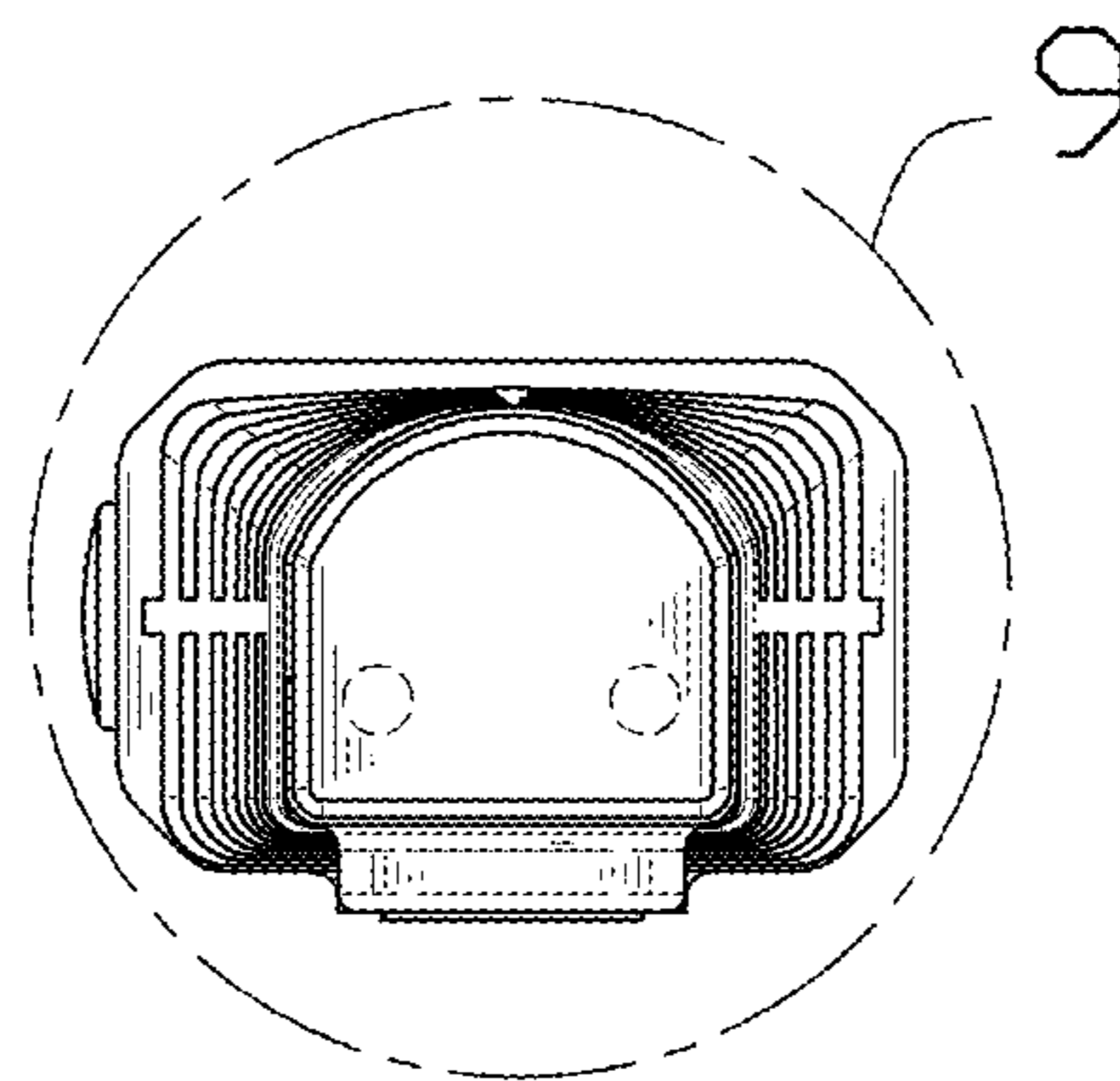


FIG. 8

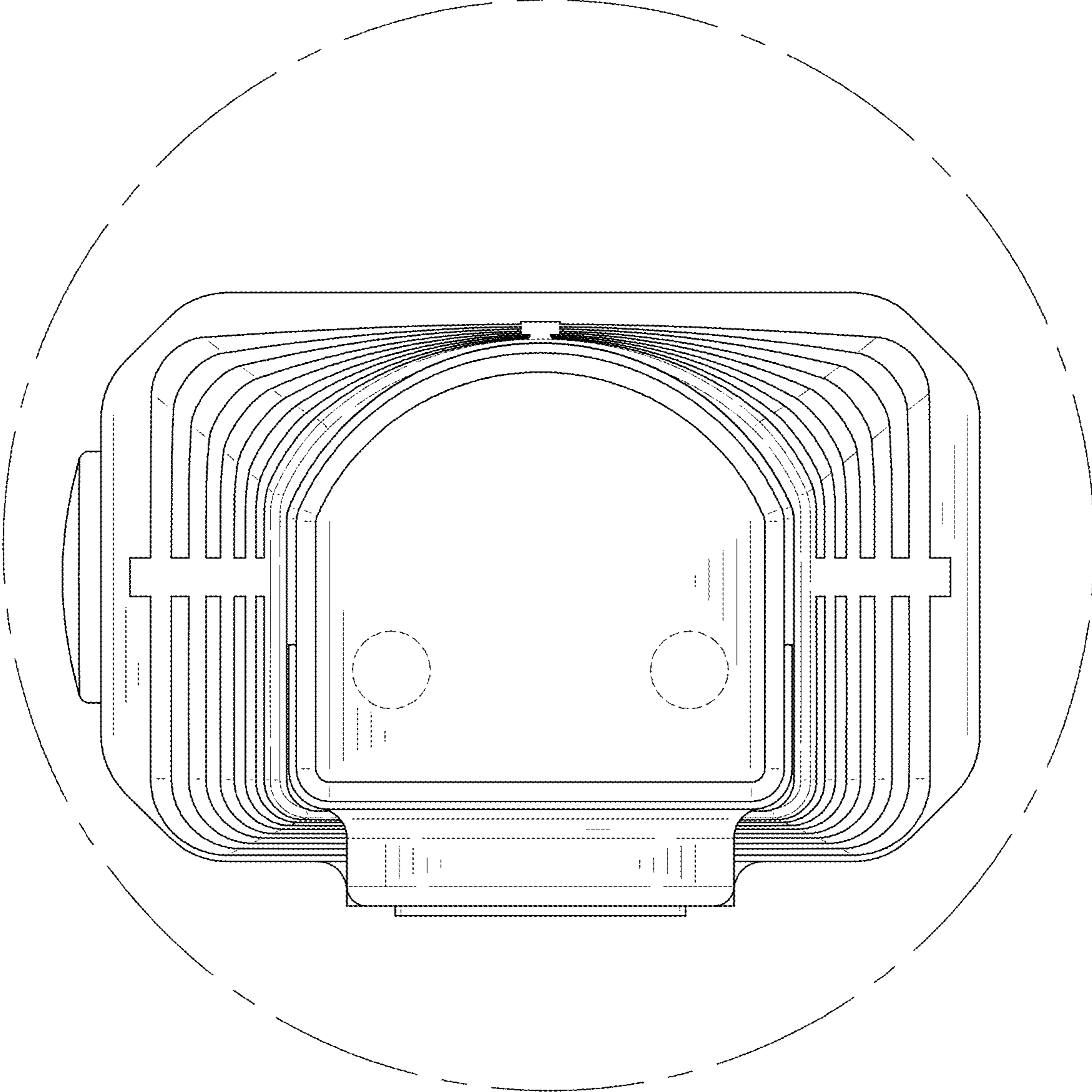


FIG. 9