



US00D879341S

(12) **United States Design Patent**
Kassin et al.

(10) **Patent No.:** **US D879,341 S**
(45) **Date of Patent:** **** Mar. 24, 2020**

- (54) **LED LIGHT**
- (71) Applicants: **Albert Kassin**, Brooklyn, NY (US);
George Lai, Portland, OR (US)
- (72) Inventors: **Albert Kassin**, Brooklyn, NY (US);
George Lai, Portland, OR (US)
- (73) Assignee: **Best Brands Consumer Products, Inc.**,
Merrick, NY (US)

D828,606	S	*	9/2018	Johnson	D26/80
D831,268	S	*	10/2018	Johnson	D26/142
D841,222	S	*	2/2019	Johnson	D26/89
2003/0137838	A1	*	7/2003	Rizkin	F21V 7/0091 362/240
2006/0104054	A1	*	5/2006	Coman	E01F 9/559 362/153.1
2006/0250789	A1	*	11/2006	Coushaine	F21S 9/02 362/157
2007/0139917	A1	*	6/2007	Ford	F21V 21/0885 362/208

(**) **Term:** **15 Years**

OTHER PUBLICATIONS

(21) **Appl. No.:** **29/618,086**

LED Dome Light—Mar. 2014 [online], [site visited Nov. 25, 2019]. Available from Internet, <URL:https://www.amazon.com/LED-Dome-Light-Downlight-Aircraft/dp/B00ISL4ZHM>. 8 pages (Year: 2014).*

(22) **Filed:** **Sep. 19, 2017**

(51) **LOC (12) Cl.** **26-02**

(52) **U.S. Cl.**
USPC **D26/37**

* cited by examiner

(58) **Field of Classification Search**
USPC D26/37–51
CPC F21L 2003/00; F21L 4/00; F21L 4/005;
F21L 4/02; F21L 4/025; F21L 4/027;
F21L 4/04; F21L 4/08; F21L 2005/00;
F21L 7/00; F21L 11/00; F21L 13/00;
F21L 13/04; F21L 13/08; F21L 14/02;
F21L 17/00; F21L 19/00; F21L 25/00

Primary Examiner — Lakiya G Rogers
Assistant Examiner — Carissa C Fitts
(74) *Attorney, Agent, or Firm* — Goldberg Cohen LLP

See application file for complete search history.

(57) **CLAIM**

We claim the ornamental design for an LED light, as shown and described.

(56) **References Cited**

DESCRIPTION

U.S. PATENT DOCUMENTS

D544,117	S	*	6/2007	Coushaine	D26/37
D574,551	S	*	8/2008	Park	D26/120
D614,781	S	*	4/2010	Huang	D26/2
D617,474	S	*	6/2010	Huang	D26/2
D617,930	S	*	6/2010	Chen	D26/60
D620,164	S	*	7/2010	Chen	D26/60
D682,451	S	*	5/2013	Hardy	D26/60
D691,322	S	*	10/2013	Tang	D26/124
D734,518	S	*	7/2015	Zimmermann	D26/39
D737,491	S	*	8/2015	Shen	D26/50
D740,474	S	*	10/2015	Pineau	D26/37
D790,094	S	*	6/2017	Ko	D26/28

FIG. 1 is a perspective view of the LED light of the present invention;
FIG. 2 is a top view of the LED light of the invention shown in FIG. 1;
FIG. 3 is a right side view of the LED light of the invention shown in FIG. 1, with the left side view being a mirror image thereof; and,
FIG. 4 is a bottom view, of the LED light of the invention shown in FIG. 1.
The broken lines depict features of the article that form no part of the claimed design.

1 Claim, 3 Drawing Sheets

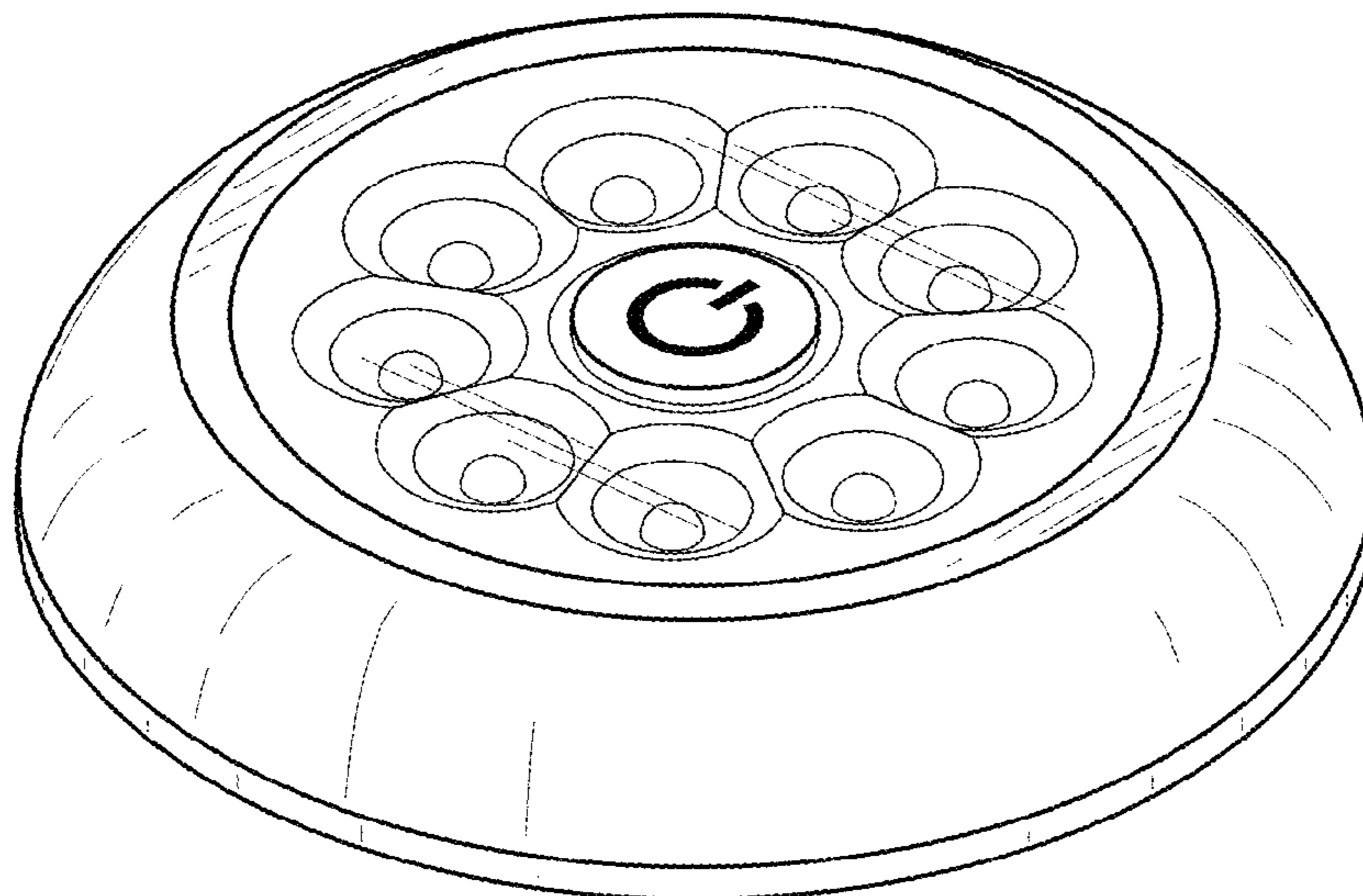


FIG. 1

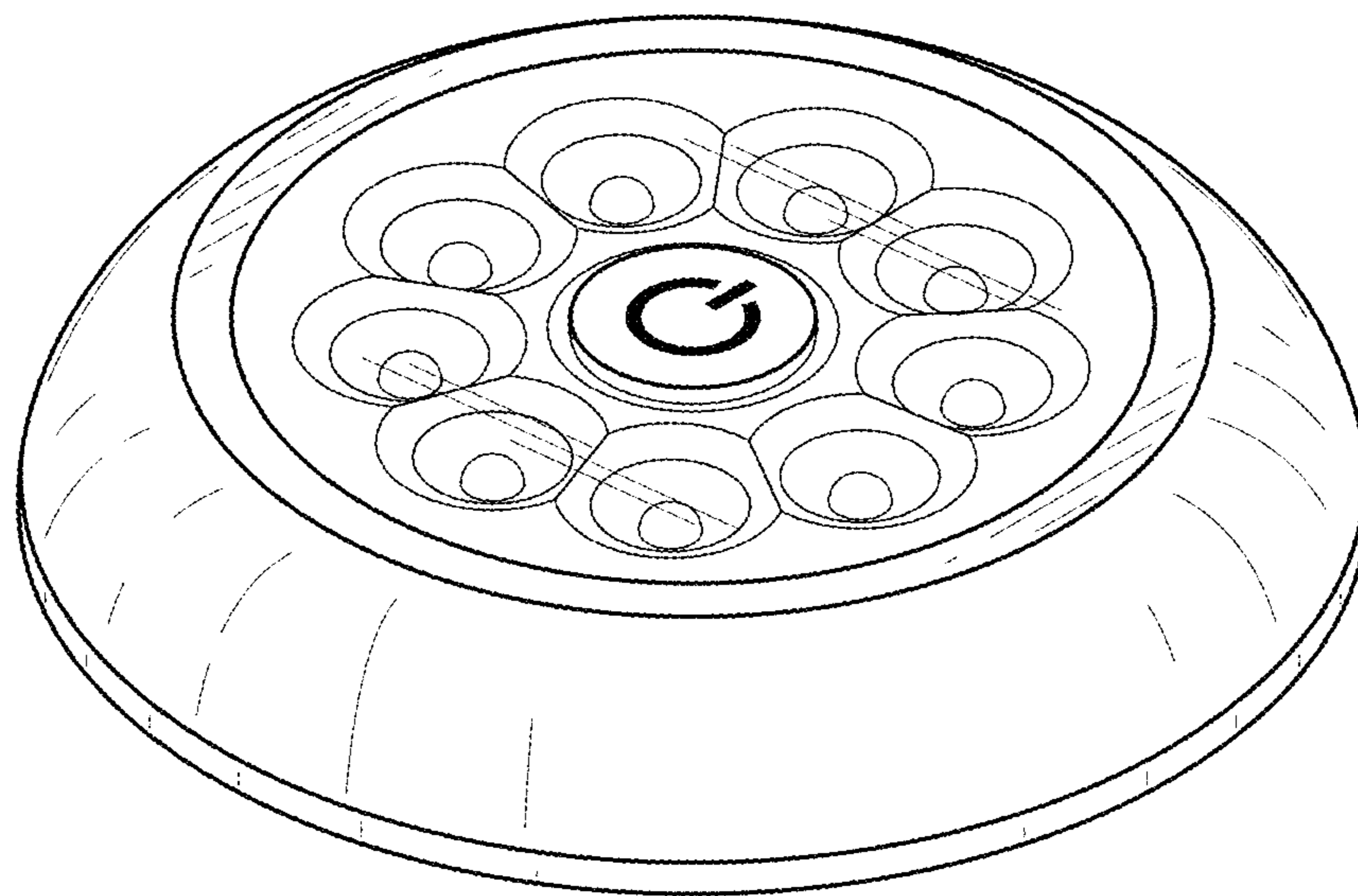


FIG. 2

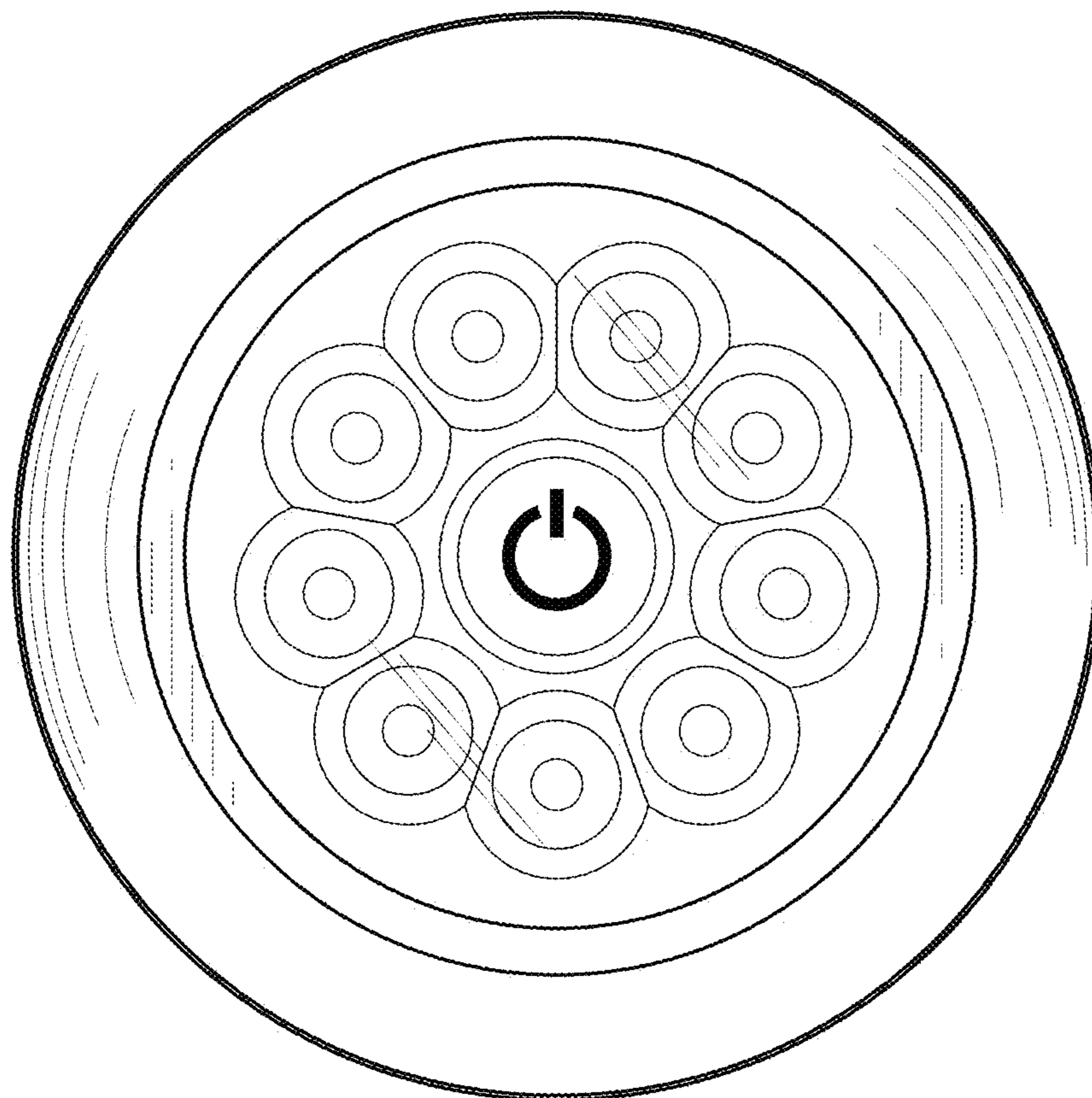


FIG. 3

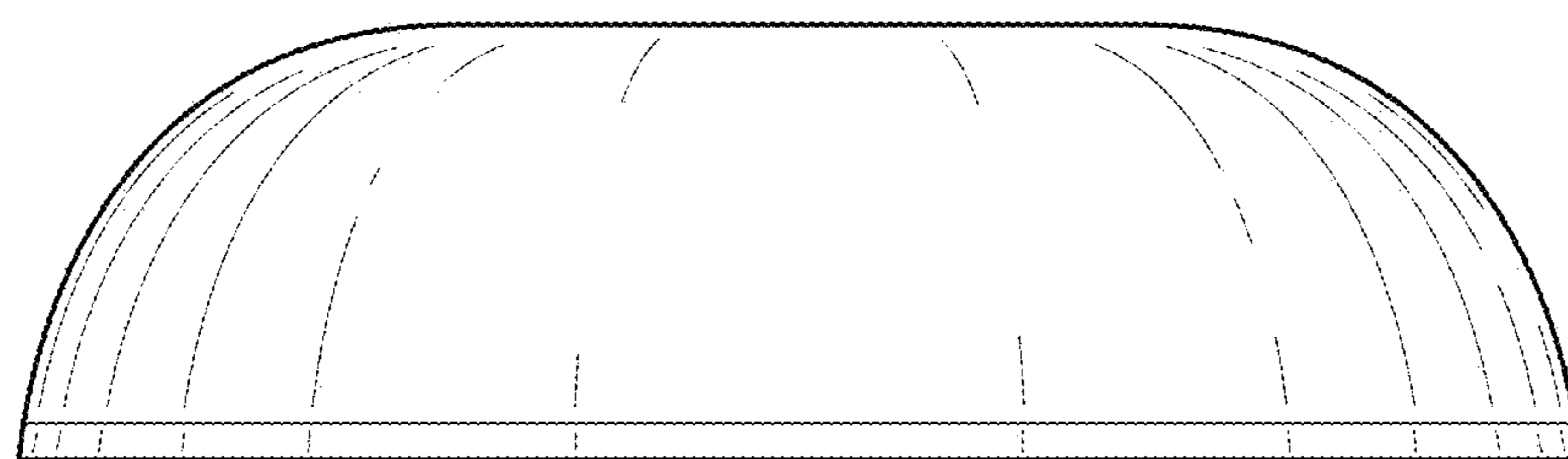


FIG. 4

