



US00D879340S

(12) **United States Design Patent** (10) **Patent No.:** **US D879,340 S**
Patel et al. (45) **Date of Patent:** **** Mar. 24, 2020**

(54) **HEAD LIGHT**

(71) Applicant: **Jaguar Land Rover Limited**, Whitley, Coventry (GB)

(72) Inventors: **Paven Patel**, Coventry (GB); **Alex Chan**, Coventry (GB)

(73) Assignee: **Jaguar Land Rover Limited**, Whitley, Coventry (GB)

(**) Term: **15 Years**

(21) Appl. No.: **29/629,601**

(22) Filed: **Dec. 14, 2017**

(30) **Foreign Application Priority Data**

Jun. 15, 2017 (EM) 004048932

(51) **LOC (12) Cl.** **26-06**

(52) **U.S. Cl.**
USPC **D26/28**

(58) **Field of Classification Search**
USPC D26/28, 139; D12/91, 164, 169
CPC .. F21S 41/00; F21S 48/10; F21S 41/20; F21S 48/115; F21S 48/225; F21S 48/1233; F21S 48/1266; F21S 48/1388; F21S 48/2268; F21V 21/04

See application file for complete search history.

(56) **References Cited**

U.S. PATENT DOCUMENTS

D728,850 S * 5/2015 Beaven D26/139
D739,575 S * 9/2015 Beaven D26/28
D739,579 S * 9/2015 Beaven D26/28
D749,756 S * 2/2016 Beaven D26/28
D751,231 S * 3/2016 Beaven D26/28
D754,912 S * 4/2016 Patel D26/139
D762,324 S * 7/2016 Egly D26/139

D764,082 S * 8/2016 Frascella D26/28
D766,498 S * 9/2016 Hatton D26/139
D768,319 S * 10/2016 Wheel D26/28

(Continued)

OTHER PUBLICATIONS

“Jaguar E-Pace D180 AWD R-Dynamic 2017 review.” Found online Jun. 4, 2019 at www.autocar.co.uk. Page dated Nov. 19, 2017. Retrieved from URL: <https://www.autocar.co.uk/car-review/jaguar/e-pace/first-drives/jaguar-e-pace-d180-awd-r-dynamic-2017-review> (Year: 2017).*

(Continued)

Primary Examiner — Mary Ann Calabrese

Assistant Examiner — Katelin G Kloberg

(74) *Attorney, Agent, or Firm* — Wood Herron & Evans LLP

(57) **CLAIM**

The ornamental design for a head light, as shown and described.

DESCRIPTION

FIG. 1 is a front, left side perspective view of a head light, showing our new design.

FIG. 2 is a front, right side perspective view thereof.

FIG. 3 is a rear, right side perspective view thereof.

FIG. 4 is a rear, left side perspective view thereof.

FIG. 5 is a front elevation view thereof.

FIG. 6 is a rear elevation view thereof.

FIG. 7 is a left side elevation view thereof.

FIG. 8 is a right side elevation view thereof.

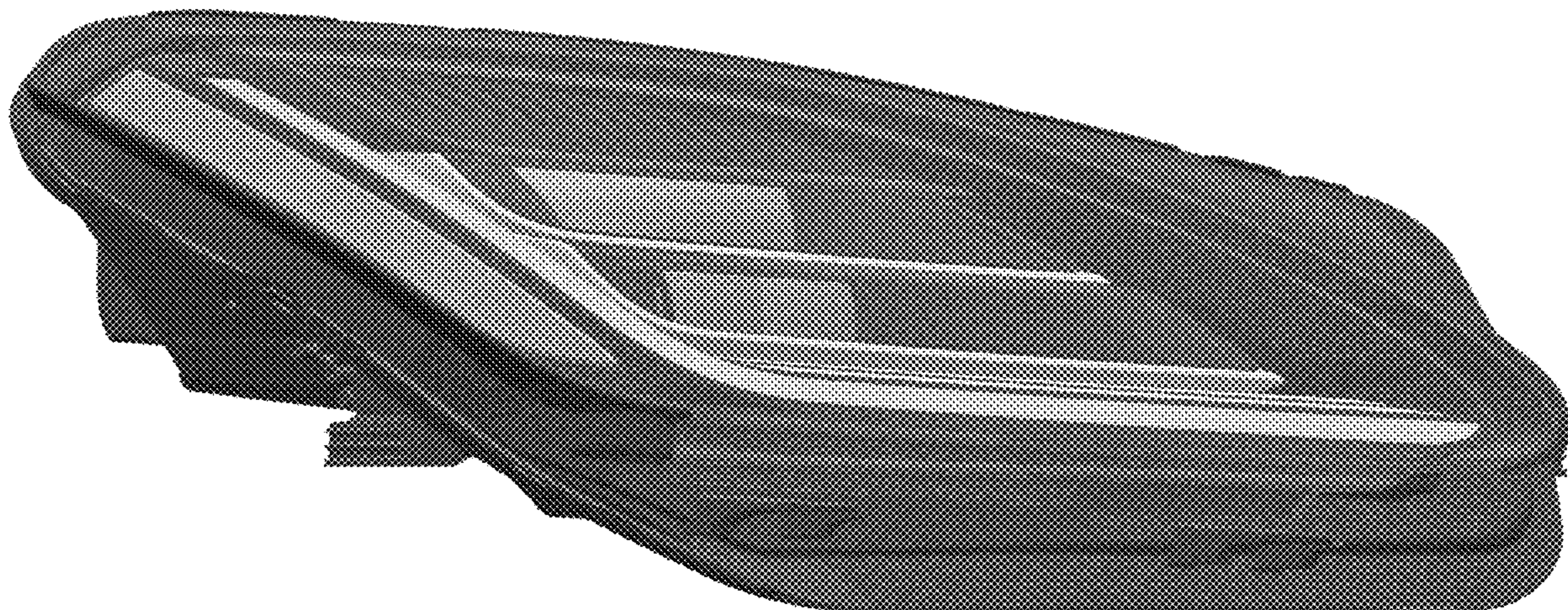
FIG. 9 is a top plan view thereof.

FIG. 10 is a bottom plan view thereof; and,

FIG. 11 is a front, left side perspective view thereof, shown within an environment of use.

In FIG. 11, the broken lines depict boundaries and form no part of the claimed design. The depiction of a vehicle shown de-emphasized in half-tones represents environmental subject matter that forms no part of the claimed design.

1 Claim, 11 Drawing Sheets



(56)

References Cited

U.S. PATENT DOCUMENTS

D781,473 S * 3/2017 Wheel D26/28
D783,469 S * 4/2017 Patel D12/164
D784,856 S * 4/2017 Hatton D12/91
D785,823 S * 5/2017 Knoedle-Bunte D26/28
D818,399 S * 5/2018 Frascella D12/91
D833,339 S * 11/2018 Patel D12/164
D843,619 S * 3/2019 Thomas D26/28
D846,766 S * 4/2019 Thomas D26/28
D847,024 S * 4/2019 Patel D12/91
D847,387 S * 4/2019 Thomas D26/28
D848,645 S * 5/2019 Thomas D26/28
D848,648 S * 5/2019 Thomas D26/28
D850,669 S * 6/2019 Hatton D26/28

OTHER PUBLICATIONS

“2019 Jaguar EPace Side HD.” Found online Jun. 4, 2019 at carreleasepreview.com. Page dated Oct. 16, 2017. Retrieved from URL: <https://carreleasepreview.com/2019-jaguar-e-pace/2019-jaguar-epace-side-hd/> (Year: 2017).*

“Jaguar Reveals E-Pace, the Crossover SUV for Millennial Couples.” Found online Jun. 4, 2019 at www.theverge.com. Page dated Jul. 13, 2017. Retrieved from URL: <https://www.theverge.com/2017/7/13/15964164/jaguar-e-pace-suv-photos-compact-crossover> (Year: 2017).*

“New Jaguar E-Pace Revealed in Belfast.” Found online Jun. 4, 2019 at blog.usedcarsni.com. Page dated Oct. 24, 2017. Retrieved from URL: <http://blog.usedcarsni.com/new-jaguar-e%E2%80%91pace-revealed-in-belfast/> (Year: 2017).*

* cited by examiner

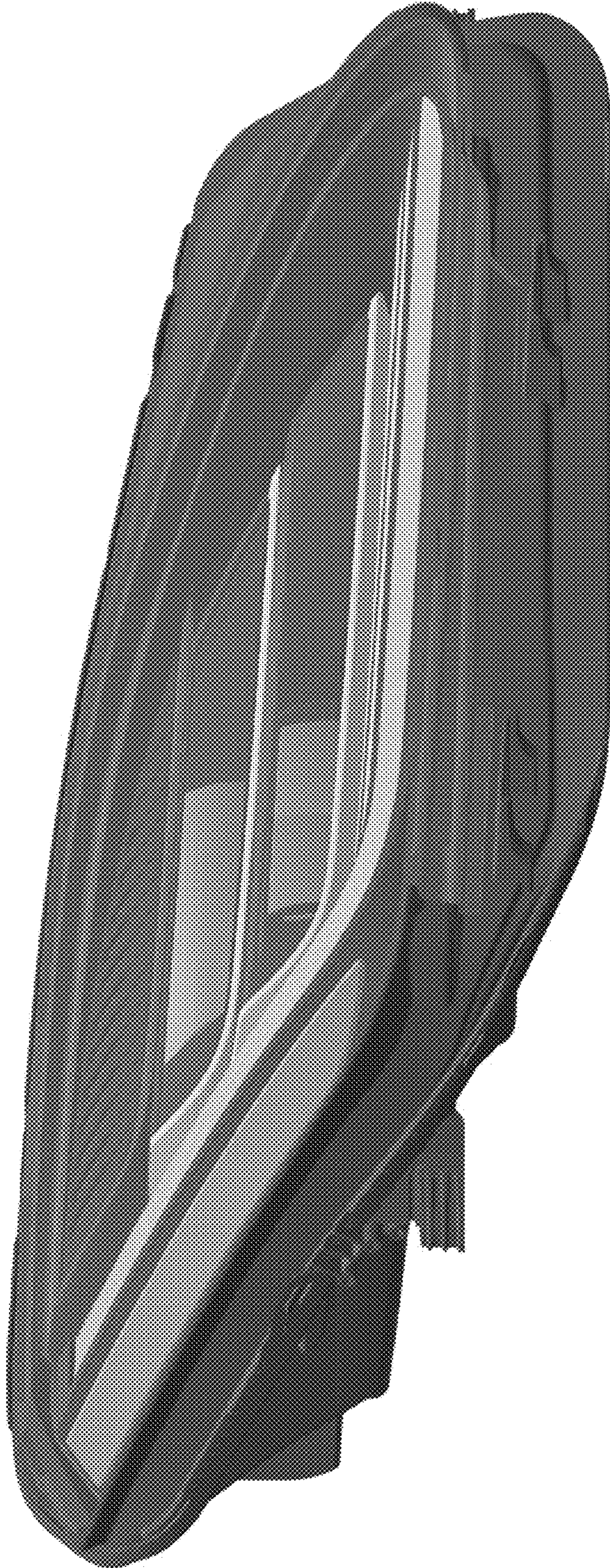


FIG. 1

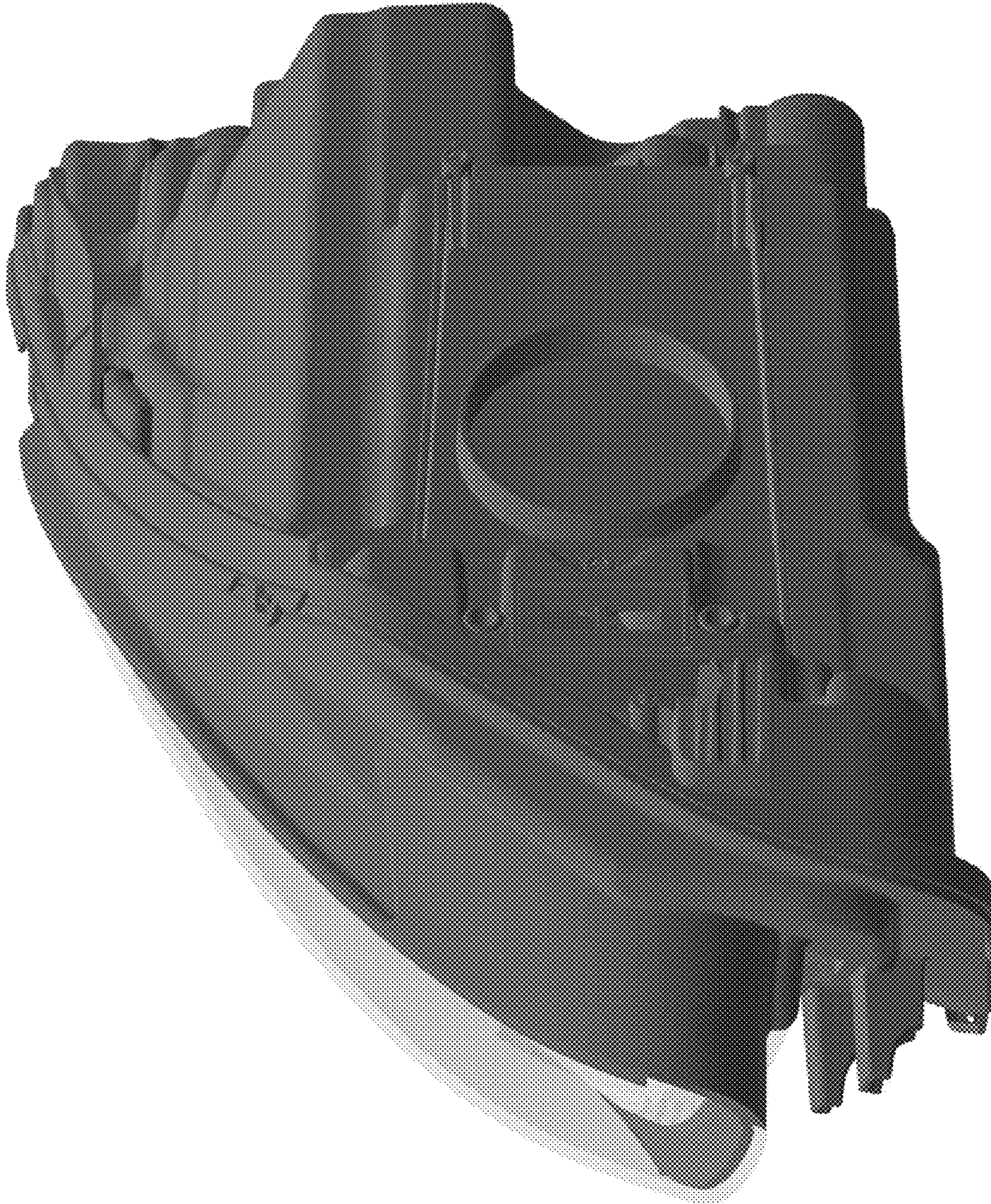


FIG. 2

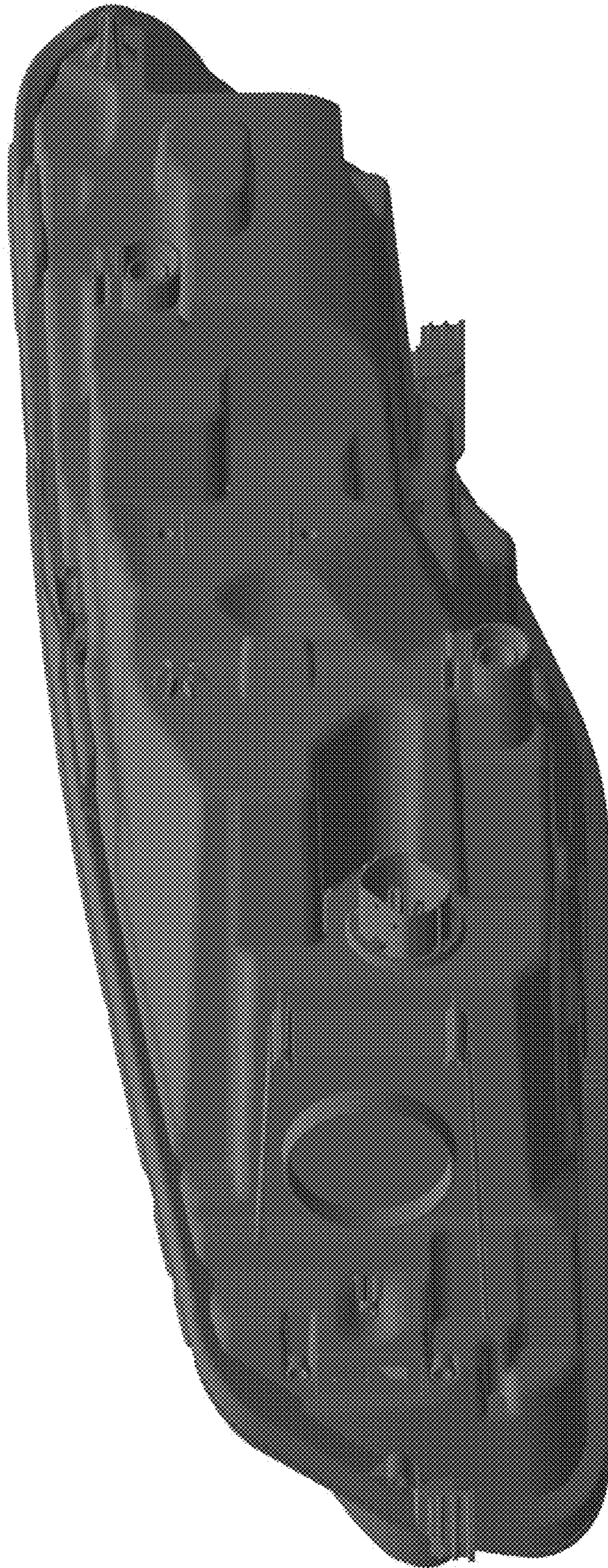


FIG. 3

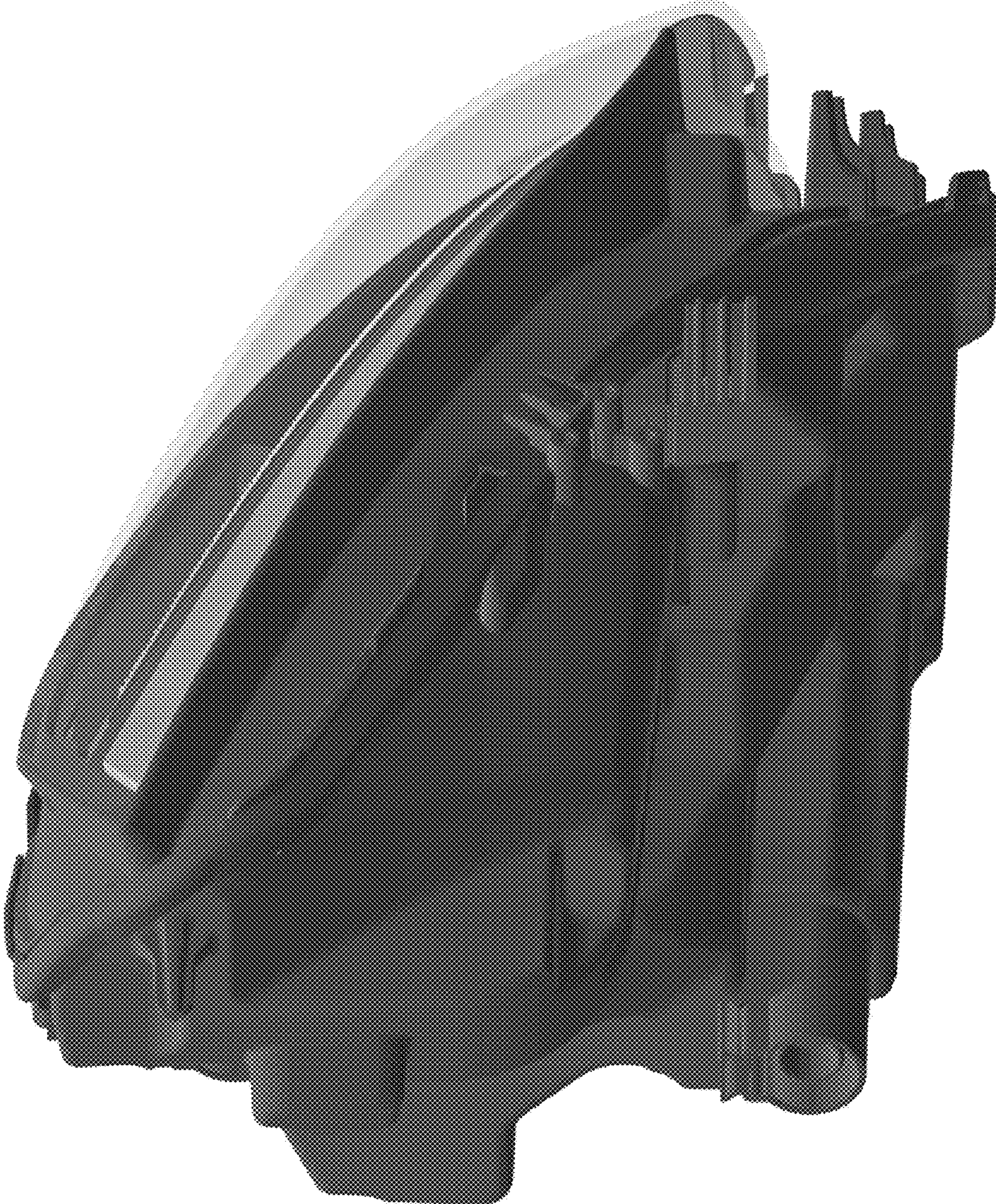


FIG. 4

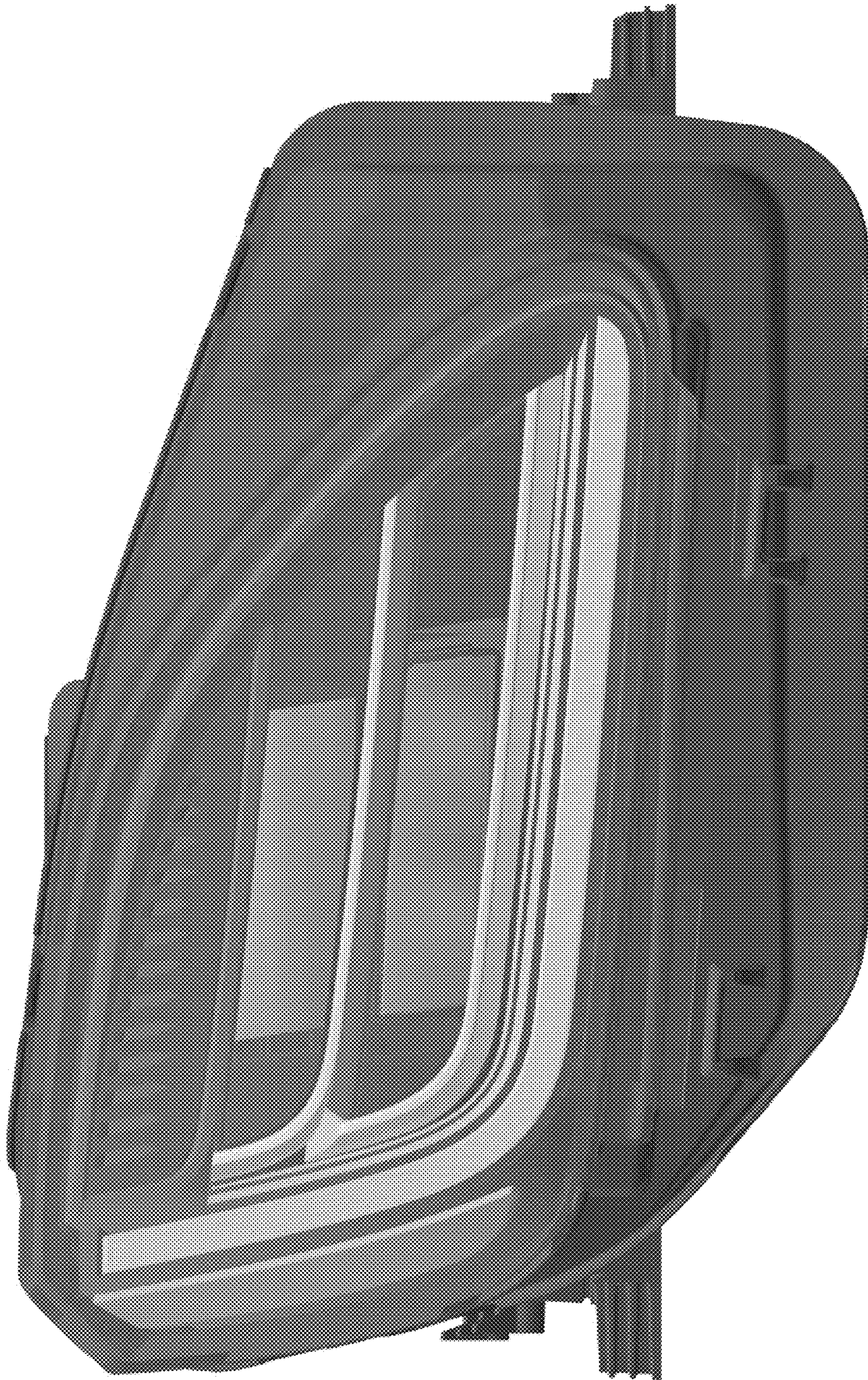


FIG. 5

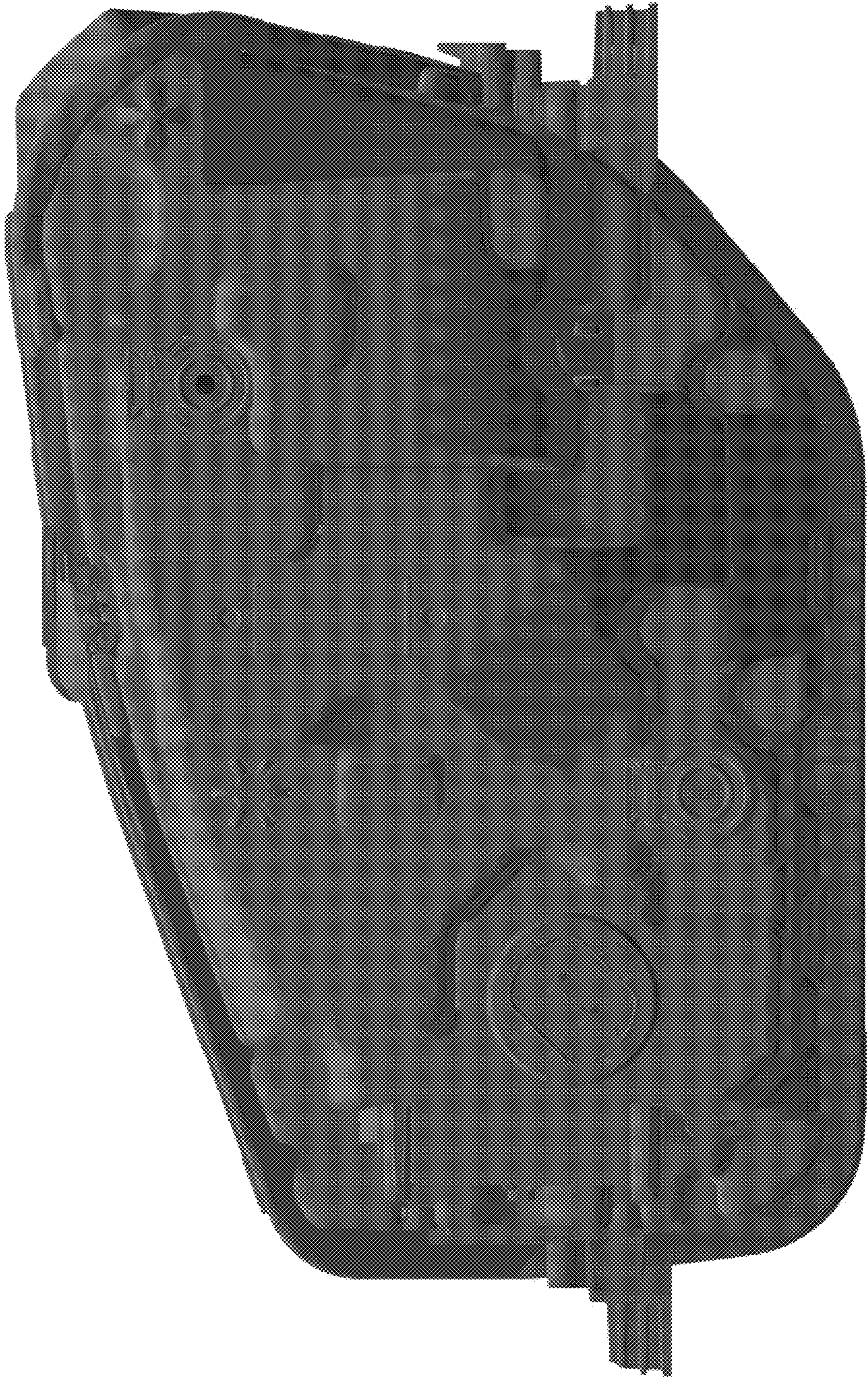


FIG. 6

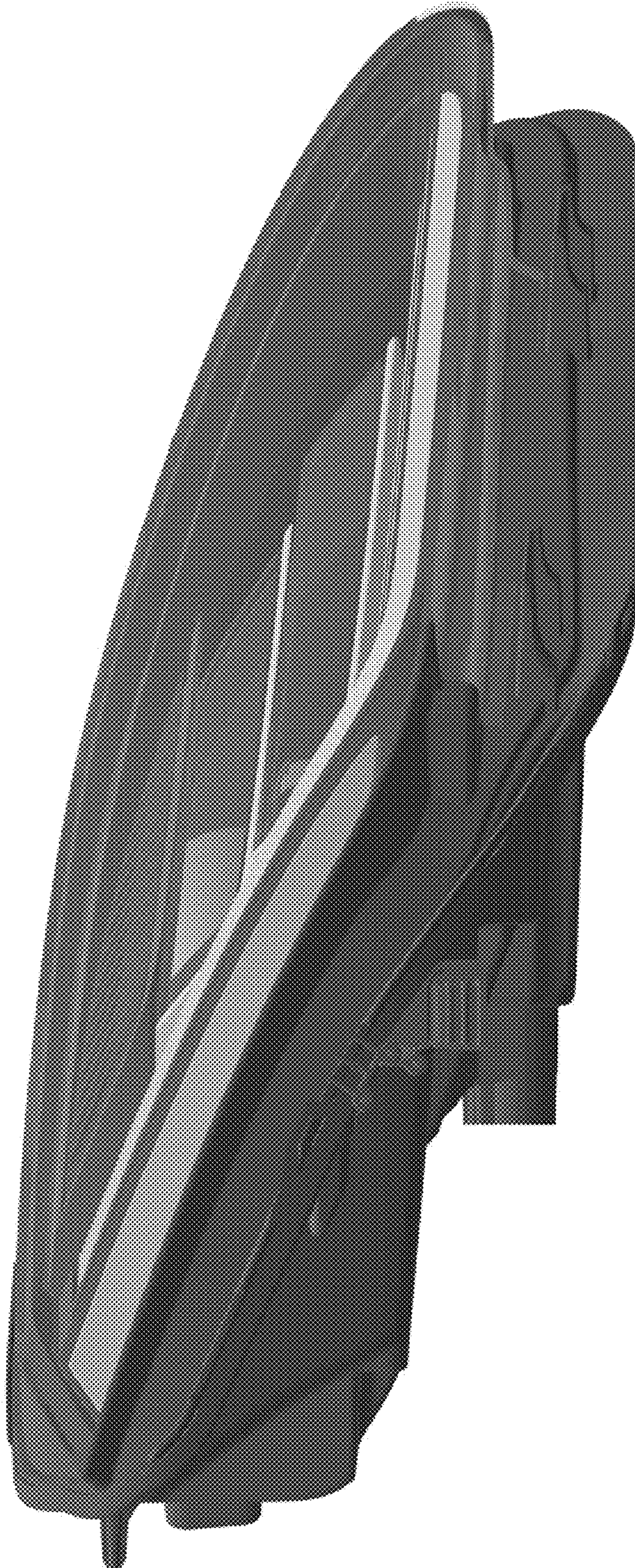


FIG. 7

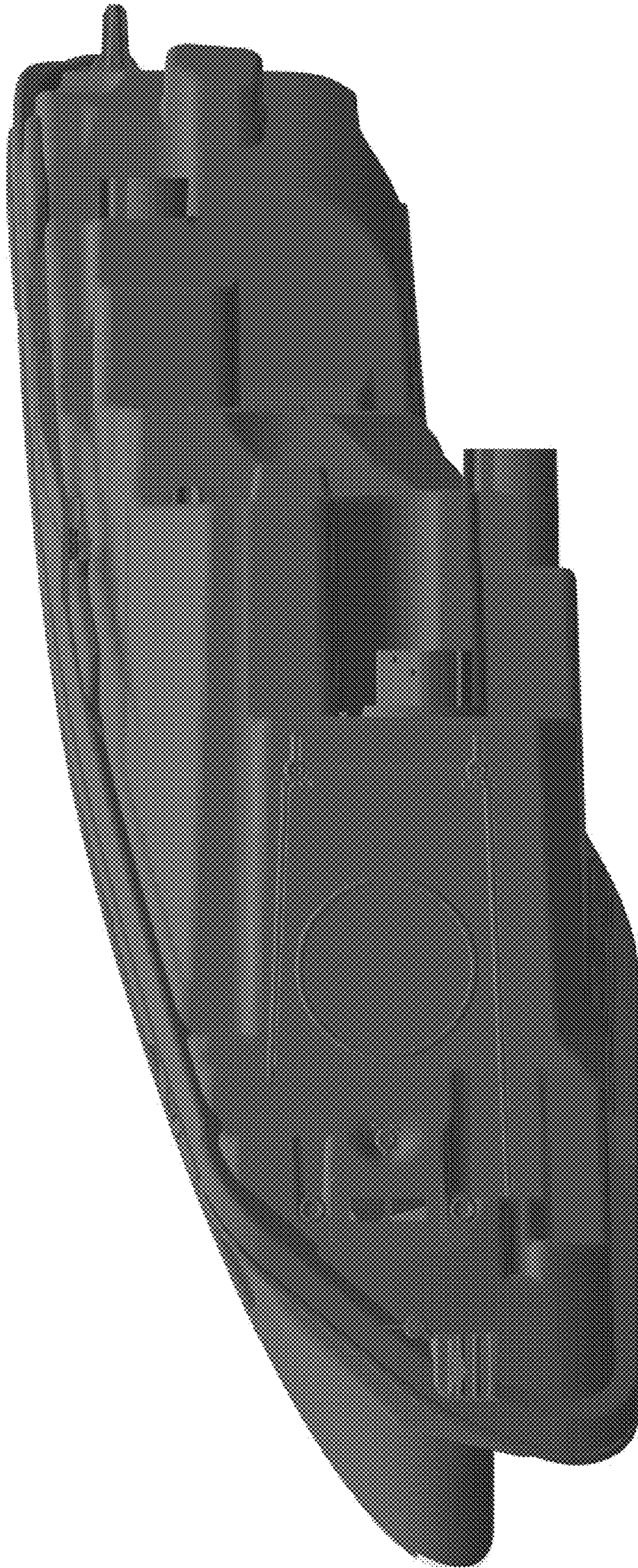


FIG. 8

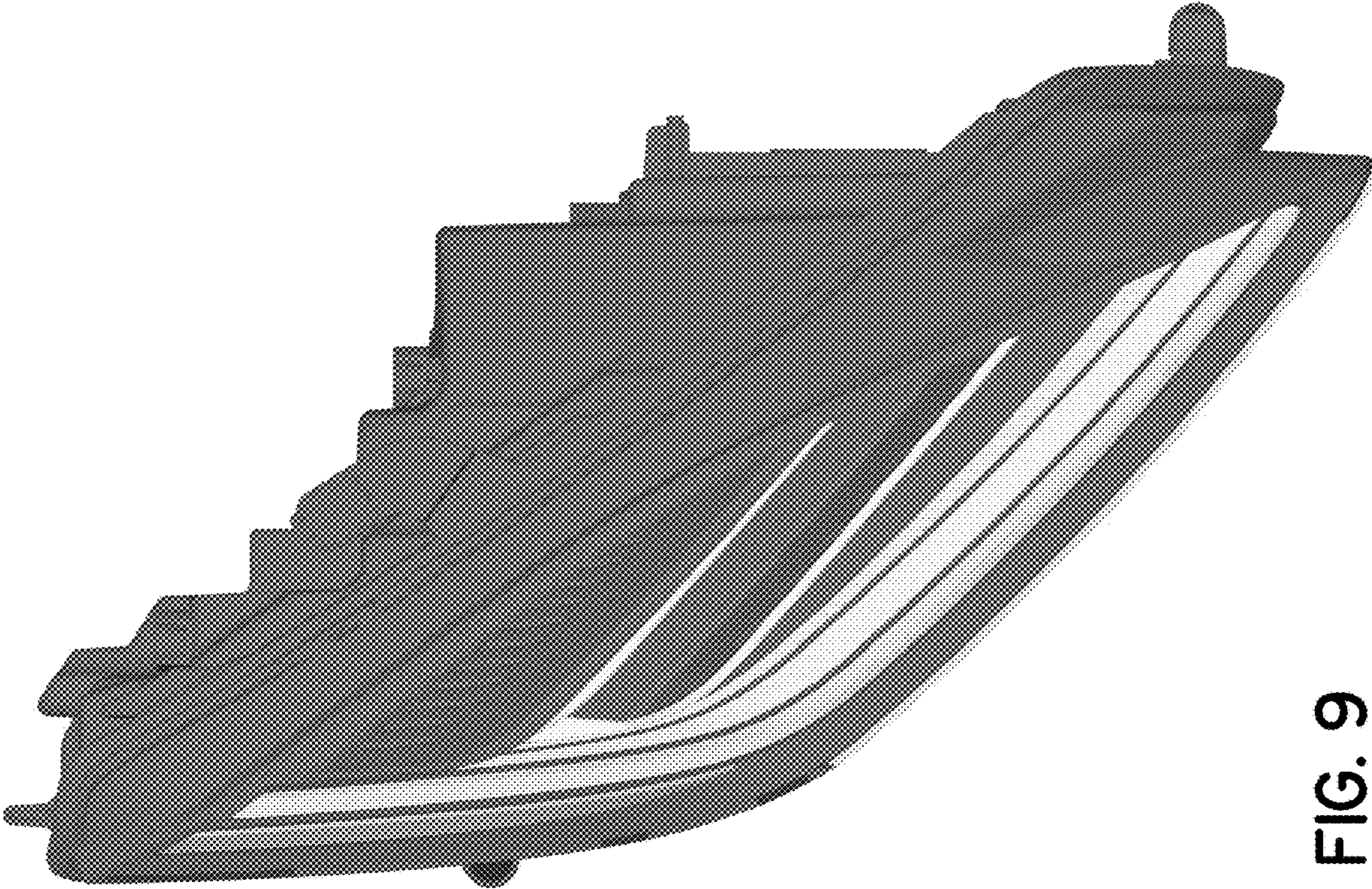


FIG. 9

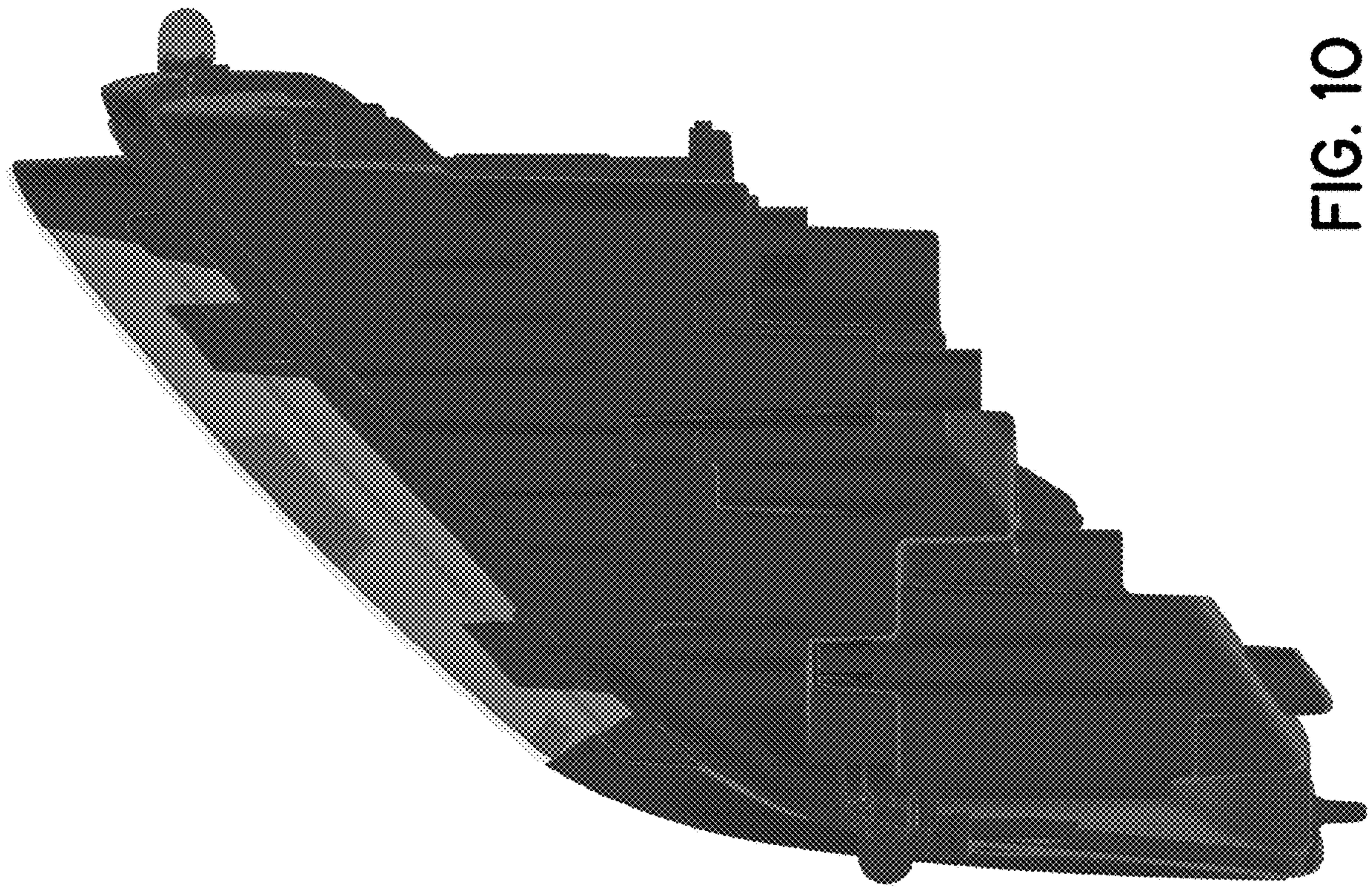


FIG. 10

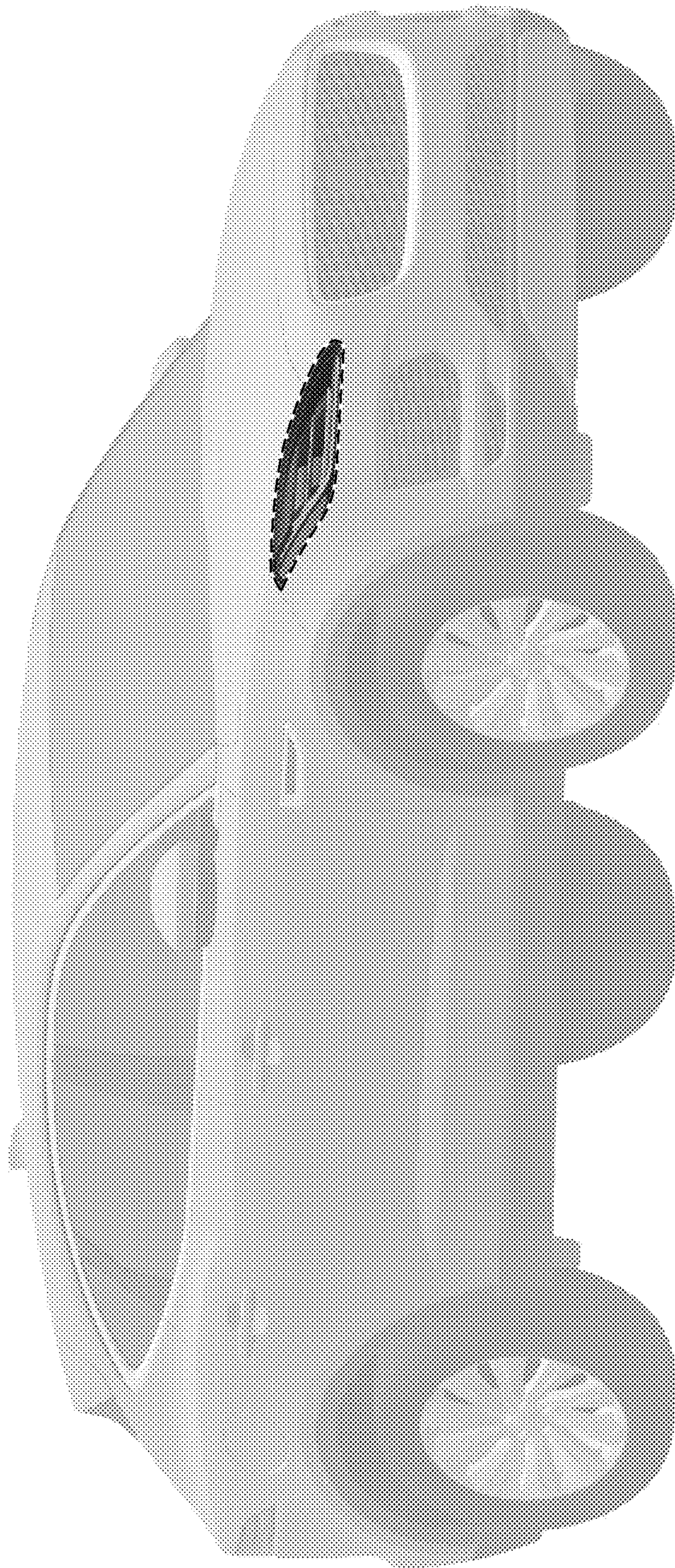


FIG. 11