



US00D879333S

(12) **United States Design Patent**
Zulauf

(10) **Patent No.:** **US D879,333 S**

(45) **Date of Patent:** **** Mar. 24, 2020**

(54) **PORTION OF A LED LAMP**

D549,360 S * 8/2007 An D26/2
D550,864 S * 9/2007 Hernandez, Jr. D26/2
D689,215 S * 9/2013 Xue D26/2

(71) Applicant: **Besselink Licht Import B.V.**

* cited by examiner

(72) Inventor: **Patrick Nicole Zulauf**, Basel (CH)

Primary Examiner — Marcus A Jackson

(73) Assignee: **Besselink Licht Import B.V.**, Duiven (NL)

(74) *Attorney, Agent, or Firm* — Kilpatrick Townsend and Stockton LLP

(**) Term: **15 Years**

(21) Appl. No.: **29/669,237**

(22) Filed: **Nov. 6, 2018**

(51) **LOC (12) Cl.** **26-04**

(52) **U.S. Cl.**
USPC **D26/2**

(58) **Field of Classification Search**
USPC D26/1-4
CPC H01R 5/00; H01R 13/46; H01R 13/514;
H01R 31/048; H01R 31/02; H01J 5/00;
H01J 5/16; H01J 1/02; H01J 15/00; H01J
5/48; H01J 5/50; H01J 19/54; F21V 5/00;
F21V 29/004; F21K 9/00; F21K 13/00
See application file for complete search history.

(57) **CLAIM**

The ornamental design for an portion of a LED lamp, as shown and described.

DESCRIPTION

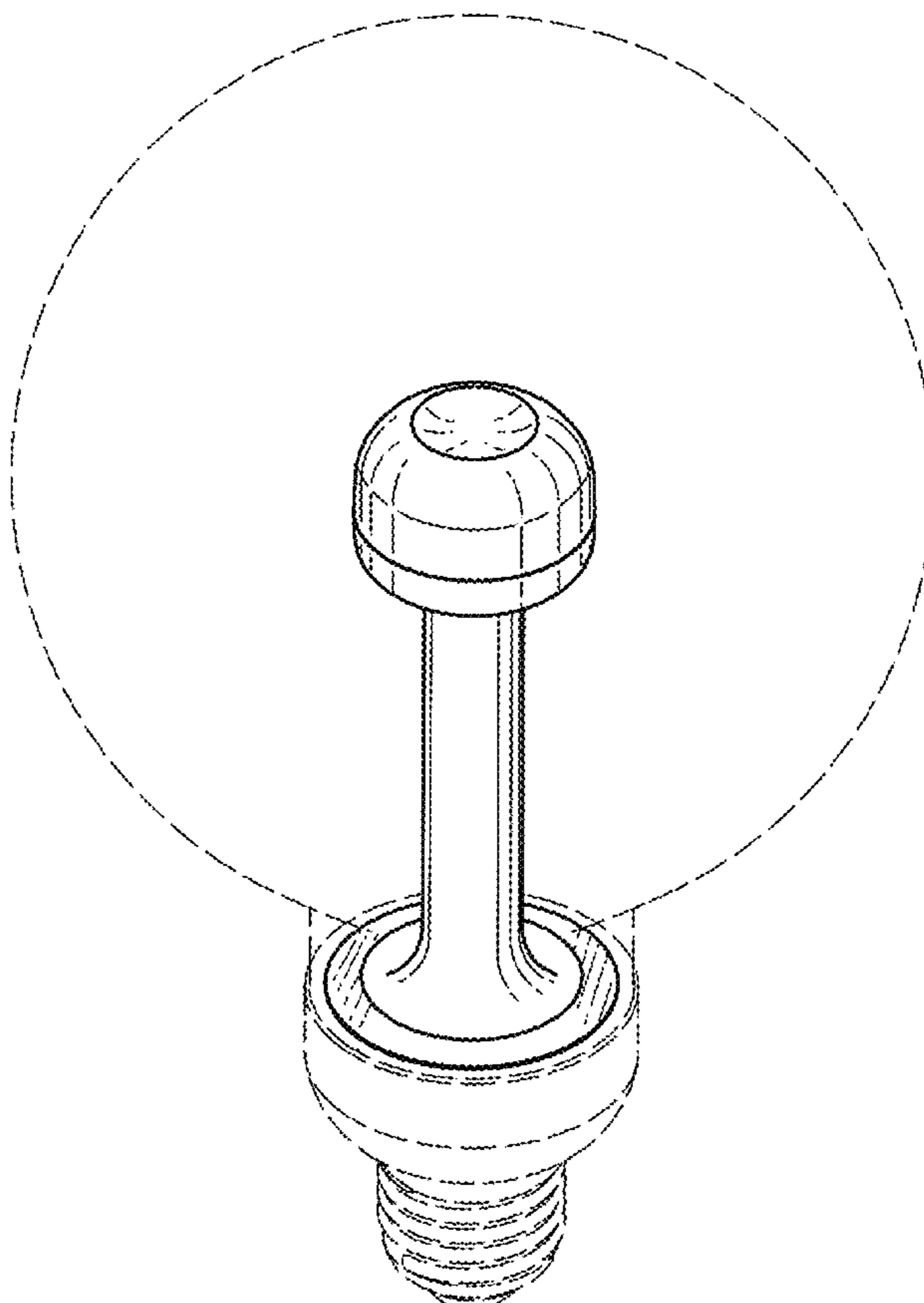
FIG. 1 is a front view of an portion of a LED lamp, showing my new design;
FIG. 2 is a top perspective view thereof;
FIG. 3 is bottom perspective view thereof;
FIG. 4 is a top view thereof; and,
FIG. 5 is a bottom view thereof.
The broken line showing on the drawing disclosure is for illustrative purposes only and forms no part of the claimed design.

(56) **References Cited**

U.S. PATENT DOCUMENTS

D410,554 S * 6/1999 Guyton D26/2
D422,099 S * 3/2000 Kracke D26/2

1 Claim, 5 Drawing Sheets



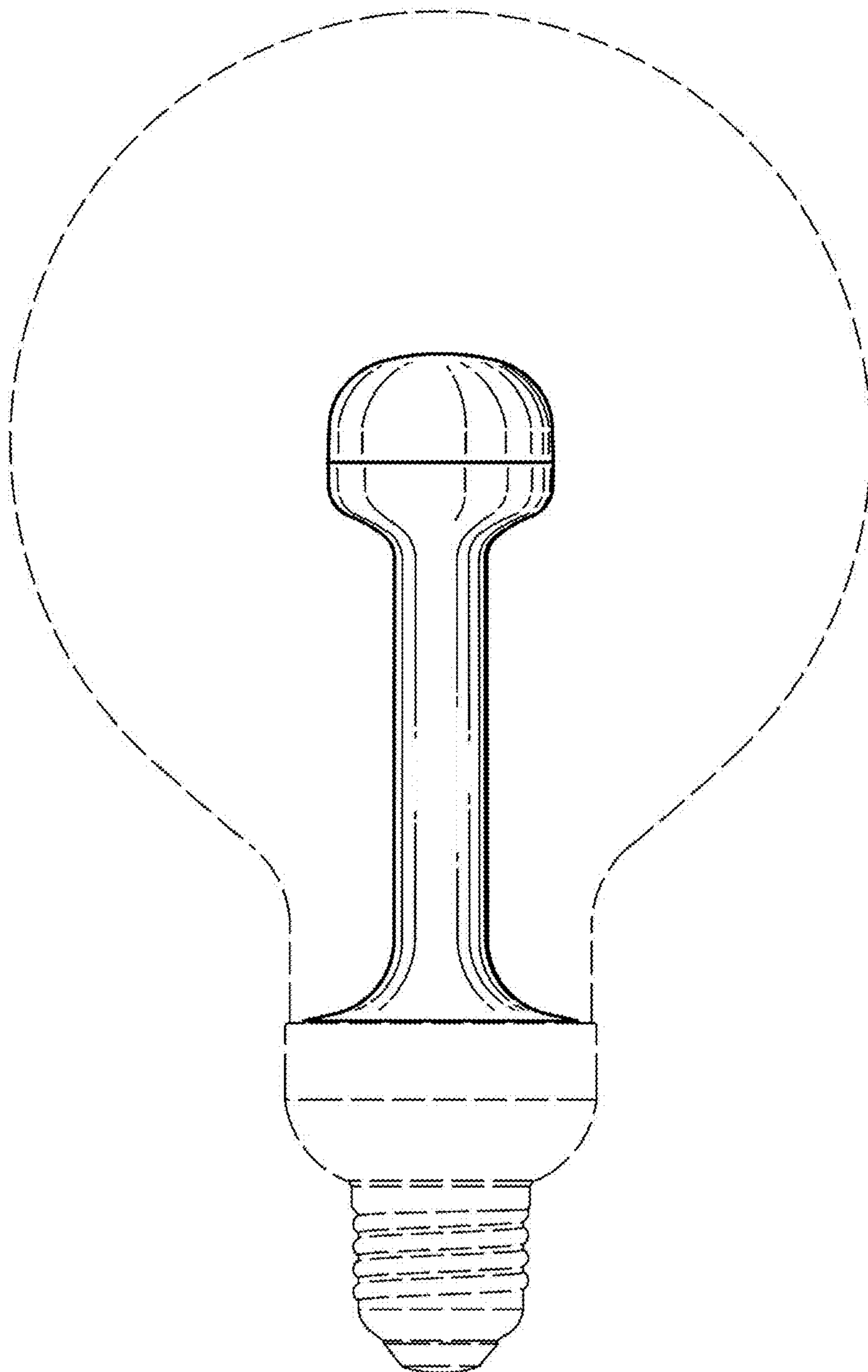


FIG. 1

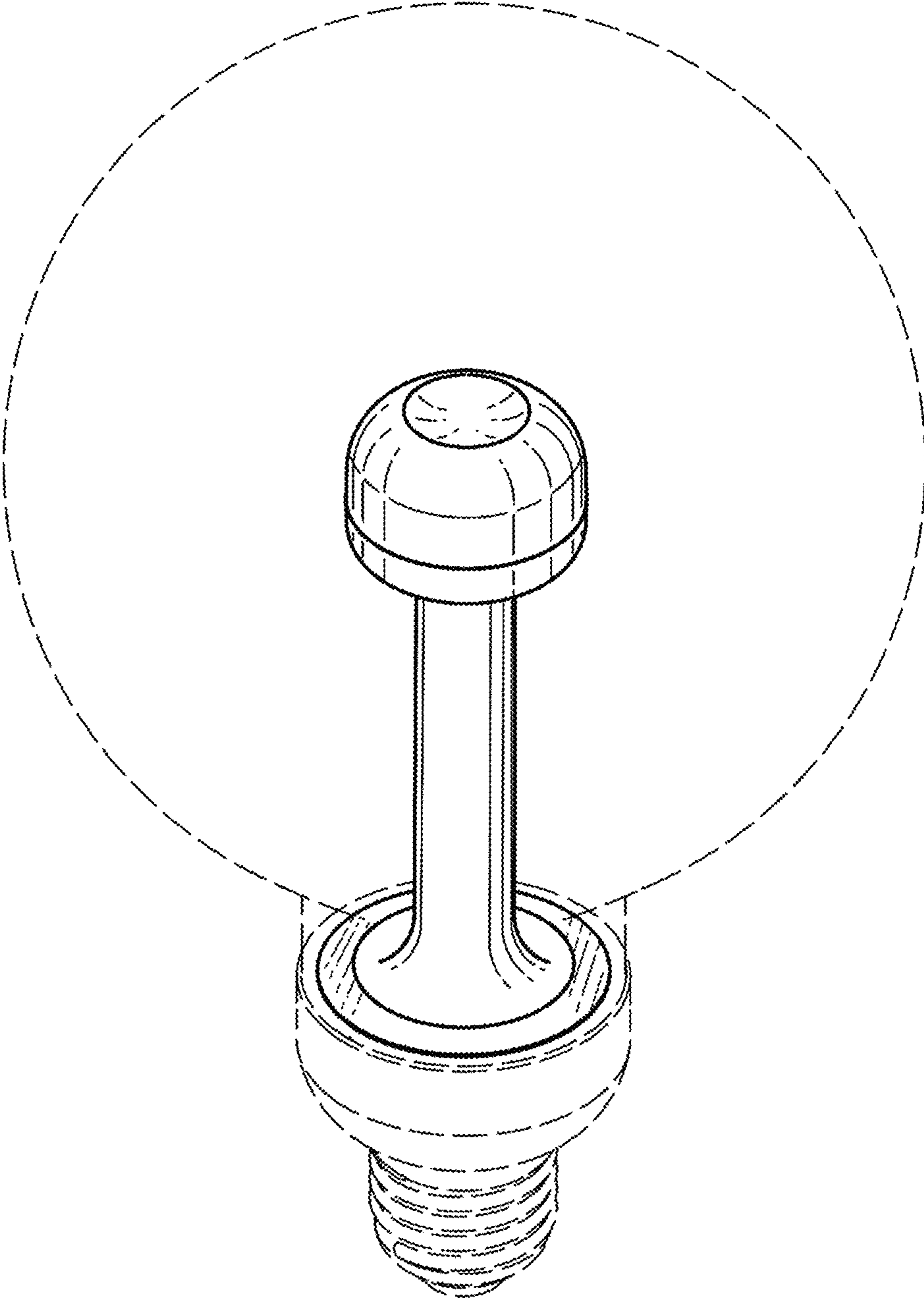


FIG. 2

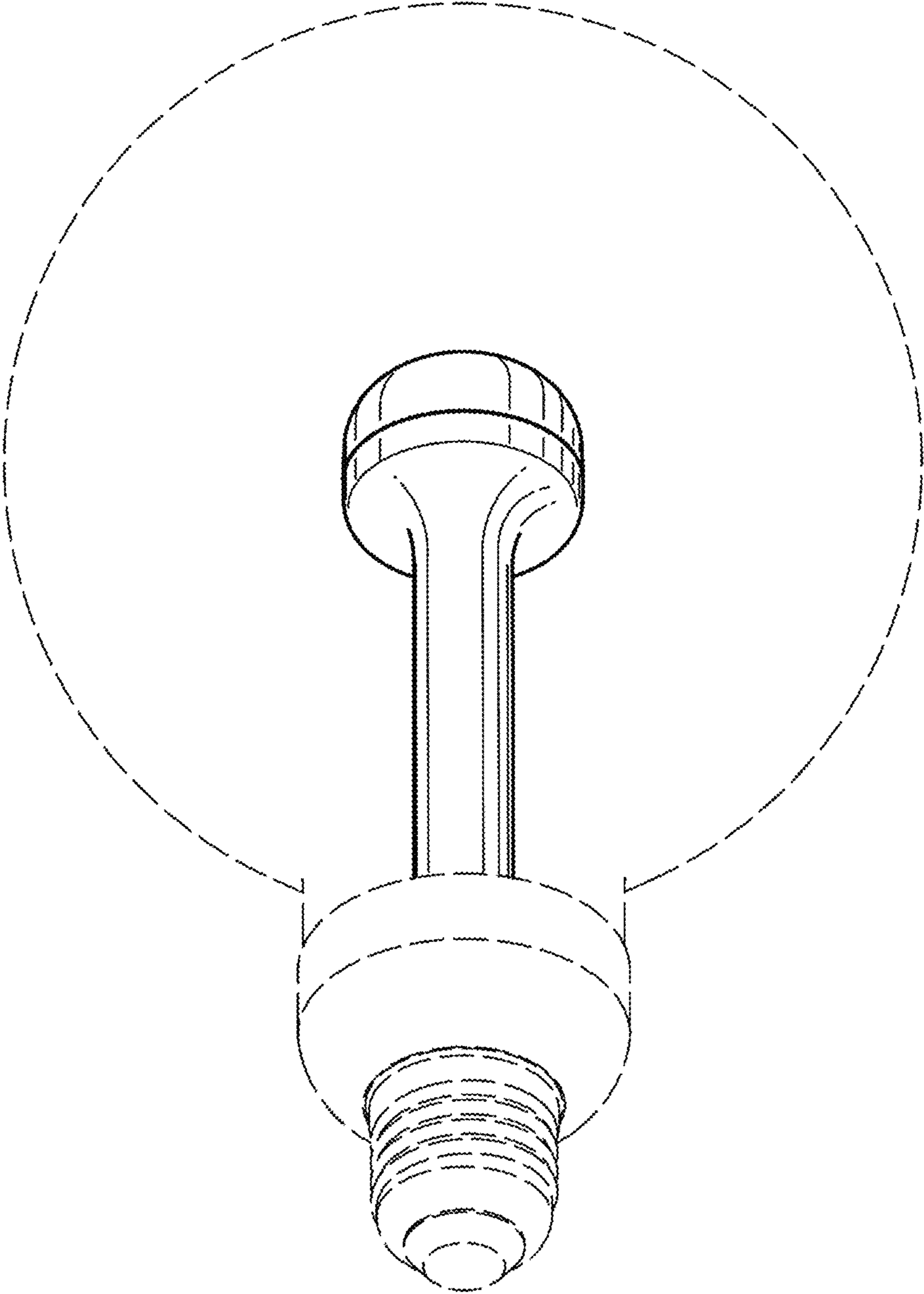


FIG. 3

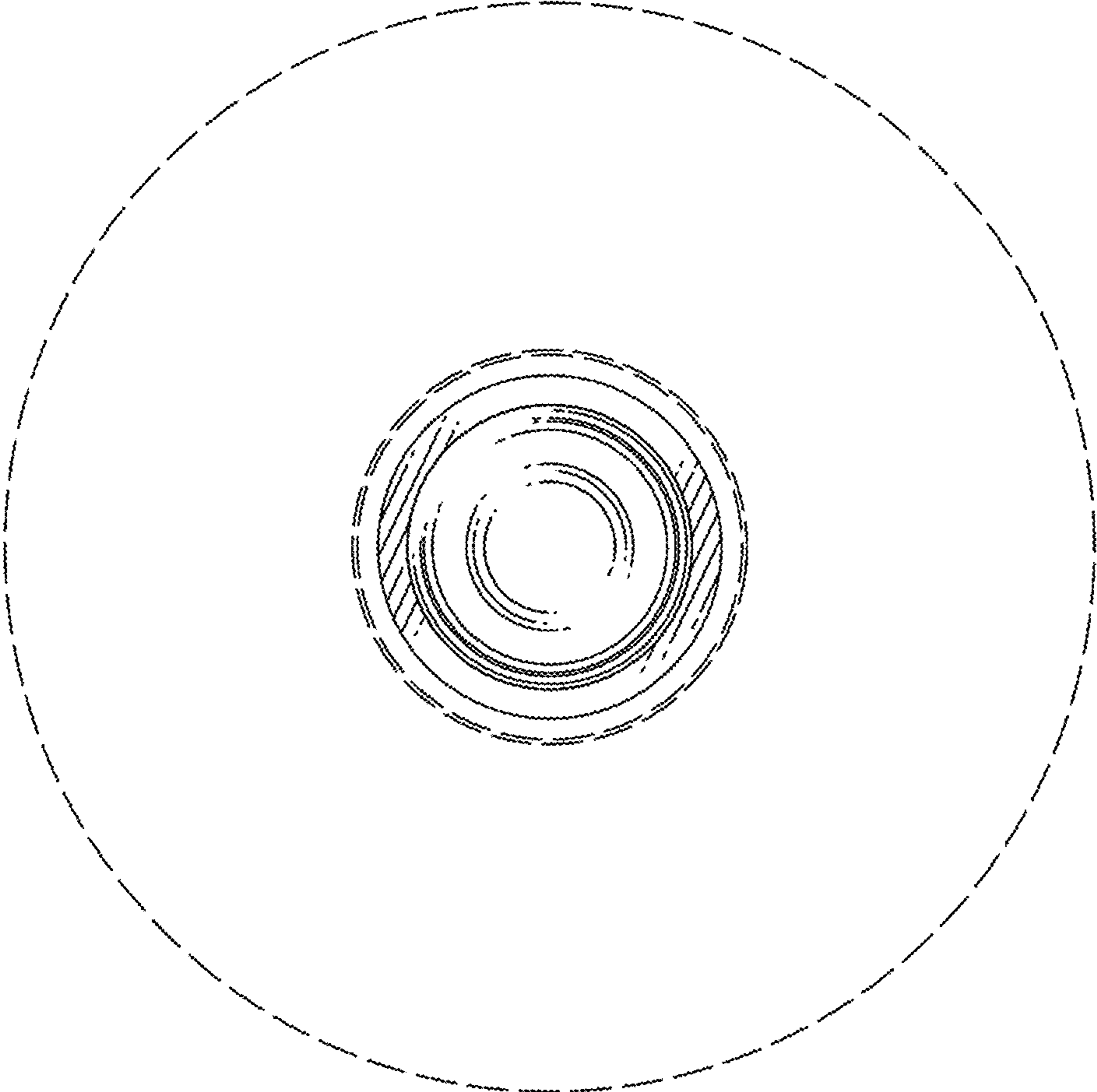


FIG. 4

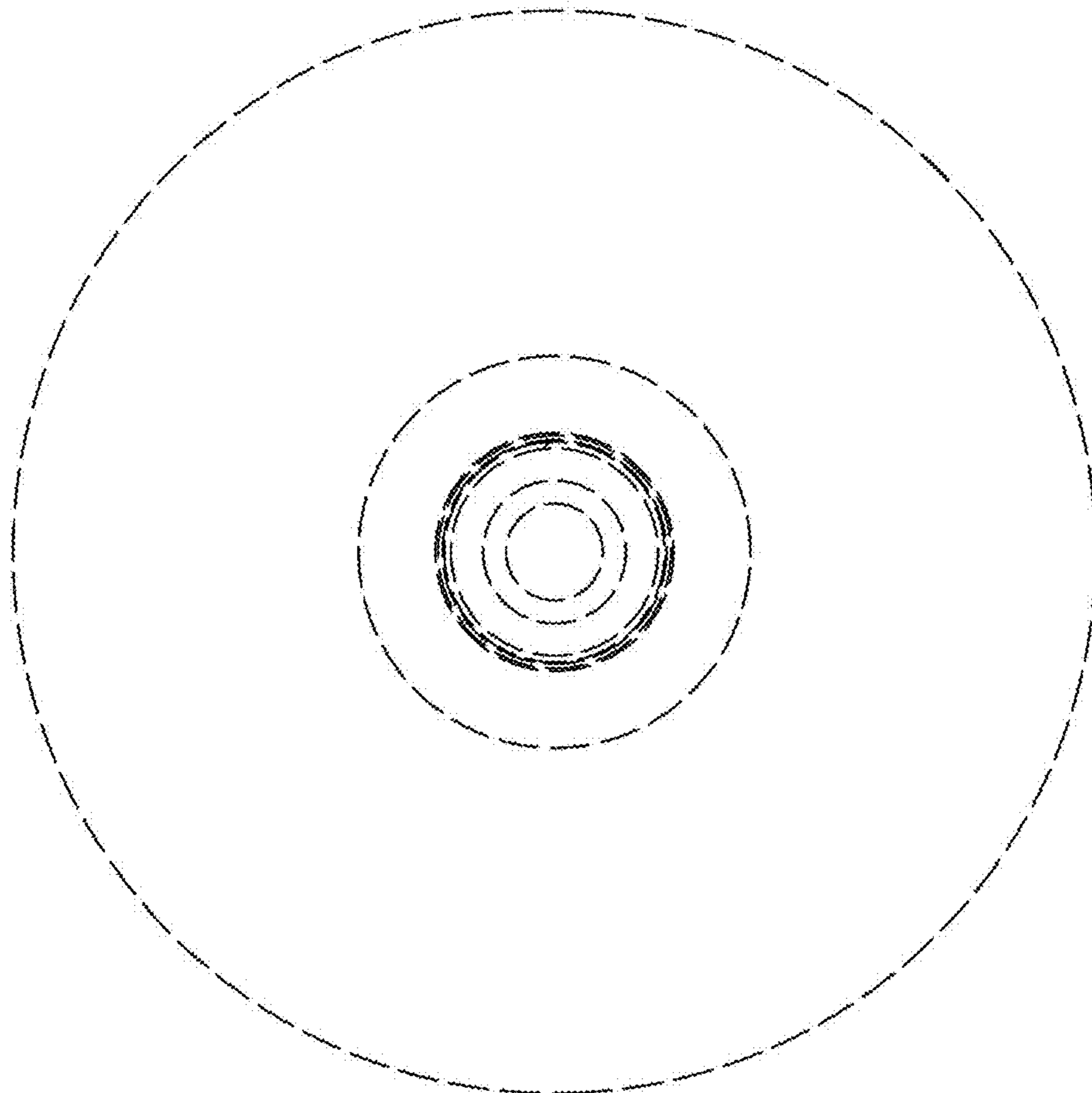


FIG. 5