



US00D879331S

(12) **United States Design Patent**
Zulauf

(10) **Patent No.:** **US D879,331 S**
(45) **Date of Patent:** **** Mar. 24, 2020**

(54) **LIGHT BULB WITH INTERNAL REFLECTOR**

(71) Applicant: **Besselink Licht Import B.V.**

(72) Inventor: **Patrick Nicole Zulauf, Basel (CH)**

(73) Assignee: **Besselink Licht Import B.V., Duiven (NL)**

(**) Term: **15 Years**

(21) Appl. No.: **29/669,234**

(22) Filed: **Nov. 6, 2018**

(51) **LOC (12) Cl.** **26-04**

(52) **U.S. Cl.**
USPC **D26/2**

(58) **Field of Classification Search**
USPC D26/1-4
CPC H01R 5/00; H01R 13/46; H01R 13/514;
H01R 31/048; H01R 31/02; H01J 5/00;
H01J 5/16; H01J 1/02; H01J 15/00; H01J
5/48; H01J 5/50; H01J 19/54; F21V 5/00;
F21V 29/004; F21K 9/00; F21K 13/00

See application file for complete search history.

(56) **References Cited**

U.S. PATENT DOCUMENTS

D394,512 S *	5/1998	Vakil	D26/2
D422,099 S *	3/2000	Kracke	D26/2
D506,840 S *	6/2005	Van de Ven	D26/2
D539,937 S *	4/2007	Mama	D26/2

* cited by examiner

Primary Examiner — Marcus A Jackson

(74) *Attorney, Agent, or Firm* — Kilpatrick Townsend and Stockton LLP

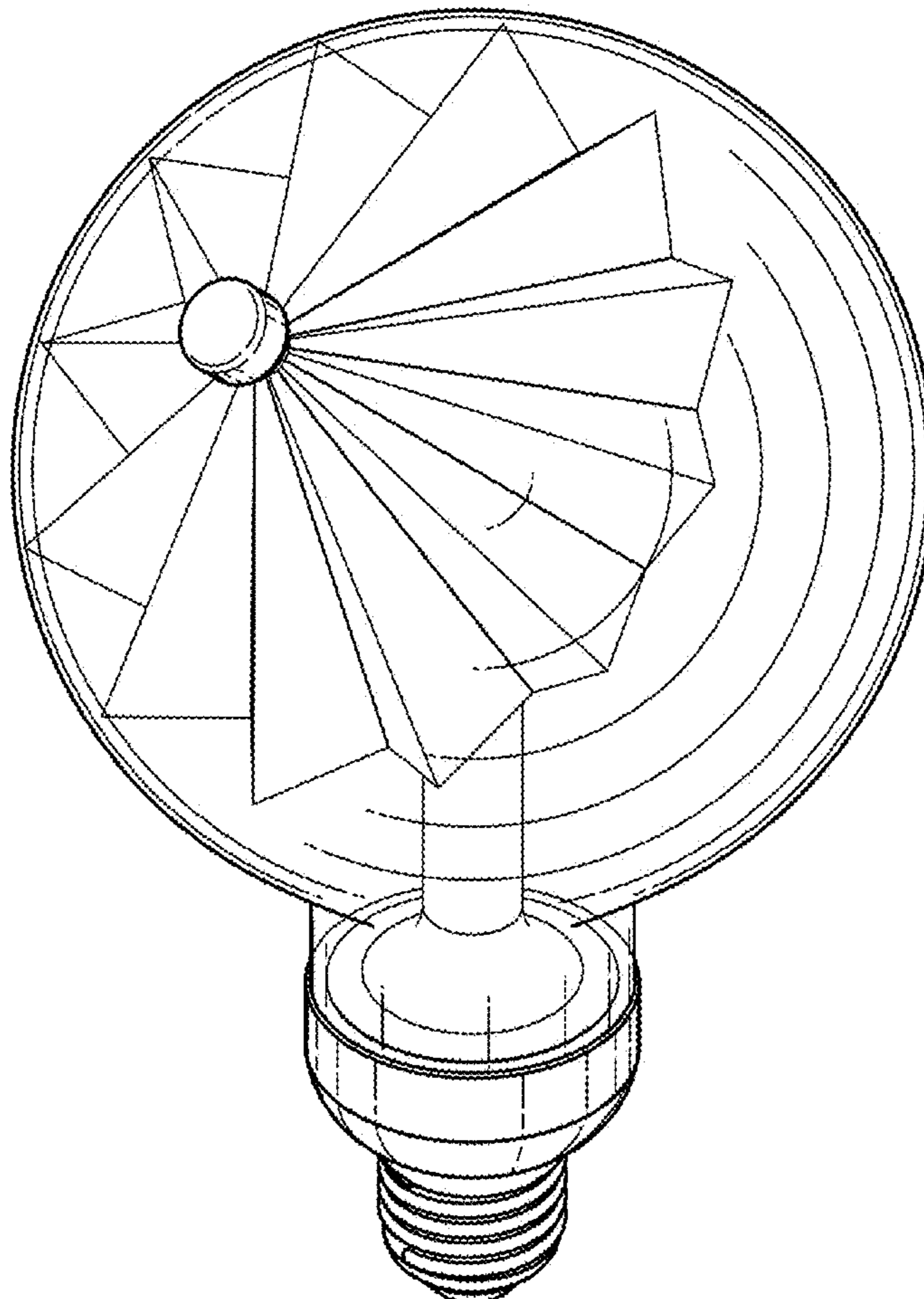
(57) **CLAIM**

The ornamental design for a light bulb with internal reflector, as shown and described.

DESCRIPTION

FIG. 1 is a top perspective view of a light bulb with internal reflector showing my new design;
FIG. 2 is a bottom perspective view thereof;
FIG. 3 is a left side view thereof;
FIG. 4 is a right side view thereof;
FIG. 5 is a front view thereof;
FIG. 6 is a back view thereof;
FIG. 7 is a top view thereof; and,
FIG. 8 is a bottom view thereof.

1 Claim, 8 Drawing Sheets



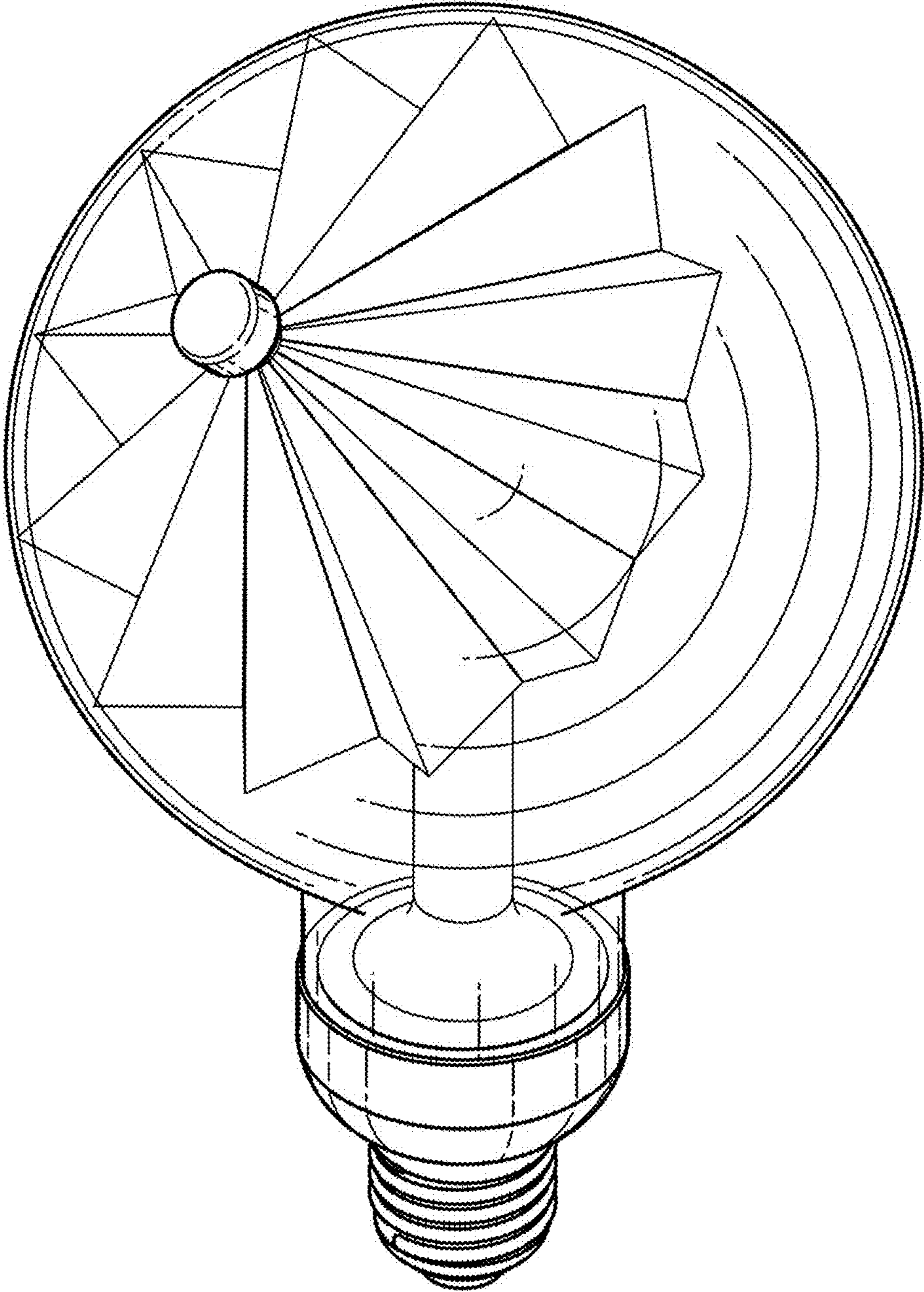


FIG. 1

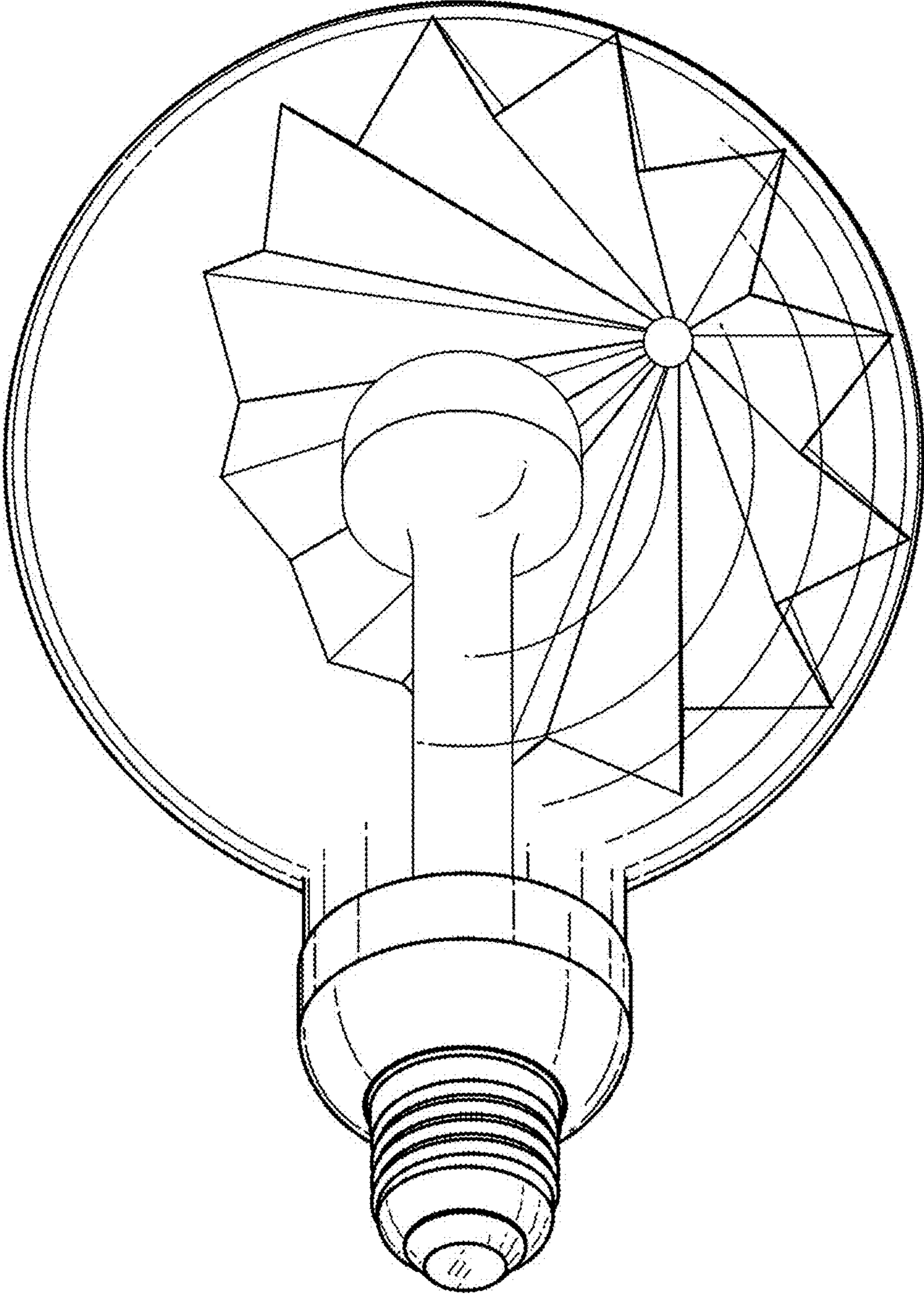


FIG. 2

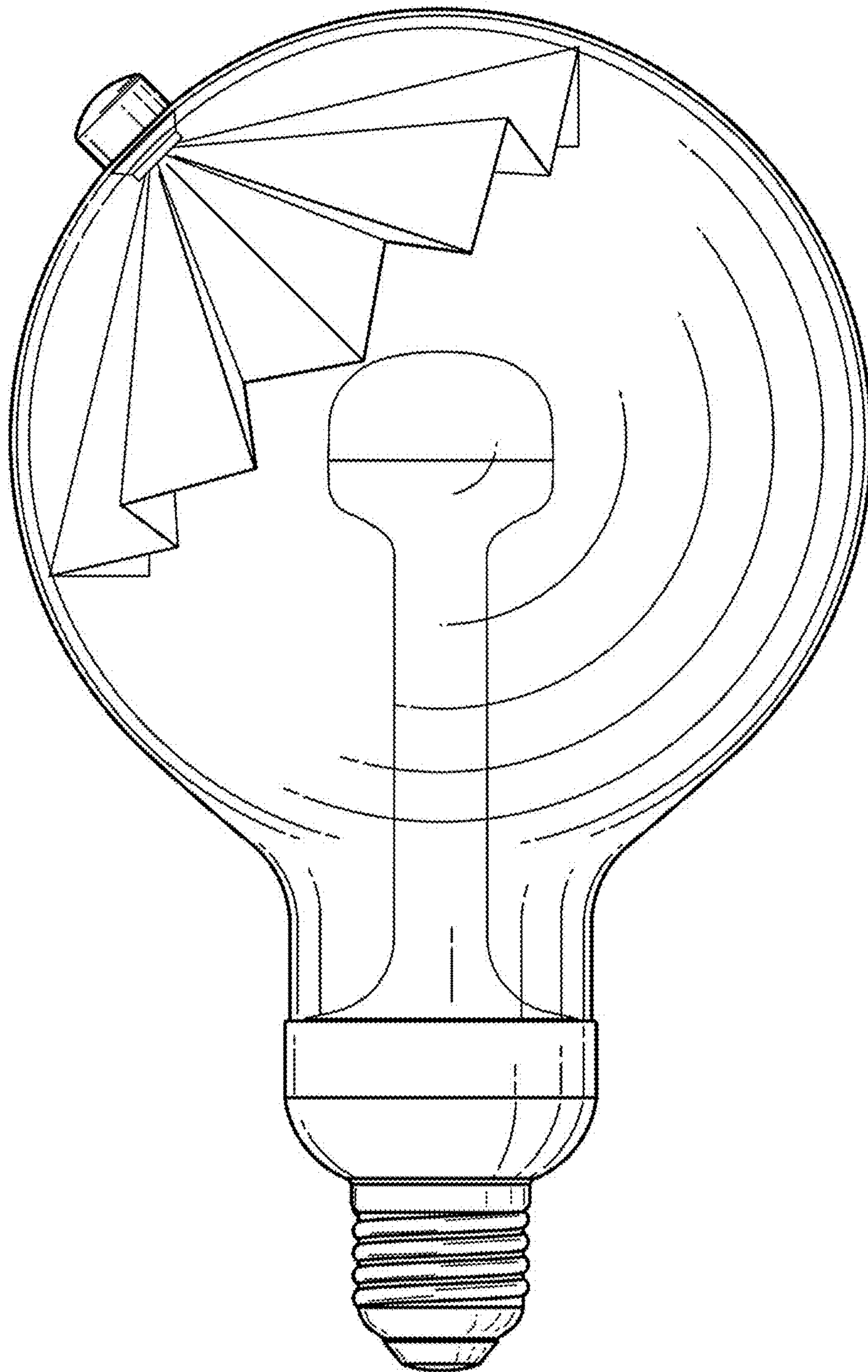


FIG. 3

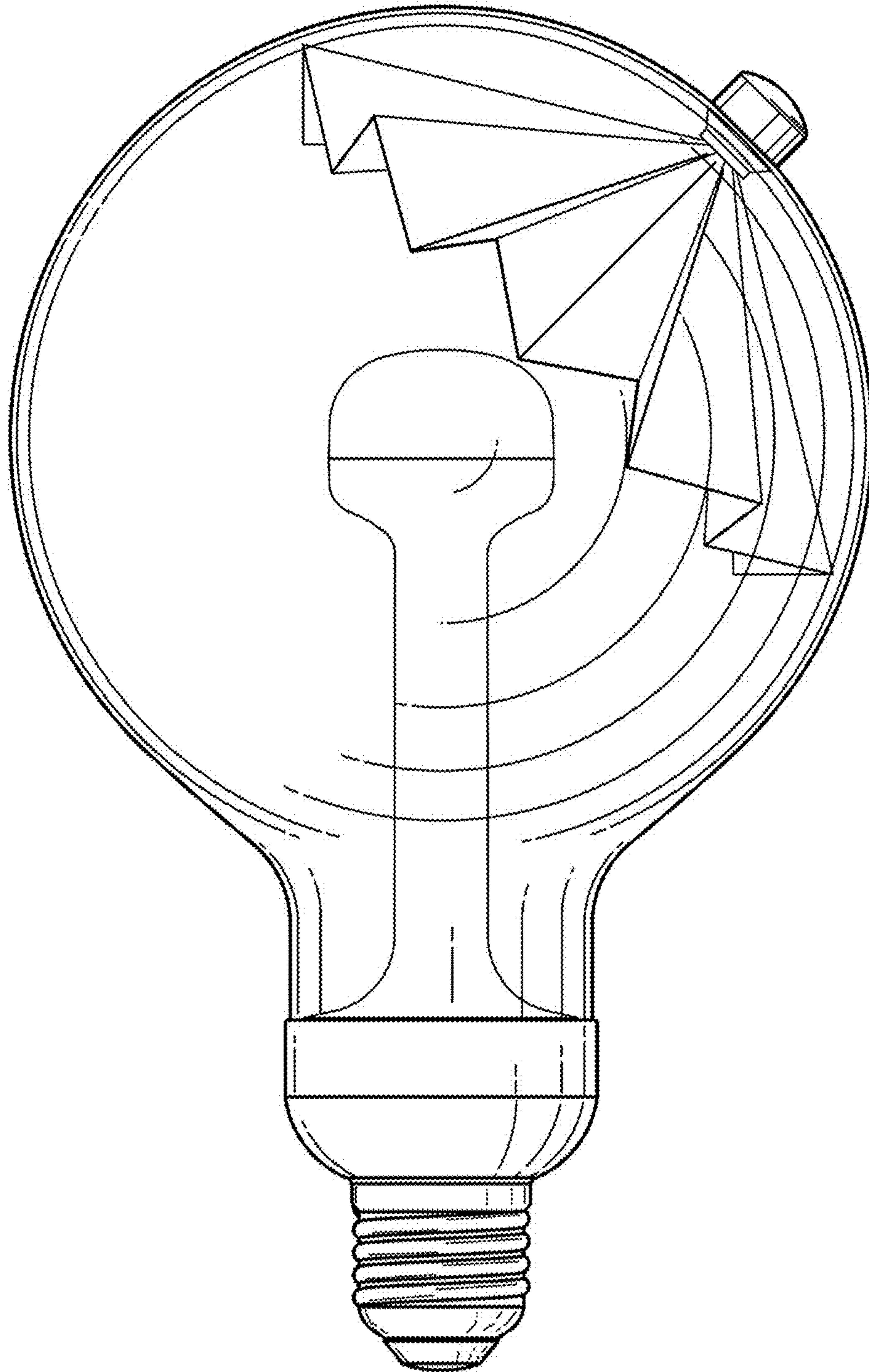


FIG. 4

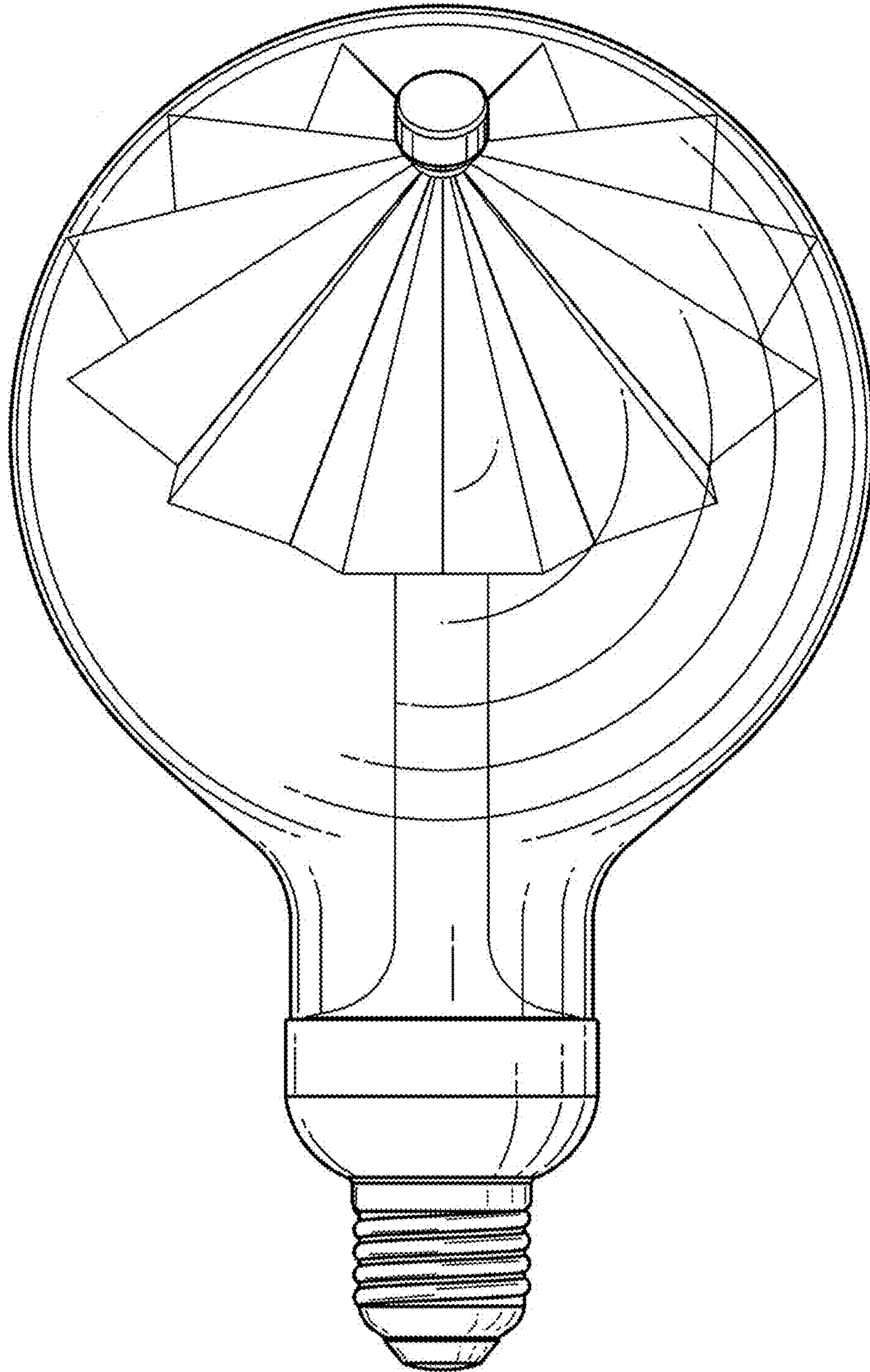


FIG. 5

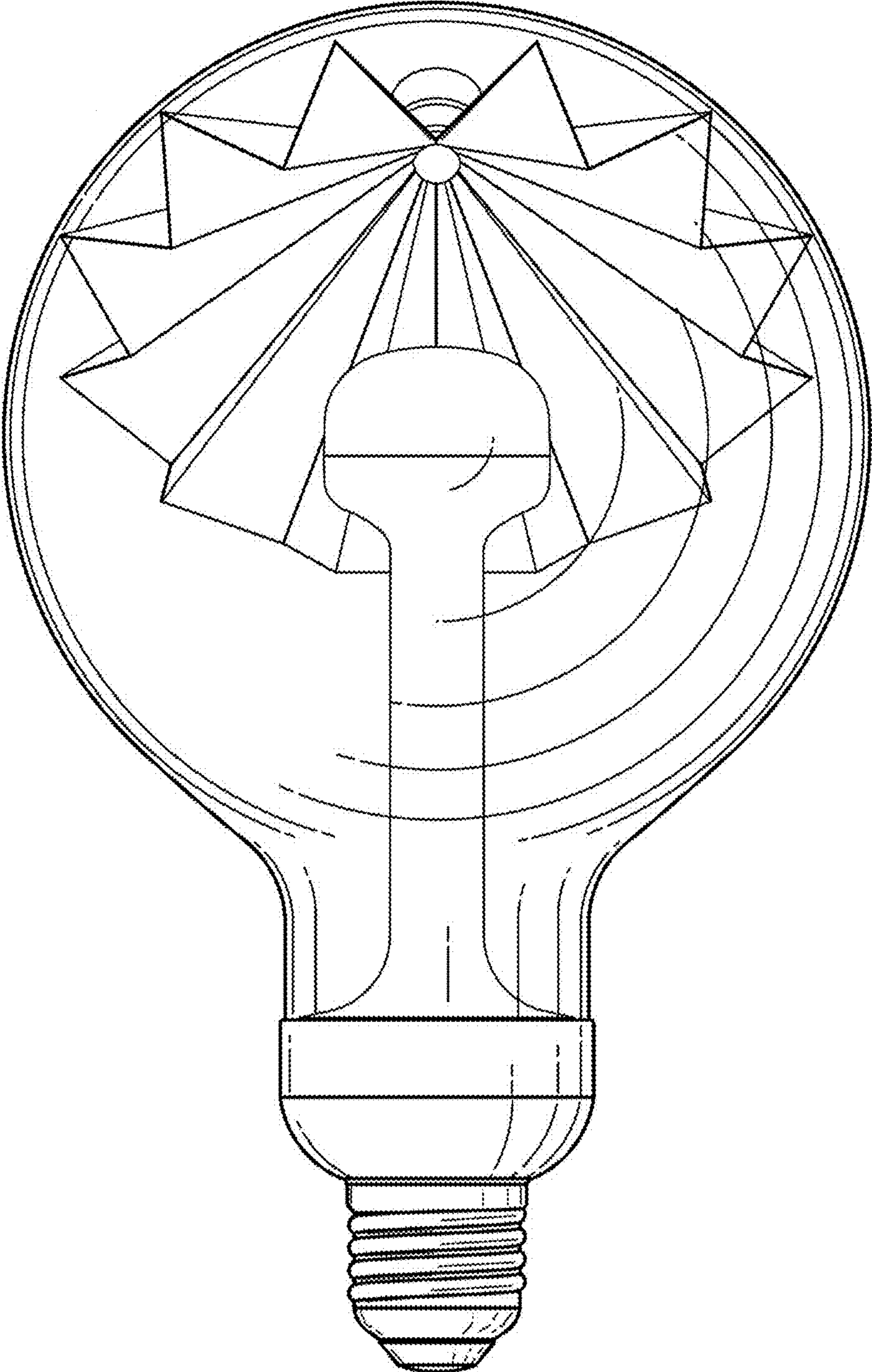


FIG. 6

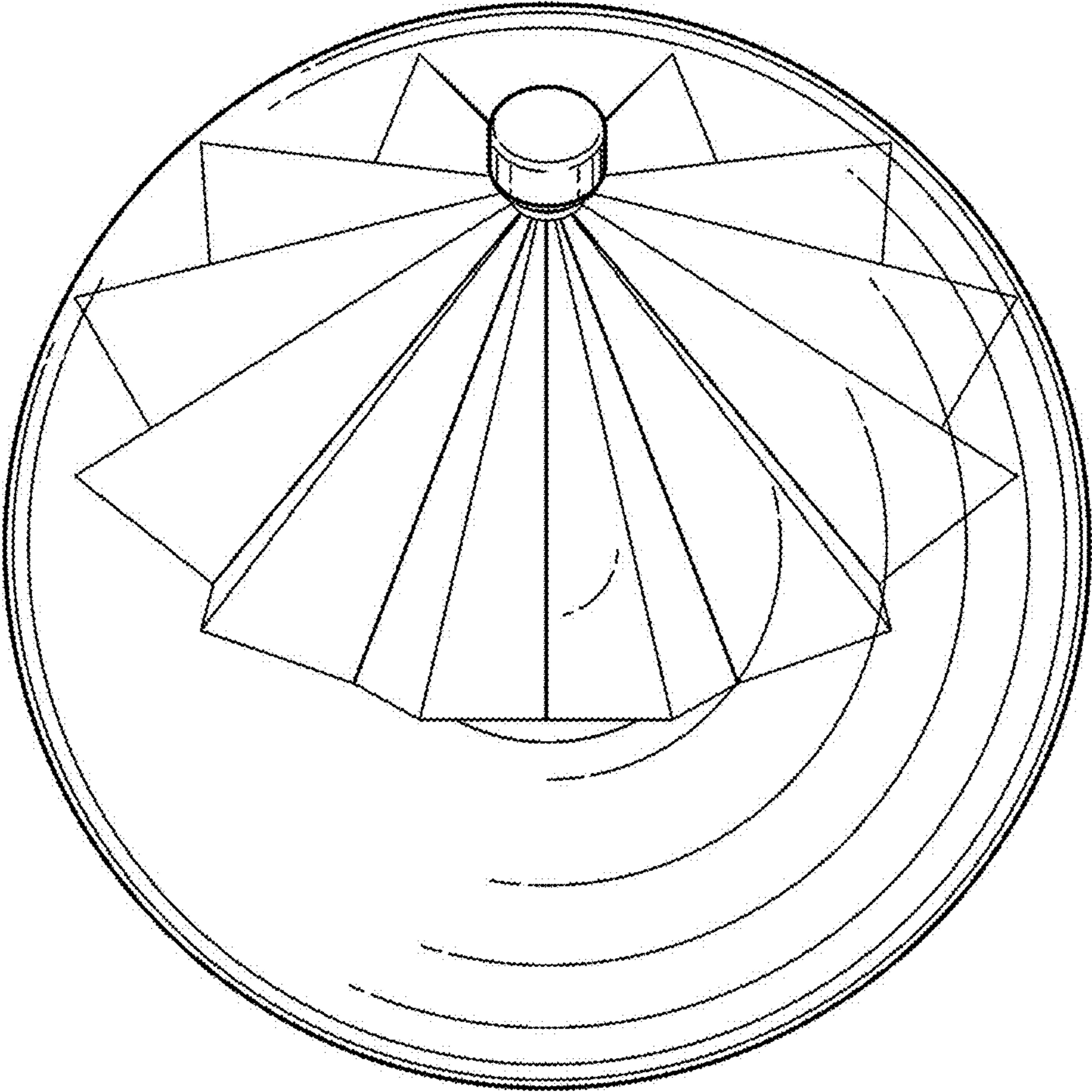


FIG. 7

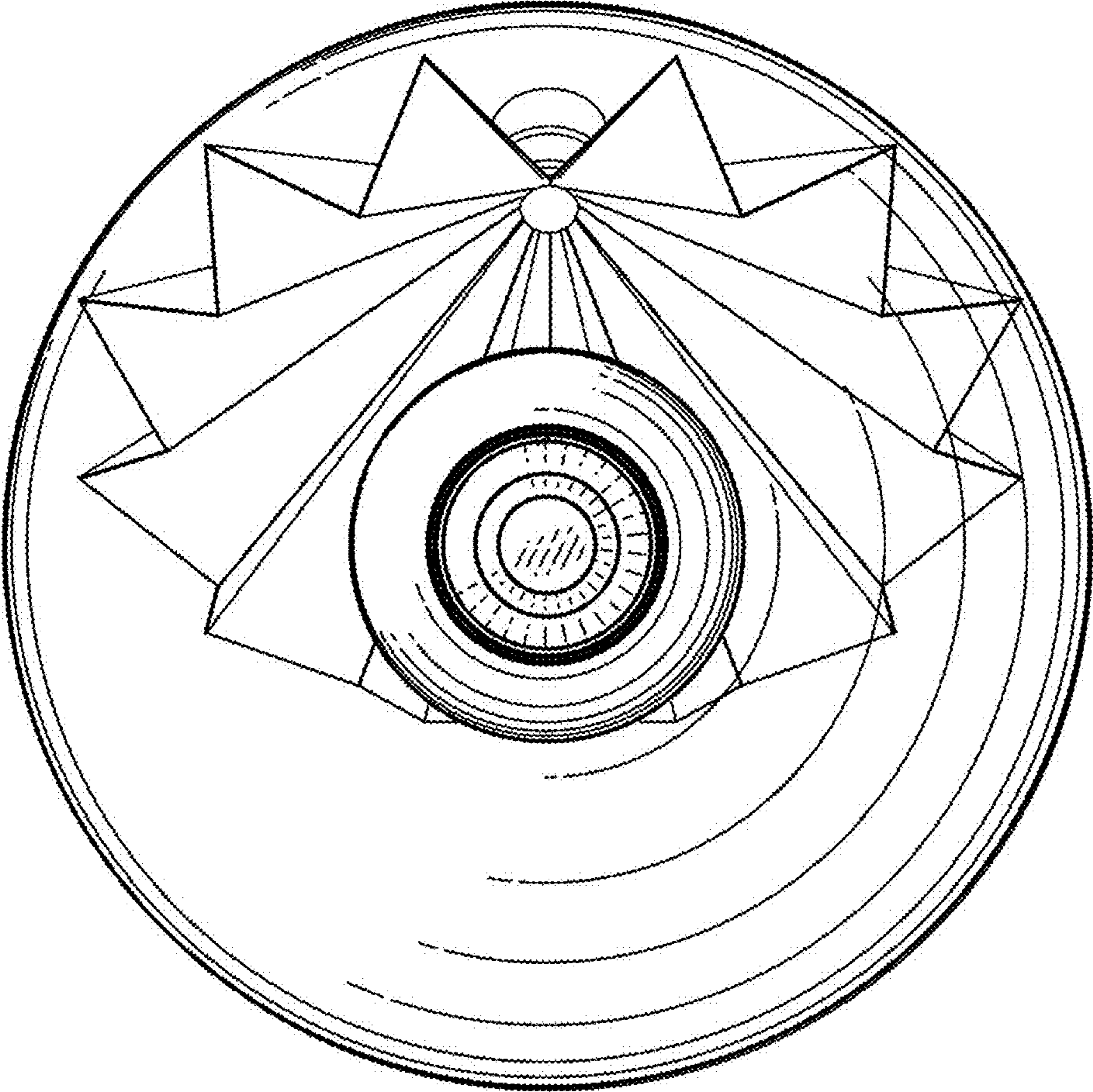


FIG. 8