



US00D879330S

(12) **United States Design Patent**
Chen

(10) **Patent No.:** **US D879,330 S**
(45) **Date of Patent:** **** Mar. 24, 2020**

(54) **PORTION OF A LIGHT BULB**

DESCRIPTION

(71) Applicant: **ZHEJIANG SUPER LIGHTING ELECTRIC APPLIANCE CO., LTD.**, Zhejiang (CN)

(72) Inventor: **Yi-Ching Chen**, Hsinchu County (TW)

(73) Assignee: **ZHEJIANG SUPER LIGHTING ELECTRIC APPLIANCE CO., LTD.**, Zhejiang (CN)

(**) Term: **15 Years**

(21) Appl. No.: **29/627,379**

(22) Filed: **Nov. 27, 2017**

(30) **Foreign Application Priority Data**

Oct. 16, 2017 (CN) 2017 3 0489929
Oct. 27, 2017 (CN) 2017 3 0517887

(Continued)

(51) **LOC (12) Cl.** **26-04**

(52) **U.S. Cl.**
USPC **D26/2**

(58) **Field of Classification Search**
USPC D26/1-4

(Continued)

(56) **References Cited**

U.S. PATENT DOCUMENTS

D422,099 S * 3/2000 Kracke D26/2
D548,369 S * 8/2007 Bembridge D26/2

(Continued)

Primary Examiner — Marcus A Jackson

(74) *Attorney, Agent, or Firm* — Andrew M. Calderon;
Roberts Calderon Safran & Cole, P.C.

(57) **CLAIM**

The ornamental design for a portion of a light bulb, as shown and described.

FIG. 1 is a front, right perspective view of a first embodiment of a portion of a light bulb showing our new design; FIG. 2 is a front elevation view of the first embodiment of the portion of a light bulb; FIG. 3 is a rear elevation view of the first embodiment of the portion of a light bulb; FIG. 4 is a left elevation view of the first embodiment of the portion of a light bulb; FIG. 5 is a right elevation view of the first embodiment of the portion of a light bulb; FIG. 6 is a top plan view of the first embodiment of the portion of a light bulb; FIG. 7 is a bottom plan view of the first embodiment of the portion of a light bulb; FIG. 8 is a front, right perspective view of a second embodiment of a portion of a light bulb showing our new design; FIG. 9 is a front elevation view of the second embodiment of the portion of a light bulb; FIG. 10 is a rear elevation view of the second embodiment of the portion of a light bulb; FIG. 11 is a left elevation view of the second embodiment of the portion of a light bulb; FIG. 12 is a right elevation view of the second embodiment of the portion of a light bulb; FIG. 13 is a top plan view of the second embodiment of the portion of a light bulb; FIG. 14 is a bottom plan view of the second embodiment of the portion of a light bulb; FIG. 15 is a front, right perspective view of a third embodiment of a portion of a light bulb showing our new design; FIG. 16 is a front elevation view of the third embodiment of the portion of a light bulb; FIG. 17 is a rear elevation view of the third embodiment of the portion of a light bulb; FIG. 18 is a left elevation view of the third embodiment of the portion of a light bulb; FIG. 19 is a right elevation view of the third embodiment of the portion of a light bulb; FIG. 20 is a top plan view of the third embodiment of the portion of a light bulb;

(Continued)

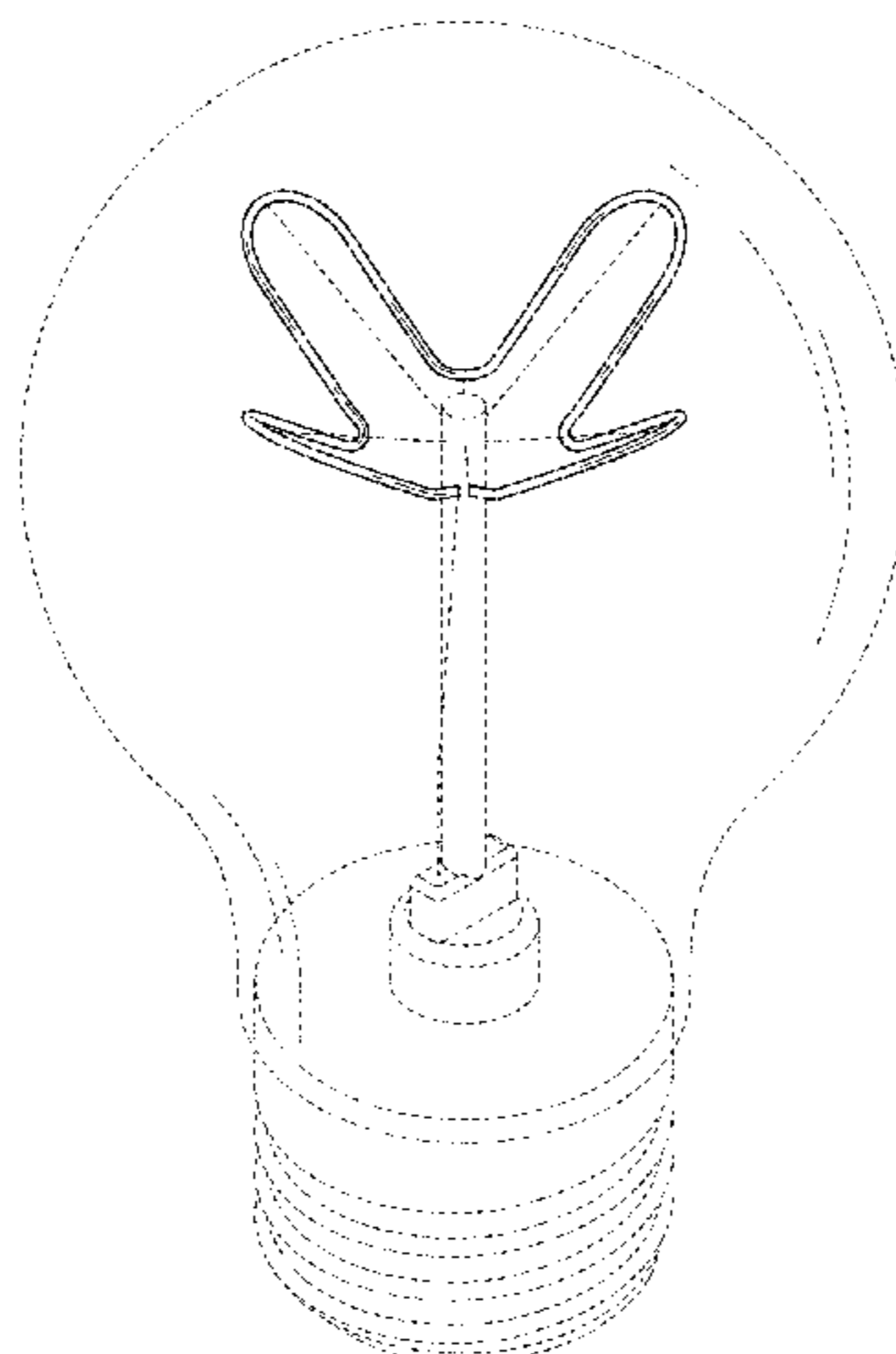


FIG. 21 is a bottom plan view of the third embodiment of the portion of a light bulb;
FIG. 22 is a front, right perspective view of a fourth embodiment of a portion of a light bulb showing our new design;
FIG. 23 is a front elevation view of the fourth embodiment of the portion of a light bulb;
FIG. 24 is a rear elevation view of the fourth embodiment of the portion of a light bulb;
FIG. 25 is a left elevation view of the fourth embodiment of the portion of a light bulb;
FIG. 26 is a right elevation view of the fourth embodiment of the portion of a light bulb;
FIG. 27 is a top plan view of the fourth embodiment of the portion of a light bulb;
FIG. 28 is a bottom plan view of the fourth embodiment of the portion of a light bulb;
FIG. 29 is a front, right perspective view of a fifth embodiment of a portion of a light bulb showing our new design;
FIG. 30 is a front elevation view of the fifth embodiment of the portion of a light bulb;
FIG. 31 is a rear elevation view of the fifth embodiment of the portion of a light bulb;
FIG. 32 is a left elevation view of the fifth embodiment of the portion of a light bulb;
FIG. 33 is a right elevation view of the fifth embodiment of the portion of a light bulb;
FIG. 34 is a top plan view of the fifth embodiment of the portion of a light bulb;
FIG. 35 is a bottom plan view of the fifth embodiment of the portion of a light bulb;
FIG. 36 is a front, right perspective view of a sixth embodiment of a portion of a light bulb showing our new design;
FIG. 37 is a front elevation view of the sixth embodiment of the portion of a light bulb;
FIG. 38 is a rear elevation view of the sixth embodiment of the portion of a light bulb;
FIG. 39 is a left elevation view of the sixth embodiment of the portion of a light bulb;
FIG. 40 is a right elevation view of the sixth embodiment of the portion of a light bulb;
FIG. 41 is a top plan view of the sixth embodiment of the portion of a light bulb;
FIG. 42 is a bottom plan view of the sixth embodiment of the portion of a light bulb;
FIG. 43 is a front, right perspective view of a seventh embodiment of a portion of a light bulb showing our new design;
FIG. 44 is a front elevation view of the seventh embodiment of the portion of a light bulb;
FIG. 45 is a rear elevation view of the seventh embodiment of the portion of a light bulb;
FIG. 46 is a left elevation view of the seventh embodiment of the portion of a light bulb;
FIG. 47 is a right elevation view of the seventh embodiment of the portion of a light bulb;
FIG. 48 is a top plan view of the seventh embodiment of the portion of a light bulb;
FIG. 49 is a bottom plan view of the seventh embodiment of the portion of a light bulb;
FIG. 50 is a front, right perspective view of an eighth embodiment of a portion of a light bulb showing our new design;
FIG. 51 is a front elevation view of the eighth embodiment of the portion of a light bulb;

FIG. 52 is a rear elevation view of the eighth embodiment of the portion of a light bulb;
FIG. 53 is a left elevation view of the eighth embodiment of the portion of a light bulb;
FIG. 54 is a right elevation view of the eighth embodiment of the portion of a light bulb;
FIG. 55 is a top plan view of the eighth embodiment of the portion of a light bulb;
FIG. 56 is a bottom plan view of the eighth embodiment of the portion of a light bulb;
FIG. 57 is a front, right perspective view of a ninth embodiment of a portion of a light bulb showing our new design;
FIG. 58 is a front elevation view of the ninth embodiment of the portion of a light bulb;
FIG. 59 is a rear elevation view of the ninth embodiment of the portion of a light bulb;
FIG. 60 is a left elevation view of the ninth embodiment of the portion of a light bulb;
FIG. 61 is a right elevation view of the ninth embodiment of the portion of a light bulb;
FIG. 62 is a top plan view of the ninth embodiment of the portion of a light bulb;
FIG. 63 is a bottom plan view of the ninth embodiment of the portion of a light bulb;
FIG. 64 is a front, right perspective view of a tenth embodiment of a portion of a light bulb showing our new design;
FIG. 65 is a front elevation view of the tenth embodiment of the portion of a light bulb;
FIG. 66 is a rear elevation view of the tenth embodiment of the portion of a light bulb;
FIG. 67 is a left elevation view of the tenth embodiment of the portion of a light bulb;
FIG. 68 is a right elevation view of the tenth embodiment of the portion of a light bulb;
FIG. 69 is a top plan view of the tenth embodiment of the portion of a light bulb;
FIG. 70 is a bottom plan view of the tenth embodiment of the portion of a light bulb;
FIG. 71 is a front, right perspective view of an eleventh embodiment of a portion of a light bulb showing our new design;
FIG. 72 is a front elevation view of the eleventh embodiment of the portion of a light bulb;
FIG. 73 is a rear elevation view of the eleventh embodiment of the portion of a light bulb;
FIG. 74 is a left elevation view of the eleventh embodiment of the portion of a light bulb;
FIG. 75 is a right elevation view of the eleventh embodiment of the portion of a light bulb;
FIG. 76 is a top plan view of the eleventh embodiment of the portion of a light bulb;
FIG. 77 is a bottom plan view of the eleventh embodiment of the portion of a light bulb;
FIG. 78 is a front, right perspective view of a twelfth embodiment of a portion of a light bulb showing our new design;
FIG. 79 is a front elevation view of the twelfth embodiment of the portion of a light bulb;
FIG. 80 is a rear elevation view of the twelfth embodiment of the portion of a light bulb;
FIG. 81 is a left elevation view of the twelfth embodiment of the portion of a light bulb;
FIG. 82 is a right elevation view of the twelfth embodiment of the portion of a light bulb;

FIG. 83 is a top plan view of the twelfth embodiment of the portion of a light bulb;
 FIG. 84 is a bottom plan view of the twelfth embodiment of the portion of a light bulb;
 FIG. 85 is a front, right perspective view of a thirteenth embodiment of a portion of a light bulb showing our new design;
 FIG. 86 is a front elevation view of the thirteenth embodiment of the portion of a light bulb;
 FIG. 87 is a rear elevation view of the thirteenth embodiment of the portion of a light bulb;
 FIG. 88 is a left elevation view of the thirteenth embodiment of the portion of a light bulb;
 FIG. 89 is a right elevation view of the thirteenth embodiment of the portion of a light bulb;
 FIG. 90 is a top plan view of the thirteenth embodiment of the portion of a light bulb;
 FIG. 91 is a bottom plan view of the thirteenth embodiment of the portion of a light bulb;
 FIG. 92 is a front, right perspective view of a fourteenth embodiment of a portion of a light bulb showing our new design;
 FIG. 93 is a front elevation view of the fourteenth embodiment of the portion of a light bulb;
 FIG. 94 is a rear elevation view of the fourteenth embodiment of the portion of a light bulb;
 FIG. 95 is a left elevation view of the fourteenth embodiment of the portion of a light bulb;
 FIG. 96 is a right elevation view of the fourteenth embodiment of the portion of a light bulb;
 FIG. 97 is a top plan view of the fourteenth embodiment of the portion of a light bulb;
 FIG. 98 is a bottom plan view of the fourteenth embodiment of the portion of a light bulb;
 FIG. 99 is a front, right perspective view of a fifteenth embodiment of a portion of a light bulb showing our new design;
 FIG. 100 is a front elevation view of the fifteenth embodiment of the portion of a light bulb;
 FIG. 101 is a rear elevation view of the fifteenth embodiment of the portion of a light bulb;
 FIG. 102 is a left elevation view of the fifteenth embodiment of the portion of a light bulb;
 FIG. 103 is a right elevation view of the fifteenth embodiment of the portion of a light bulb;
 FIG. 104 is a top plan view of the fifteenth embodiment of the portion of a light bulb;
 FIG. 105 is a bottom plan view of the fifteenth embodiment of the portion of a light bulb;
 FIG. 106 is a front, right perspective view of a sixth embodiment of a portion of a light bulb showing our new design;
 FIG. 107 is a front elevation view of the sixteenth embodiment of the portion of a light bulb;
 FIG. 108 is a rear elevation view of the sixteenth embodiment of the portion of a light bulb;
 FIG. 109 is a left elevation view of the sixteenth embodiment of the portion of a light bulb;
 FIG. 110 is a right elevation view of the sixteenth embodiment of the portion of a light bulb;
 FIG. 111 is a top plan view of the sixteenth embodiment of the portion of a light bulb;

FIG. 112 is a bottom plan view of the sixteenth embodiment of the portion of a light bulb;
 FIG. 113 is a front, right perspective view of a seventeenth embodiment of a portion of a light bulb showing our new design;
 FIG. 114 is a front elevation view of the seventeenth embodiment of the portion of a light bulb;
 FIG. 115 is a rear elevation view of the seventeenth embodiment of the portion of a light bulb;
 FIG. 116 is a left elevation view of the seventeenth embodiment of the portion of a light bulb;
 FIG. 117 is a right elevation view of the seventeenth embodiment of the portion of a light bulb;
 FIG. 118 is a top plan view of the seventeenth embodiment of the portion of a light bulb;
 FIG. 119 is a bottom plan view of the seventeenth embodiment of the portion of a light bulb;
 FIG. 120 is a front, right perspective view of an eighteenth embodiment of a portion of a light bulb showing our new design;
 FIG. 121 is a front elevation view of the eighteenth embodiment of the portion of a light bulb;
 FIG. 122 is a rear elevation view of the eighteenth embodiment of the portion of a light bulb;
 FIG. 123 is a left elevation view of the eighteenth embodiment of the portion of a light bulb;
 FIG. 124 is a right elevation view of the eighteenth embodiment of the portion of a light bulb;
 FIG. 125 is a top plan view of the eighteenth embodiment of the portion of a light bulb; and,
 FIG. 126 is a bottom plan view of the eighteenth embodiment of the portion of a light bulb.
 The broken lines in the drawings are for illustrative purposes and represent environmental structure and unclaimed portions of the portion of a light bulb and therefore form no part of the claimed design.

1 Claim, 108 Drawing Sheets

(30) **Foreign Application Priority Data**

Oct. 30, 2017 (CN) 2017 3 0520672
 Nov. 3, 2017 (CN) 2017 3 0537542
 Nov. 3, 2017 (CN) 2017 3 0537544

(58) **Field of Classification Search**

CPC H01R 5/00; H01R 13/46; H01R 13/514;
 H01R 31/048; H01R 31/02; H01J 5/00;
 H01J 5/16; H01J 1/02; H01J 15/00; H01J
 5/48; H01J 5/50; H01J 19/54; F21V 5/00;
 F21V 29/004; F21K 9/00; F21K 13/00
 See application file for complete search history.

(56) **References Cited**

U.S. PATENT DOCUMENTS

D549,360 S * 8/2007 An D26/2
 D550,864 S * 9/2007 Hernandez, Jr. D26/2
 D629,929 S * 12/2010 Chen D26/2

* cited by examiner

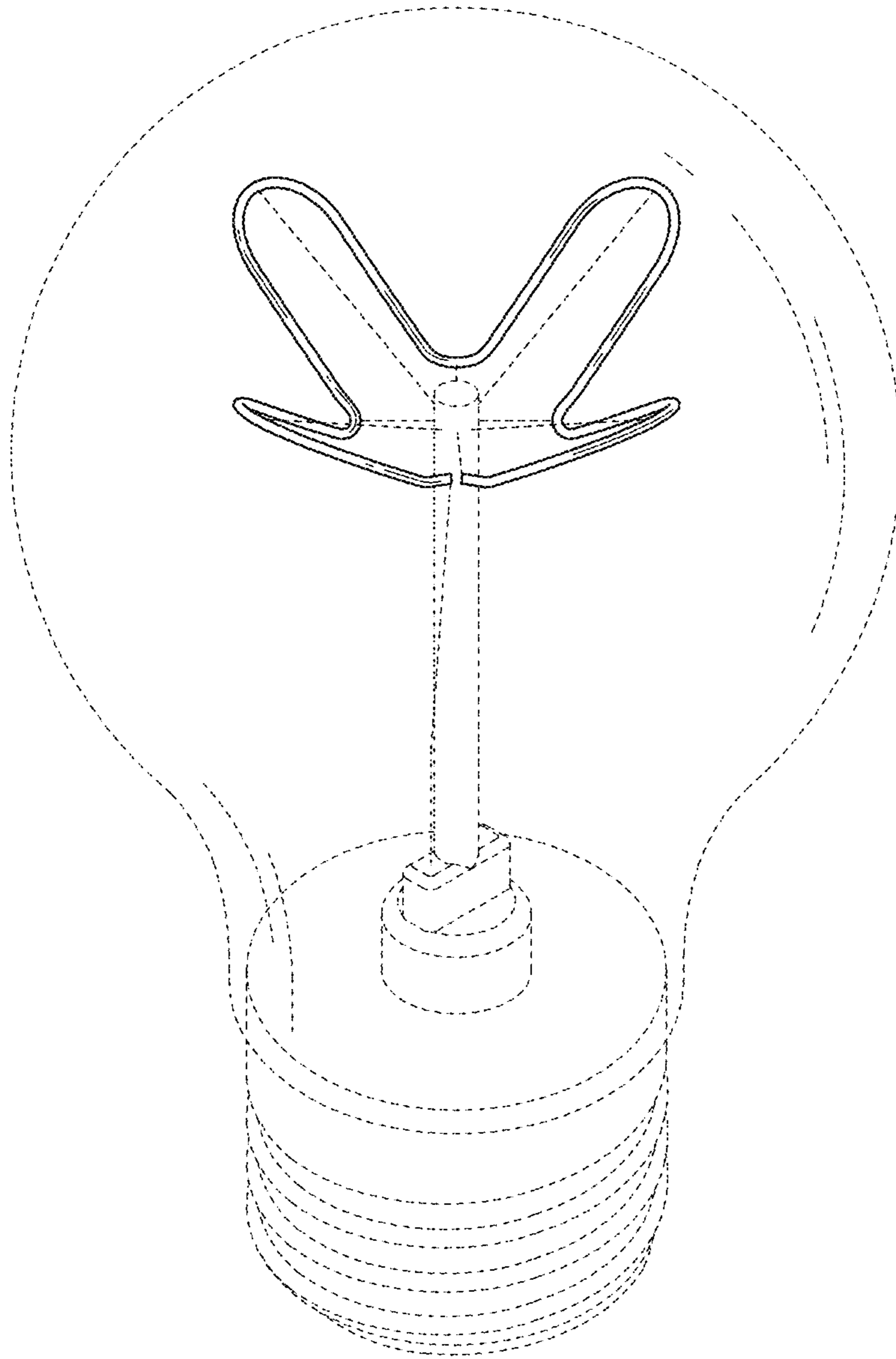


FIG. 1

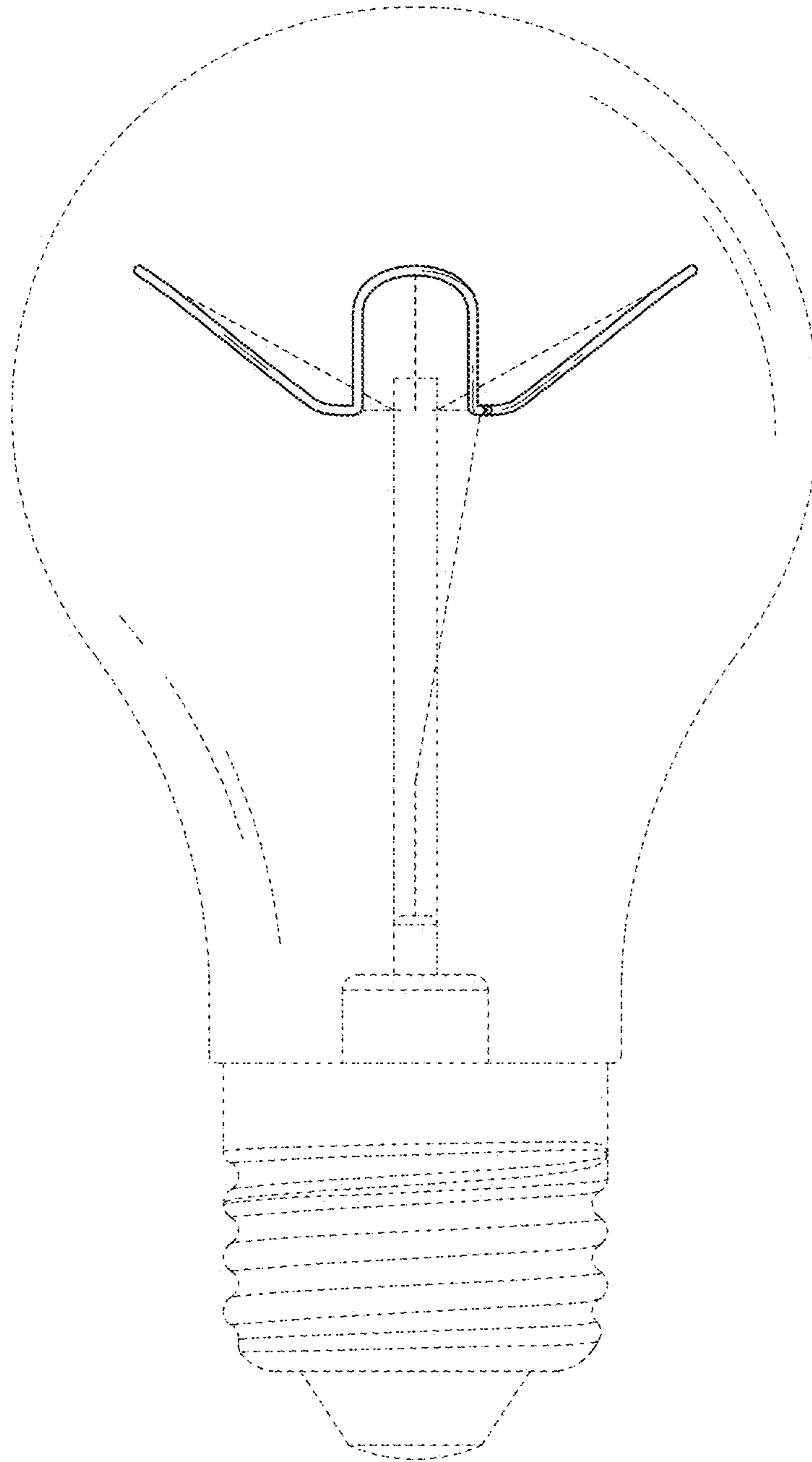


FIG.2

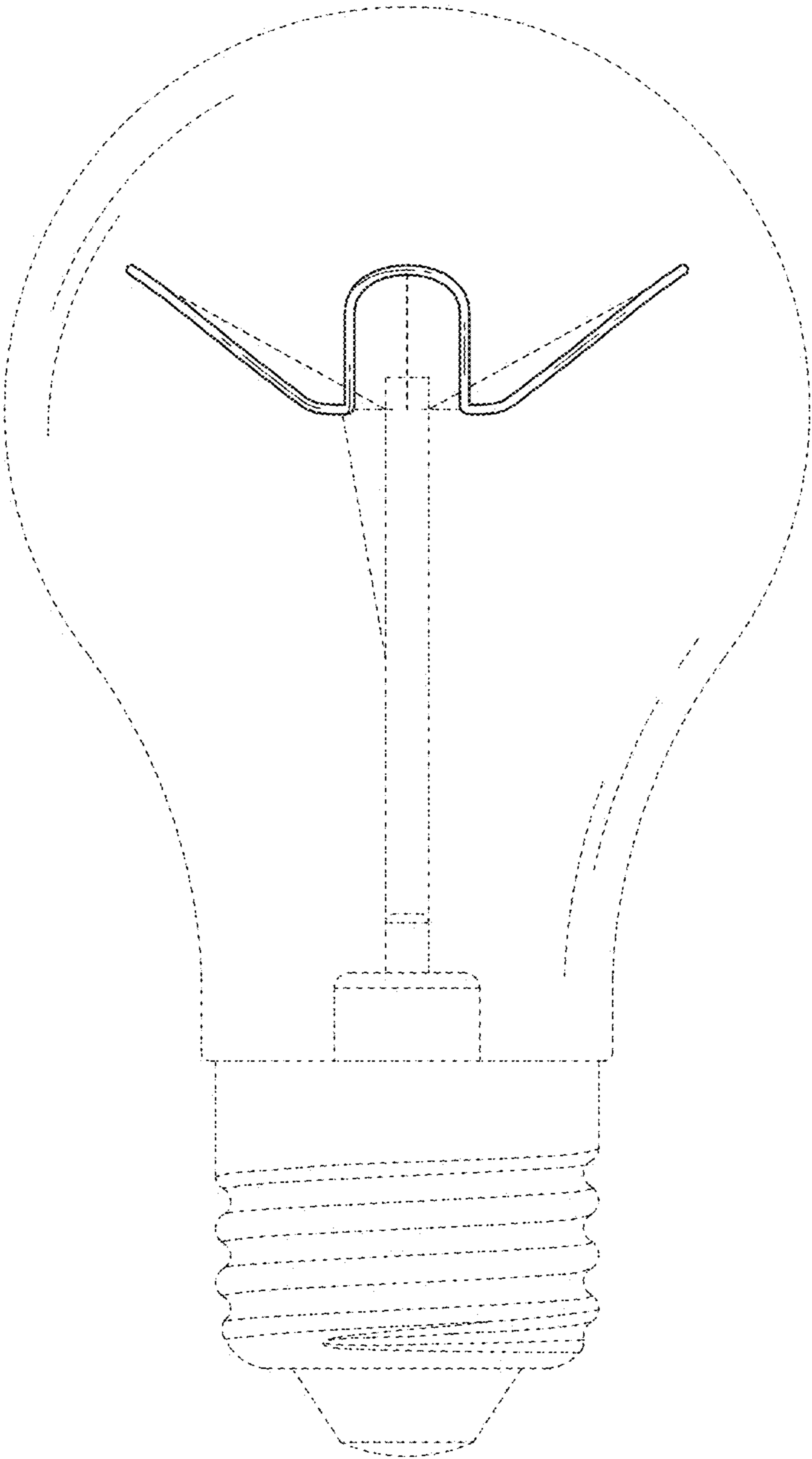


FIG.3

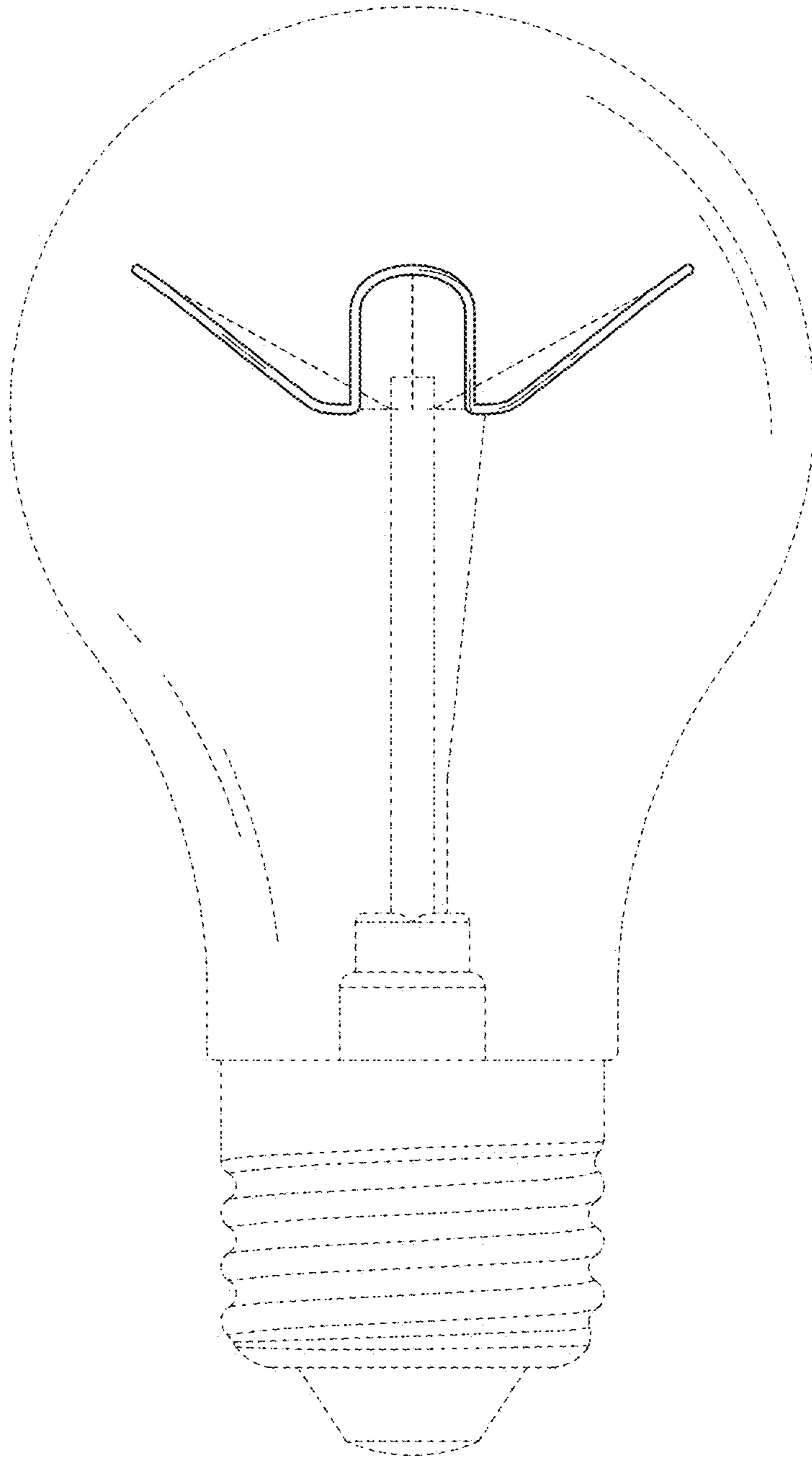


FIG. 4

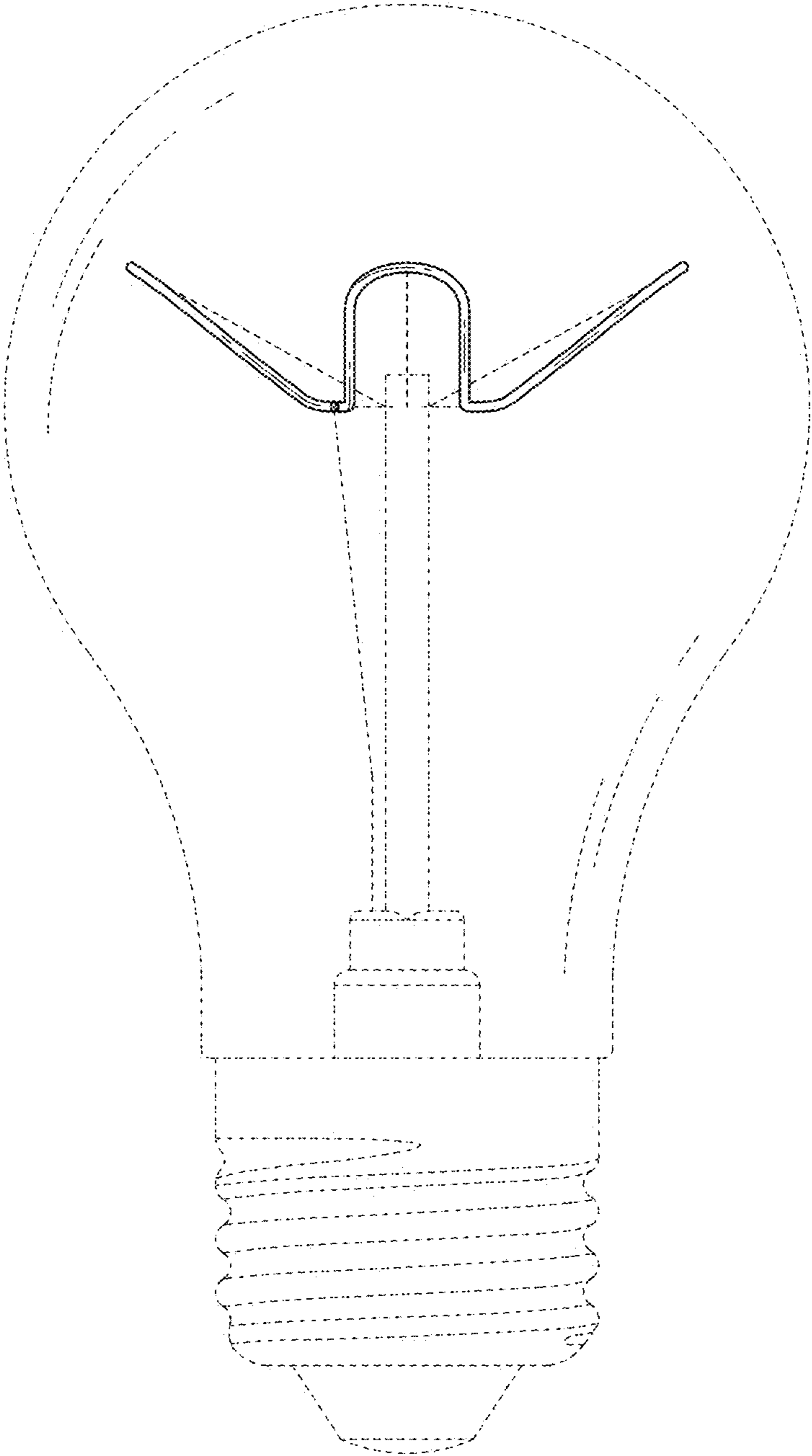


FIG.5

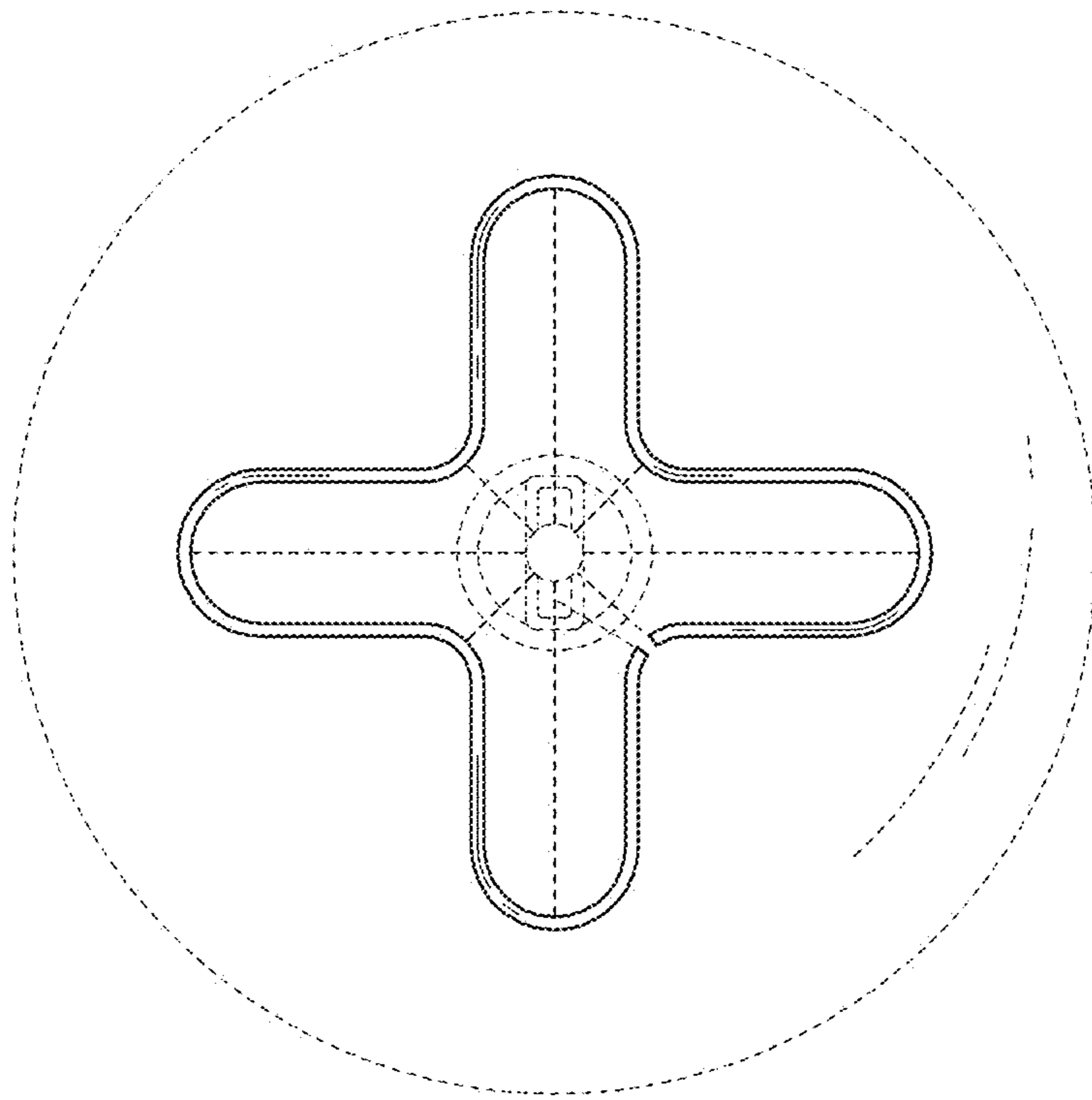


FIG. 6

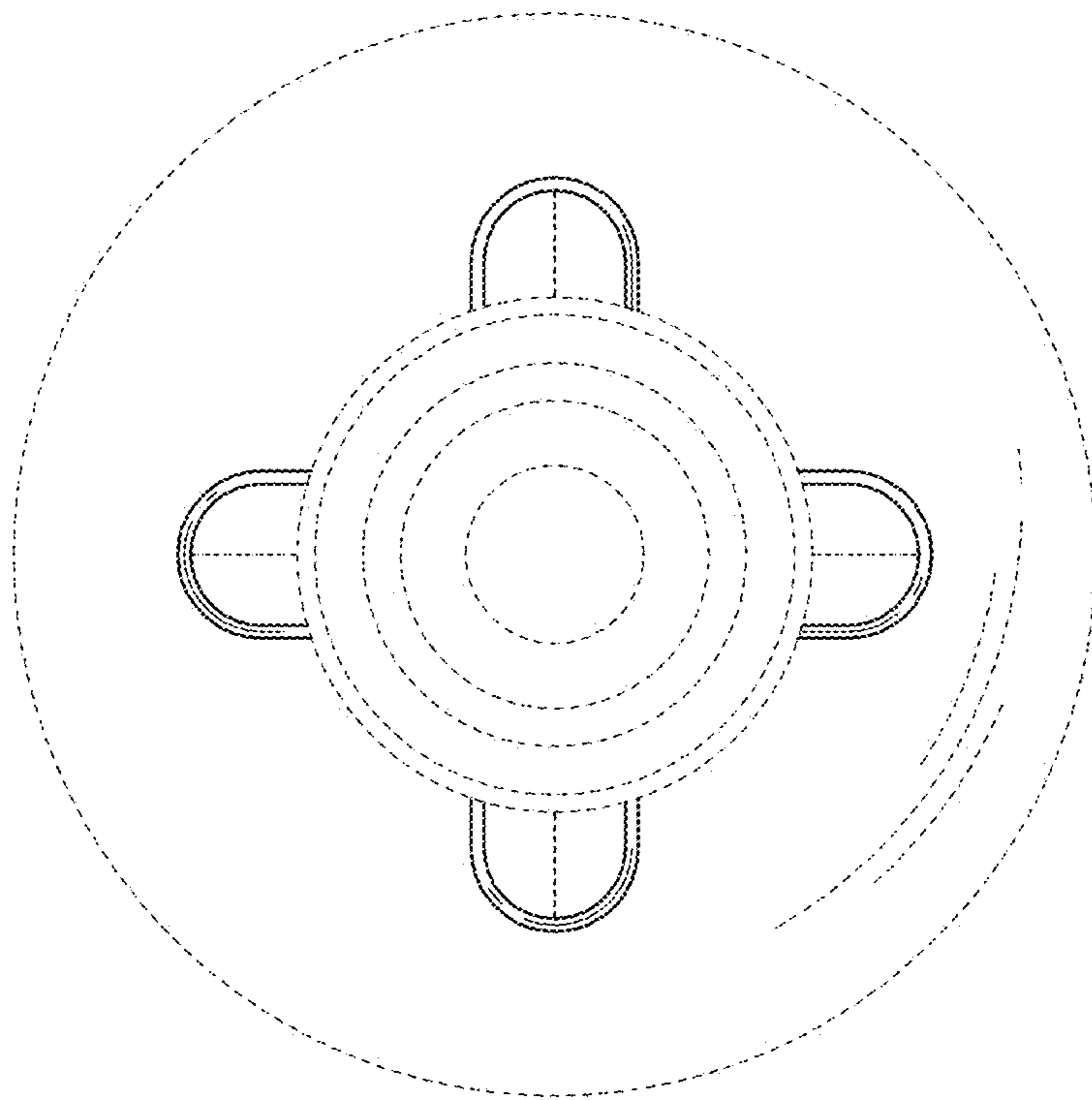


FIG. 7

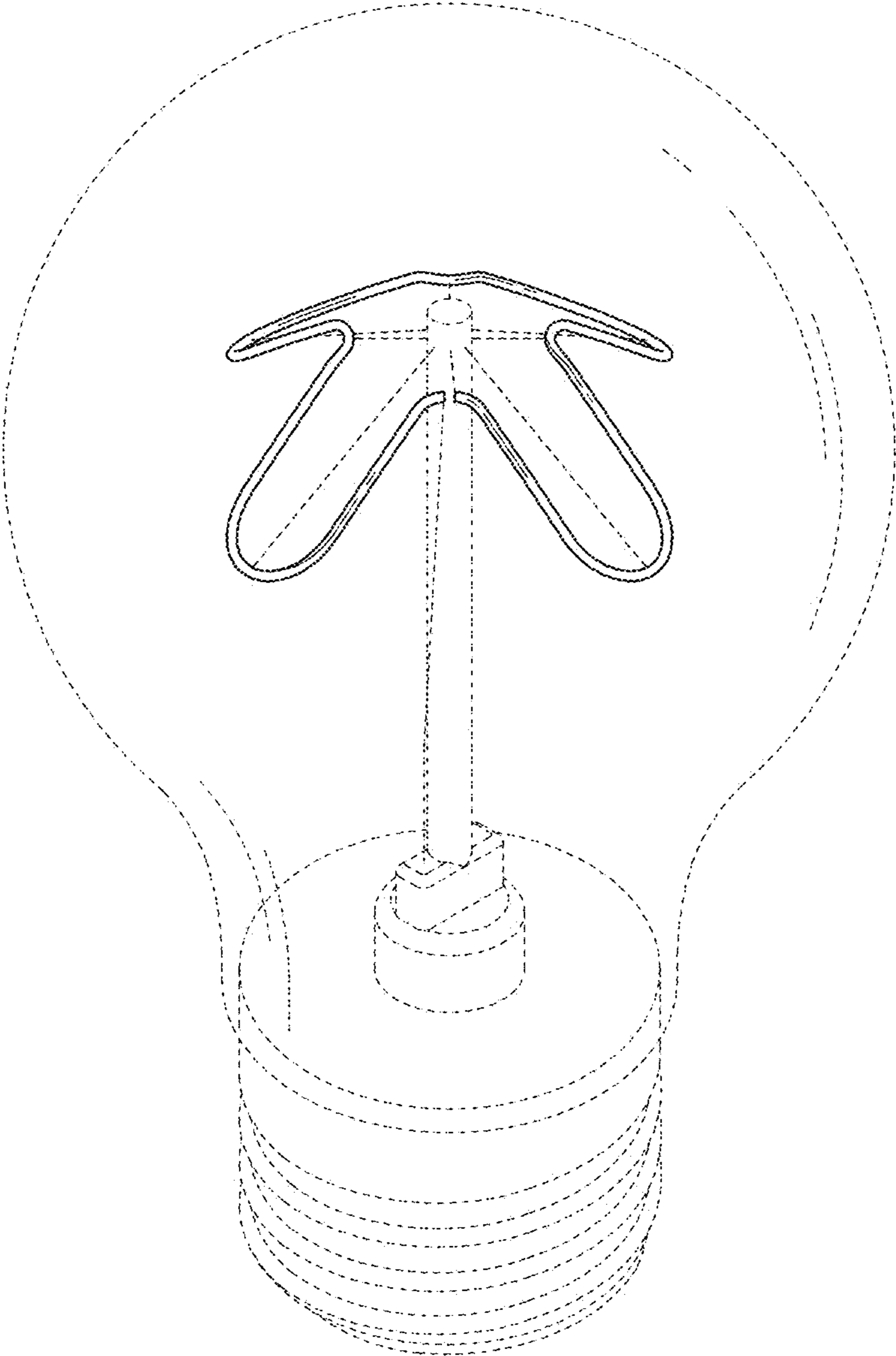


FIG.8

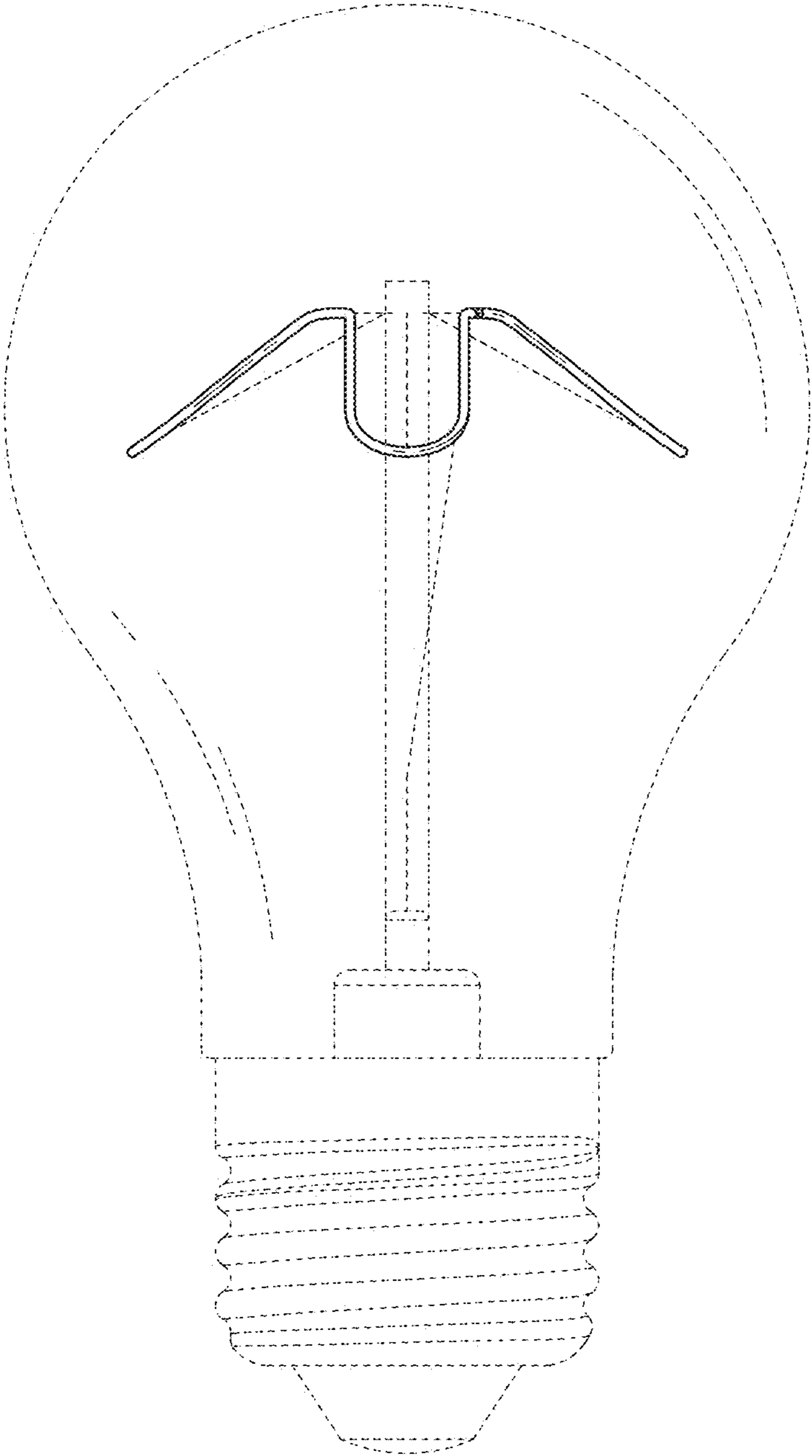


FIG. 9

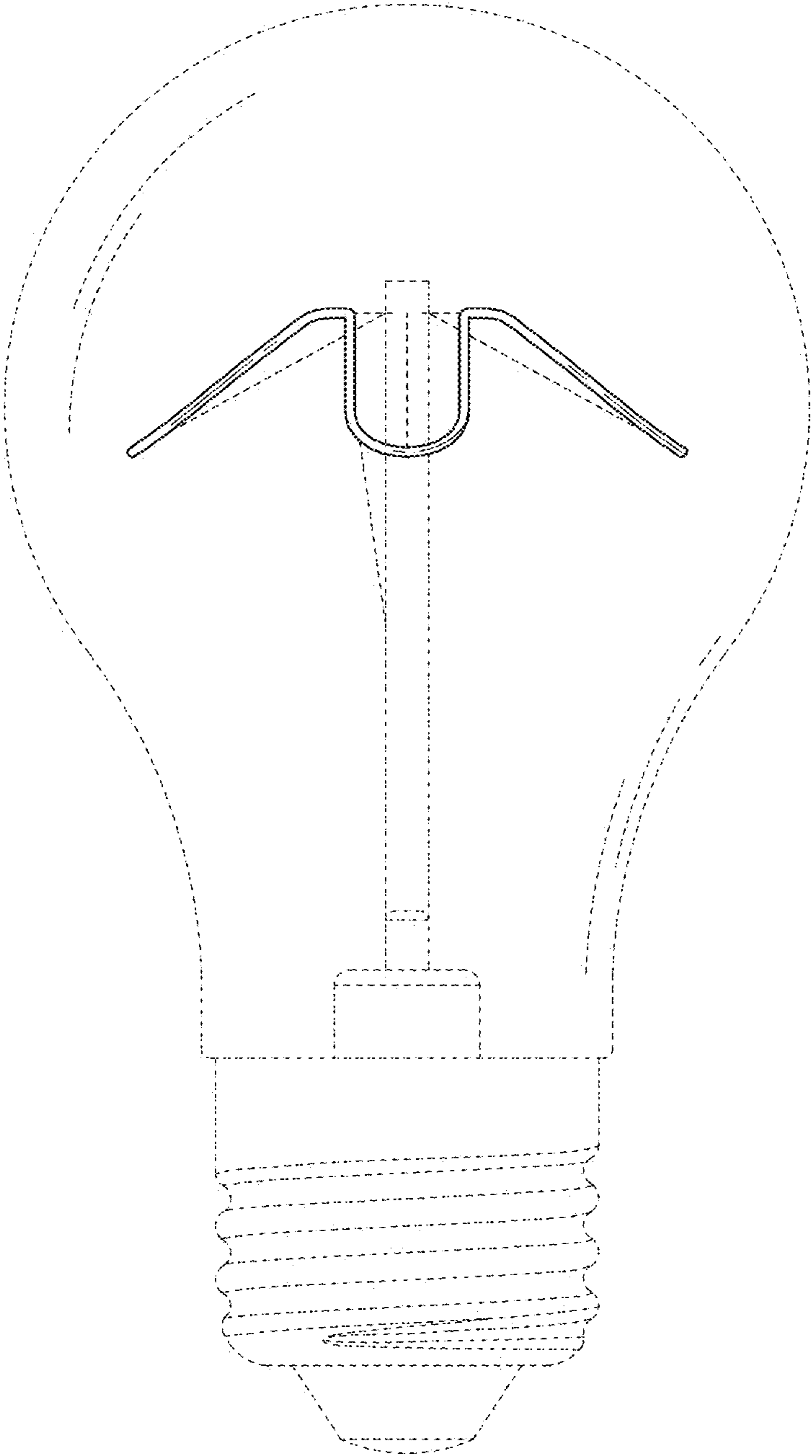


FIG. 10

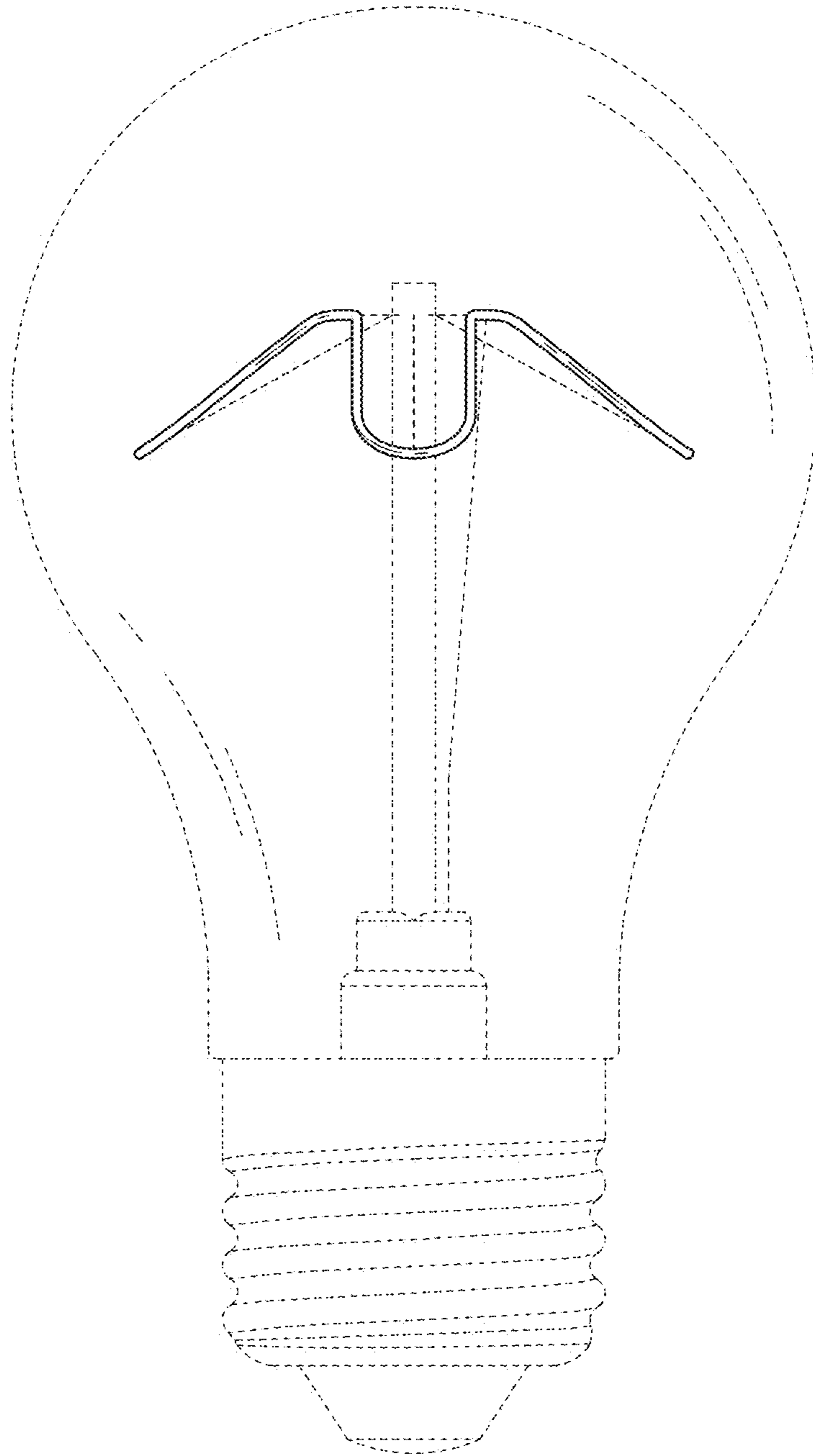


FIG. 11

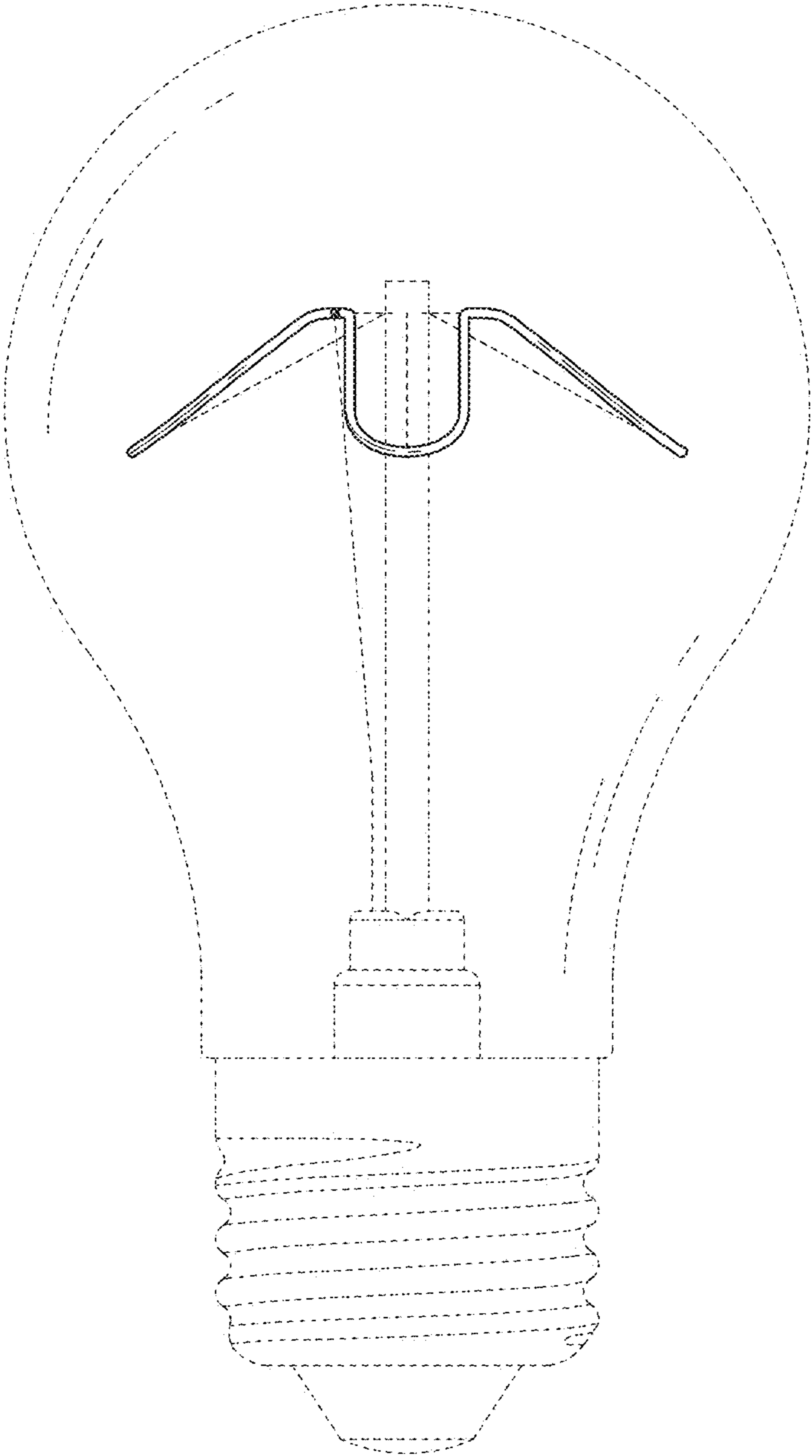


FIG. 12

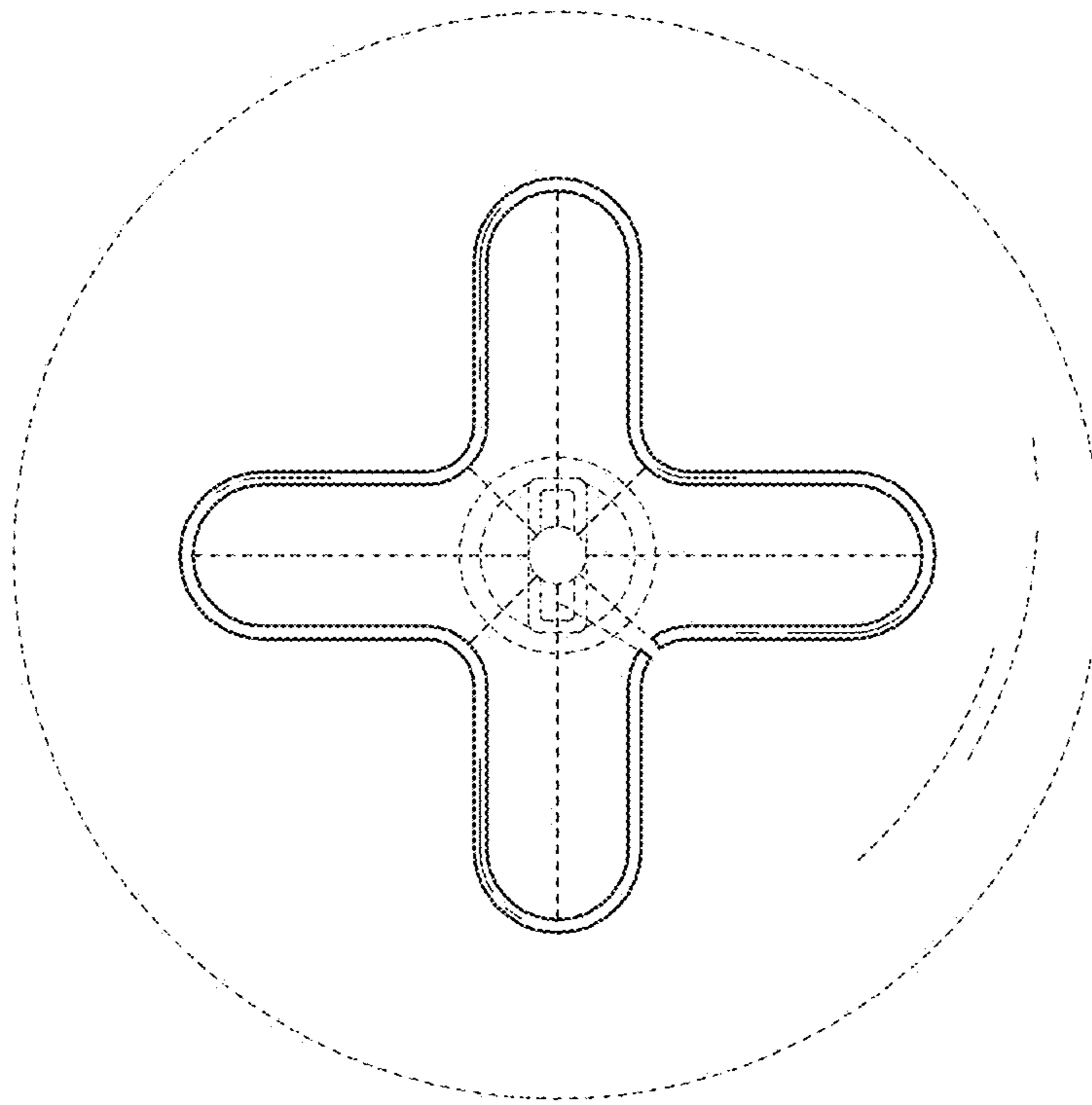


FIG. 13

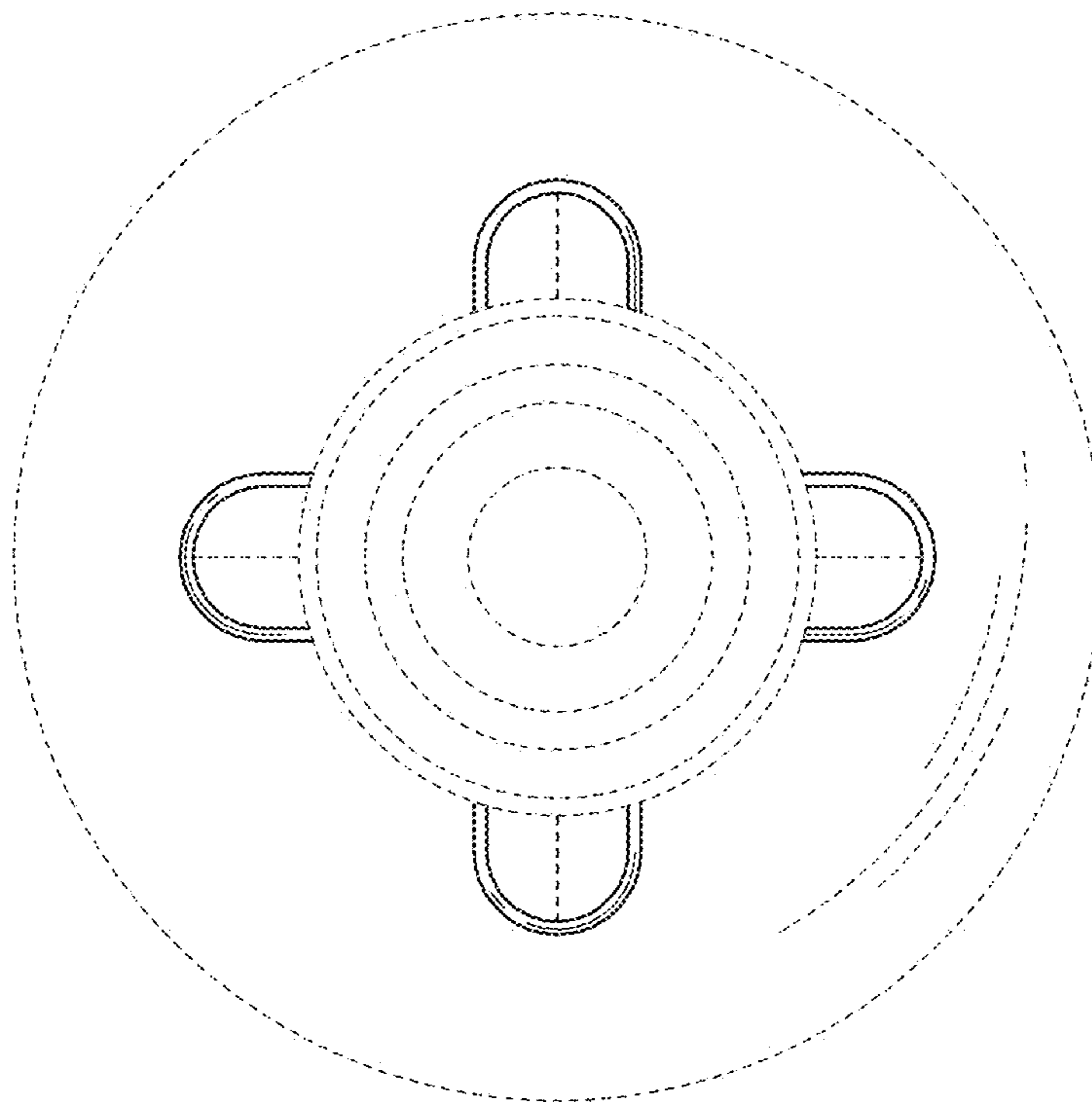


FIG. 14

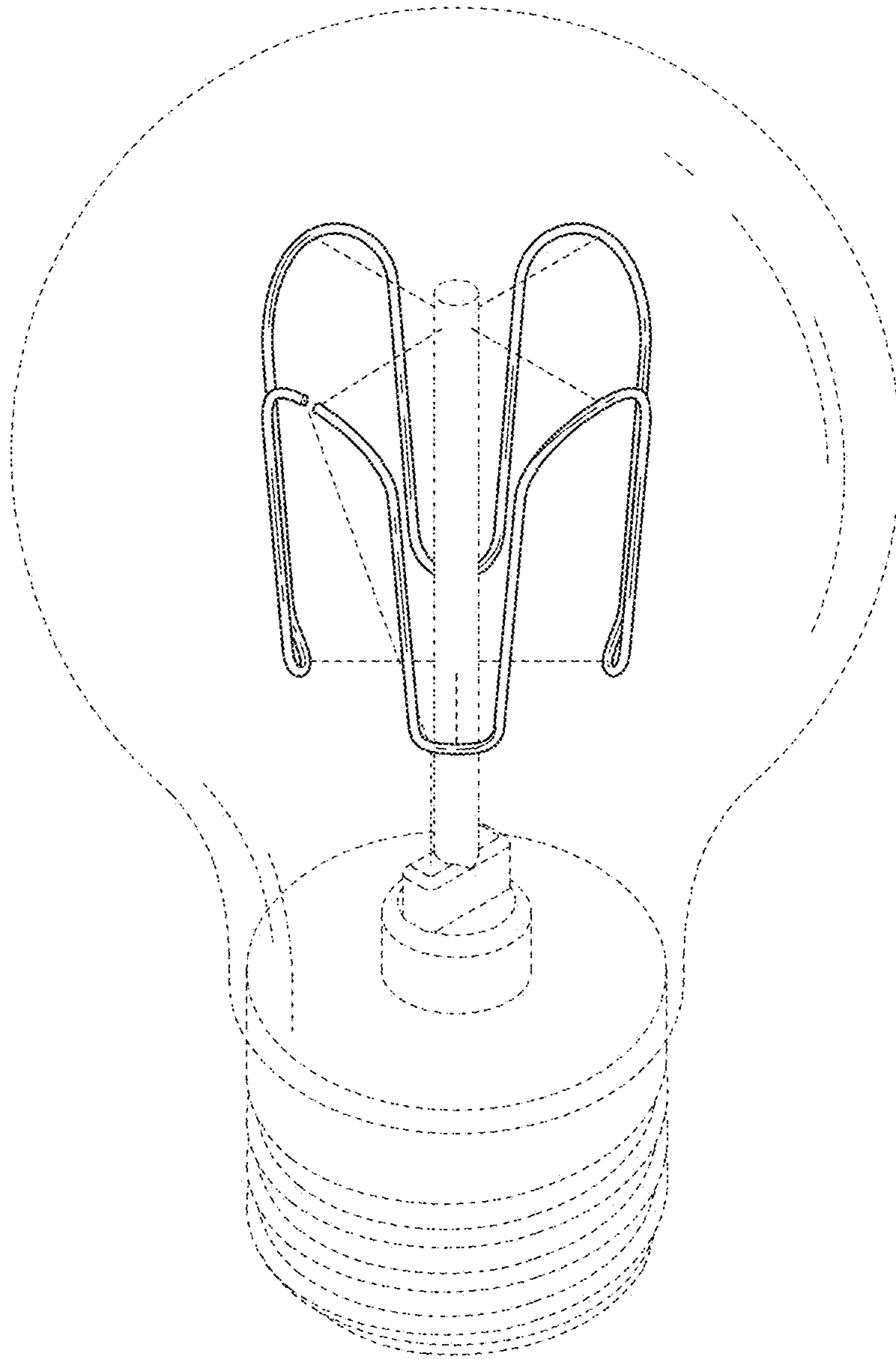


FIG. 15

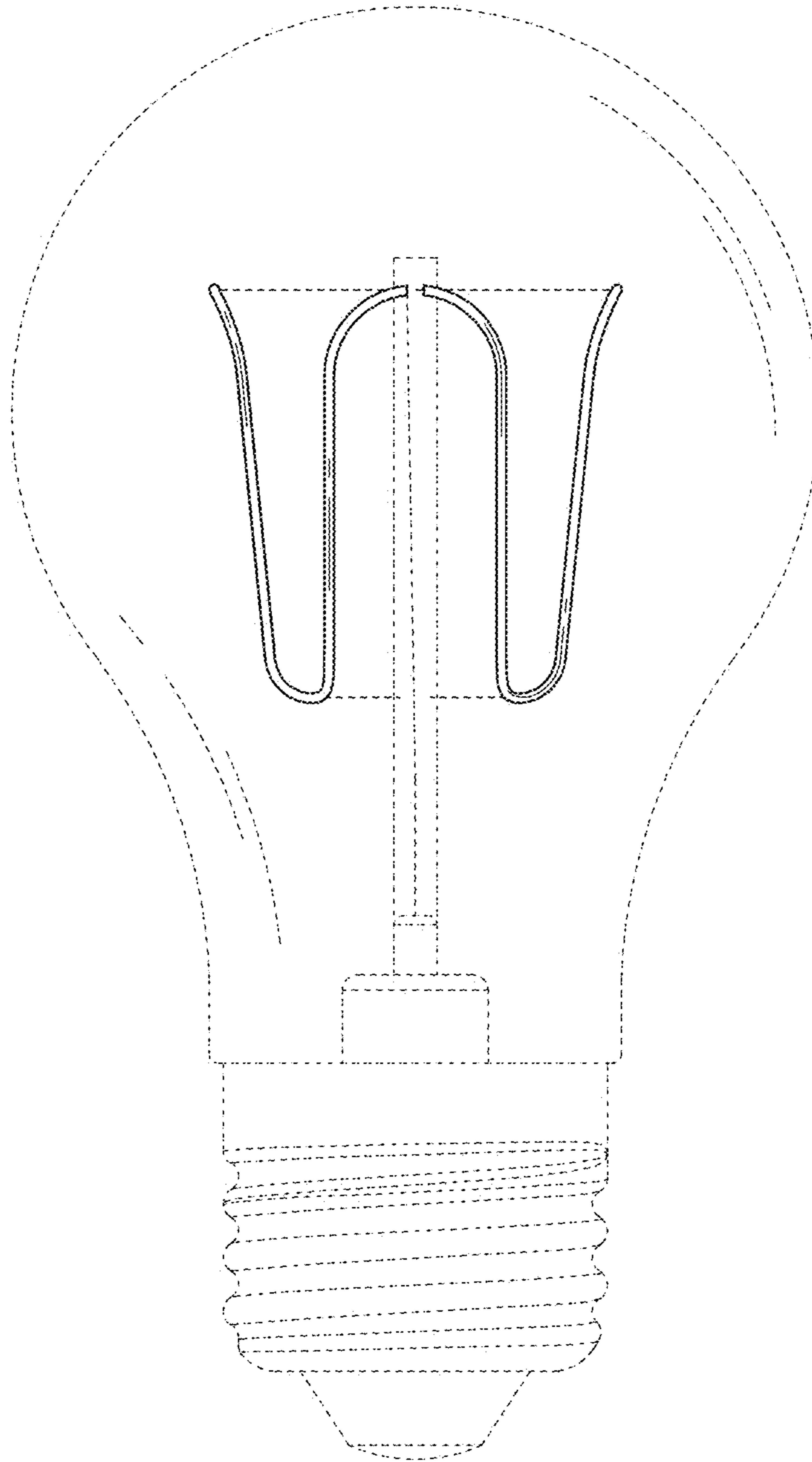


FIG. 16

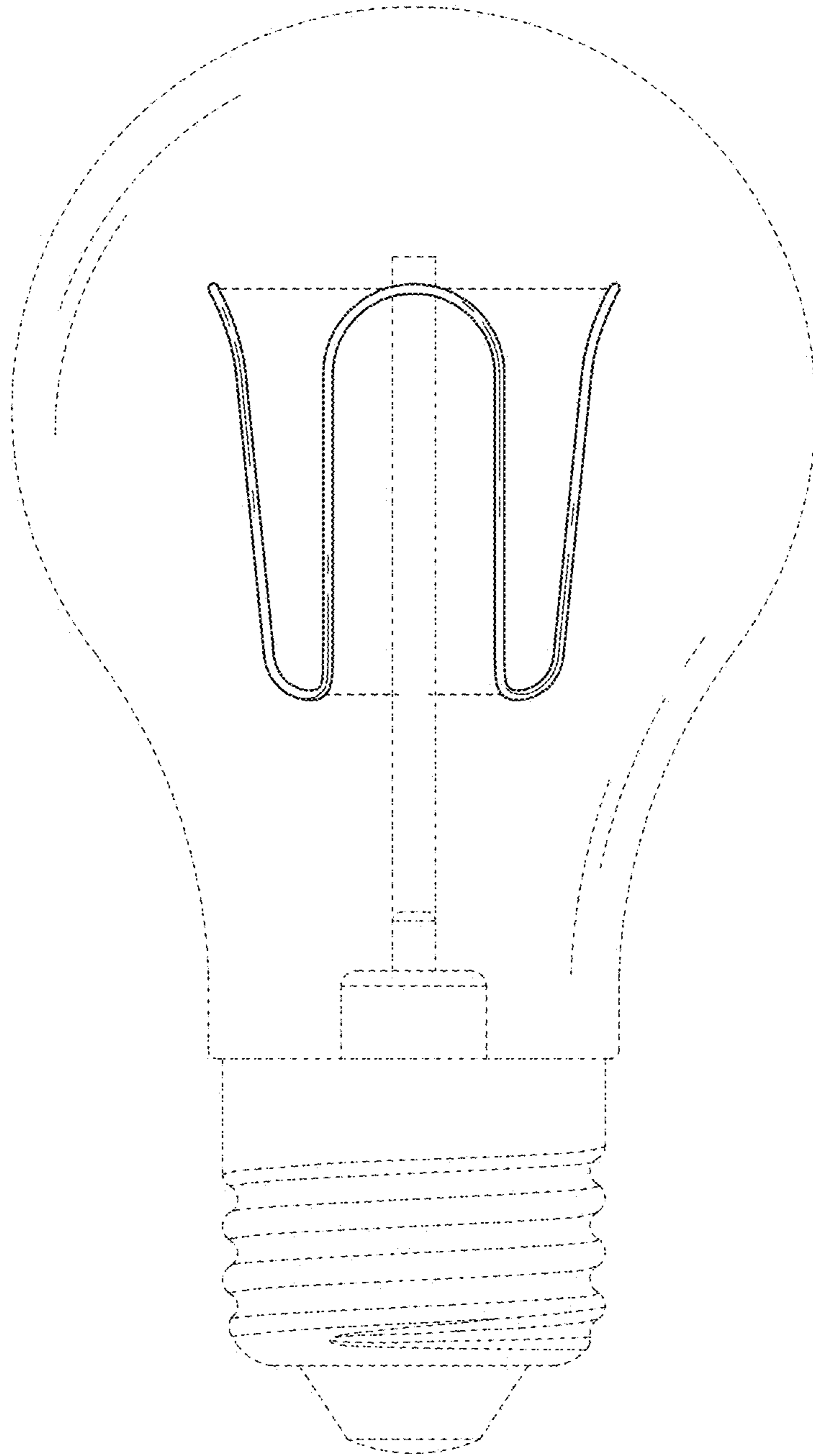


FIG. 17

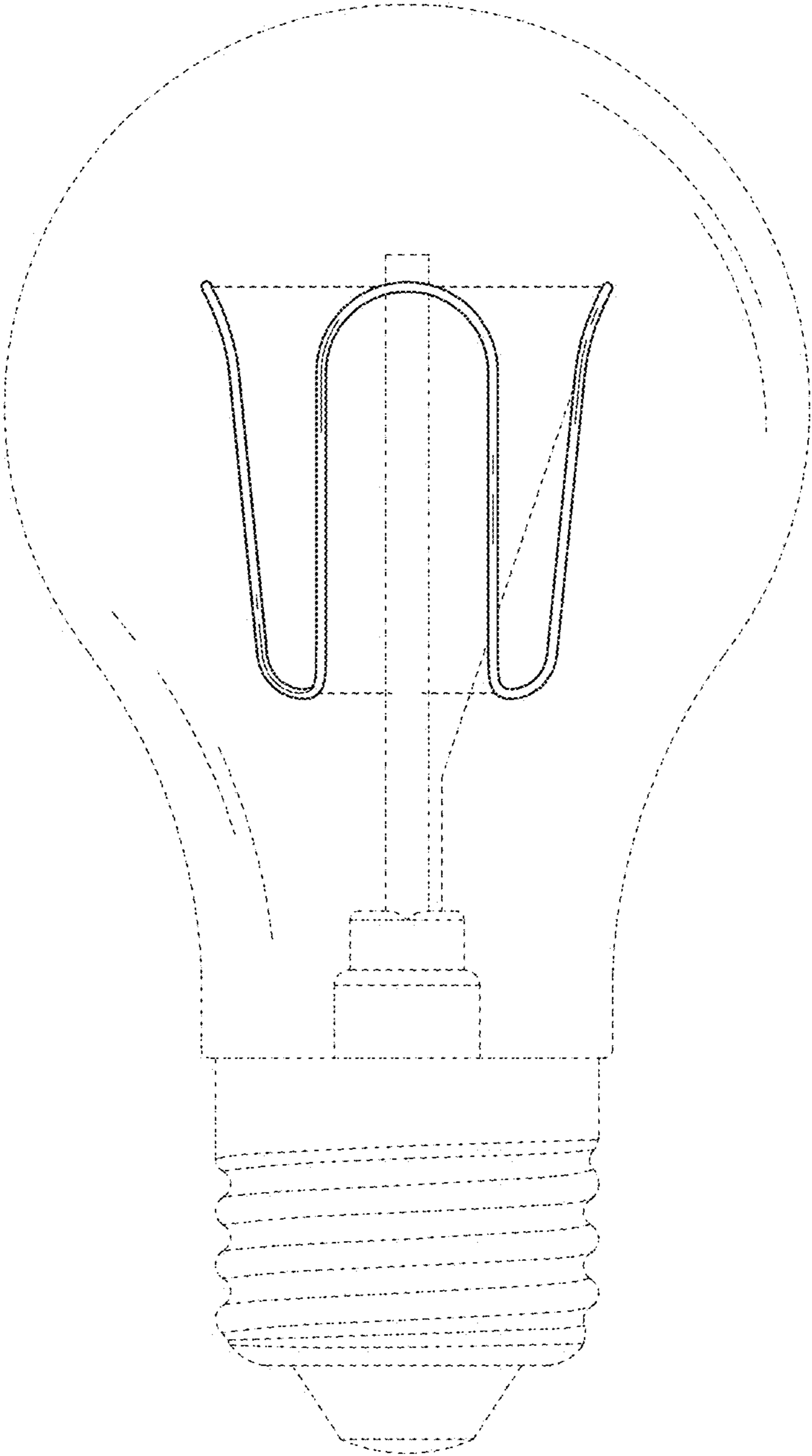


FIG.18

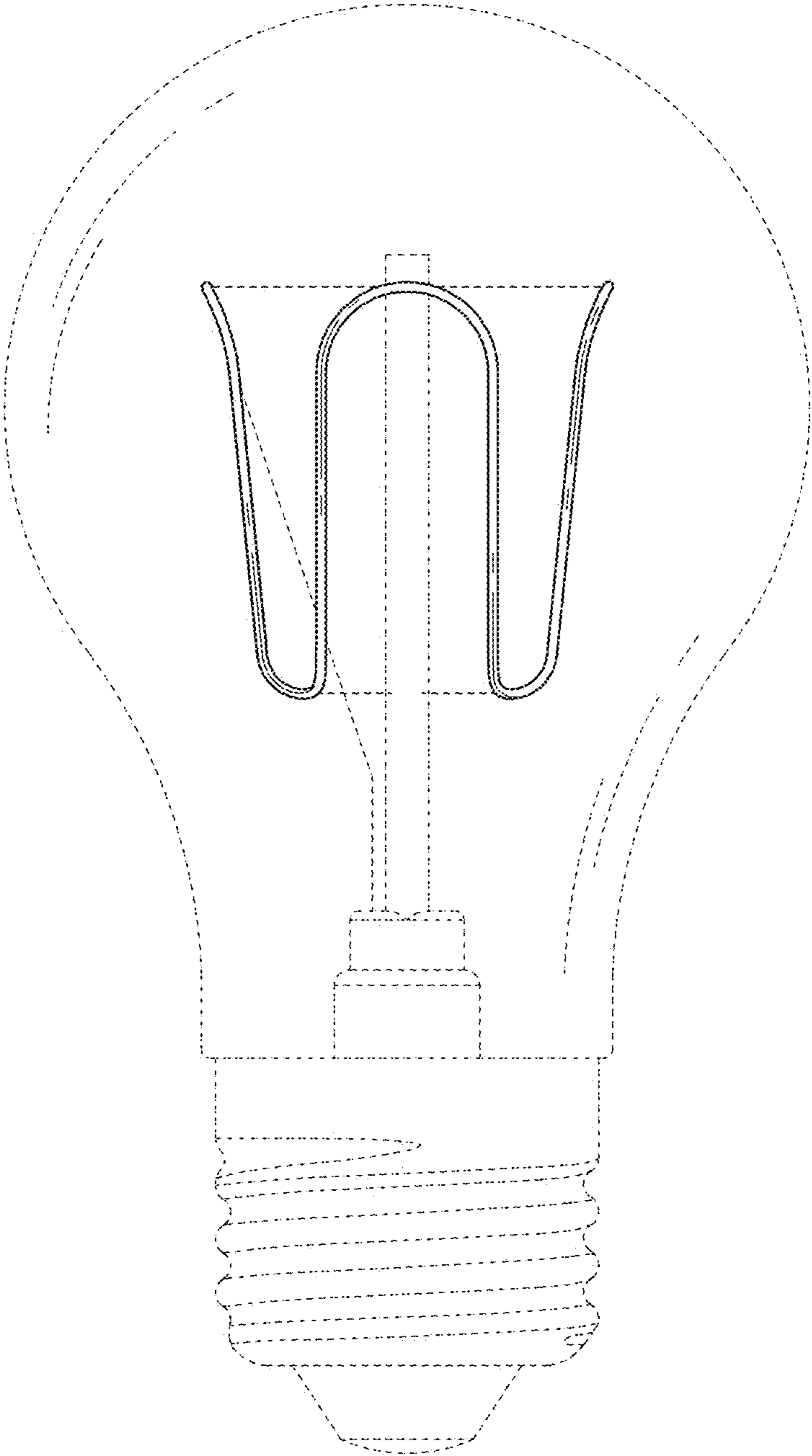


FIG. 19

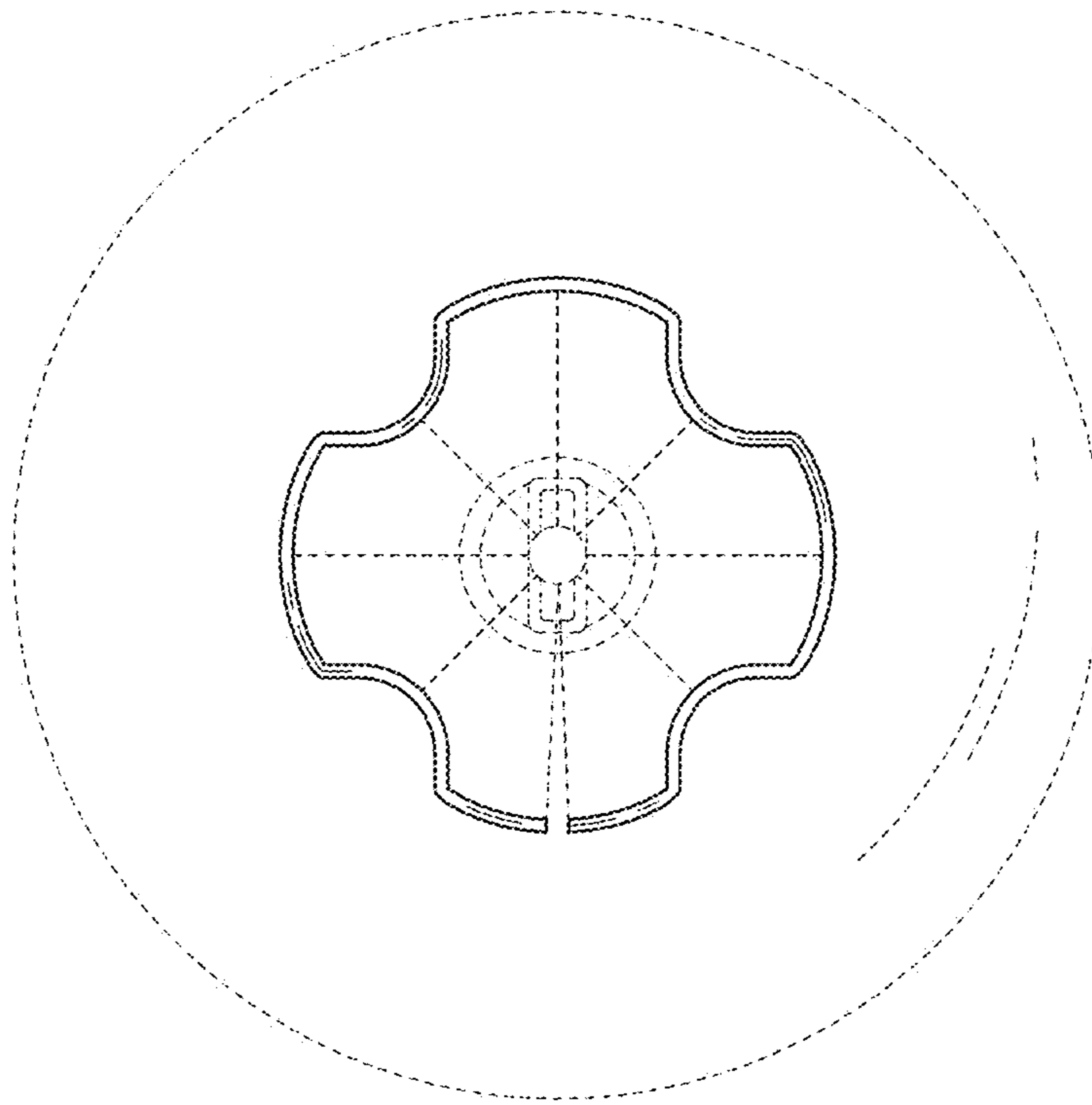


FIG.20

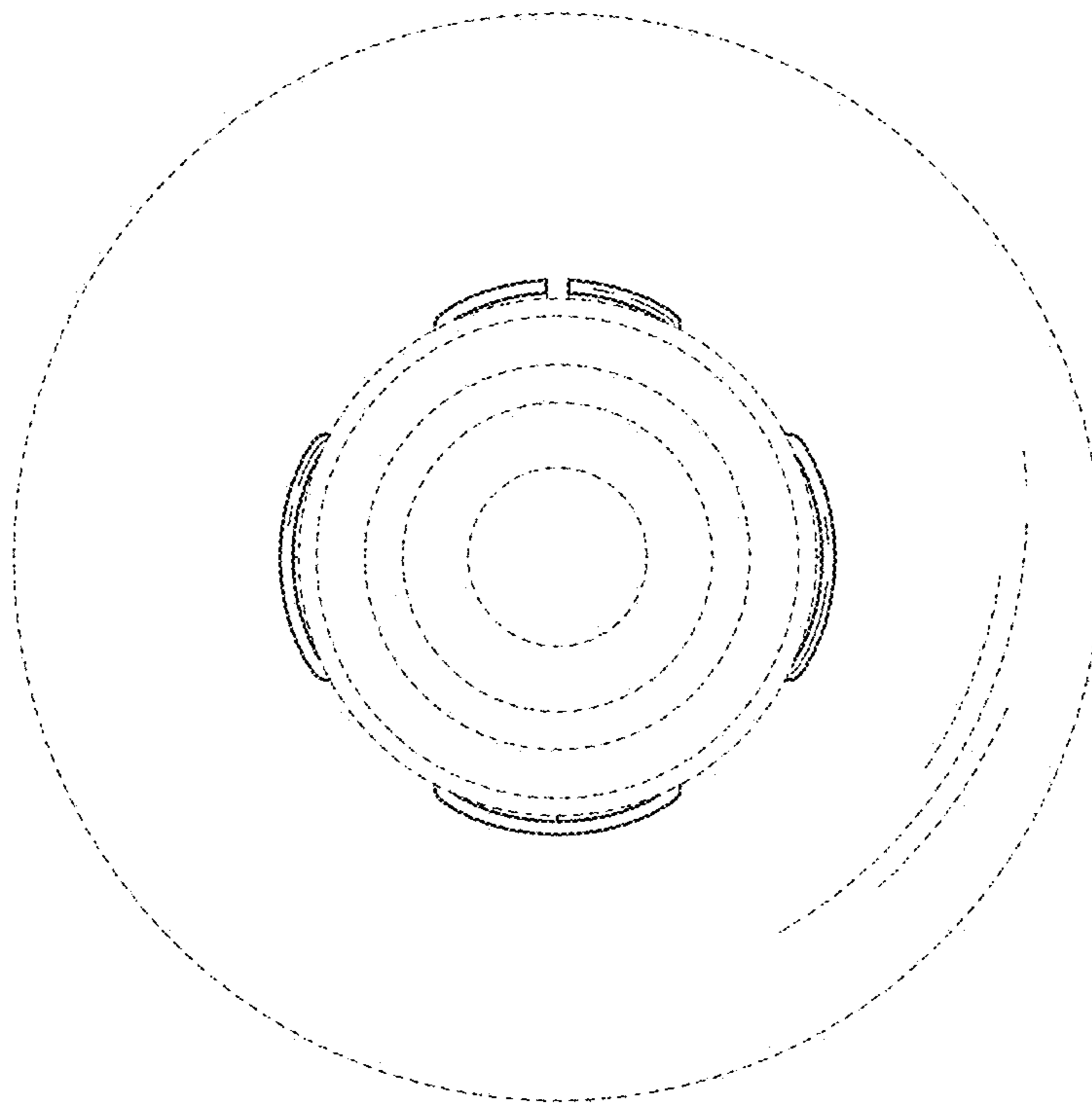


FIG.21

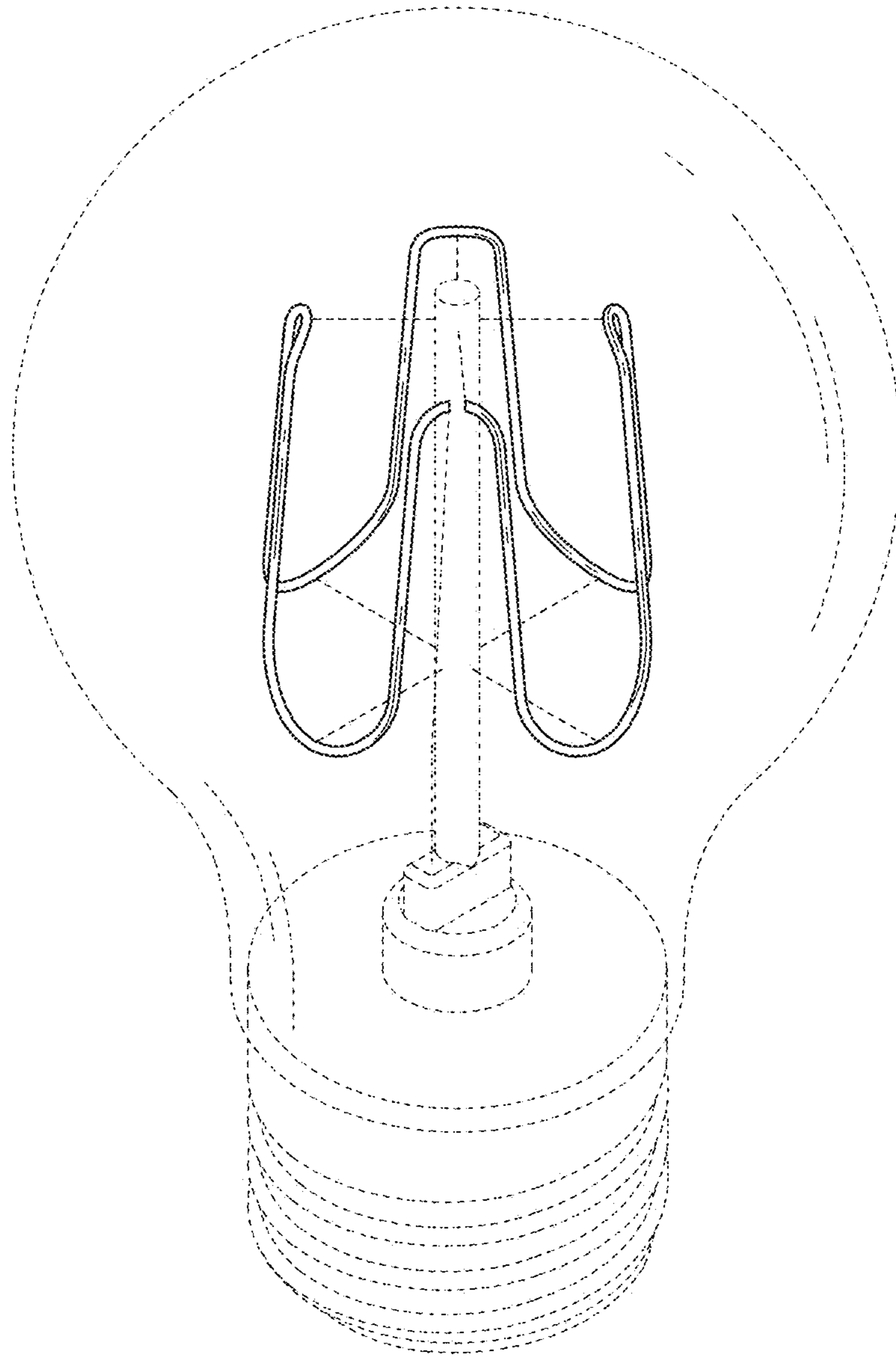


FIG.22

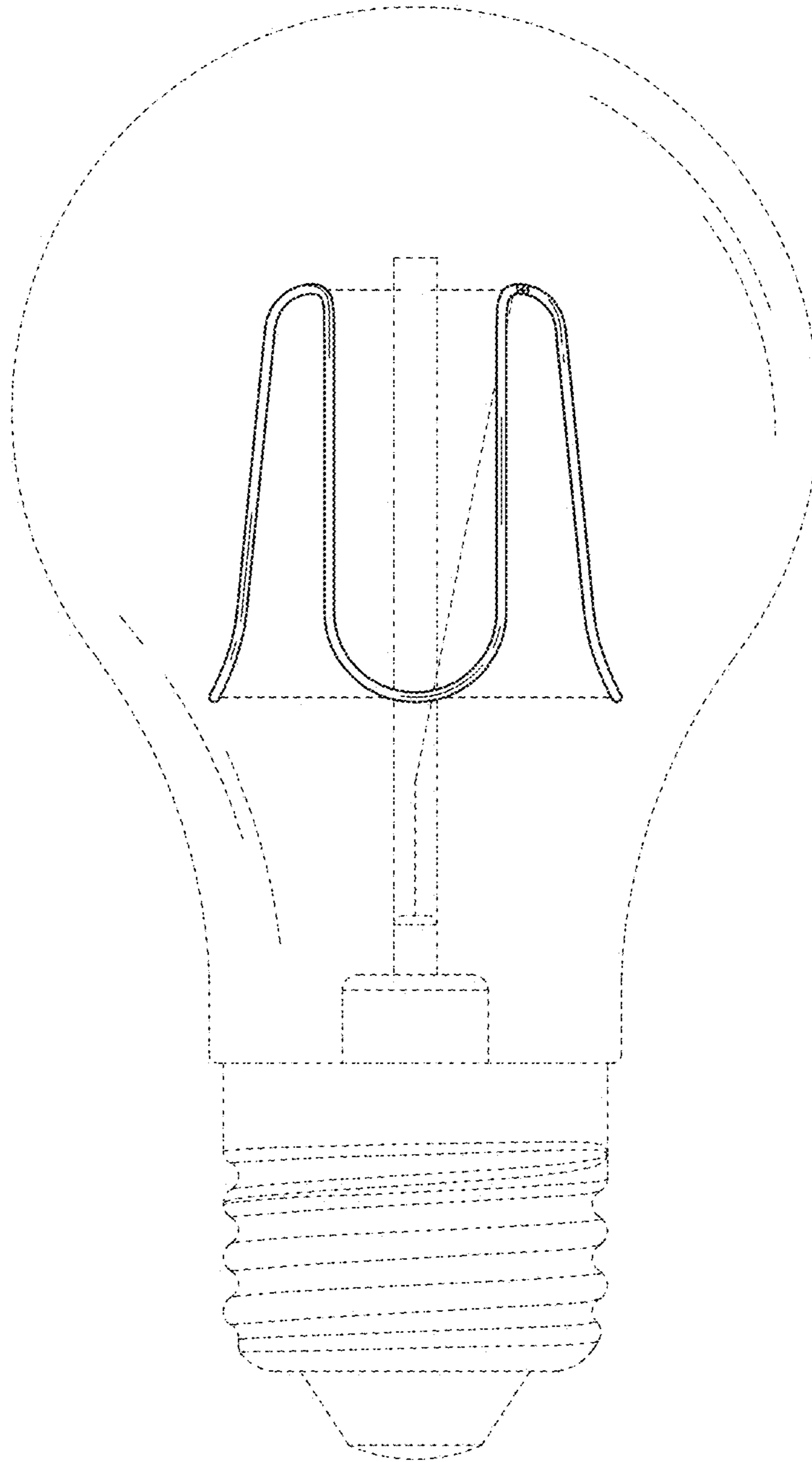


FIG. 23

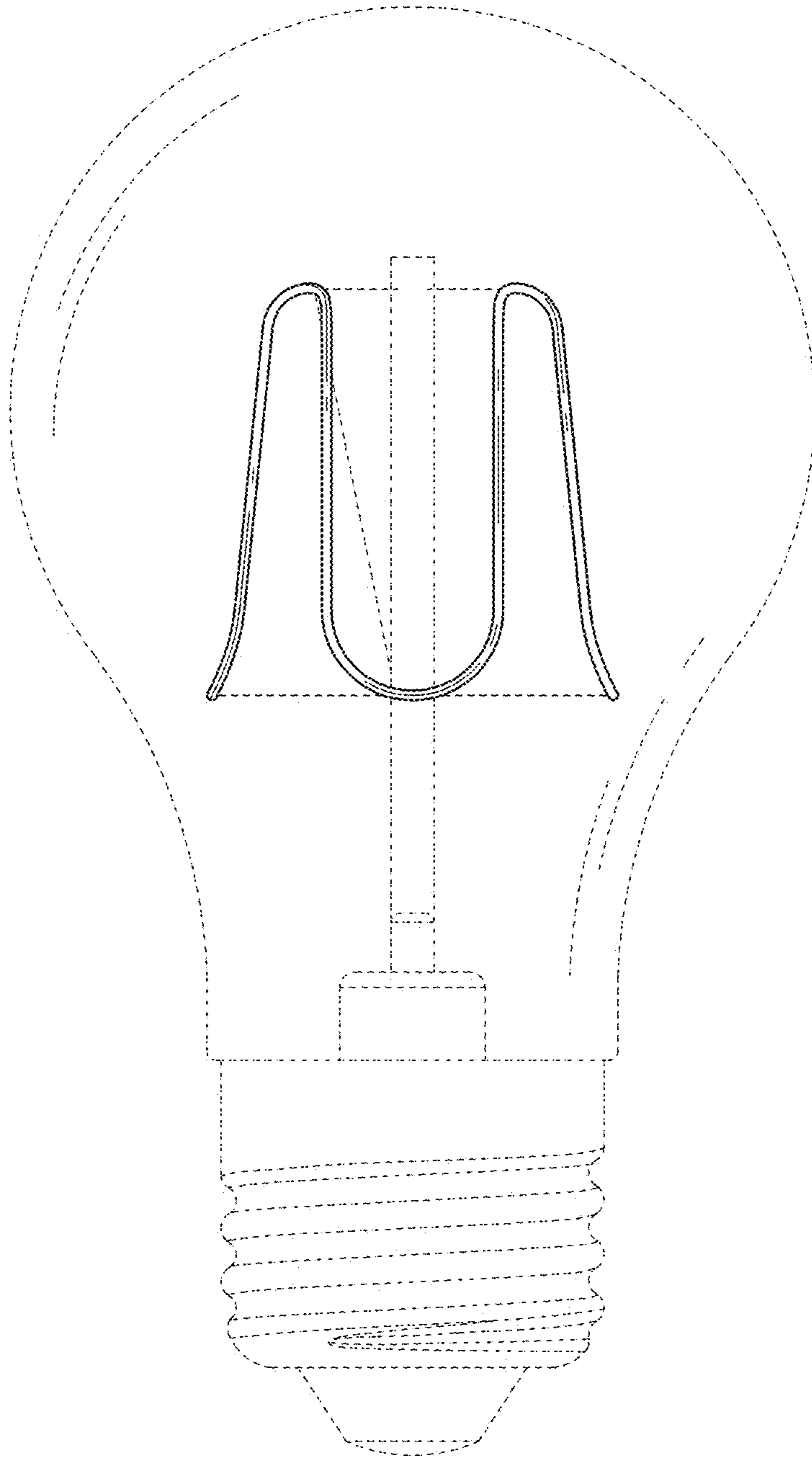


FIG.24

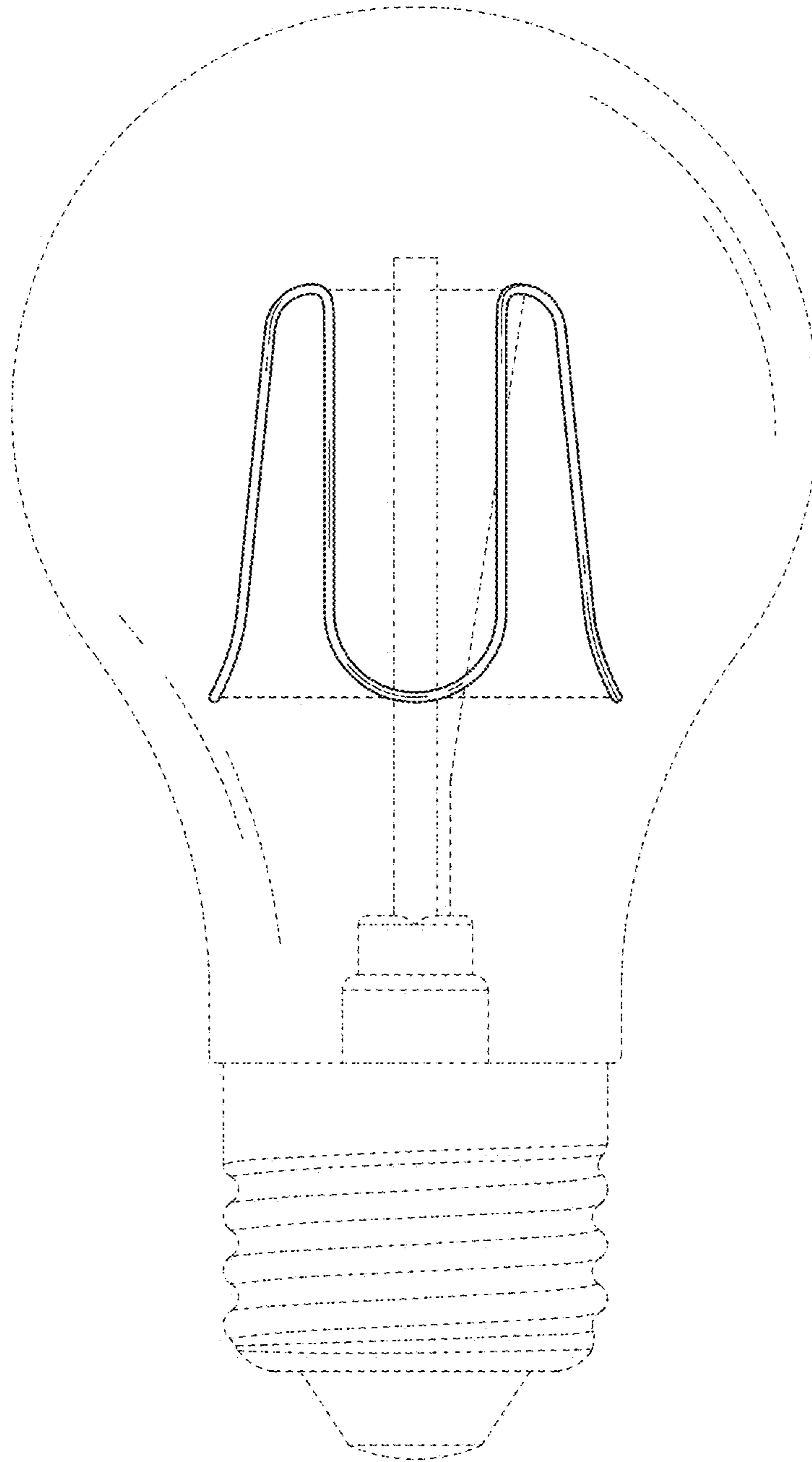


FIG.25

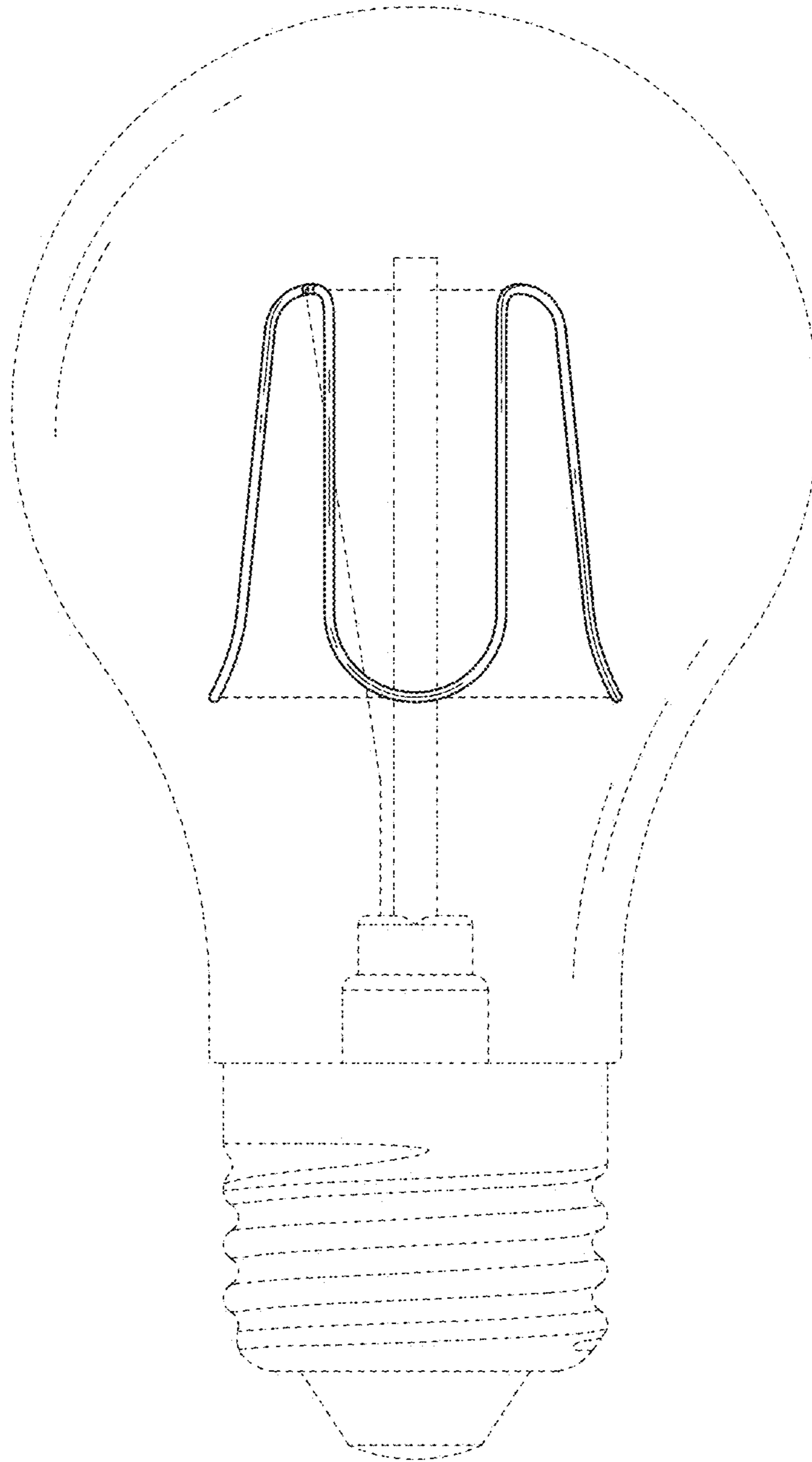


FIG. 26

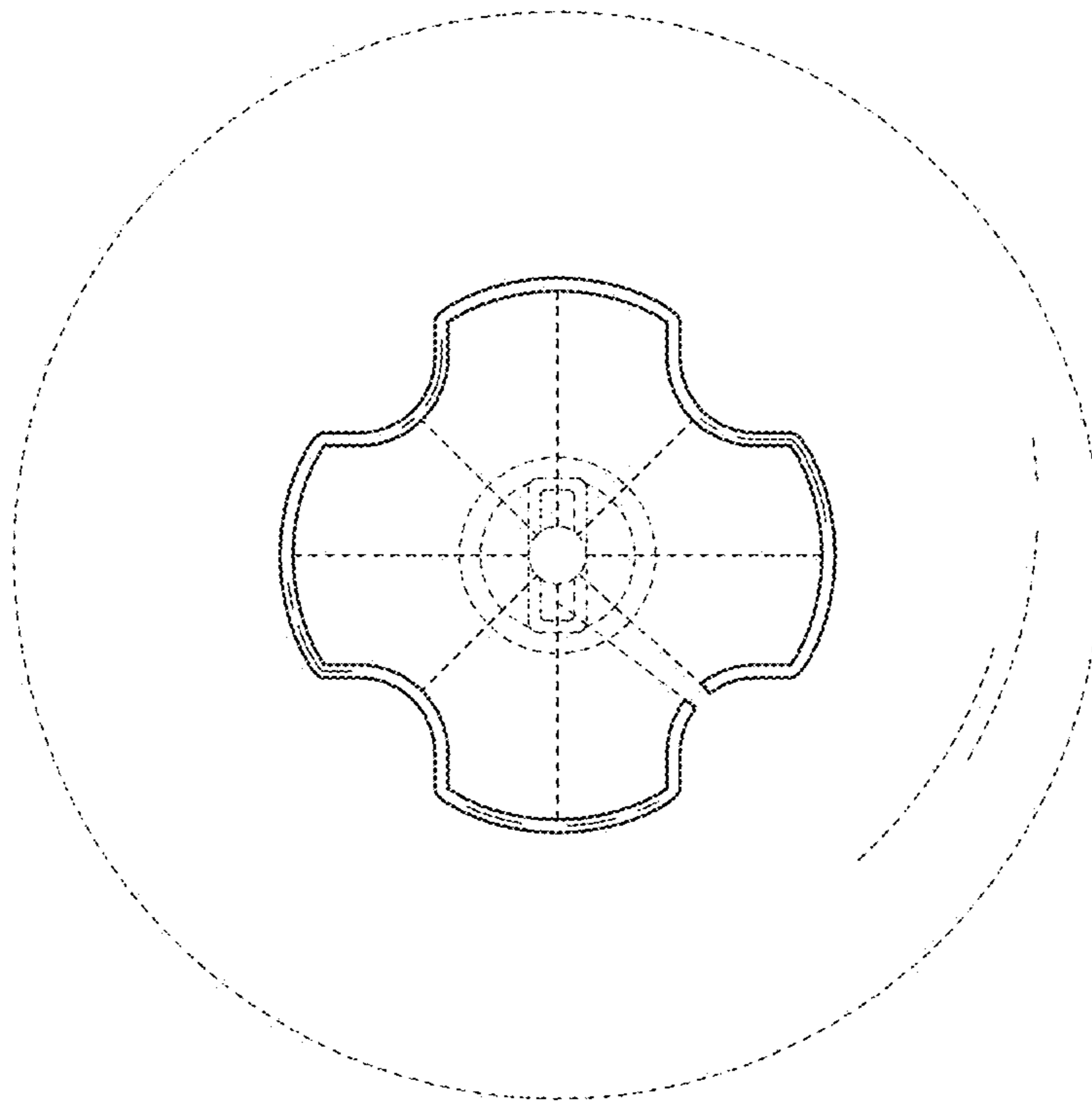


FIG.27

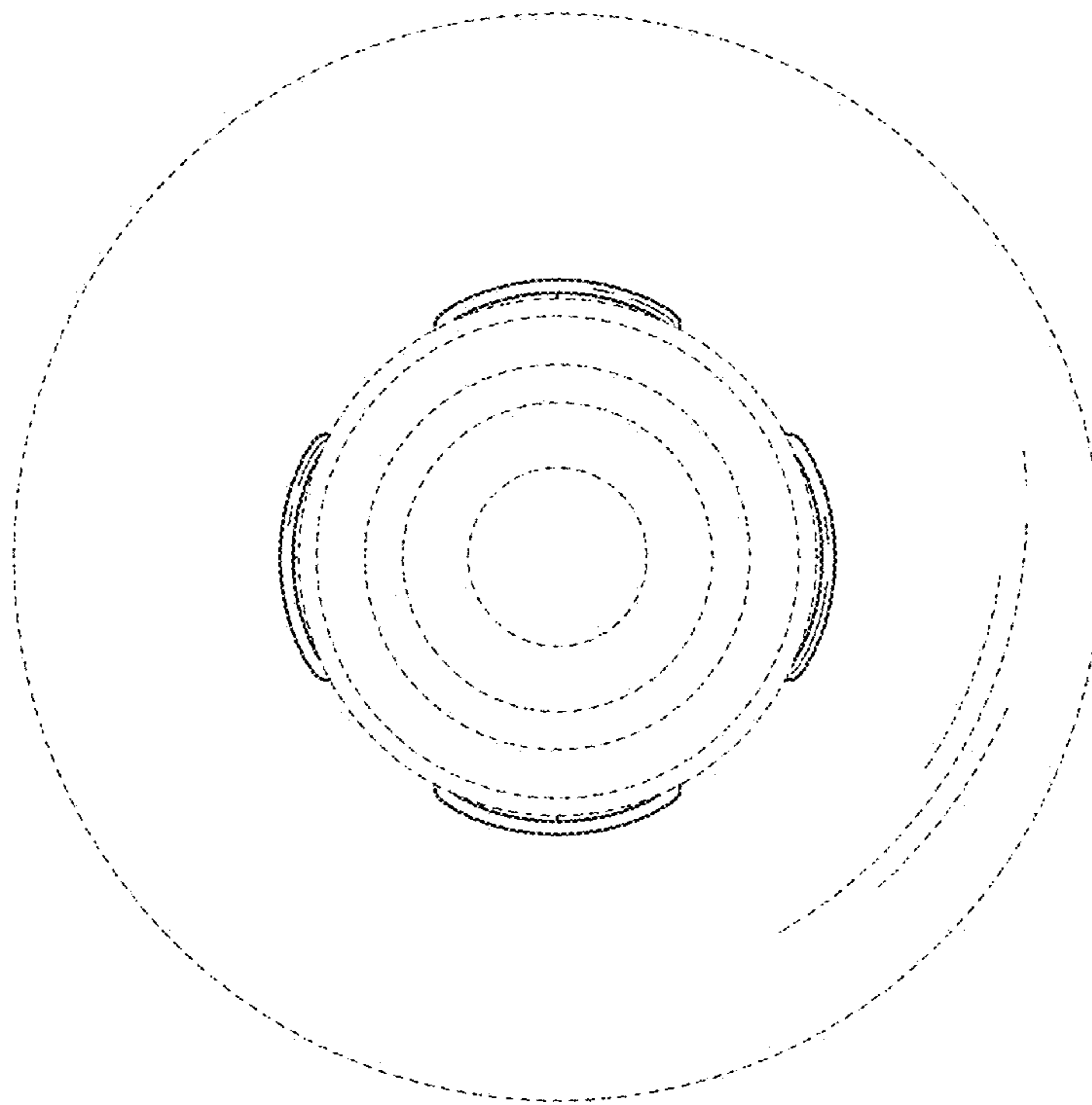


FIG.28

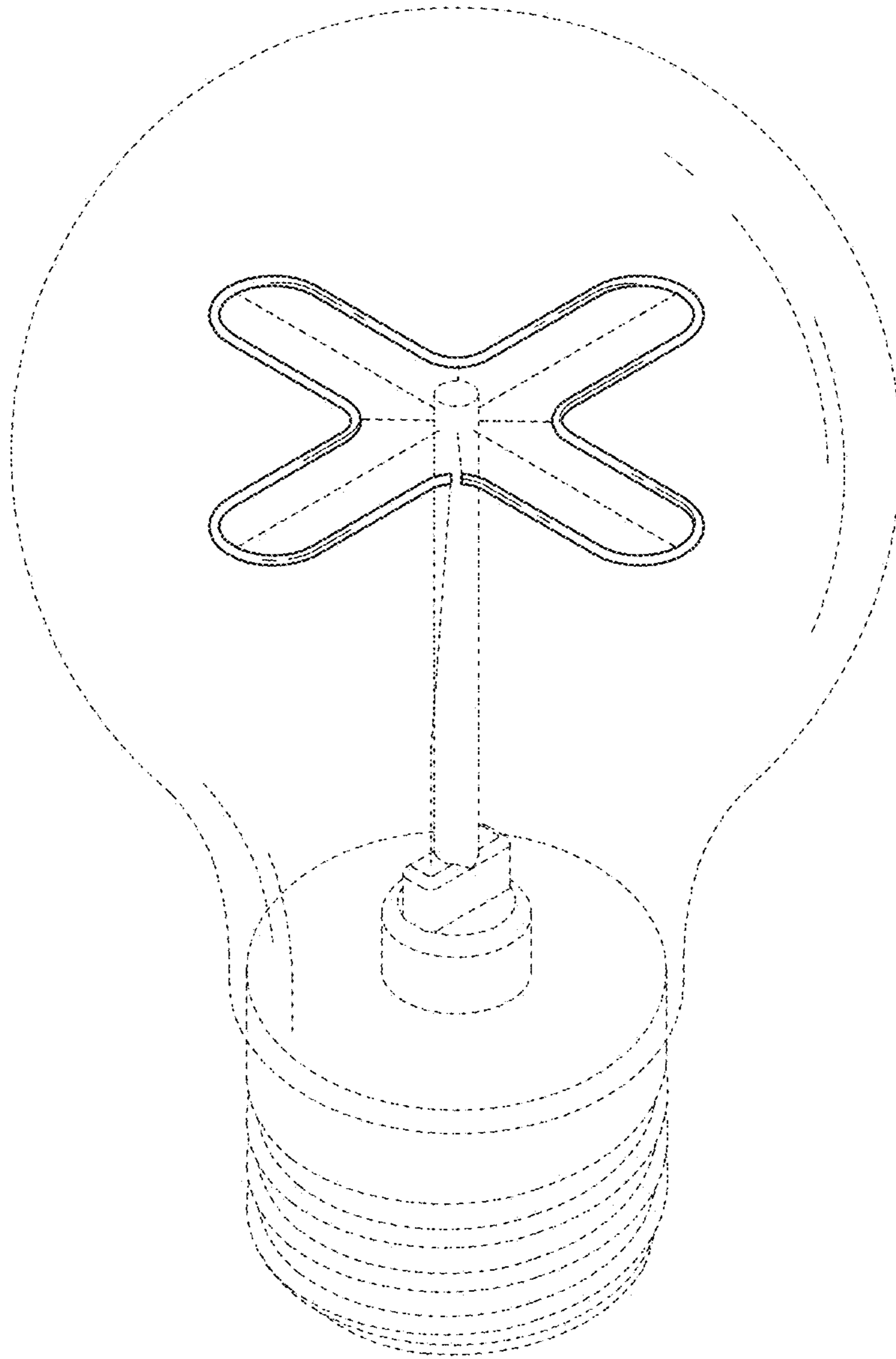


FIG.29

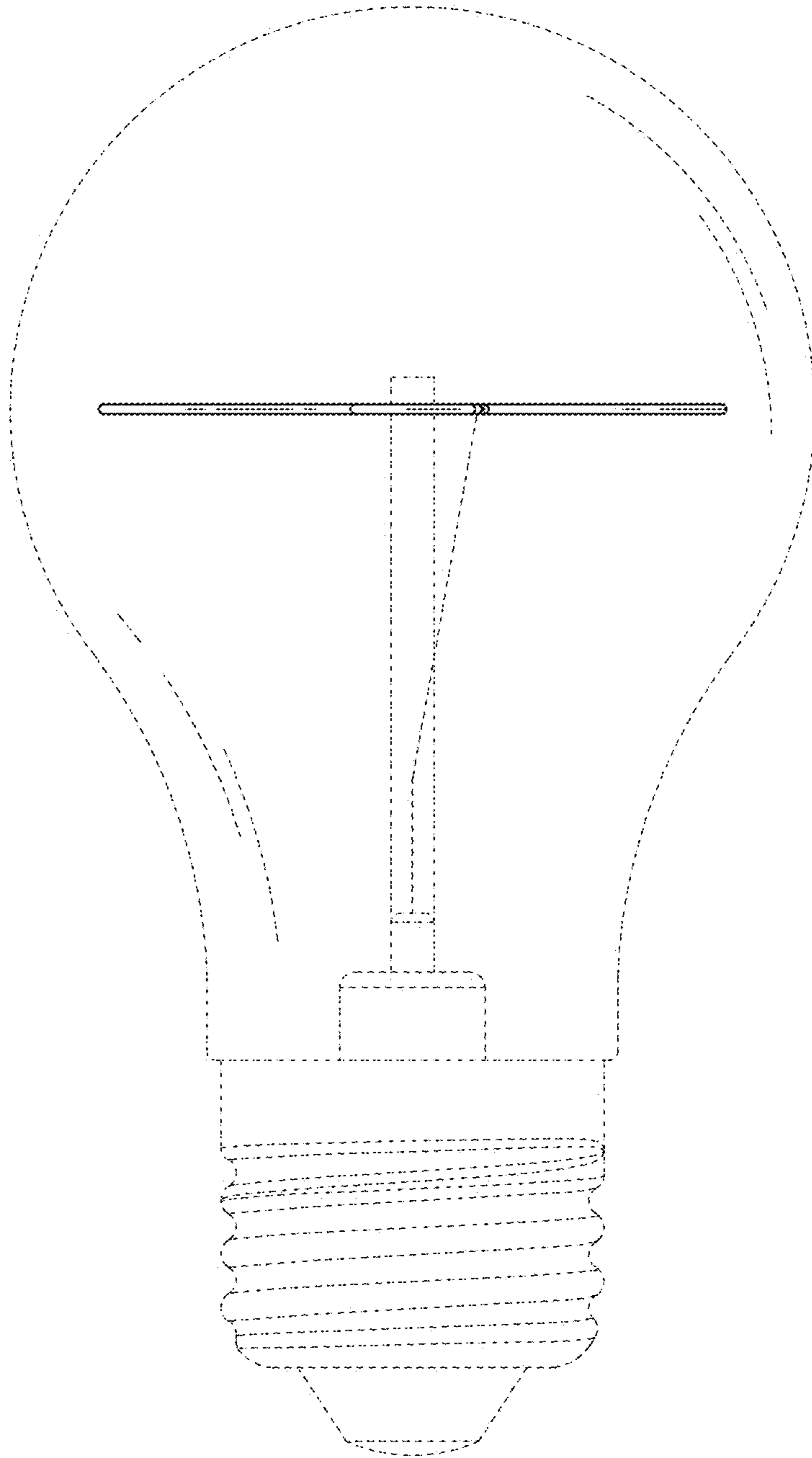


FIG. 30

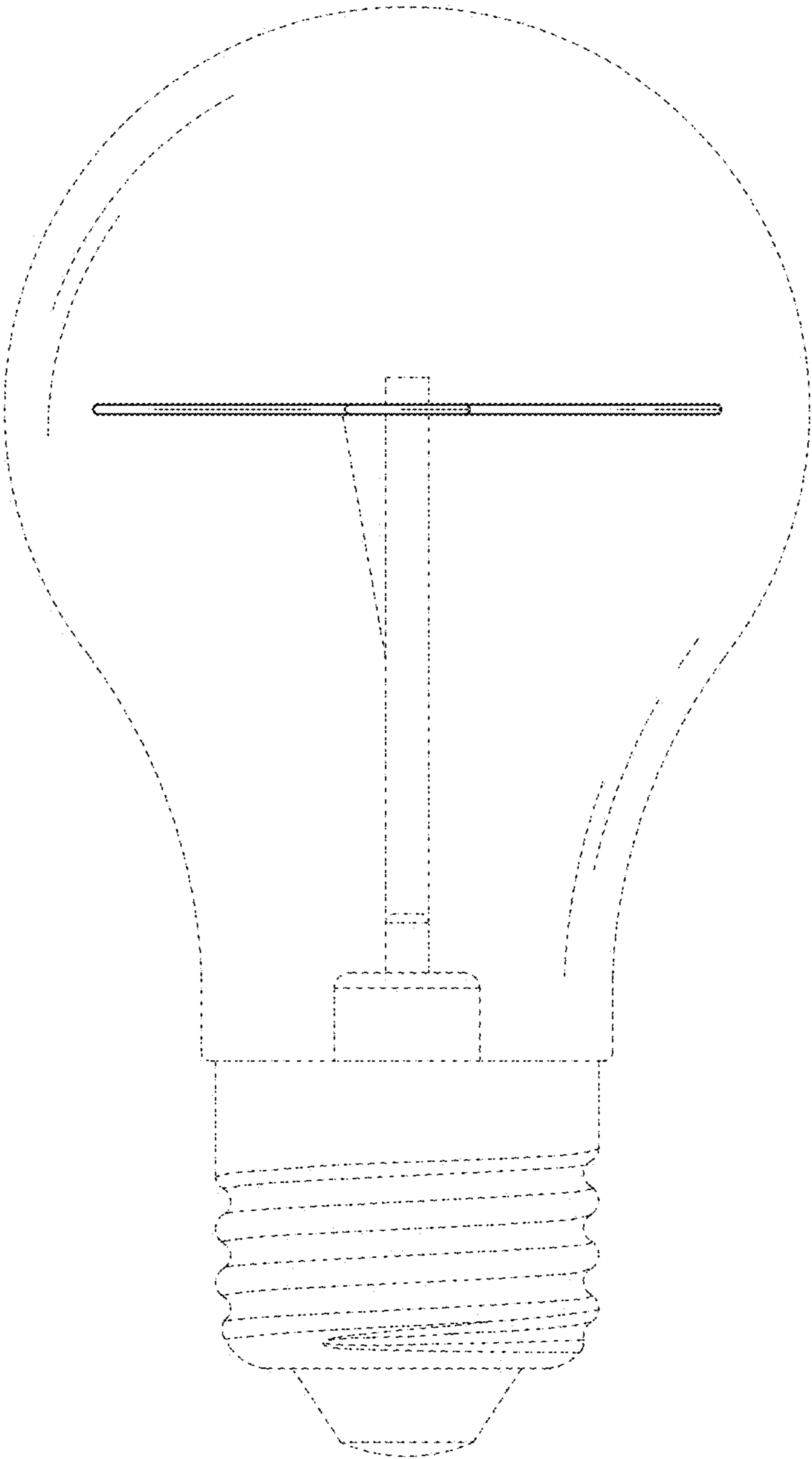


FIG.31

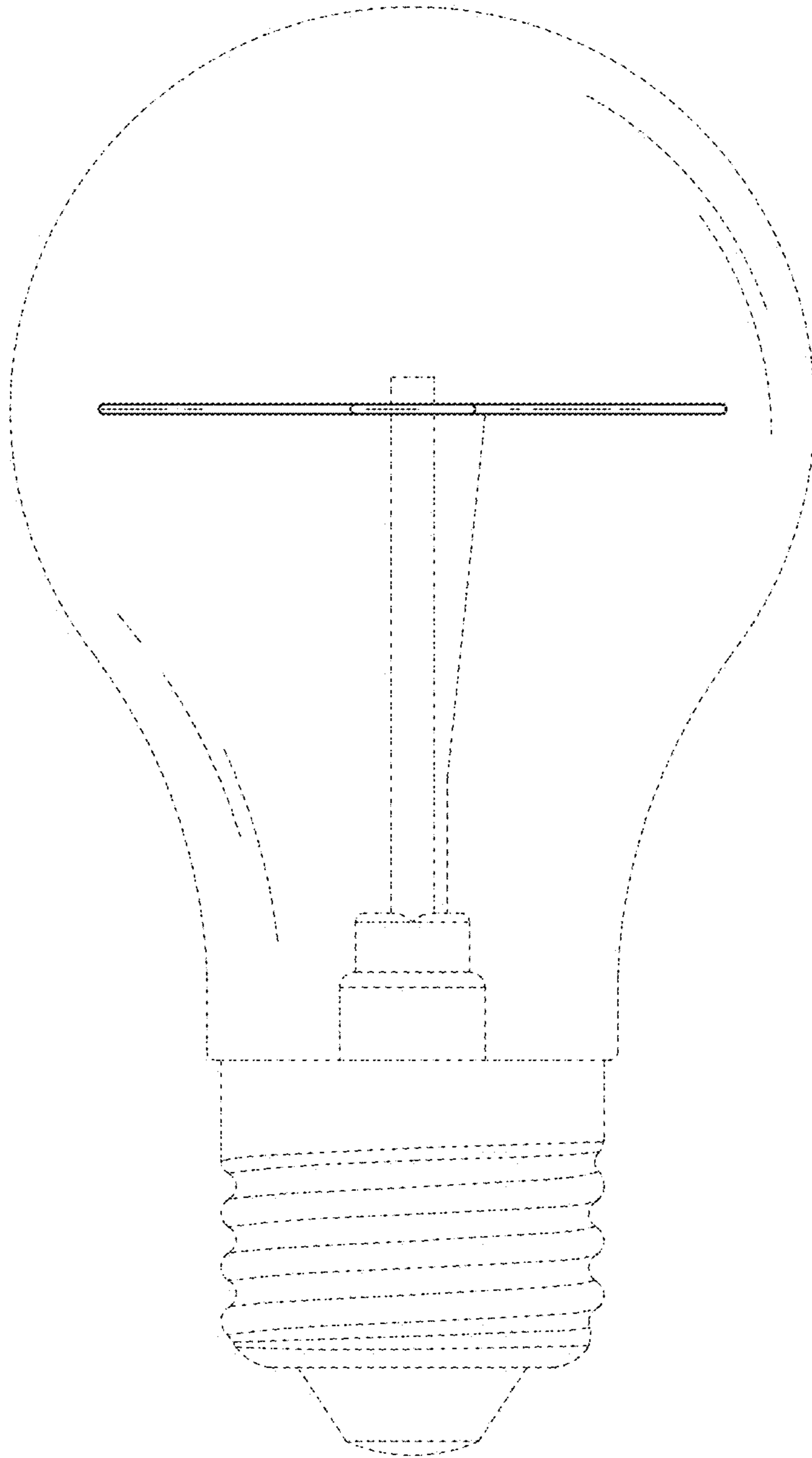


FIG.32

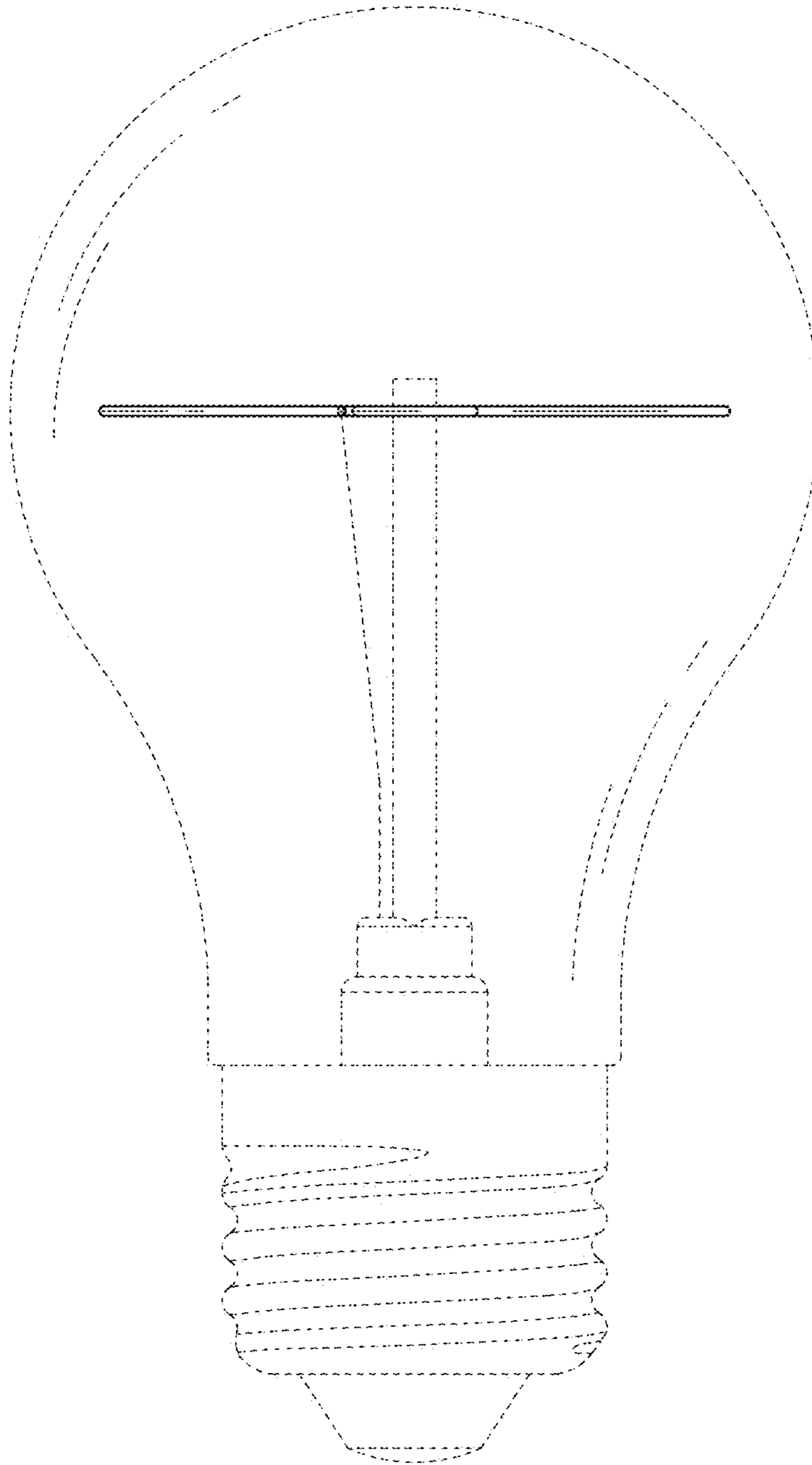


FIG.33

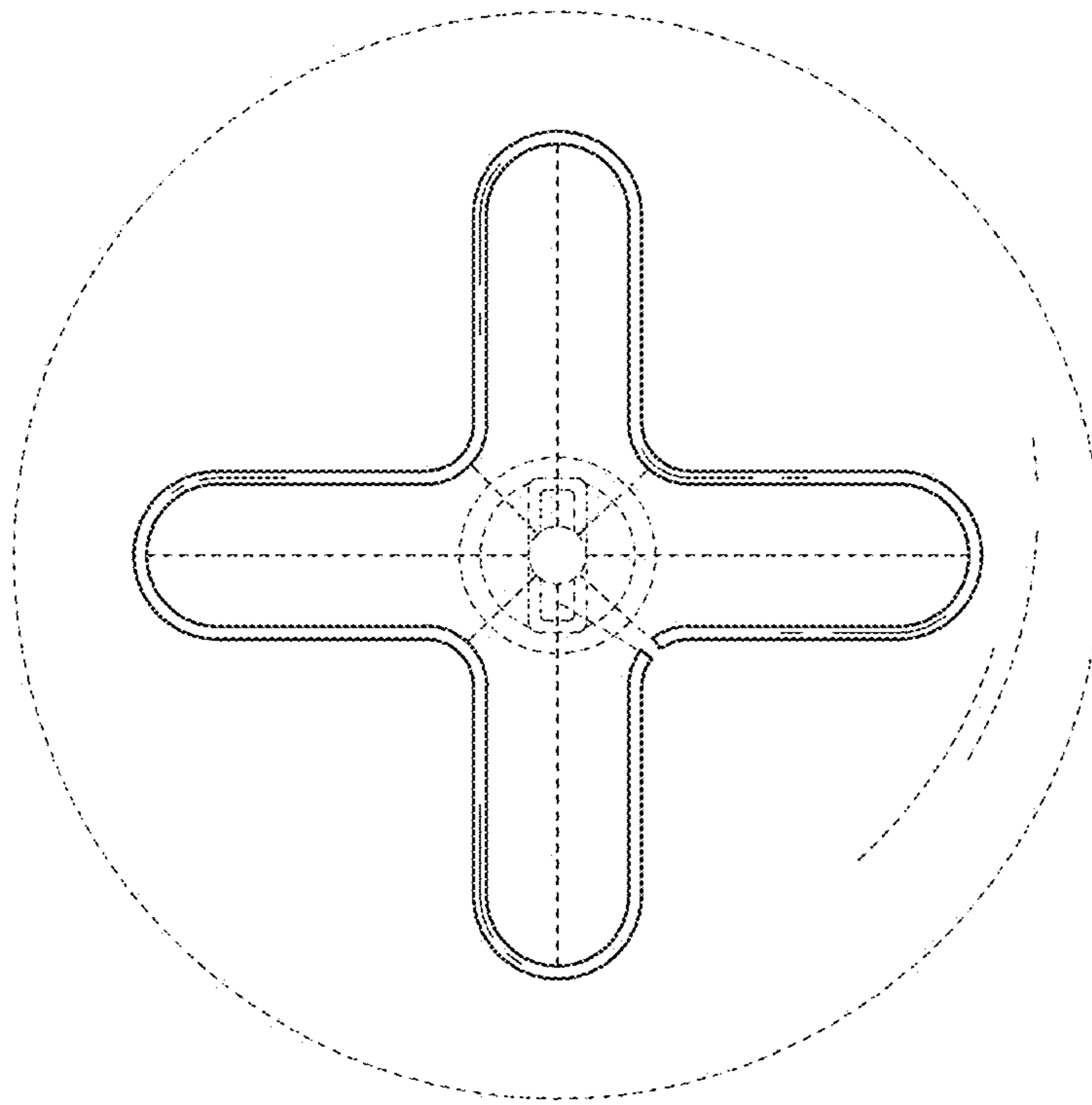


FIG. 34

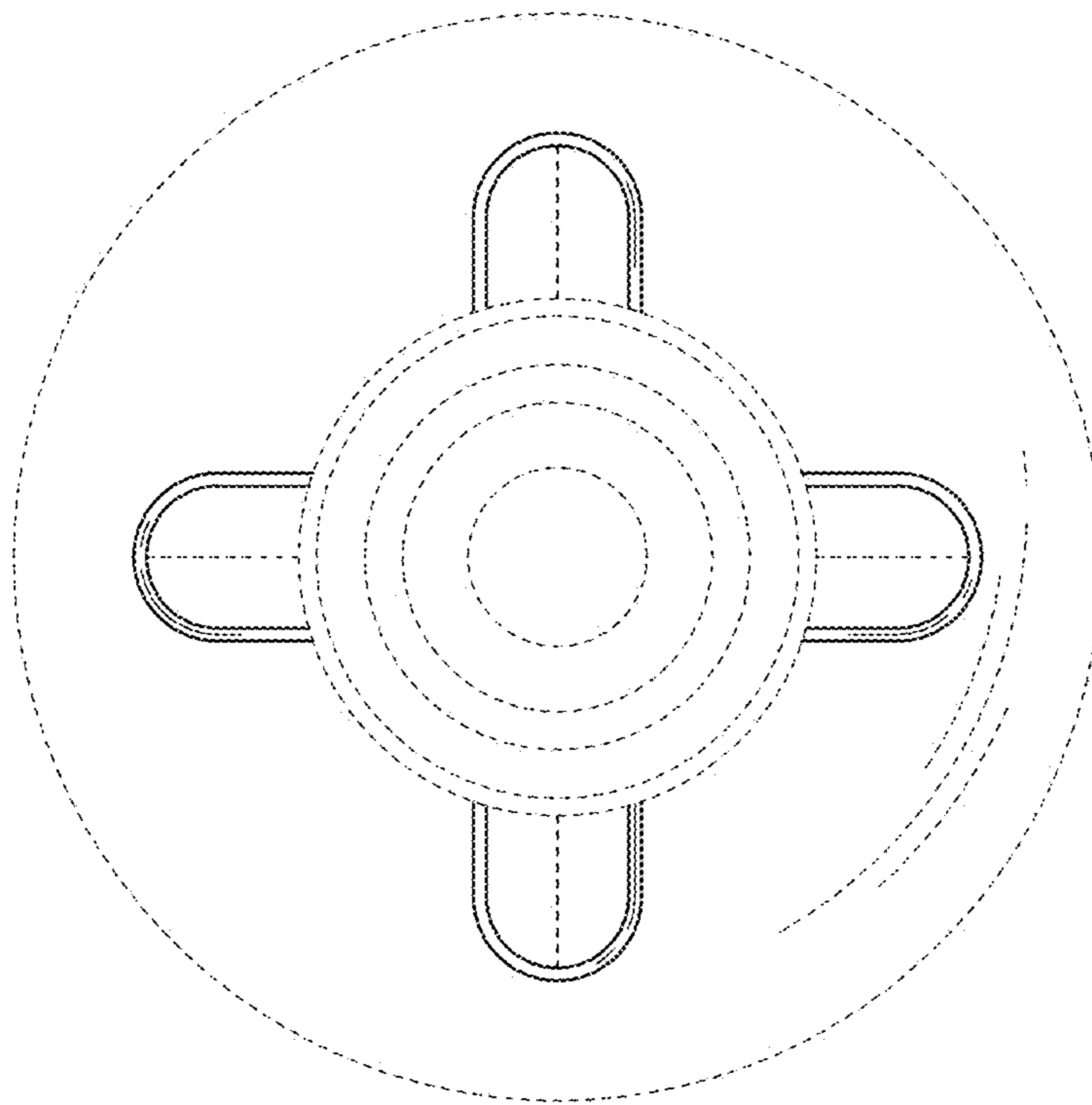


FIG. 35

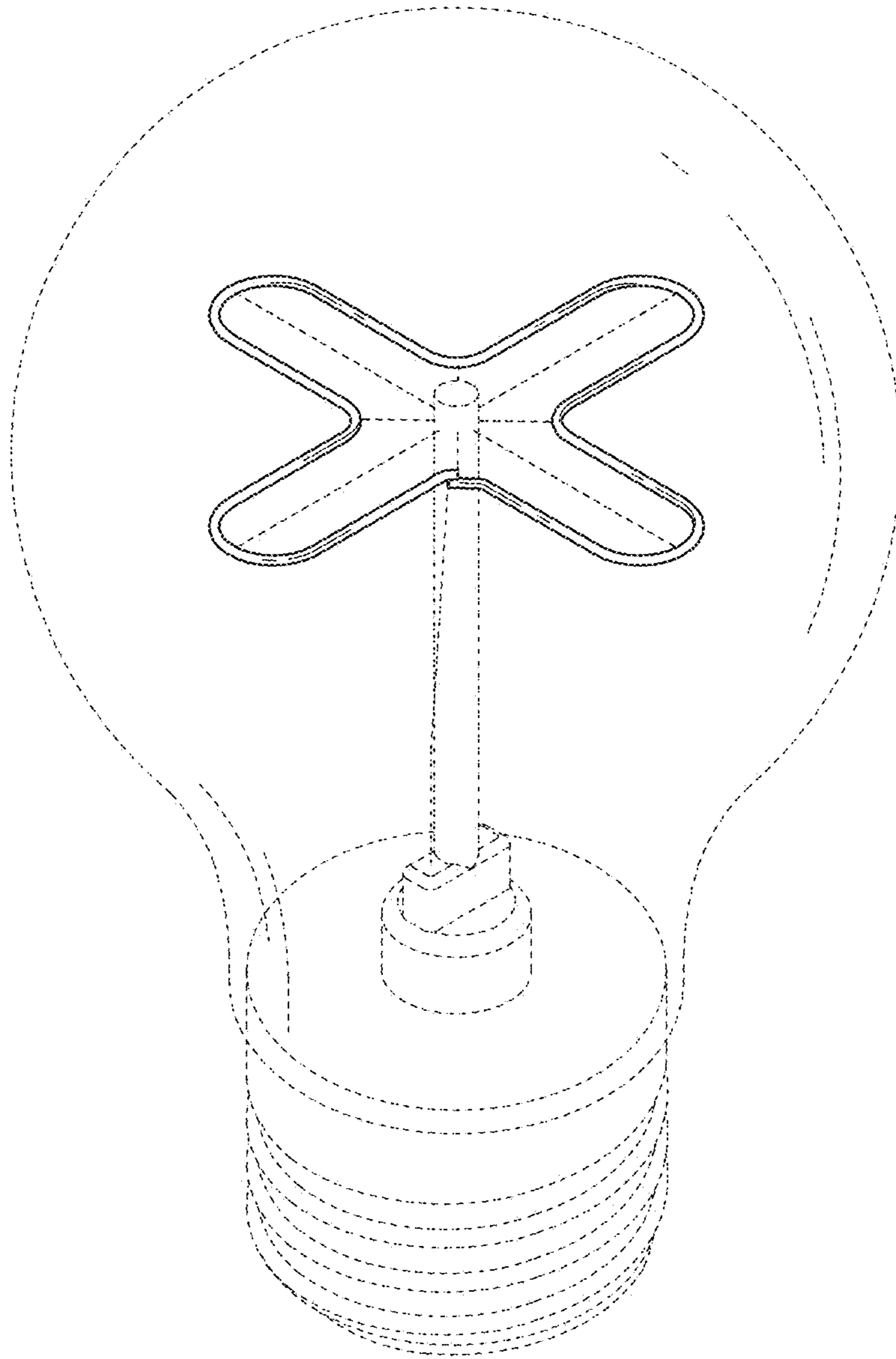


FIG.36

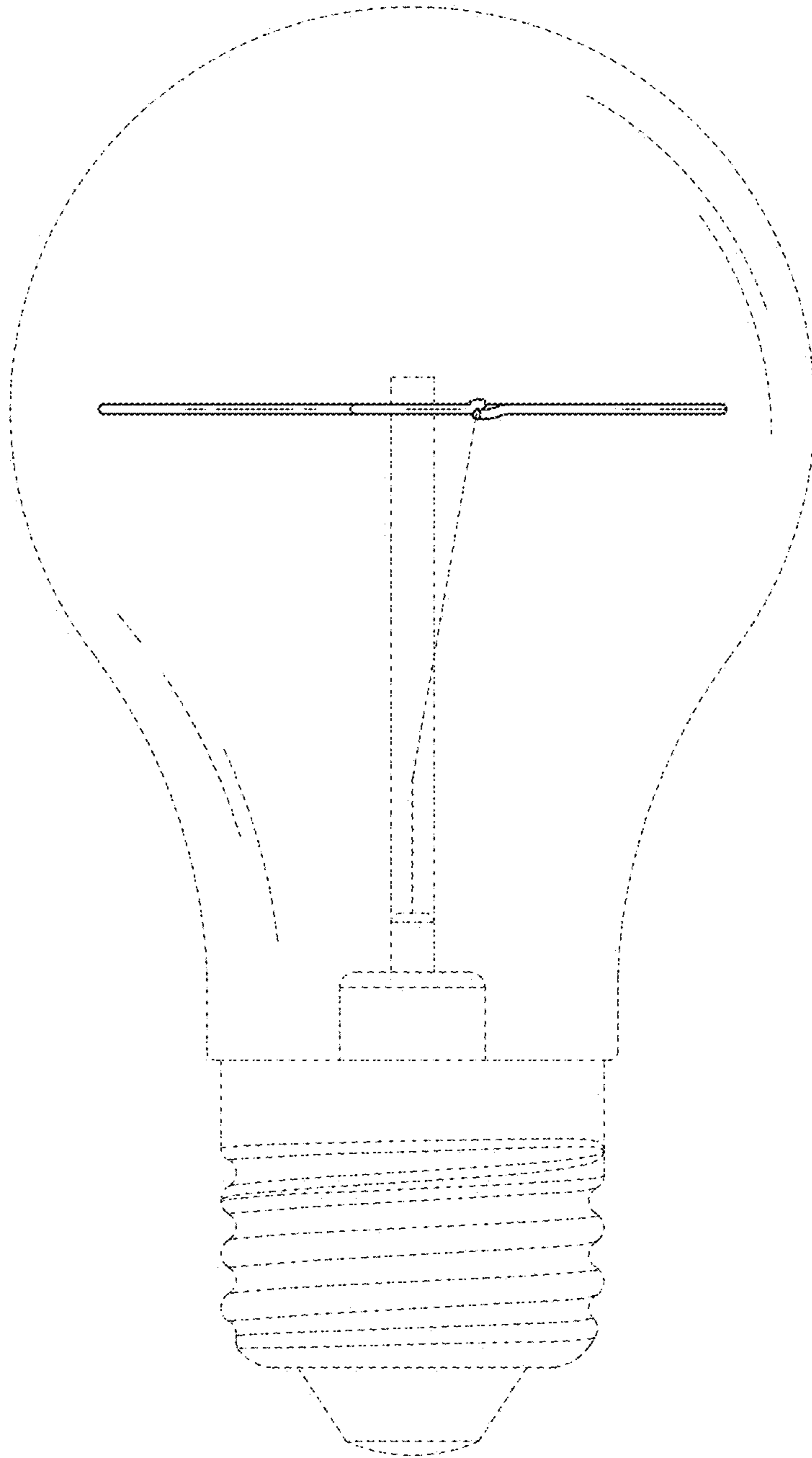


FIG.37

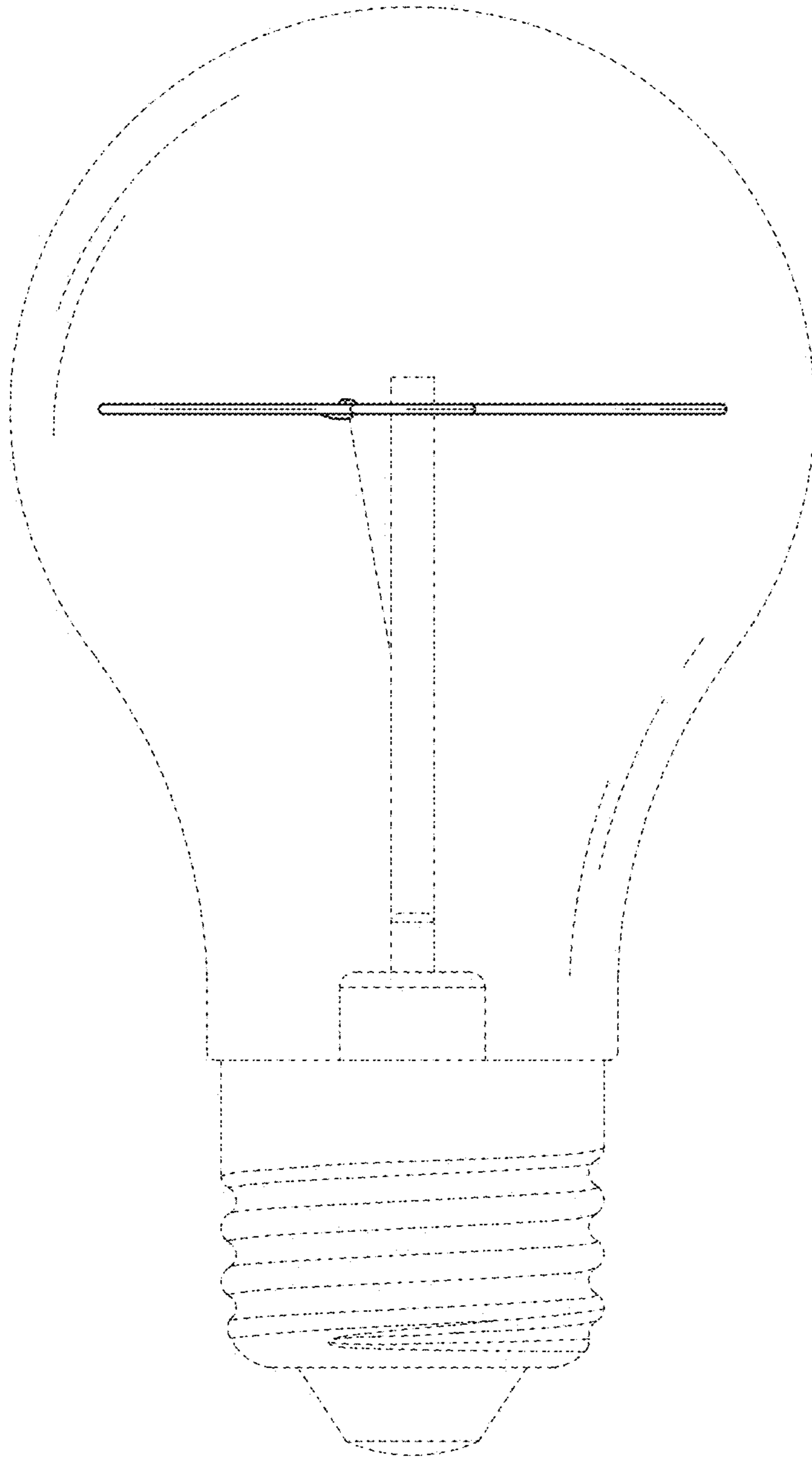


FIG.38

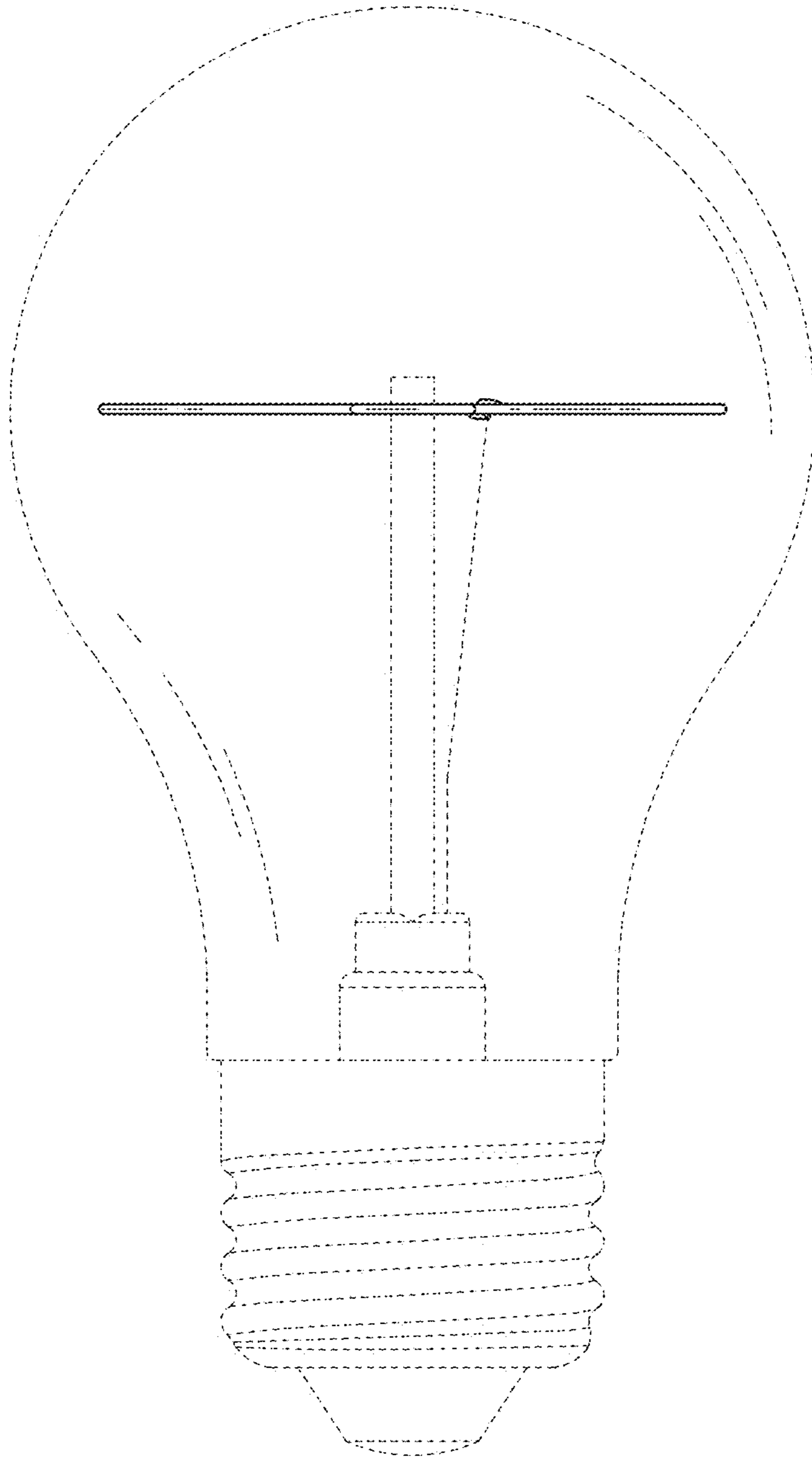


FIG.39

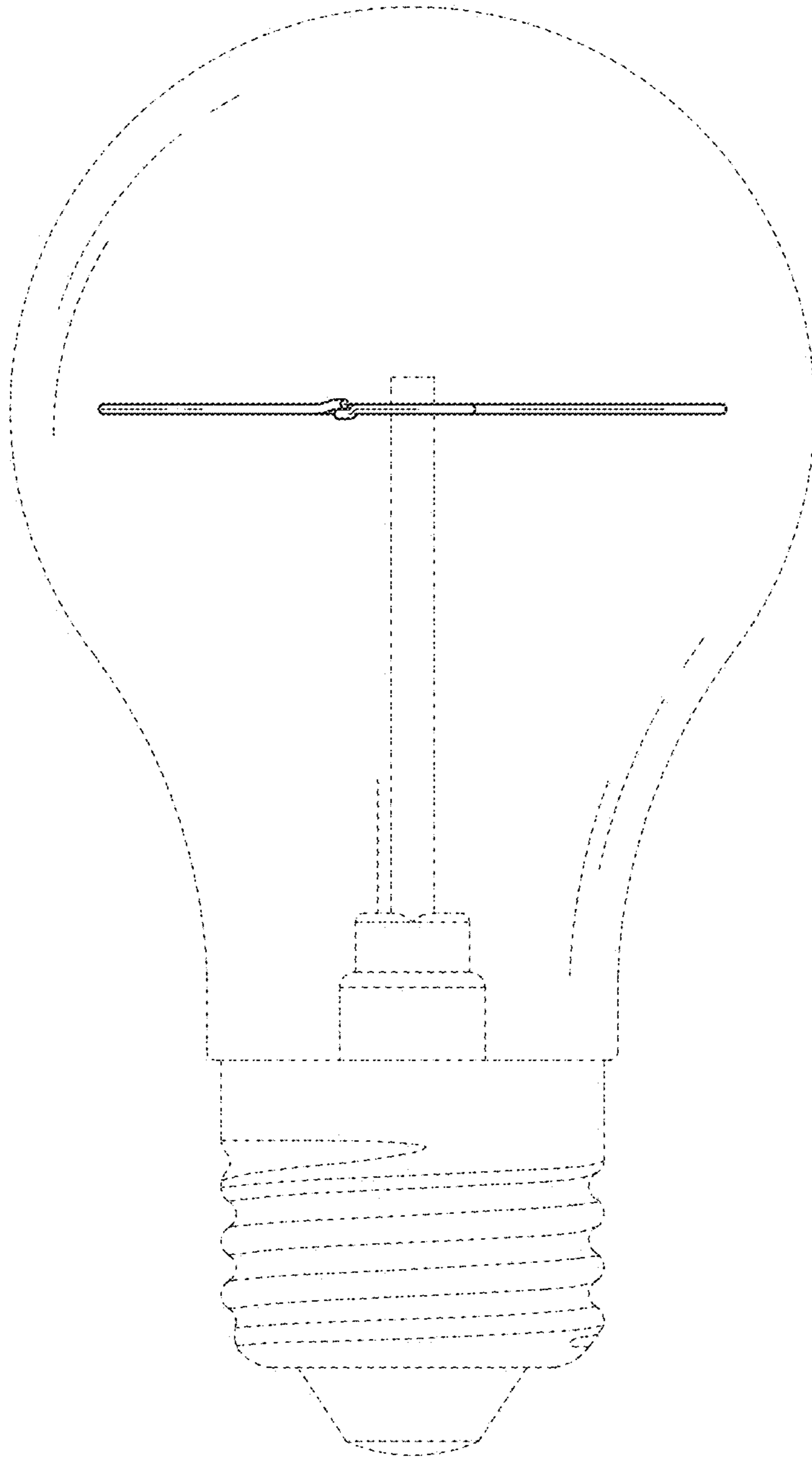


FIG.40

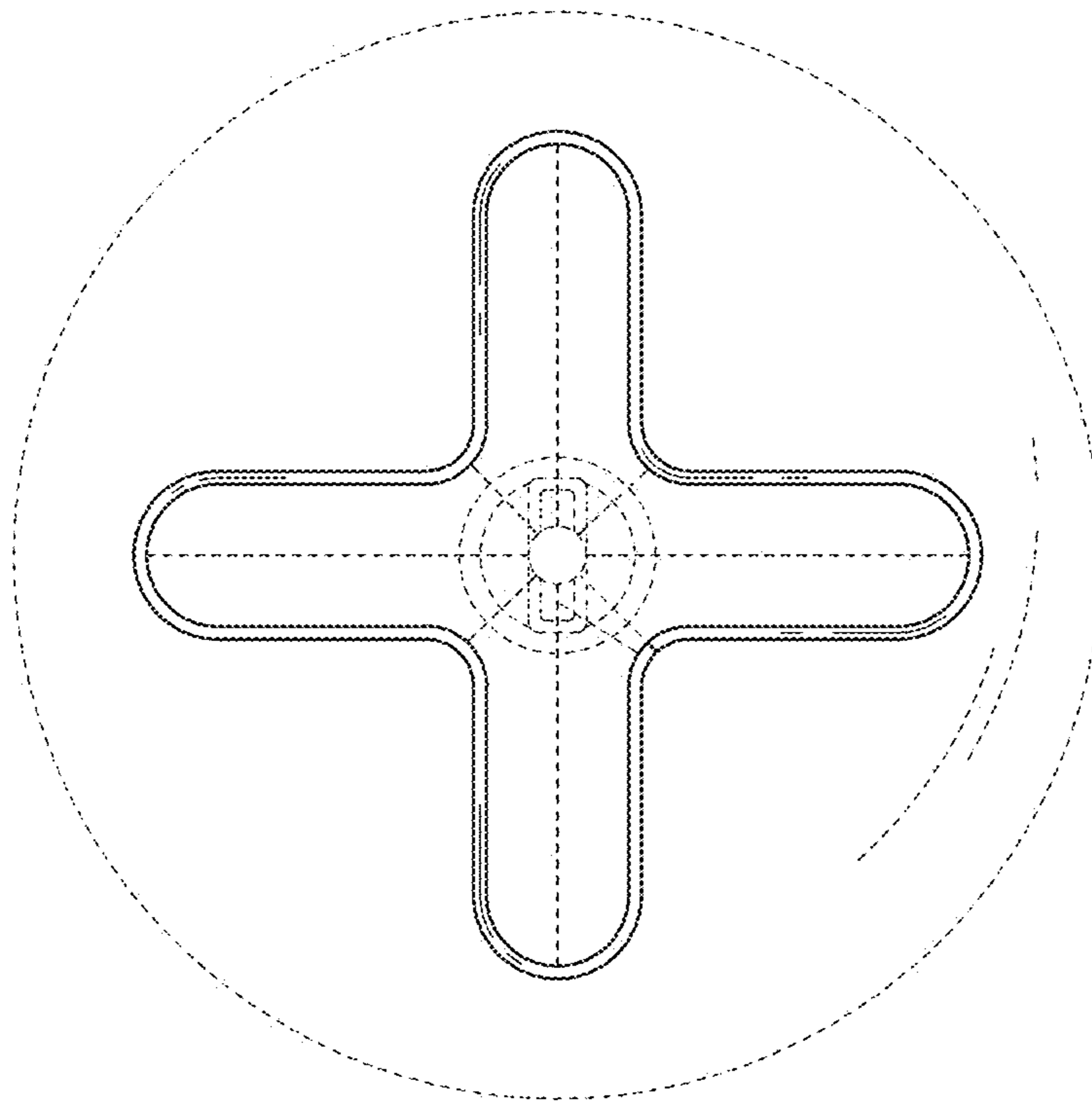


FIG. 41

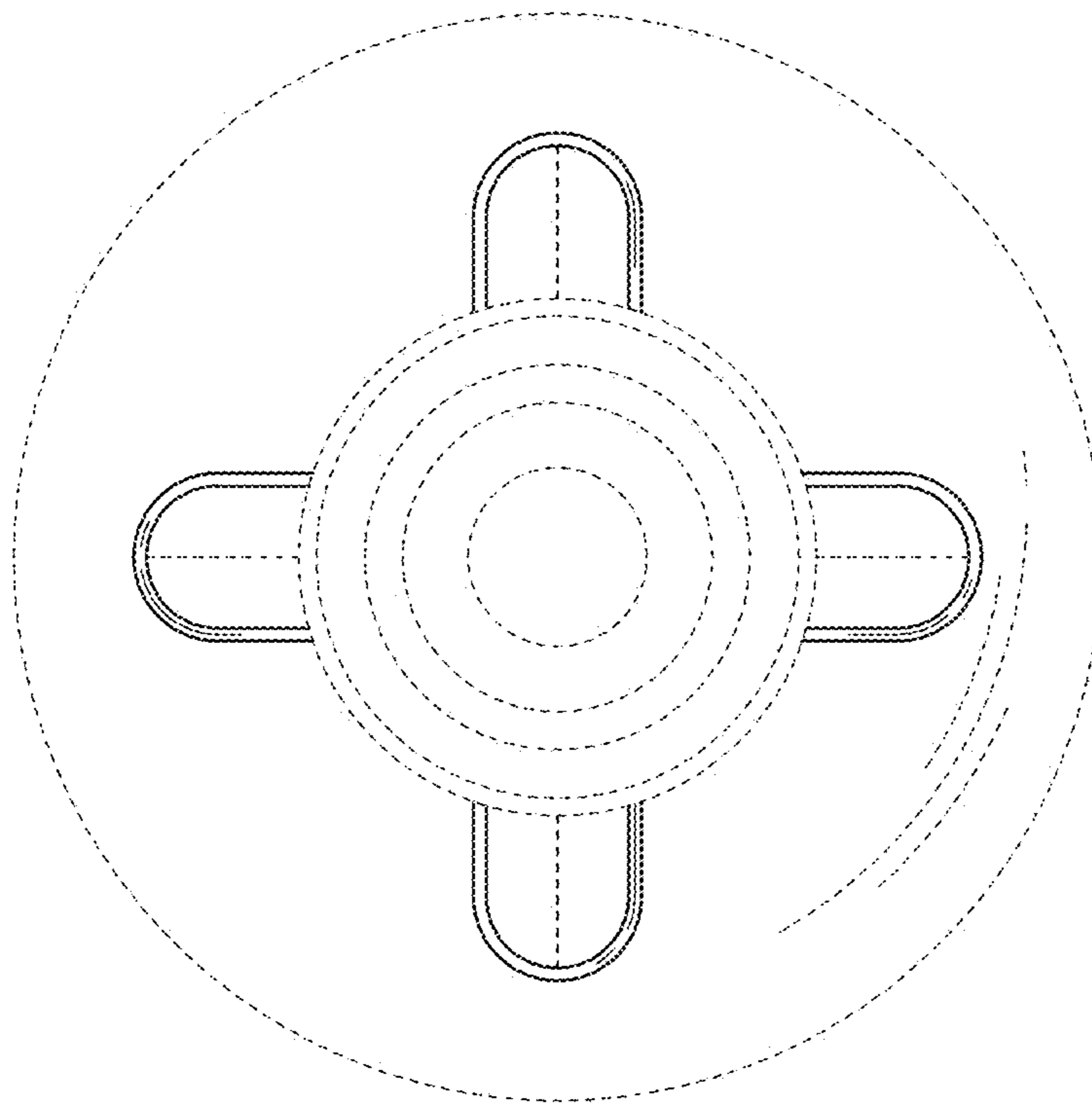


FIG. 42

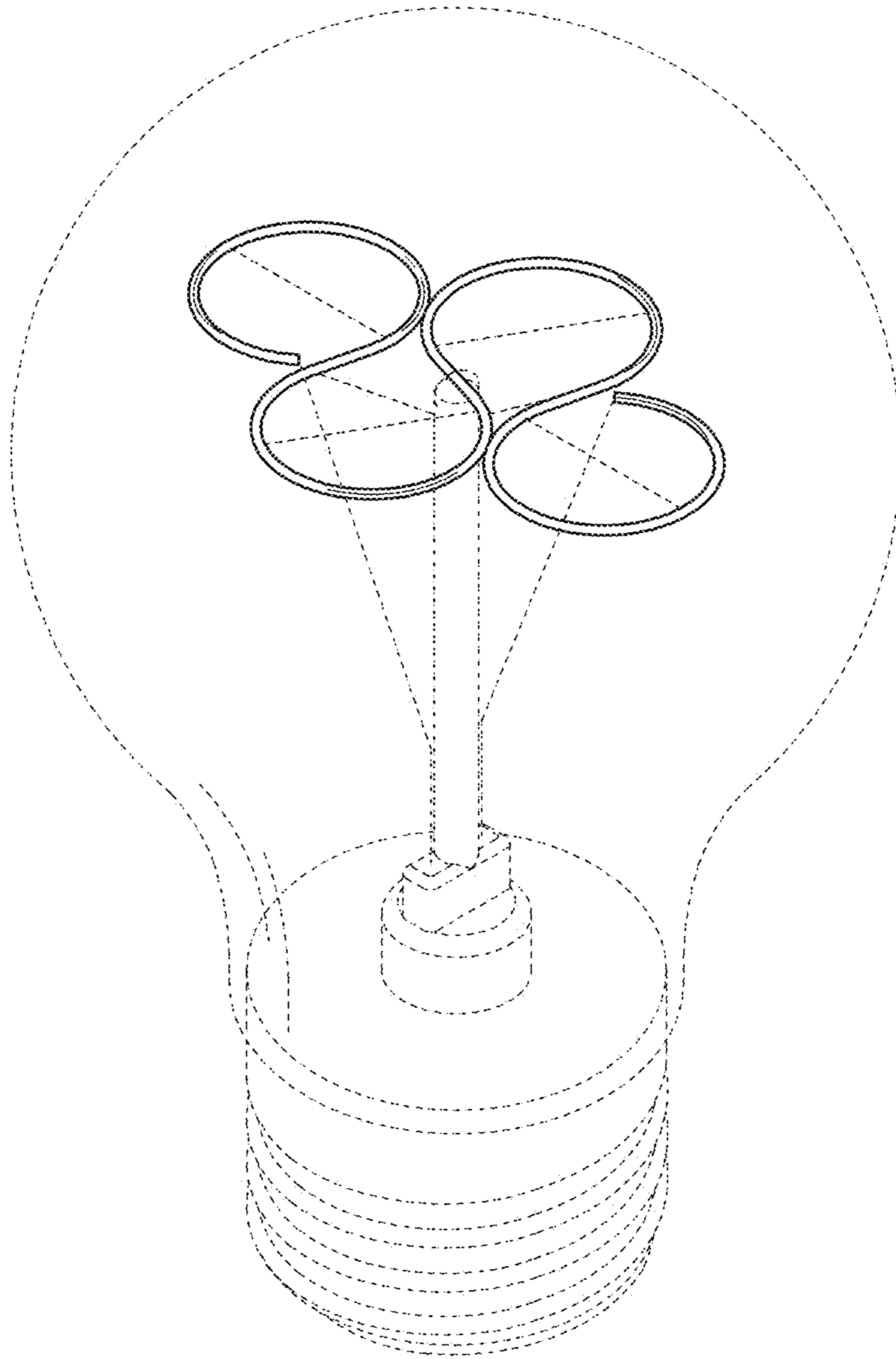


FIG. 43

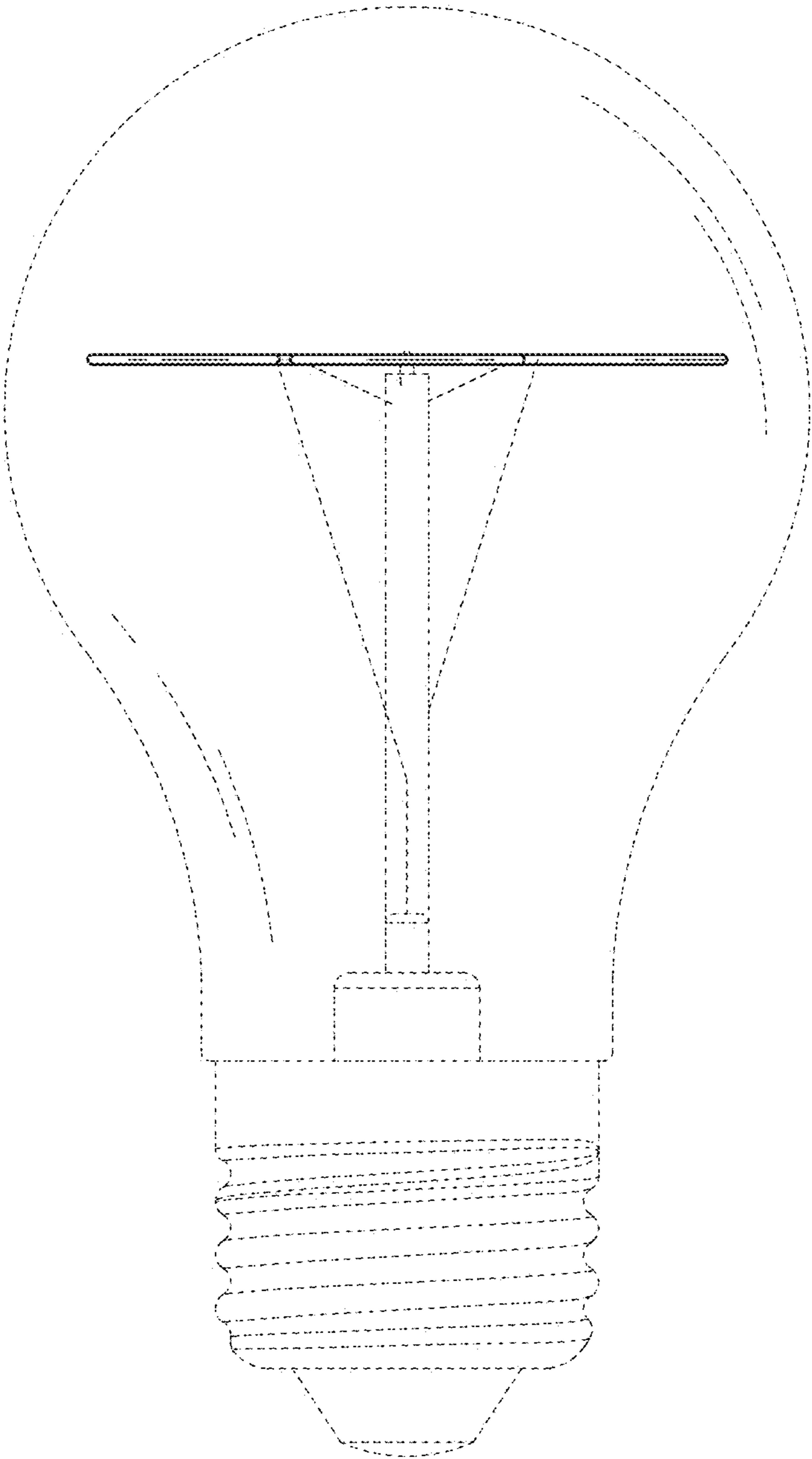


FIG. 44

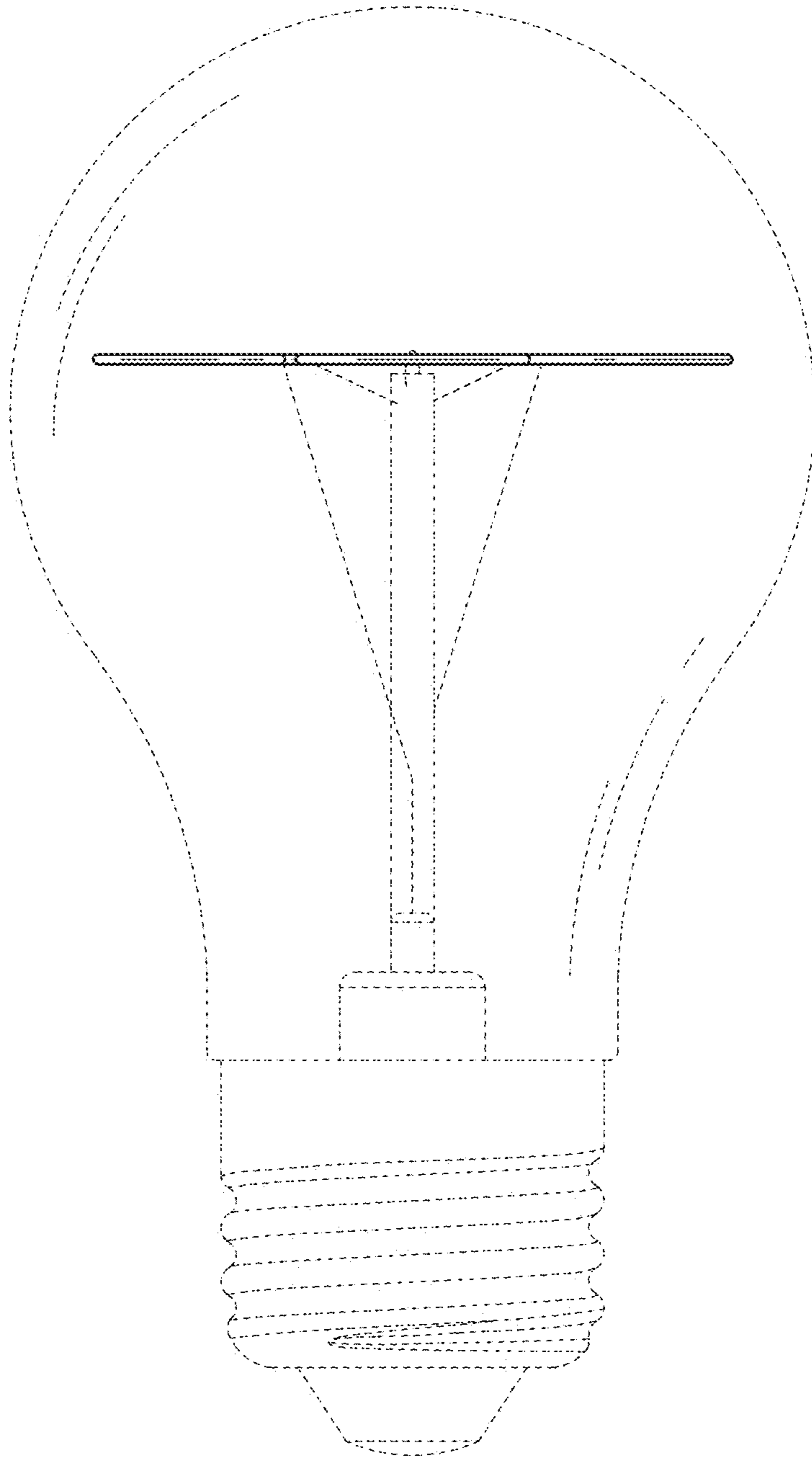


FIG.45

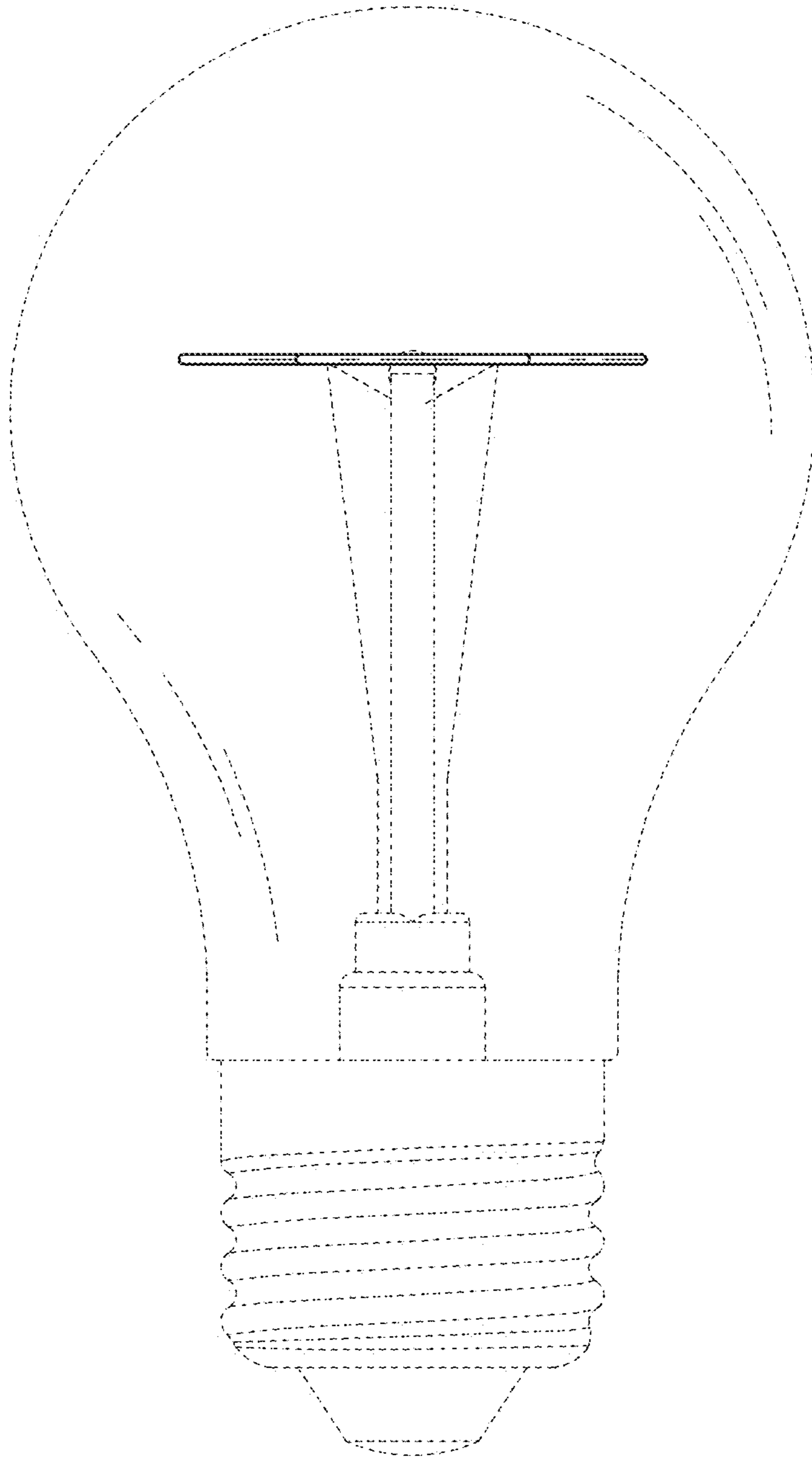


FIG. 46

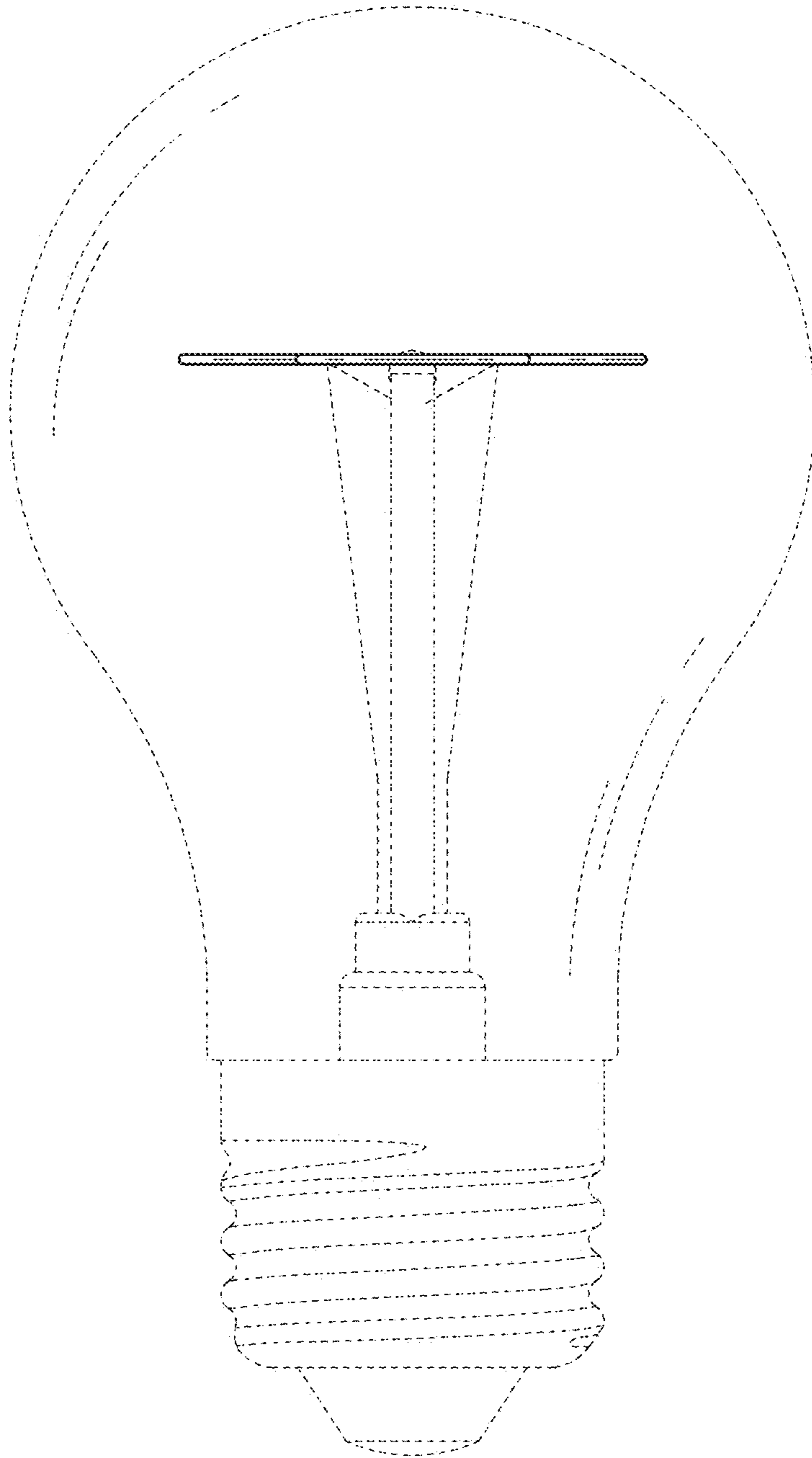


FIG. 47

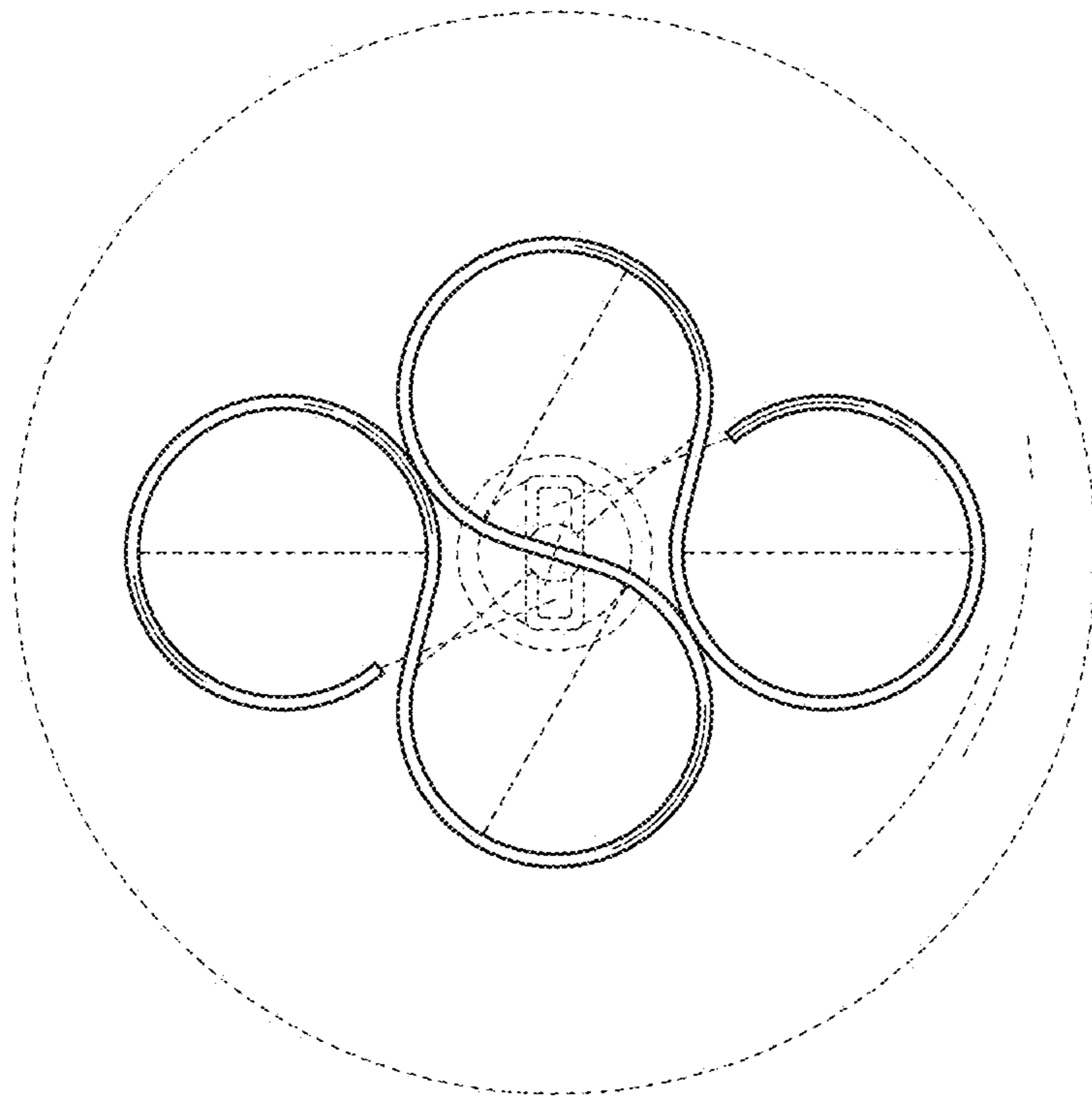


FIG. 48

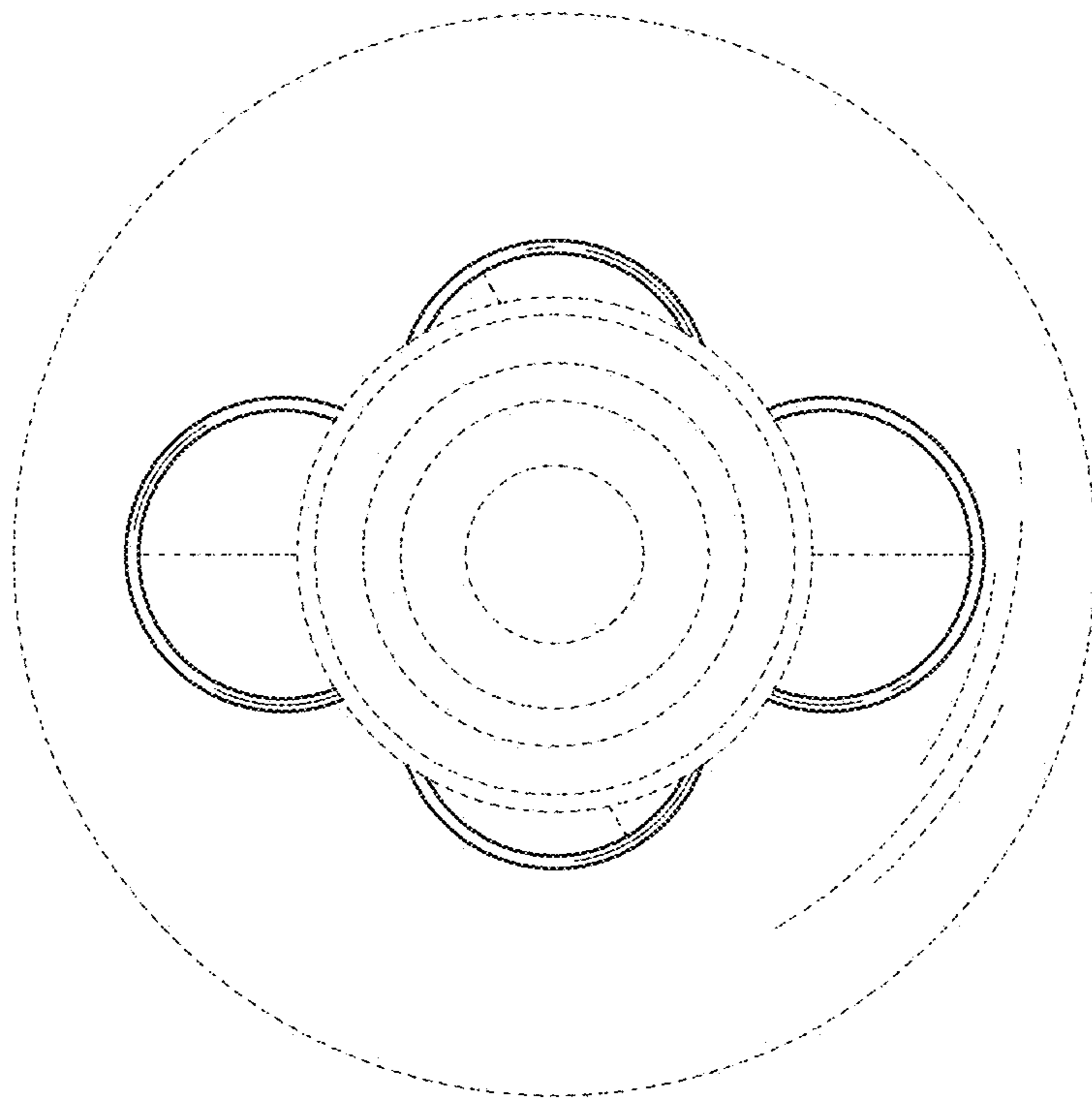


FIG. 49

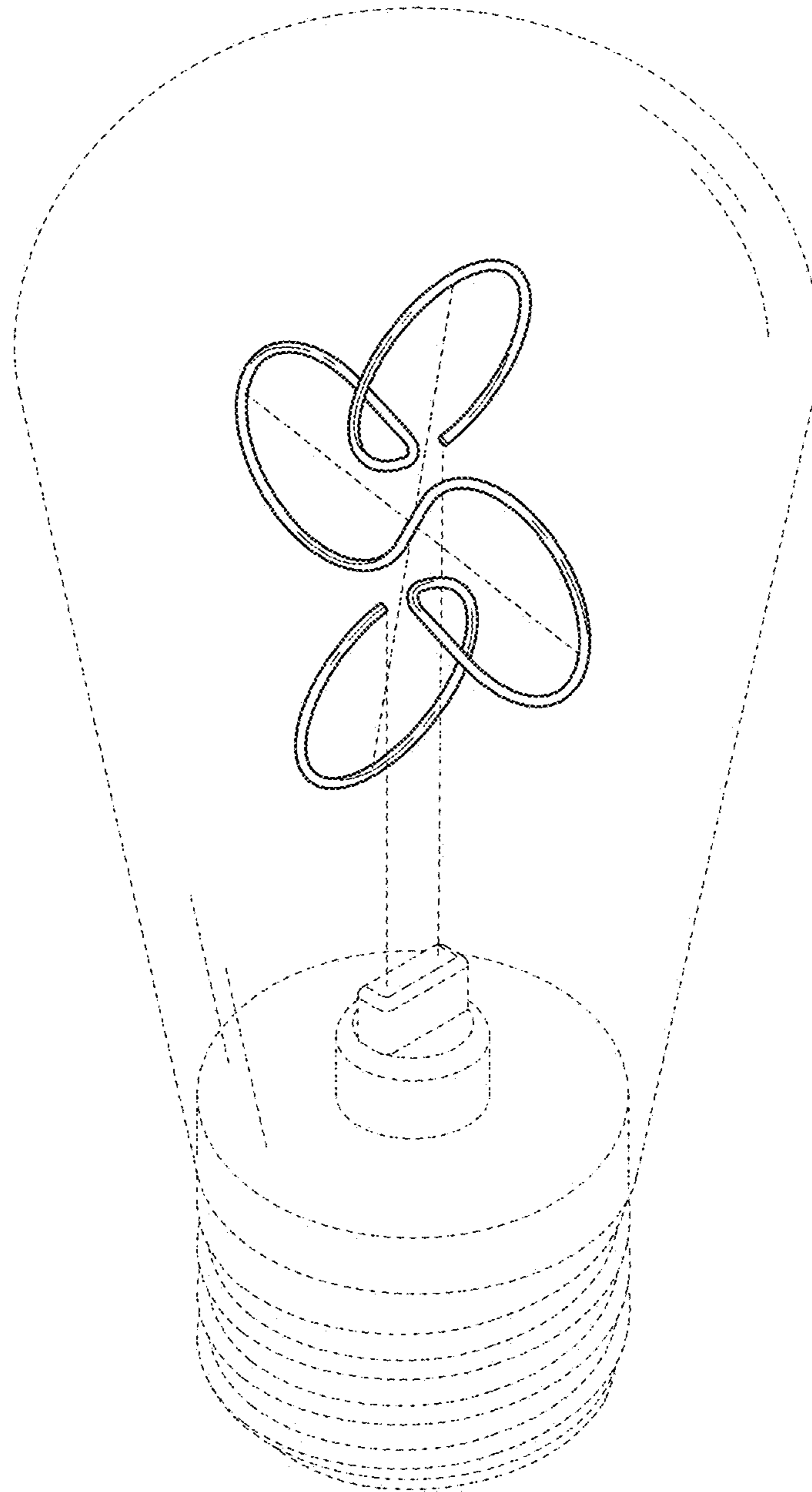


FIG. 50

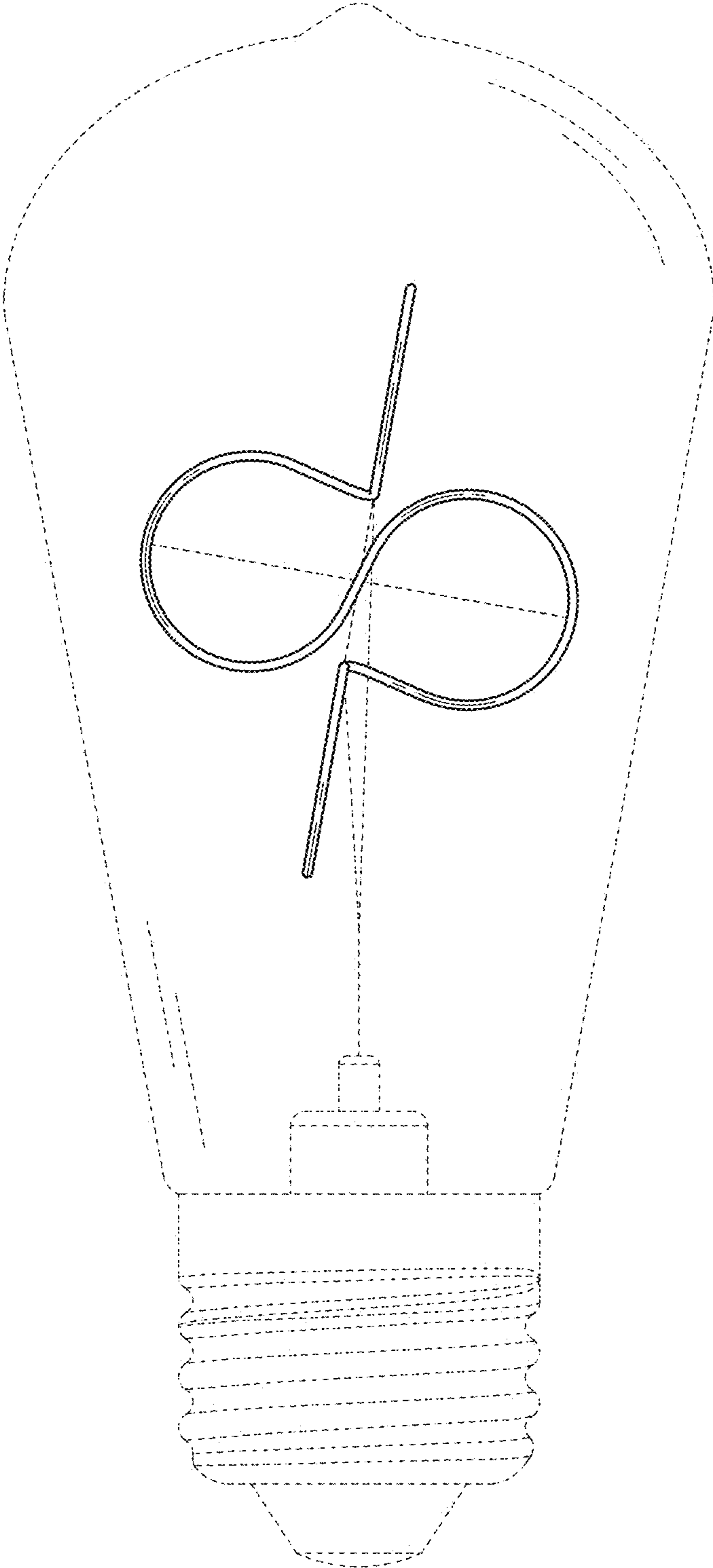


FIG.51

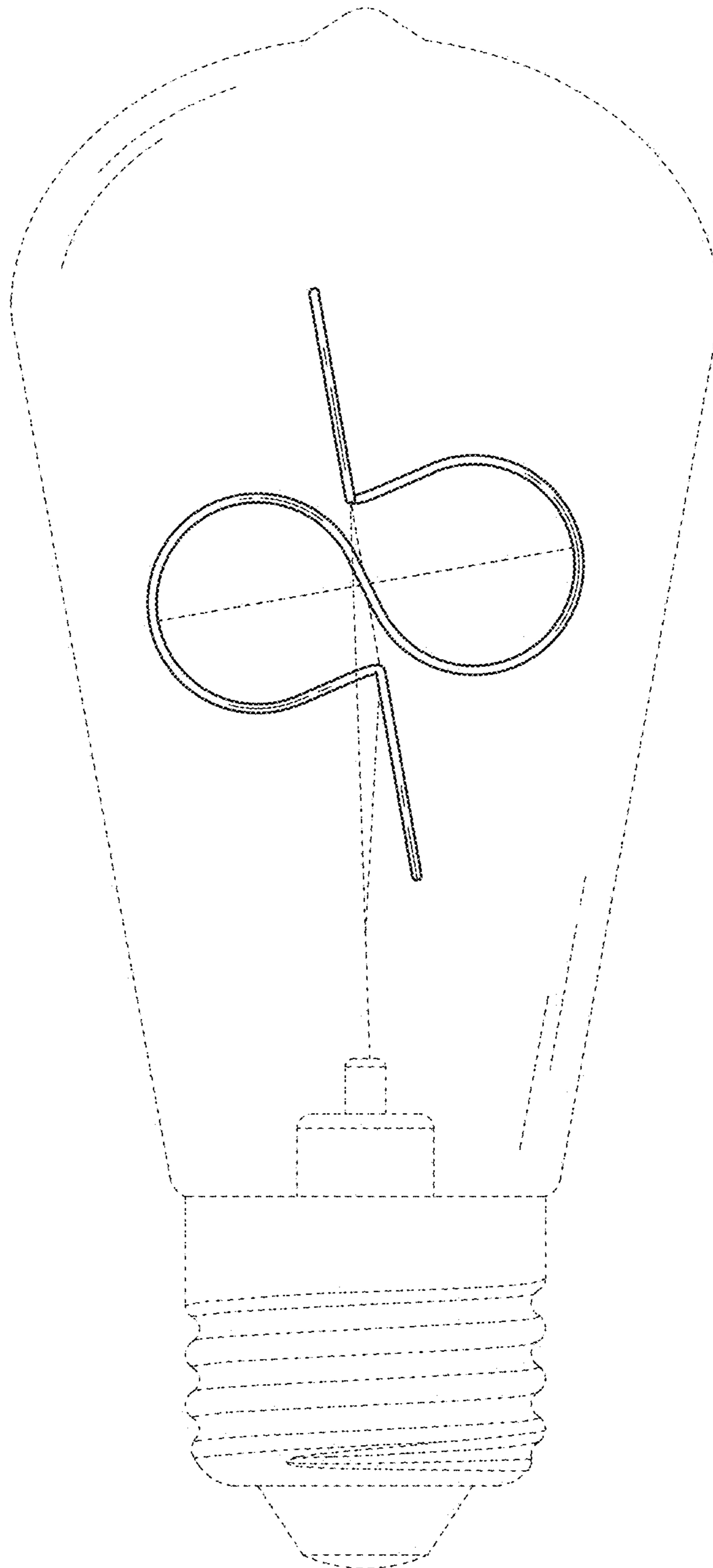


FIG.52

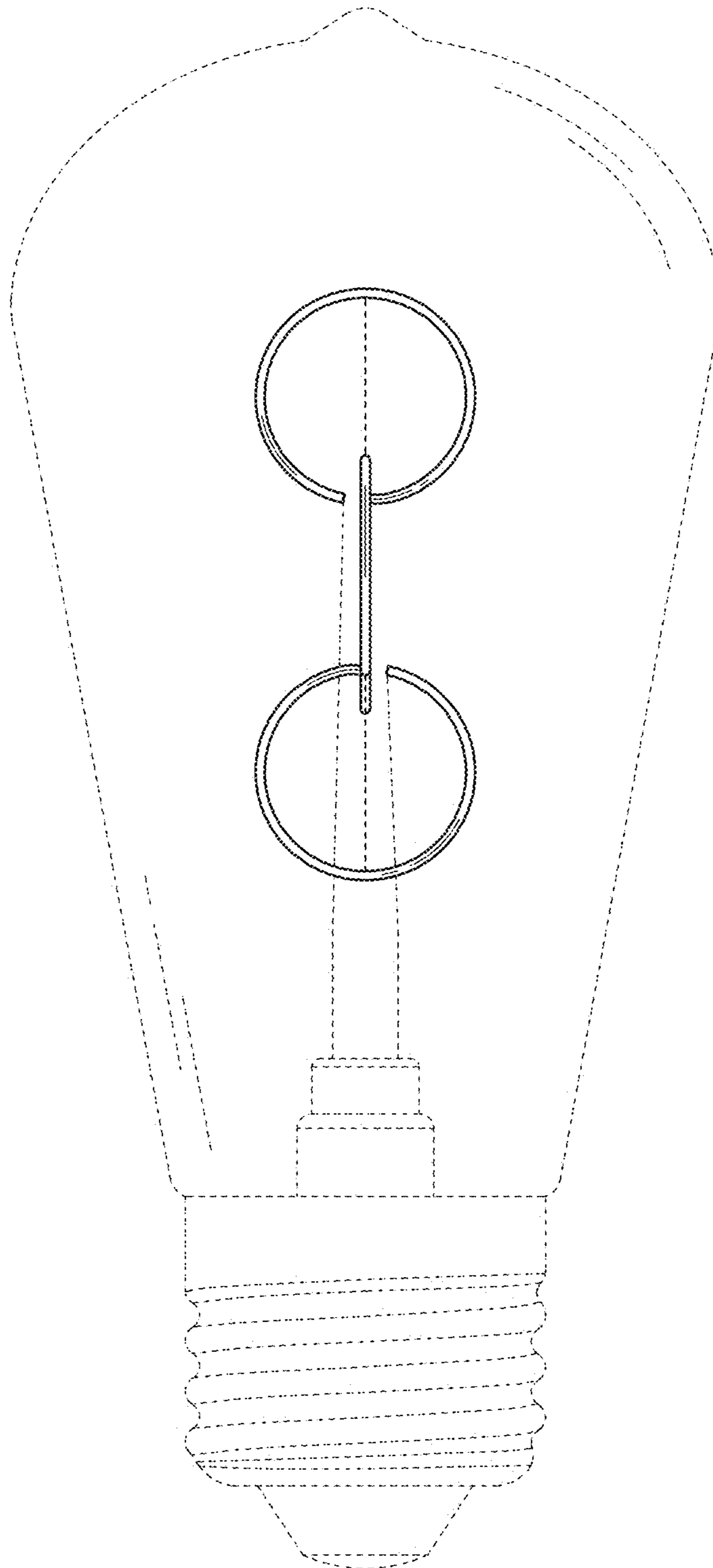


FIG.53

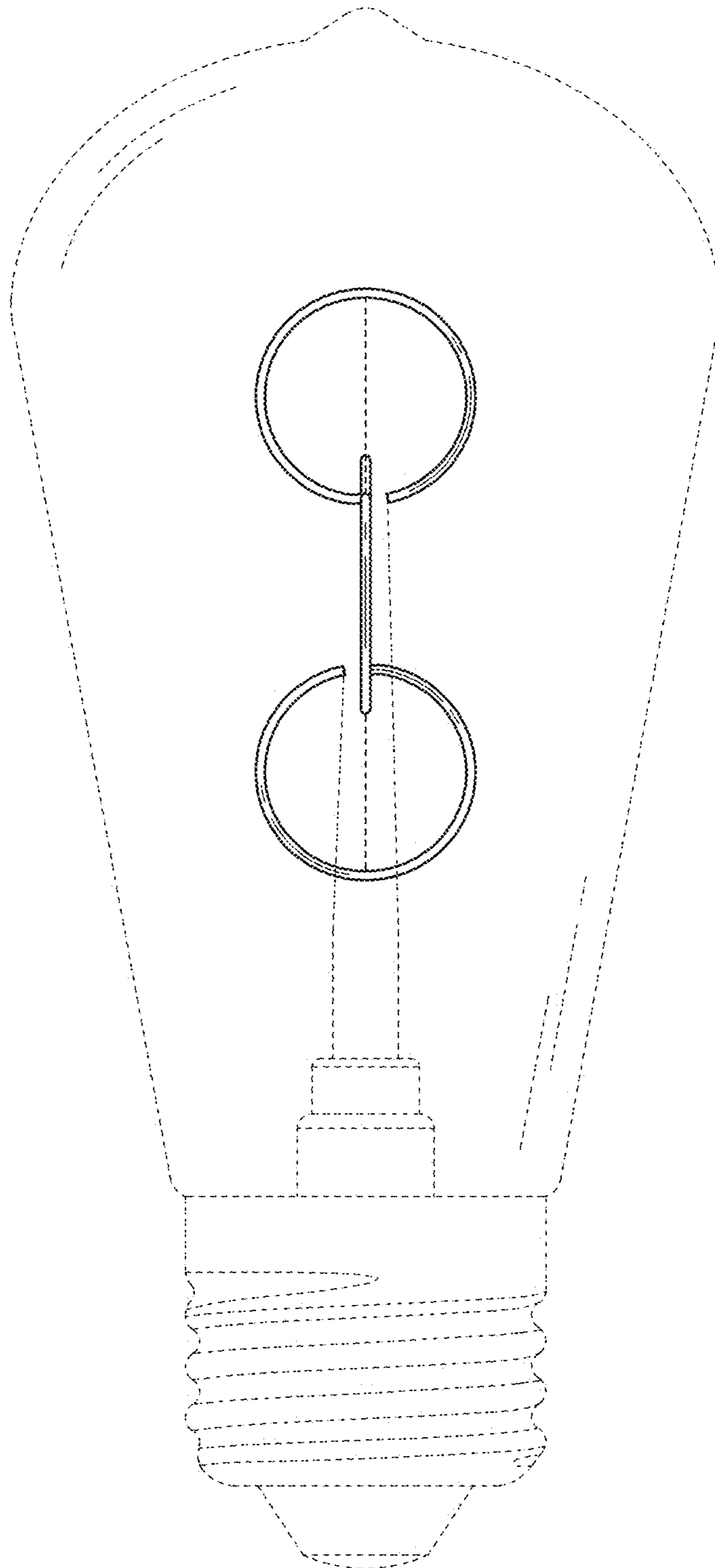


FIG. 54

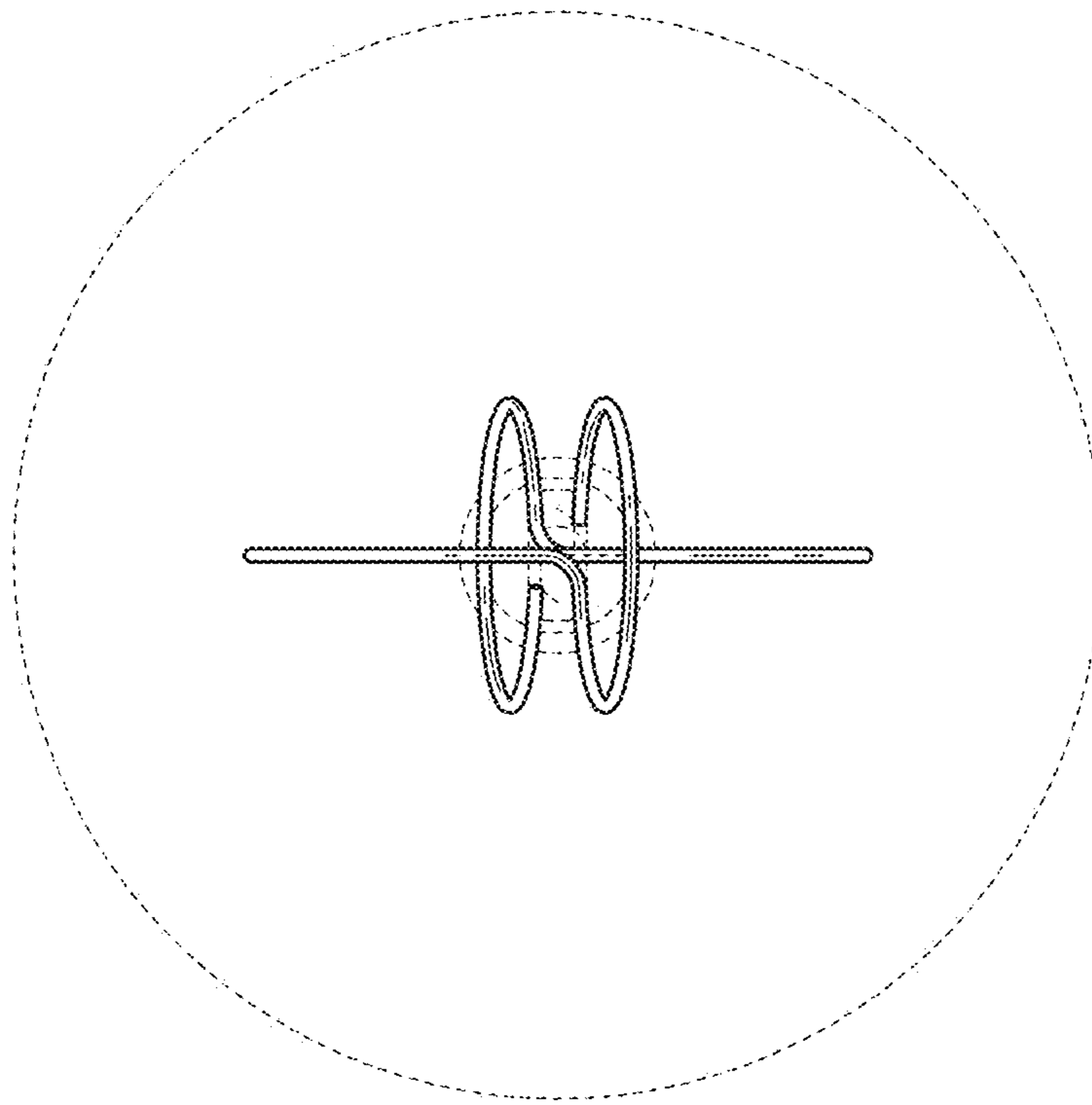


FIG. 55

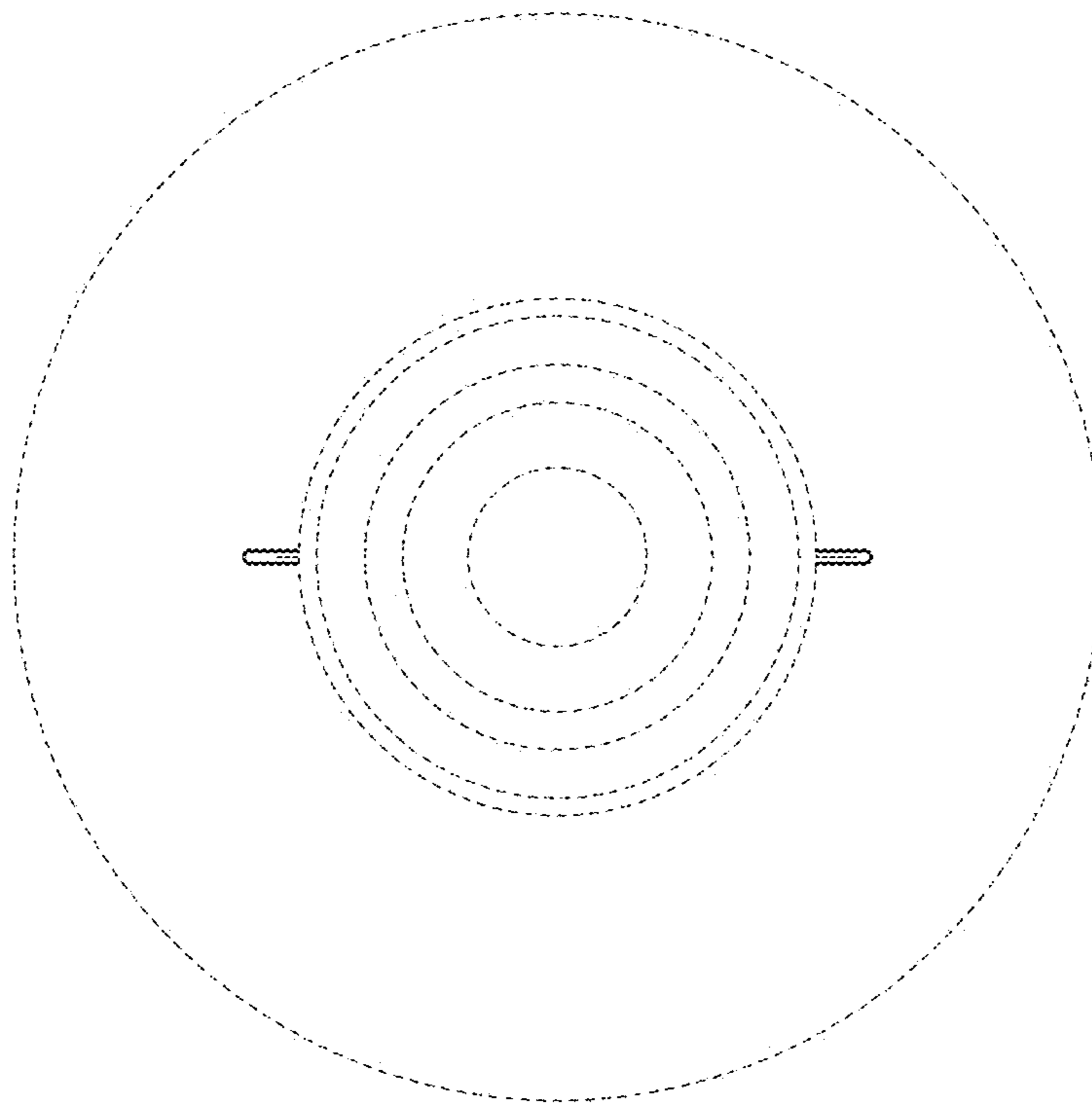


FIG. 56

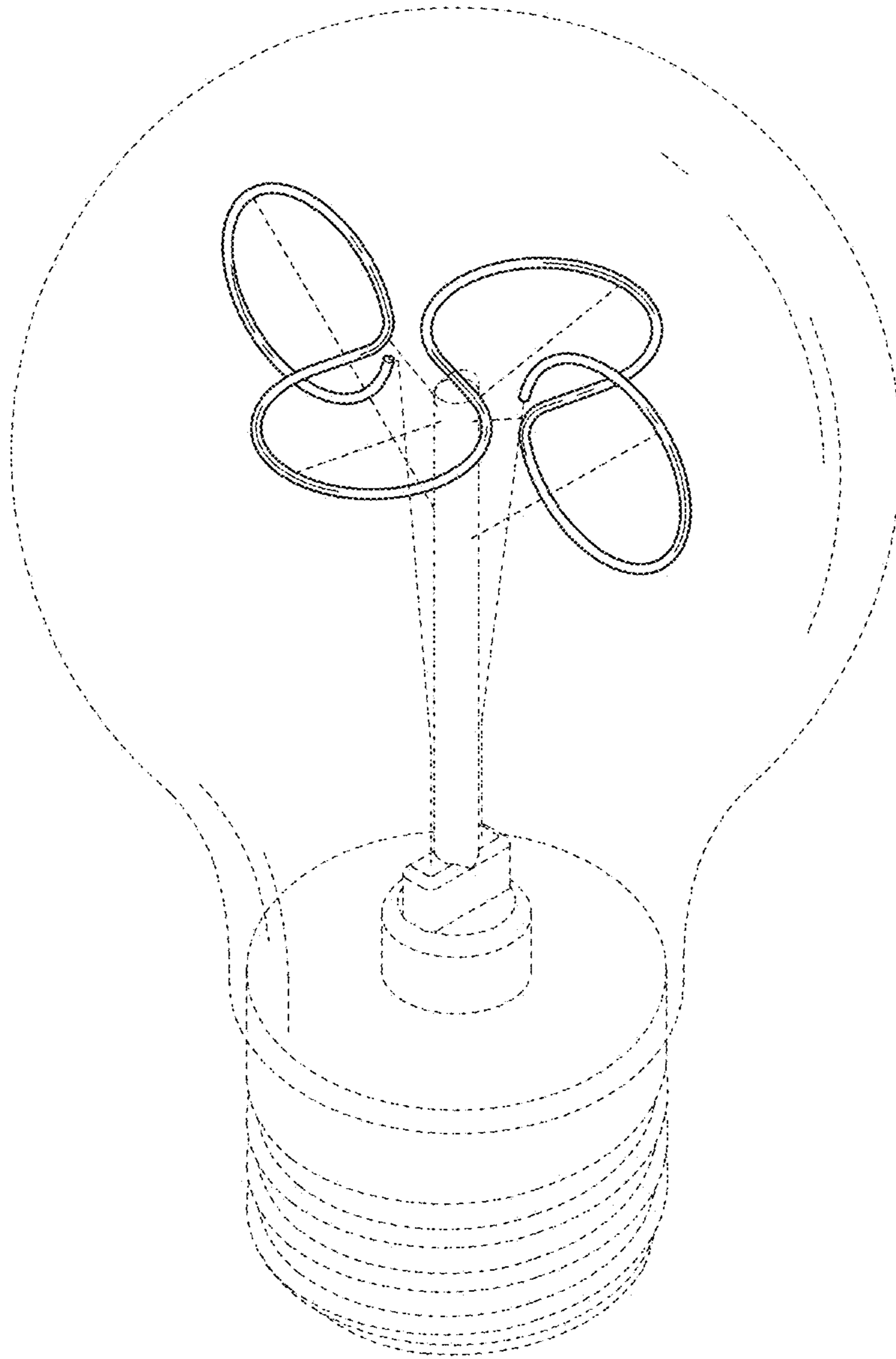


FIG. 57

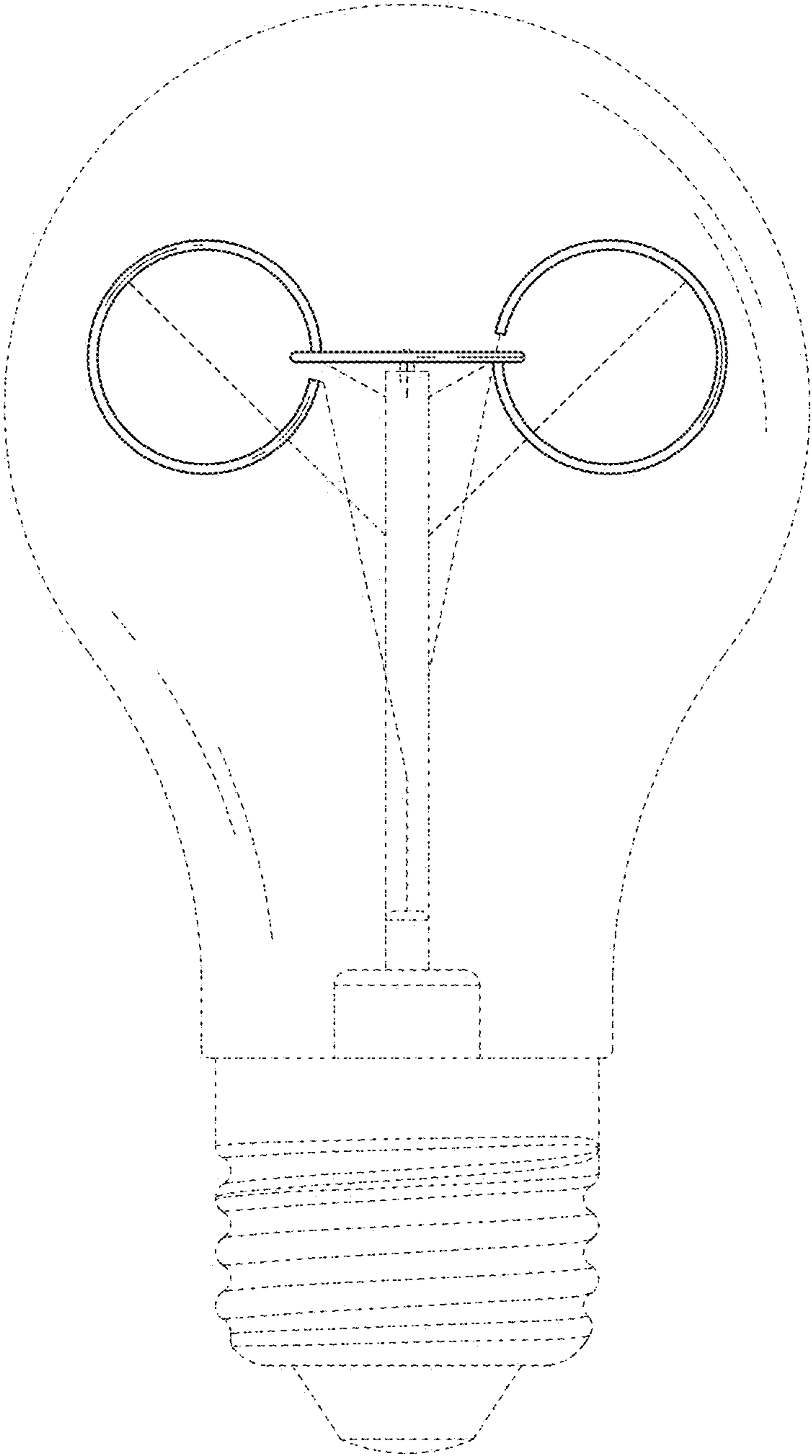


FIG.58

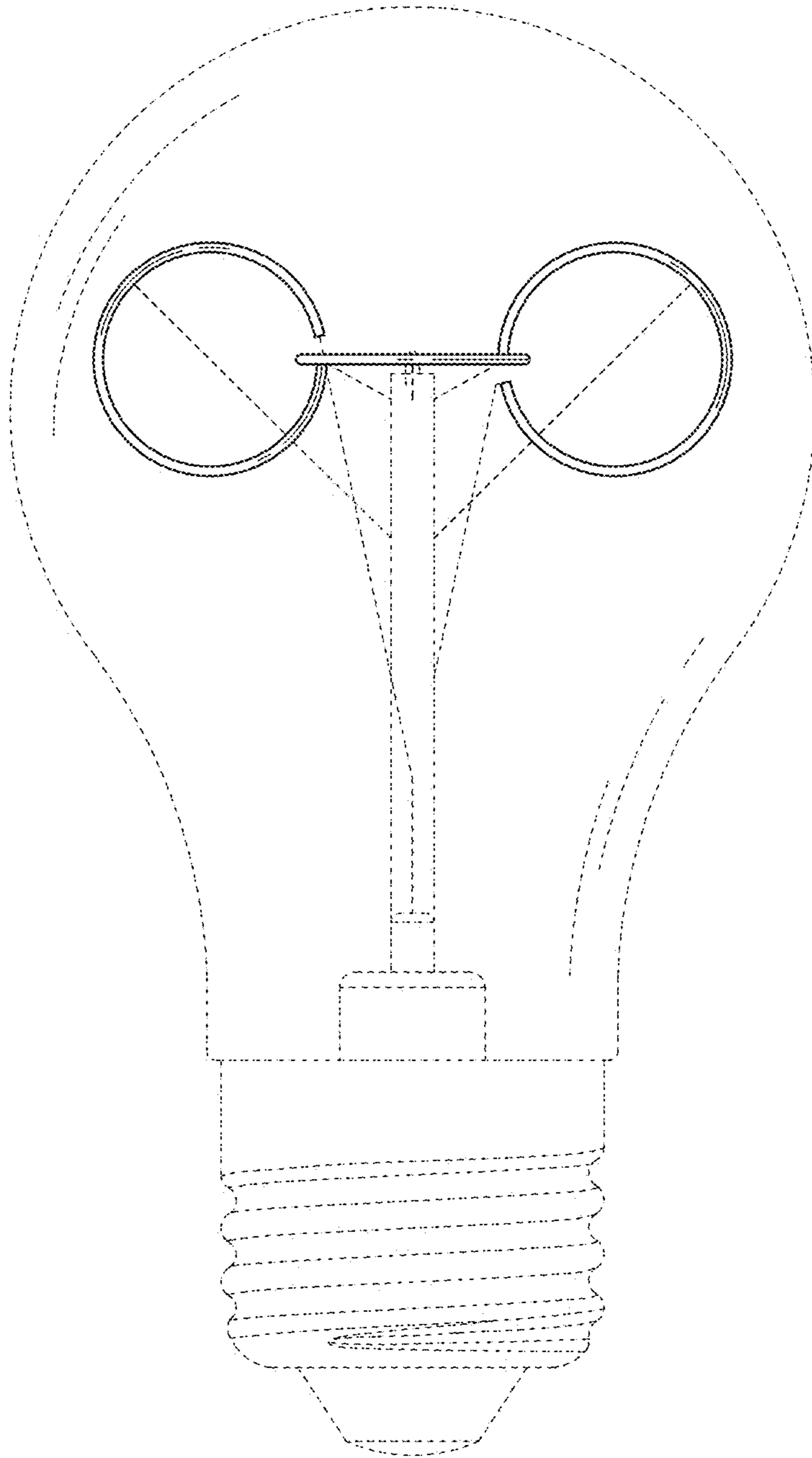


FIG.59

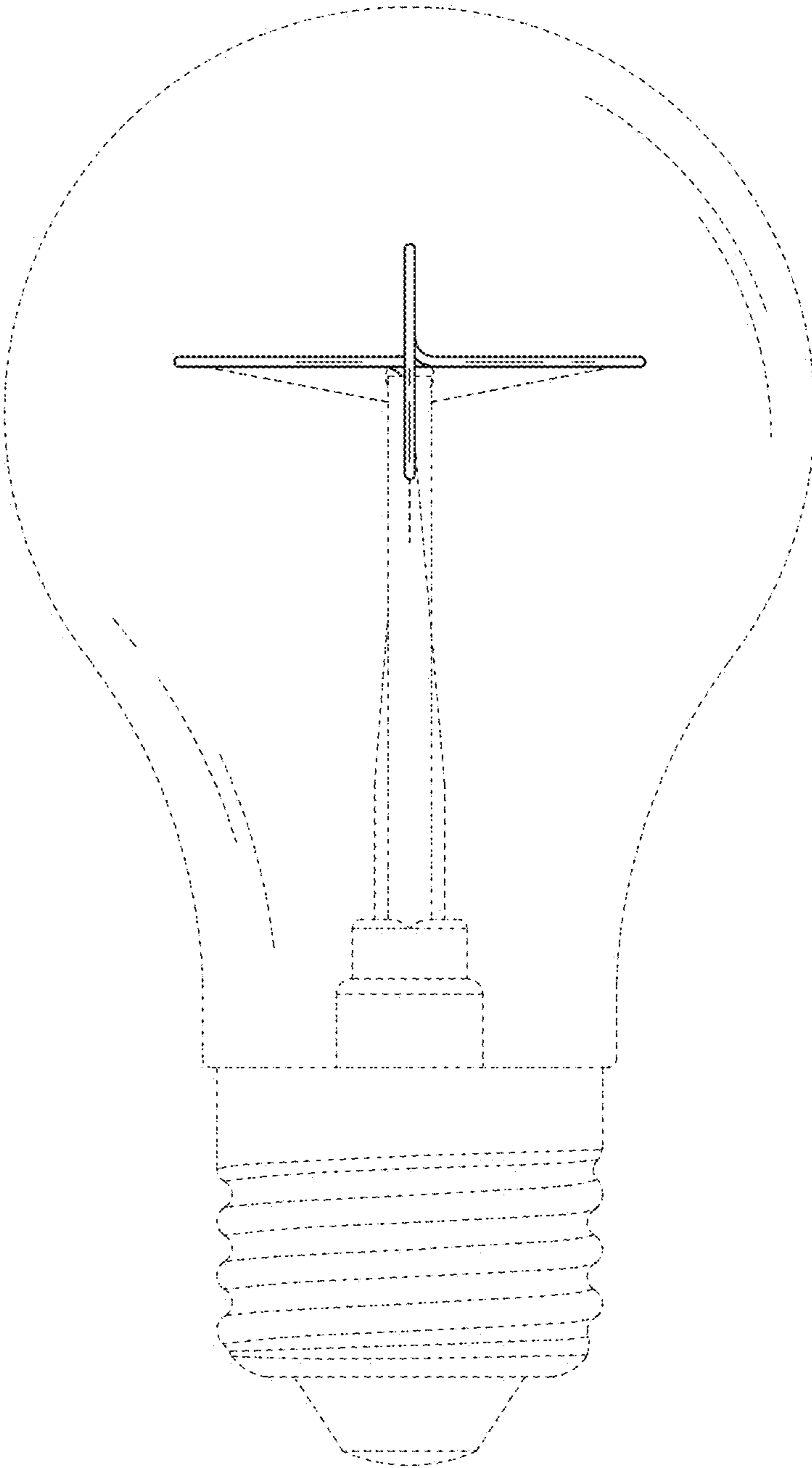


FIG.60

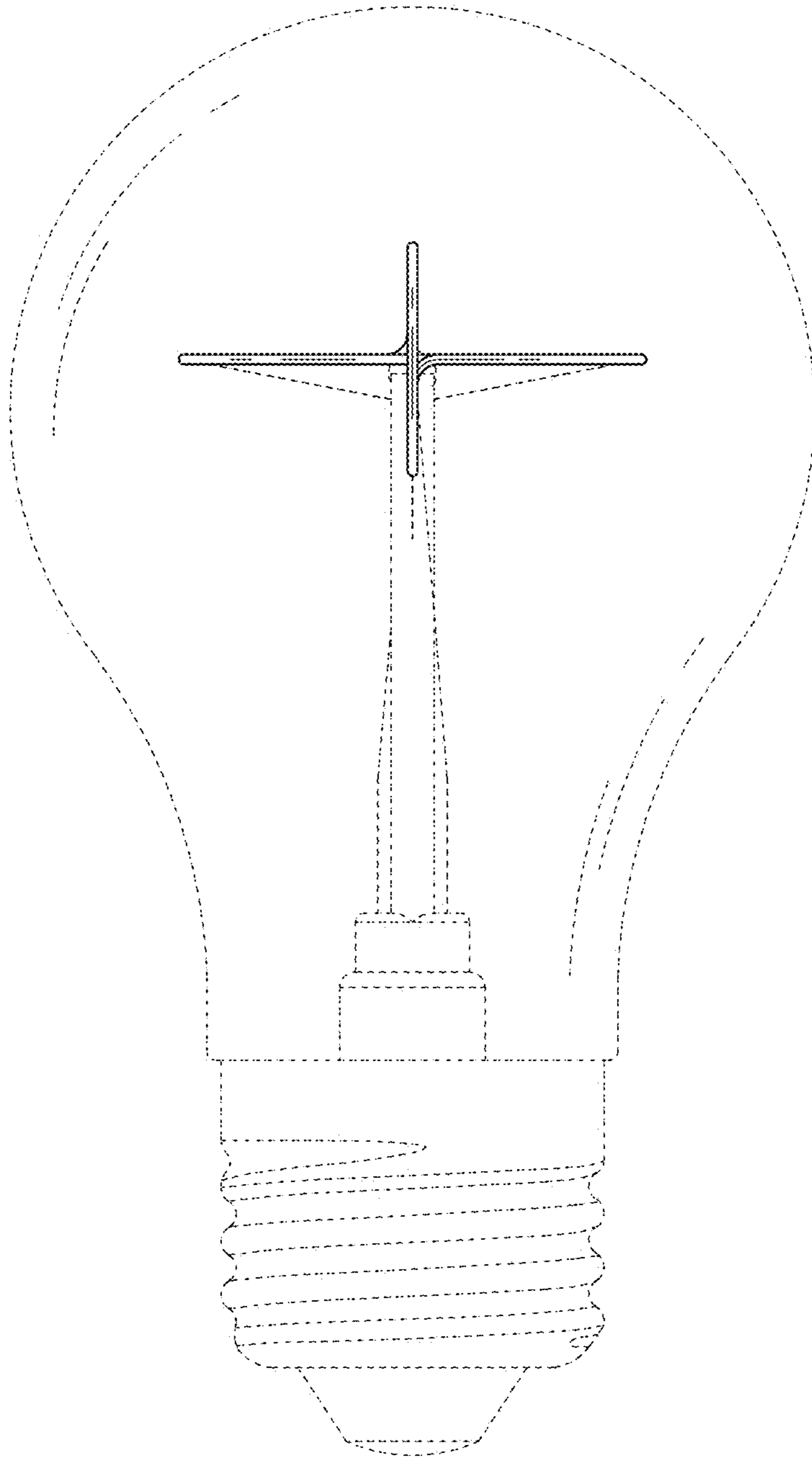


FIG. 61

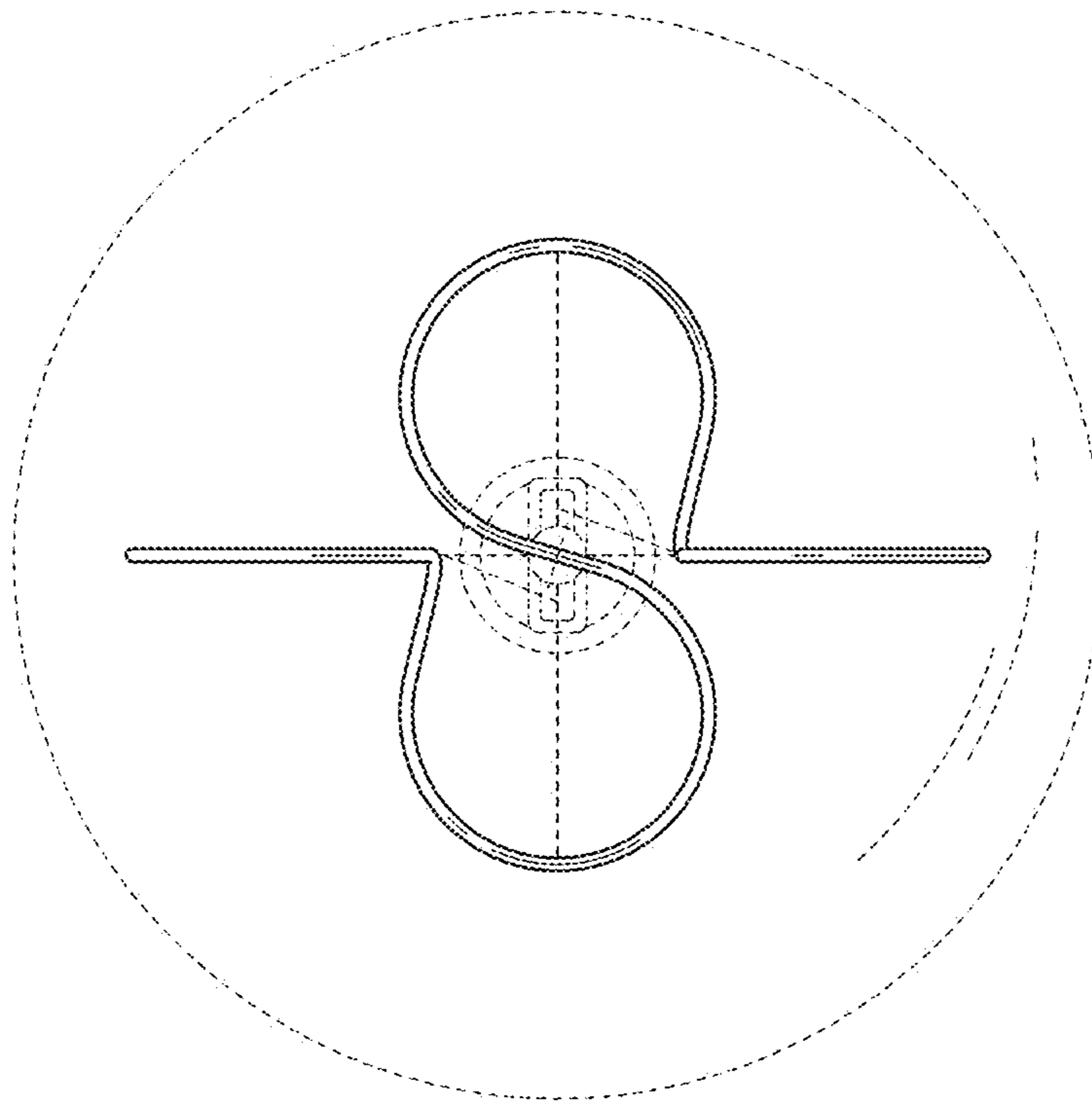


FIG. 62

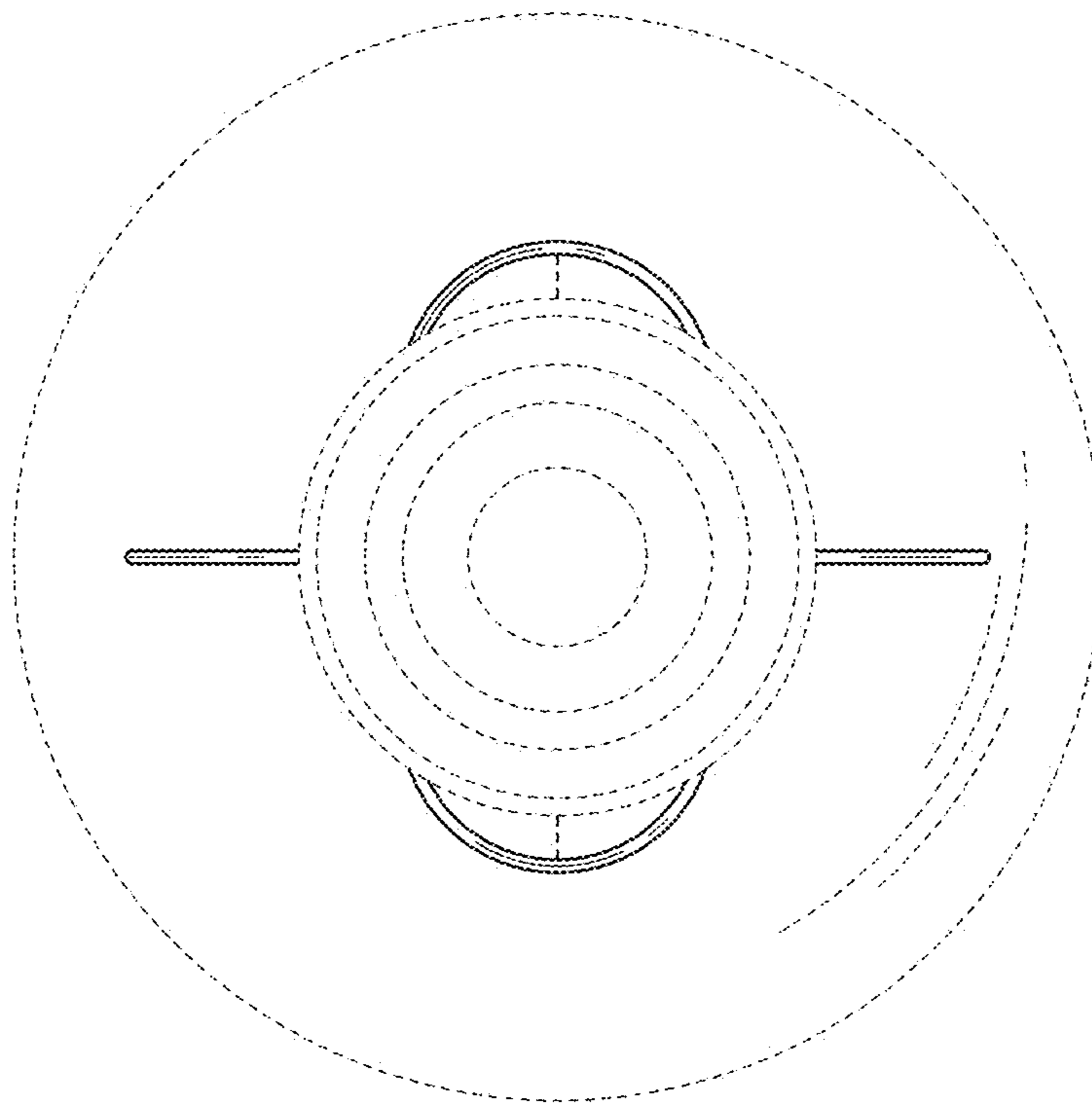


FIG. 63

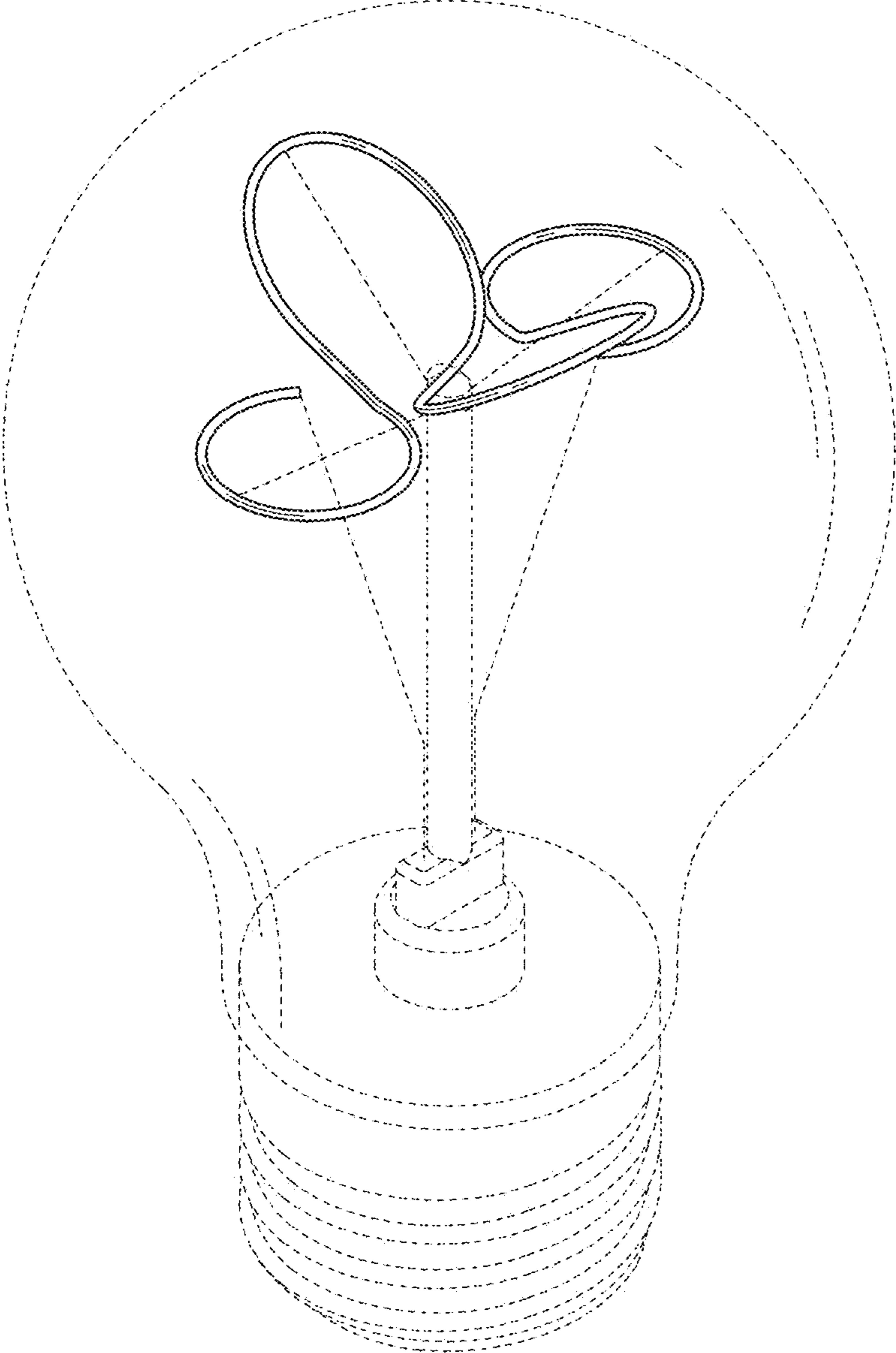


FIG.64

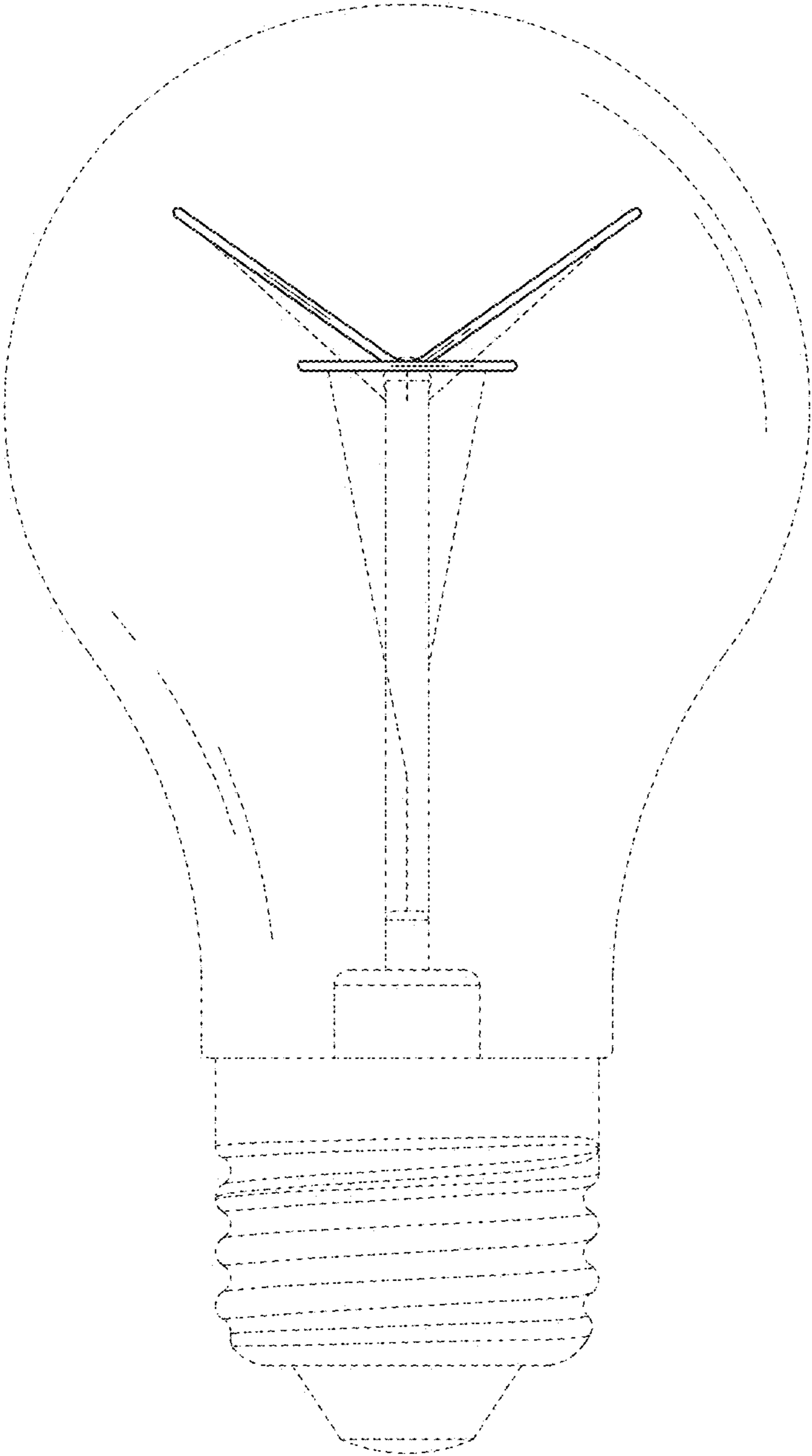


FIG.65

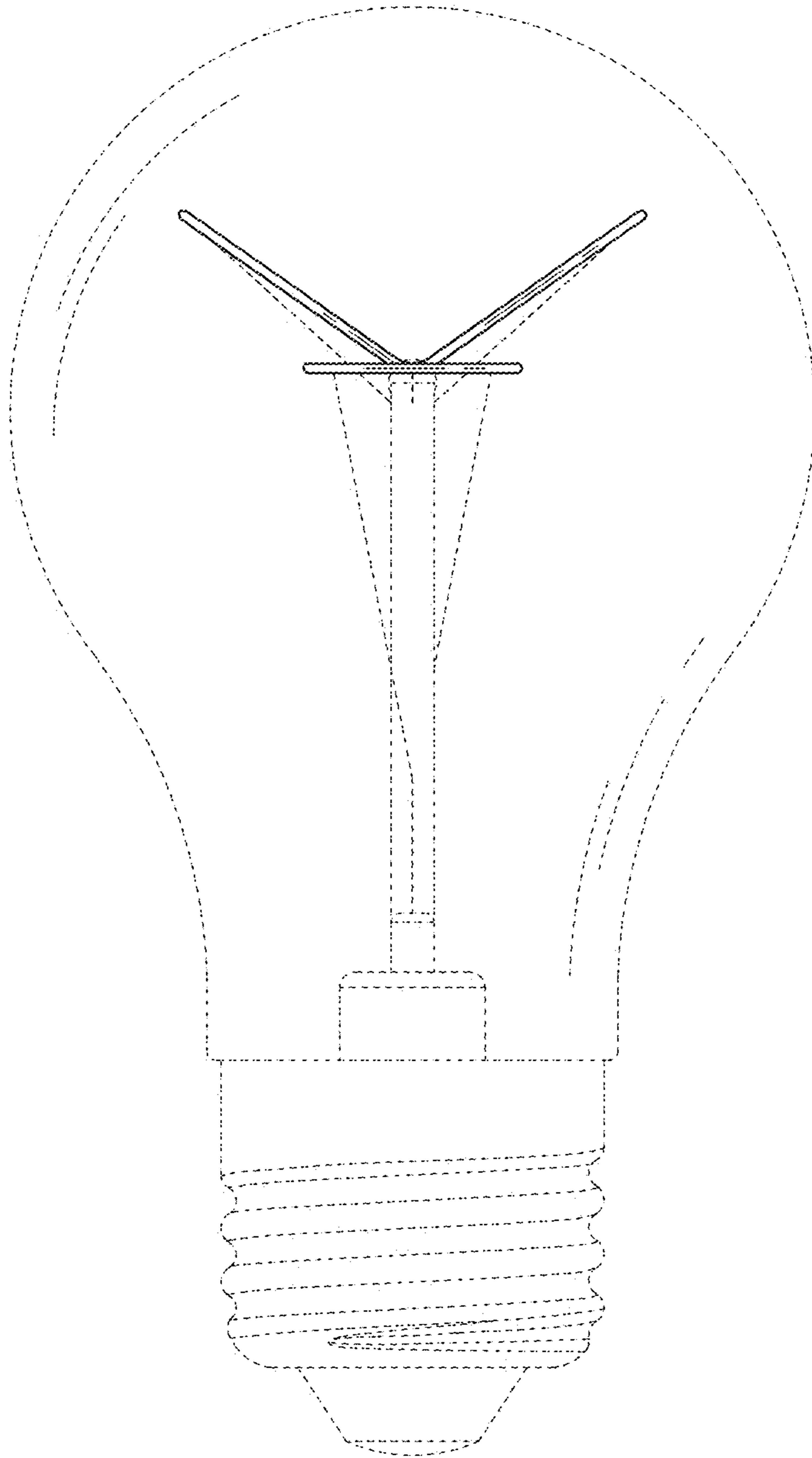


FIG. 66

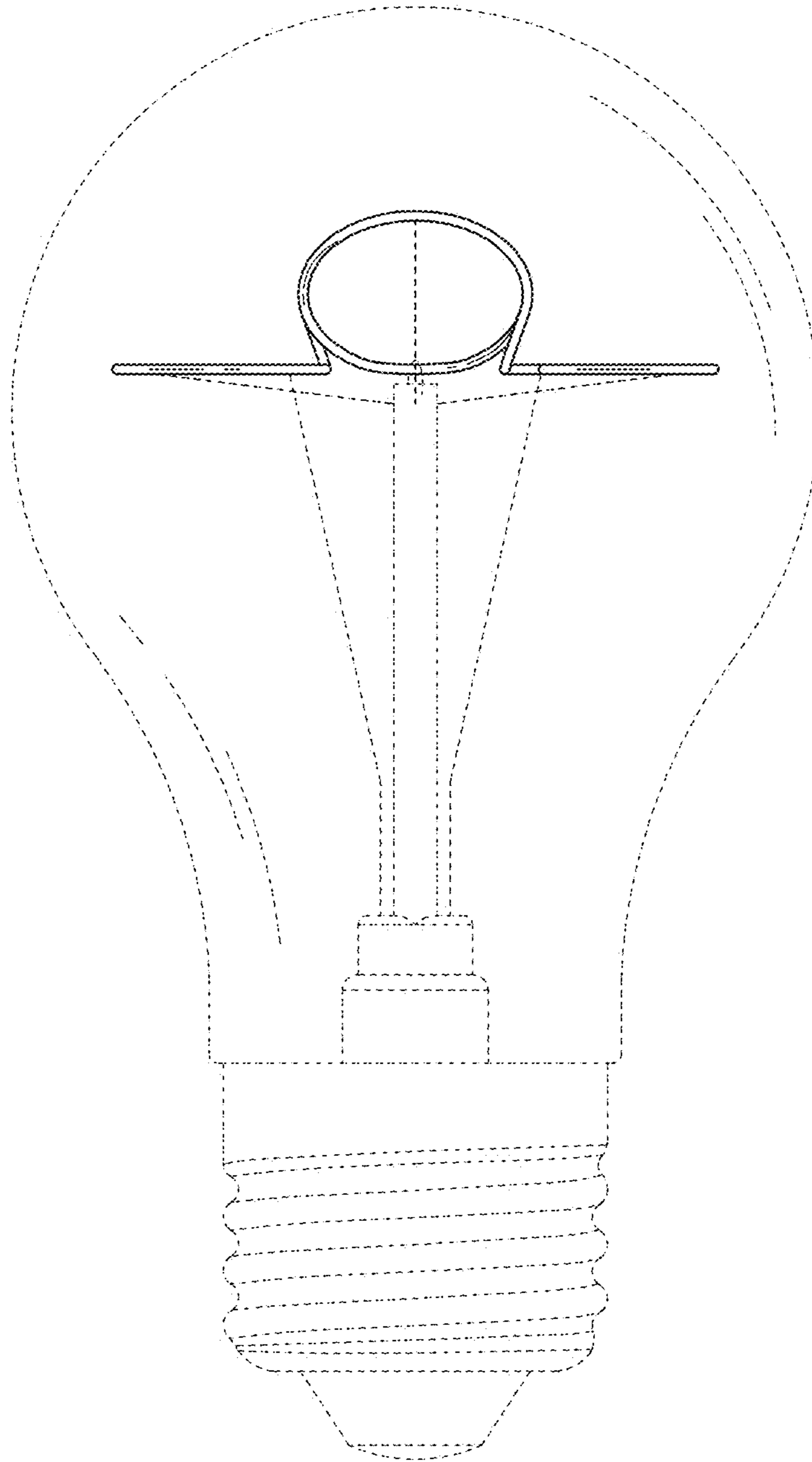


FIG. 67

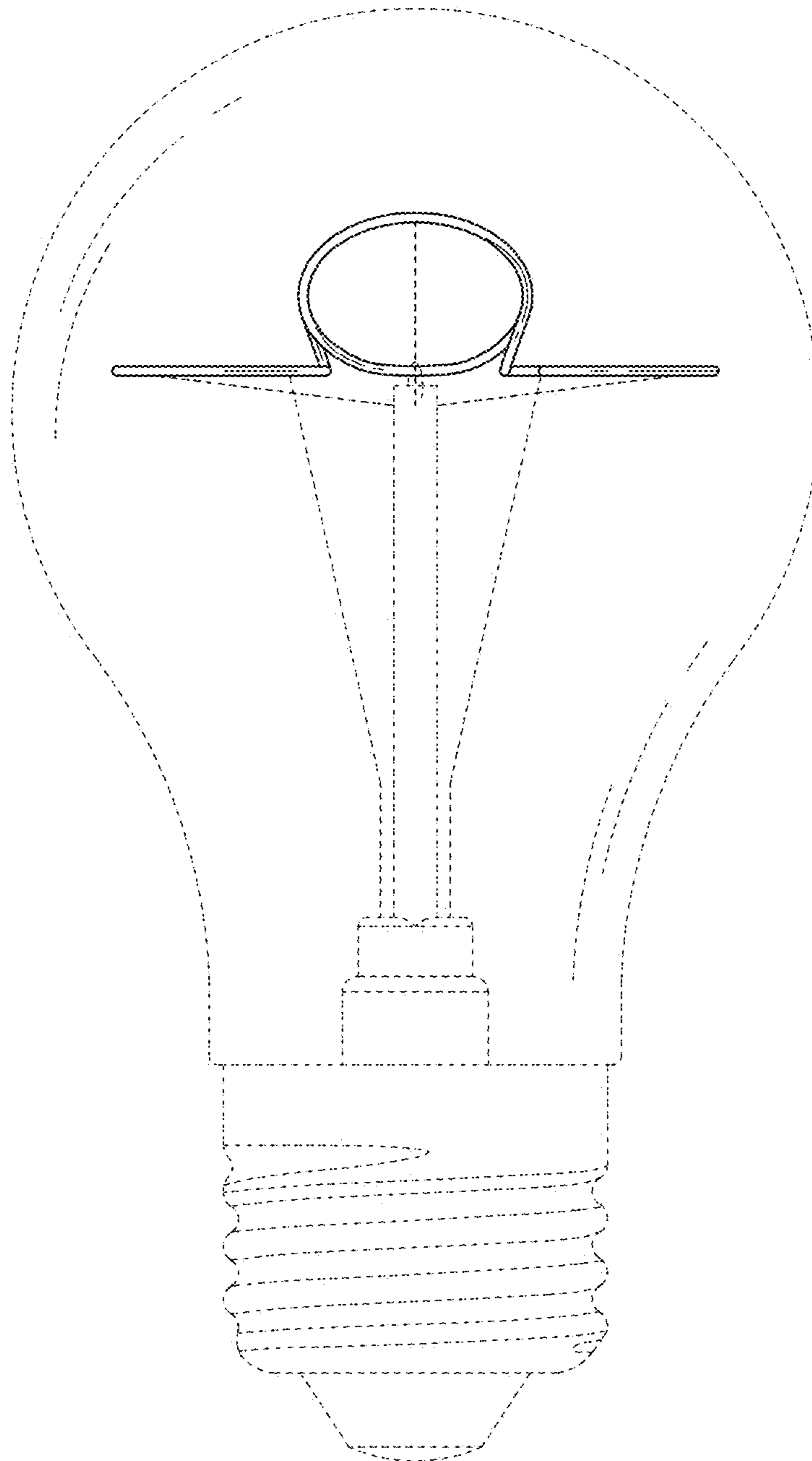


FIG. 68

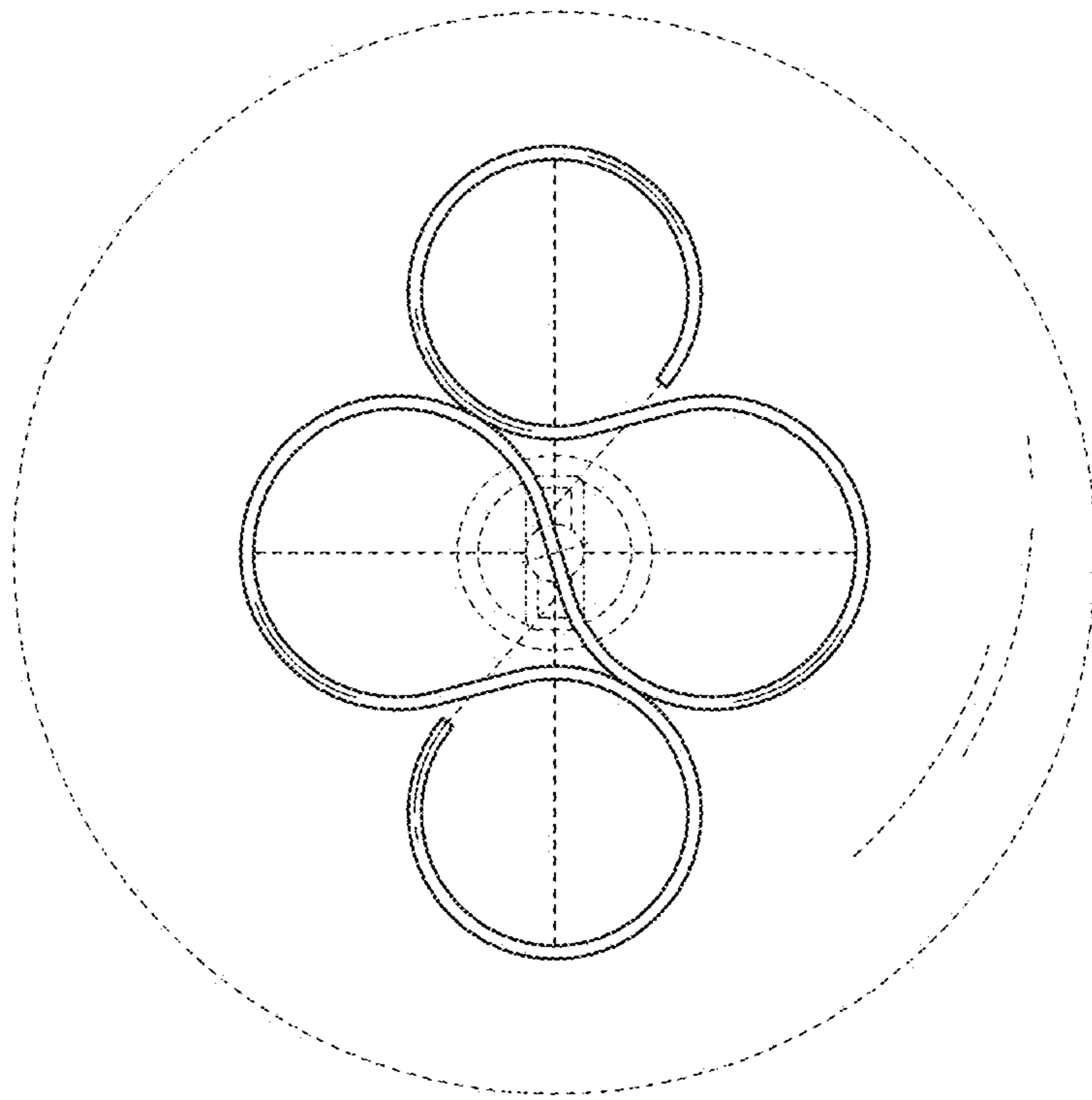


FIG. 69

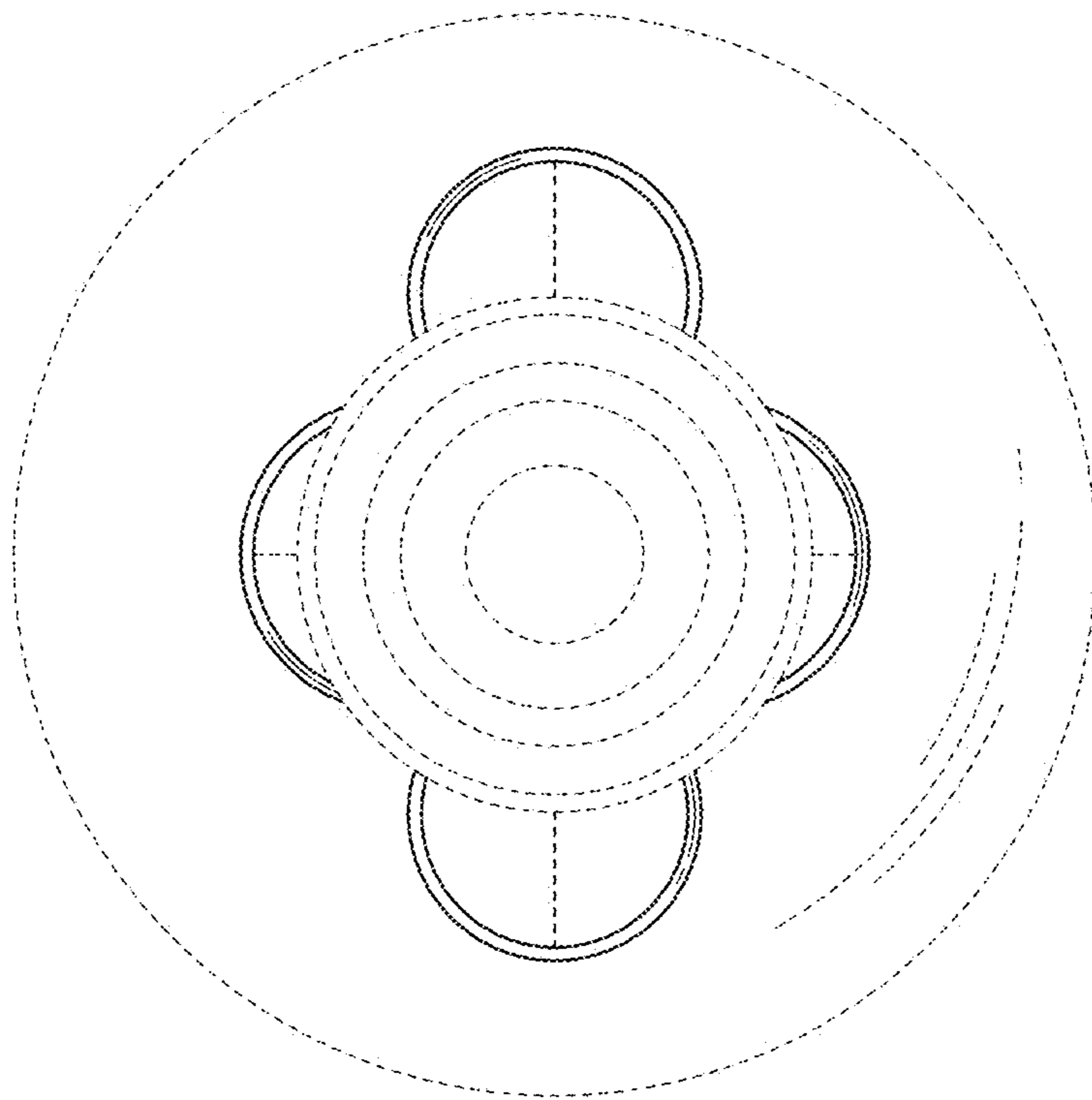


FIG. 70

6246-40051
61/108

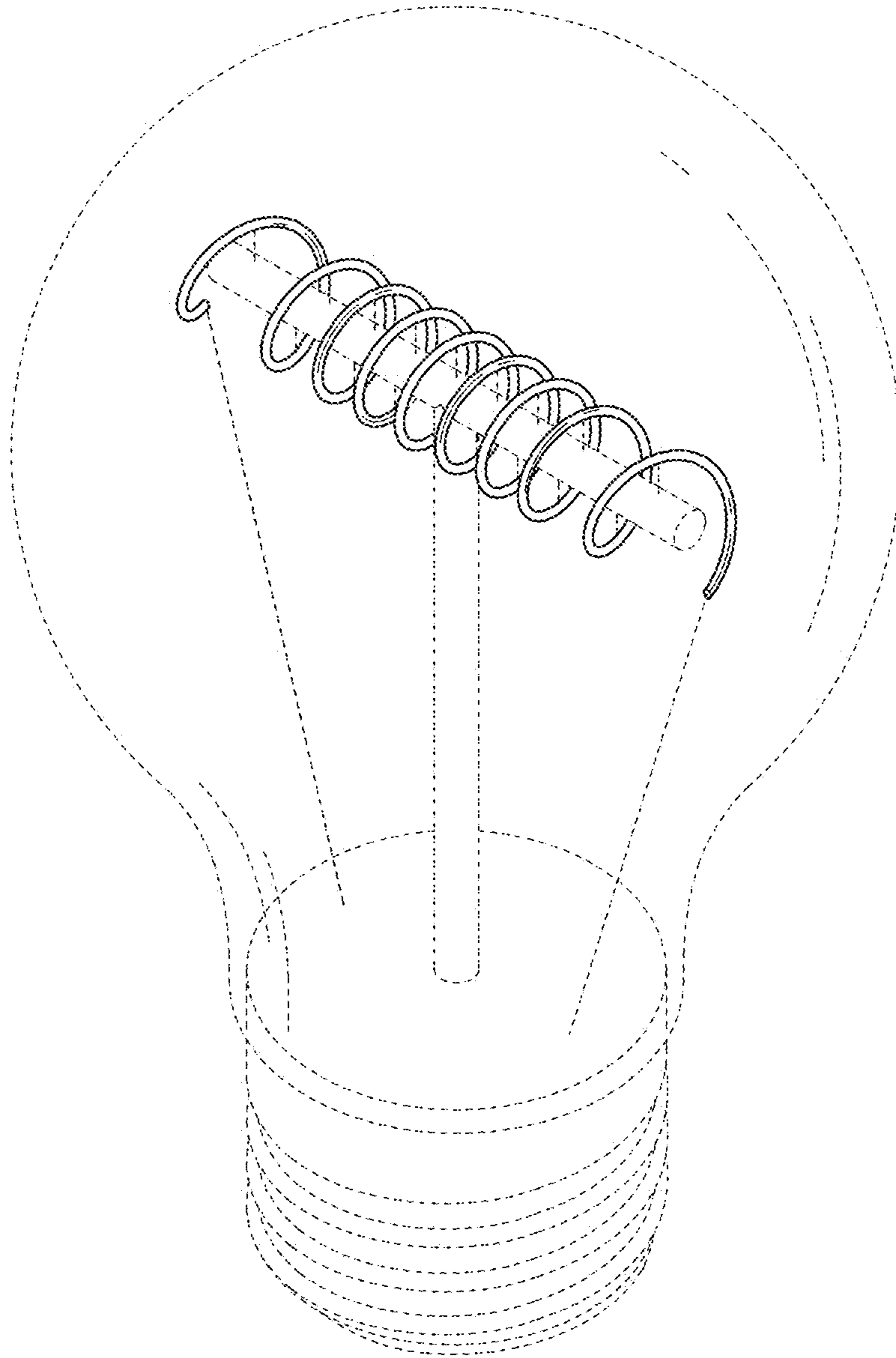


FIG. 71

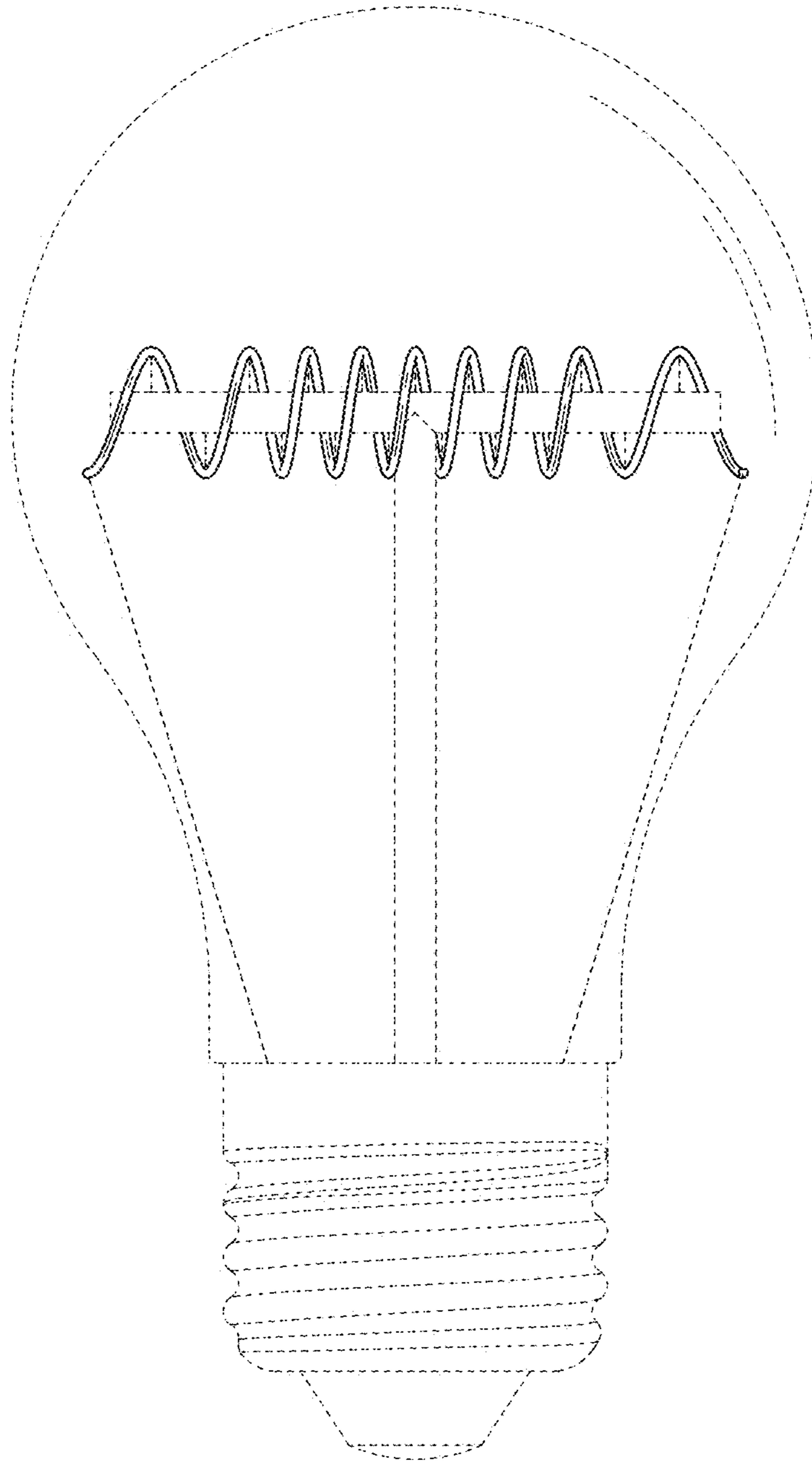


FIG. 72

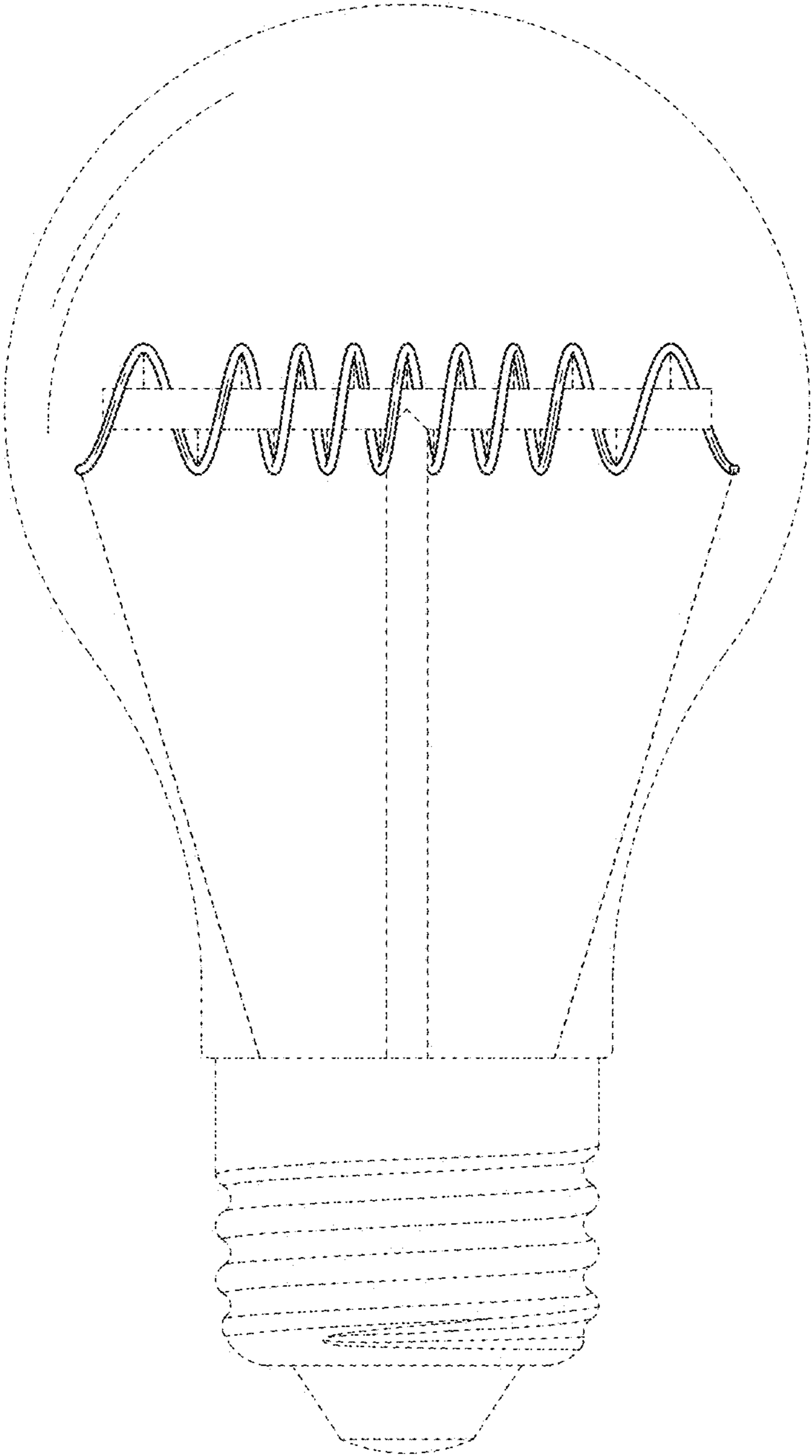


FIG. 73

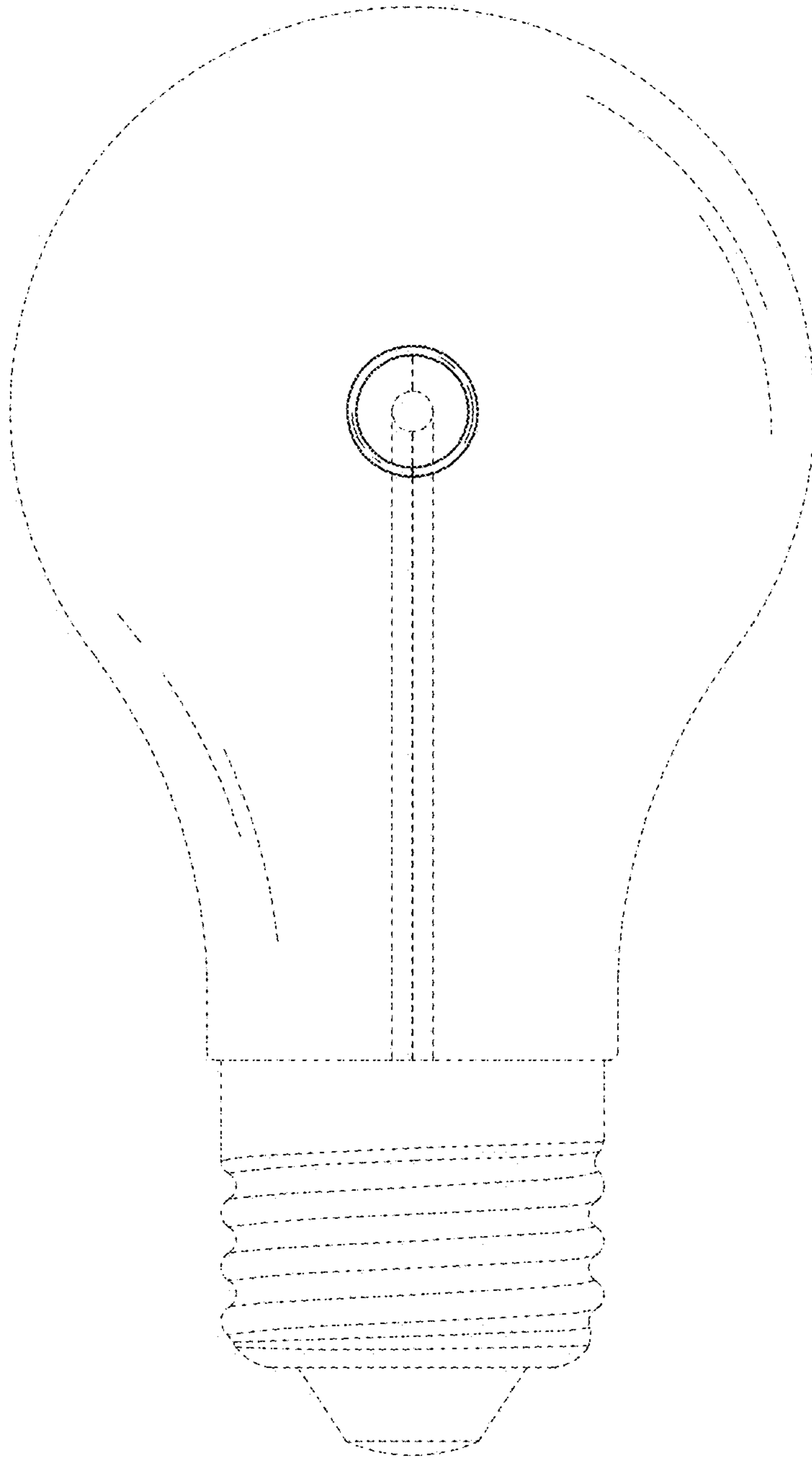


FIG. 74

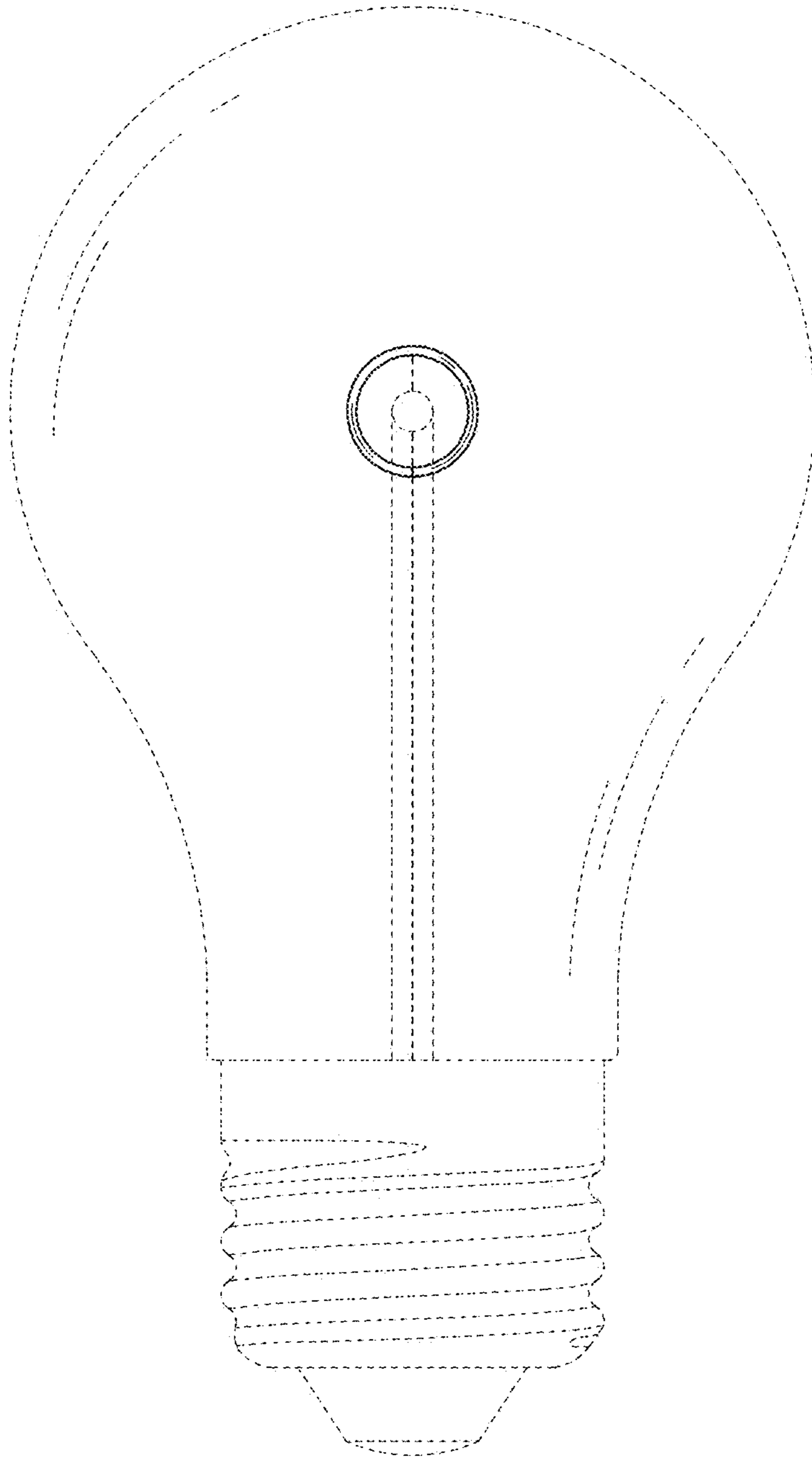


FIG. 75

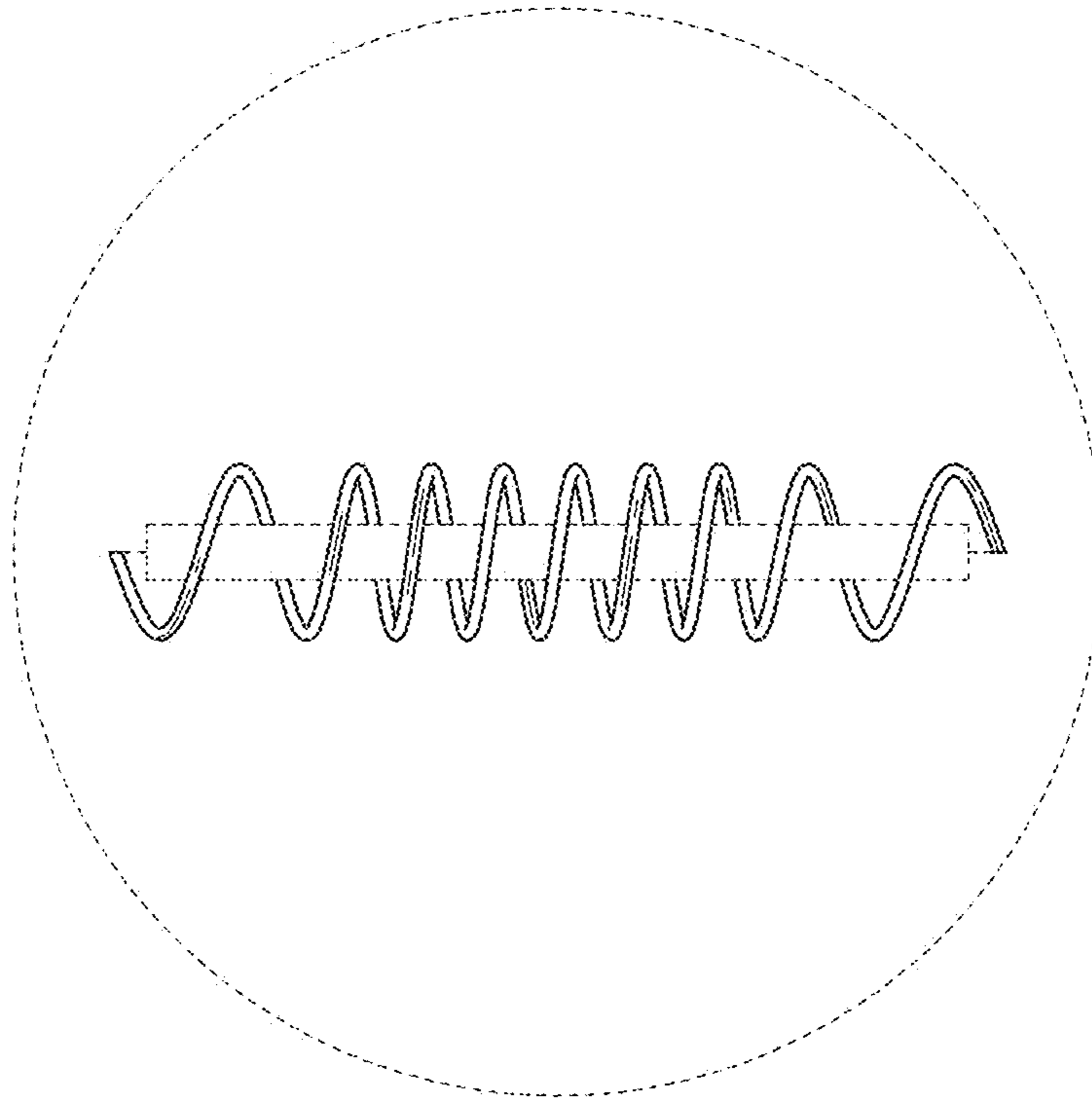


FIG. 76

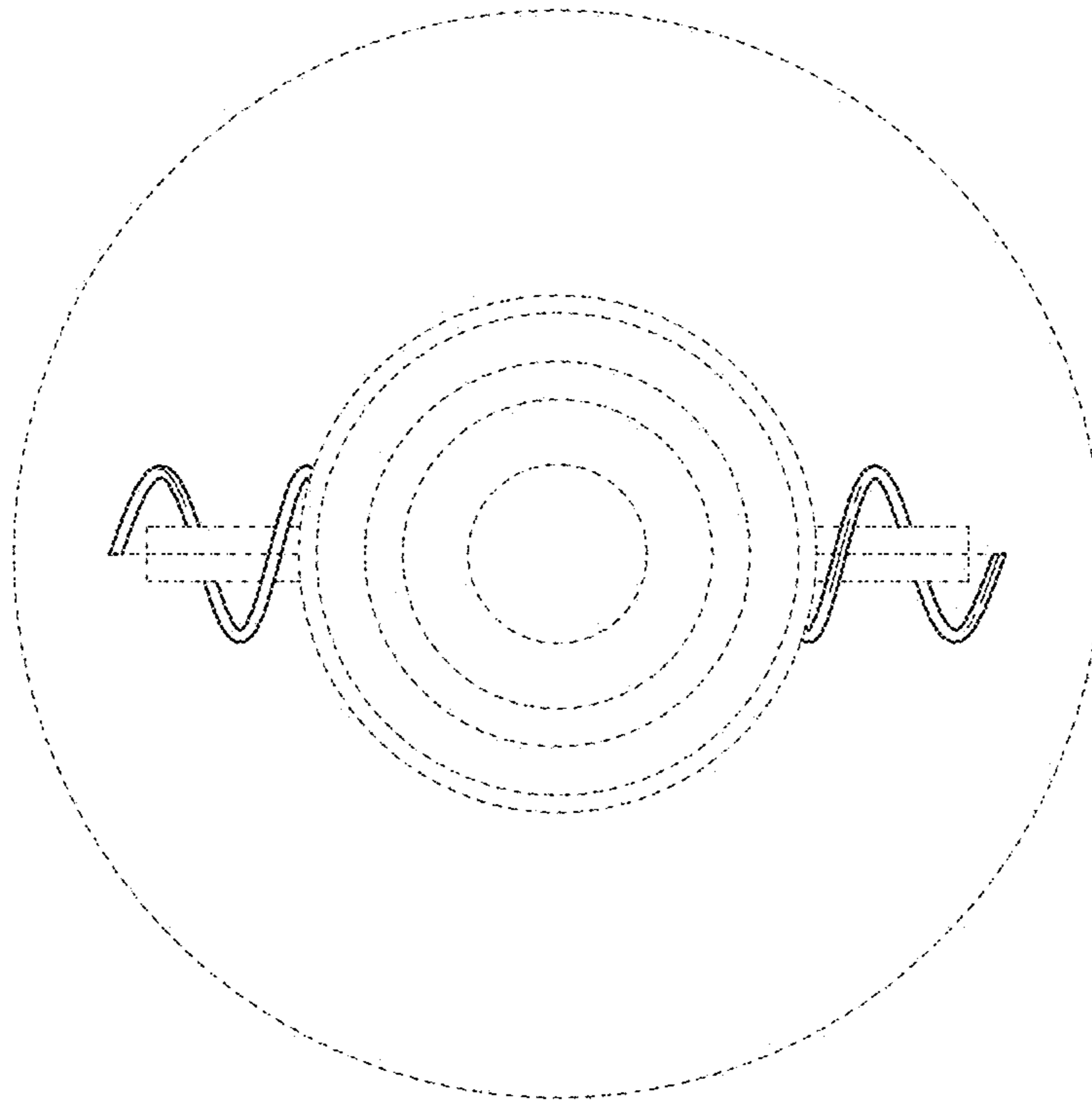


FIG. 77

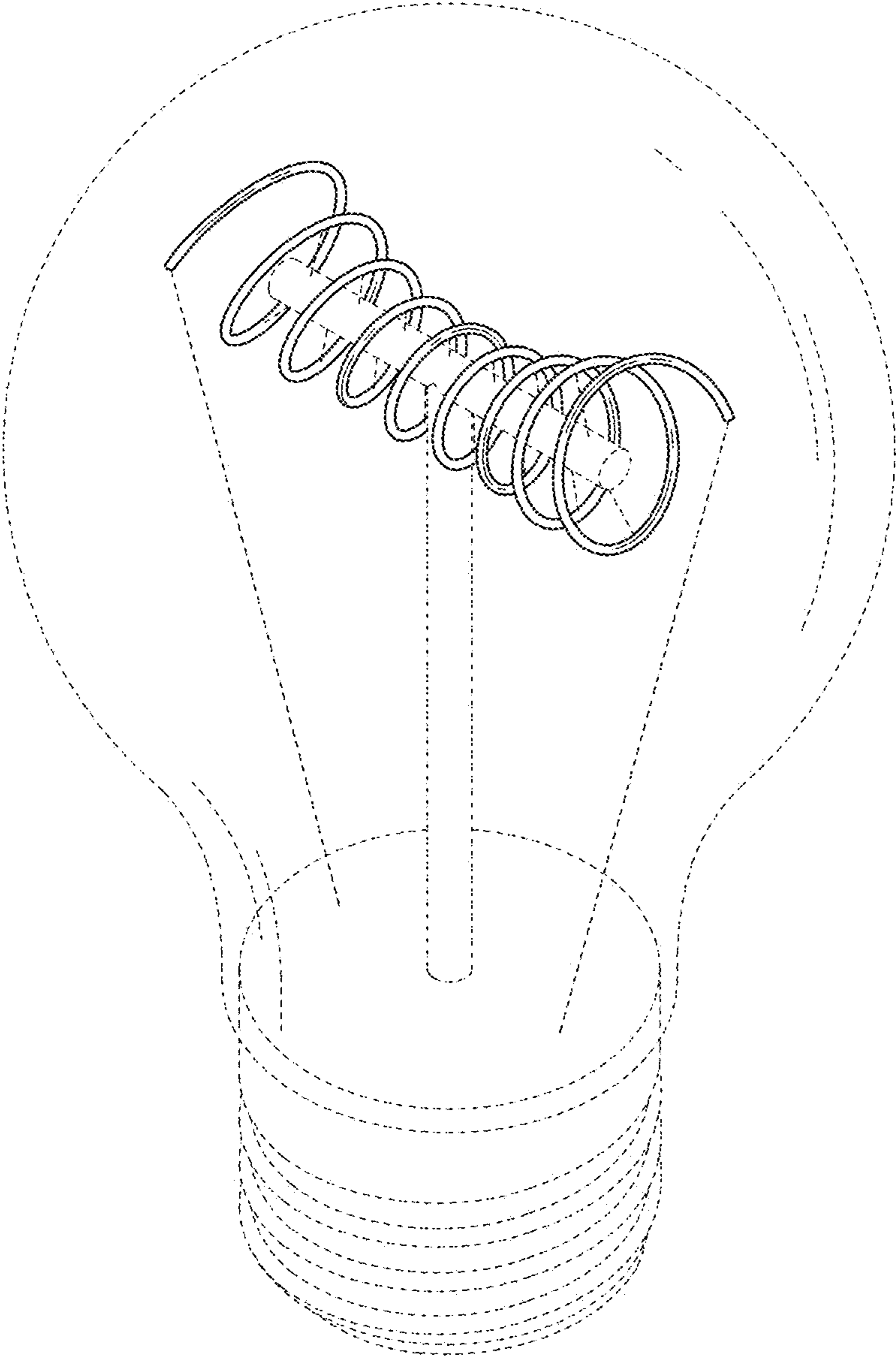


FIG.78

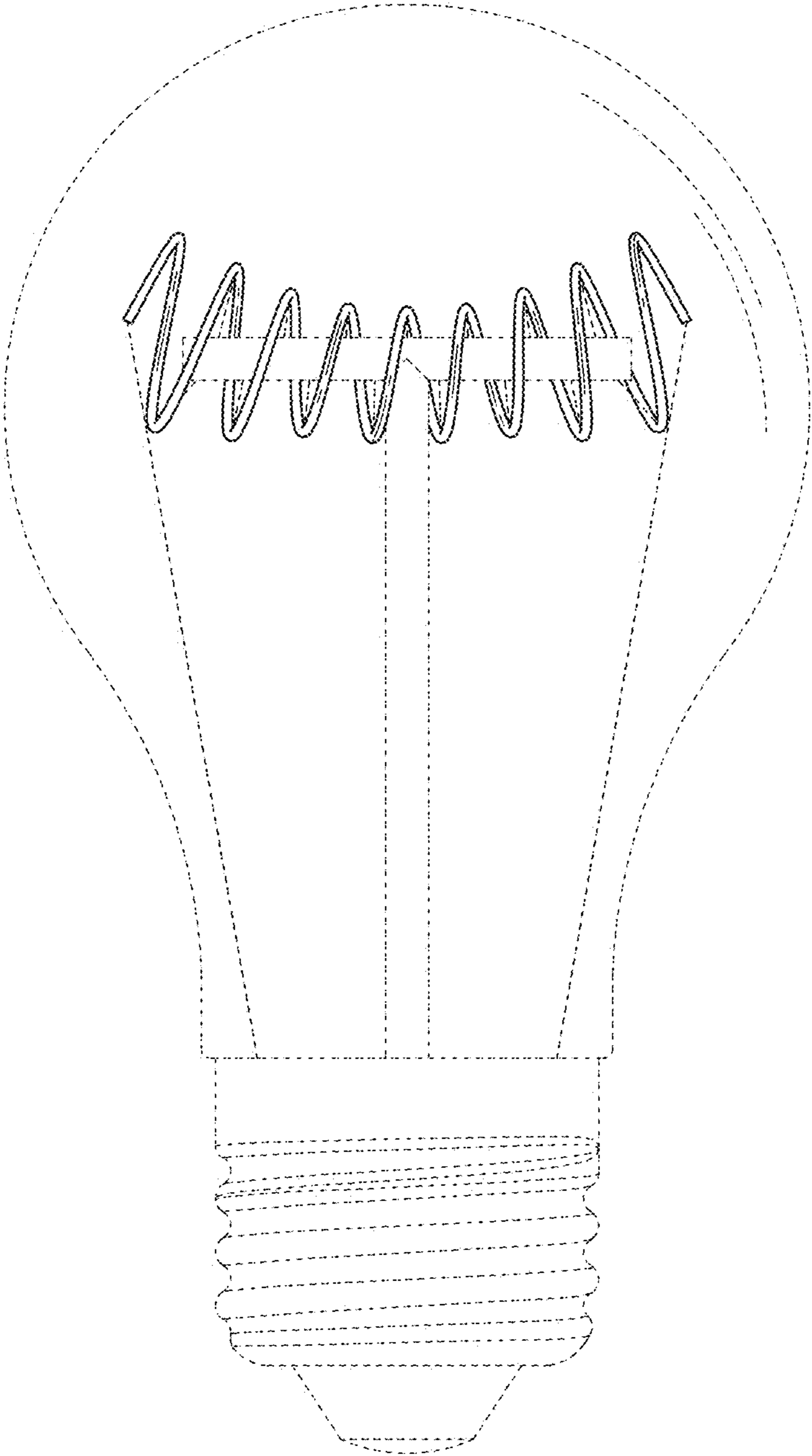


FIG. 79

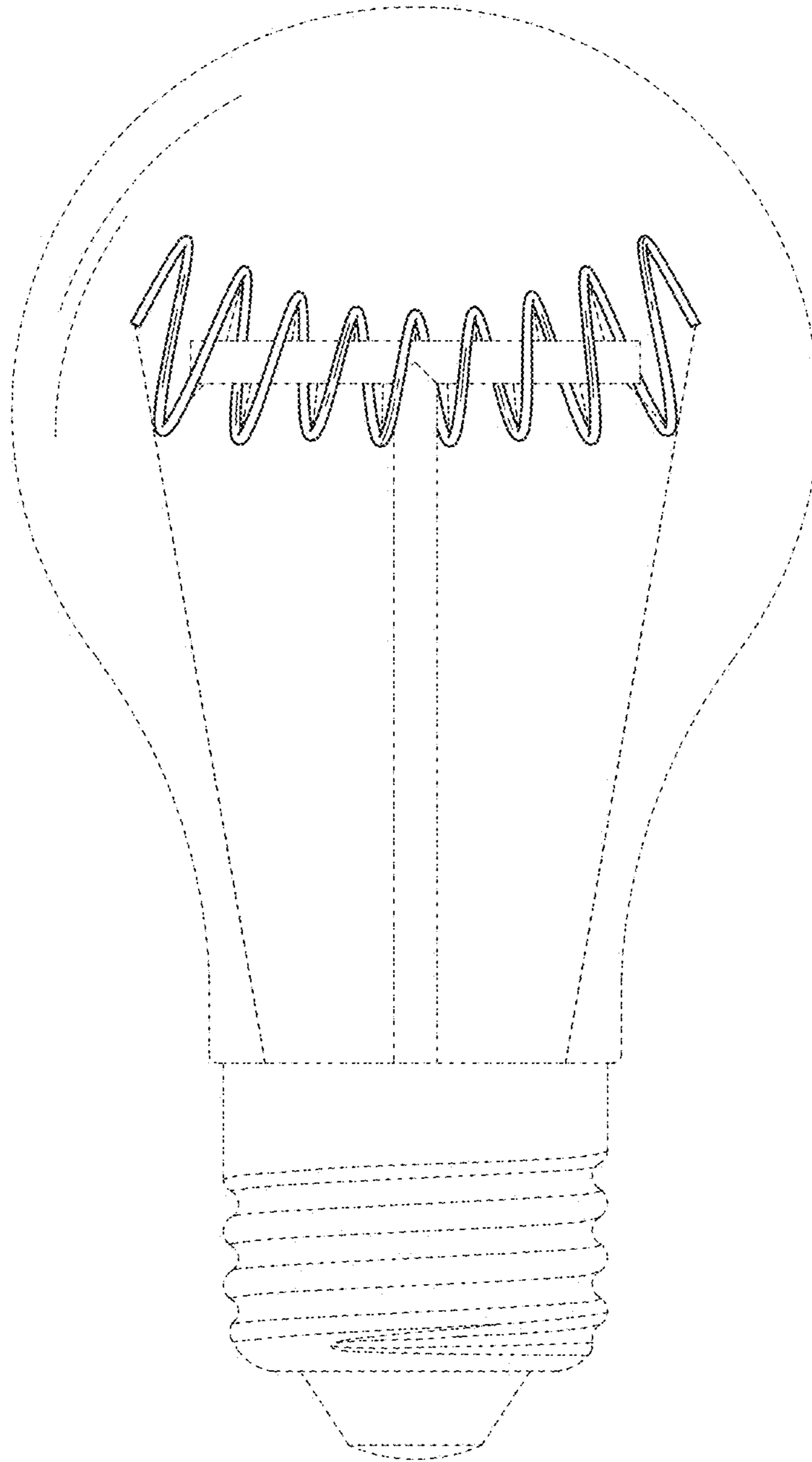


FIG.80

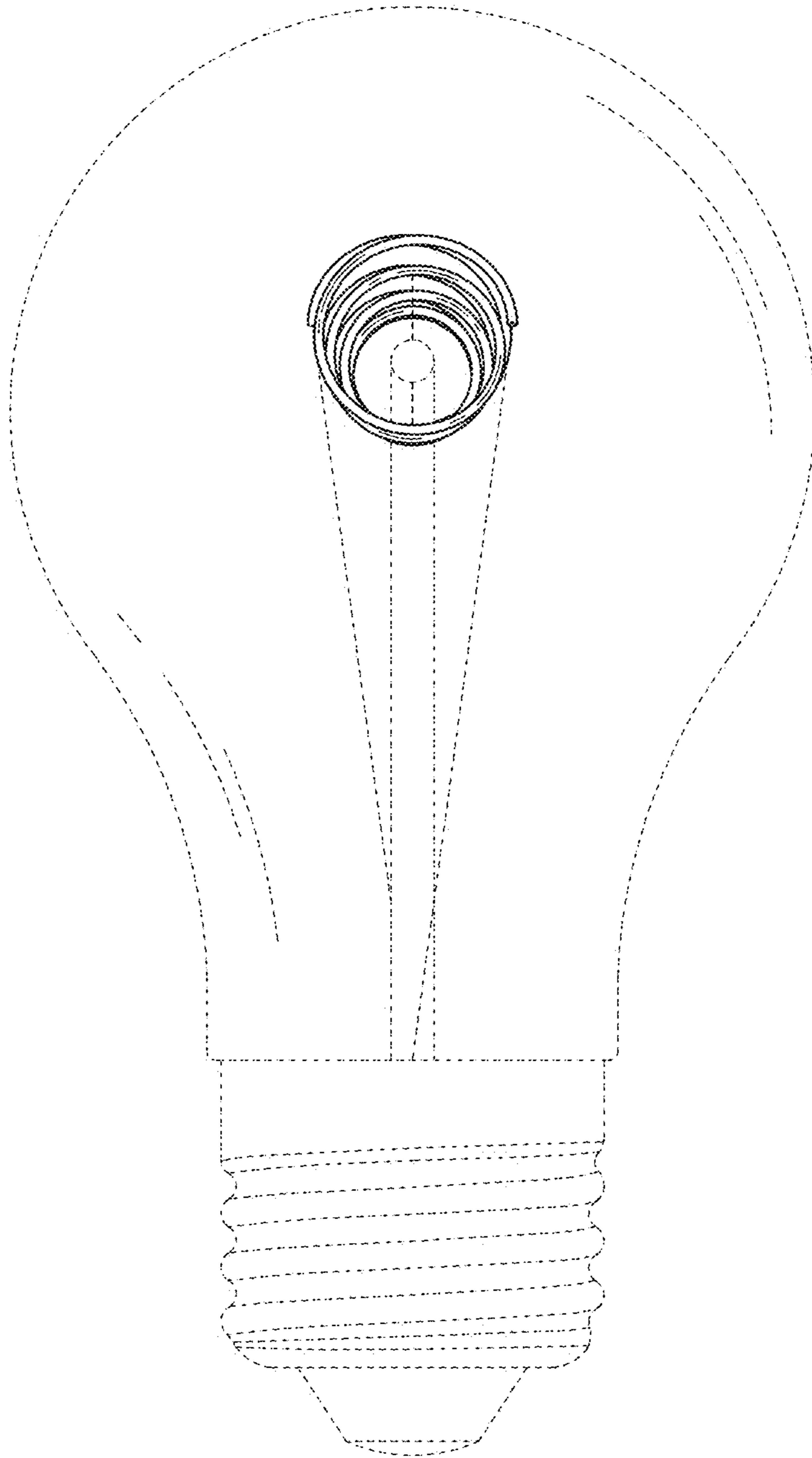


FIG. 81

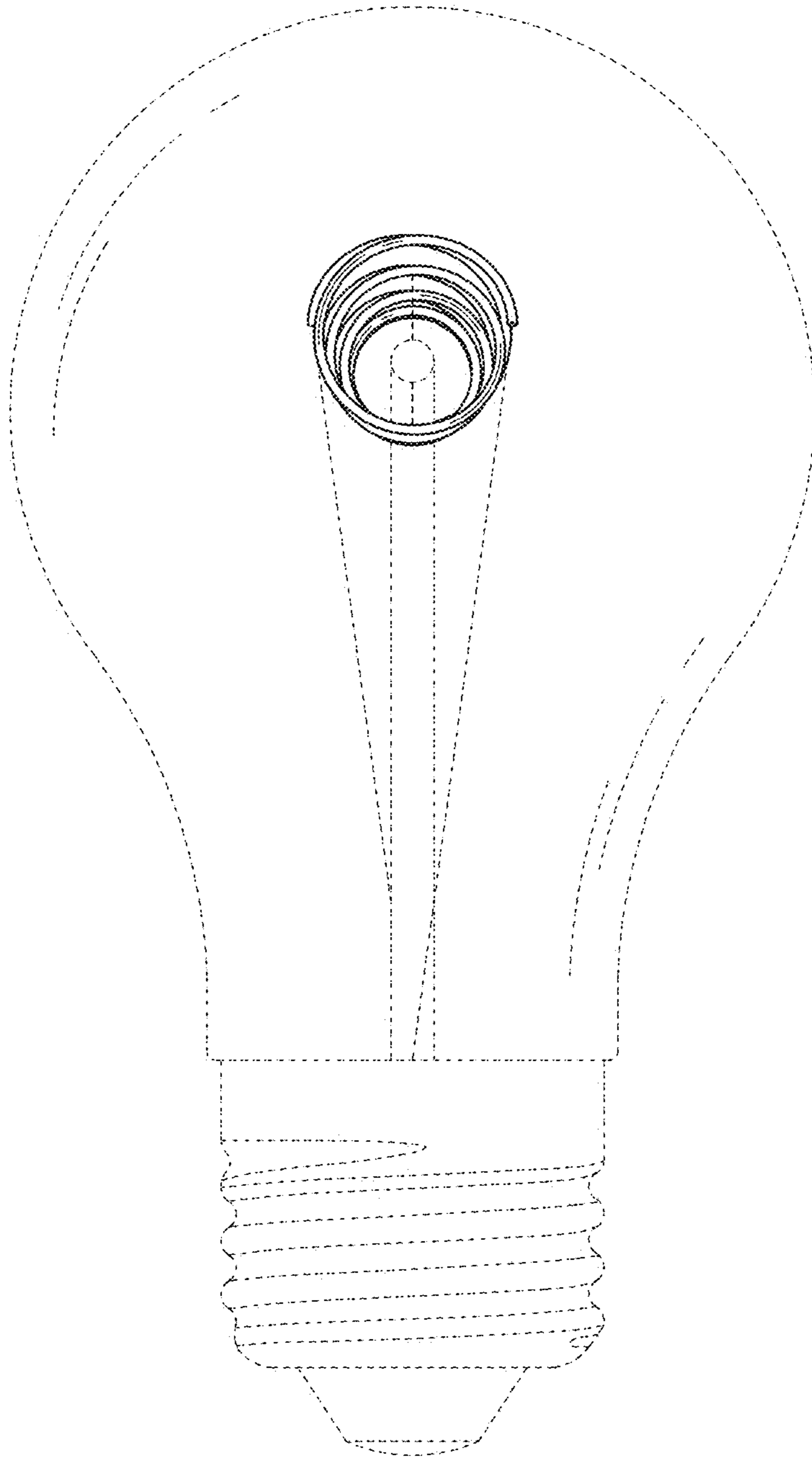


FIG. 82

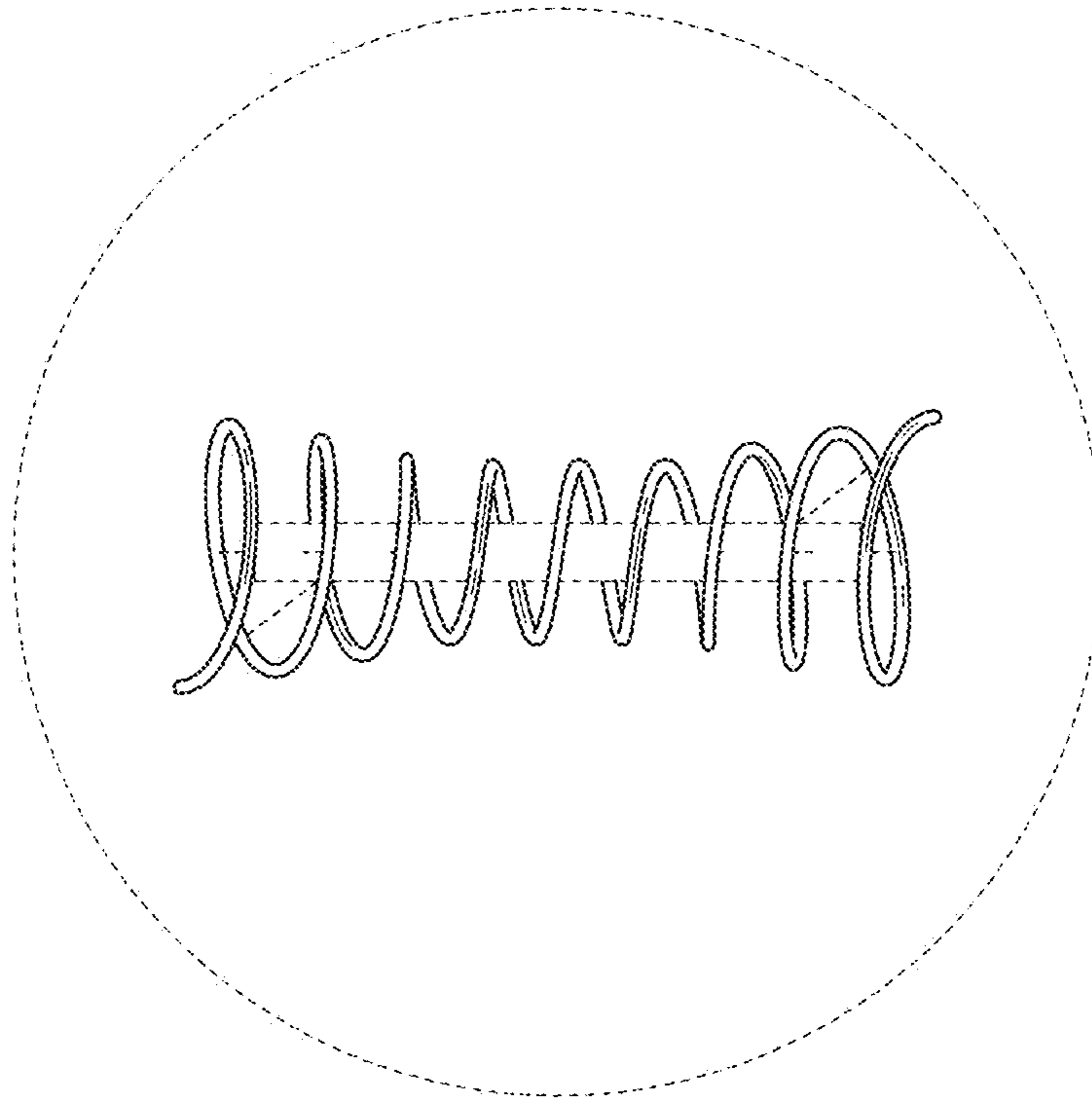


FIG. 83

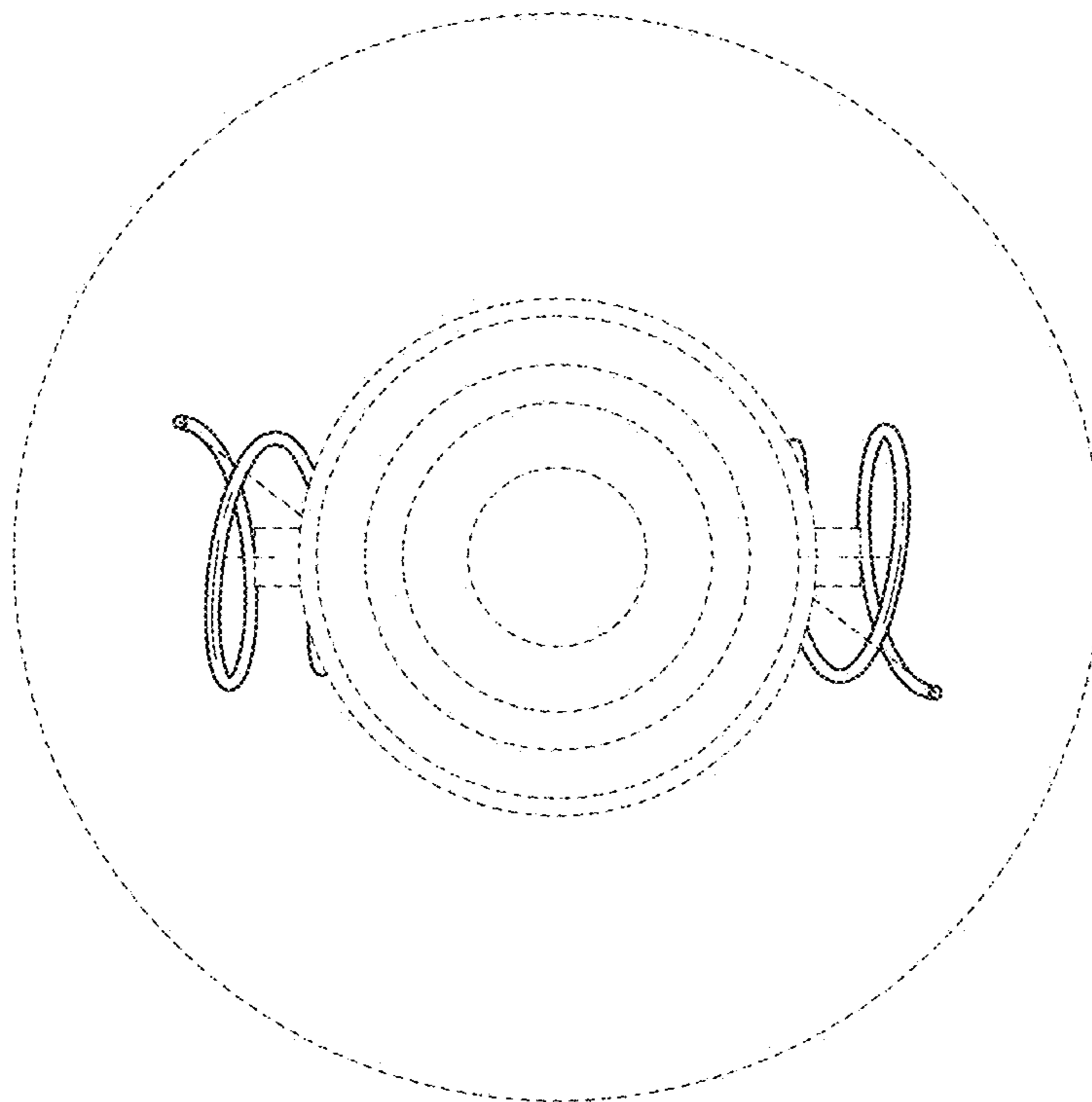


FIG. 84

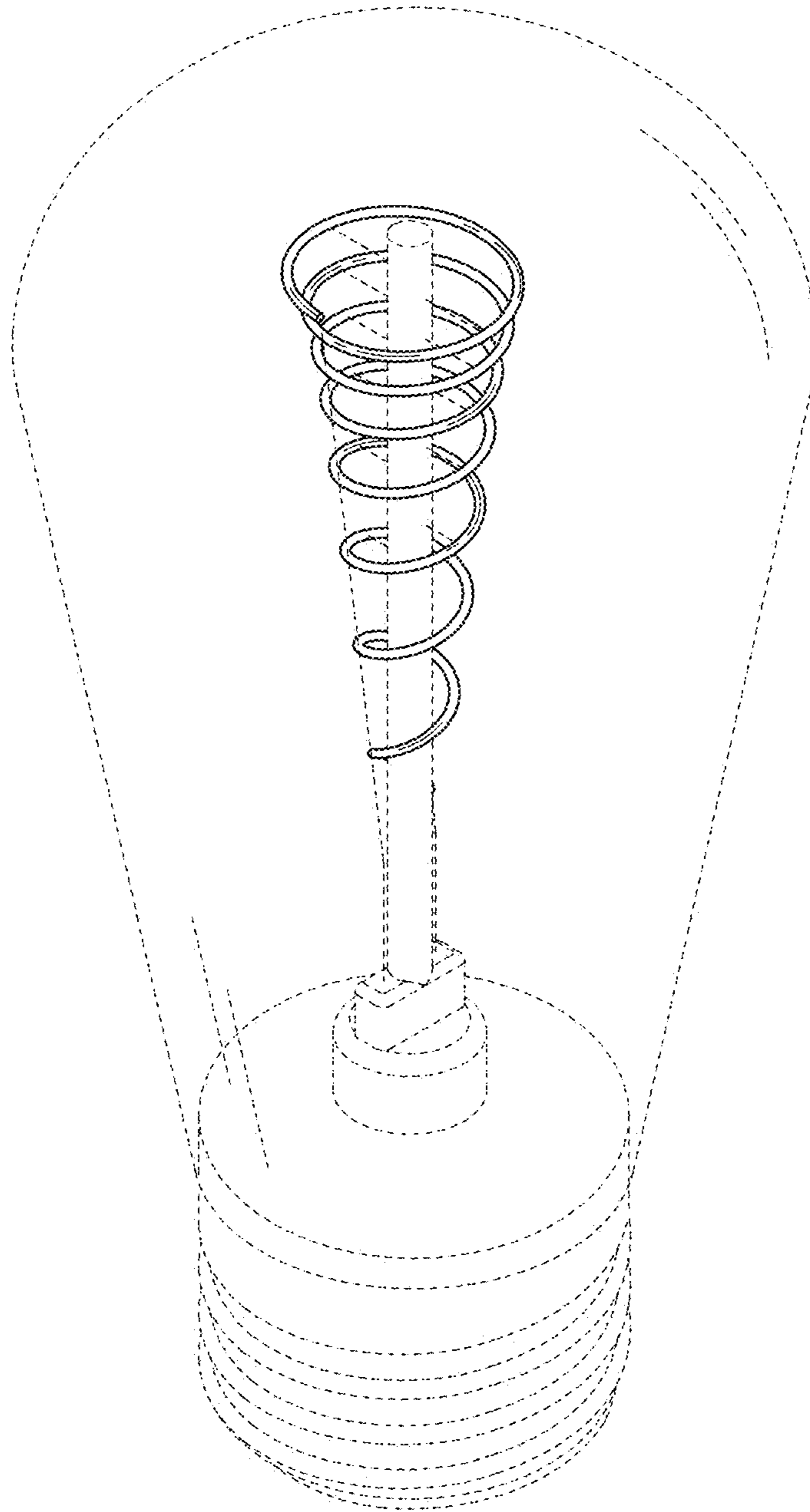


FIG. 85

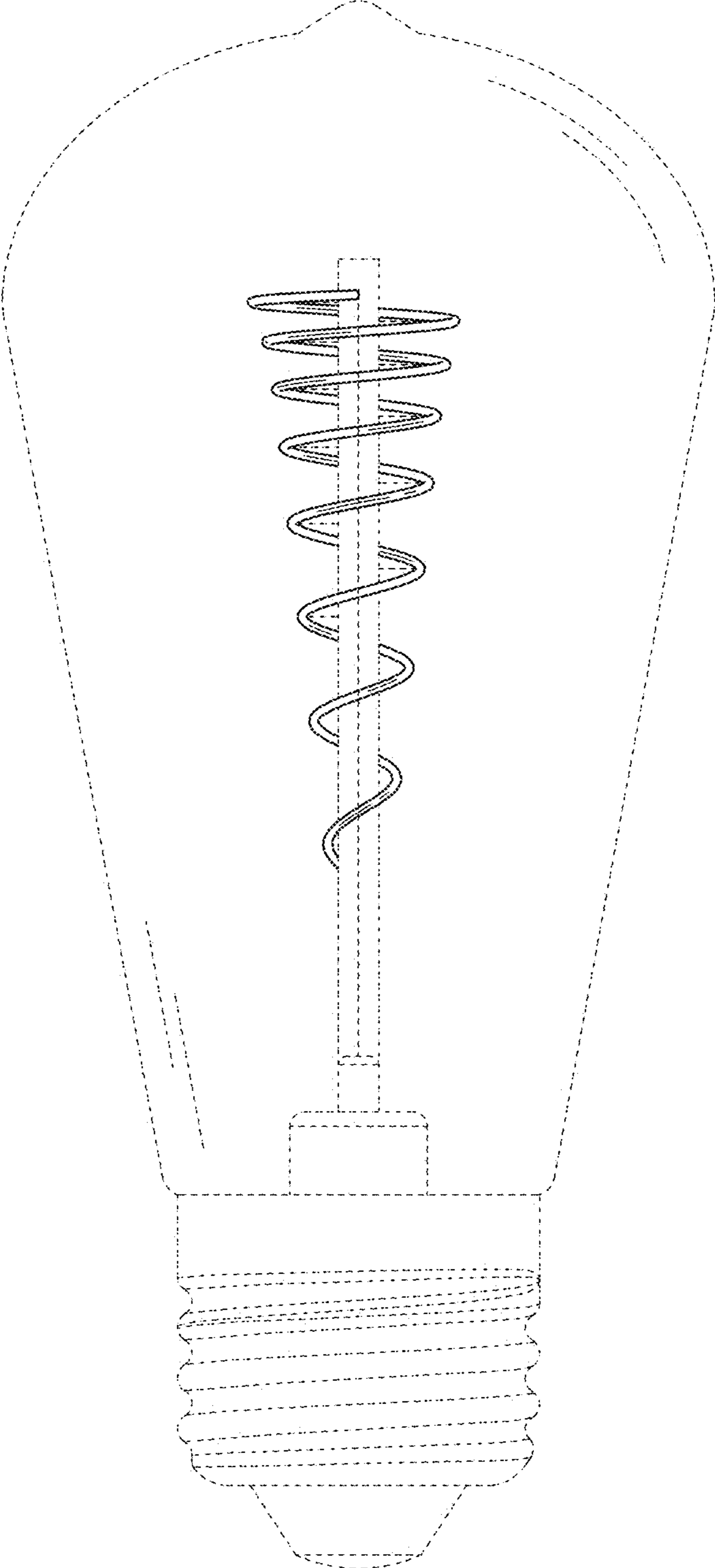


FIG.86

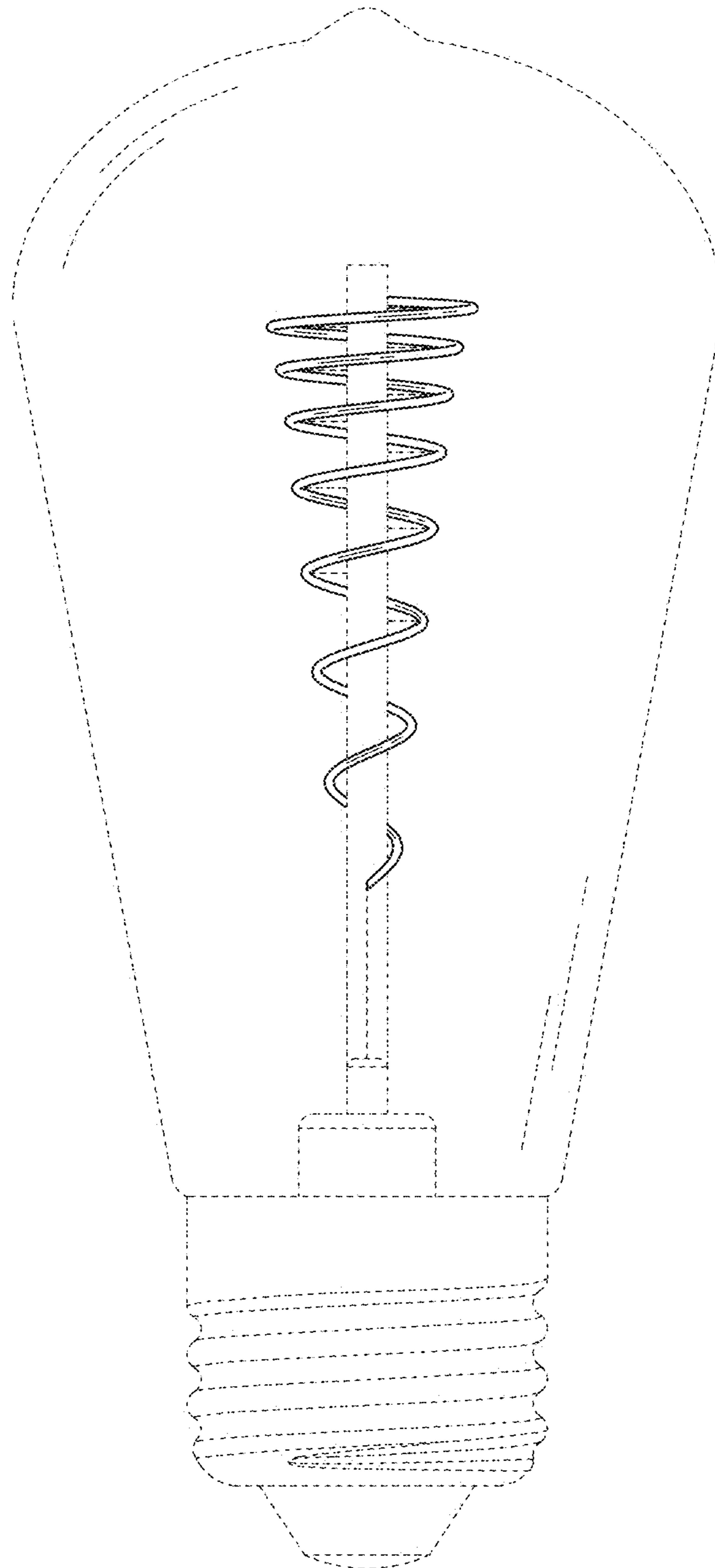


FIG.87

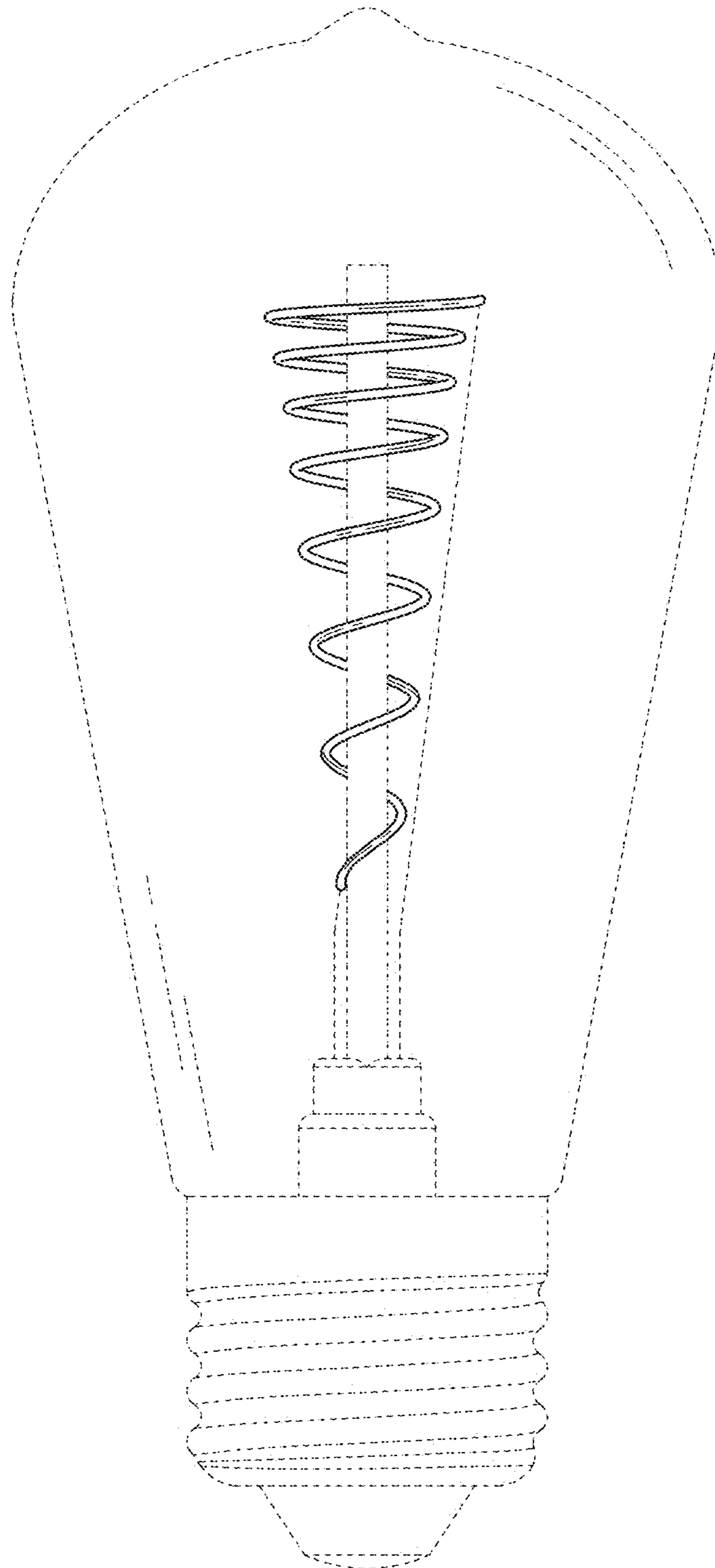


FIG.88

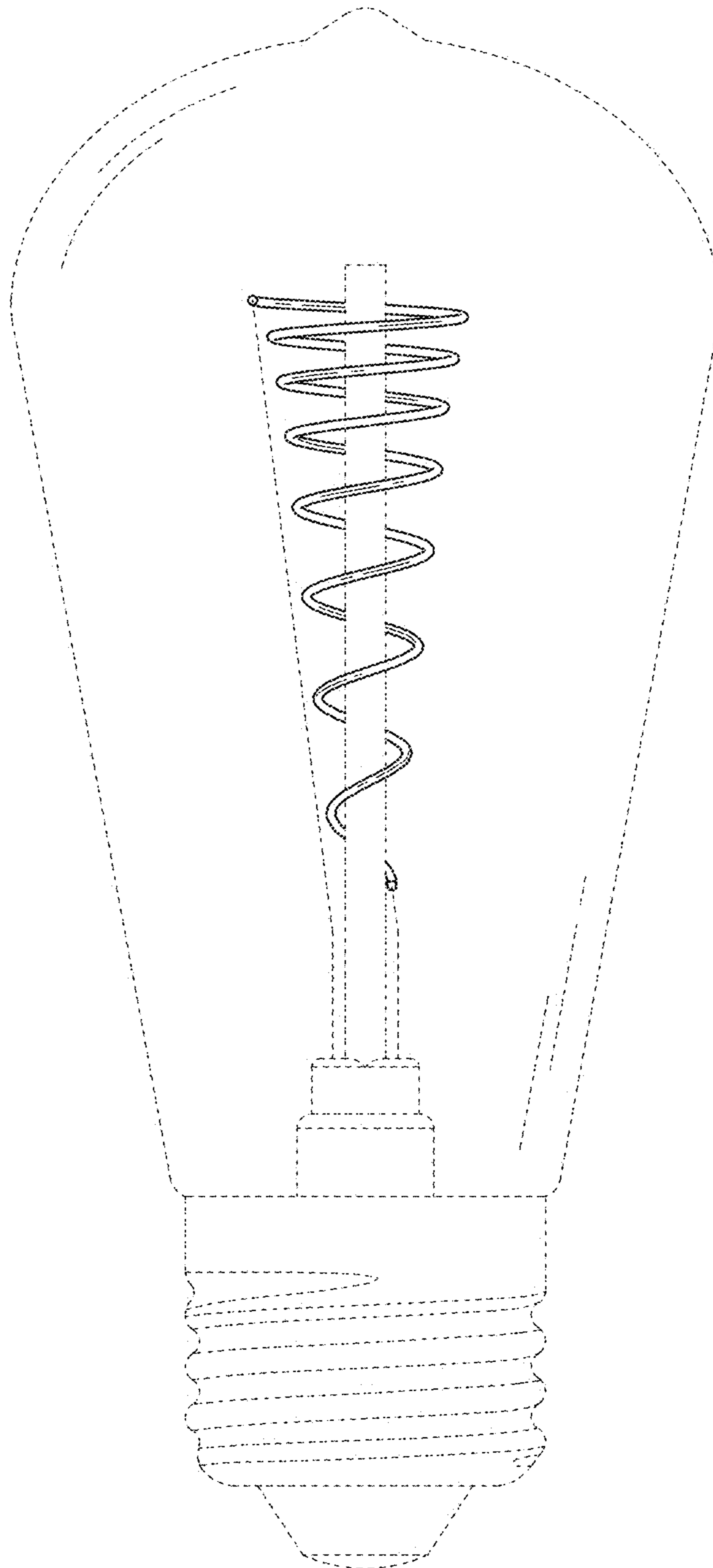


FIG. 89

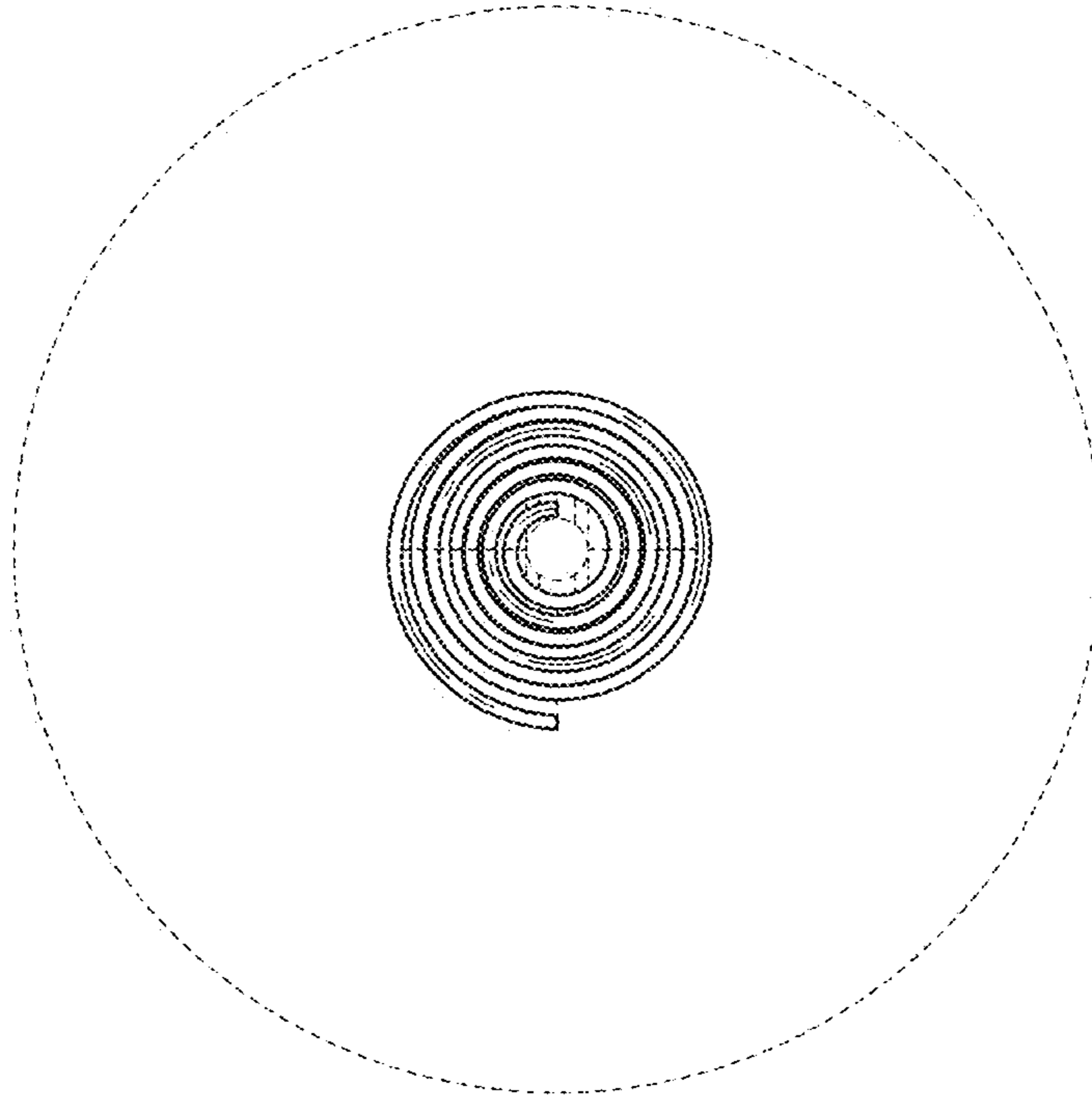


FIG. 90

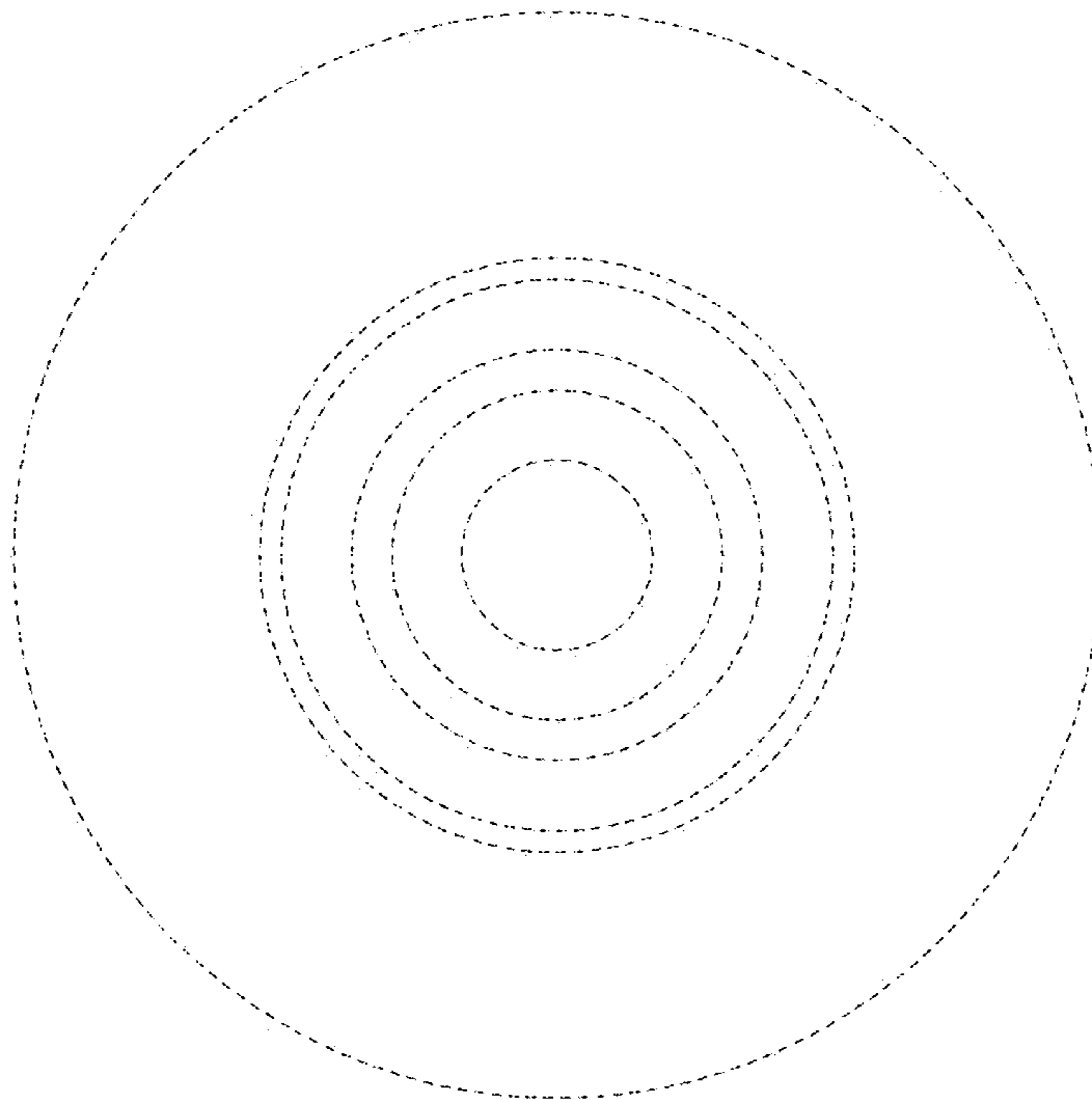


FIG. 91

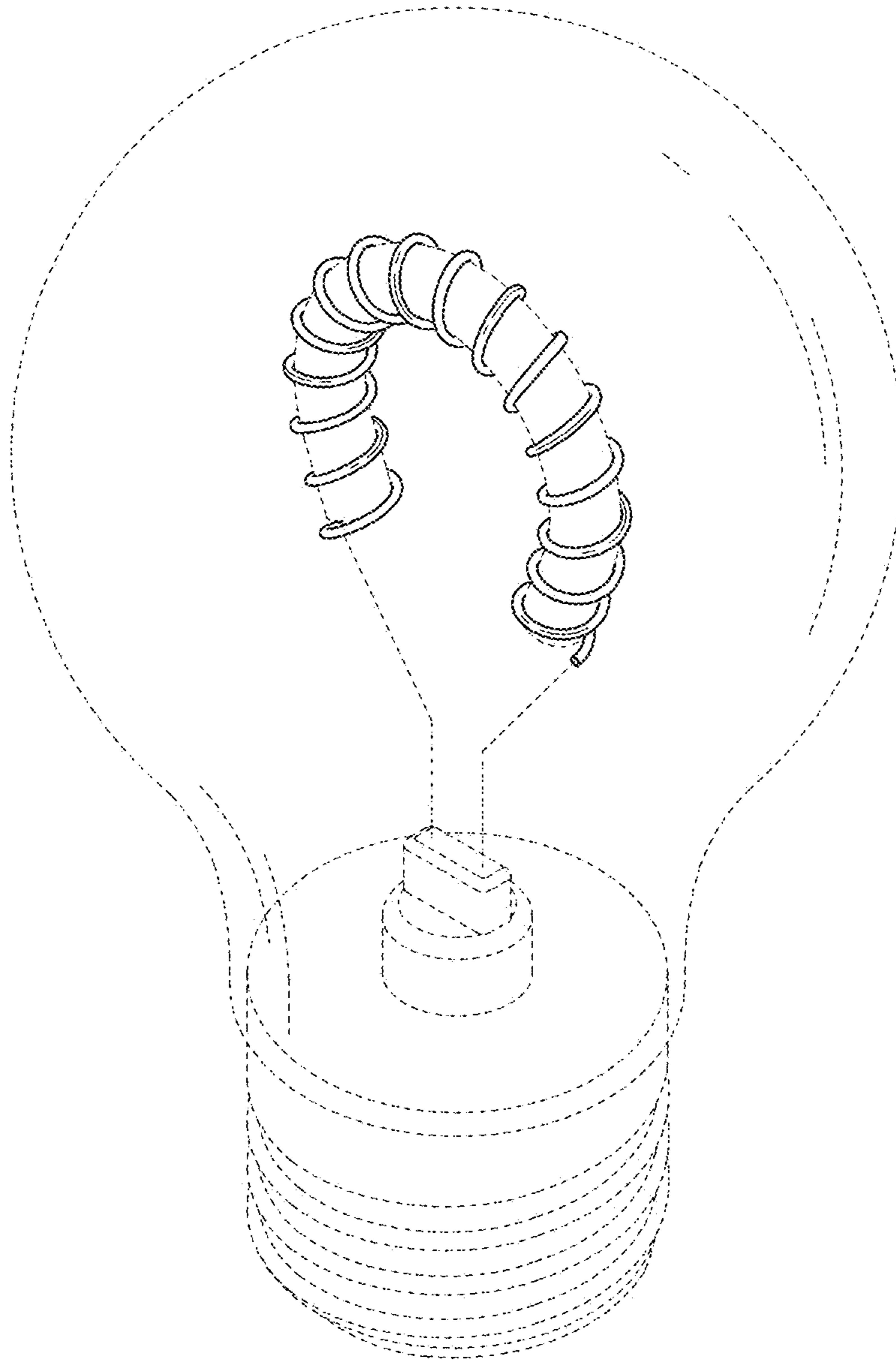


FIG. 92

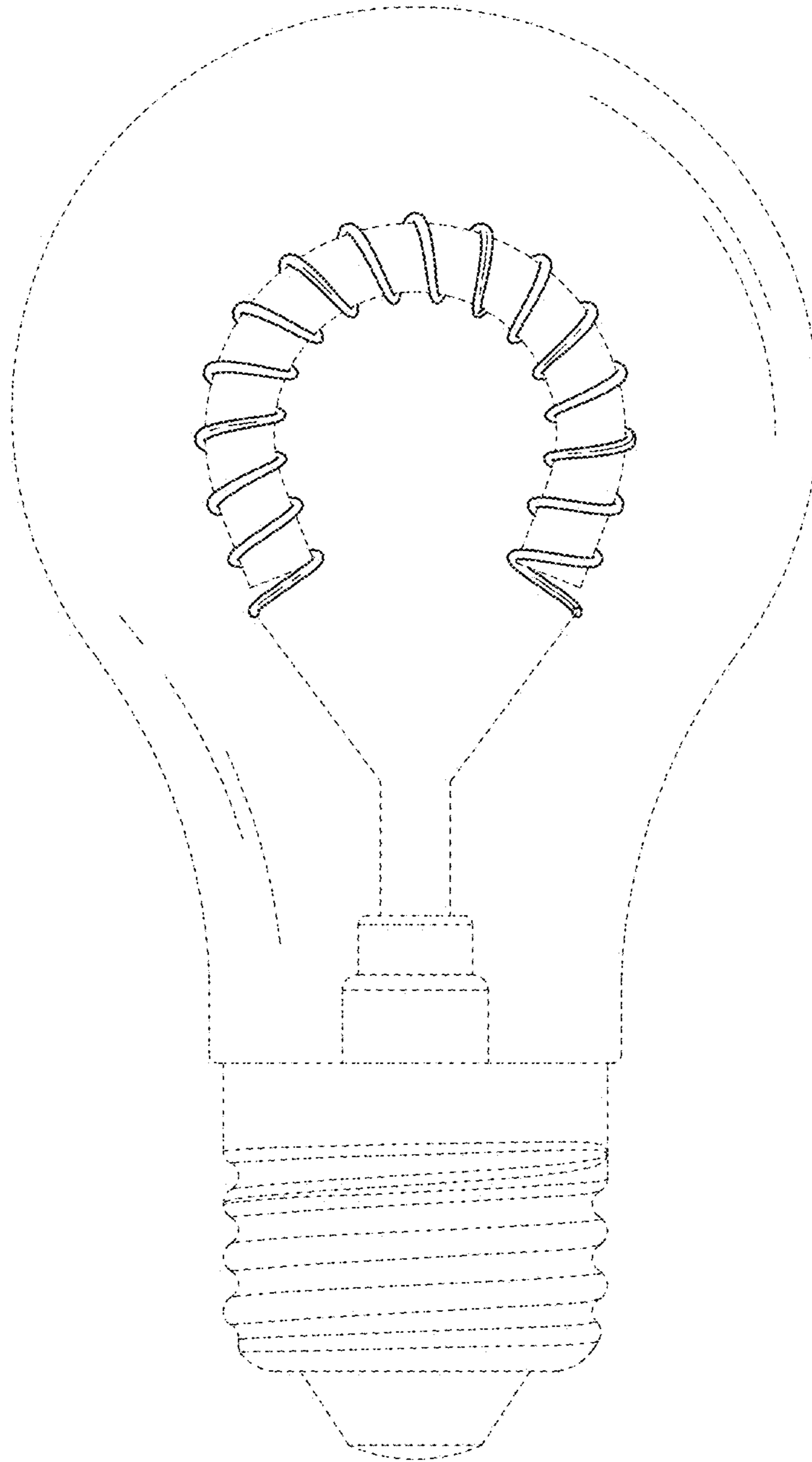


FIG. 93

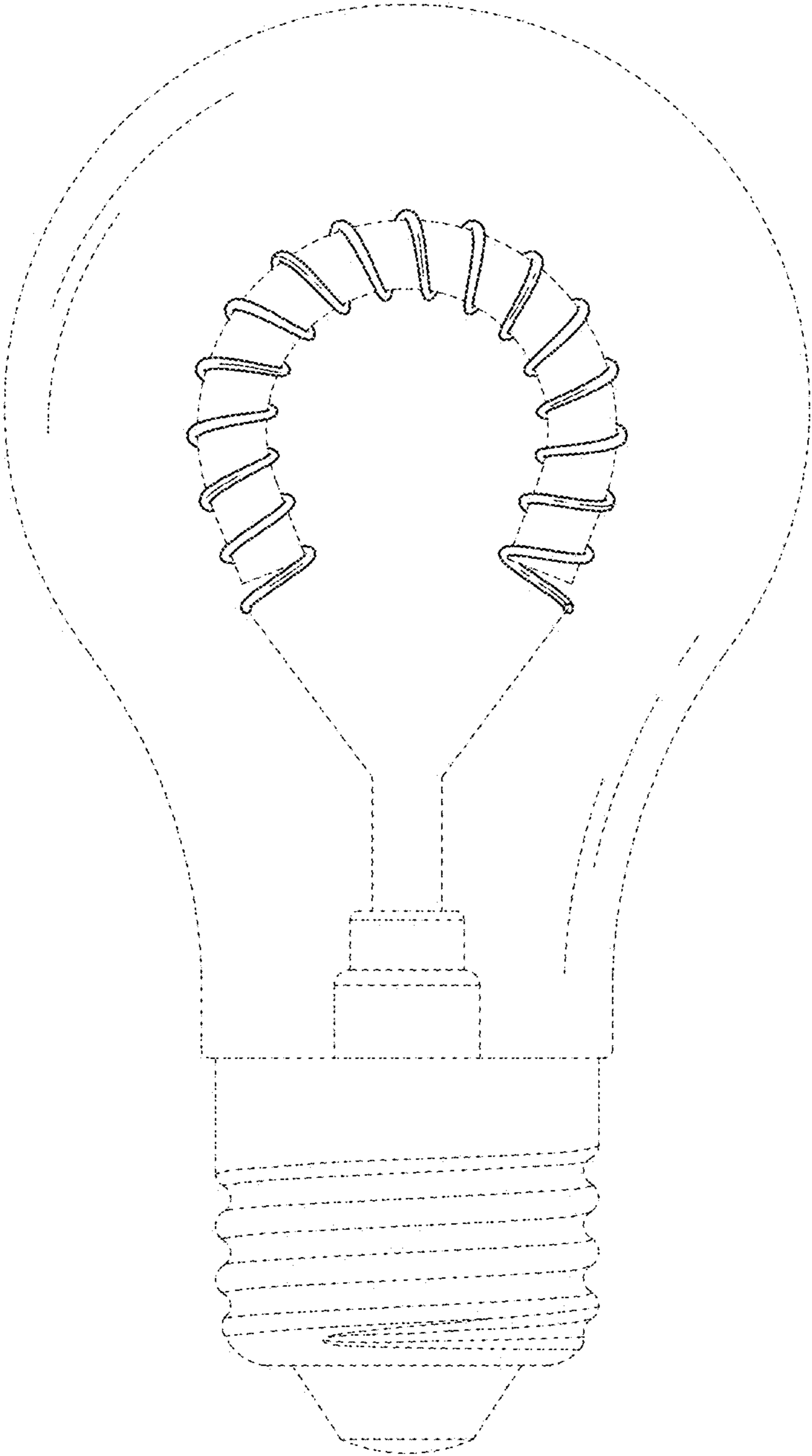


FIG.94

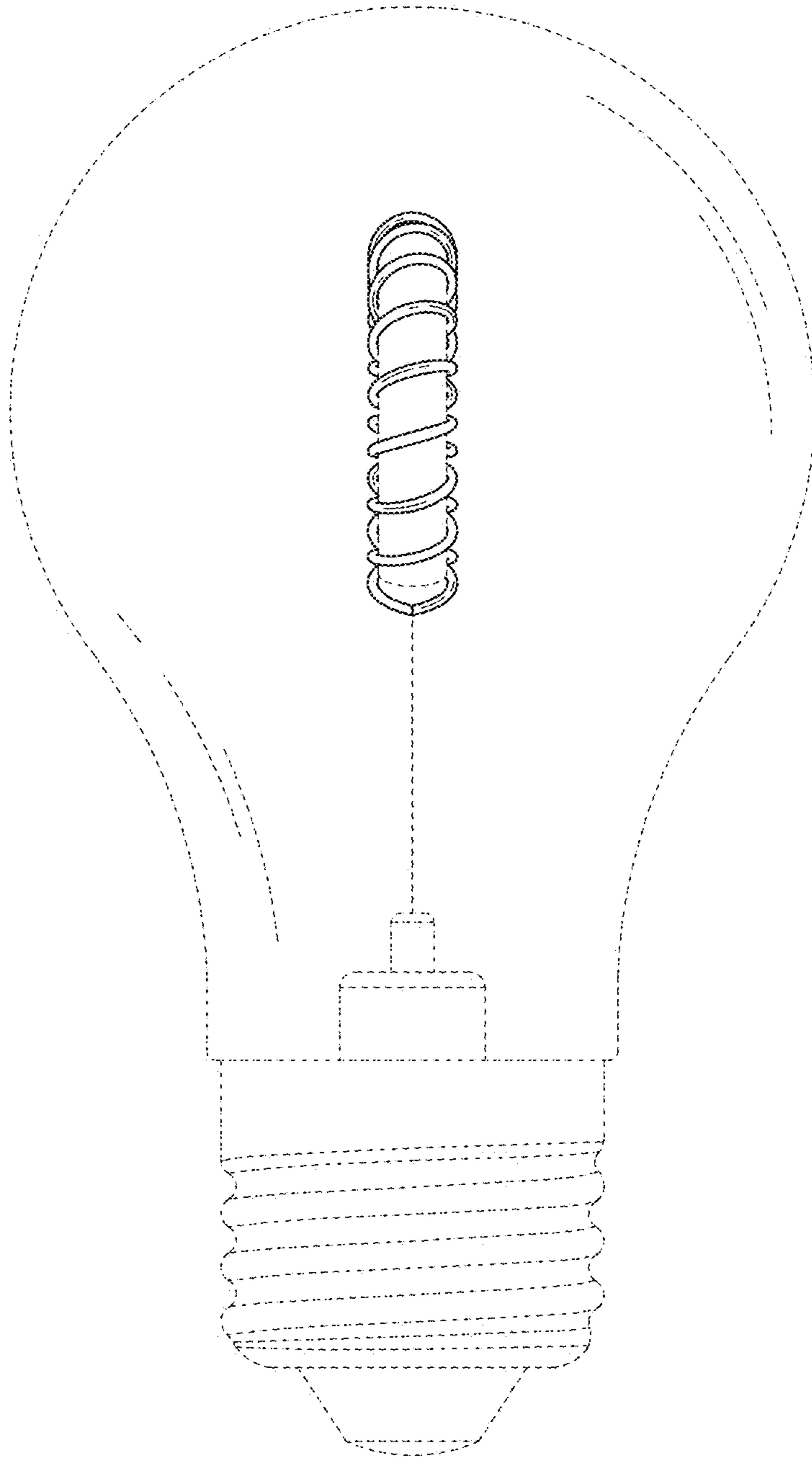


FIG.95

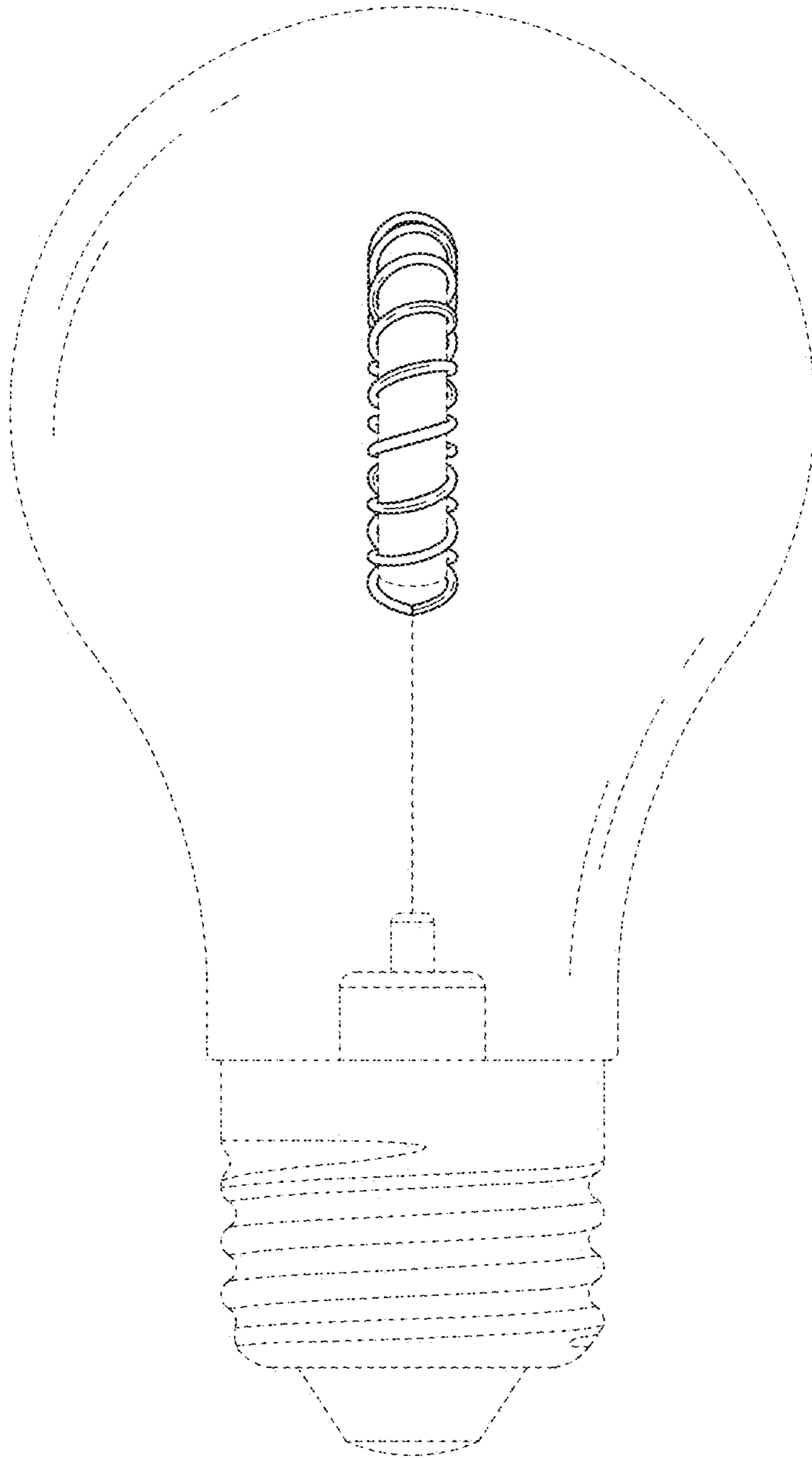


FIG.96

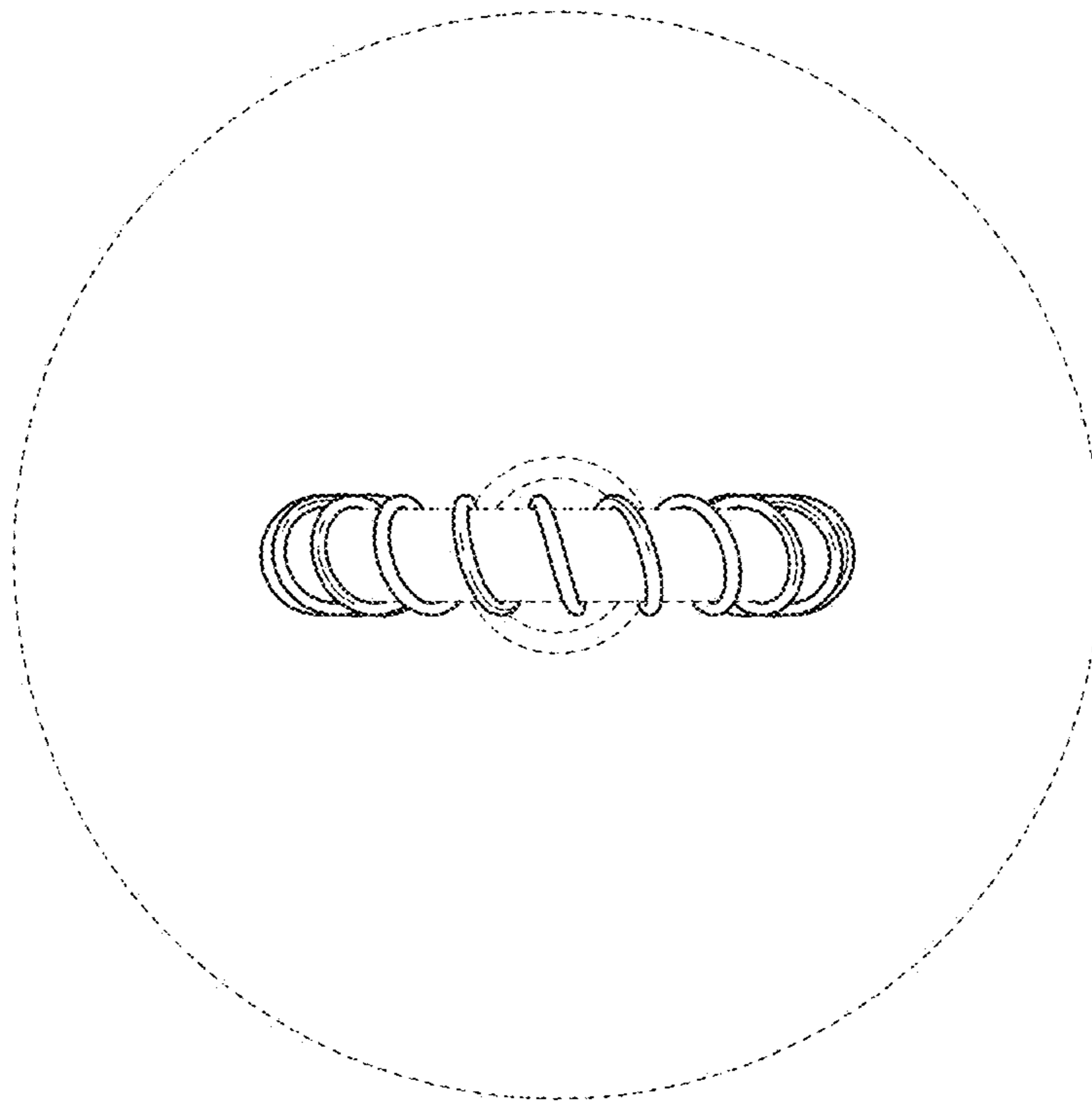


FIG. 97

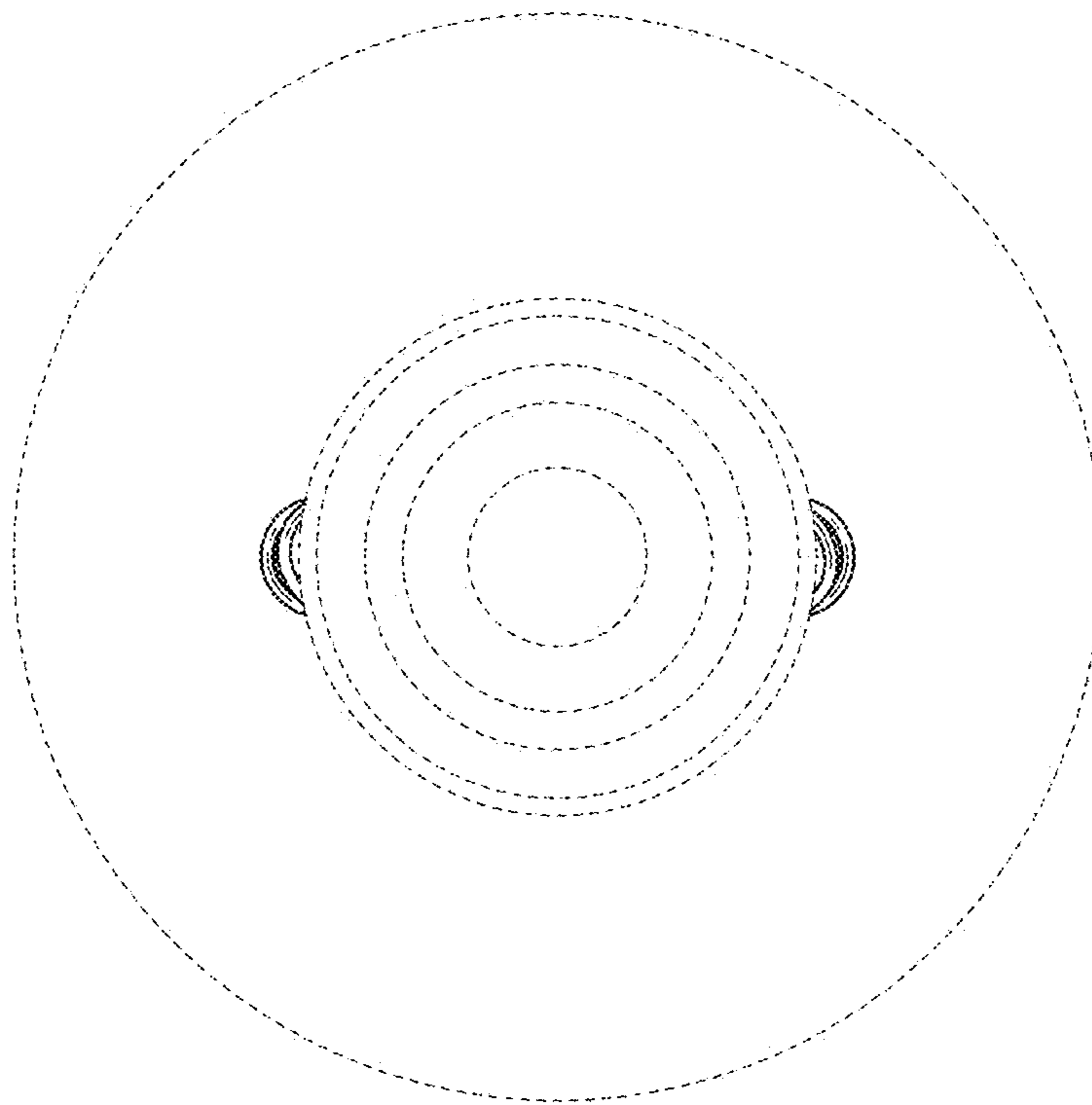


FIG. 98

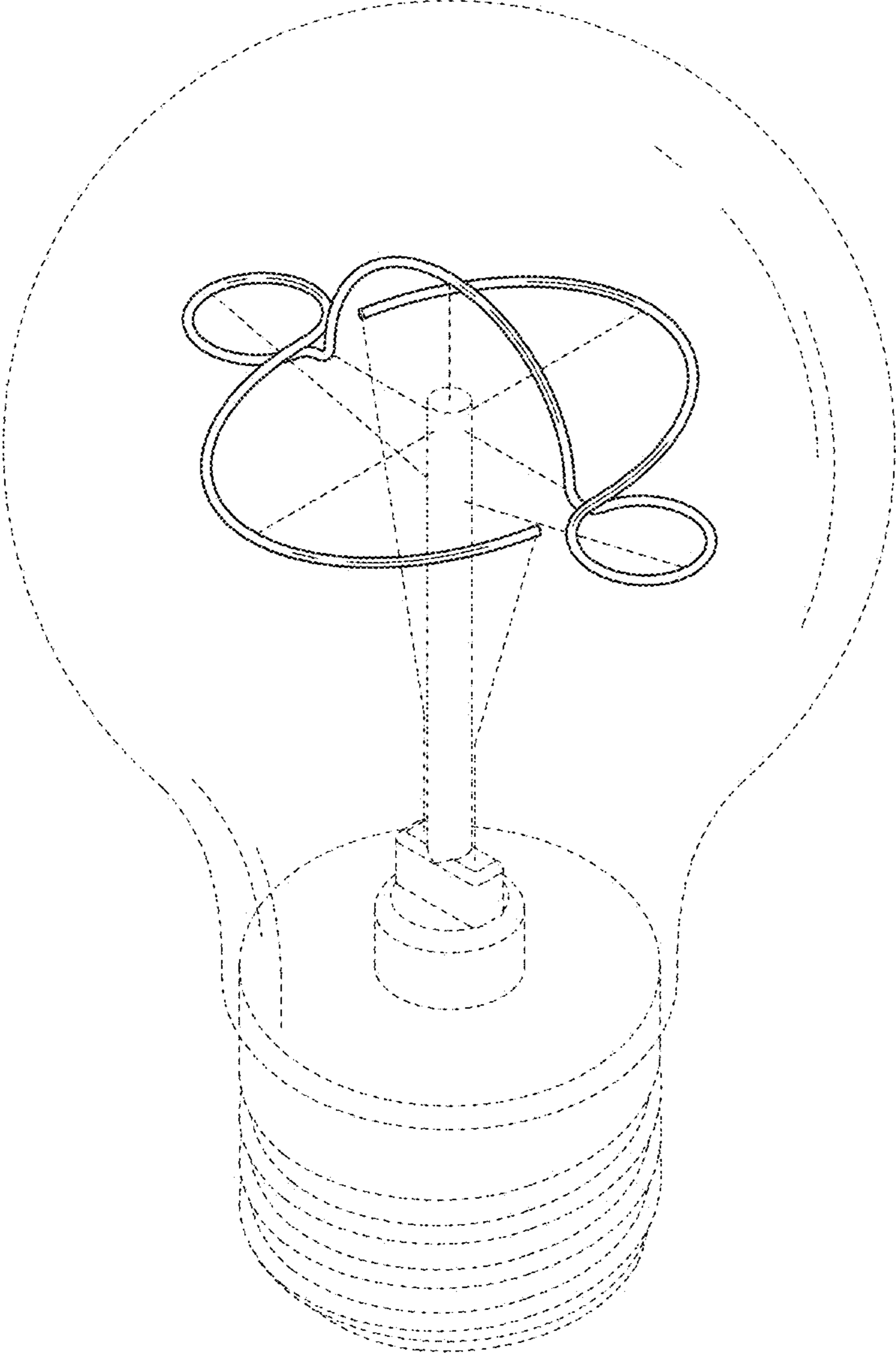


FIG. 99

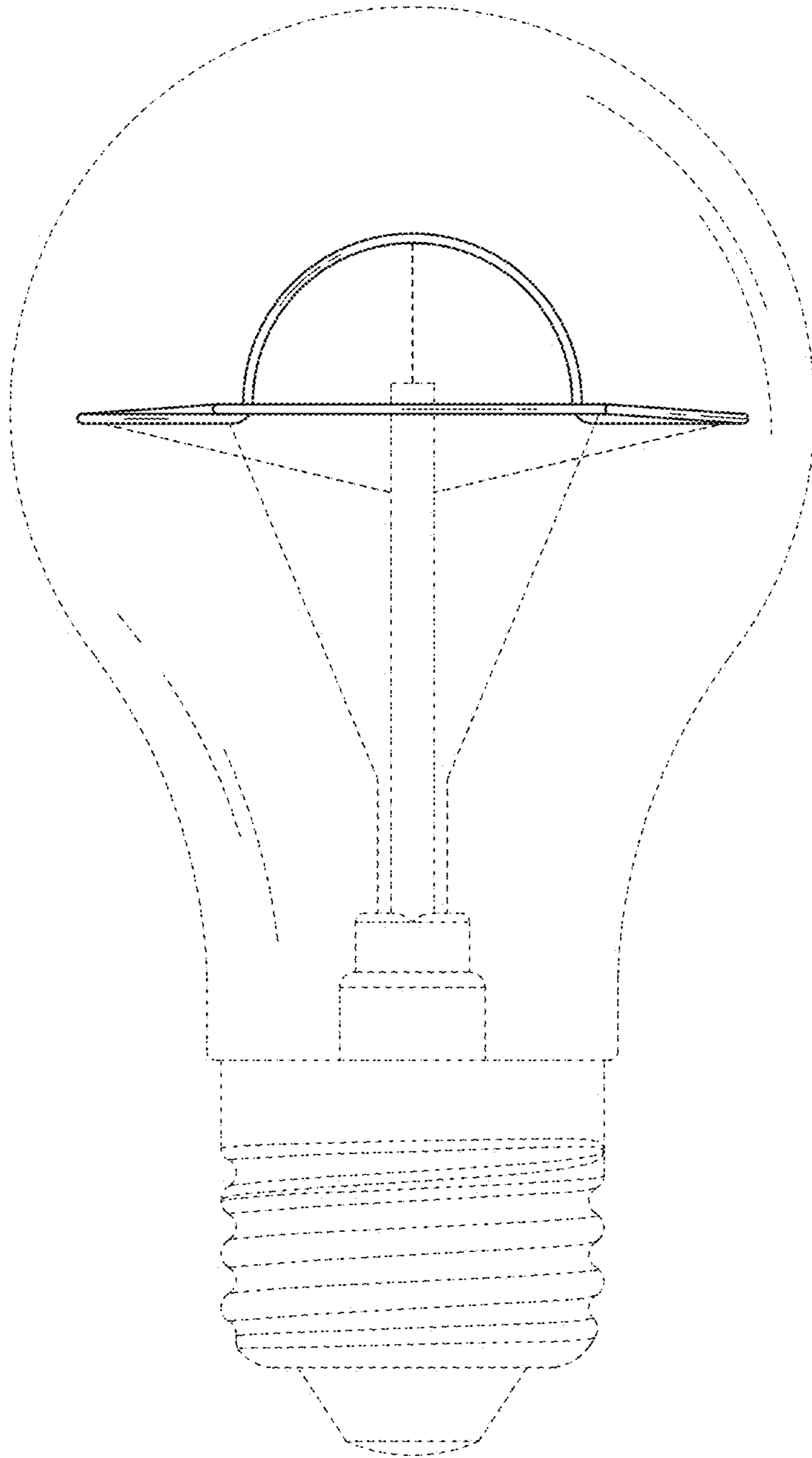


FIG. 100

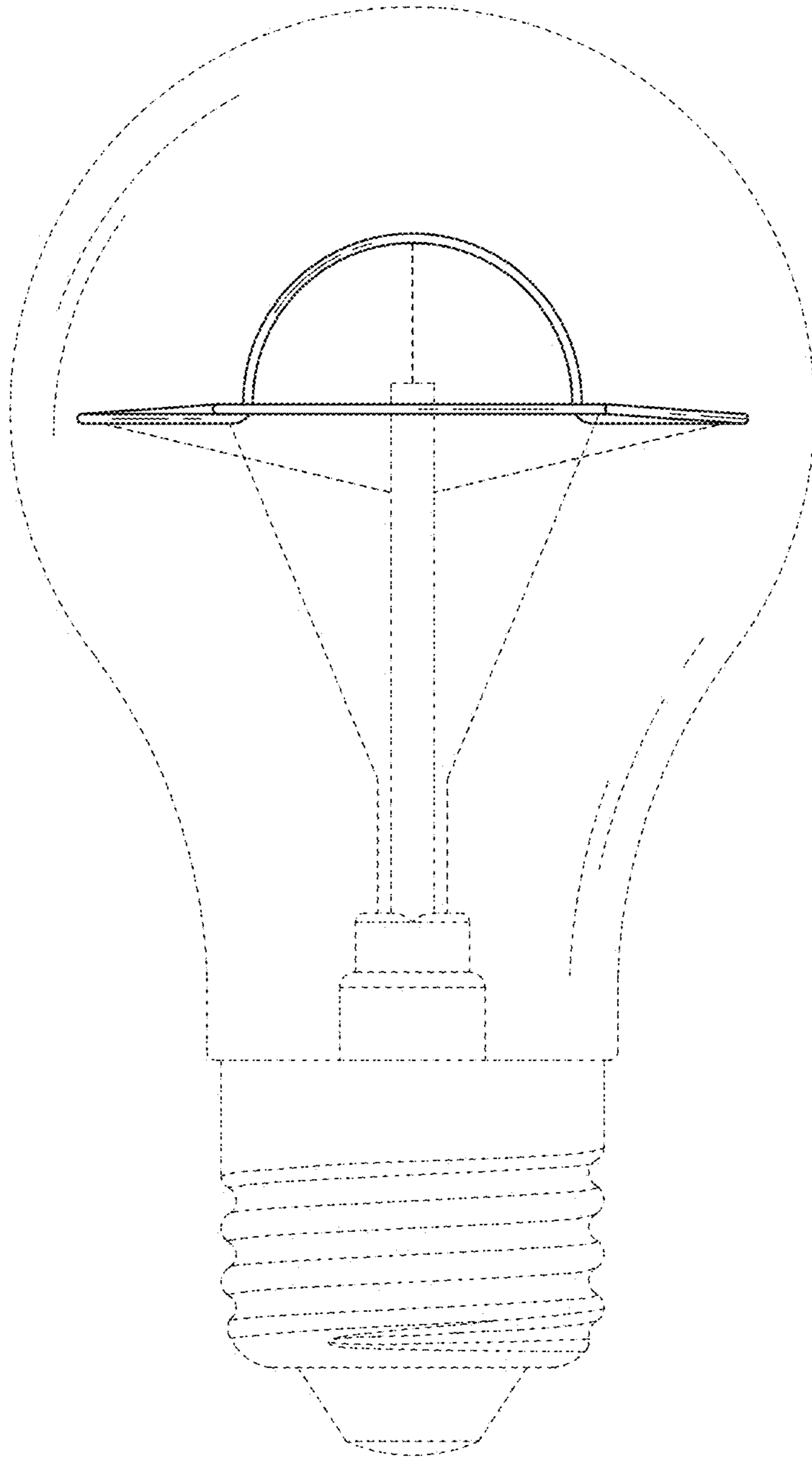


FIG. 101

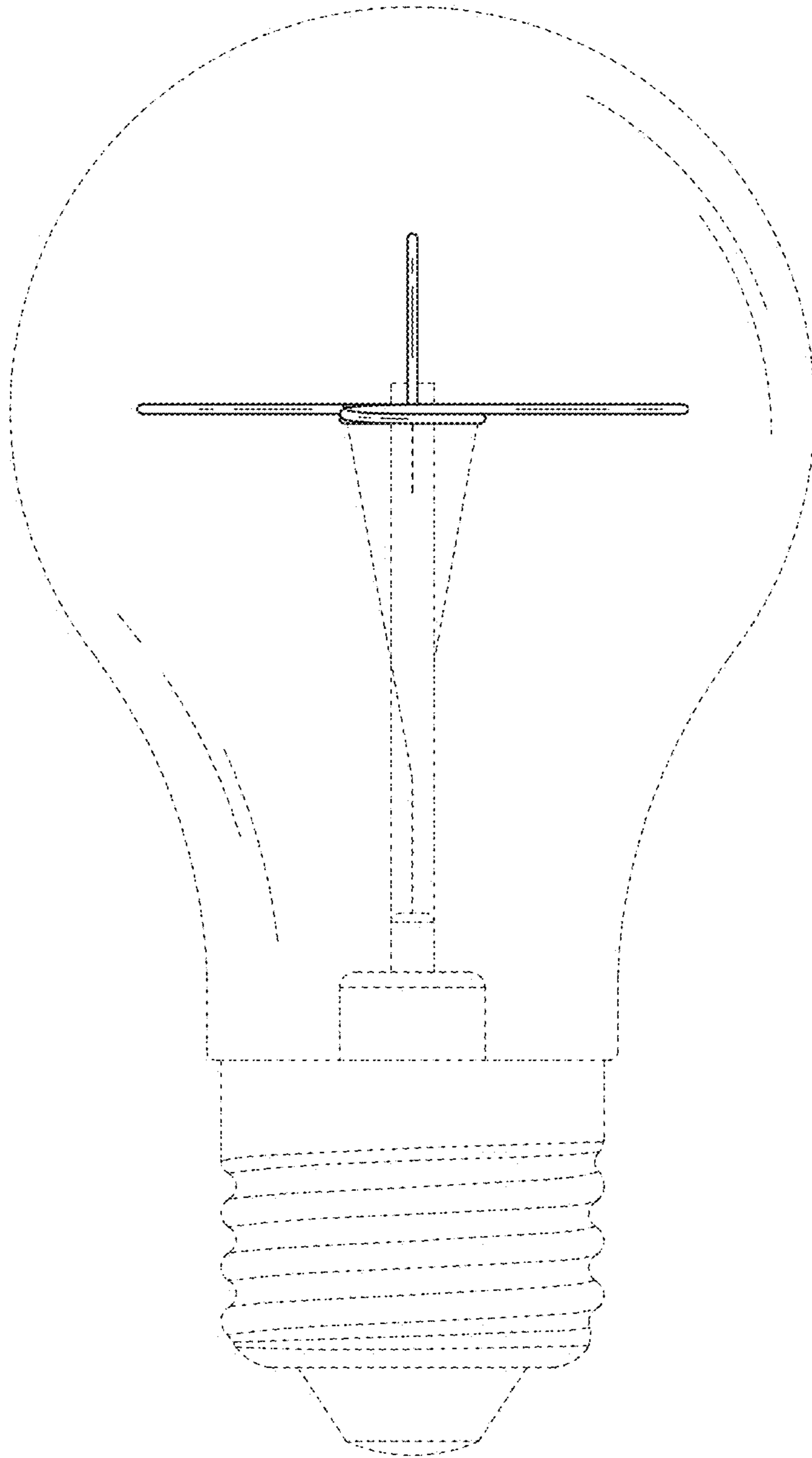


FIG. 102

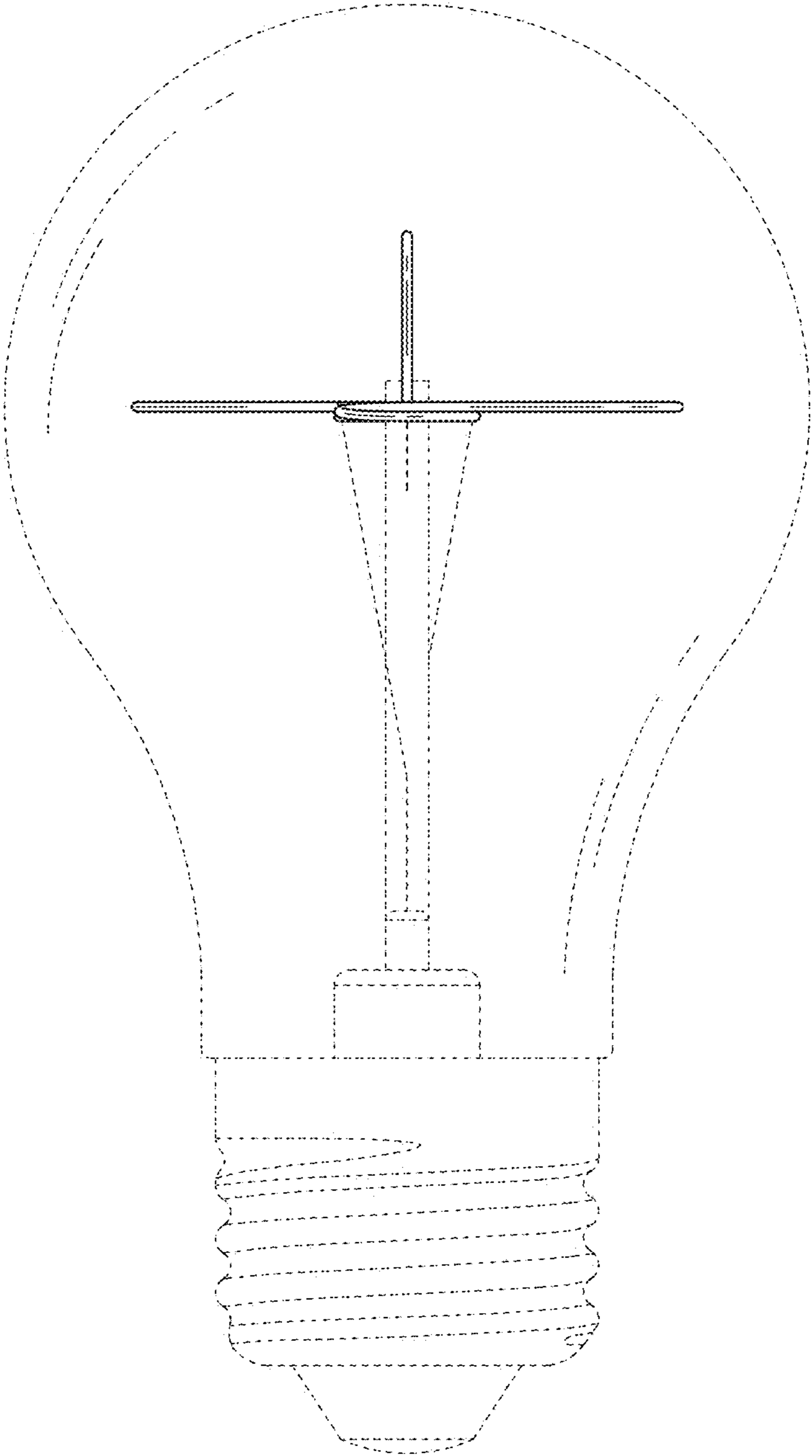


FIG. 103

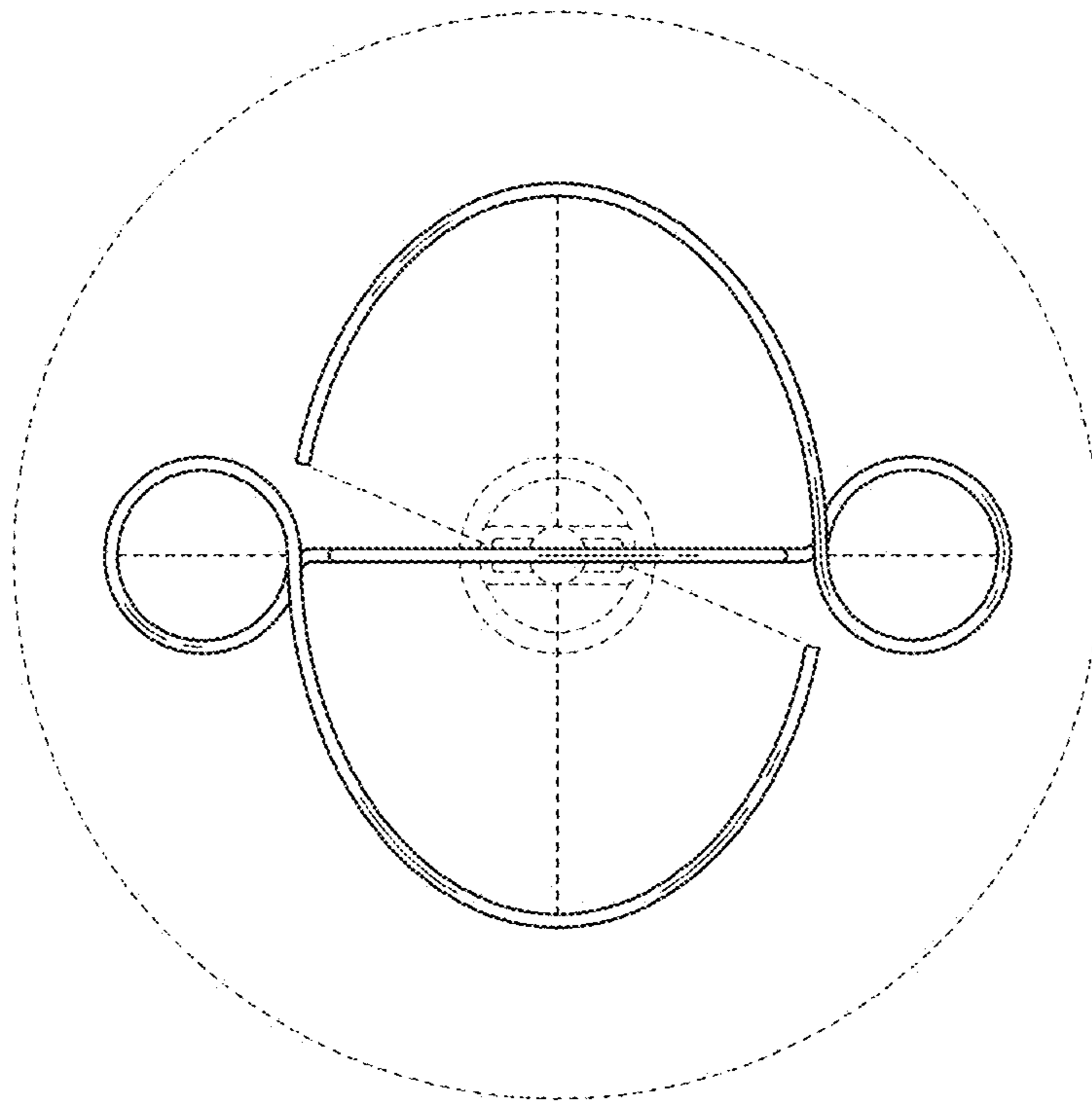


FIG. 104

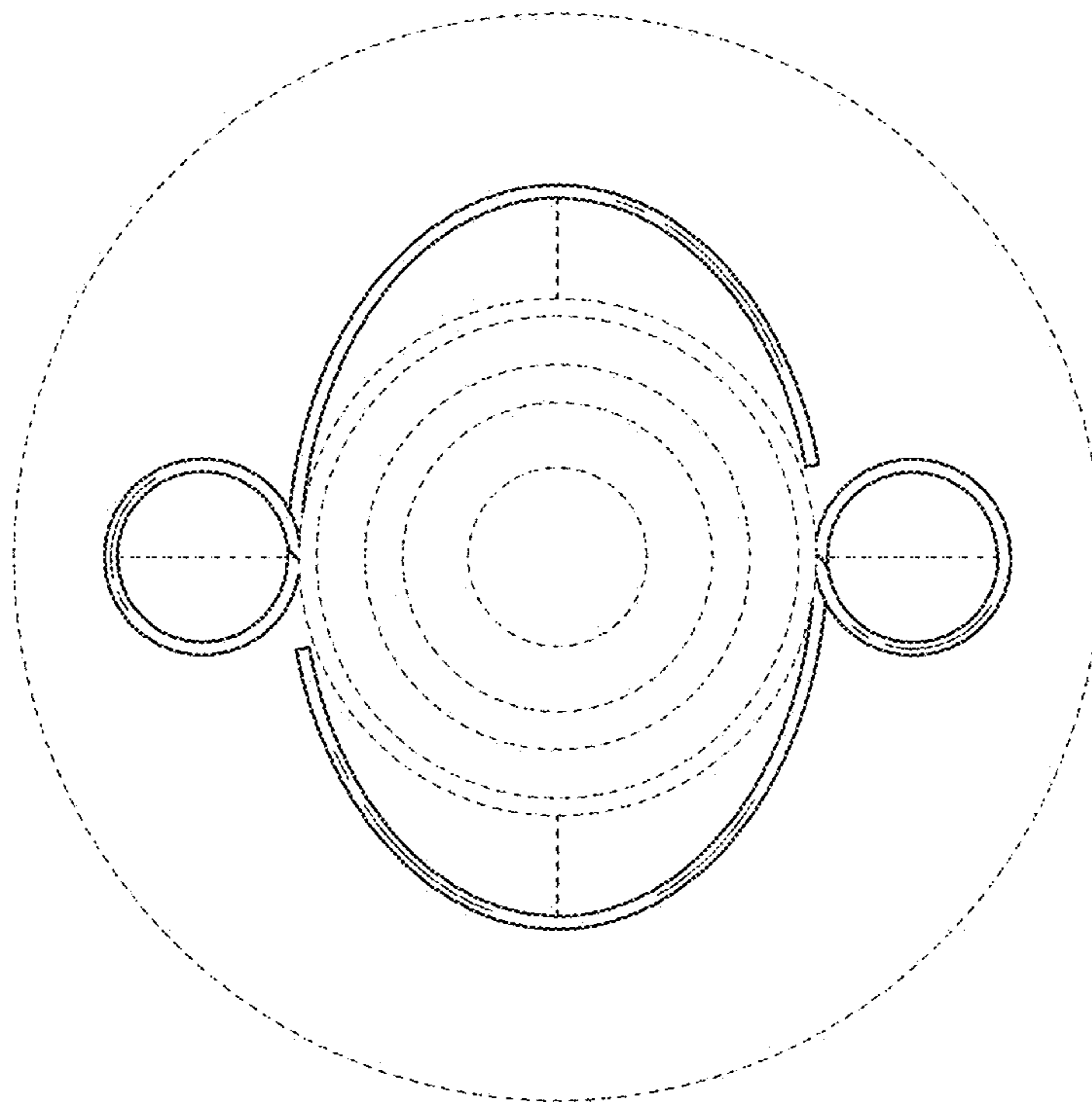


FIG. 105

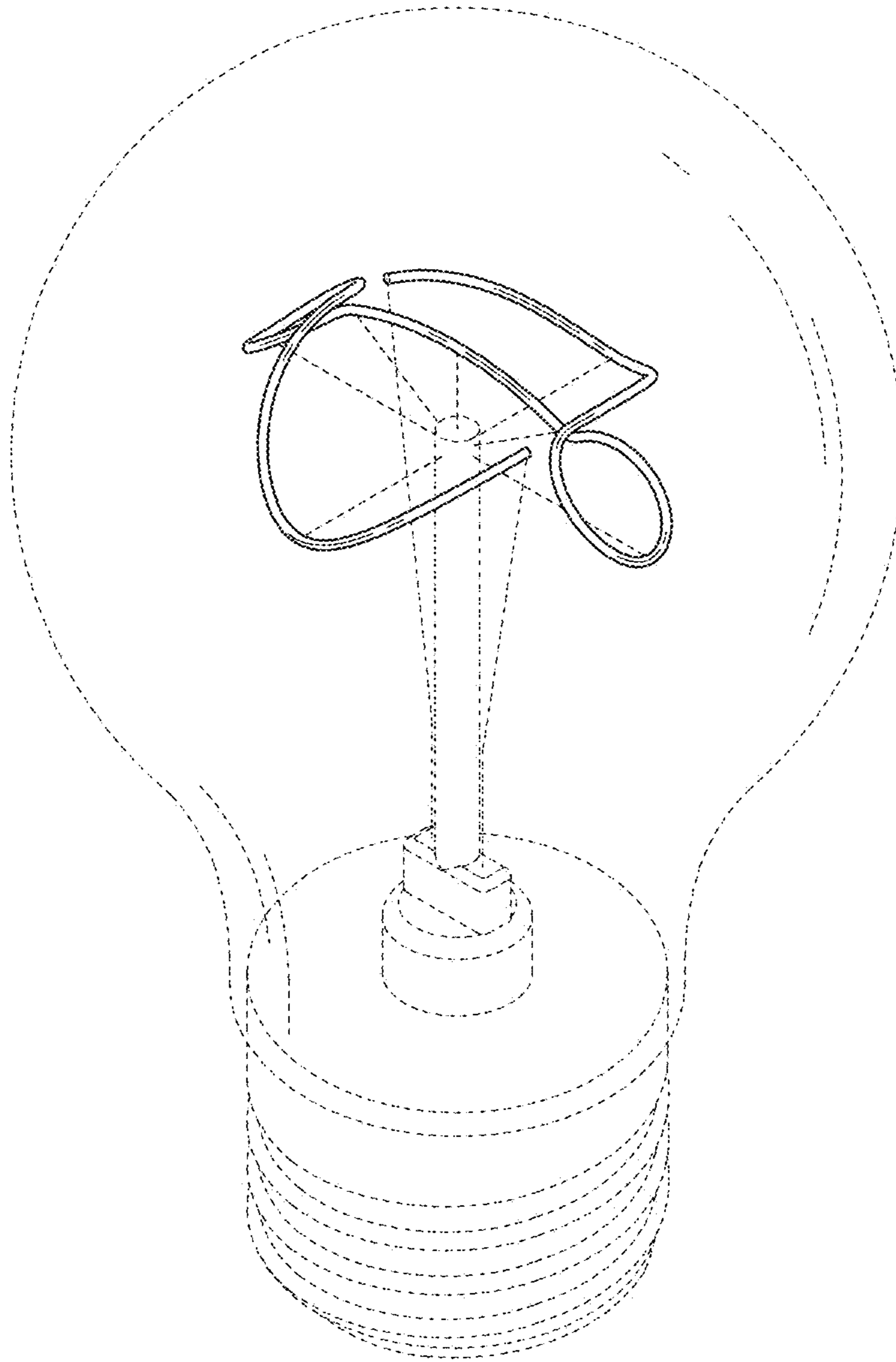


FIG. 106

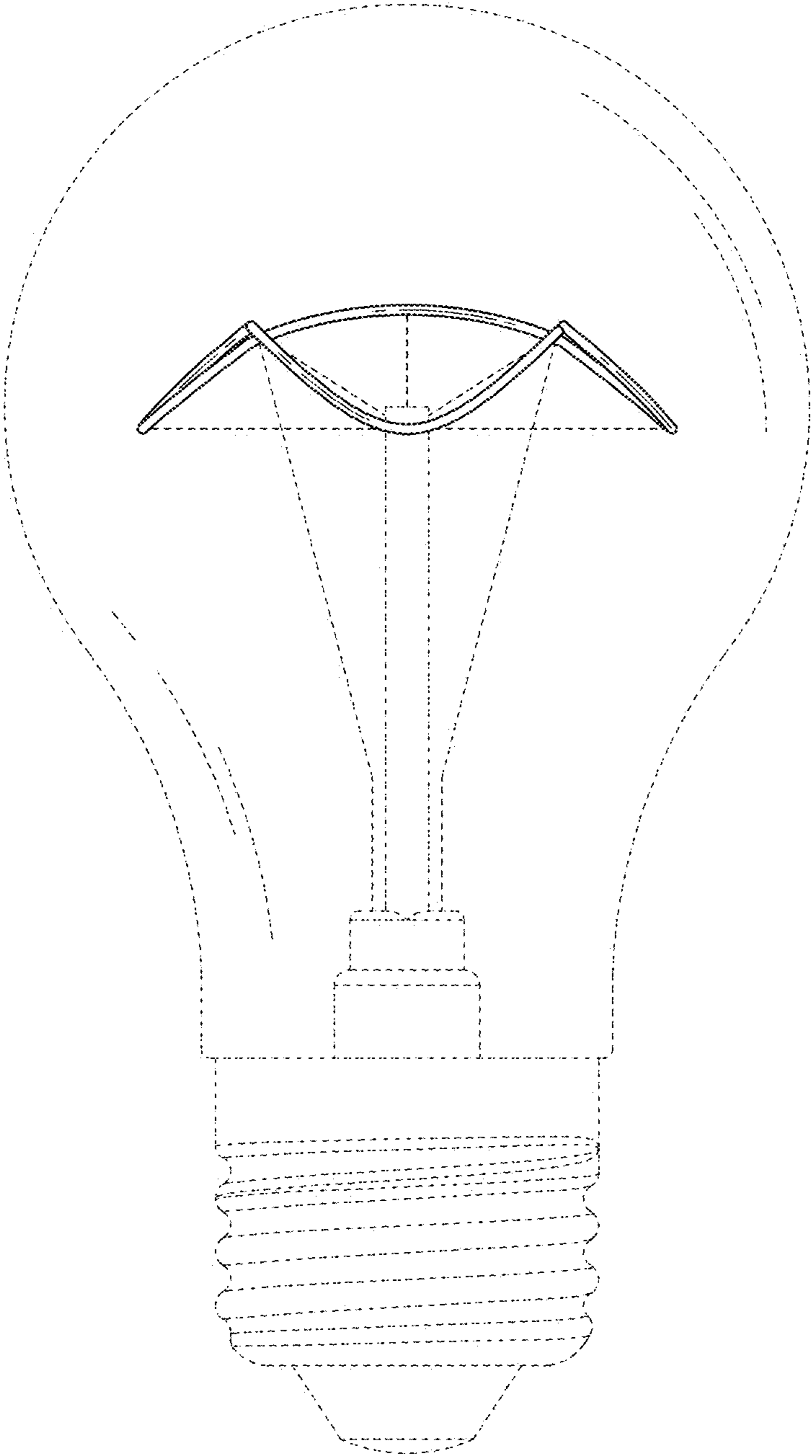


FIG. 107

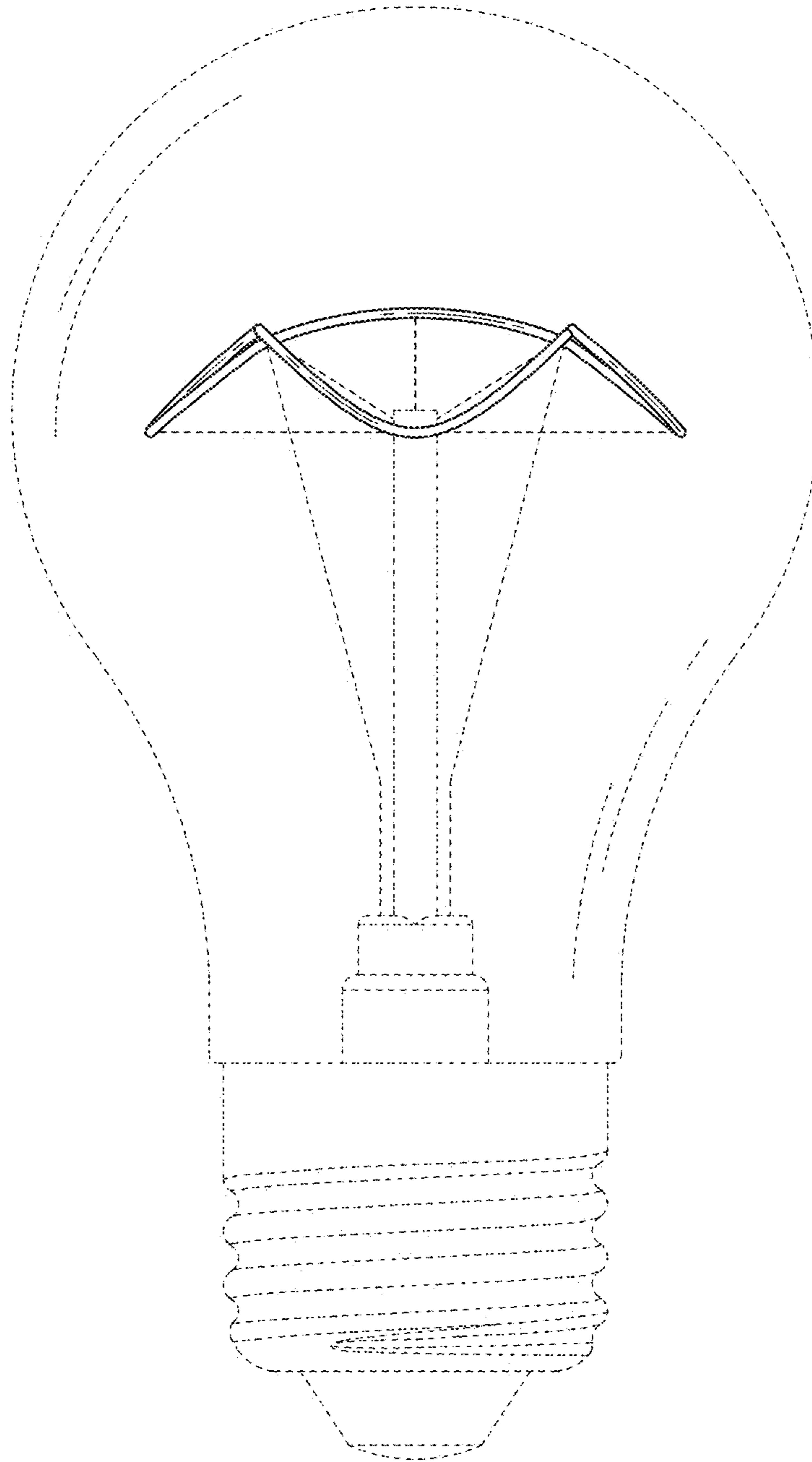


FIG. 108

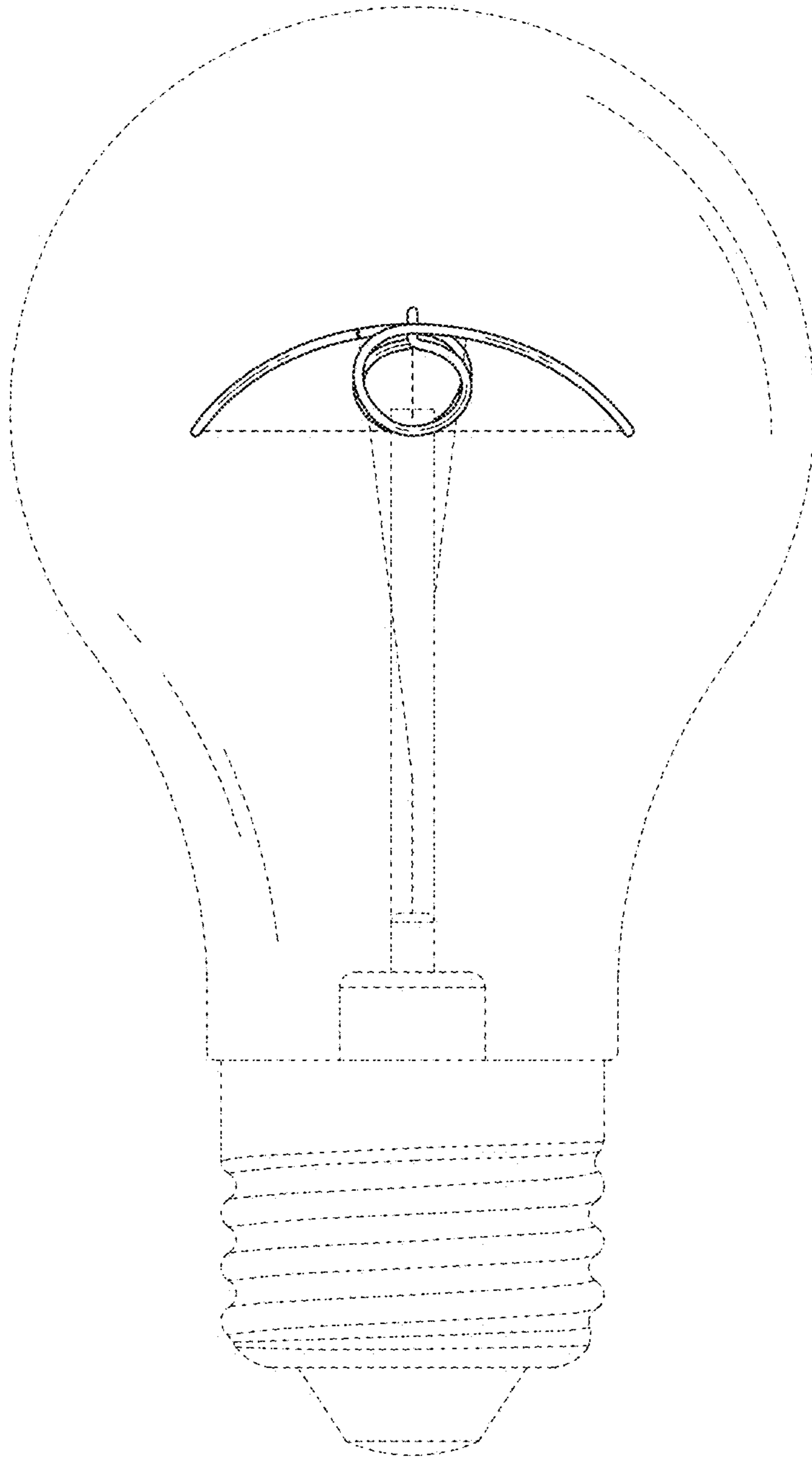


FIG. 109

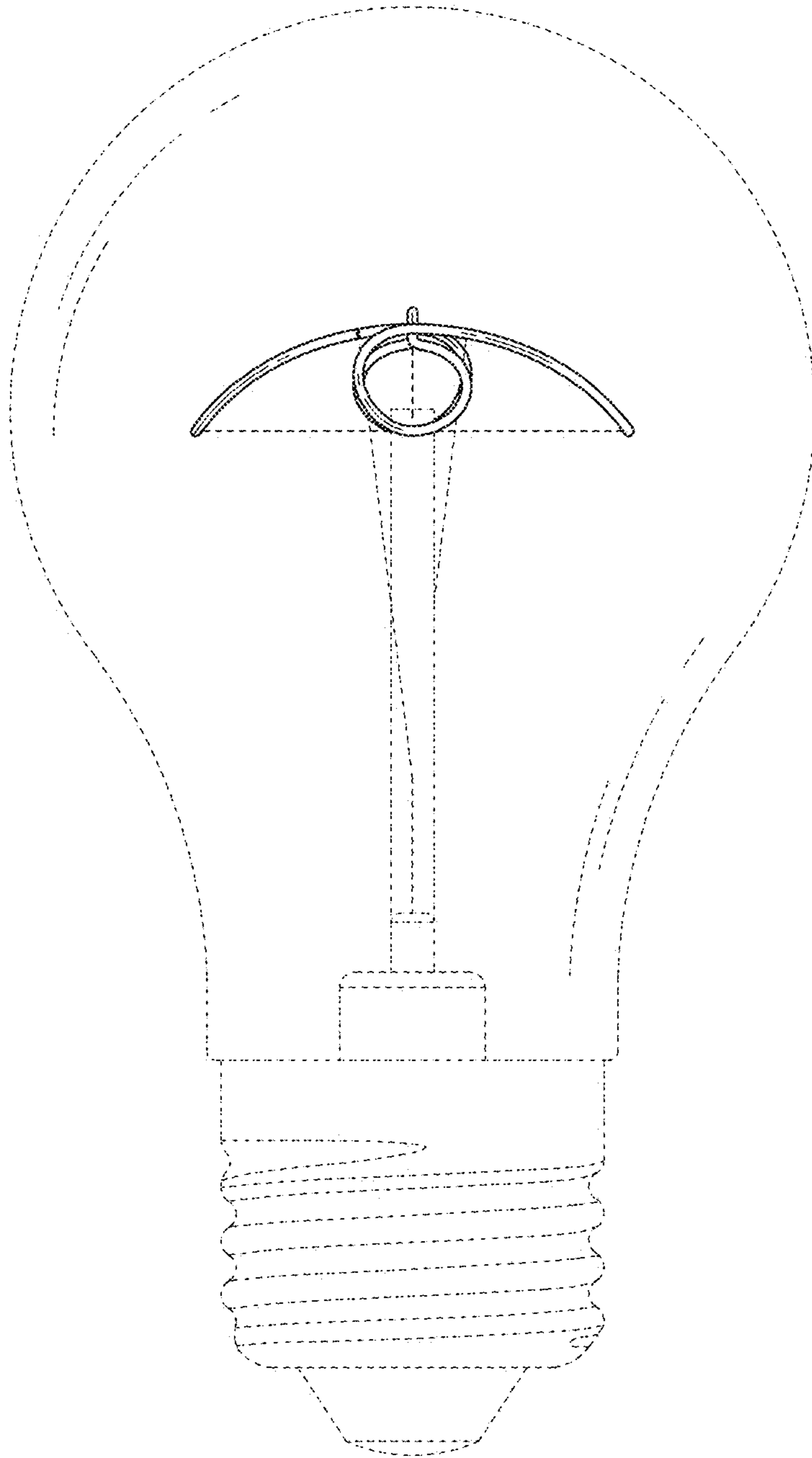


FIG. 110

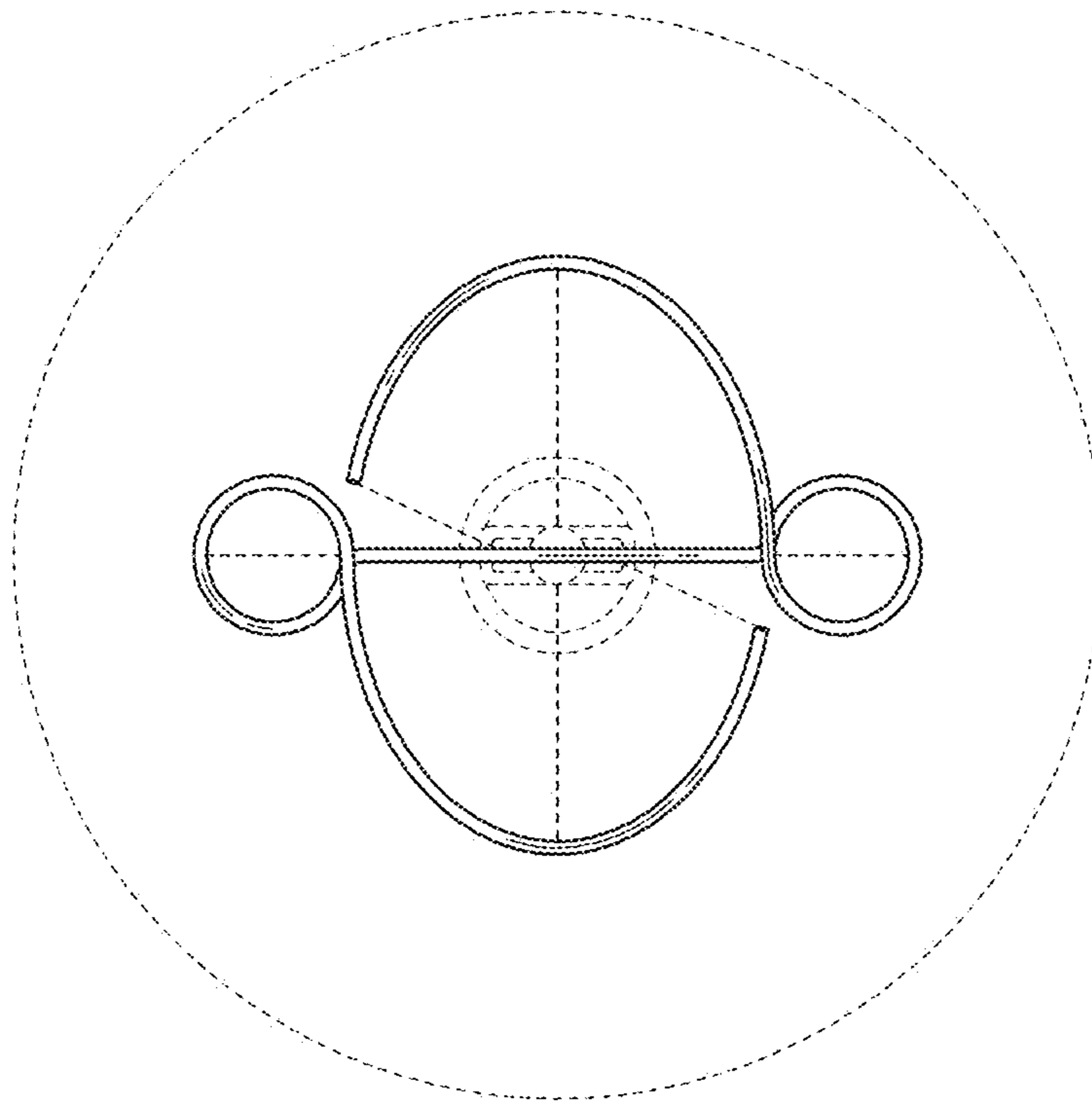


FIG. 111

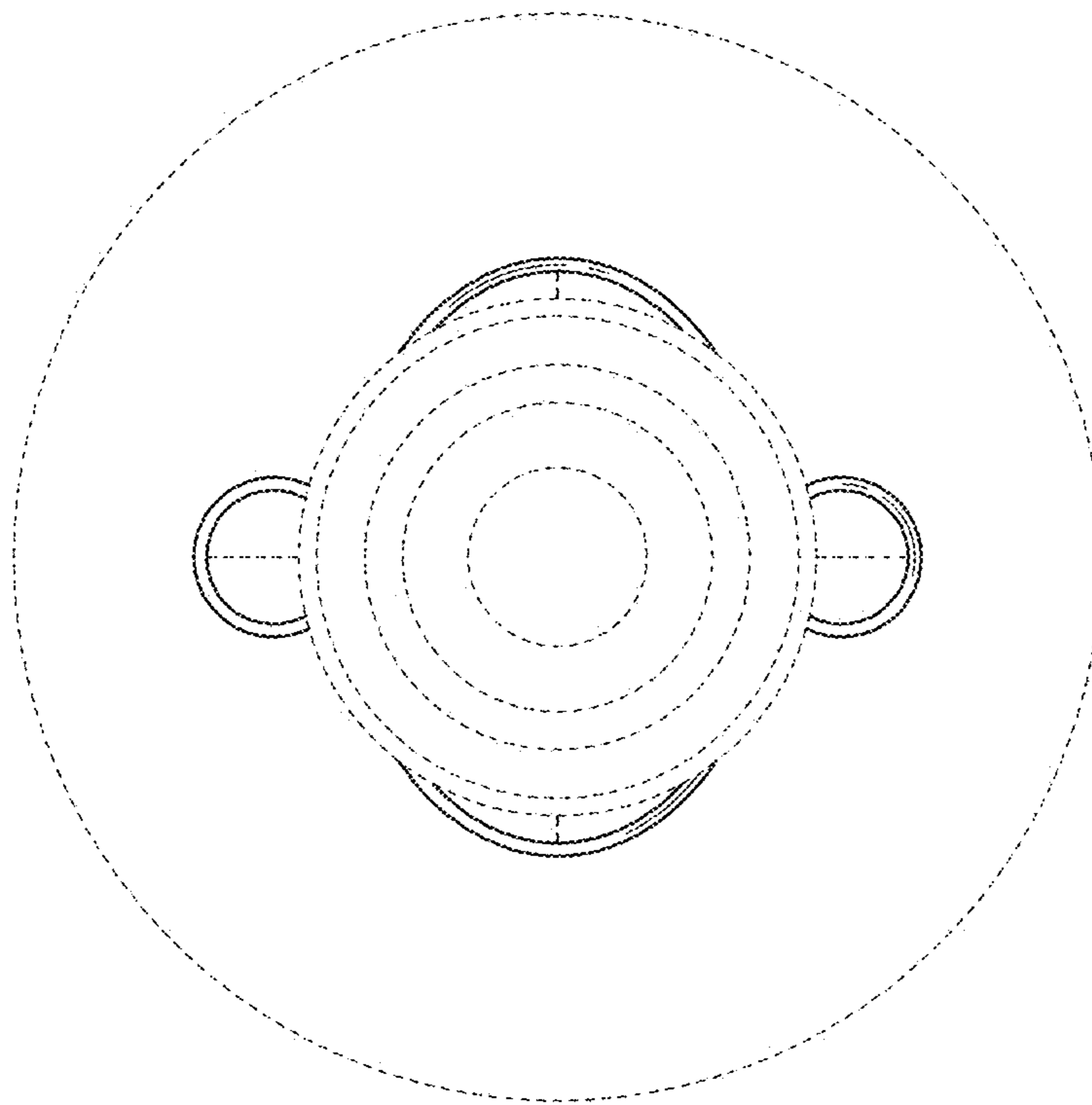


FIG. 112

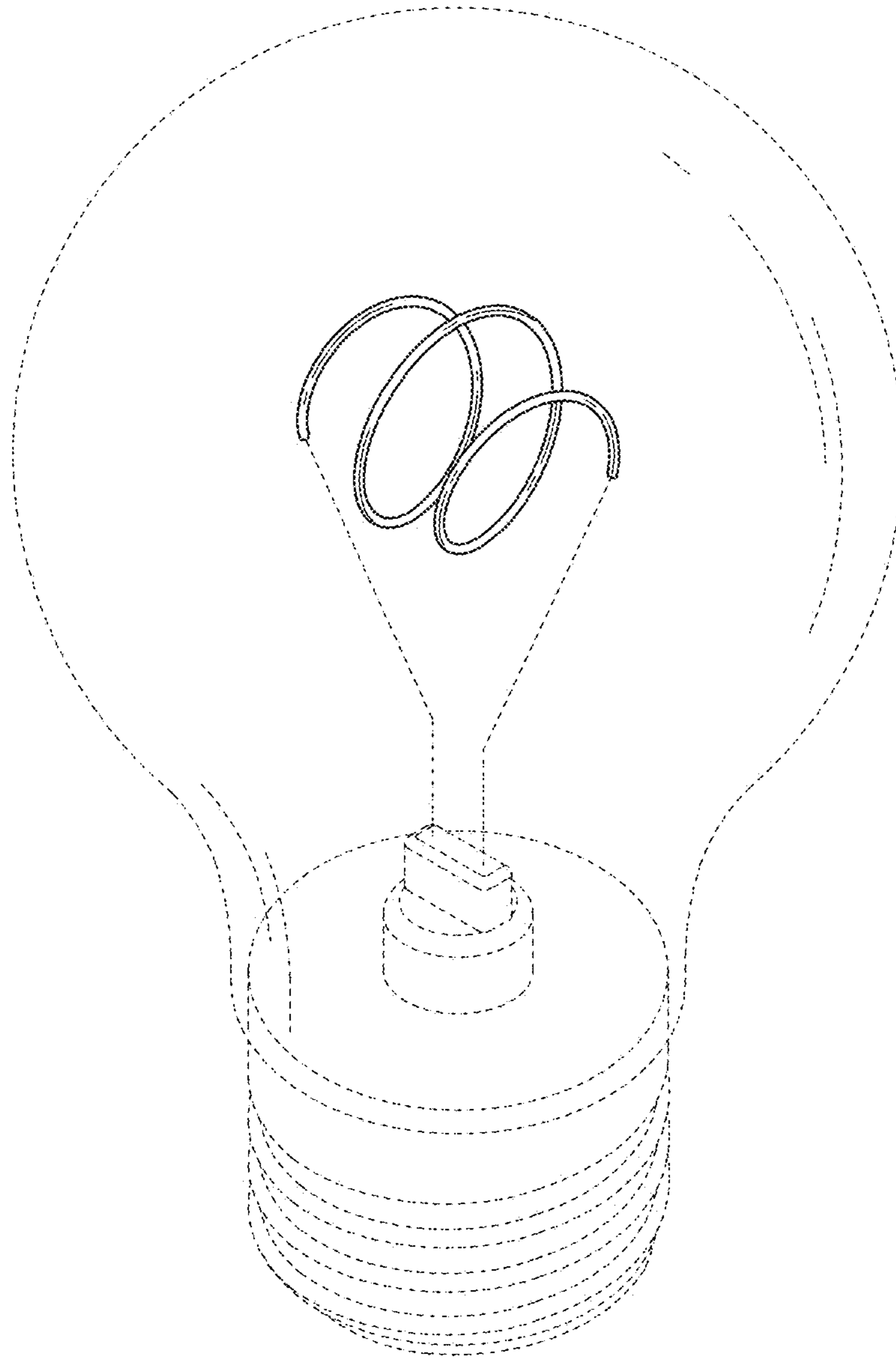


FIG. 113

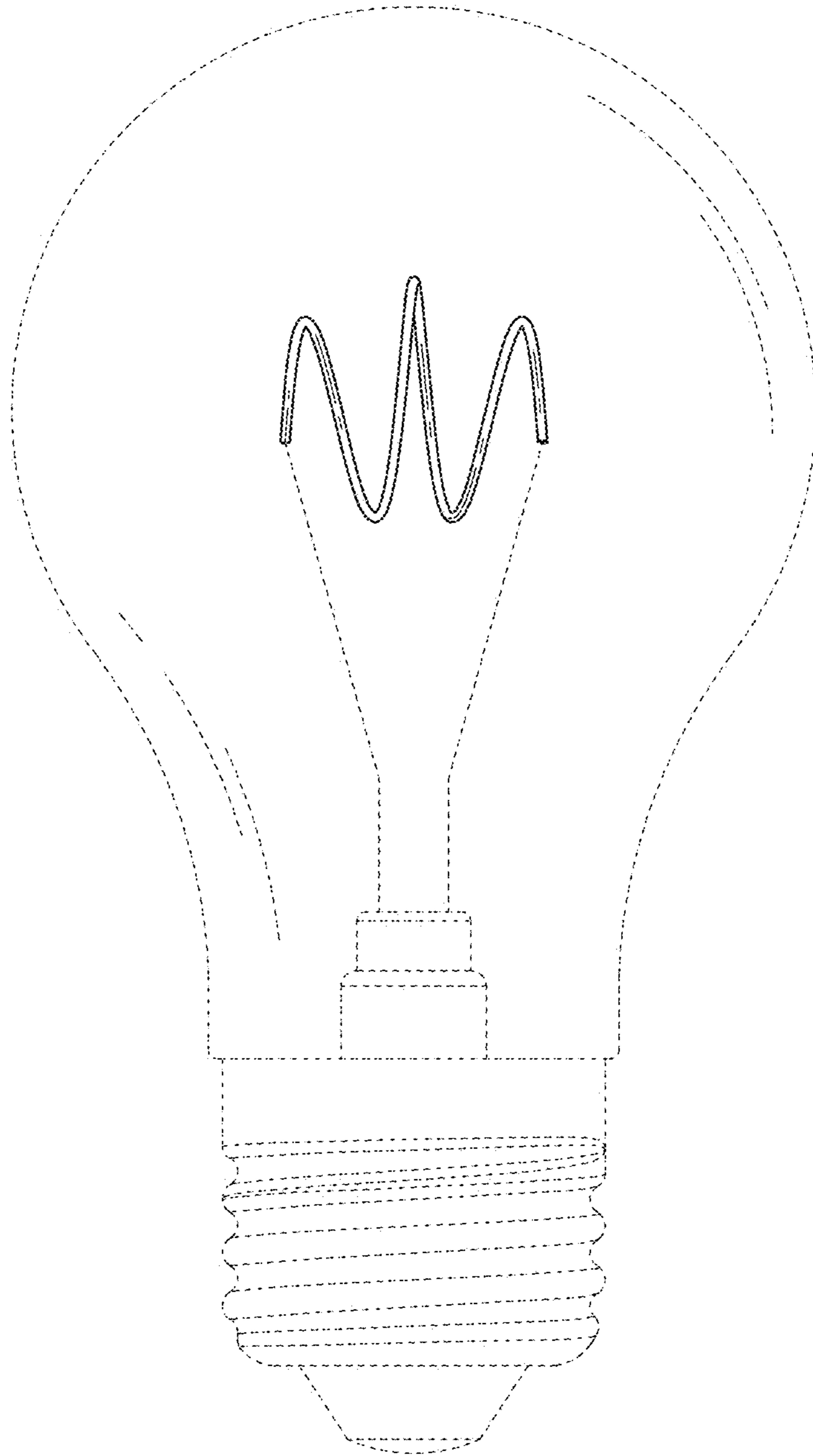


FIG. 114

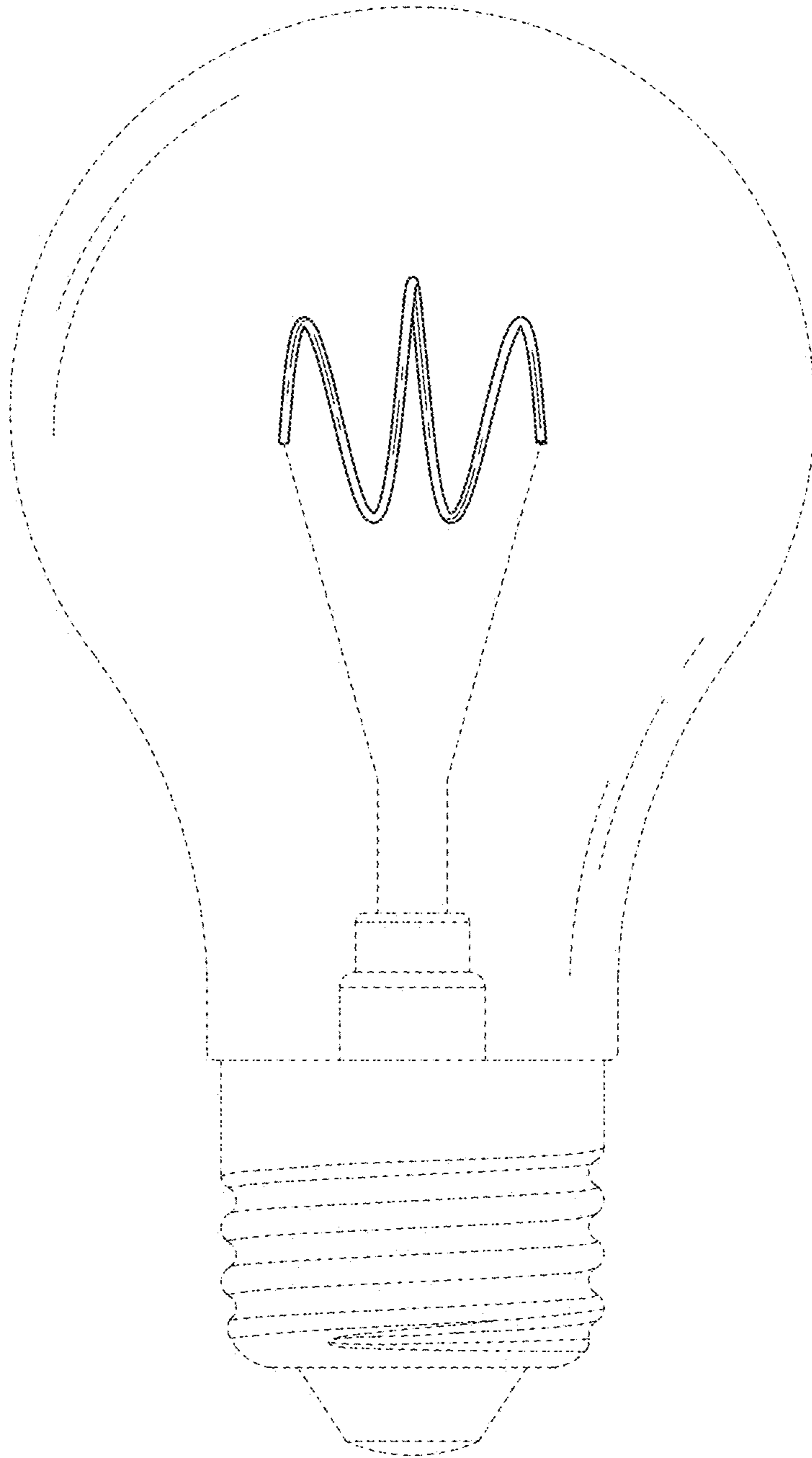


FIG. 115

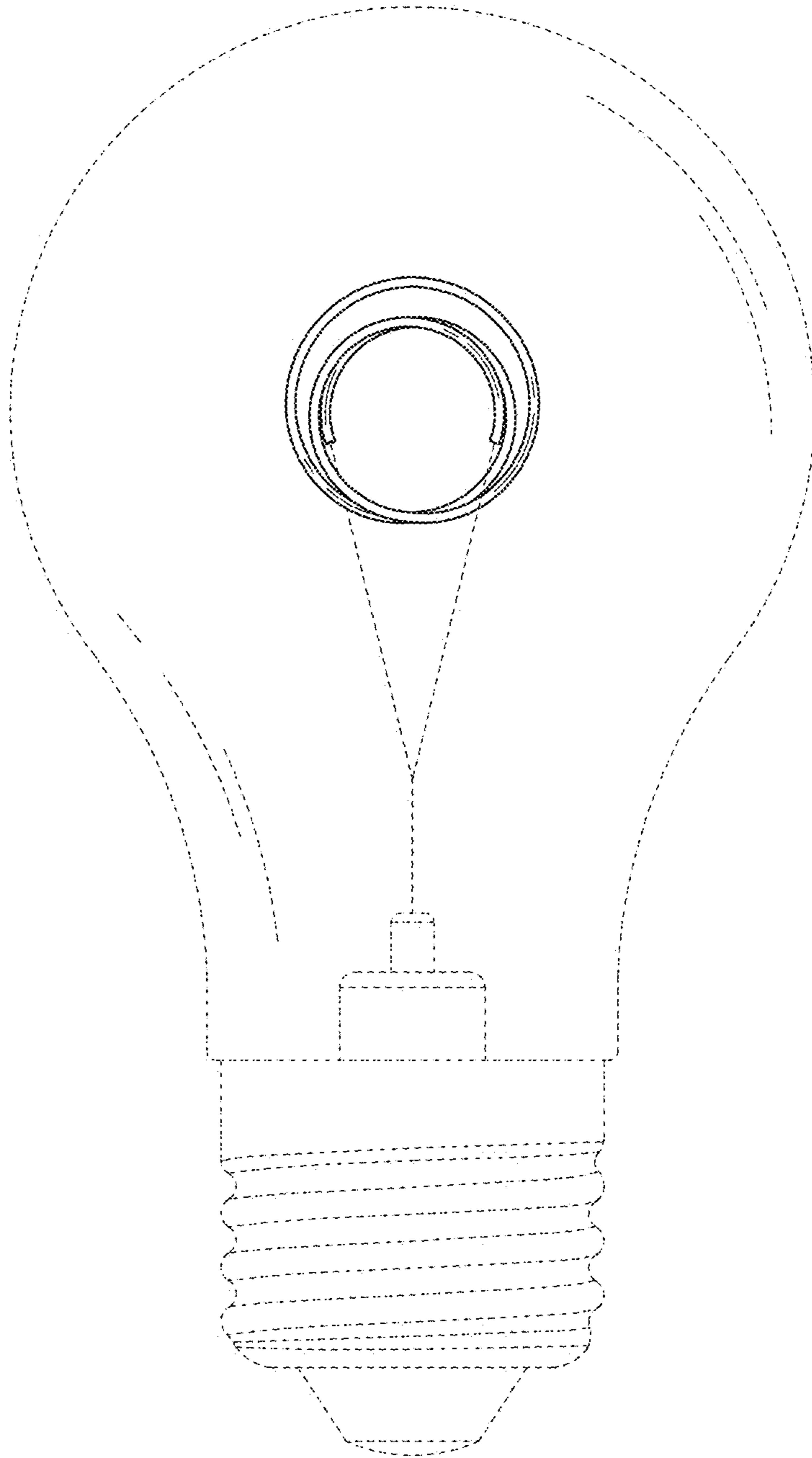


FIG. 116

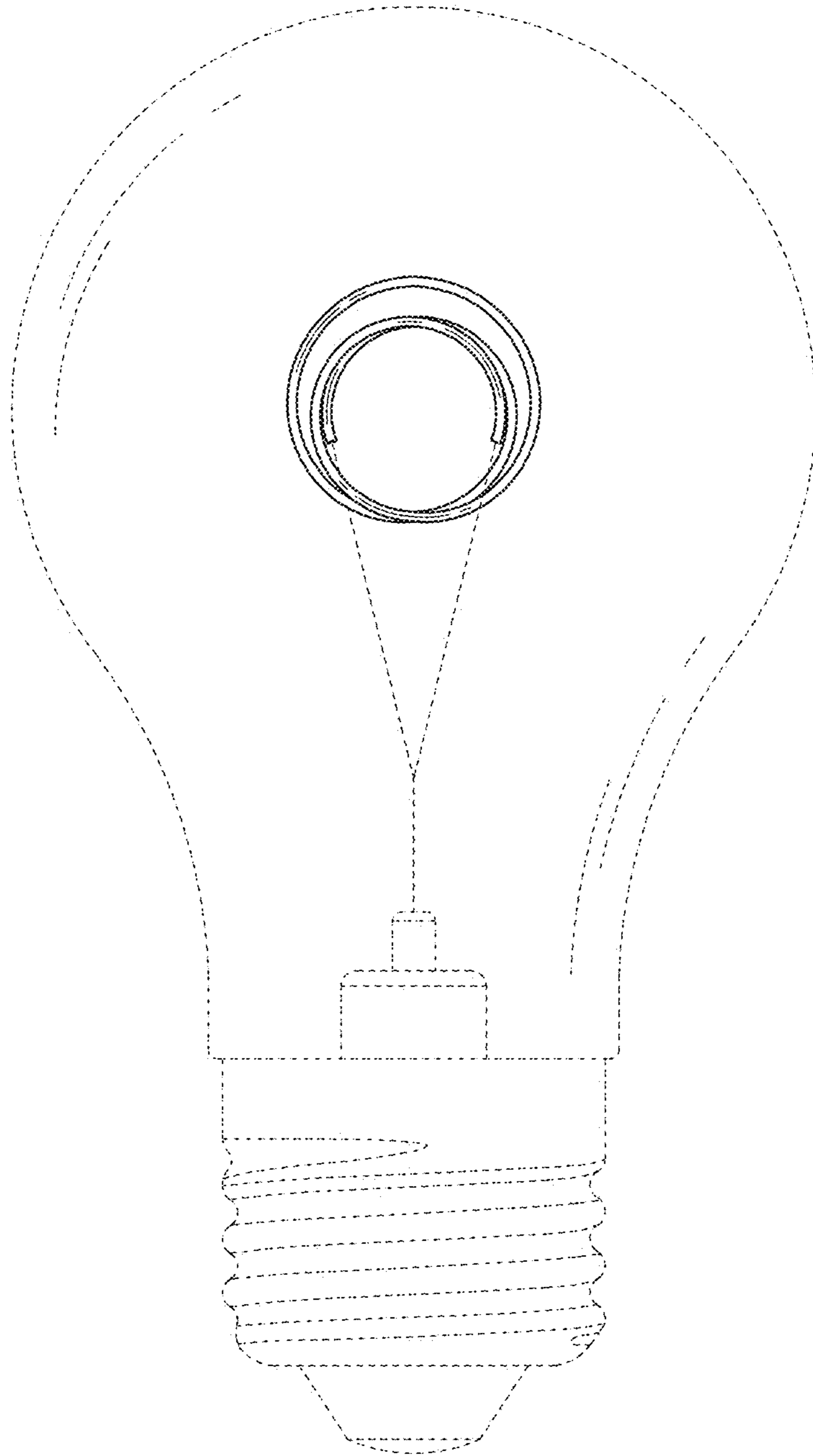


FIG. 117

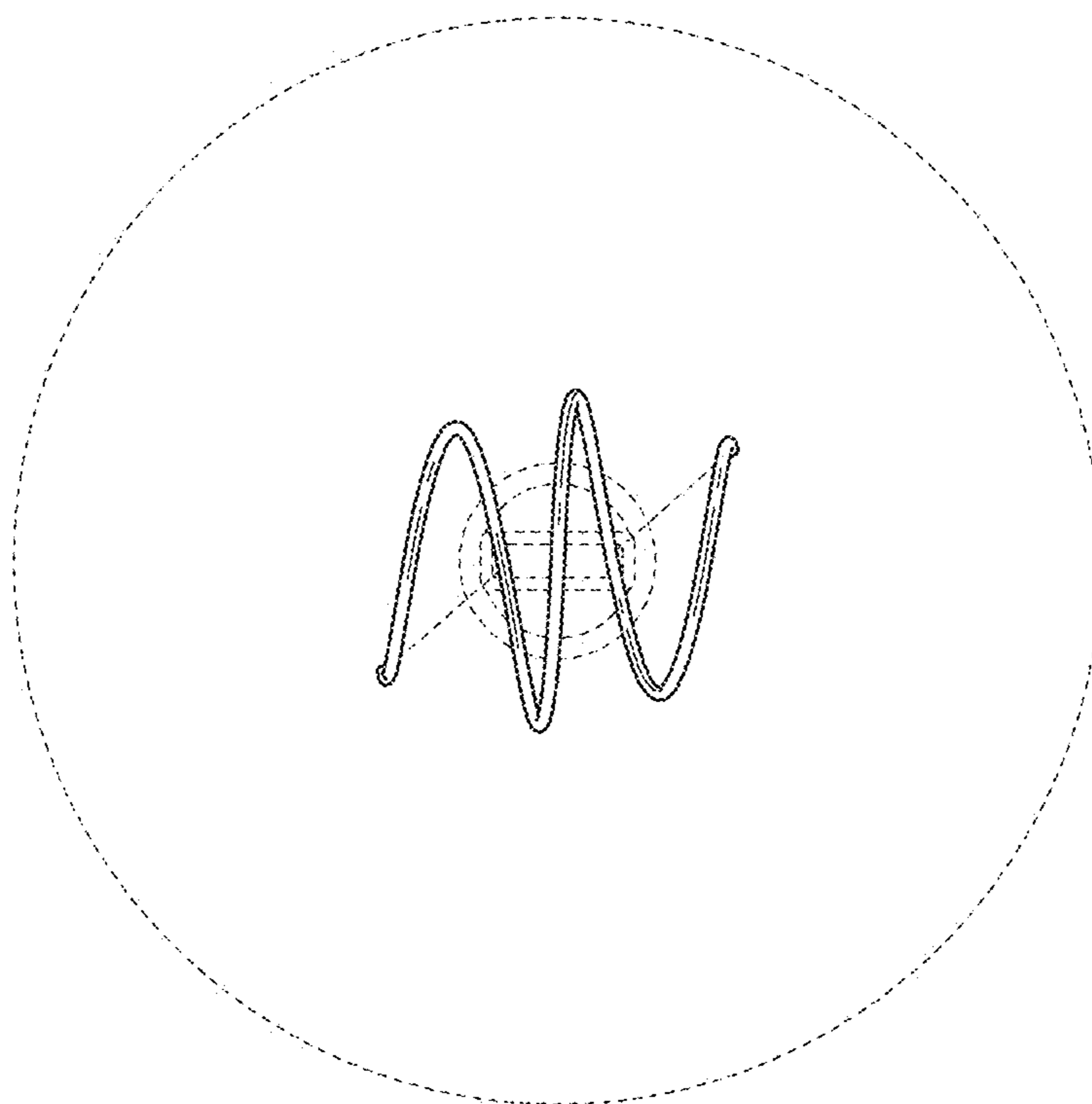


FIG. 118

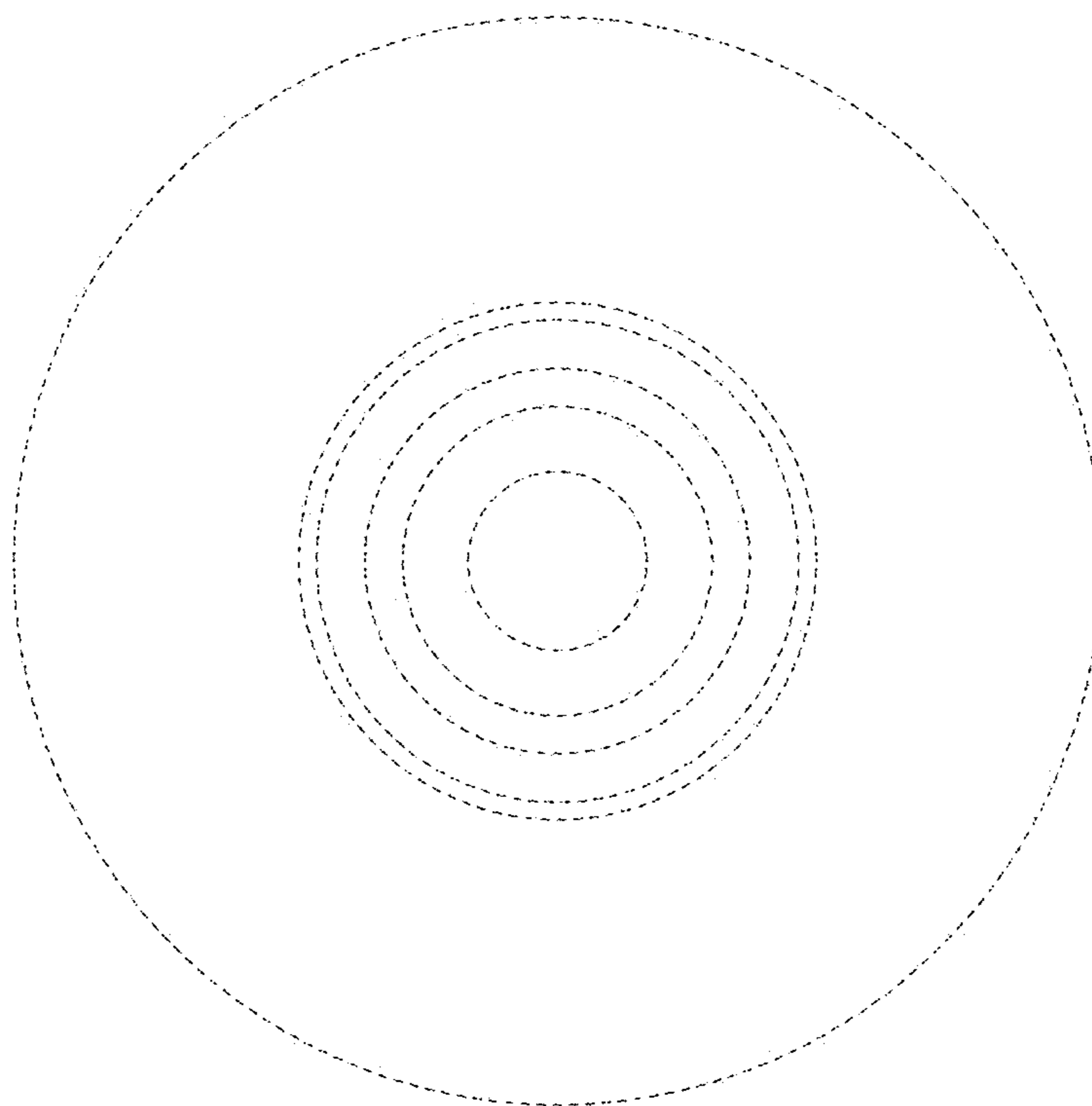


FIG. 119

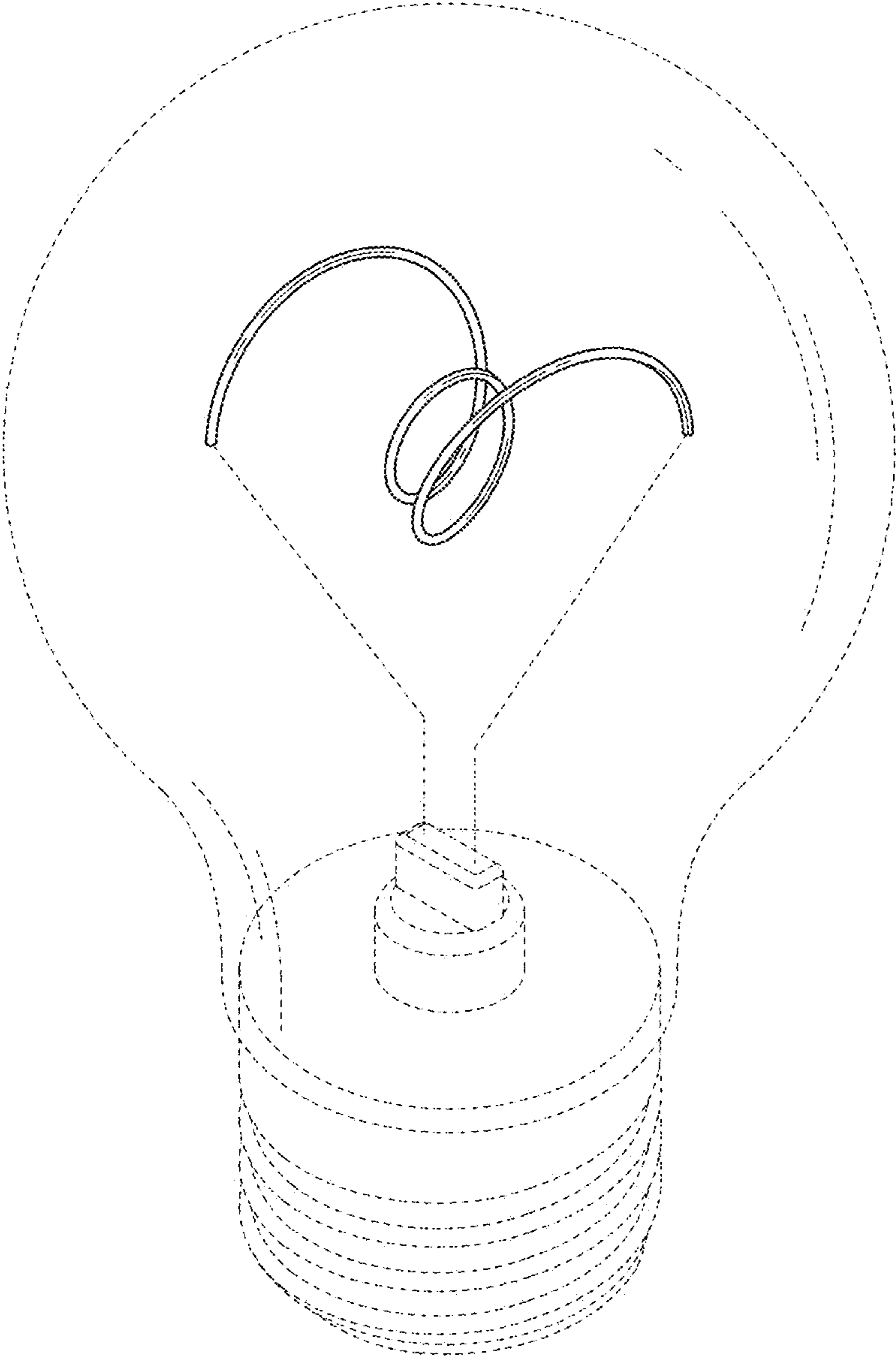


FIG. 120

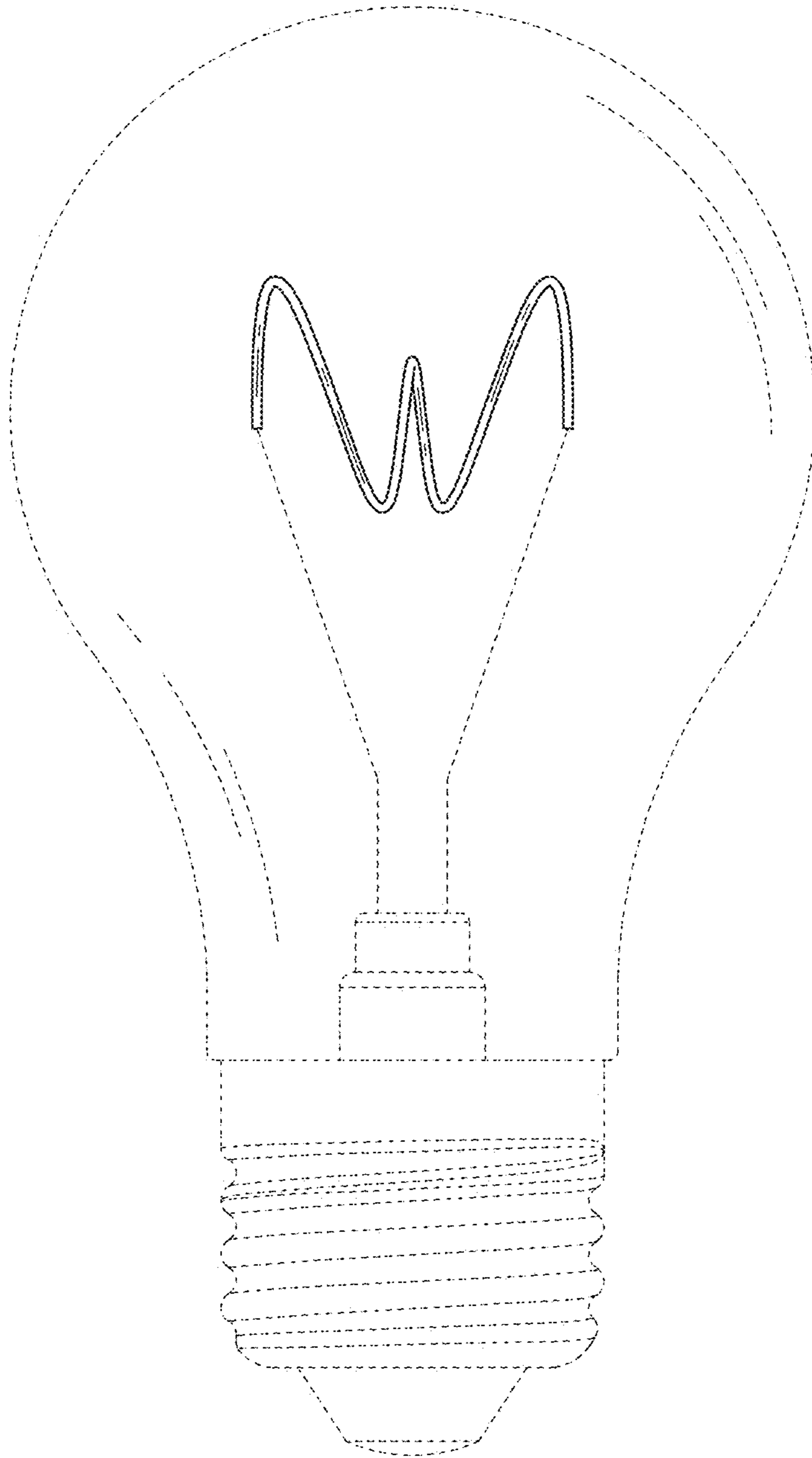


FIG. 121

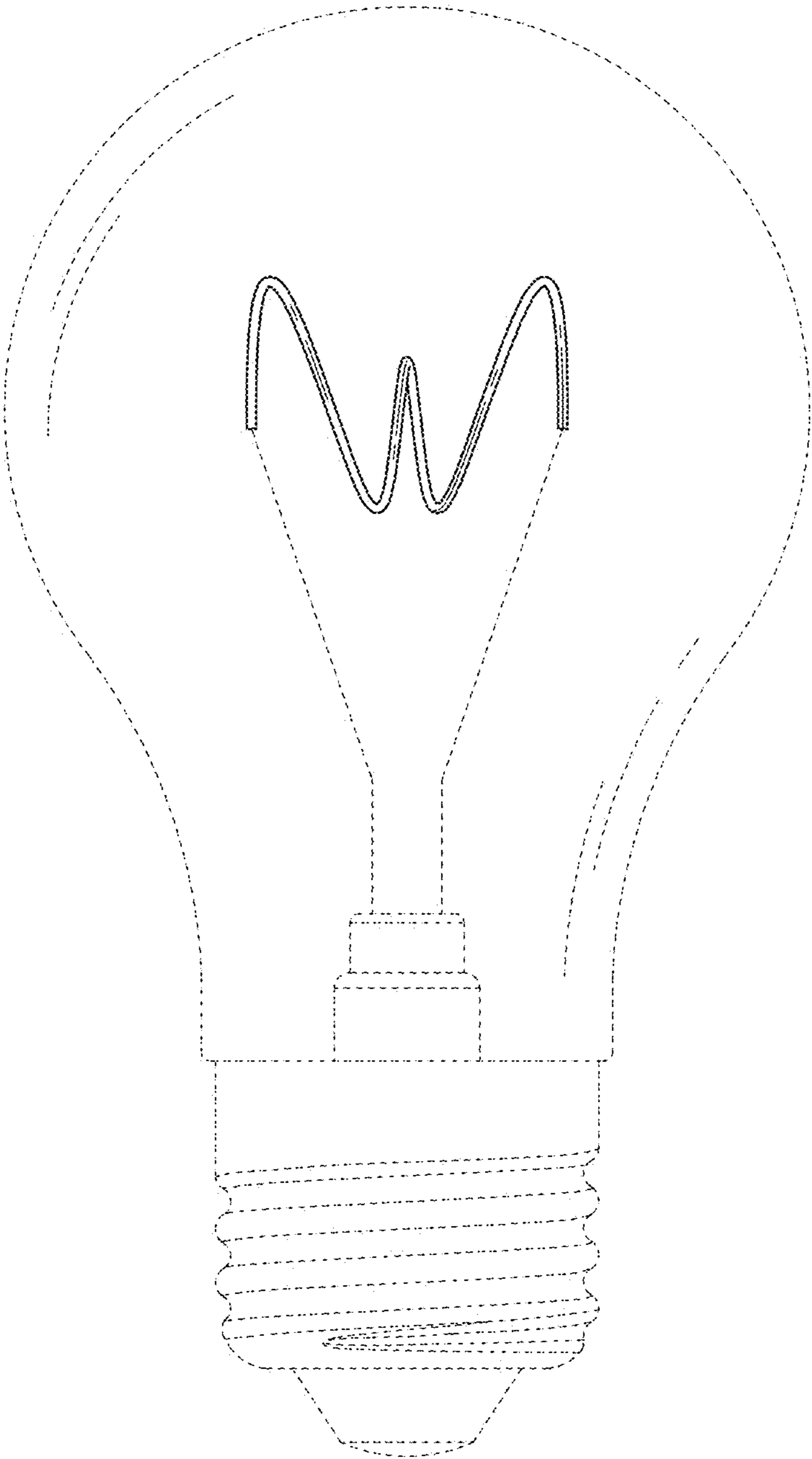


FIG. 122

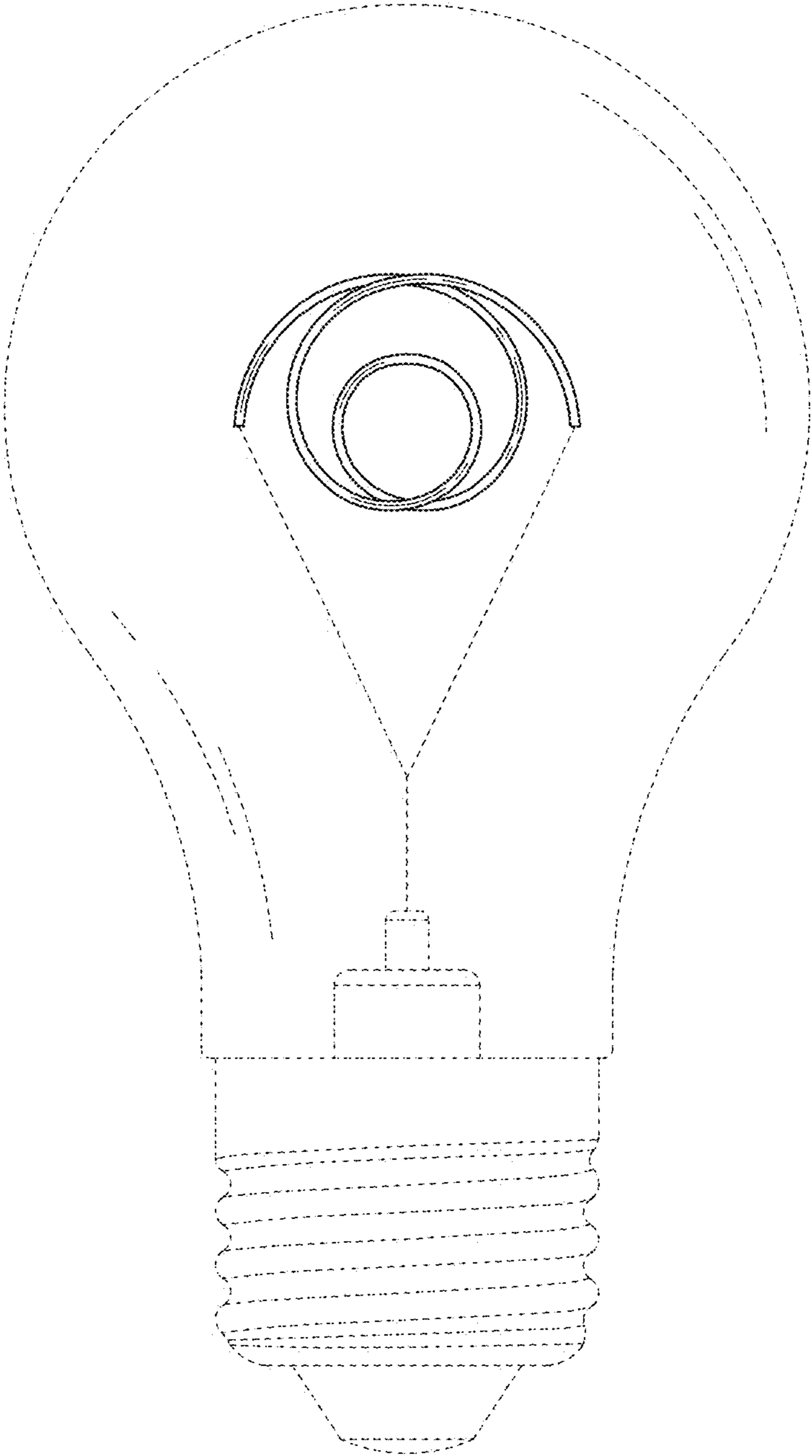


FIG. 123

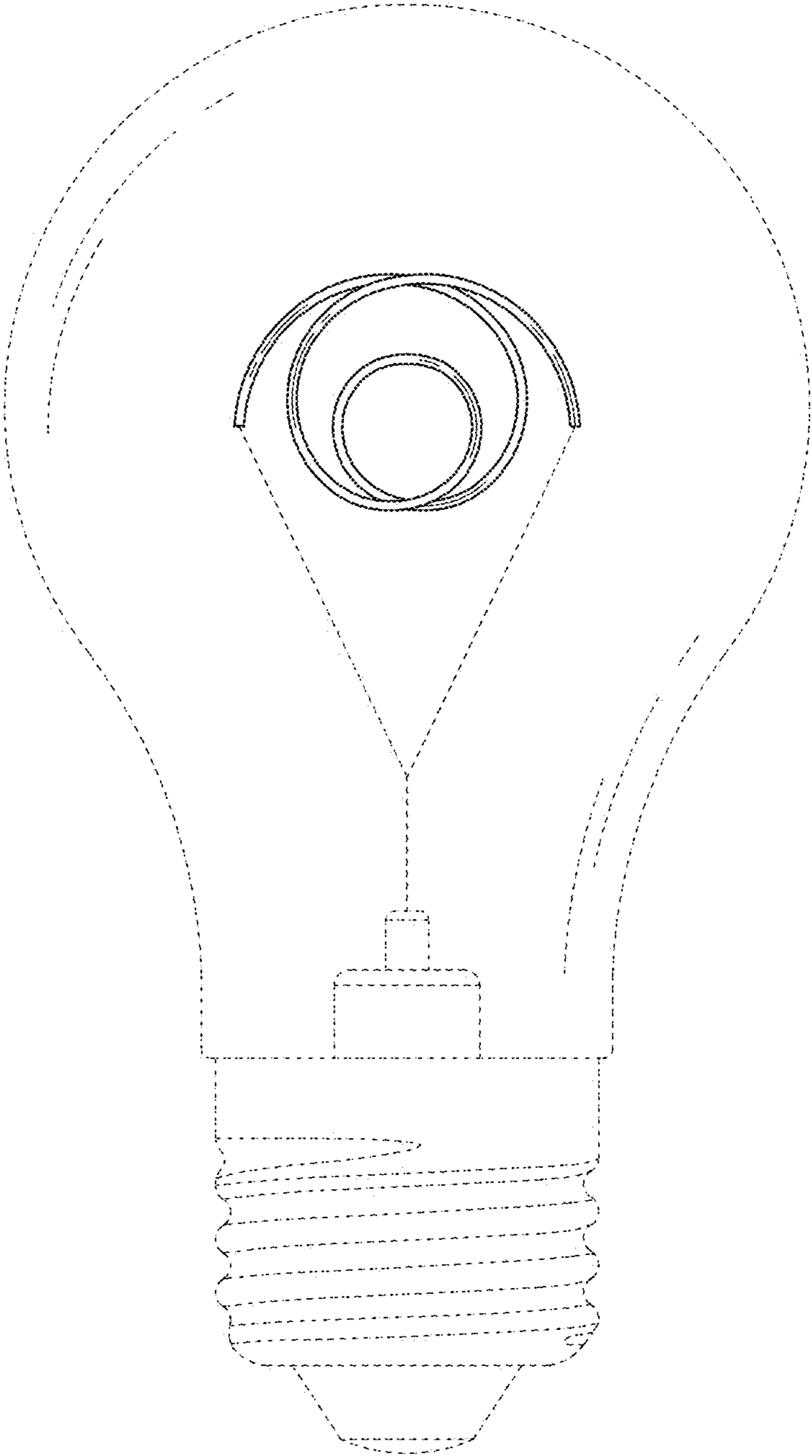


FIG. 124

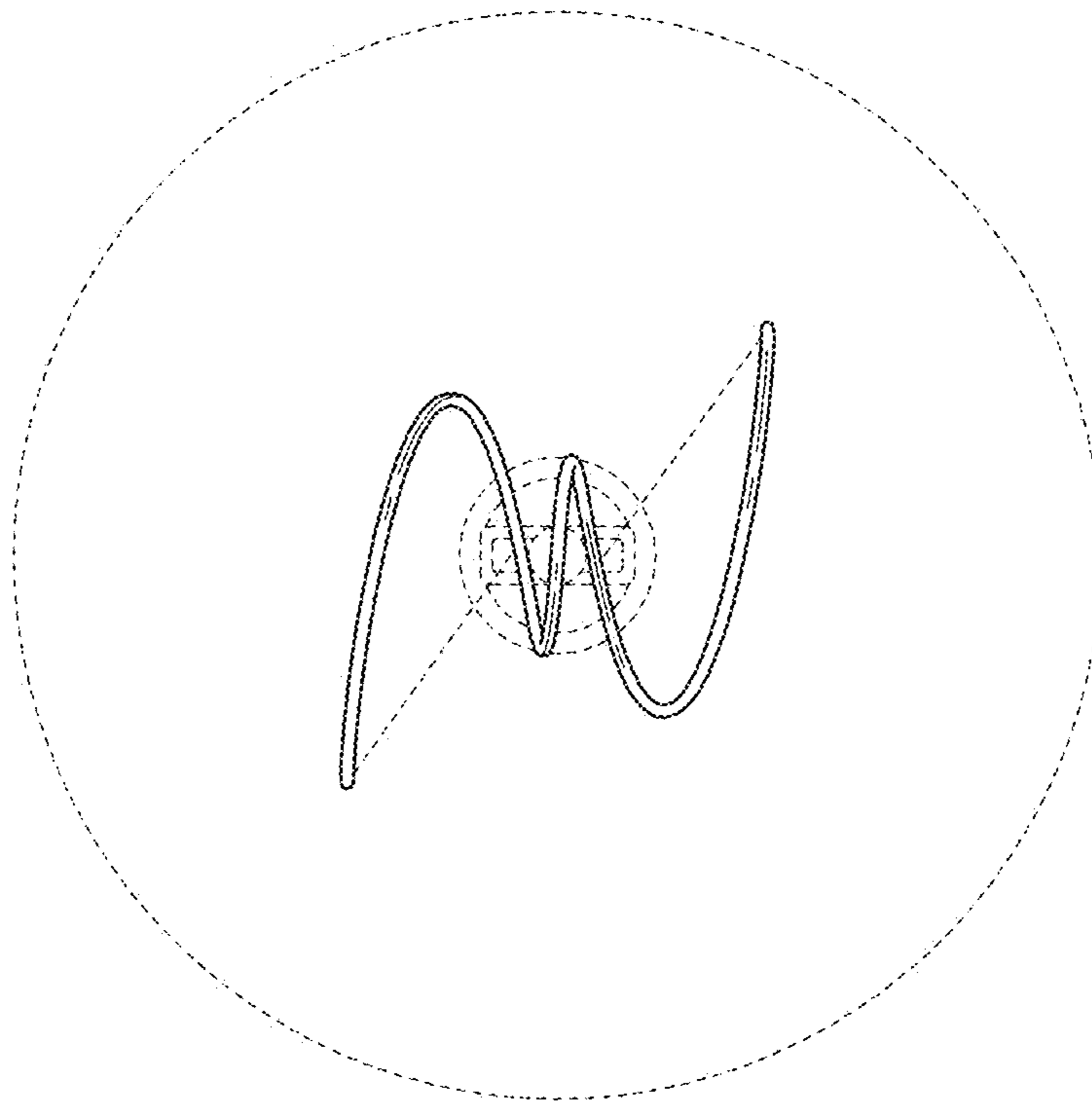


FIG. 125

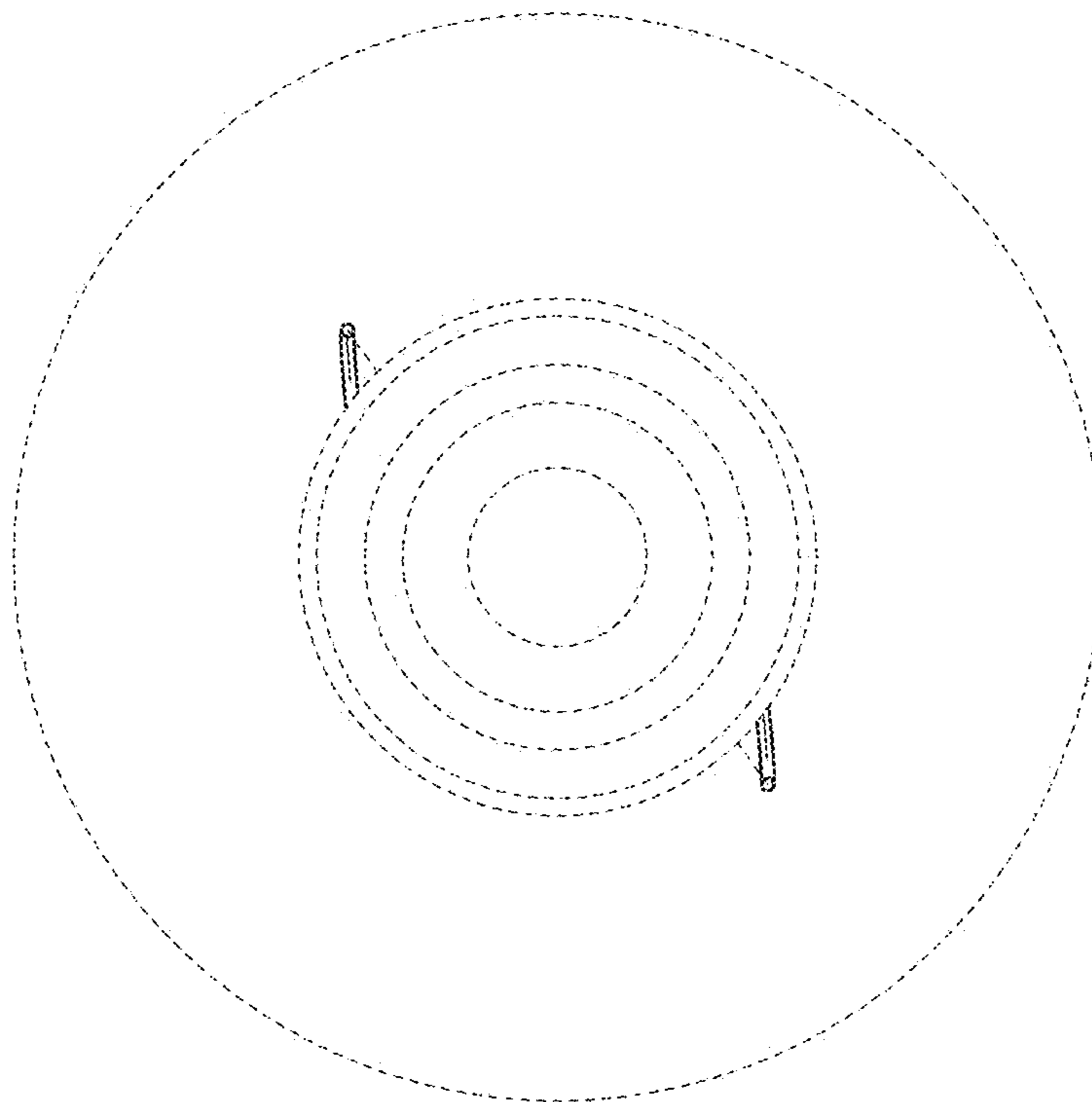


FIG. 126