



US00D879328S

(12) **United States Design Patent**  
**Allen et al.**

(10) **Patent No.:** **US D879,328 S**  
(45) **Date of Patent:** **\*\* Mar. 24, 2020**

(54) **MASONRY BLOCK**

FOREIGN PATENT DOCUMENTS

(71) Applicant: **Cind-R-Lite Block Company**, North Las Vegas, NV (US)

JP D1104249 \* 3/2001

(72) Inventors: **Thomas H. Allen**, Las Vegas, NV (US);  
**Cory J. Climaldi**, North Las Vegas, NV (US)

OTHER PUBLICATIONS

Modern Deco Cind-R-Lite <https://www.cind-r-lite.com/products/architectural-block/moderndeco/> Sep. 2018 (Year: 2018).\*

(73) Assignee: **Cind-R-Lite Block Company**, North Las Vegas, NV (US)

\* cited by examiner

(\*\*) Term: **15 Years**

*Primary Examiner* — Leanne Was-Englehart

(21) Appl. No.: **29/656,111**

(74) *Attorney, Agent, or Firm* — Howard & Howard Attorneys PLLC

(22) Filed: **Jul. 10, 2018**

(51) **LOC (12) Cl.** ..... **25-01**

(52) **U.S. Cl.**  
USPC ..... **D25/113**

(57) **CLAIM**

We claim the ornamental design for a masonry block, as shown and described.

(58) **Field of Classification Search**  
USPC ..... D21/484–491, 499–502; D25/112–118,  
D25/164  
CPC ..... E04B 2/42; E04B 2/46; E04B 2/48; E04B  
2/54  
See application file for complete search history.

**DESCRIPTION**

(56) **References Cited**

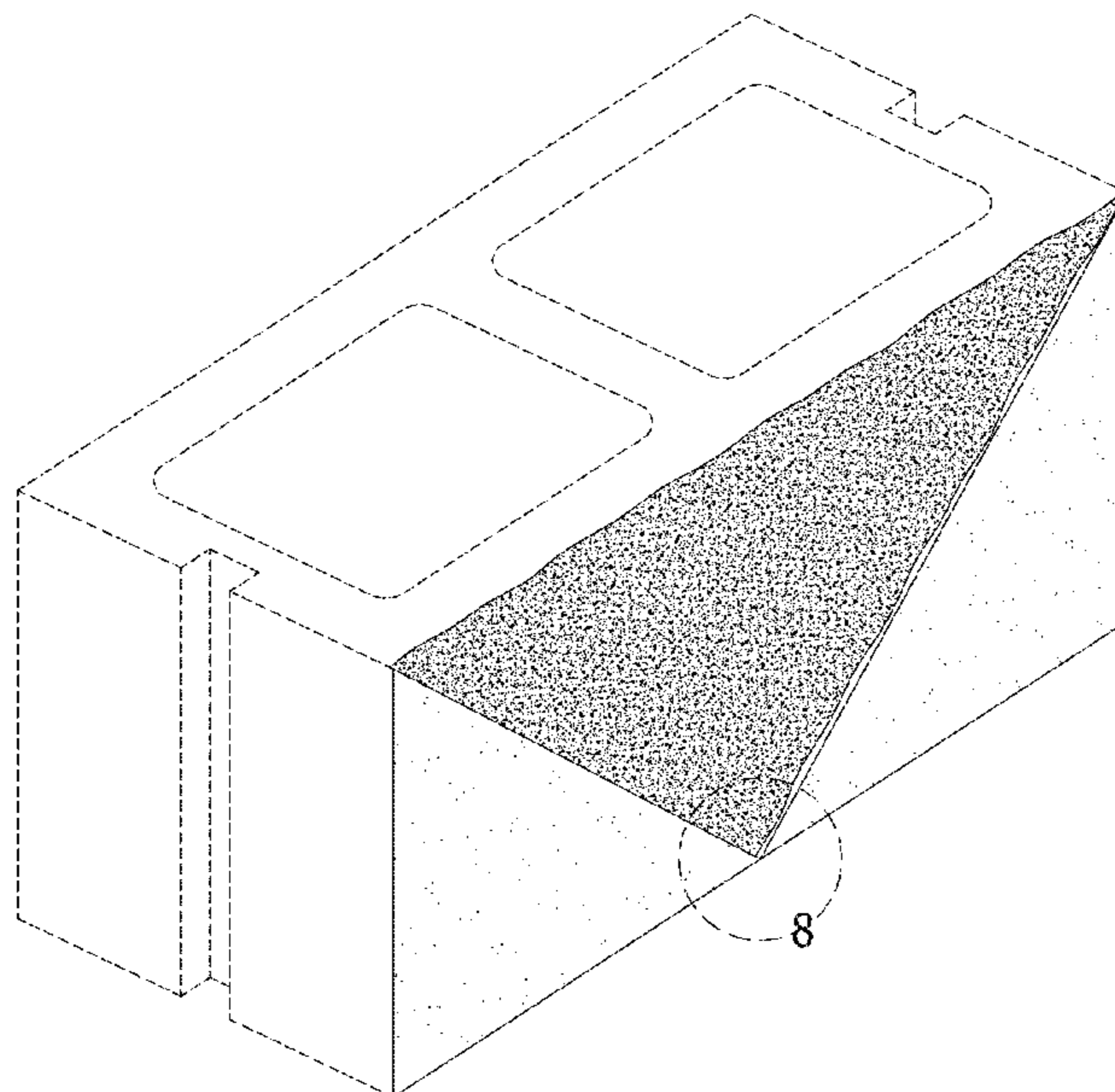
U.S. PATENT DOCUMENTS

D68,612 S *	11/1925	Branciforti	.....	D25/116
2,684,589 A *	7/1954	Perreton	.....	E04B 2/42 52/591.2
5,193,320 A *	3/1993	Coccagna	.....	E04B 2/10 52/442
D596,762 S *	7/2009	Ruegsegger	.....	D25/113
D608,462 S *	1/2010	Hammer	.....	D25/113
D662,612 S *	6/2012	Dyson	.....	D25/113
D686,756 S *	7/2013	Nanayakkara	.....	D25/113
2012/0159889 A1 *	6/2012	Dyson	.....	E04B 2/46 52/503
2017/0218622 A1 *	8/2017	Manthei	.....	B28B 7/002

FIG. 1 is a perspective view of a masonry block;  
FIG. 2 is a front view of the masonry block, as shown in FIG. 1;  
FIG. 3 is a rear view of the masonry block, shown in FIG. 1;  
FIG. 4 is a first side view of the masonry block, shown in FIG. 1;  
FIG. 5 is a second side view of the masonry block, shown in FIG. 1;  
FIG. 6 is a top view of the masonry block, shown in FIG. 1; and  
FIG. 7 is a bottom view of the masonry block, shown in FIG. 1; and,  
FIG. 8 is an enlarged view of the circular detail, shown in FIG. 1.

The dashed lines shown in the figures represent unclaimed portions of the masonry block and form no part of the claimed design.

**1 Claim, 8 Drawing Sheets**



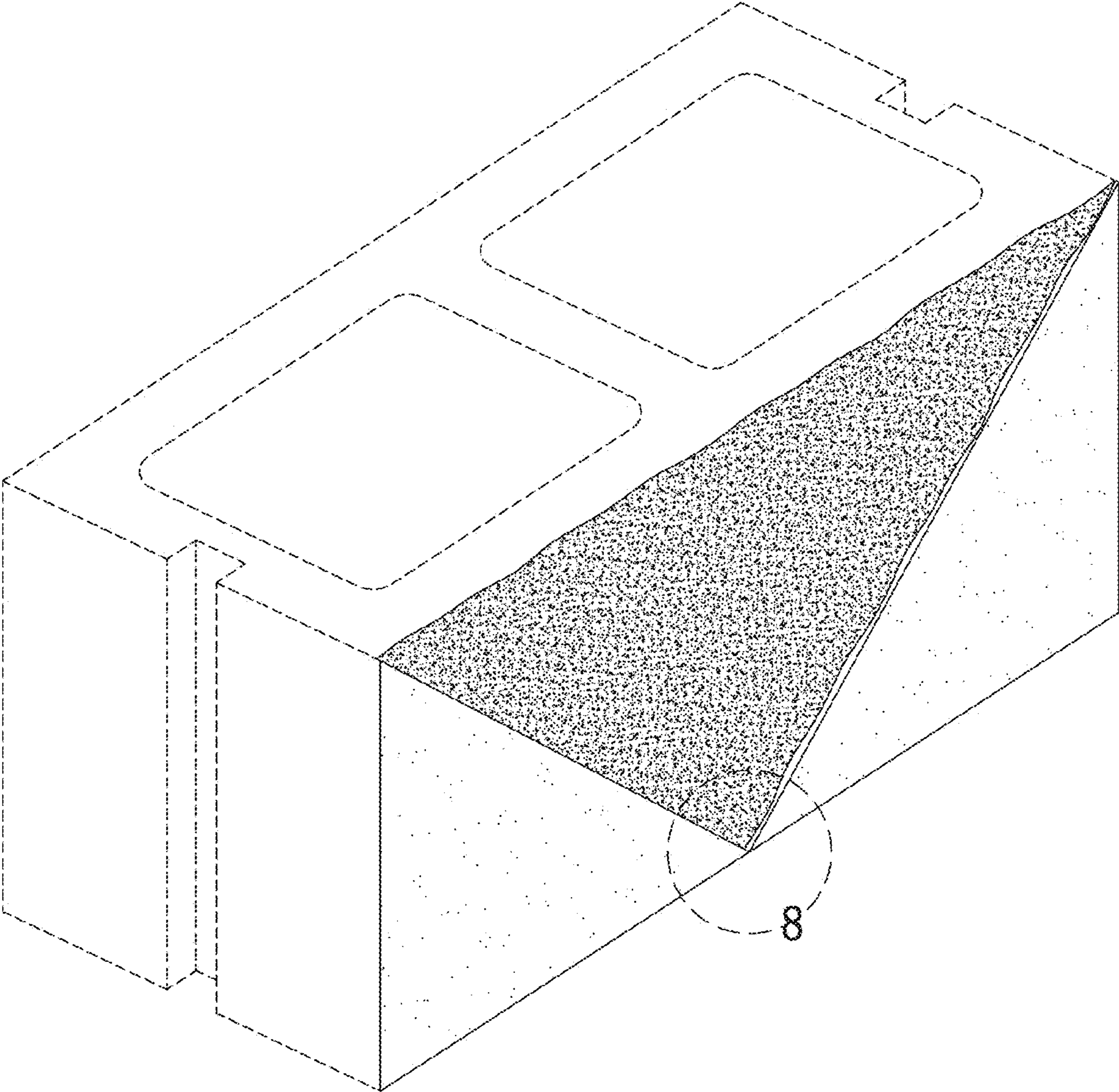


FIG. 1



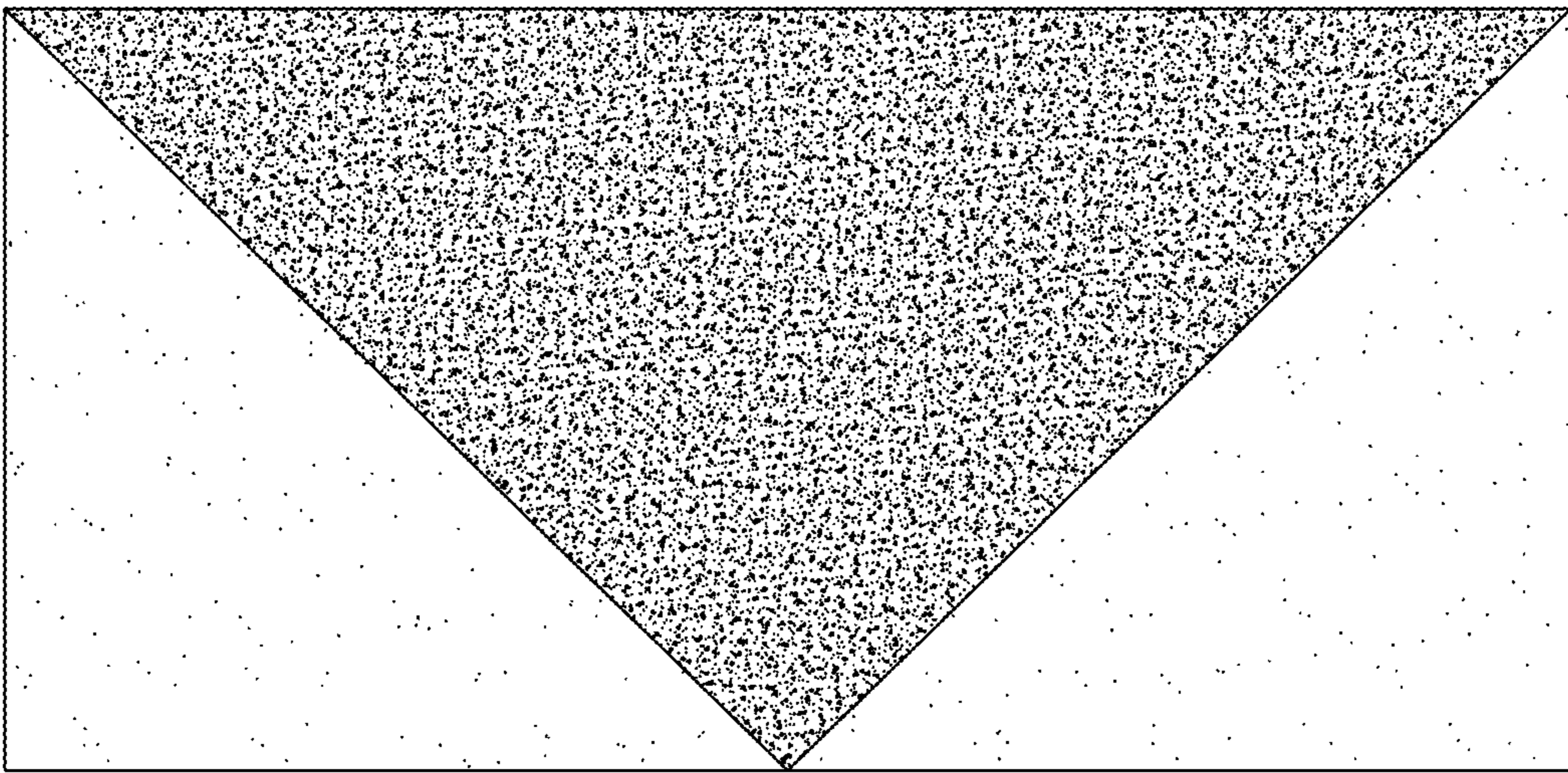


FIG. 2



FIG. 3

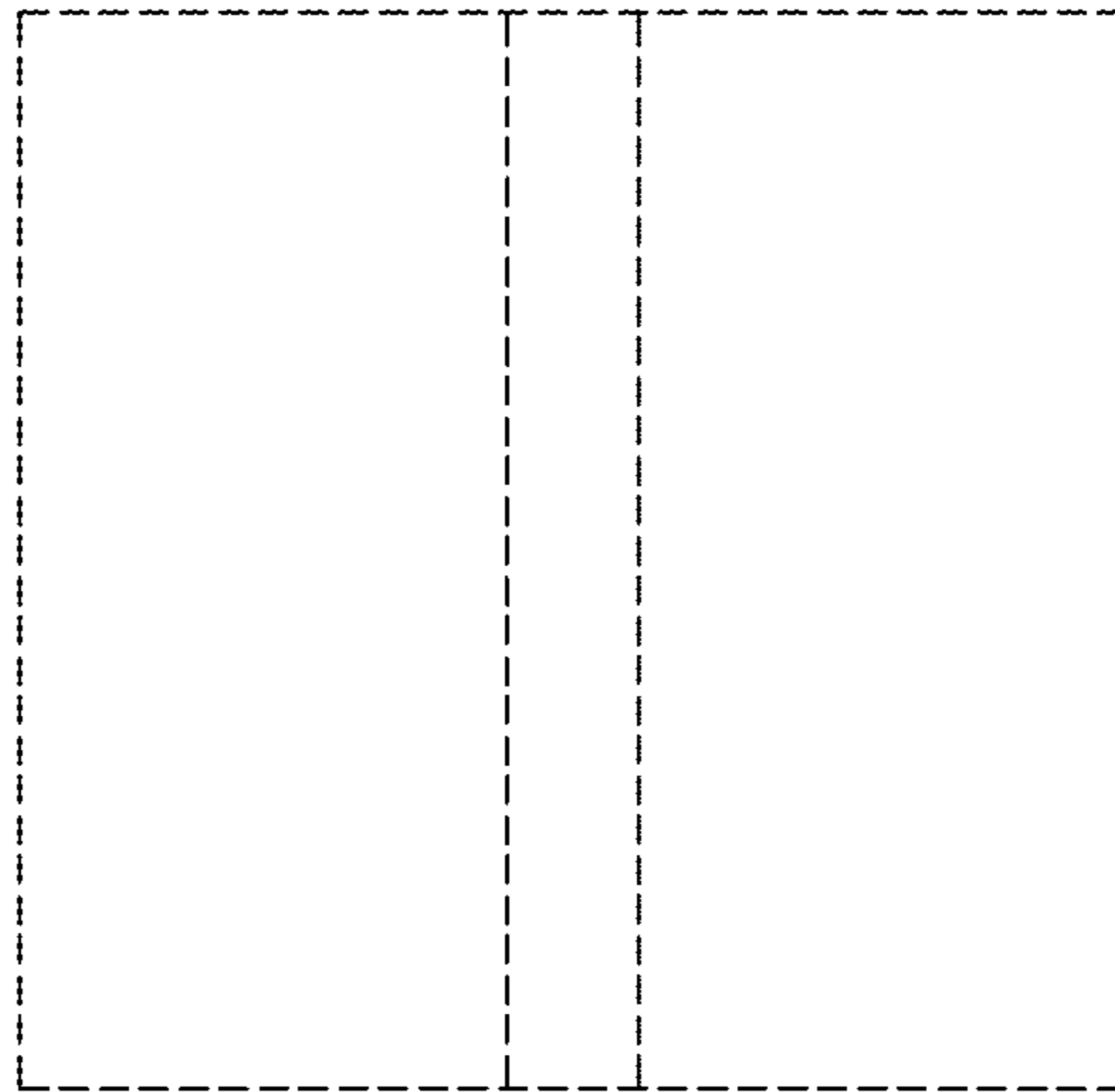


FIG. 4

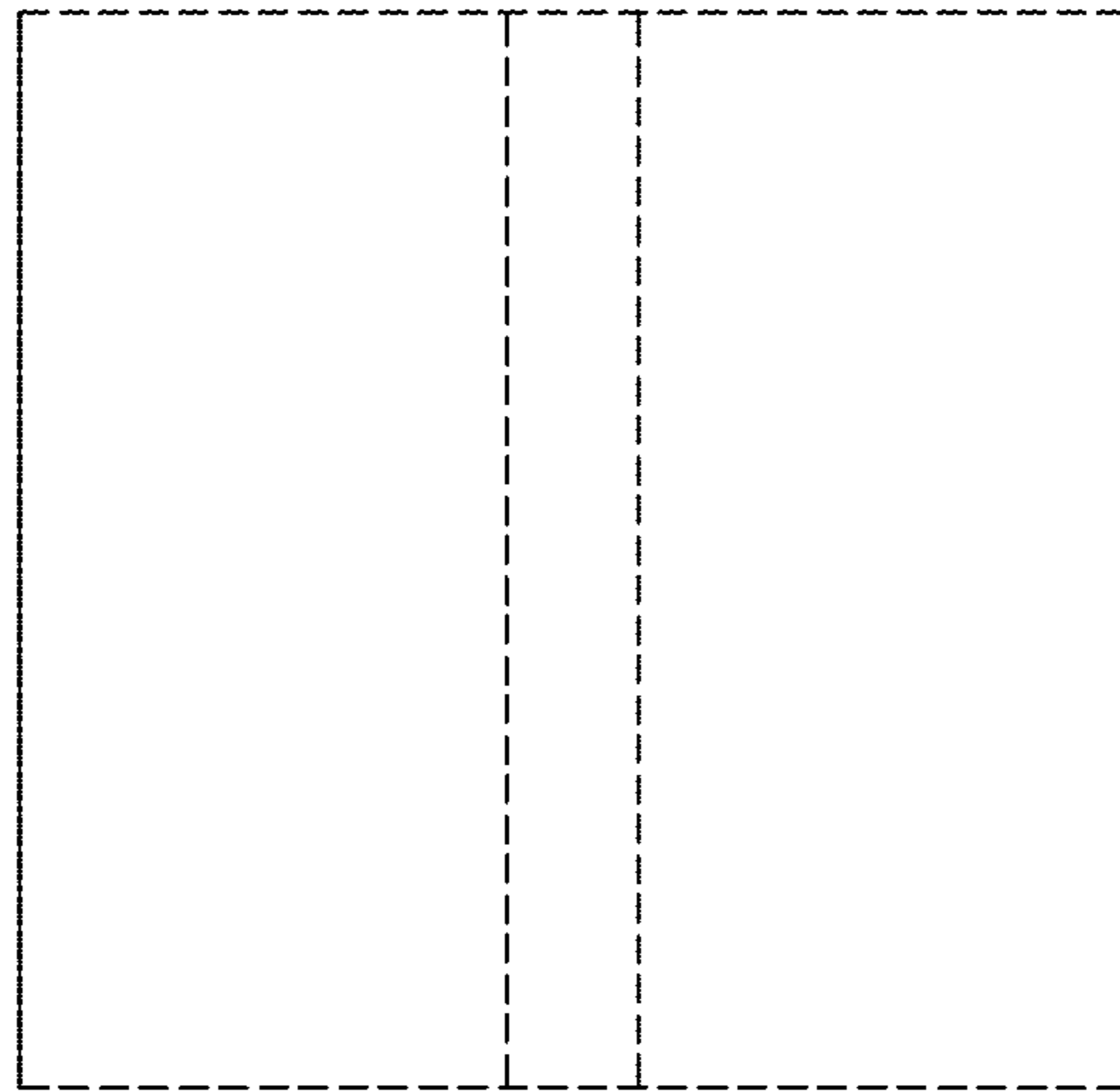


FIG. 5

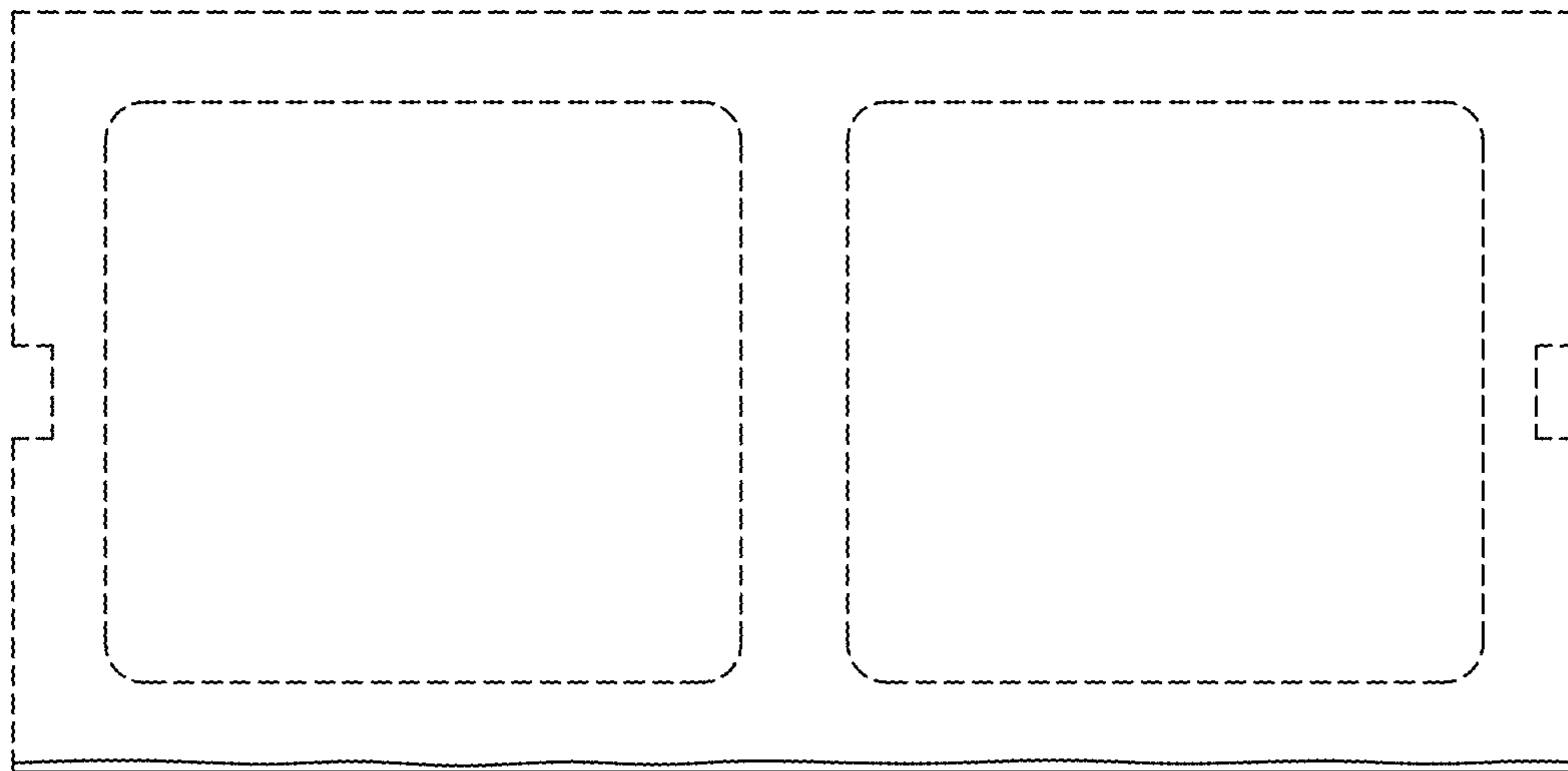


FIG. 6

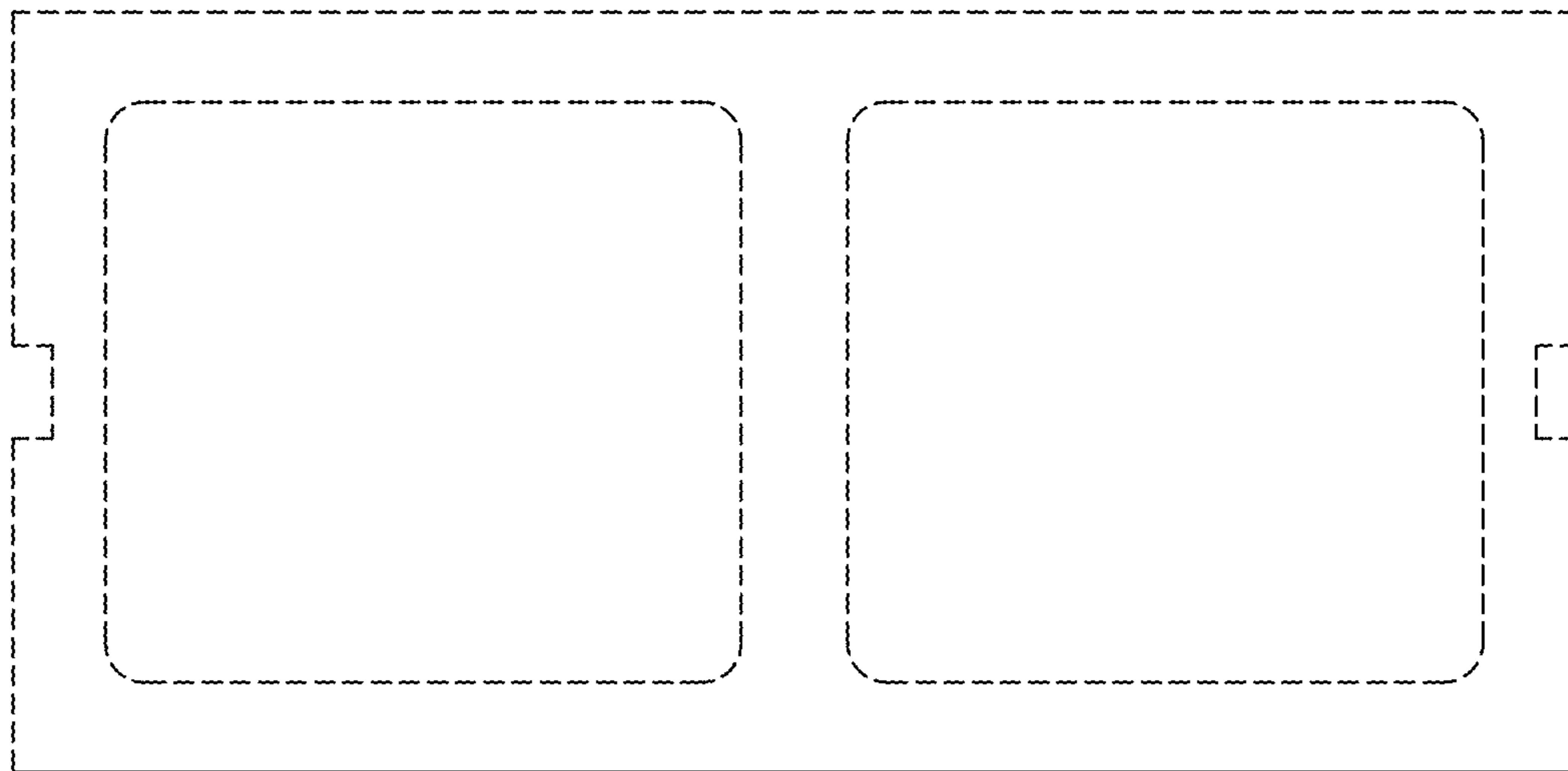


FIG. 7



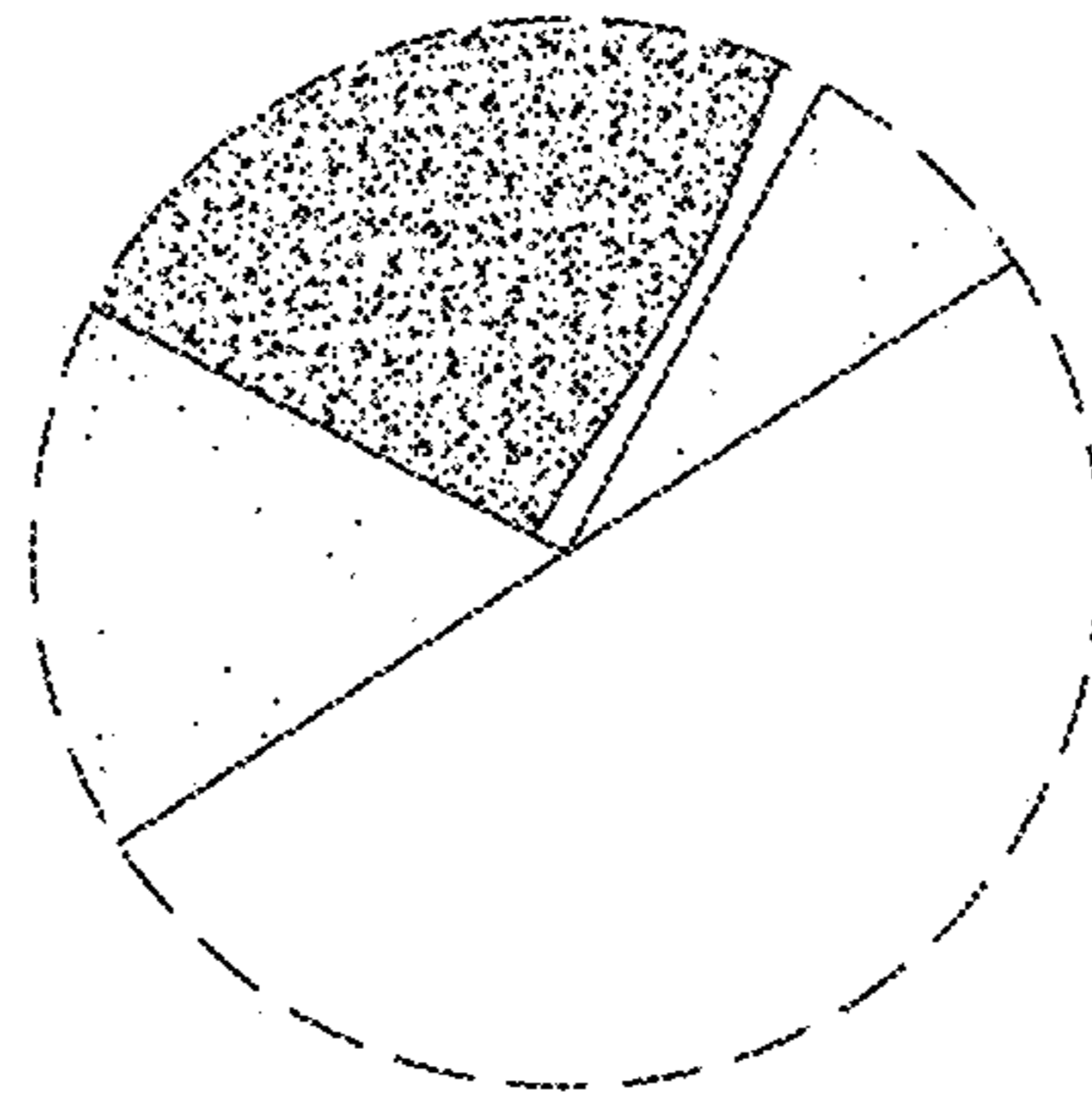


FIG. 8