



US00D879326S

(12) **United States Design Patent** (10) **Patent No.:** **US D879,326 S**
Hendry (45) **Date of Patent:** **** Mar. 24, 2020**

(54) **STRUCTURAL BEAM FOR A SCREEN ENCLOSURE ASSEMBLY**

FOREIGN PATENT DOCUMENTS

(71) Applicant: **Thomas G. Hendry**, Lehigh Acres, FL (US)

CH 452154 5/1968
CN 204983145 1/2016

(Continued)

(72) Inventor: **Thomas G. Hendry**, Lehigh Acres, FL (US)

OTHER PUBLICATIONS

(**) Term: **15 Years**

Screened Wall Systems <http://www.screen-house.com/screenroom_three_season_walls.htm> Jul. 18, 2017 / (Year: 2017).

(21) Appl. No.: **29/637,977**

(Continued)

(22) Filed: **Feb. 23, 2018**

Primary Examiner — Leanne Was-Englehart

(51) **LOC (12) Cl.** **25-01**

(74) *Attorney, Agent, or Firm* — Hanrahan Law Firm, P.A.; Benjamin M. Hanrahan

(52) **U.S. Cl.**

USPC **D25/61**

(58) **Field of Classification Search**

USPC D25/61, 119–126, 128, 132, 164
CPC . E04B 1/19; E04B 1/1903; E04B 1/24; E04B 1/2403; E04B 1/40; E04B 2001/2415; E04B 2001/2421; E04B 2001/2451; E04H 12/2269; E04H 12/24; E04H 15/34; E04H 17/1421; E04C 3/04; E04C 3/06

See application file for complete search history.

(57) **CLAIM**

The ornamental design for a structural beam for a screen enclosure assembly, as shown and described.

(56) **References Cited**

U.S. PATENT DOCUMENTS

742,549	A	10/1903	Zed et al.	
1,430,809	A	10/1922	Ilseng	
1,788,096	A	1/1931	Friedmann	
2,101,349	A	12/1937	Sharp	
2,632,535	A	3/1953	Edouard	
2,776,735	A	1/1957	Bancroft	
2,918,153	A	12/1959	Hammitt et al.	
3,119,635	A	1/1964	Dealy et al.	
3,222,841	A *	12/1965	Lipof	A01K 1/03 160/394
3,246,433	A	4/1966	Eriksson	
3,255,769	A	6/1966	Lloyd	
3,304,108	A	2/1967	Hamilton et al.	
3,354,891	A	11/1967	Brown	

(Continued)

DESCRIPTION

FIG. 1 is a perspective view of a structural beam for a screen enclosure assembly.

FIG. 2 is a right side view thereof.

FIG. 3 is a left side view thereof.

FIG. 4 is a front view thereof.

FIG. 5 is a rear view thereof.

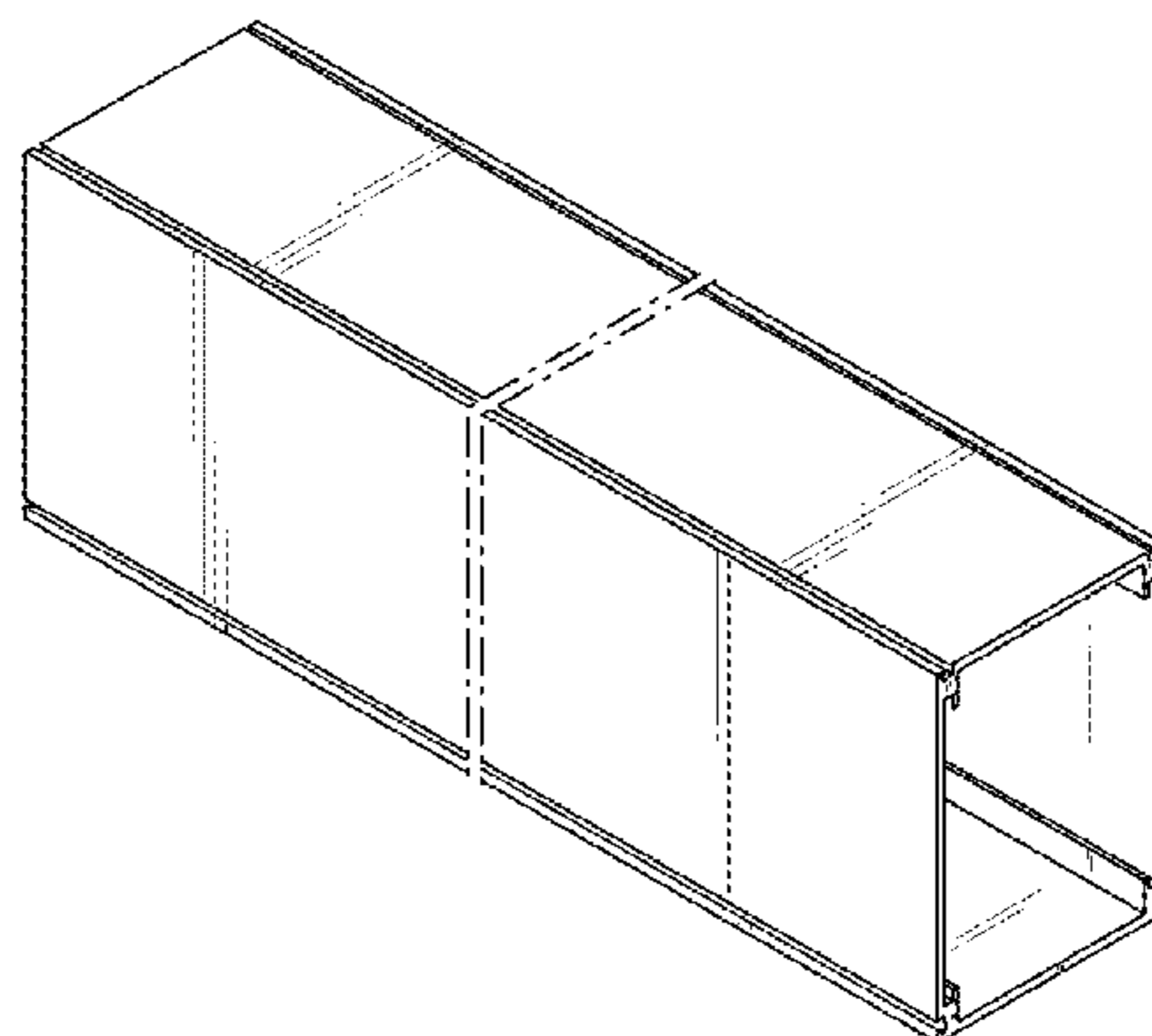
FIG. 6 is a top view thereof.

FIG. 7 is a bottom view thereof; and,

FIG. 8 is another perspective view with environmental subject matter.

The drawings contain a symbolic break illustrated as dash-dot-dash lines. The portion between the break lines forms no part of the claimed design. The dash-dash-dash lines illustrated in FIG. 8 represent environmental subject matter that also forms no part of the claimed design.

1 Claim, 5 Drawing Sheets



(56)

References Cited

U.S. PATENT DOCUMENTS

3,386,590 A * 6/1968 Gretz F21V 35/00
211/189

3,532,369 A 10/1970 Reilly

3,561,801 A 2/1971 Chiu

3,620,558 A 11/1971 MacMillan

3,645,569 A 2/1972 Reilly

3,656,515 A 4/1972 Wogerbauer et al.

3,666,298 A 5/1972 Reilly

3,726,551 A 4/1973 Levenberg

3,786,612 A 1/1974 Baker

3,831,336 A 8/1974 Diemer

3,867,045 A 2/1975 Beals

3,922,101 A 11/1975 Salmon, Jr. et al.

3,955,702 A 5/1976 Lundy

4,076,432 A 2/1978 Glaser

4,159,758 A 7/1979 Courson

4,315,386 A 2/1982 Clarke

4,323,319 A 4/1982 Adams

4,516,376 A 5/1985 King

4,570,406 A 2/1986 DiFazio

4,570,408 A 2/1986 Frascaroli et al.

4,718,184 A 1/1988 Sherman

4,718,213 A * 1/1988 Butterfield E04B 9/005
52/311.2

4,785,591 A 11/1988 Dahlen

4,831,804 A 5/1989 Sayer

4,841,688 A 6/1989 Rinaldi

4,960,343 A 10/1990 Reilly

5,079,860 A 1/1992 Nugent

5,144,780 A 9/1992 Gieling et al.

5,156,484 A 10/1992 Allen

5,203,135 A 4/1993 Bastian

5,383,723 A 1/1995 Meyer

5,451,115 A 9/1995 Sayres

5,485,705 A 1/1996 Guillemet

5,556,218 A 9/1996 Homer

D376,855 S 12/1996 Leung

5,605,410 A 2/1997 Pantev

D387,655 S 12/1997 Kopish

5,864,997 A 2/1999 Kelly

5,904,437 A 5/1999 Allen

5,997,117 A 12/1999 Krietzman

6,062,761 A 5/2000 Allen

6,067,760 A 5/2000 Nowell

6,279,288 B1 8/2001 Keil

6,279,289 B1 8/2001 Soder et al.

6,338,226 B1 1/2002 Gauthier et al.

6,339,891 B1 1/2002 Cox

D454,962 S 3/2002 Grace

6,601,362 B1 8/2003 Prince

6,668,495 B1 12/2003 Prince

6,755,004 B1 6/2004 Power et al.

6,826,885 B2 12/2004 Raskin et al.

7,004,667 B2 2/2006 Ludwig et al.

7,080,492 B1 7/2006 Guiller

7,155,874 B2 1/2007 Lee

7,223,044 B2 5/2007 Quintile

7,568,323 B2 8/2009 Shelton et al.

D600,831 S 9/2009 Munakata et al.

D603,065 S * 10/2009 Hamilton D25/126

7,628,563 B2 12/2009 Winkler

7,677,003 B2 3/2010 Baughn et al.

D616,114 S 5/2010 Harder

7,739,841 B1 6/2010 Puckett

7,832,180 B2 11/2010 Dolby

8,028,494 B2 10/2011 Denn et al.

8,151,533 B2 4/2012 Krieger

D666,743 S * 9/2012 Teffenhart, Jr. D25/124

8,585,313 B2 11/2013 Wojotowicz et al.

8,672,280 B2 3/2014 Suciú et al.

8,726,583 B2 5/2014 Verdecia et al.

8,756,900 B1 6/2014 Hudson et al.

D733,645 S 7/2015 Cai et al.

9,091,119 B2 7/2015 Kim

D739,960 S 9/2015 Britton

9,422,711 B1 * 8/2016 Hendry E04B 1/2403

D775,741 S 1/2017 Kashiwagi et al.

9,605,425 B1 * 3/2017 Hendry E06B 9/52

D783,390 S 4/2017 Nelson

D784,060 S * 4/2017 Davidsen D6/691

D787,094 S 5/2017 Britton

D790,730 S * 6/2017 Prado Perez D25/58

D815,758 S * 4/2018 Hendry D25/126

D818,293 S * 5/2018 Muller D6/709

D823,666 S 7/2018 Macdonald et al.

D823,667 S 7/2018 Macdonald et al.

D823,668 S 7/2018 Macdonald et al.

D823,669 S 7/2018 Macdonald et al.

D823,670 S 7/2018 Macdonald et al.

D826,692 S 8/2018 Macdonald et al.

D827,414 S 9/2018 Macdonald et al.

D827,416 S 9/2018 Macdonald et al.

10,066,384 B1 9/2018 Hendry

D830,545 S * 10/2018 Loughren D24/126

D834,396 S 11/2018 Macdonald et al.

D834,920 S 12/2018 Macdonald et al.

D835,301 S * 12/2018 Lee D25/124

D839,075 S 1/2019 Macdonald et al.

10,316,508 B1 6/2019 Hendry

D854,710 S 7/2019 Hendry

D856,781 S 8/2019 Hendry

2004/0035082 A1 2/2004 Hudoba et al.

2005/0193680 A1 9/2005 Wang

2006/0115324 A1 6/2006 Zenda et al.

2007/0074480 A1 4/2007 Kleila et al.

2007/0130786 A1 6/2007 Wu

2007/0180786 A1 8/2007 Sotuyo

2007/0266671 A1 11/2007 Chromy

2008/0016816 A1 * 1/2008 Kim E04C 3/06
52/633

2008/0190068 A1 8/2008 Tapscott et al.

2013/0272777 A1 10/2013 Hayter

2014/0250821 A1 9/2014 Strickland et al.

2014/0311076 A1 * 10/2014 Ishaque E04F 13/0803
52/404.2

2015/0121788 A1 5/2015 Kim

2016/0138261 A1 5/2016 Zhang et al.

2017/0321446 A1 11/2017 Antinolfi

2018/0094418 A1 4/2018 Winter

2018/0094426 A1 4/2018 Winter

FOREIGN PATENT DOCUMENTS

CN 303693360 * 6/2016

DE 4112181 10/1992

DE 202014103897 10/2014

EP 1134328 9/2001

EP 1916349 4/2008

EP 2988007 2/2016

GB 1009846 11/1965

WO 9421867 9/1994

WO 0066896 11/2000

WO 2012016297 2/2012

OTHER PUBLICATIONS

EZ Screen Room <<https://www.homedepot.com/p/EZ-Screen-Room-8-ft-x-2-in-x-2-in-Aluminum-Whie-Extrusion-with-Spline-Track-EZSR8PW/202453633>> Jun. 11, 2013 (Year: 2013).
2 page machine translation of CN 204983145 U, Jan. 2016 (Year: 2016).

* cited by examiner

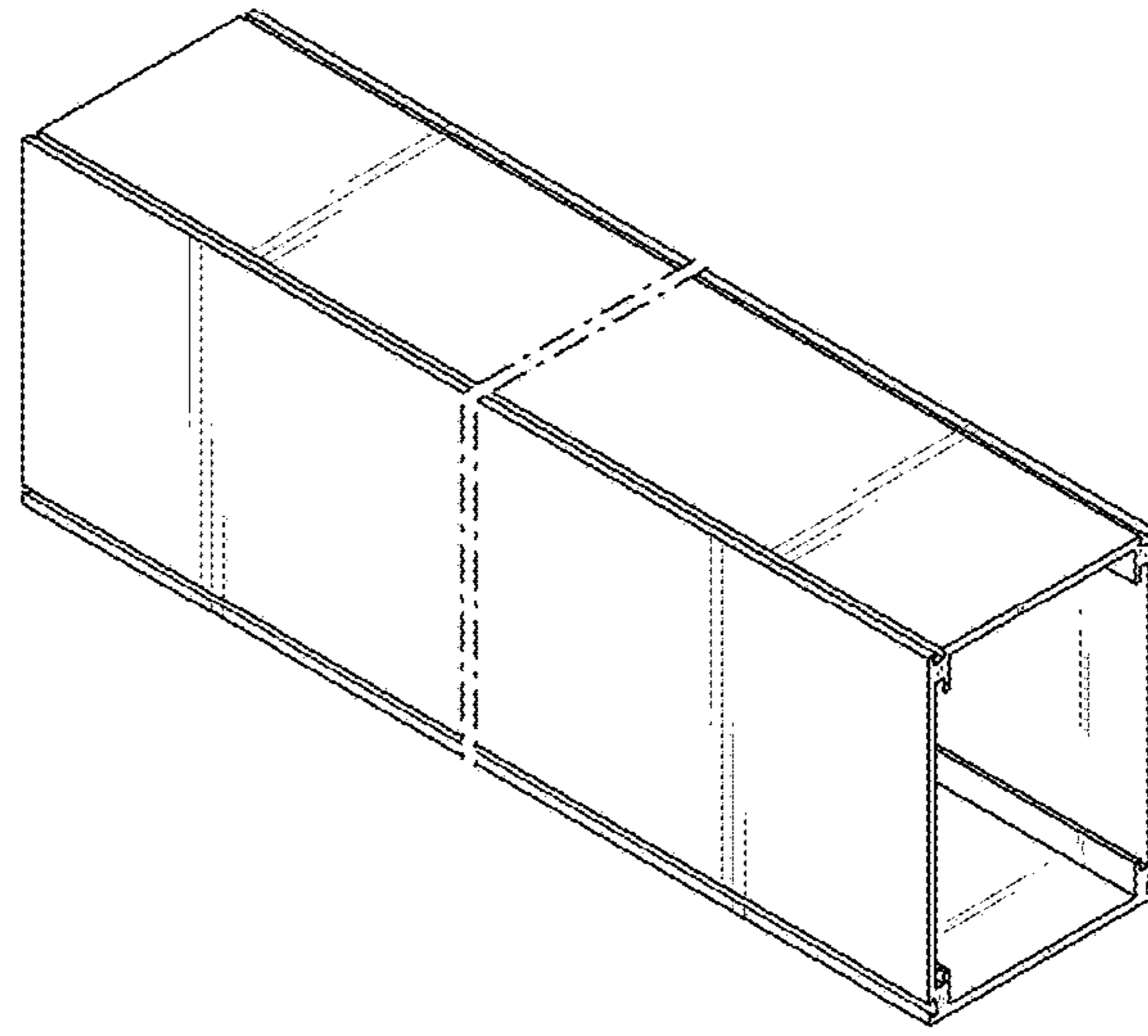


FIG. 1

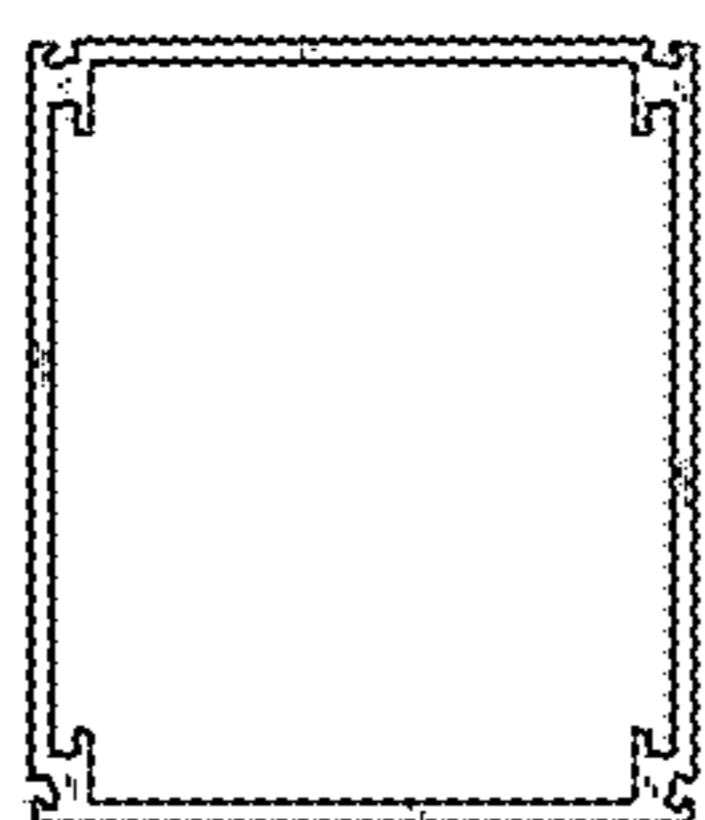


FIG. 2

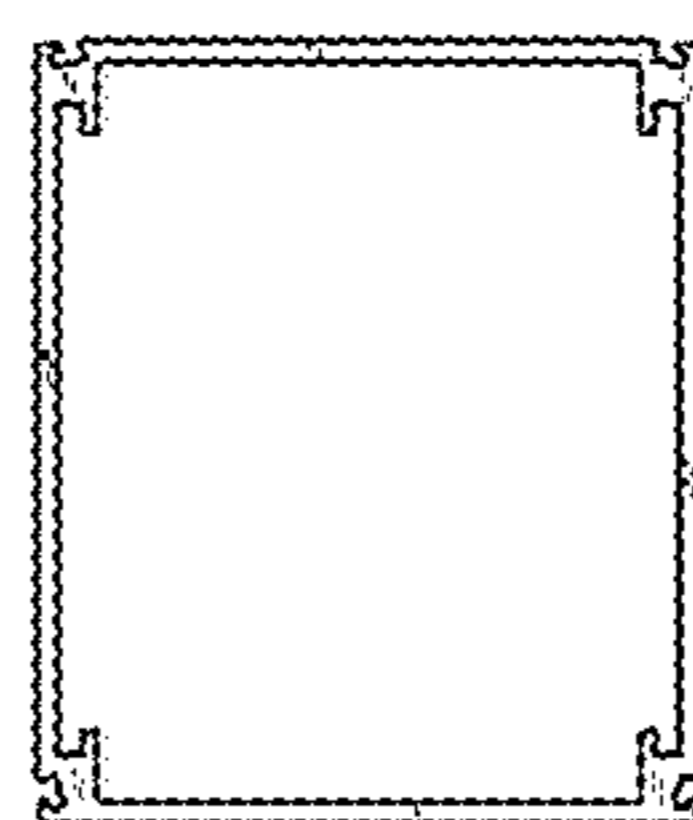


FIG. 3

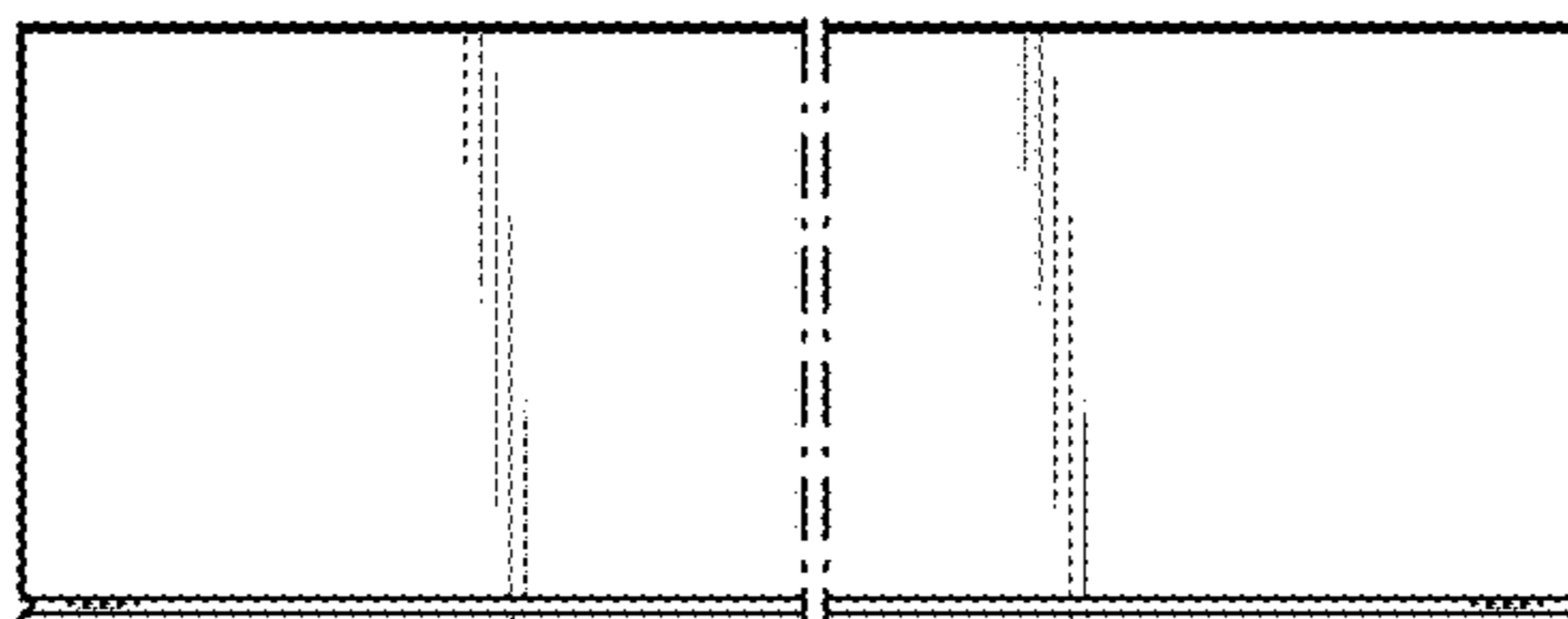


FIG. 4

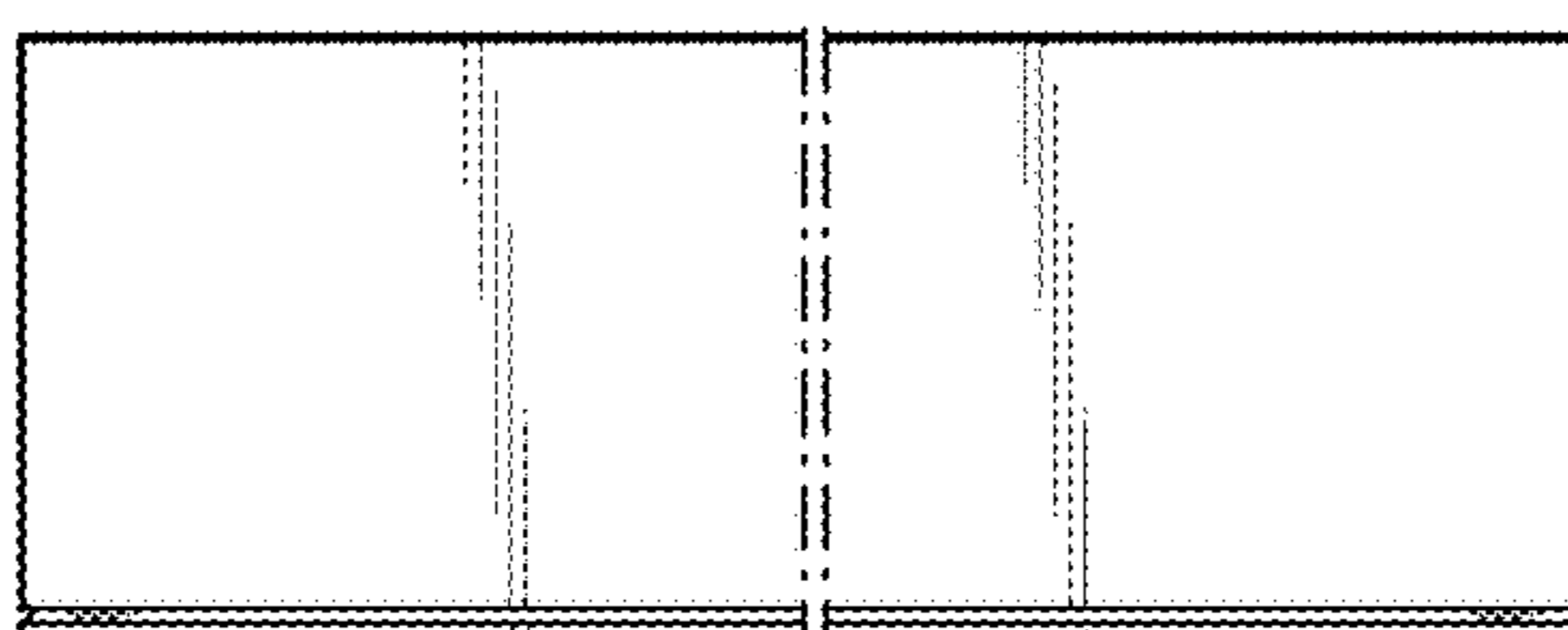


FIG. 5

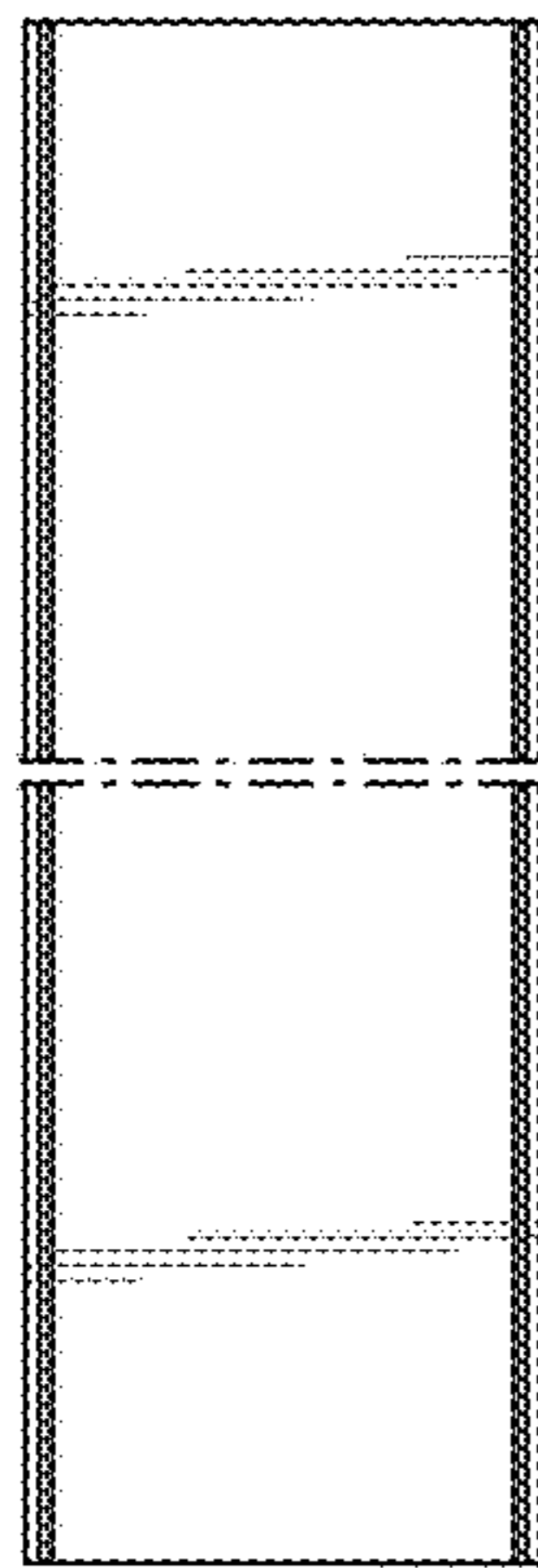


FIG. 6

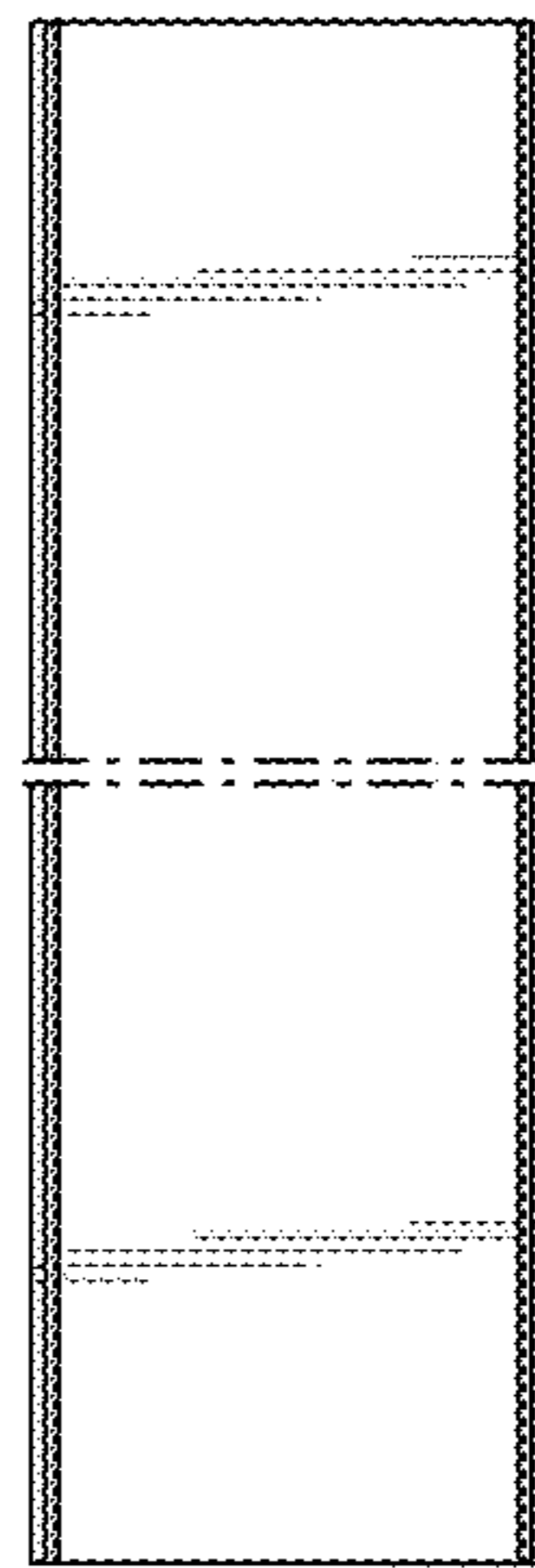


FIG. 7

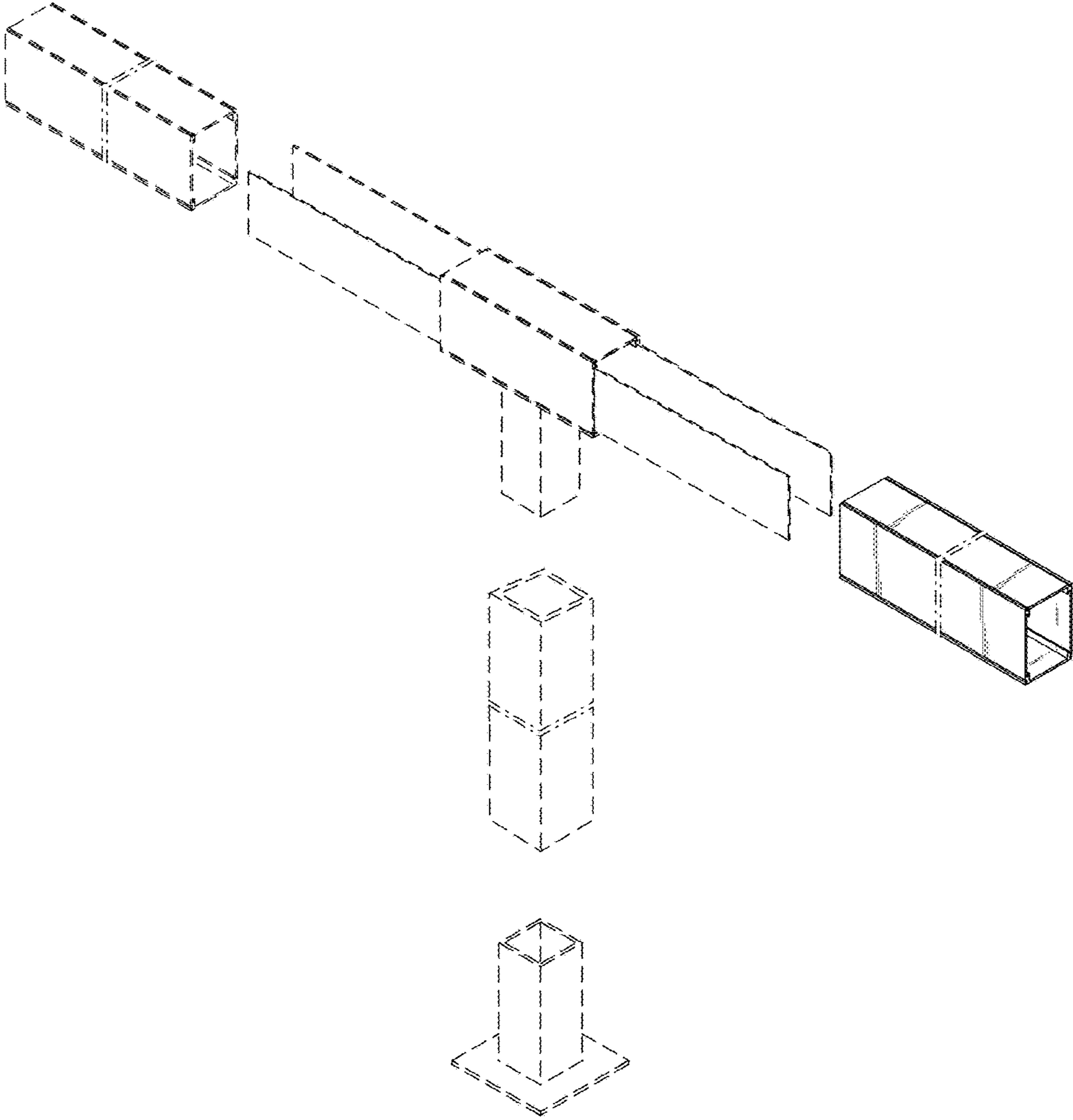


FIG. 8