



US00D879322S

(12) **United States Design Patent** (10) **Patent No.:** **US D879,322 S**
Fujii et al. (45) **Date of Patent:** **** Mar. 24, 2020**

(54) **VESSEL KEEPER FOR ENDOSCOPIC HARVESTER**

(71) Applicant: **TERUMO CARDIOVASCULAR SYSTEMS CORPORATION**, Ann Arbor, MI (US)

(72) Inventors: **Tatsunori Fujii**, Bear, DE (US); **Randal J. Kadykowski**, South Lyon, MI (US); **Safi Siddiqui**, Chestertown, MD (US)

(73) Assignee: **TERUMO CARDIOVASCULAR SYSTEMS CORPORATION**, Ann Arbor, MI (US)

(**) Term: **15 Years**

(21) Appl. No.: **29/650,850**

(22) Filed: **Jun. 11, 2018**

(51) **LOC (12) Cl.** **24-02**

(52) **U.S. Cl.**
USPC **D24/227**

(58) **Field of Classification Search**
USPC D24/107, 169, 186, 216, 223-230;
D9/345, 434, 455, 752, 753; D3/309,
D3/316
CPC G01N 21/0303; B01L 3/508
See application file for complete search history.

(56) **References Cited**

U.S. PATENT DOCUMENTS

| | | | | | | |
|-----------|---|---|---------|---------|-------|--------------|
| D283,640 | S | * | 4/1986 | Grimes | | D24/223 |
| D311,260 | S | * | 10/1990 | Hasert | | D28/85 |
| 5,005,721 | A | * | 4/1991 | Jordan | | B01L 3/50853 |
| | | | | | | 220/23.4 |
| D355,260 | S | * | 2/1995 | Tomasso | | D24/224 |
| D595,863 | S | * | 7/2009 | Suzuki | | D24/227 |
| D620,603 | S | * | 7/2010 | Talmer | | D24/224 |
| D632,802 | S | * | 2/2011 | Salinas | | D24/224 |

| | | | | | | |
|--------------|----|---|---------|--------------|-------|-----------|
| D645,973 | S | * | 9/2011 | Hoenes | | D24/224 |
| 8,702,700 | B2 | | 4/2014 | Maeda et al. | | |
| D769,456 | S | * | 10/2016 | Dulaff | | D24/224 |
| D778,460 | S | * | 2/2017 | Marechal | | D24/224 |
| D847,634 | S | * | 5/2019 | Hatakeyama | | D9/455 |
| 2005/0175338 | A1 | * | 8/2005 | Ide | | G03D 3/06 |
| | | | | | | 396/647 |
| 2006/0206112 | A1 | | 9/2006 | Kasahara | | |
| 2007/0267378 | A1 | * | 11/2007 | Piccinino | | B65D 1/04 |
| | | | | | | 215/6 |
| 2008/0208191 | A1 | | 8/2008 | Kadykowski | | |
| 2017/0347996 | A1 | | 12/2017 | Lau et al. | | |

FOREIGN PATENT DOCUMENTS

IN 292815 * 4/2017

* cited by examiner

Primary Examiner — Susan Bennett Hattan

Assistant Examiner — Omeed Agilee

(74) *Attorney, Agent, or Firm* — Darryl Newell; MacMillan, Sobanski & Todd, LLC

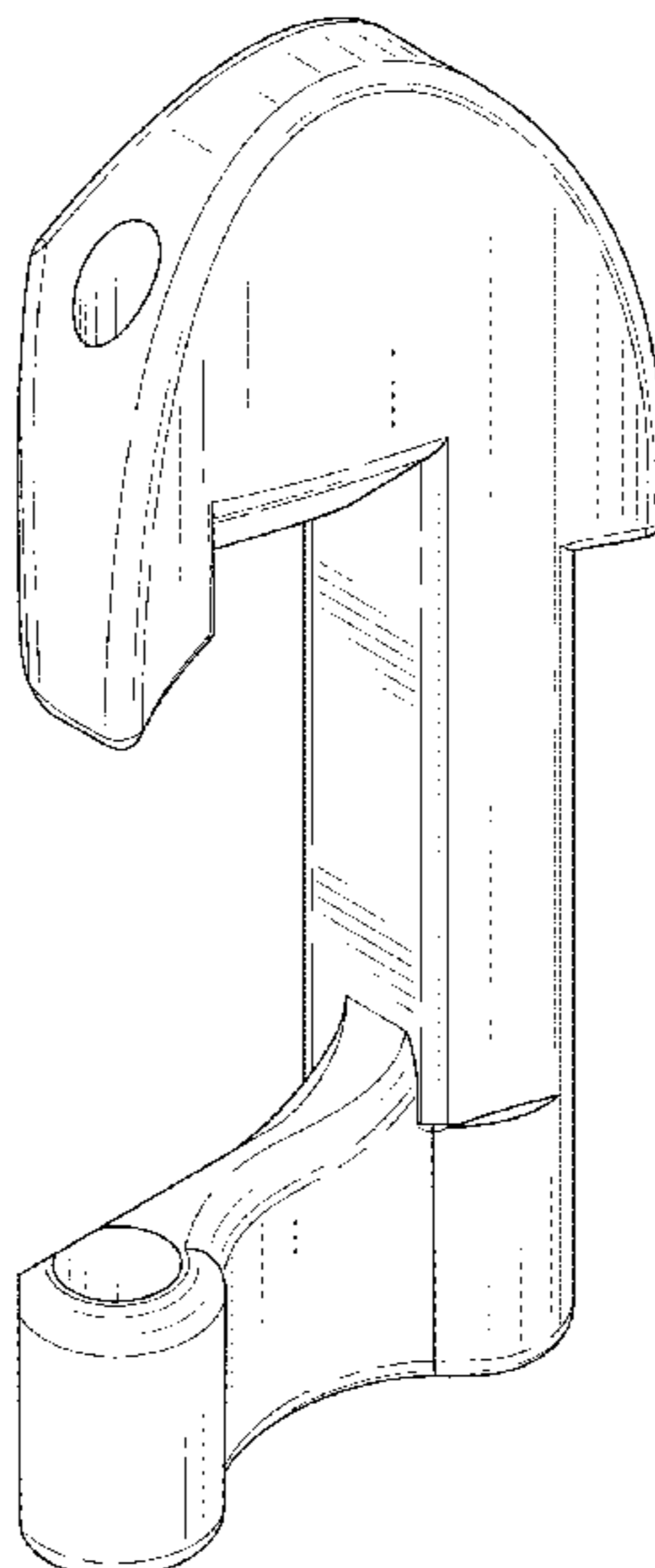
(57) **CLAIM**

The ornamental design for a vessel keeper for endoscopic harvester, as shown and described.

DESCRIPTION

FIG. 1 is a perspective view of a vessel keeper for endoscopic harvester embodying our design. FIG. 2 is a top plan view thereof. FIG. 3 is a bottom plan view thereof. FIG. 4 is a side elevational view thereof. FIG. 5 is a side elevational view thereof. FIG. 6 is a rear elevational view thereof; and, FIG. 7 is a front elevational view thereof. The broken lines in the drawings depict portions of the vessel keeper for endoscopic harvester that form no part of the claimed design.

1 Claim, 5 Drawing Sheets



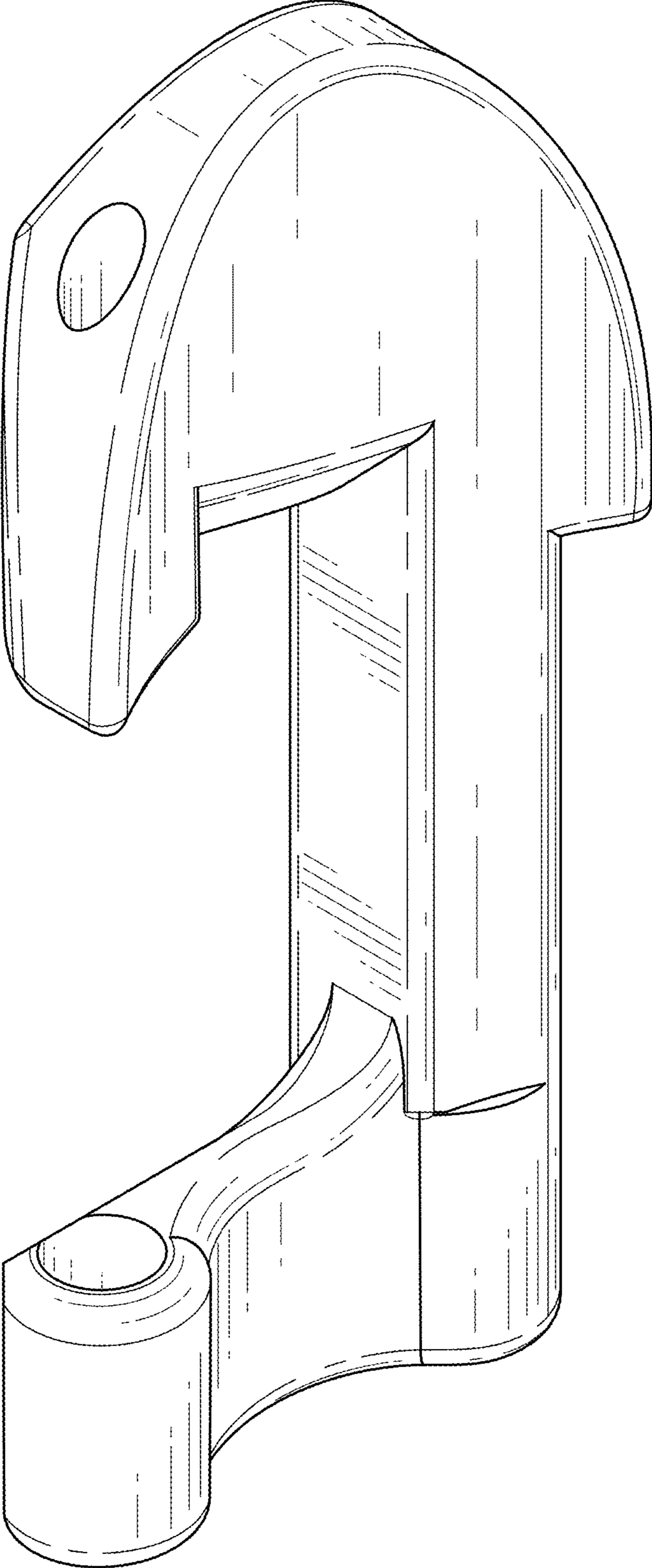


FIG. 1

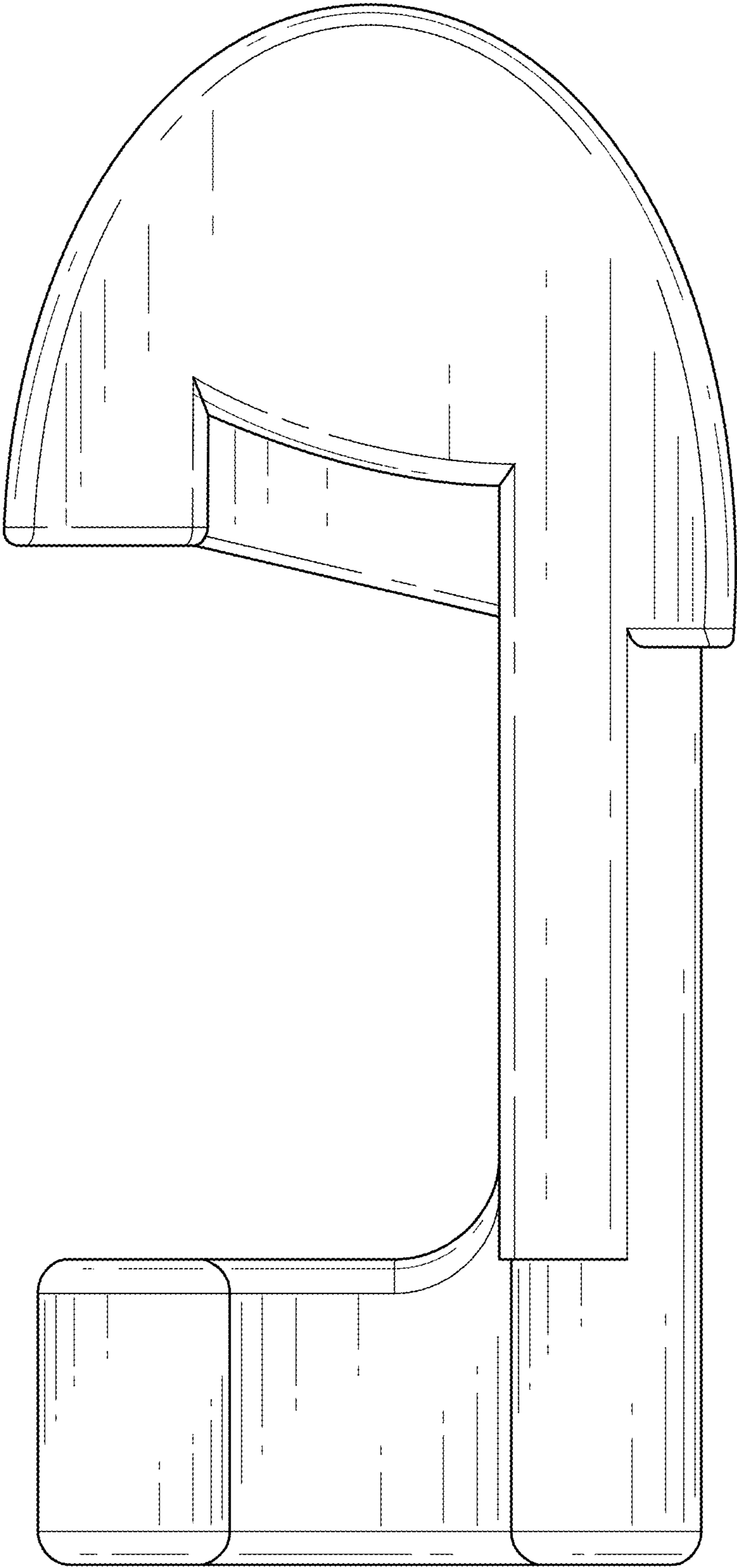


FIG. 2

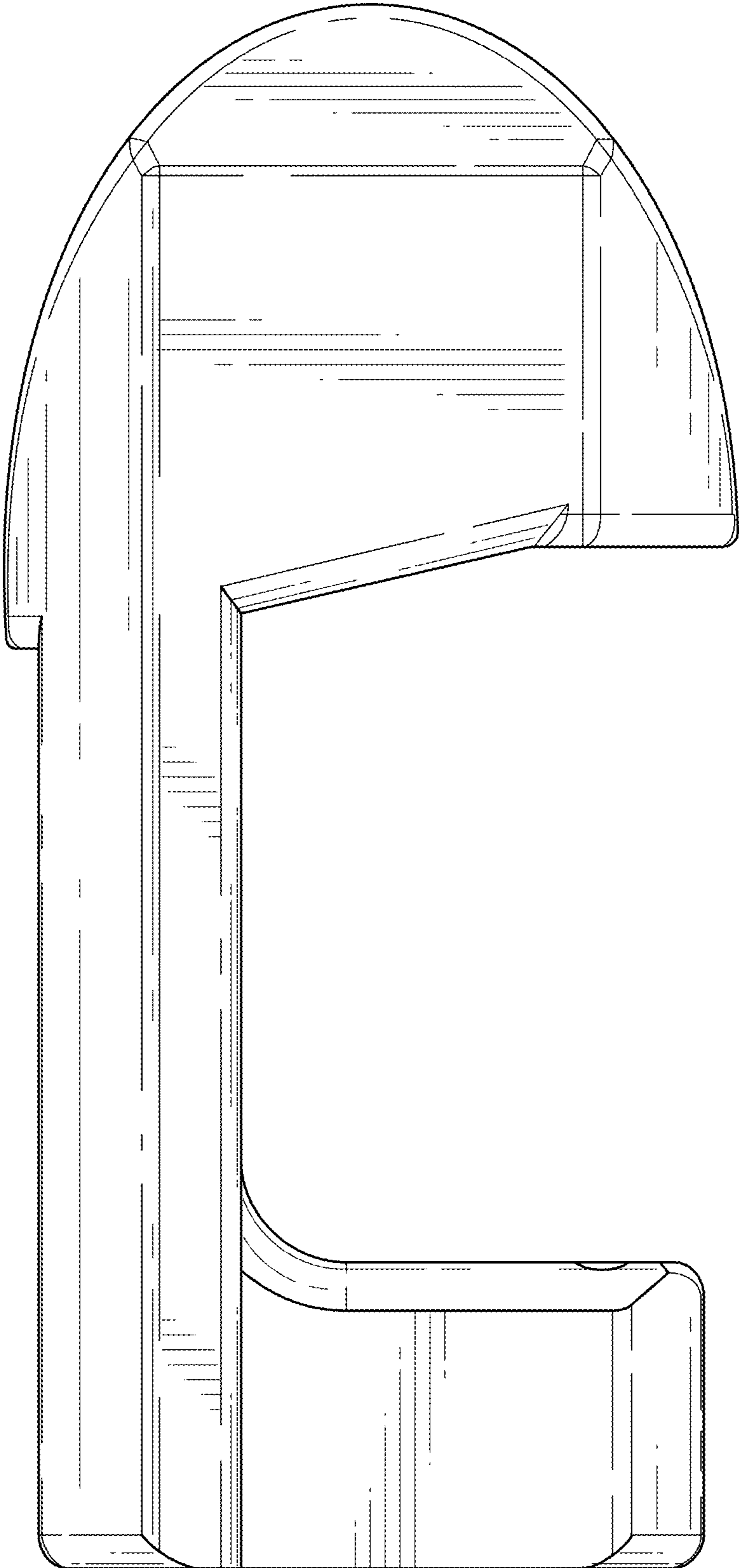


FIG. 3

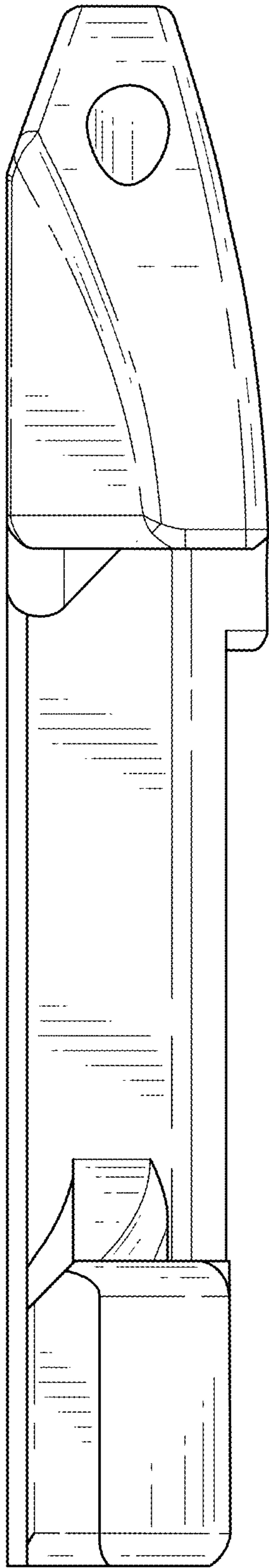


FIG. 4

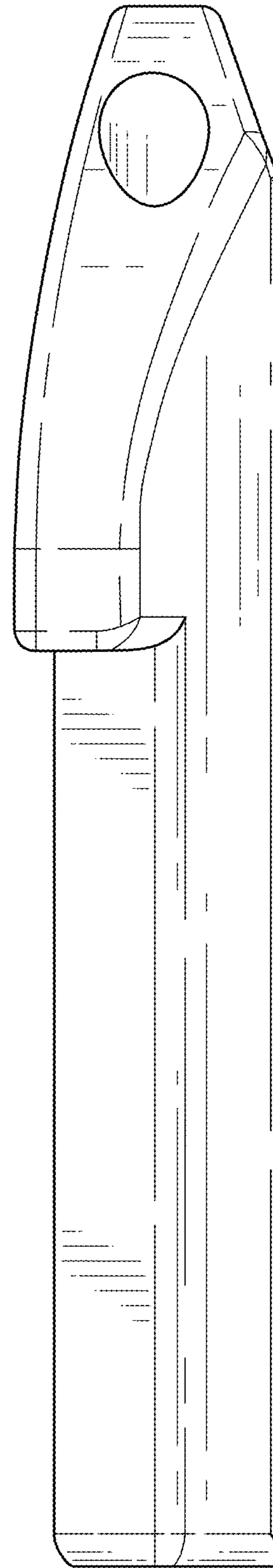


FIG. 5

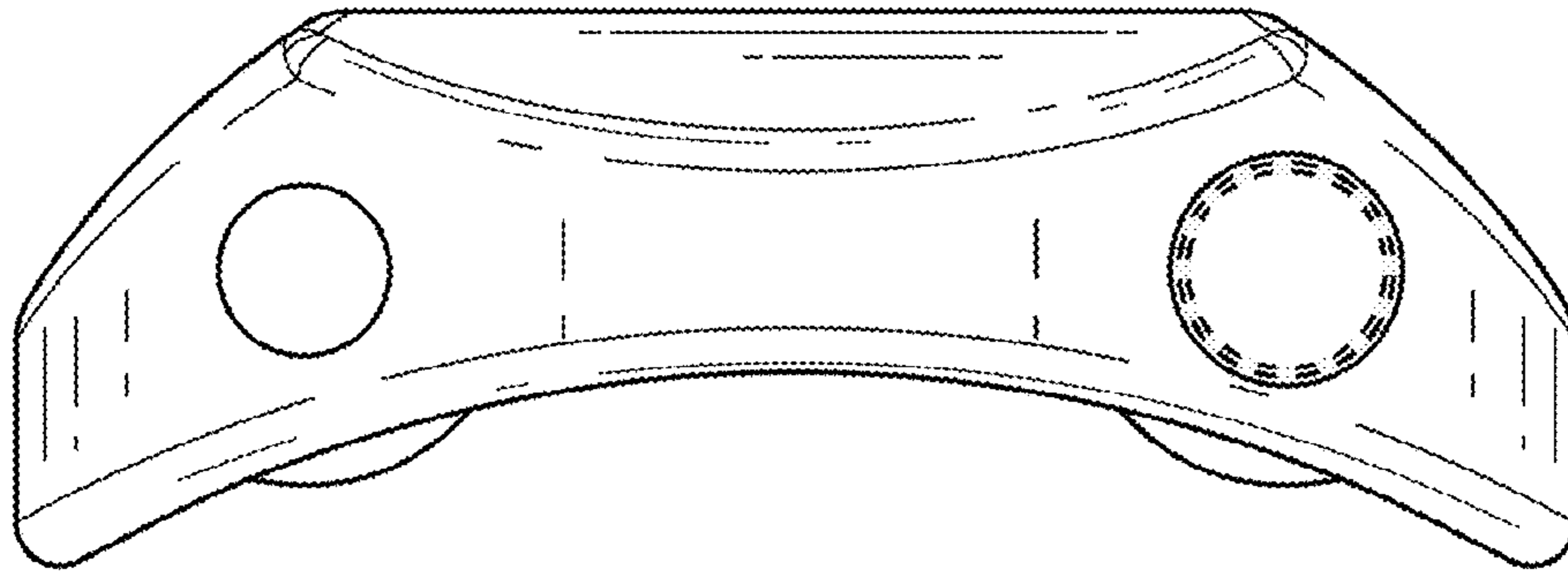


FIG. 6

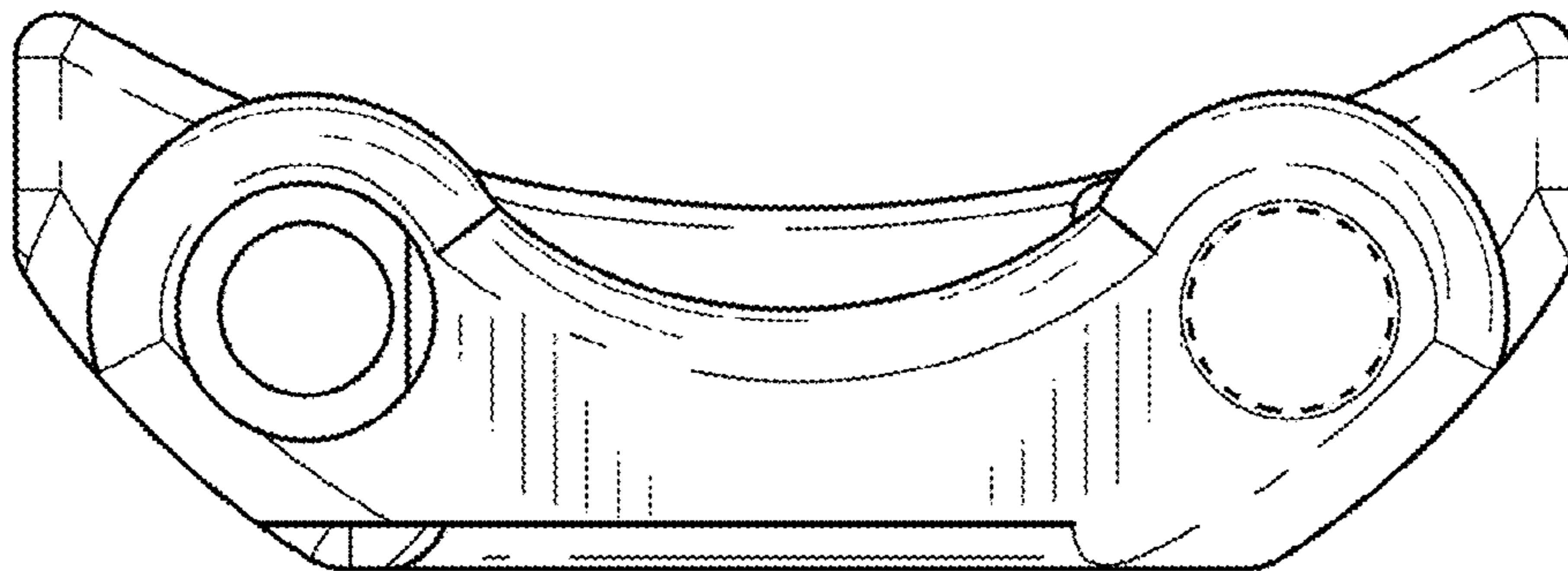


FIG. 7