



US00D879320S

(12) **United States Design Patent**
Kakuda et al.

(10) **Patent No.:** **US D879,320 S**
(45) **Date of Patent:** **** Mar. 24, 2020**

(54) **SAMPLE STORAGE**

FOREIGN PATENT DOCUMENTS

(71) Applicant: **KOBE BIO ROBOTIX CO., LTD.**,
Katou-shi, Hyogo (JP)

JP 1372511 11/2009
JP 1402837 11/2010
JP 1402836 12/2010

(72) Inventors: **Shinichiro Kakuda**, Kobe (JP); **Yoko Nakahana**, Nishinomiya (JP)

OTHER PUBLICATIONS

(73) Assignee: **KOBE BIO ROBOTIX CO., LTD.**,
Hyogo (JP)

Photo data collected by the Japanese Patent Office, https://j-platpat.inpit.go.jp/web/ishou/dpdj/DPDJ_GM301_Detailed.action, Nov. 16, 2016 (1 page).

(**) Term: **15 Years**

Primary Examiner — Shannon W Morgan

(21) Appl. No.: **29/703,823**

Assistant Examiner — Keith Frank

(22) Filed: **Aug. 29, 2019**

(74) *Attorney, Agent, or Firm* — Hamre, Schumann,
Mueller & Larson, P.C.

Related U.S. Application Data

(62) Division of application No. 29/574,381, filed on Aug. 15, 2016, now Pat. No. Des. 865,212.

(51) **LOC (12) Cl.** **24-02**

(52) **U.S. Cl.**
USPC **D24/224**

(58) **Field of Classification Search**
USPC D24/112, 114, 117, 219, 224; D9/516,
D9/539, 549, 550, 558, 500
CPC ... A61J 1/2089; A61J 1/18; A61J 1/22; A61B
10/007; A61B 10/0051
See application file for complete search history.

(57) **CLAIM**

The ornamental design for a sample storage, as shown and described.

(56) **References Cited**

U.S. PATENT DOCUMENTS

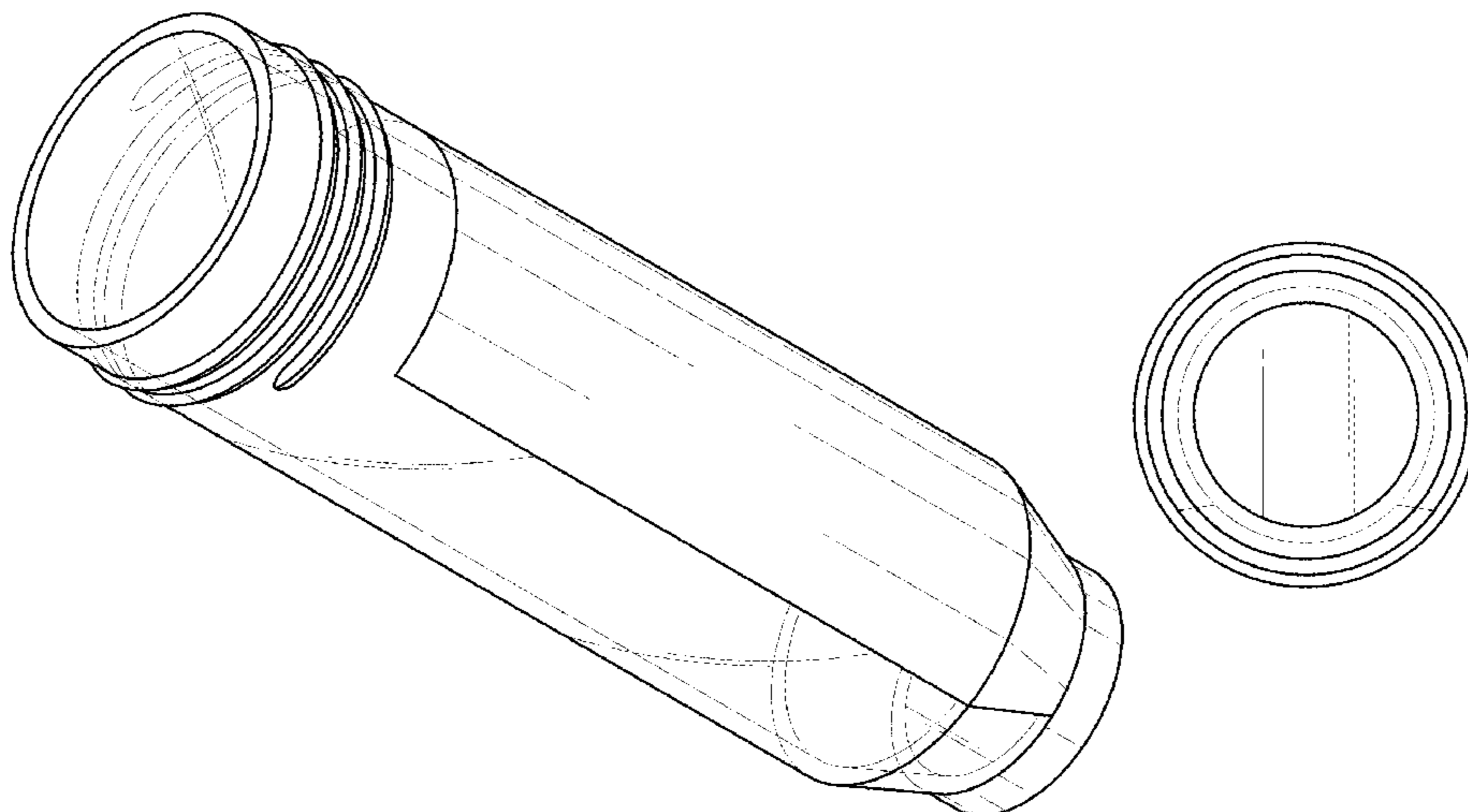
| | | | |
|--------------|---------|------------------|--------|
| D244,555 S | 5/1977 | Wiedmann | |
| D278,653 S | 4/1985 | Savitz et al. | |
| D311,260 S | 10/1990 | Hasert | |
| 5,422,273 A | 6/1995 | Garrison et al. | |
| D369,977 S * | 5/1996 | Sexton, Jr. | D9/764 |
| D425,625 S | 5/2000 | Niermann | |
| D447,060 S | 8/2001 | Leboeuf et al. | |
| D453,838 S | 2/2002 | Harrop | |
| D454,201 S | 3/2002 | Harrop | |
| D469,664 S * | 2/2003 | Marks | D7/608 |
| D555,801 S | 11/2007 | Coulling et al. | |

(Continued)

DESCRIPTION

FIG. 1 is a perspective view of a sample storage showing our new design;
FIG. 2 is a front elevation view thereof;
FIG. 3 is a rear elevation view thereof;
FIG. 4 is a left side elevation view thereof;
FIG. 5 is a right side elevation view thereof;
FIG. 6 is a top plan view thereof;
FIG. 7 is a bottom plan view thereof;
FIG. 8 is a perspective view of a second embodiment of a sample storage showing our new design;
FIG. 9 is a front view thereof;
FIG. 10 is a rear view thereof;
FIG. 11 is a left side view thereof;
FIG. 12 is a right side view thereof;
FIG. 13 is a top view thereof; and,
FIG. 14 is a bottom view thereof.

1 Claim, 8 Drawing Sheets



(56)

References Cited

U.S. PATENT DOCUMENTS

D570,687 S 6/2008 Kelders et al.
 D632,802 S 2/2011 Salinas et al.
 D637,492 S 5/2011 Baird et al.
 D644,536 S 9/2011 Witz et al.
 D649,405 S 11/2011 Lingo
 D650,088 S 12/2011 Motadel
 D651,322 S 12/2011 Svard
 D659,007 S 5/2012 Pape
 D668,778 S 10/2012 Motadel
 8,460,620 B2* 6/2013 Bartfeld B01L 3/5082
 422/550
 D687,304 S 8/2013 Tanner
 D690,416 S 9/2013 Cappello et al.
 D702,743 S * 4/2014 Witz D15/136
 D713,201 S * 9/2014 Rees D7/509
 D716,965 S 11/2014 Fruscella
 D721,958 S * 2/2015 Hamway D9/436
 D725,470 S * 3/2015 Wilcox D9/448
 D726,305 S * 4/2015 Furukawa D24/114
 D730,735 S 6/2015 Sommer
 D740,741 S 10/2015 Wheeler
 D743,269 S 11/2015 Pape
 D749,419 S 2/2016 Grossman
 D755,957 S * 5/2016 Larson D24/121
 D757,256 S 5/2016 Sarver et al.
 D762,418 S 8/2016 Sorensen et al.
 D790,688 S * 6/2017 Choi D24/114

D790,726 S 6/2017 Plante et al.
 D800,072 S 10/2017 Moore
 D801,545 S 10/2017 Wiesli et al.
 D801,814 S 11/2017 Liu et al.
 D804,652 S 12/2017 Sarver et al.
 D810,281 S 2/2018 Holmqvist et al.
 D814,103 S 3/2018 Levinson
 D817,173 S 5/2018 Suga et al.
 D818,118 S 5/2018 Kelly et al.
 D827,152 S * 8/2018 Ou D24/224
 D833,003 S * 11/2018 Papst D24/121
 D833,030 S * 11/2018 Sasano D24/224
 D833,603 S * 11/2018 Yang D24/114
 D838,379 S * 1/2019 Trump D24/216
 D844,434 S * 4/2019 Toribio D9/500
 D847,985 S * 5/2019 Neff D24/130
 D850,647 S * 6/2019 Jackson D24/224
 D852,375 S * 6/2019 Druga, Sr. D24/224
 D853,580 S * 7/2019 Penttila D24/224
 D857,915 S * 8/2019 Sakai D24/224
 D861,242 S * 9/2019 Han D27/162
 D862,690 S * 10/2019 Jansen D24/113
 2005/0229724 A1 10/2005 O'Brien et al.
 2007/0060876 A1* 3/2007 Bassarab A61M 5/284
 604/88
 2012/0265171 A1* 10/2012 Thorne, Jr. A61M 5/31596
 604/518
 2014/0182604 A1* 7/2014 Hutton A24C 5/42
 131/70
 2015/0289856 A1 10/2015 Saqi et al.
 * cited by examiner

Fig. 1

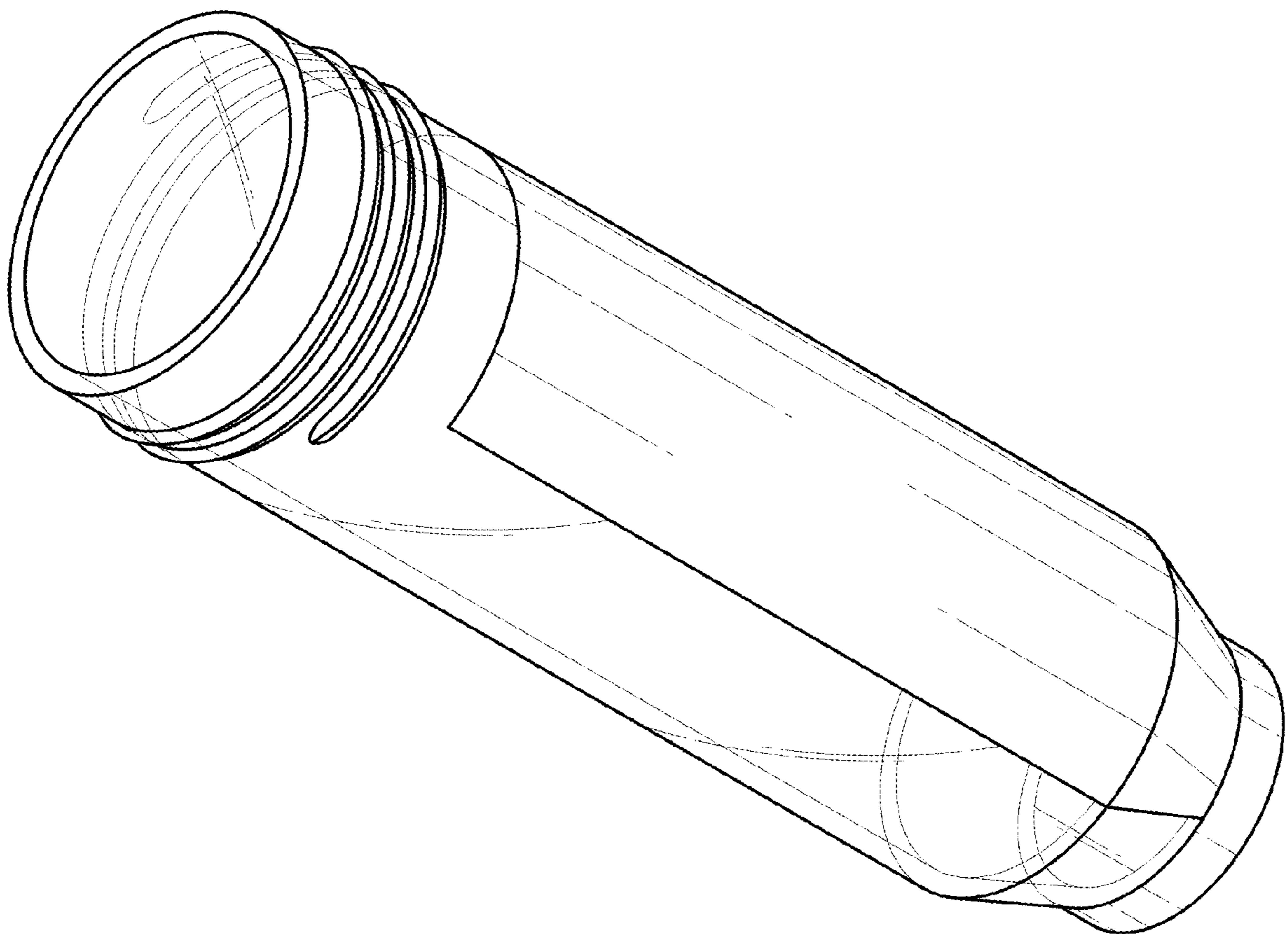


Fig. 2

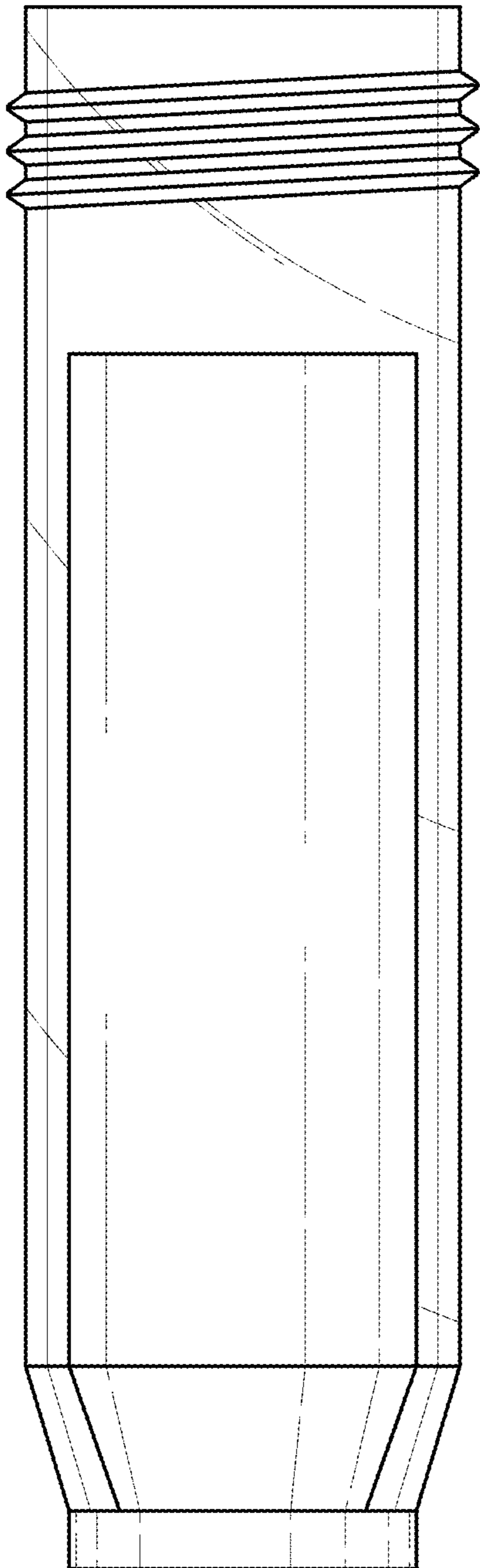


Fig. 3

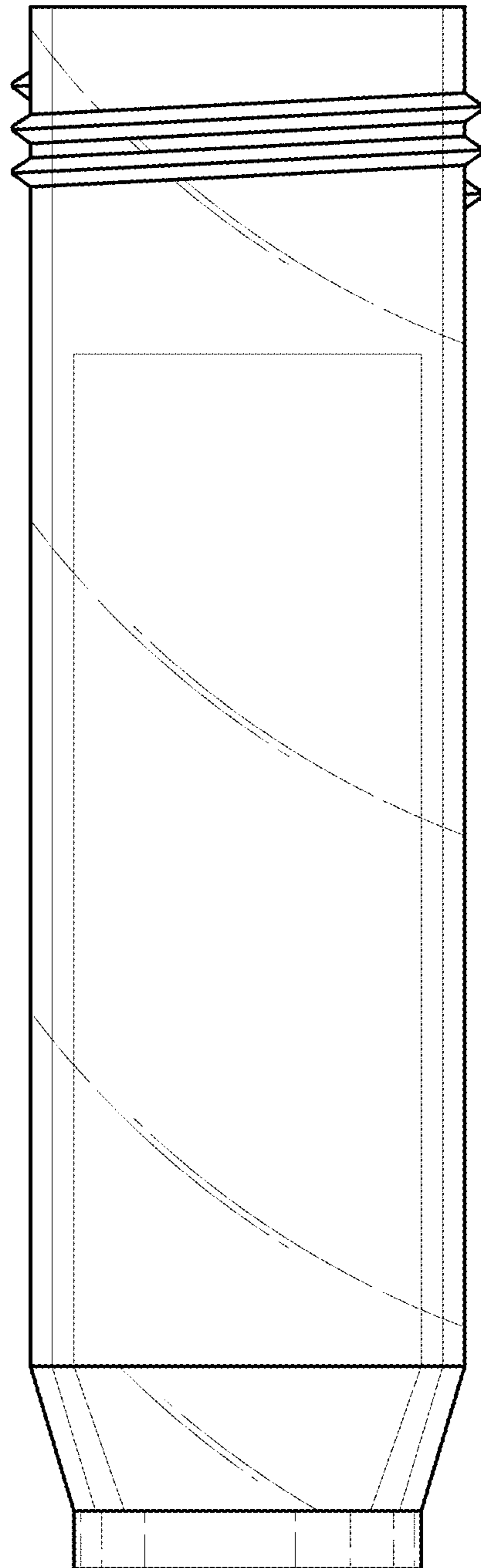


Fig. 4

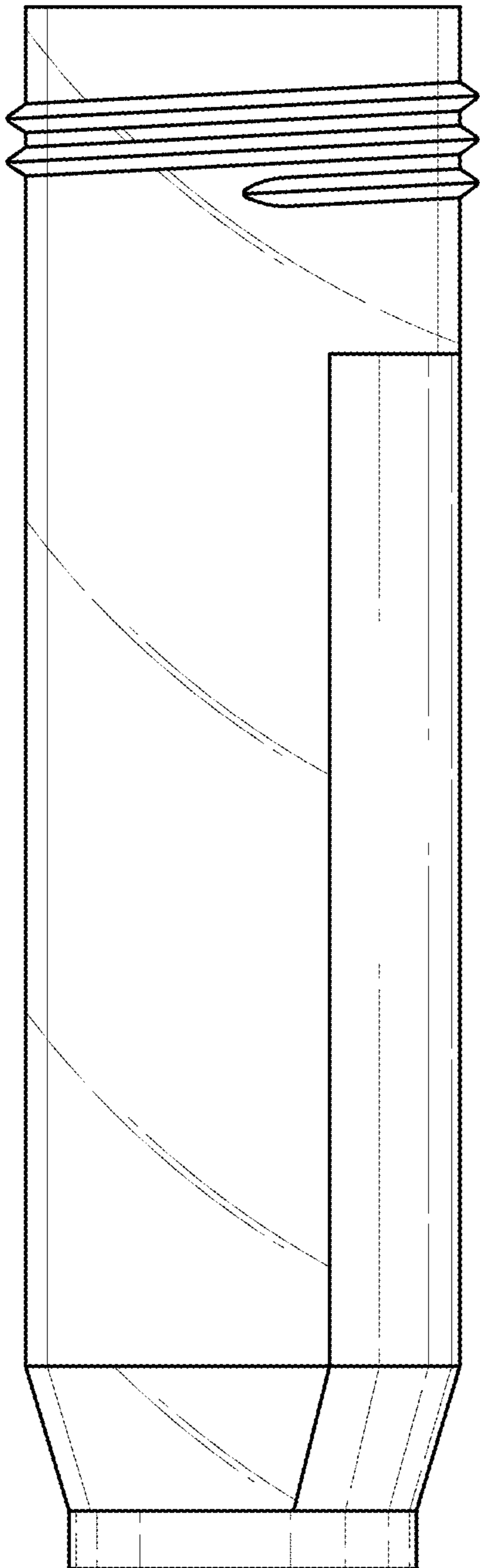


Fig. 5

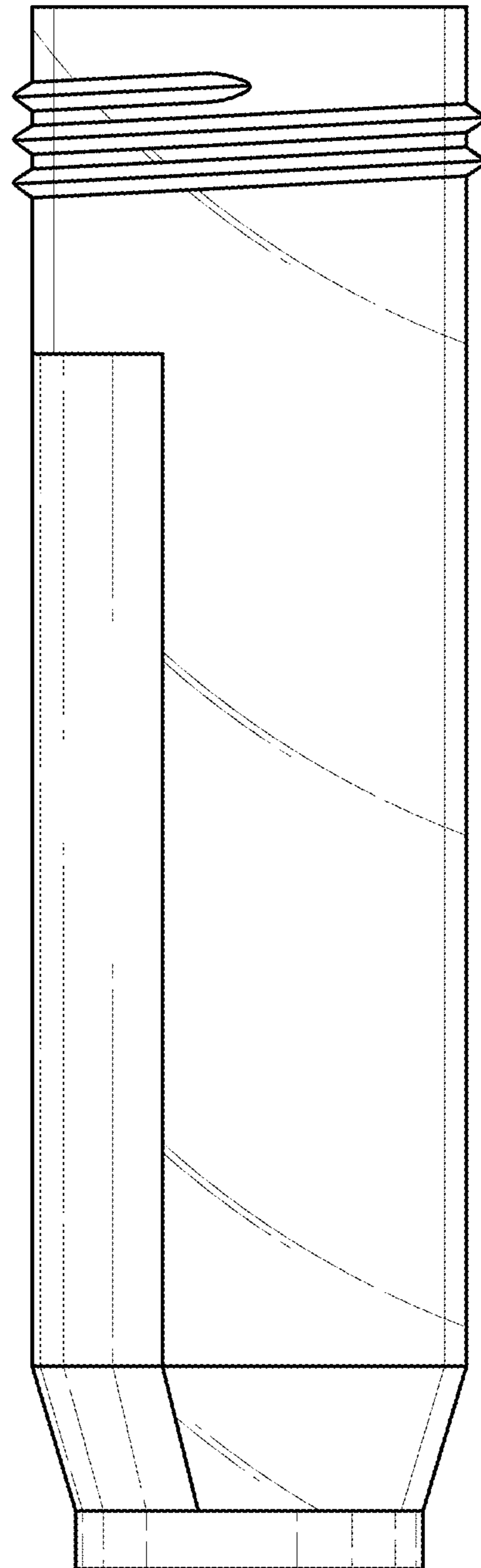


Fig. 6

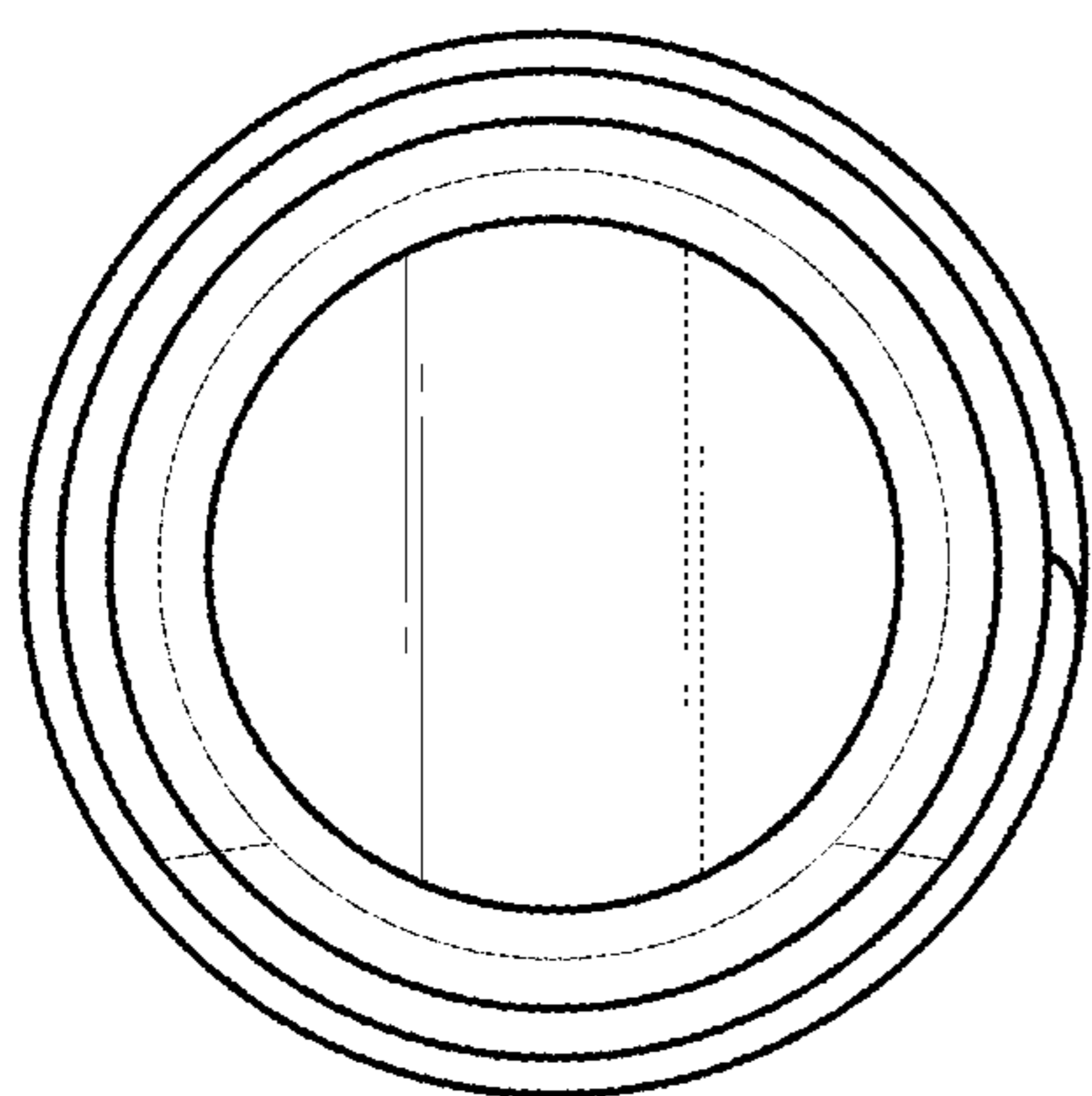


Fig. 7

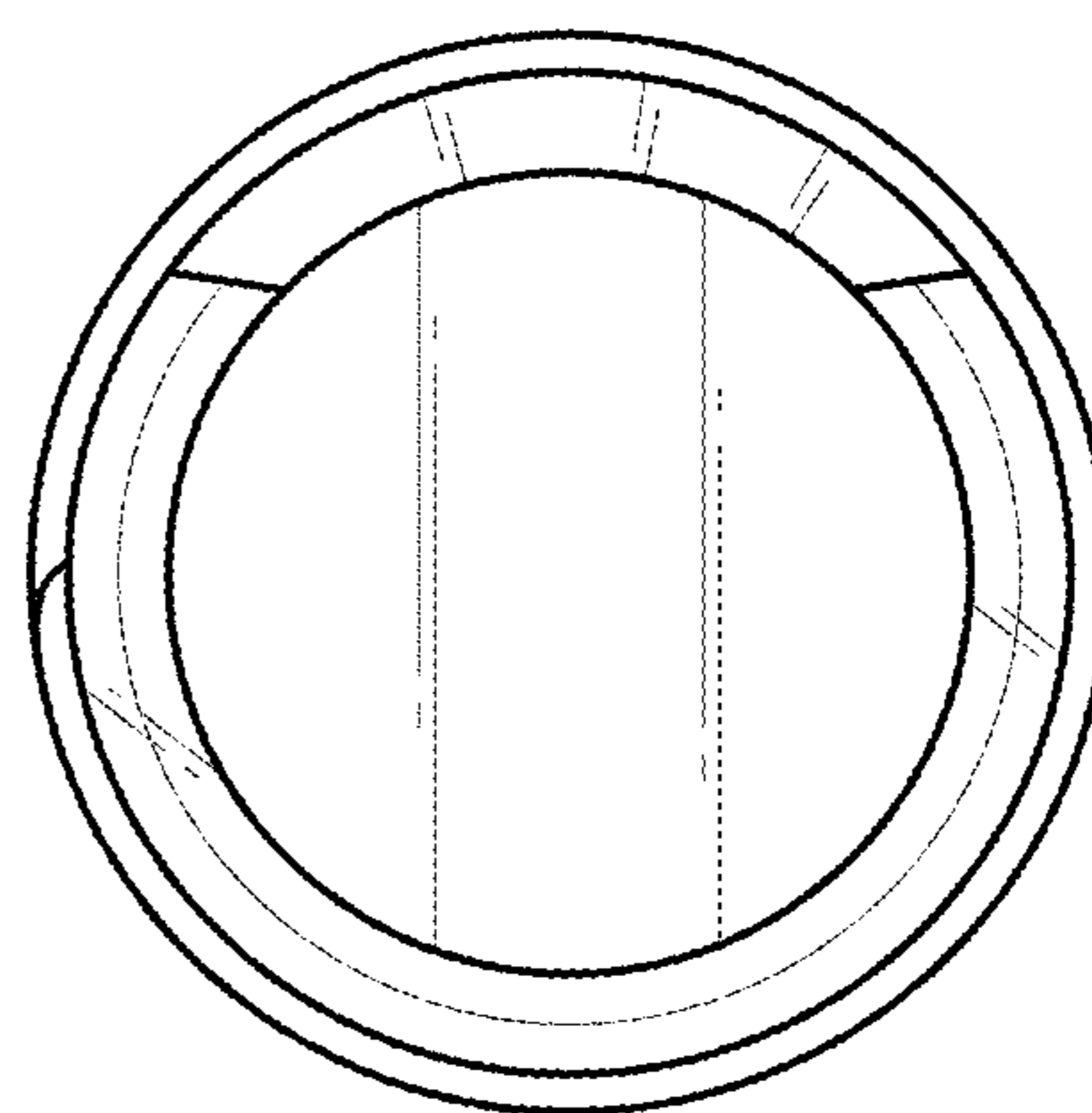


Fig. 8

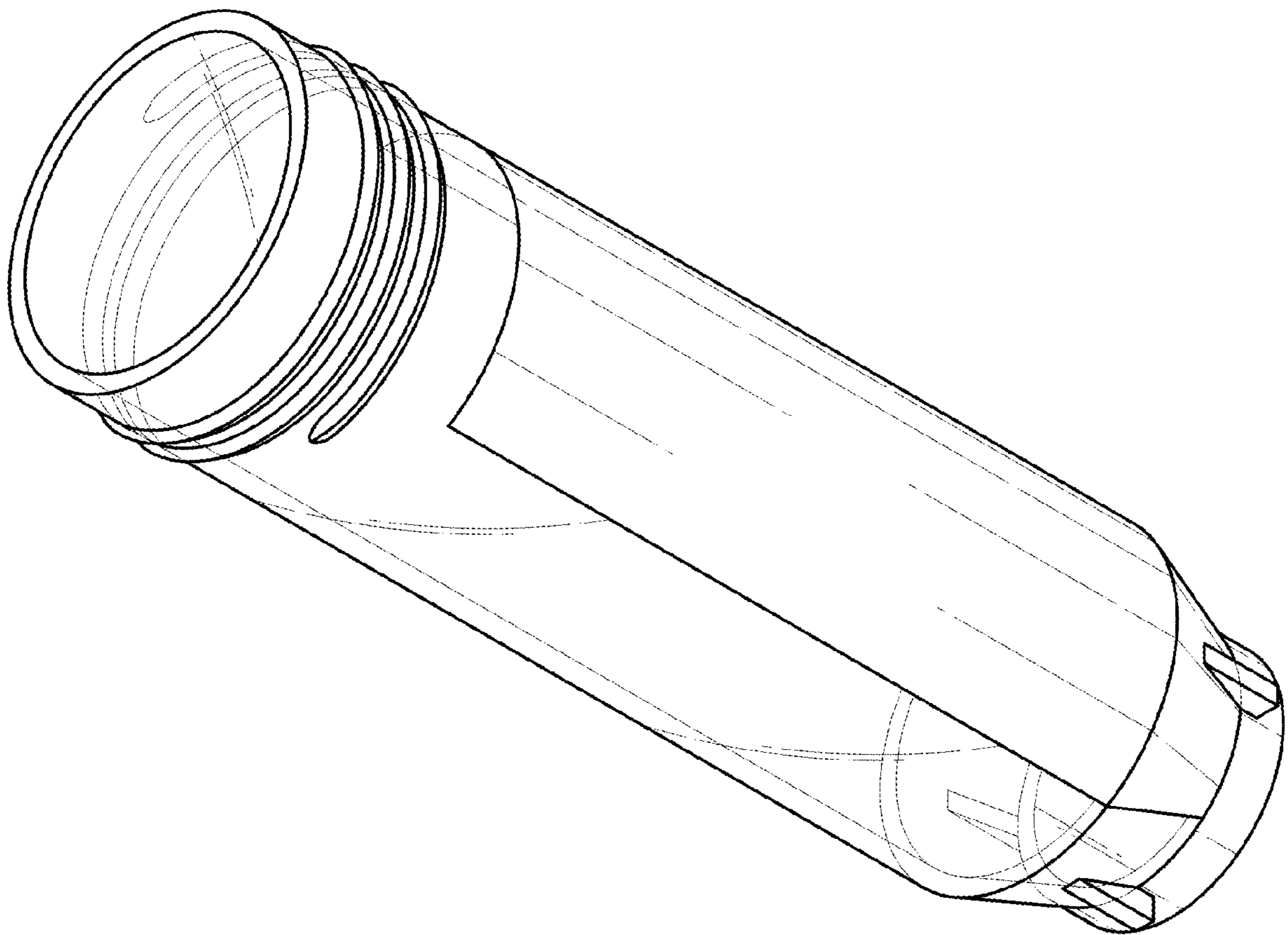


Fig. 9

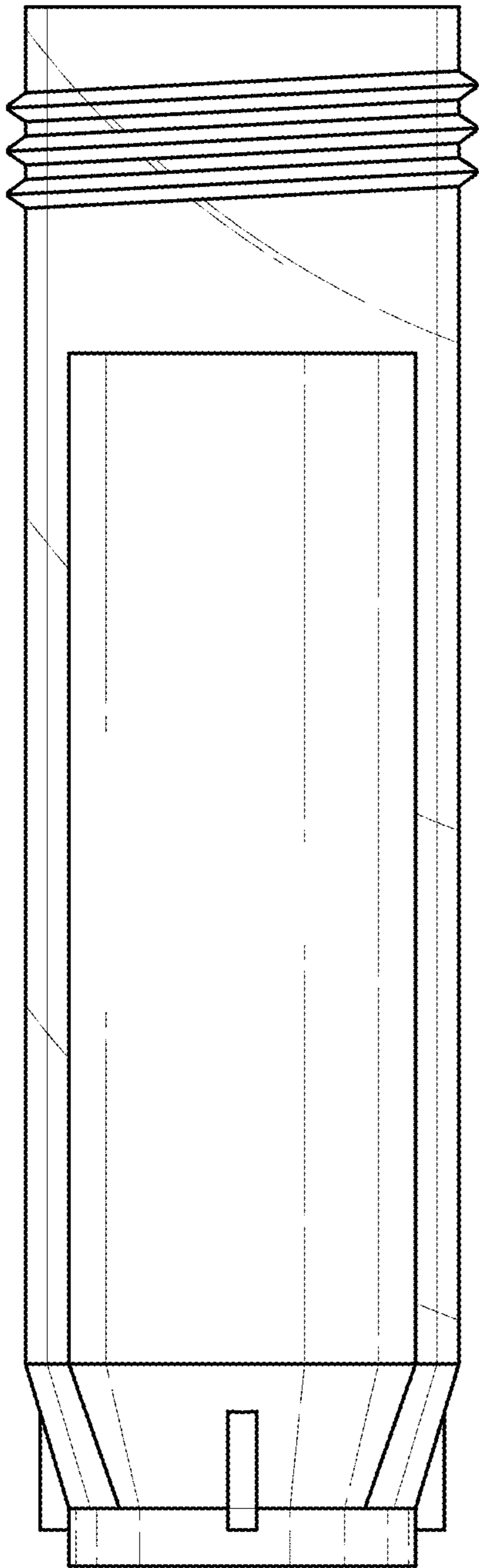


Fig. 10

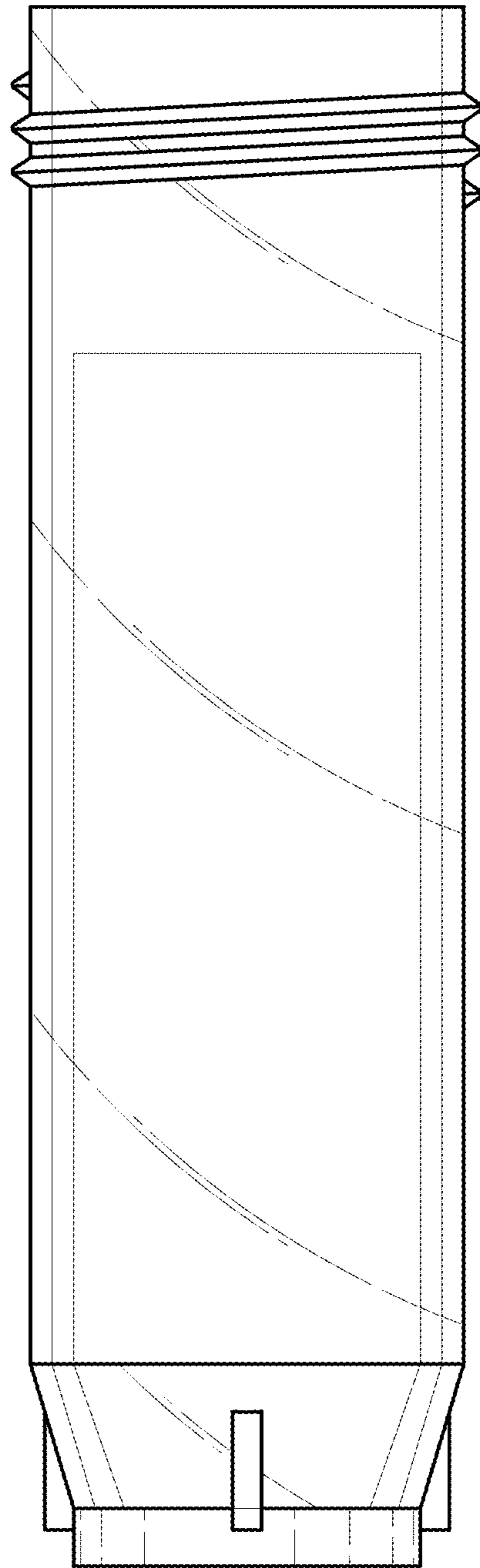


Fig. 11

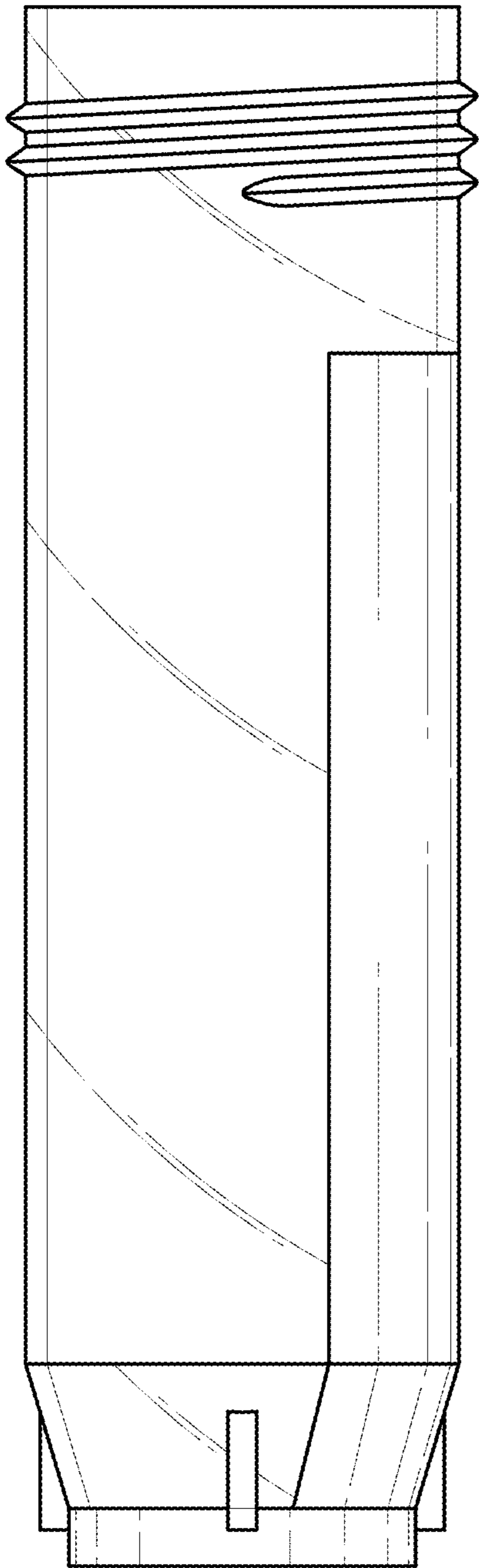


Fig. 12

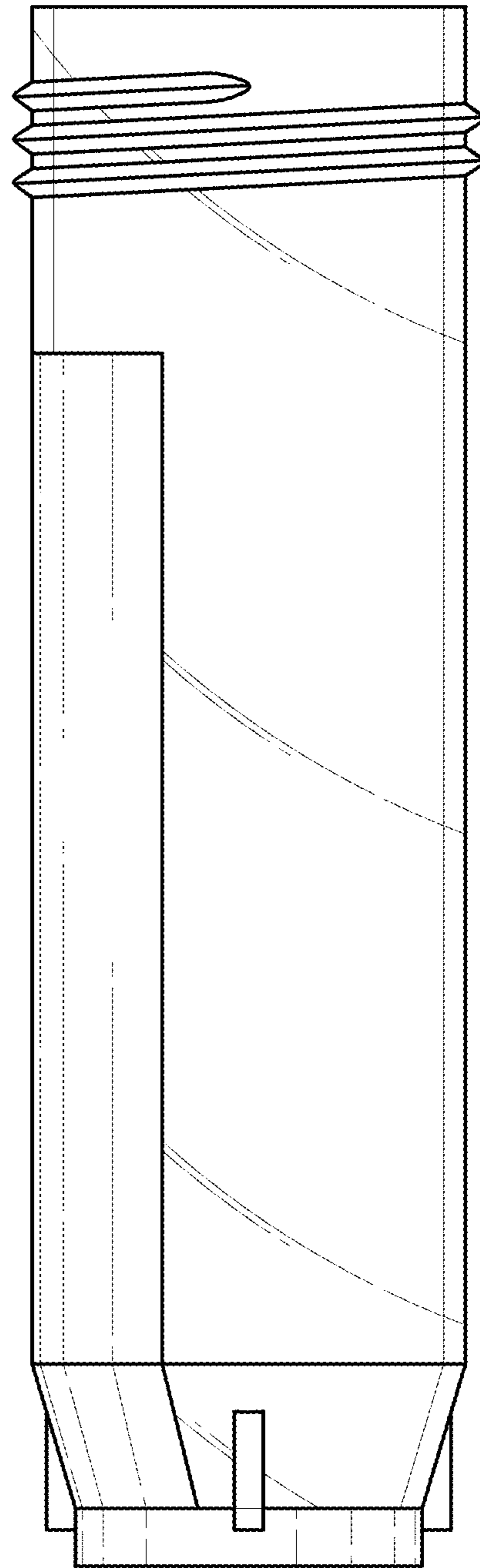


Fig. 13

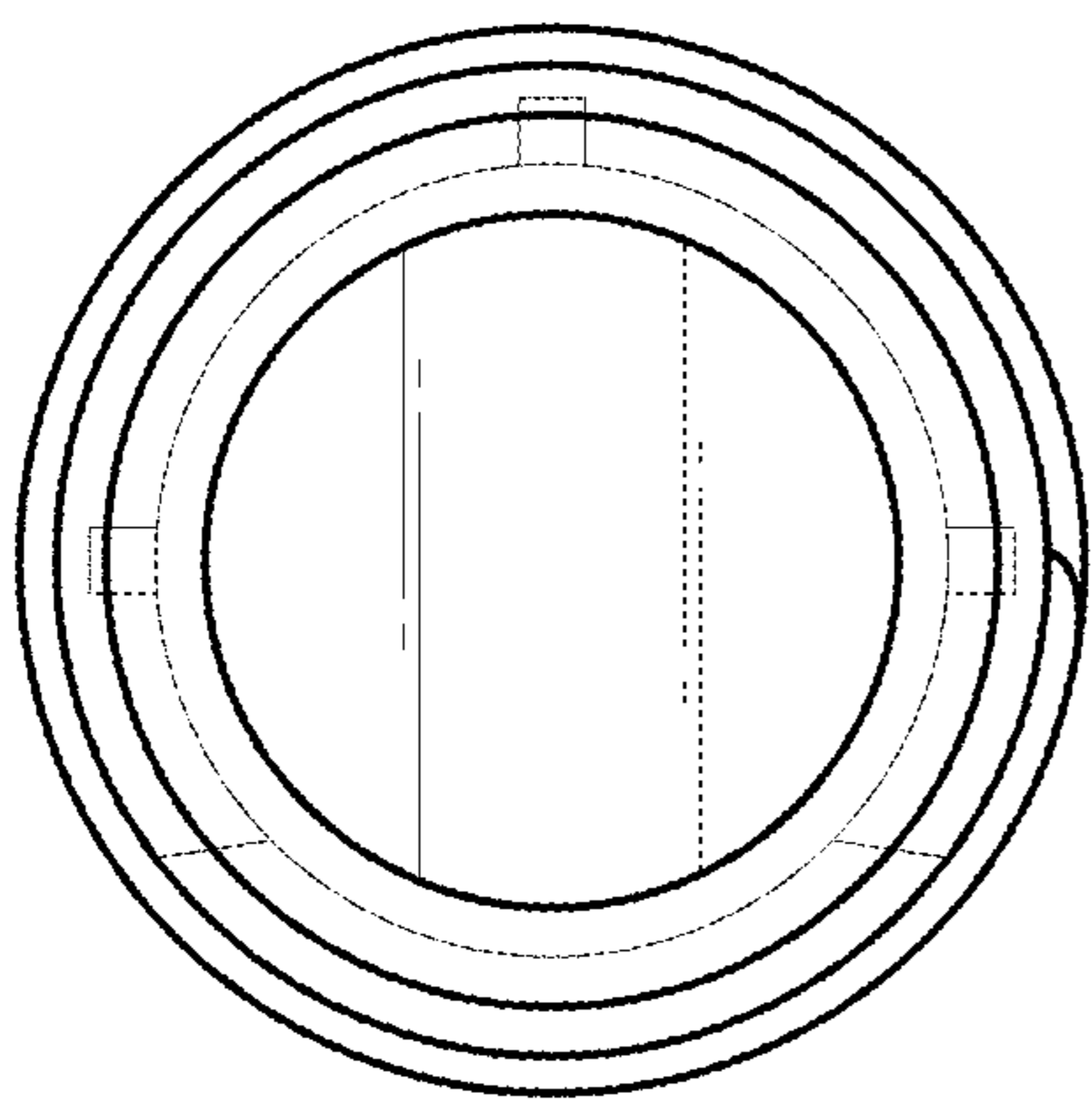


Fig. 14

