



US00D879318S

(12) **United States Design Patent**
Sanchez et al.

(10) **Patent No.:** **US D879,318 S**

(45) **Date of Patent:** **** Mar. 24, 2020**

(54) **PIPETTE**

(71) Applicant: **GILSON, INC.**, Middleton, WI (US)

(72) Inventors: **Marc Sanchez**, Paris (FR); **Tristan Berto**, Madison, WI (US)

(73) Assignee: **Gilson, Inc.**, Middleton, WI (US)

(**) Term: **15 Years**

(21) Appl. No.: **29/646,251**

(22) Filed: **May 2, 2018**

Related U.S. Application Data

(60) Continuation of application No. 29/580,717, filed on Oct. 12, 2016, now abandoned, which is a division of application No. 29/479,141, filed on Jan. 13, 2014, now Pat. No. Des. 772,426.

(51) **LOC (12) Cl.** **24-02**

(52) **U.S. Cl.**
USPC **D24/222**

(58) **Field of Classification Search**
USPC D24/216, 222–226, 231, 232;
D14/412–416; D21/324, 332, 331
CPC B01F 13/0025; B01J 2219/00292; B01J
2220/64; B01L 3/14; B01L 3/21; B01L
3/508; B01L 3/52–523
See application file for complete search history.

(56) **References Cited**

U.S. PATENT DOCUMENTS

D284,983 S * 8/1986 Liu D14/416
D303,815 S * 10/1989 Kim D14/416
D371,773 S * 7/1996 Sanchez D14/412
D438,630 S * 3/2001 Honore D24/222
D561,346 S * 2/2008 Alejos D24/222
D589,625 S * 3/2009 Alejos D24/222

D595,419 S * 6/2009 Alejos D24/222
D596,754 S * 7/2009 Cote D24/222
D596,755 S * 7/2009 Labak D24/222
D596,756 S * 7/2009 Ayliffe D24/222
D599,030 S * 8/2009 Cote D24/222
D625,429 S * 10/2010 Link D24/222
D635,273 S * 3/2011 Malvoisin D24/222
D645,046 S * 9/2011 Hobenshield D14/412
D705,437 S * 5/2014 Chamberlin D24/216
9,393,561 B2 * 7/2016 Link B01L 3/0217
D807,525 S * 1/2018 Sanchez D24/222

OTHER PUBLICATIONS

Rainin EDP3 Advanced Ergonomic Electronic Pipette. Online, published date unknown. Retrieved on Jun. 29, 2019 from URL: <https://www.paramit.com/portfolio-item/rainin-edp3/>.*

* cited by examiner

Primary Examiner — Susan Bennett Hattan

Assistant Examiner — Omeed Agilee

(74) *Attorney, Agent, or Firm* — Quarles & Brady LLP

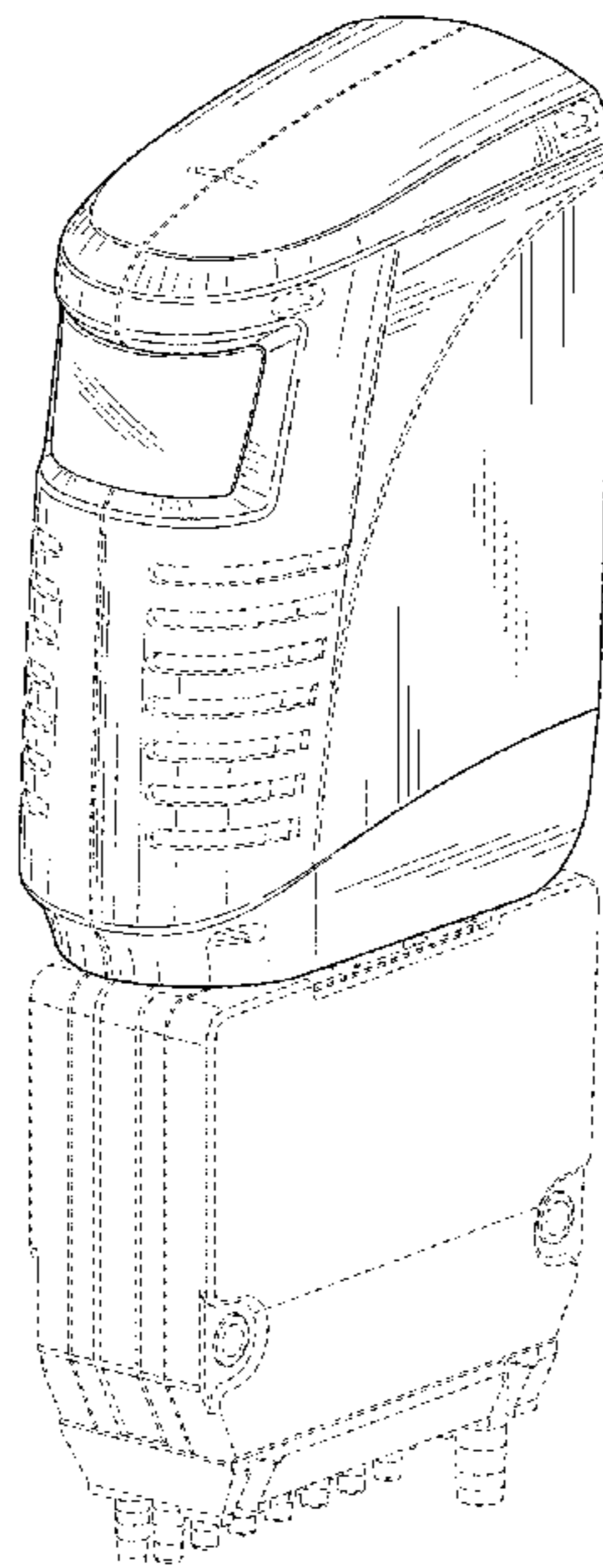
(57) **CLAIM**

The ornamental design for a pipette, as shown and described.

DESCRIPTION

FIG. 1 is a front, top, and right side isometric view of a pipette;
FIG. 2 is a front elevational view thereof;
FIG. 3 is a rear elevational view thereof;
FIG. 4 is a right side elevational view thereof;
FIG. 5 is a left side elevational view thereof; and,
FIG. 6 is a top plan view thereof.
The broken lines are for the purpose of illustrating environmental structure and form no part of the claimed design.

1 Claim, 5 Drawing Sheets



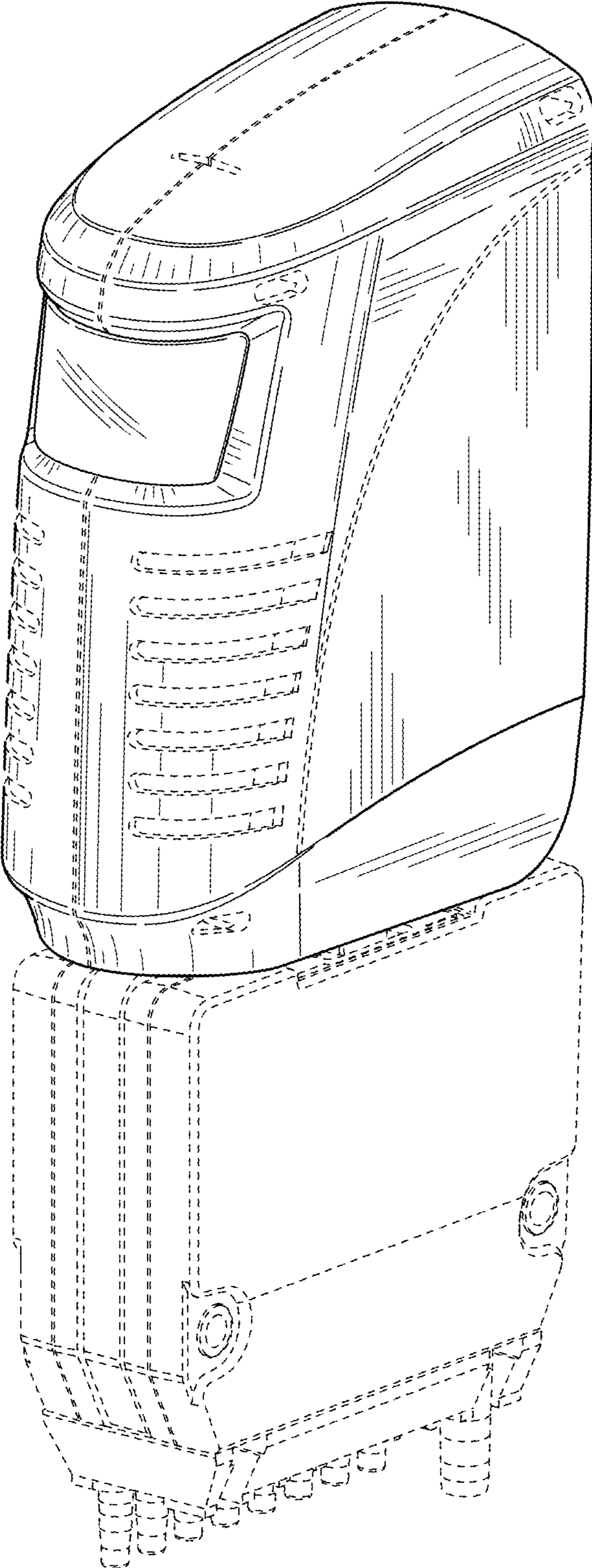


FIG. 1

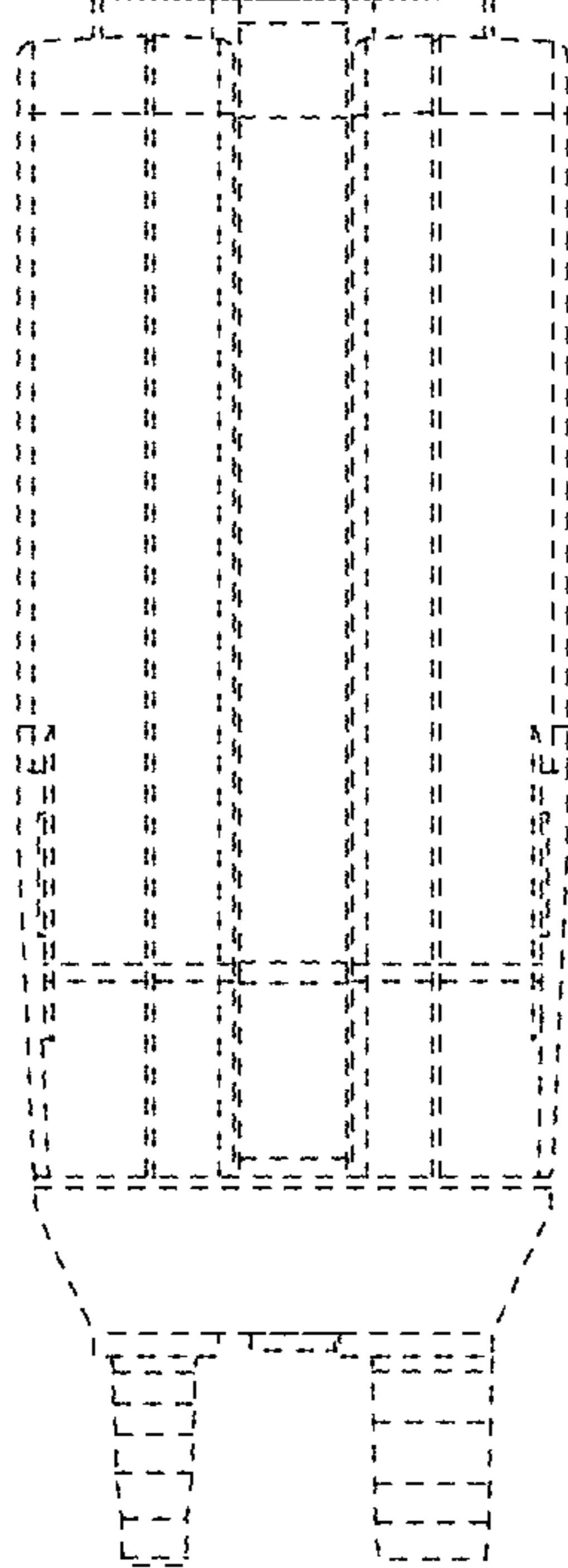
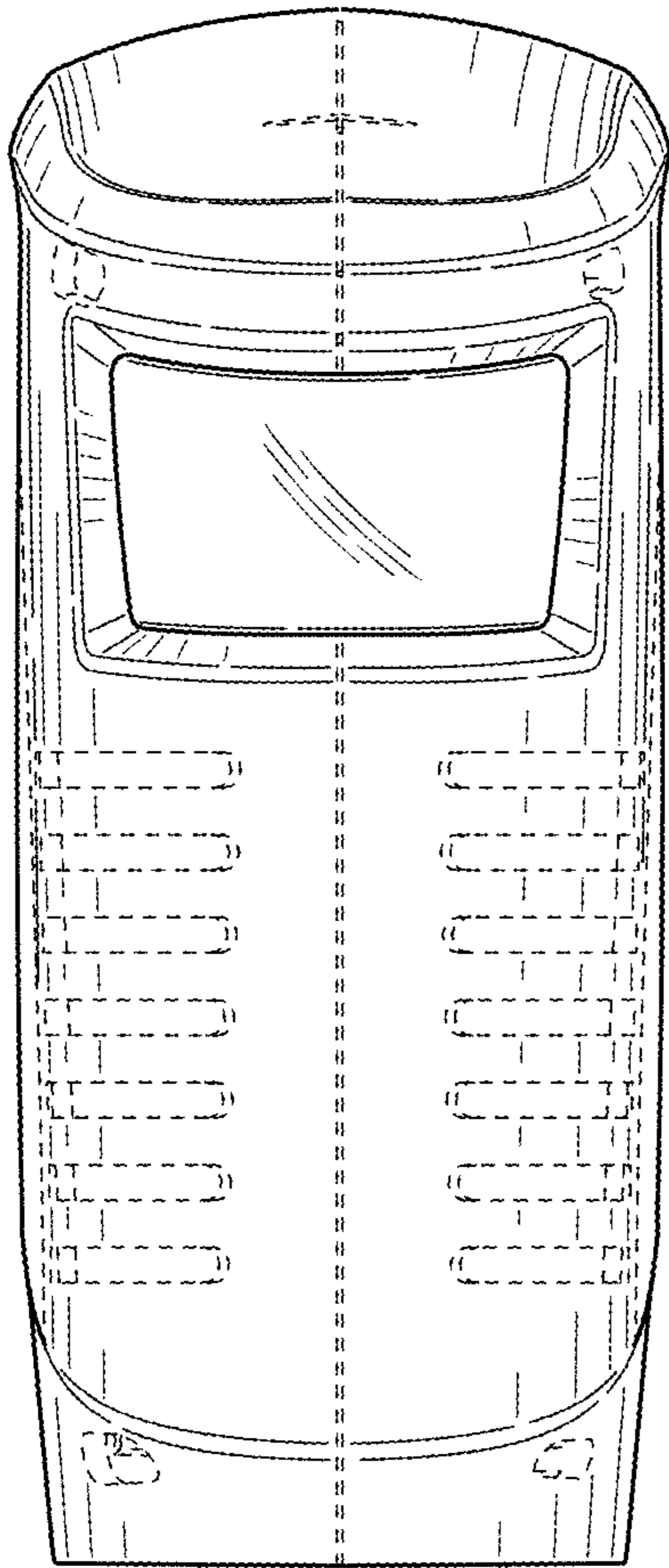


FIG. 2

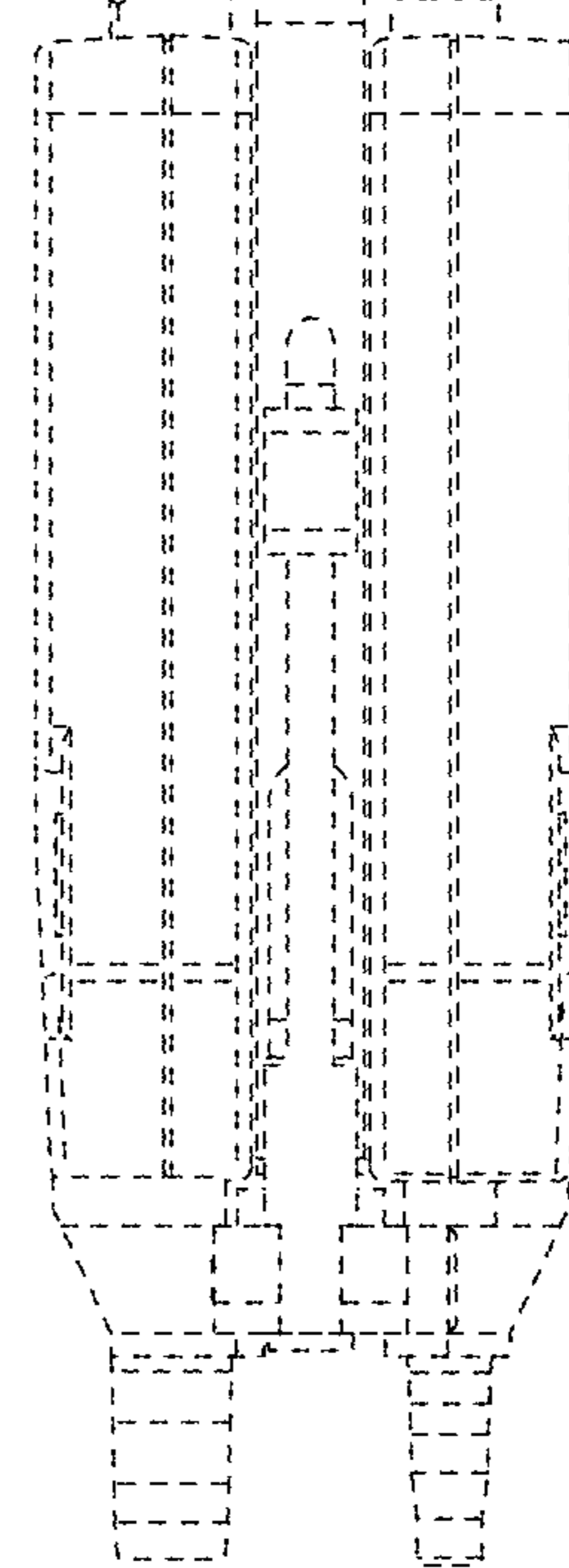
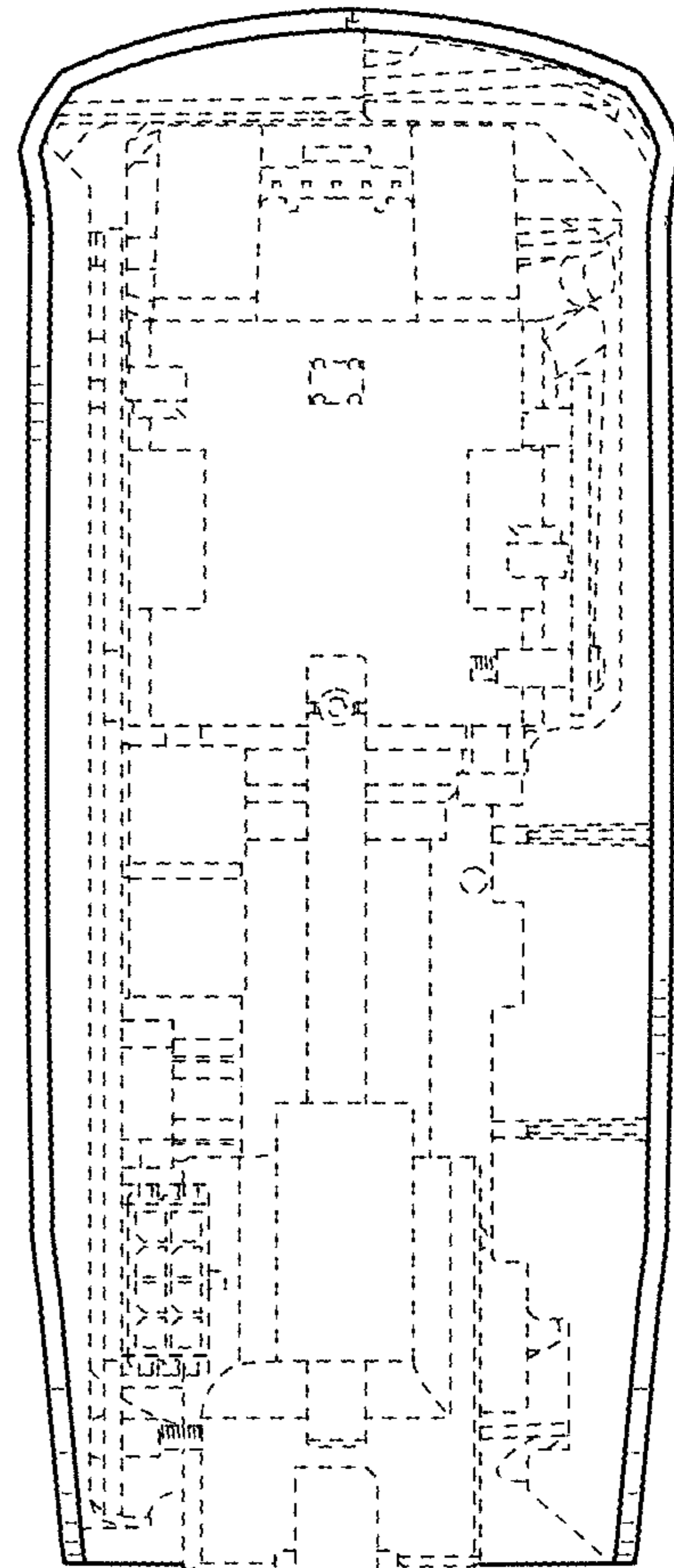


FIG. 3

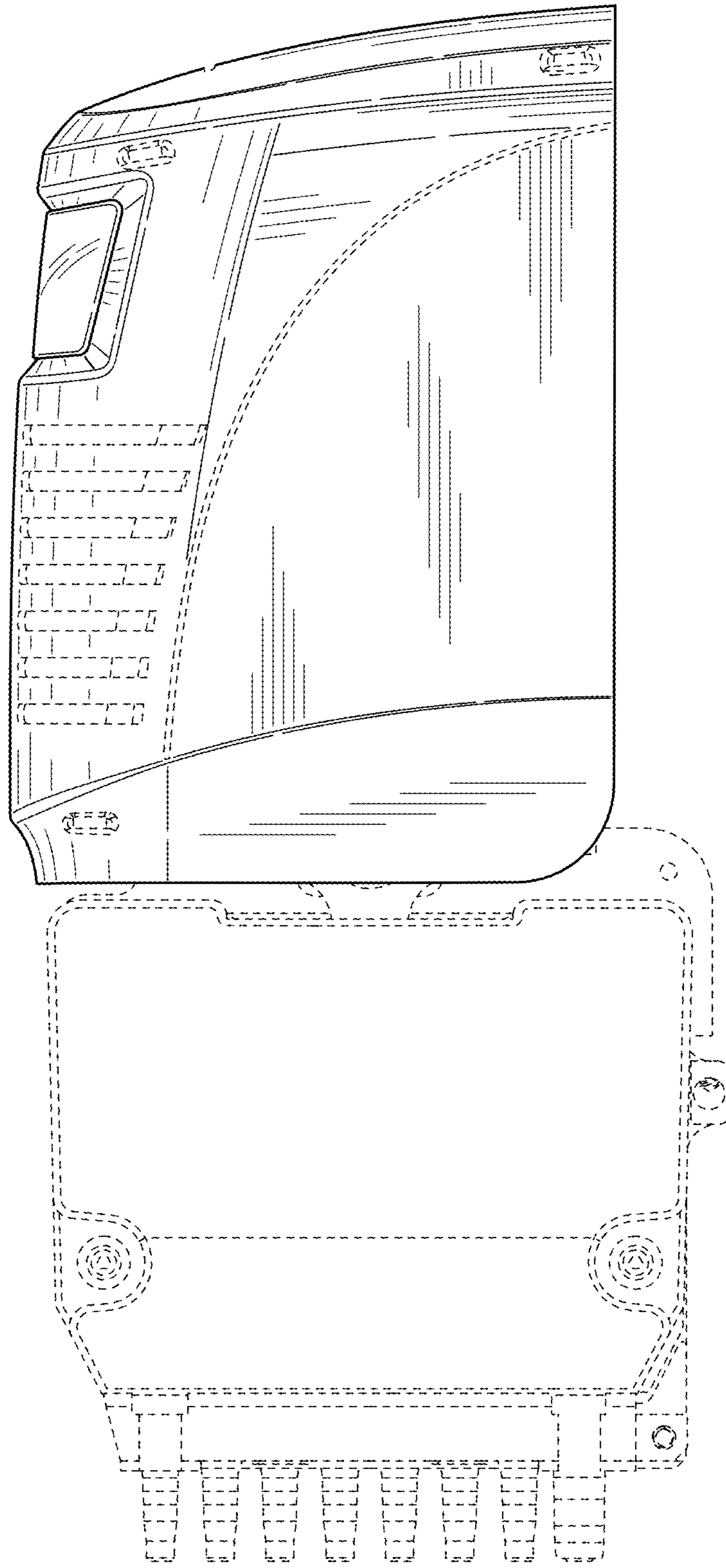


FIG. 4

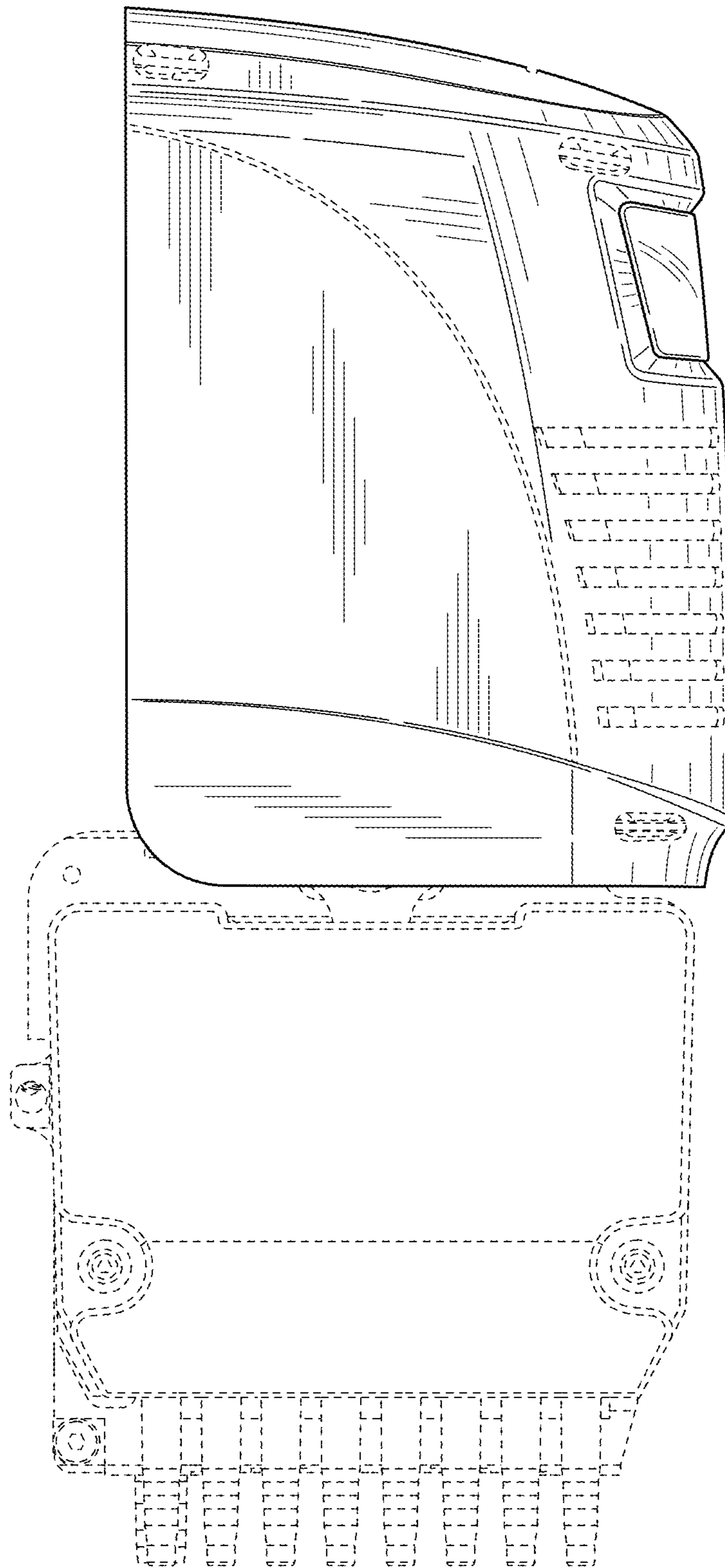


FIG. 5

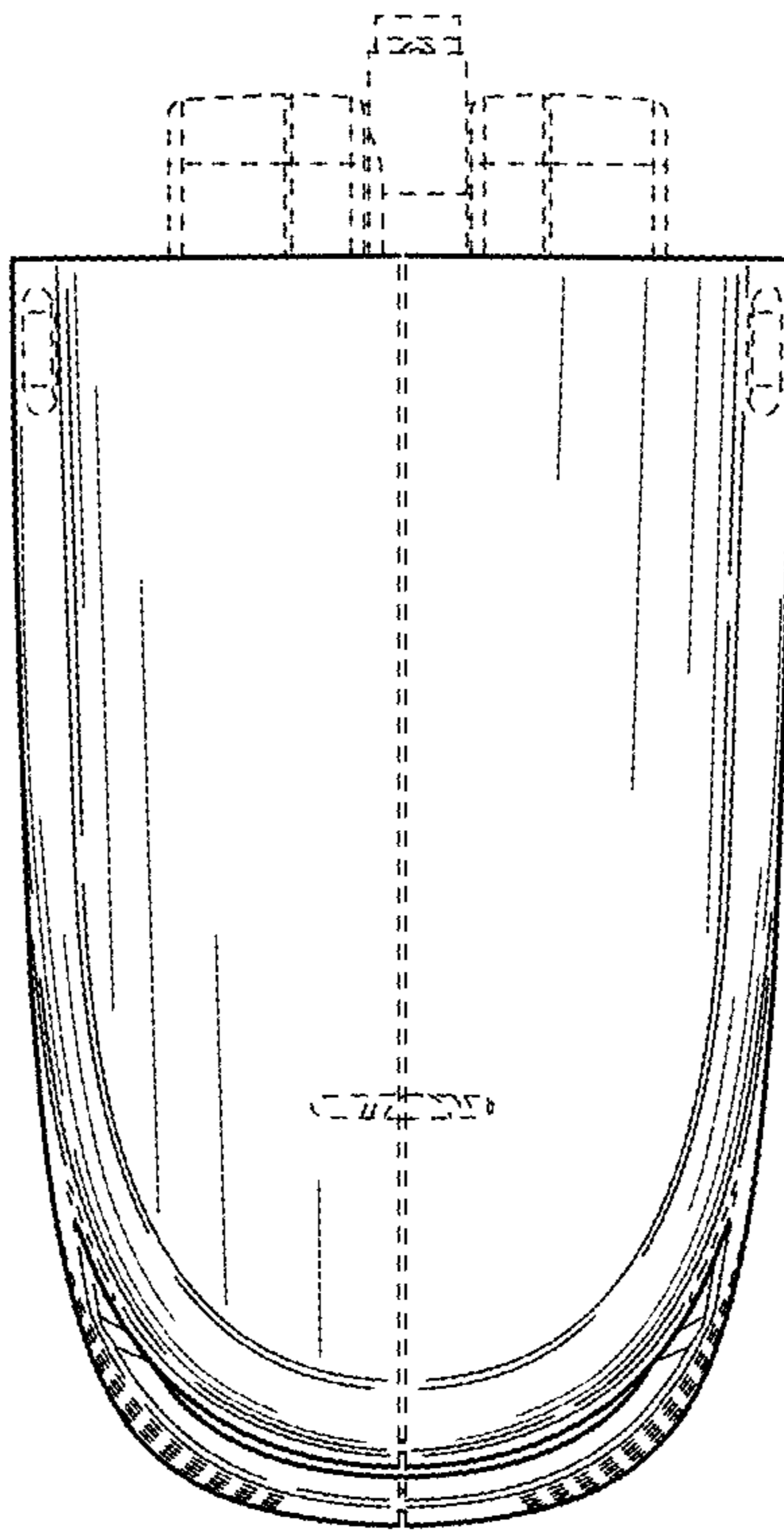


FIG. 6