



US00D879317S

(12) **United States Design Patent**  
**Ullman**

(10) **Patent No.:** **US D879,317 S**  
(45) **Date of Patent:** **\*\* Mar. 24, 2020**

(54) **LUNG BOX**

(71) Applicant: **Spiration, Inc.**, Redmond, WA (US)

(72) Inventor: **Joseph Ullman**, Seattle, WA (US)

(73) Assignee: **SPIRATION, INC.**, Redmond, WA (US)

(\*\*) Term: **15 Years**

(21) Appl. No.: **29/674,217**

(22) Filed: **Dec. 20, 2018**

(51) **LOC (12) Cl.** ..... **24-01**

(52) **U.S. Cl.**  
USPC ..... **D24/216; D24/163**

(58) **Field of Classification Search**  
USPC ..... D24/107, 163, 186, 216, 217, 224, 231,  
D24/232, 108, 111, 164; D30/108, 117,  
D30/199

CPC .... A61G 11/00; A61G 11/002; A61G 11/005;  
A61G 11/009; A01N 1/0273; A01N  
1/0247; A01N 1/0268; A01N 1/02; A61M  
16/0009; A61M 16/0063

See application file for complete search history.

(56) **References Cited**

**U.S. PATENT DOCUMENTS**

D335,965 S \* 6/1993 Spring ..... D30/108  
D567,948 S \* 4/2008 Tierney ..... D24/163

D609,342 S \* 2/2010 Chen ..... D24/158  
D642,697 S \* 8/2011 Gafvert ..... D24/216  
D672,466 S \* 12/2012 Kravitz ..... D24/216  
D787,696 S \* 5/2017 Schmieta ..... D24/216  
10,112,509 B1 \* 10/2018 Robertson ..... B60N 2/2884  
D839,442 S \* 1/2019 Dohm ..... D24/216  
D845,180 S \* 4/2019 Lait ..... D24/163  
2015/0342177 A1 \* 12/2015 Hassanein ..... A01N 1/0247  
435/284.1  
2019/0351162 A1 \* 11/2019 Parker ..... A61M 16/0057

\* cited by examiner

*Primary Examiner* — Anhdao Doan

(57) **CLAIM**

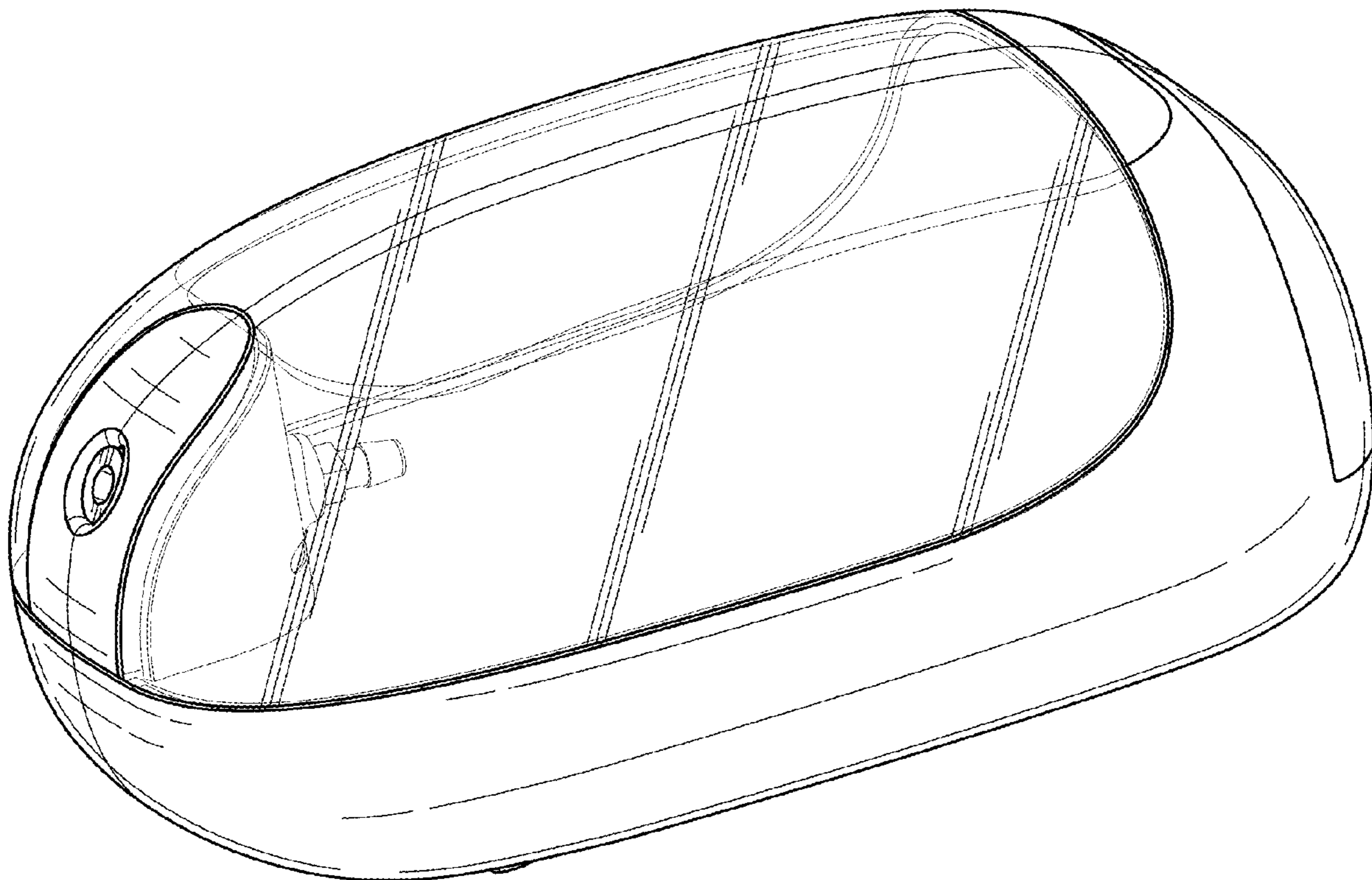
The ornamental design for a lung box, as shown and described.

**DESCRIPTION**

FIG. 1 is an perspective view;  
FIG. 2 is a front elevation view;  
FIG. 3 is a rear elevation view;  
FIG. 4 is a right side elevation view;  
FIG. 5 is a top plan view; and,  
FIG. 6 is a bottom plan view.

The broken lines show portions of the lung box that form no part of the claimed design; the broken lines form no part of the claimed design.

**1 Claim, 5 Drawing Sheets**



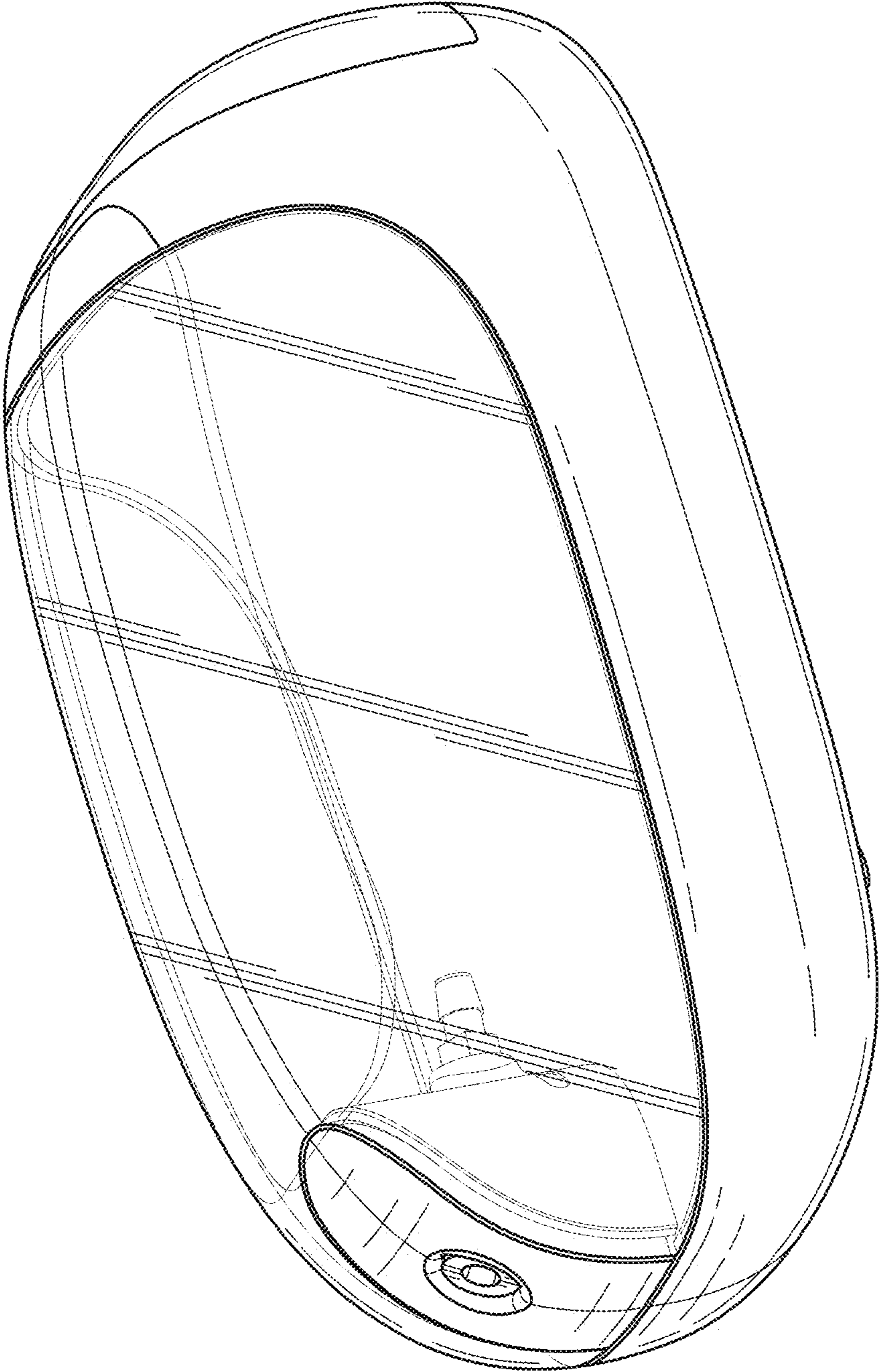


FIG. 1

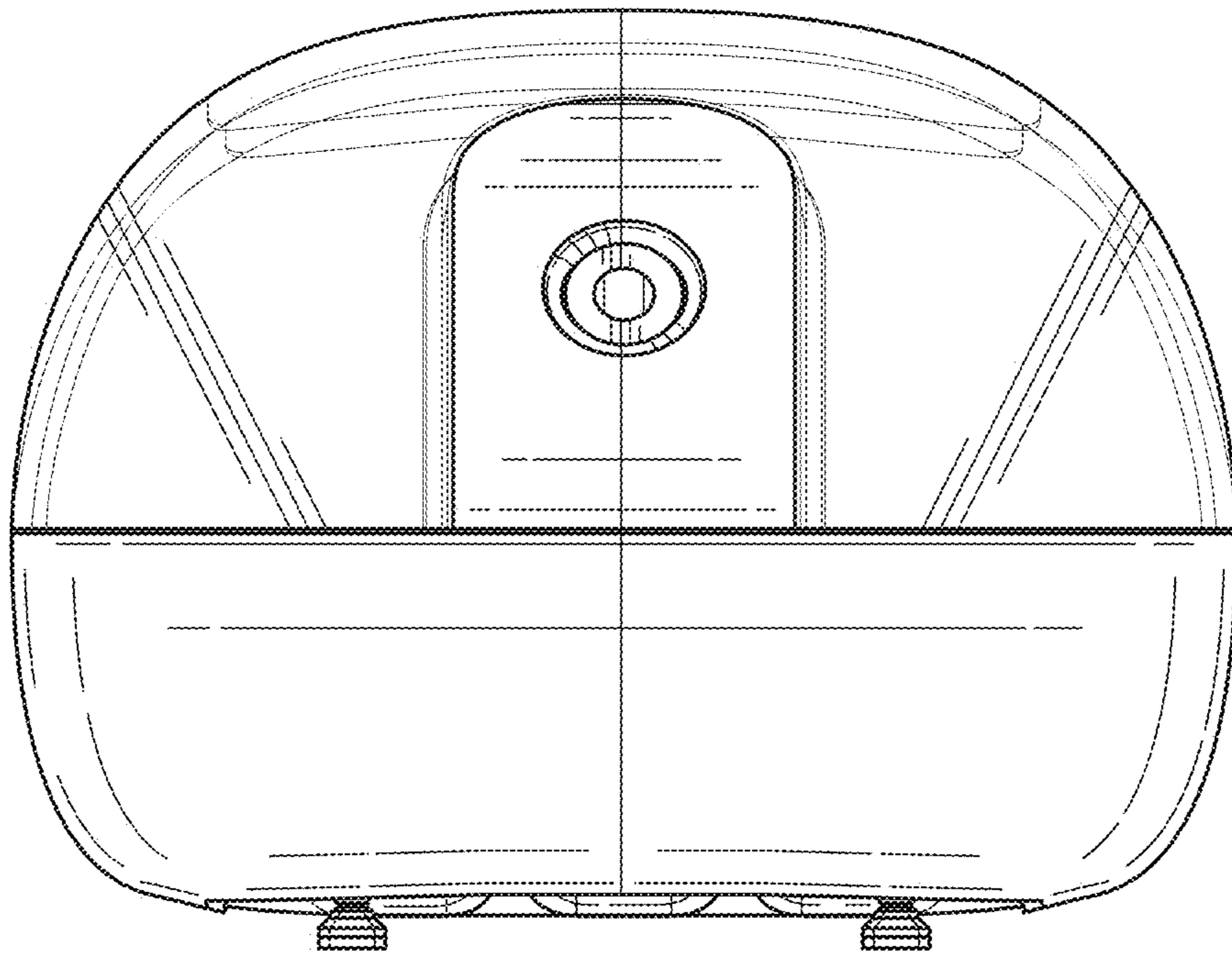


FIG. 2

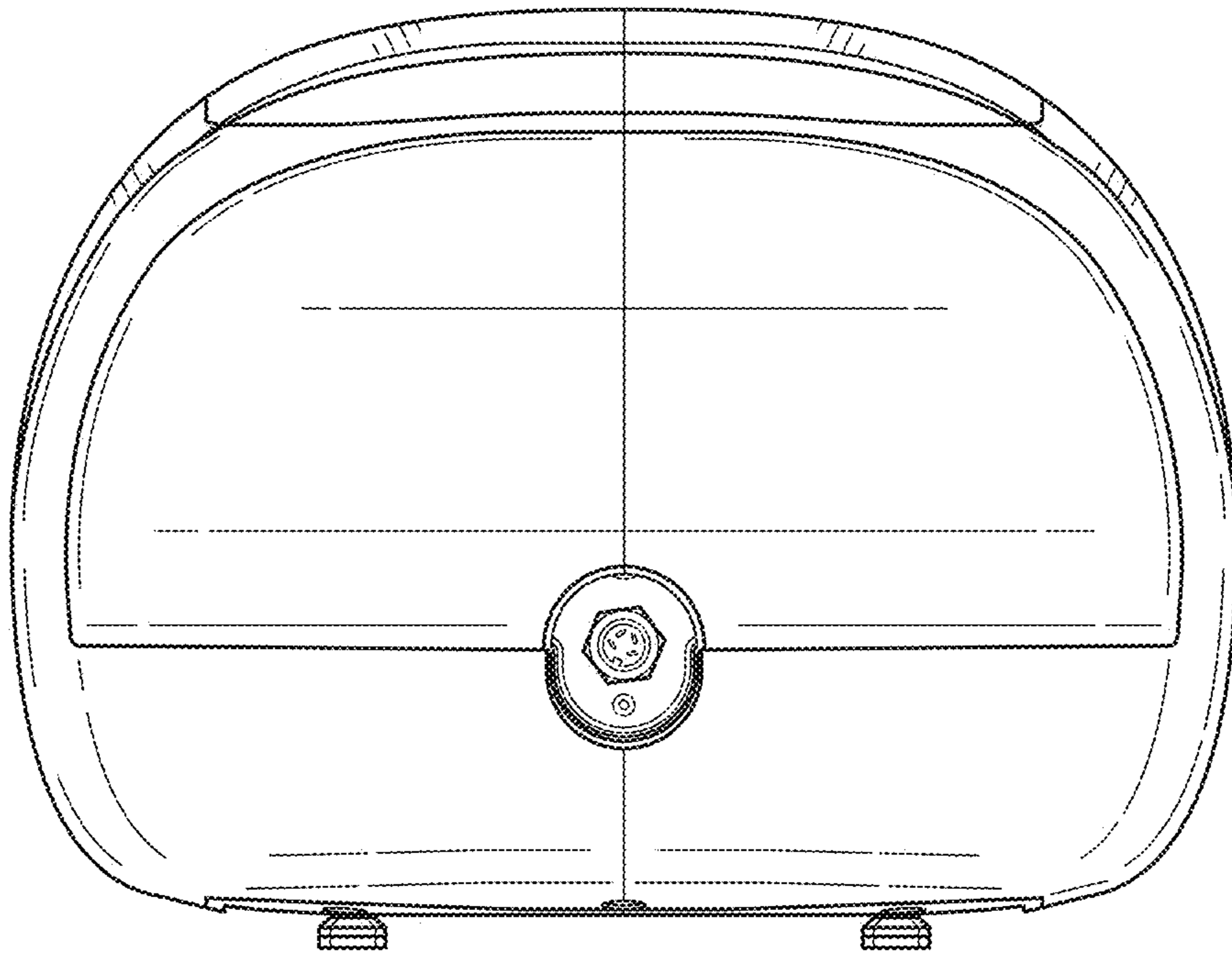


FIG. 3

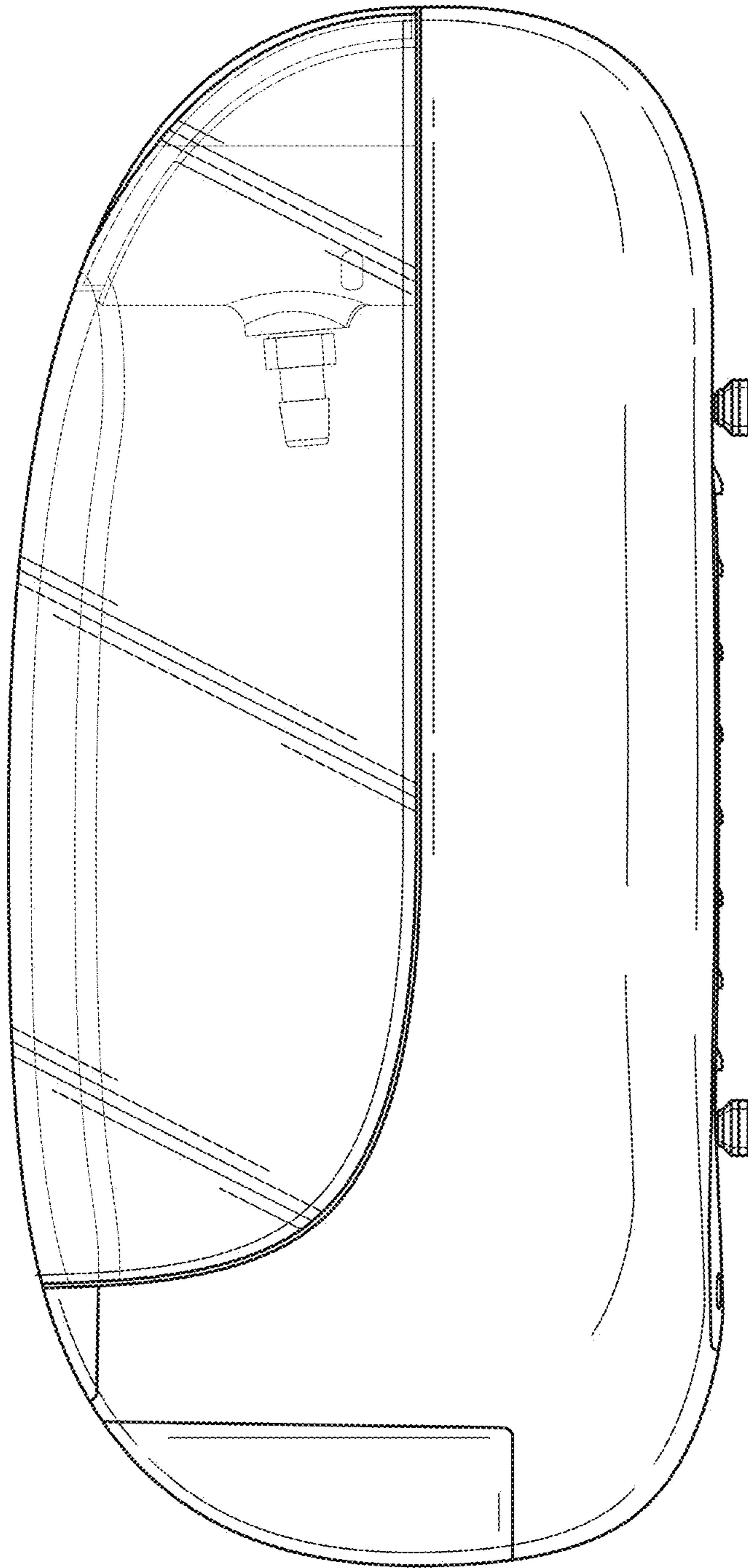


FIG. 4

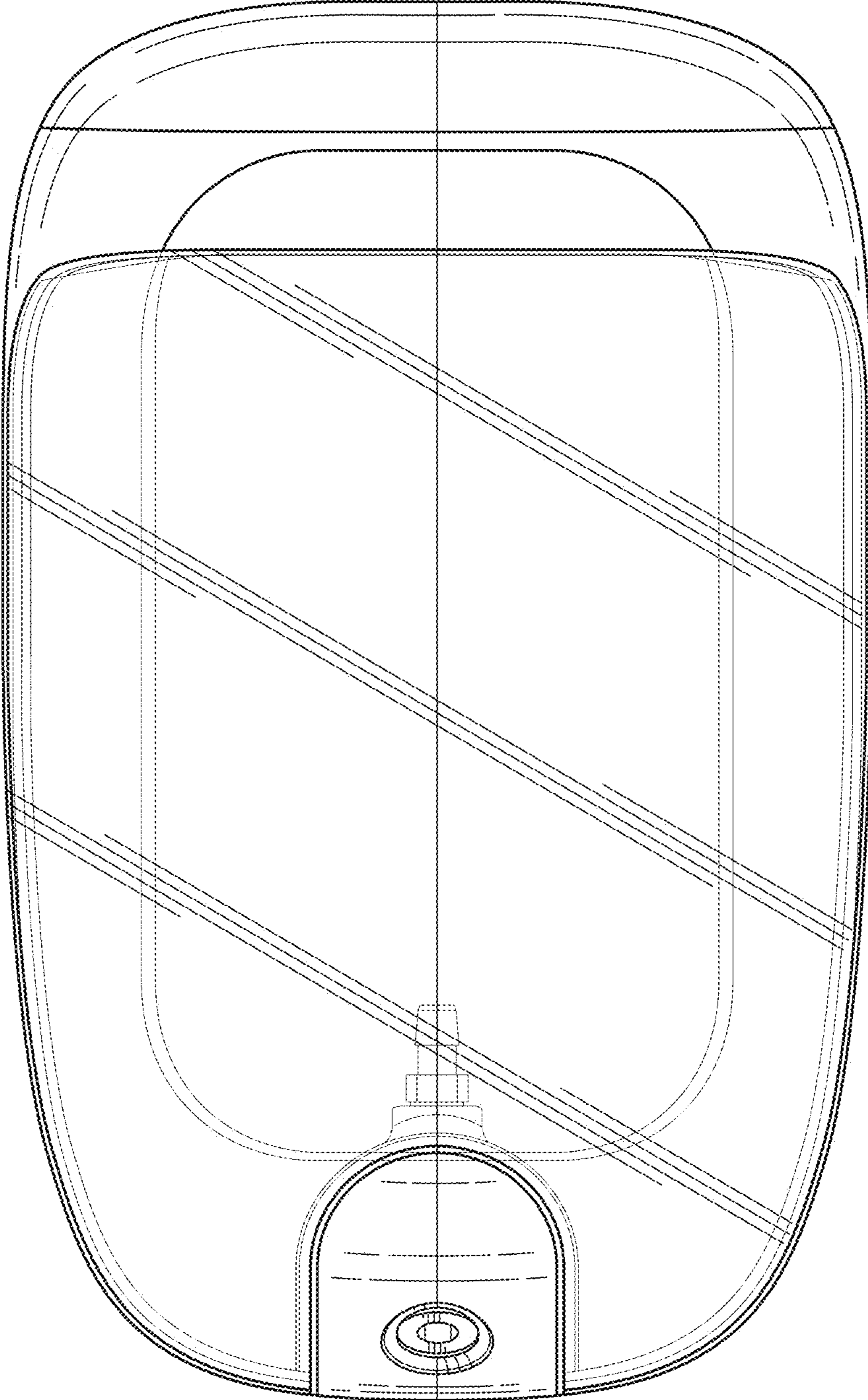


FIG. 5

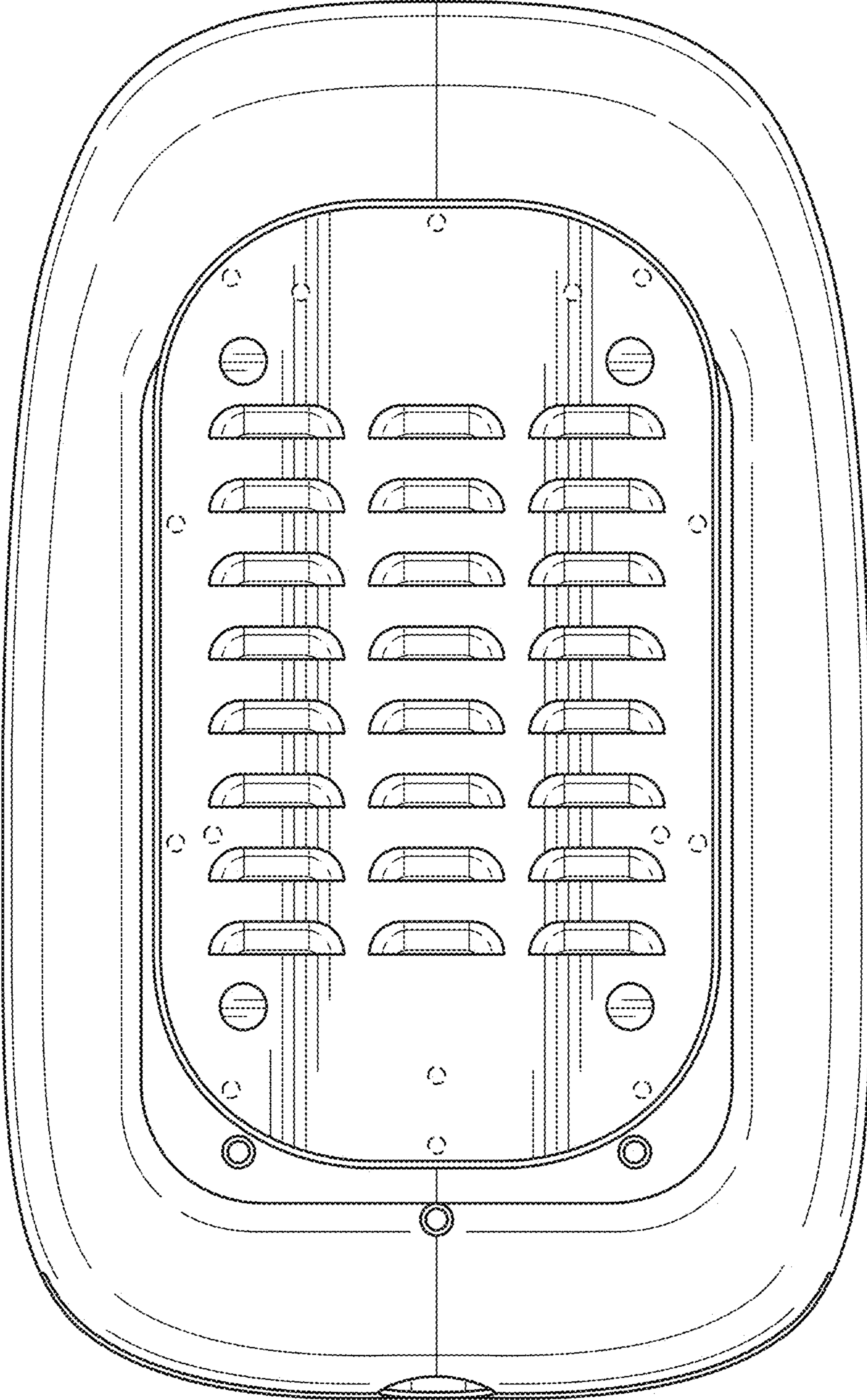


FIG. 6