



US00D879315S

(12) **United States Design Patent**
Glasgow et al.

(10) **Patent No.:** **US D879,315 S**
(45) **Date of Patent:** **** Mar. 24, 2020**

(54) **PIVOT TAB**
(71) Applicant: **Forward Biotech, Inc.**, Averill Park, NY (US)
(72) Inventors: **Ian K. Glasgow**, Averill Park, NY (US); **Ian White**, Philadelphia, PA (US); **Ian McDermott**, Lincoln University, PA (US)
(73) Assignee: **Forward Biotech, Inc.**, Troy, NY (US)

5,173,266 A 12/1992 Kenney
D360,031 S * 7/1995 Davis D24/169
5,460,782 A 10/1995 Coleman et al.
5,518,006 A * 5/1996 Mawhirt A61B 5/15142
600/583
D375,450 S * 11/1996 Bidwell D8/356
5,599,502 A 2/1997 Miyazaki et al.
D455,493 S * 4/2002 Crawford D24/128
6,401,769 B1 6/2002 Backes et al.
6,531,098 B1 3/2003 Kenney
D547,863 S * 7/2007 Heinsch D24/128
(Continued)

(**) Term: **15 Years**

FOREIGN PATENT DOCUMENTS

(21) Appl. No.: **29/599,045**

WO 2015-099532 A1 7/2015

(22) Filed: **Mar. 30, 2017**

Primary Examiner — Barbara Fox

(51) **LOC (12) Cl.** **24-01**

Assistant Examiner — Mary Shannon Malley

(52) **U.S. Cl.**

(74) *Attorney, Agent, or Firm* — LaBatt, LLC

USPC **D24/216**

(58) **Field of Classification Search**

(57) **CLAIM**

USPC D24/216–232, 107, 108, 119, 121, 162, D24/169, 186, 201, 233, 234; D10/81; 422/553; 435/297.5, 305.3

The ornamental design for a pivot tab, as shown and described.

CPC G01N 2035/00306; G01N 2035/00326; G01N 2035/00336; G01N 2035/00029; G01N 2035/0401; G01N 2035/0403; G01N 2035/0405; G01N 2035/00019; G01N 2030/027; G01N 35/08; G01N 35/02; G01N 35/021; G01N 35/026; G01N 35/028; G01N 35/04; G01N 1/22; G01N 1/2205; G01N 1/2273; B01L 2300/0809; B01L 2300/0816; B01L 2300/0822; B01L 2300/0832; B01L 2300/0806; B01L 2300/0861; B01L 2300/0829; B01L 3/5085; B01L 3/50853

DESCRIPTION

See application file for complete search history.

FIG. 1 is a perspective view of a pivot tab according to the present design.
FIG. 2 is a front view of the pivot tab shown in FIG. 1.
FIG. 3 is a rear view of the pivot tab shown in FIG. 1.
FIG. 4 is a top plan view of the pivot tab shown in FIG. 1.
FIG. 5 is a bottom view of the pivot tab shown in FIG. 1; and,
FIG. 6 is a right side elevation view of the pivot tab shown in FIG. 1, the left side elevation view being a mirror image thereof.

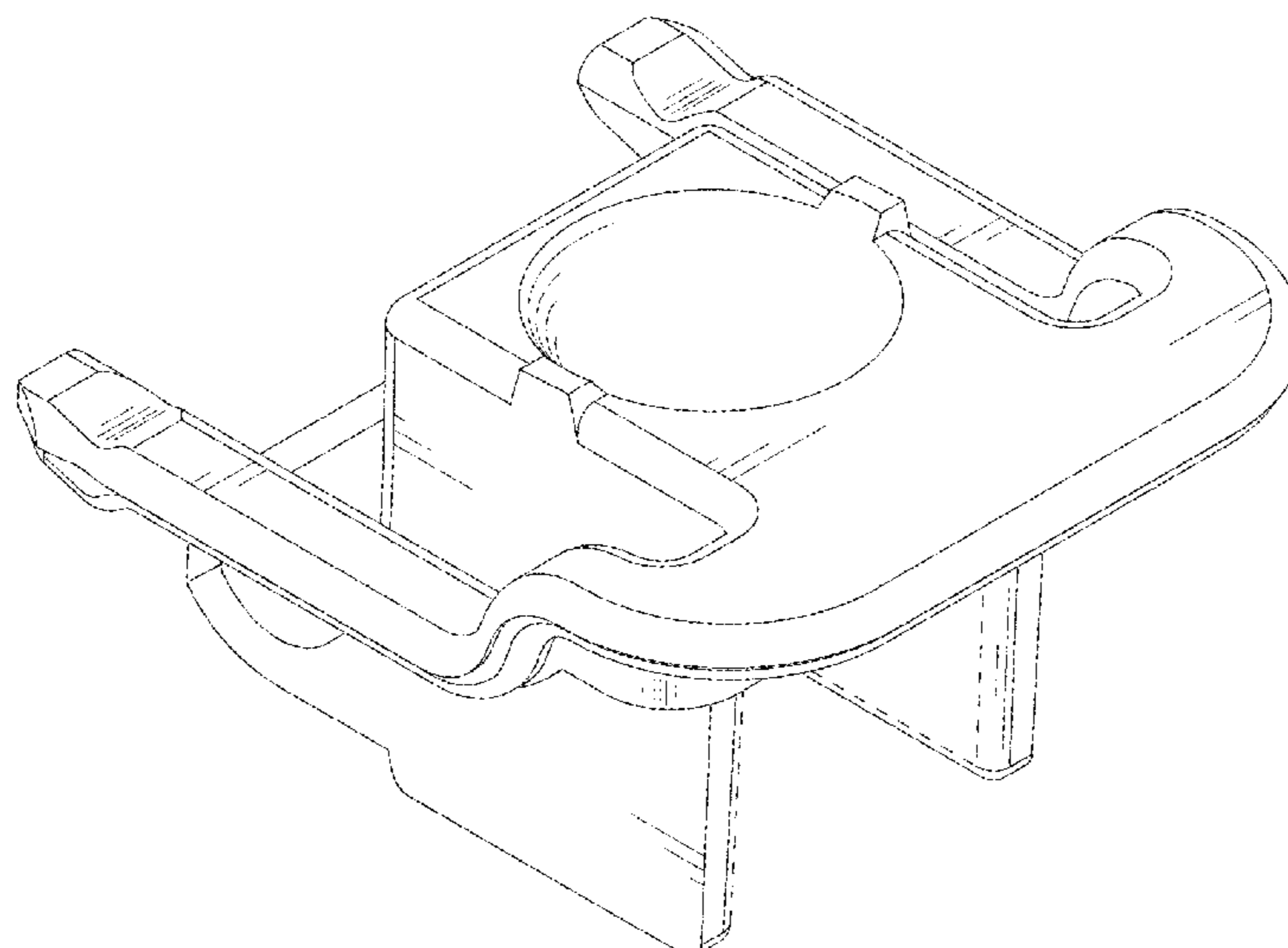
(56) **References Cited**

The dashed broken lines illustrate portions of the pivot tab that form no part of the claimed design. The dot-dash broken lines illustrate a boundary between claimed and unclaimed features and form no part of the claimed design.

U.S. PATENT DOCUMENTS

3,952,599 A 4/1976 Ayres
5,059,398 A 10/1991 Kenney

1 Claim, 6 Drawing Sheets



(56)

References Cited

U.S. PATENT DOCUMENTS

7,861,581	B2	1/2011	Schardt et al.	
D634,853	S *	3/2011	Ramsamy	D24/222
8,080,218	B2	12/2011	Karg et al.	
D674,506	S *	1/2013	LaBrasca	D24/227
D724,754	S *	3/2015	Kuroda	D24/224
D773,070	S *	11/2016	Porreca	D24/232
9,517,464	B2	12/2016	Glasgow et al.	
D813,241	S *	3/2018	Wengreen	D14/434
2003/0107738	A1	6/2003	Curtis	
2006/0233671	A1	10/2006	Beard et al.	
2007/0086927	A1	4/2007	Natarajan et al.	
2008/0066523	A1	3/2008	Schmid et al.	
2008/0145835	A1	6/2008	Alajem et al.	
2009/0193913	A1	8/2009	Saiki	
2010/0267065	A1	10/2010	Geiger et al.	
2010/0303686	A1	12/2010	Horiuchi et al.	
2011/0056287	A1	3/2011	Schardt et al.	
2013/0164193	A1	6/2013	Semenov et al.	
2014/0150522	A1	6/2014	Glasgow et al.	

* cited by examiner

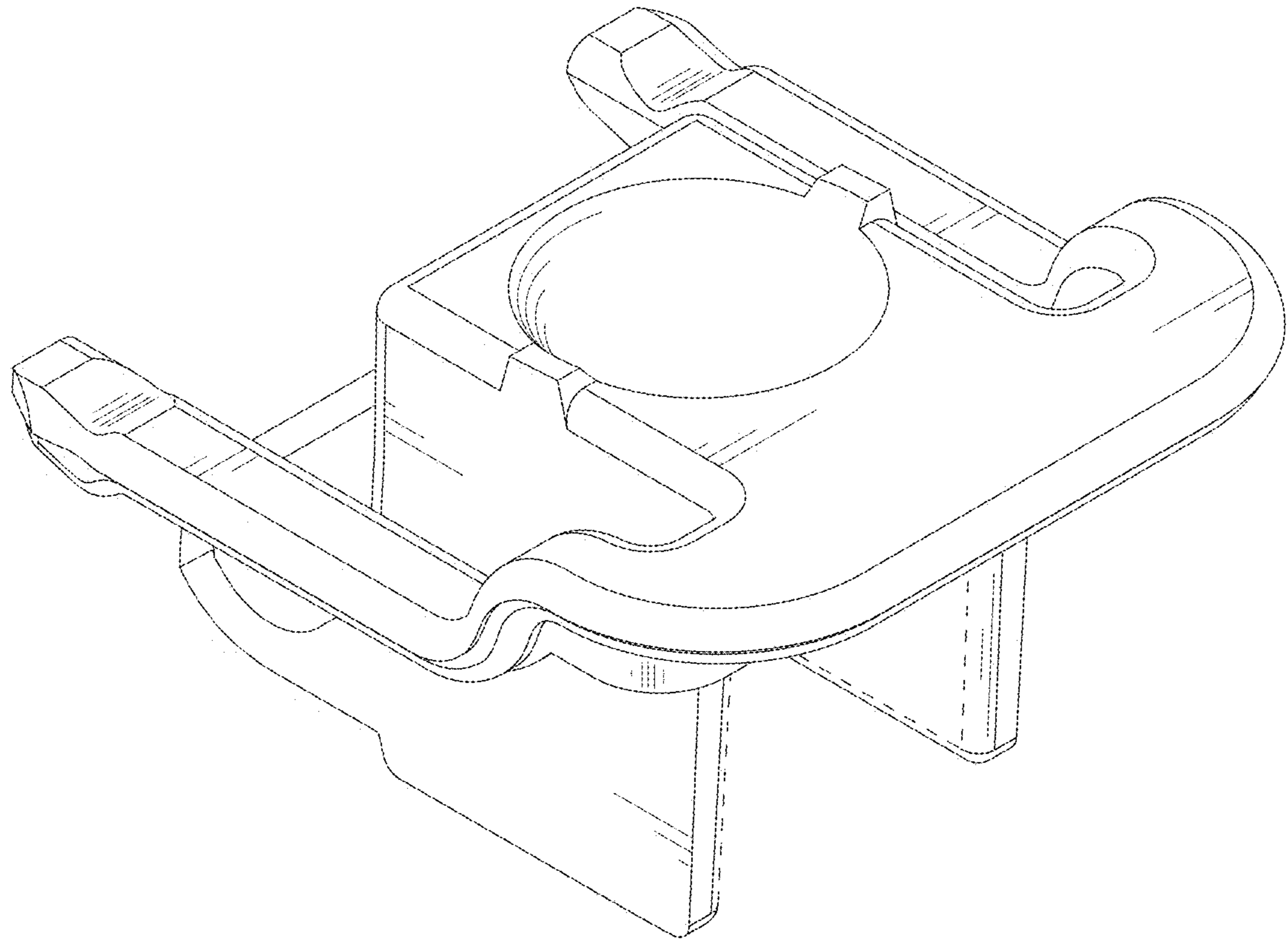


FIG. 1

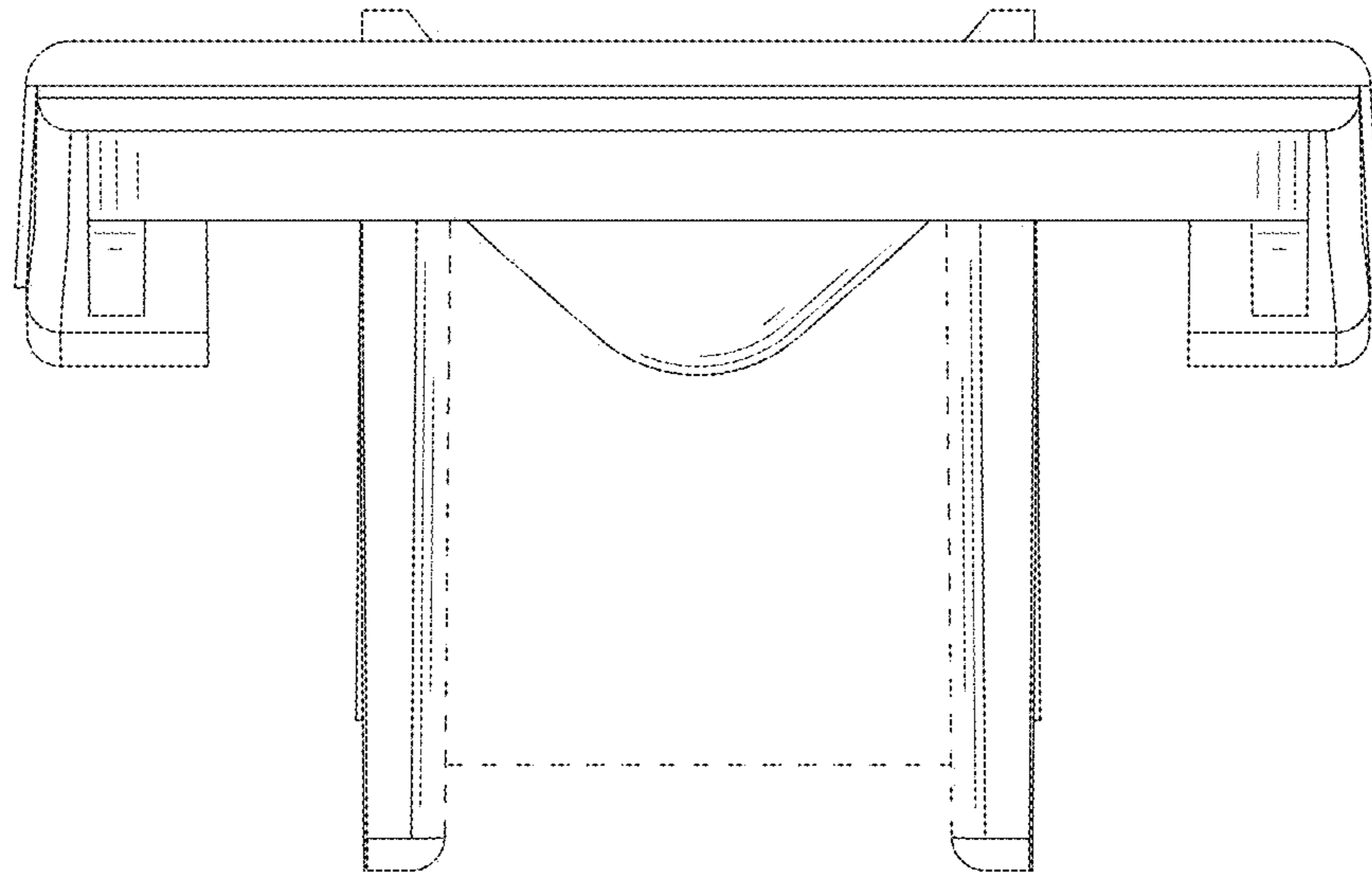


FIG. 2

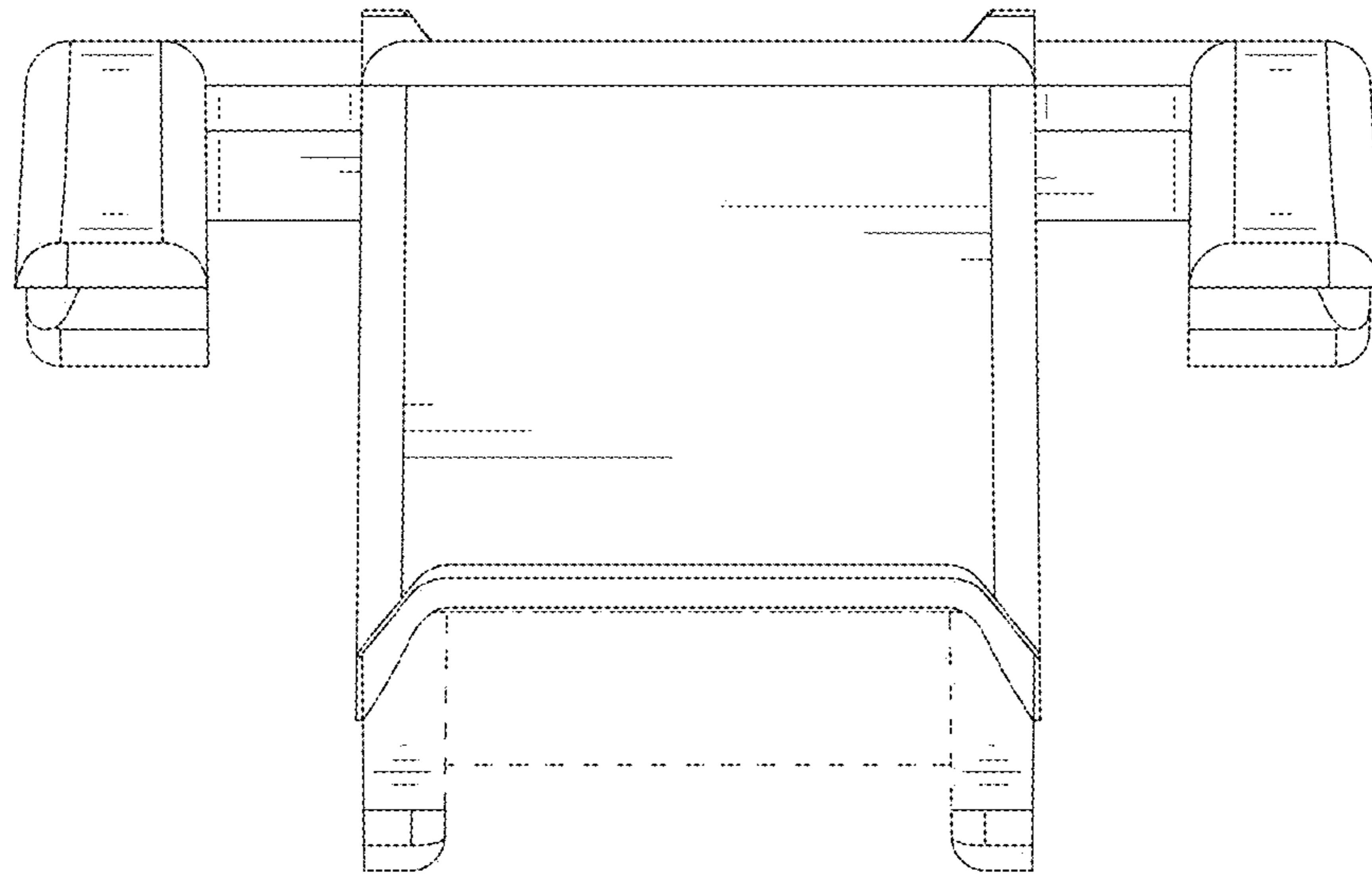


FIG. 3

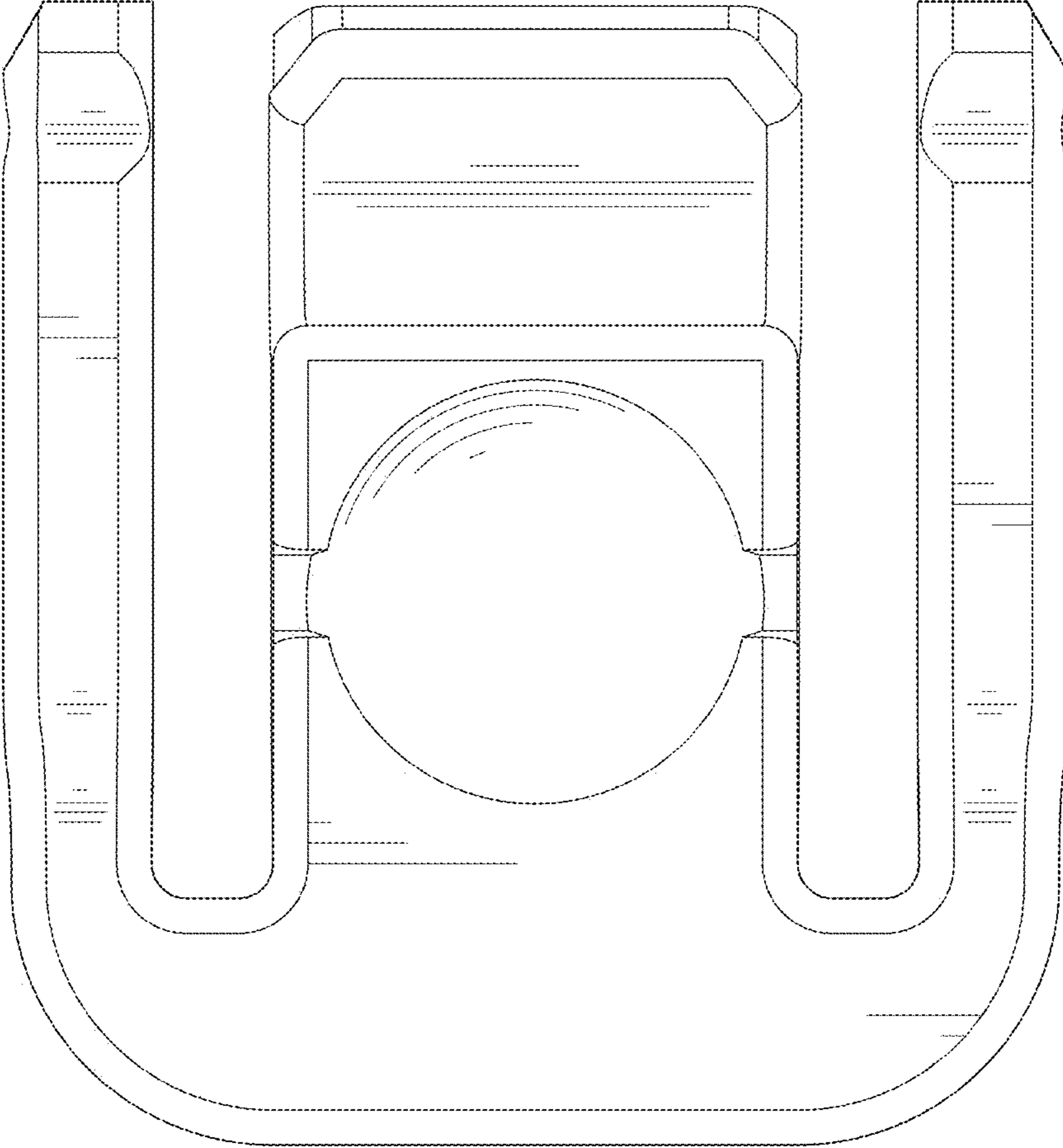


FIG. 4

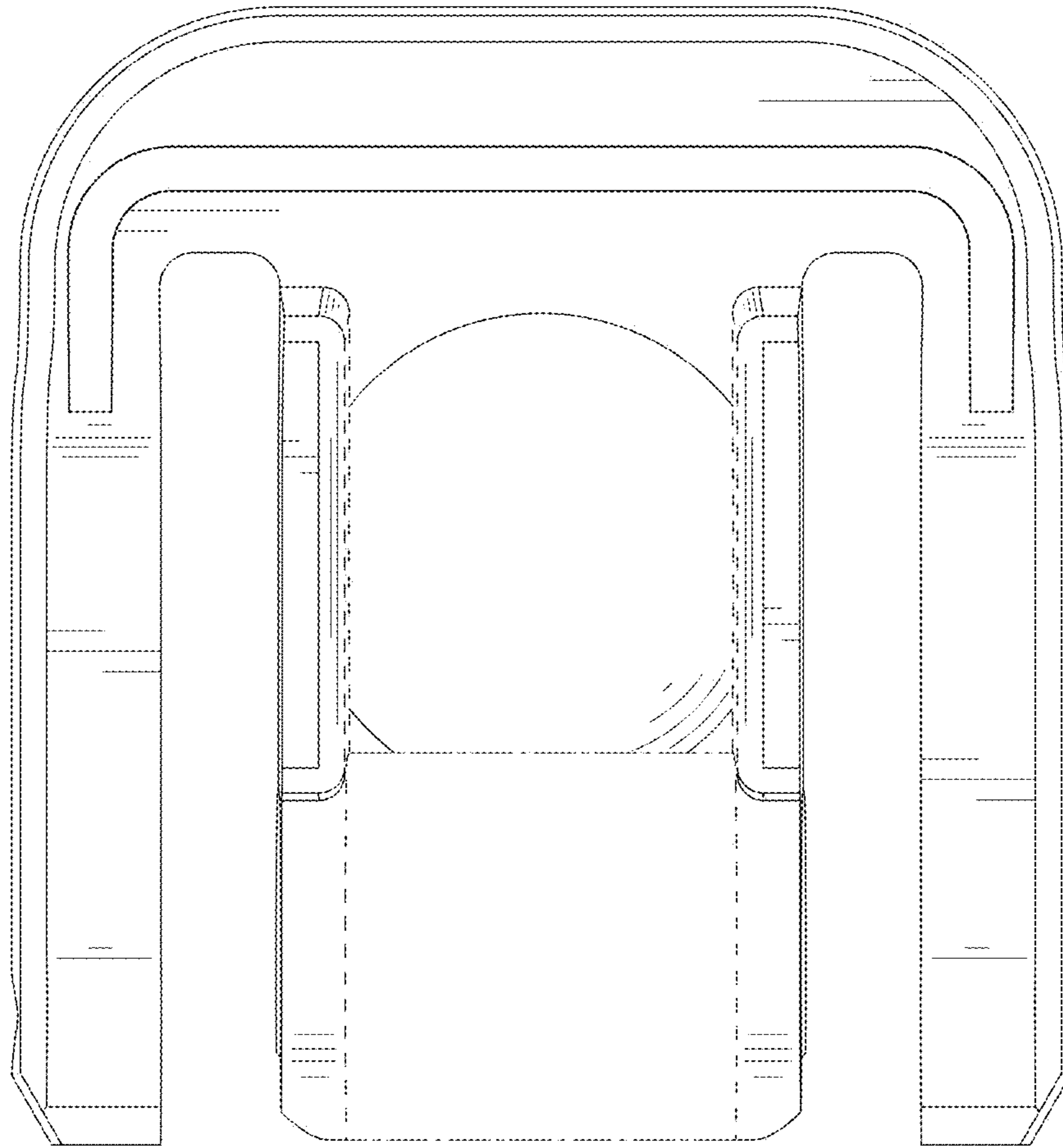


FIG. 5

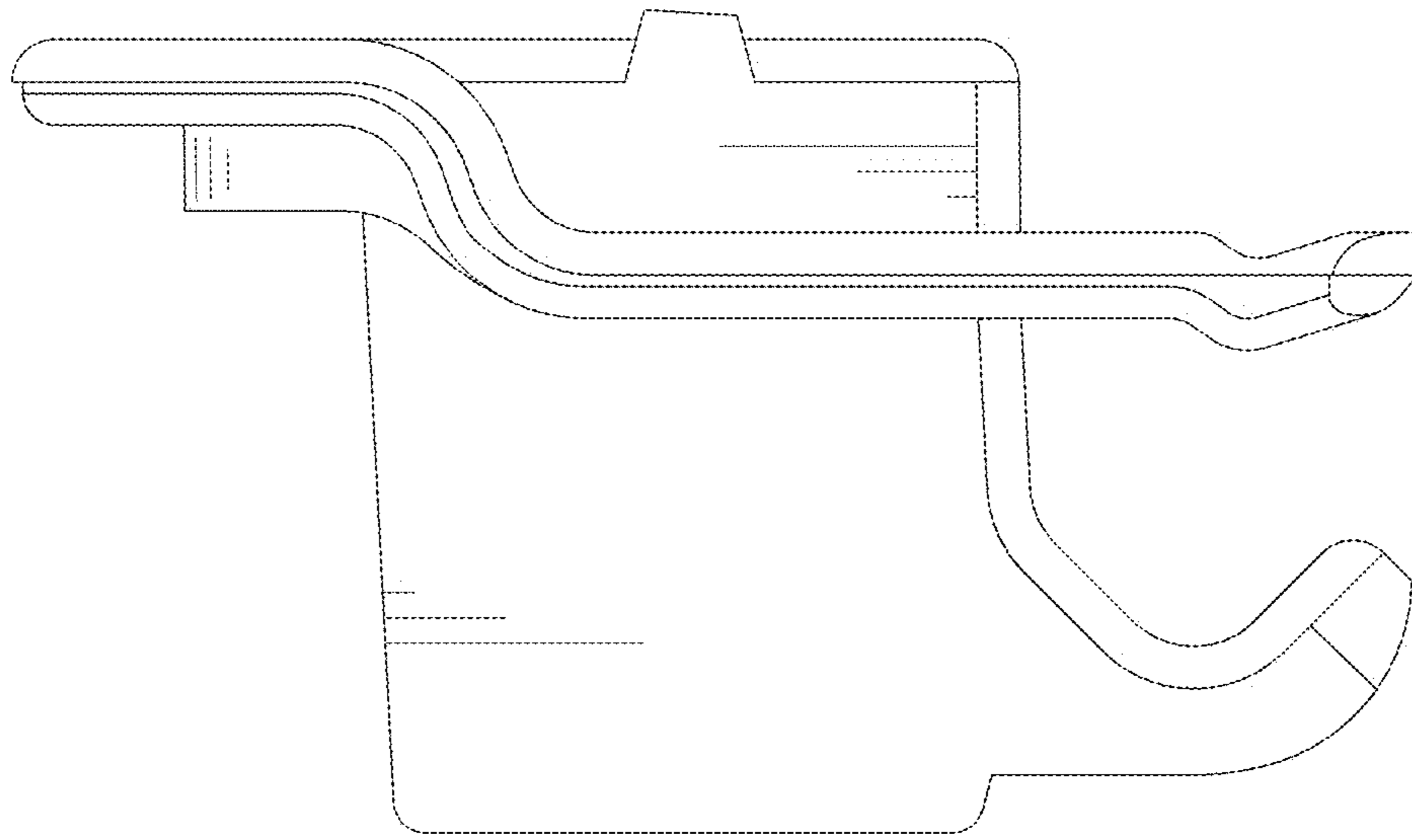


FIG. 6