



US00D879313S

(12) **United States Design Patent**
Pounders

(10) **Patent No.:** **US D879,313 S**
(45) **Date of Patent:** **** Mar. 24, 2020**

(54) **COMPONENT OF AN APPARATUS FOR SIMULATING SEXUAL MOTION**

(71) Applicant: **MB Technologies LLC**, Sanford, NC (US)

(72) Inventor: **John Pounders**, Nashville, TN (US)

(73) Assignee: **MB Technologies LLC**, Sanford, NC (US)

(**) Term: **15 Years**

(21) Appl. No.: **29/634,486**

(22) Filed: **Jan. 22, 2018**

(51) **LOC (12) Cl.** **28-03**

(52) **U.S. Cl.**
USPC **D24/200**

(58) **Field of Classification Search**
USPC D24/200, 214–215, 143; D8/394;
601/135–137, DIG. 16; 600/38–39
CPC A61F 5/41; A61F 2005/422; A61H 19/30;
A61H 19/32; A61H 19/34; A61H 19/50;
A61H 2205/087
See application file for complete search history.

(56) **References Cited**

U.S. PATENT DOCUMENTS

5,873,813	A *	2/1999	Weiss	A61F 5/41 24/20 R
6,039,750	A *	3/2000	Kubalak	A61F 5/41 128/DIG. 25
6,926,666	B2 *	8/2005	Magee	A61F 5/41 600/38
D559,990	S *	1/2008	Gayne	D24/200
D608,899	S *	1/2010	Gayne	D24/215

2007/0038019	A1 *	2/2007	Weng	A61F 5/41 600/38
2009/0069629	A1 *	3/2009	Uson Calvo	A61F 5/41 600/38
2010/0204543	A1 *	8/2010	Sanchez Martinez	A61F 5/41 600/39
2012/0006334	A1 *	1/2012	Cayabyab	A61H 19/50 128/845
2019/0015292	A1 *	1/2019	Pounders	A61H 19/32

* cited by examiner

Primary Examiner — Wan Laymon

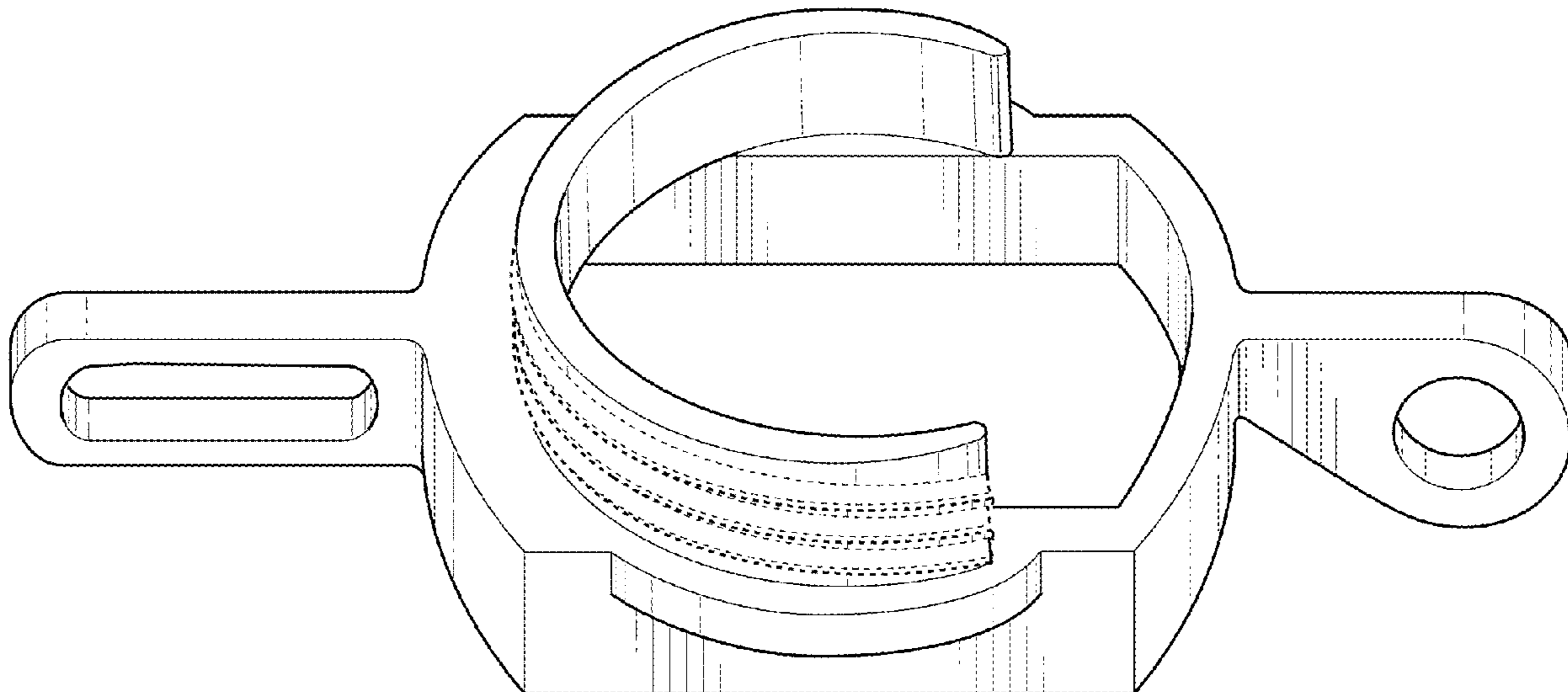
(57) **CLAIM**

I claim the ornamental design for a component of an apparatus for simulating sexual motion, as shown and described.

DESCRIPTION

FIG. 1 is a top perspective view of a component of an apparatus for simulating sexual motion, showing my new design;
FIG. 2 is a right side view thereof.
FIG. 3 is a left side view thereof.
FIG. 4 is a front side view thereof.
FIG. 5 is a rear side view thereof.
FIG. 6 is a top plan view thereof; and,
FIG. 7 is a bottom plan view thereof.
The broken lines immediately adjacent shaded areas represent bounds of the claimed design, and all other broken lines are included for the purpose of illustrating portions of the component of an apparatus for simulating sexual motion that form no part of the claimed design. None of the broken lines form part of the claimed design.

1 Claim, 7 Drawing Sheets



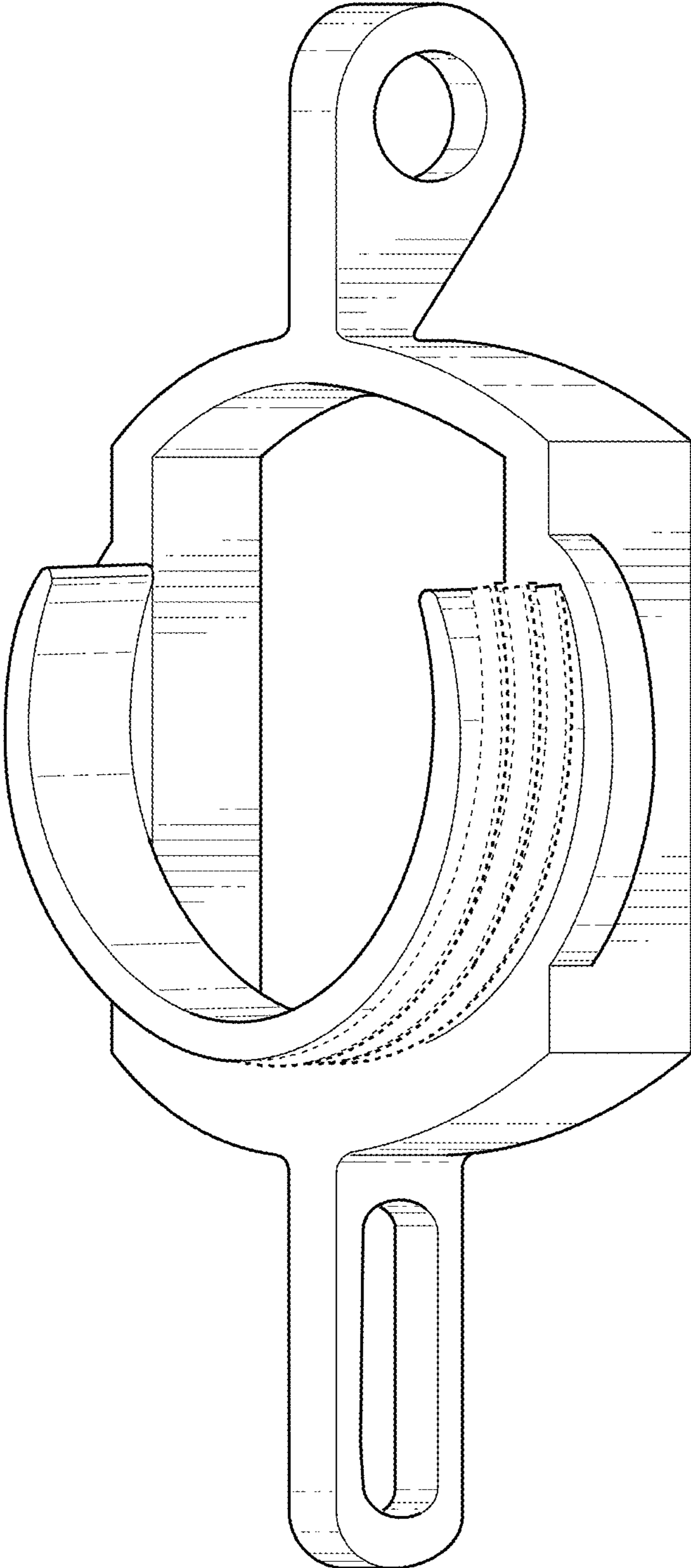


FIG. 1

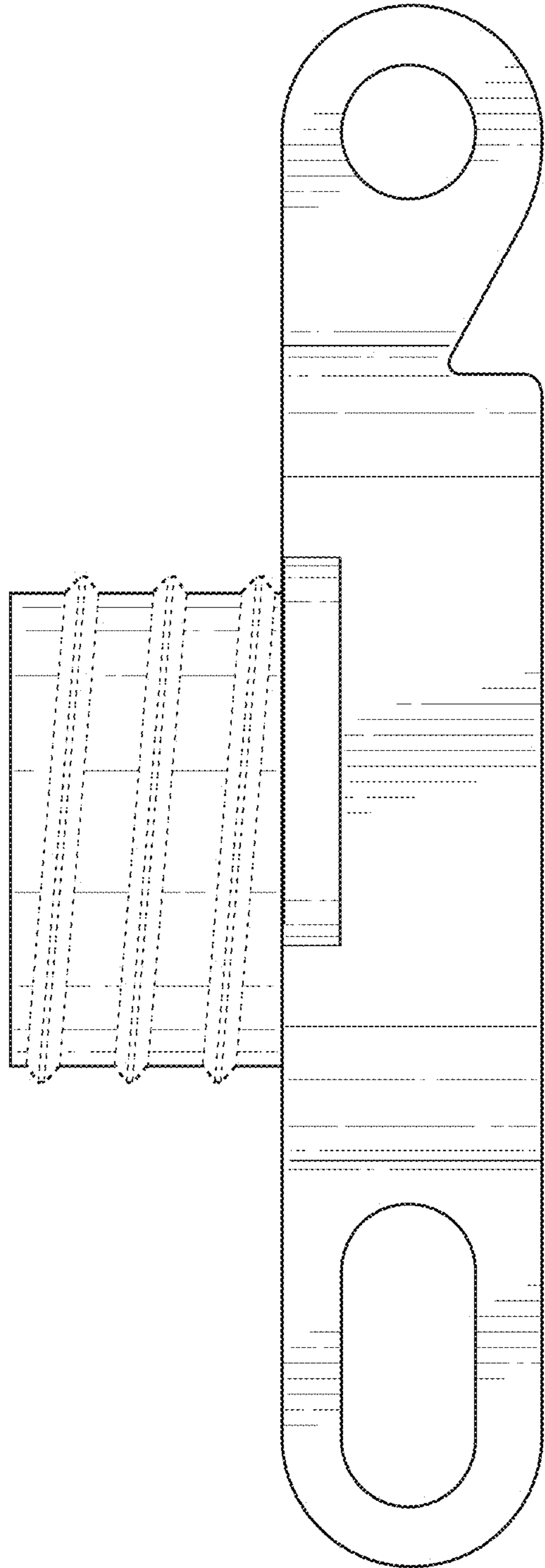


FIG. 2

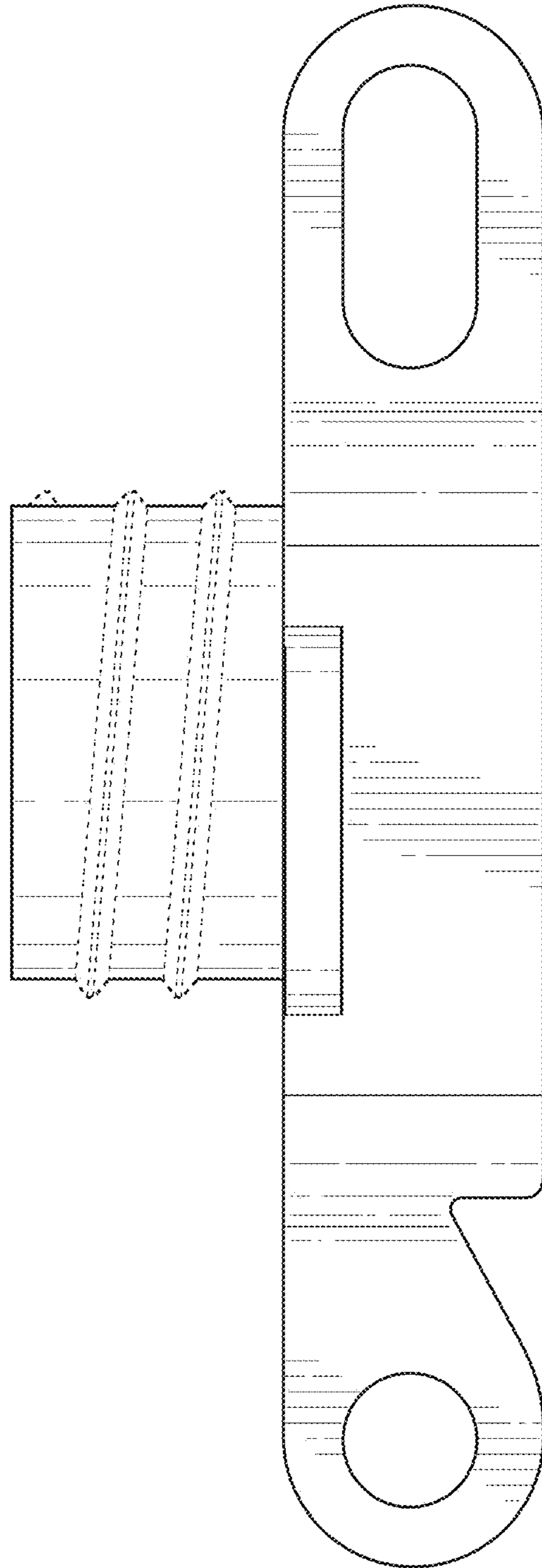


FIG. 3

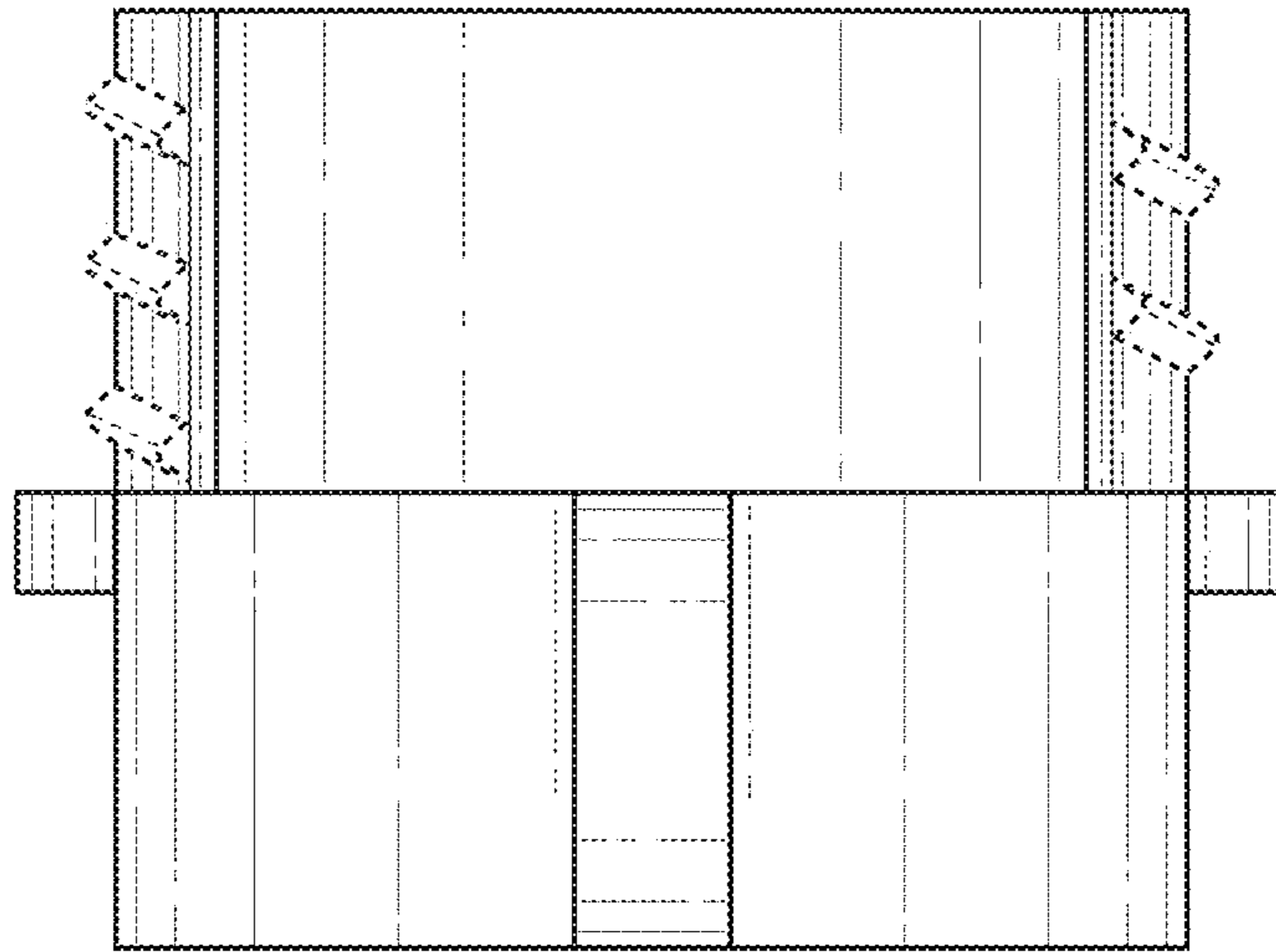


FIG. 4

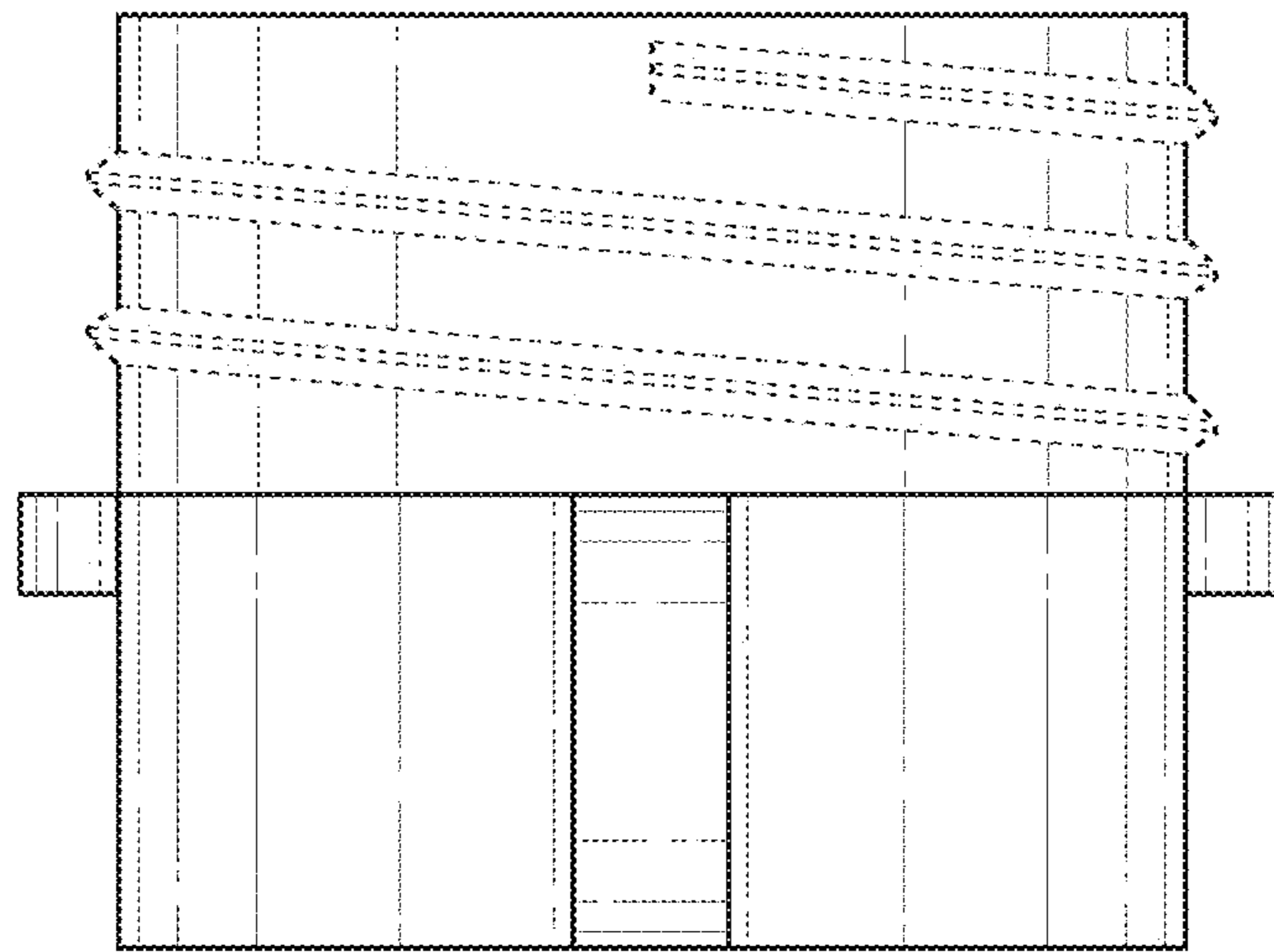


FIG. 5

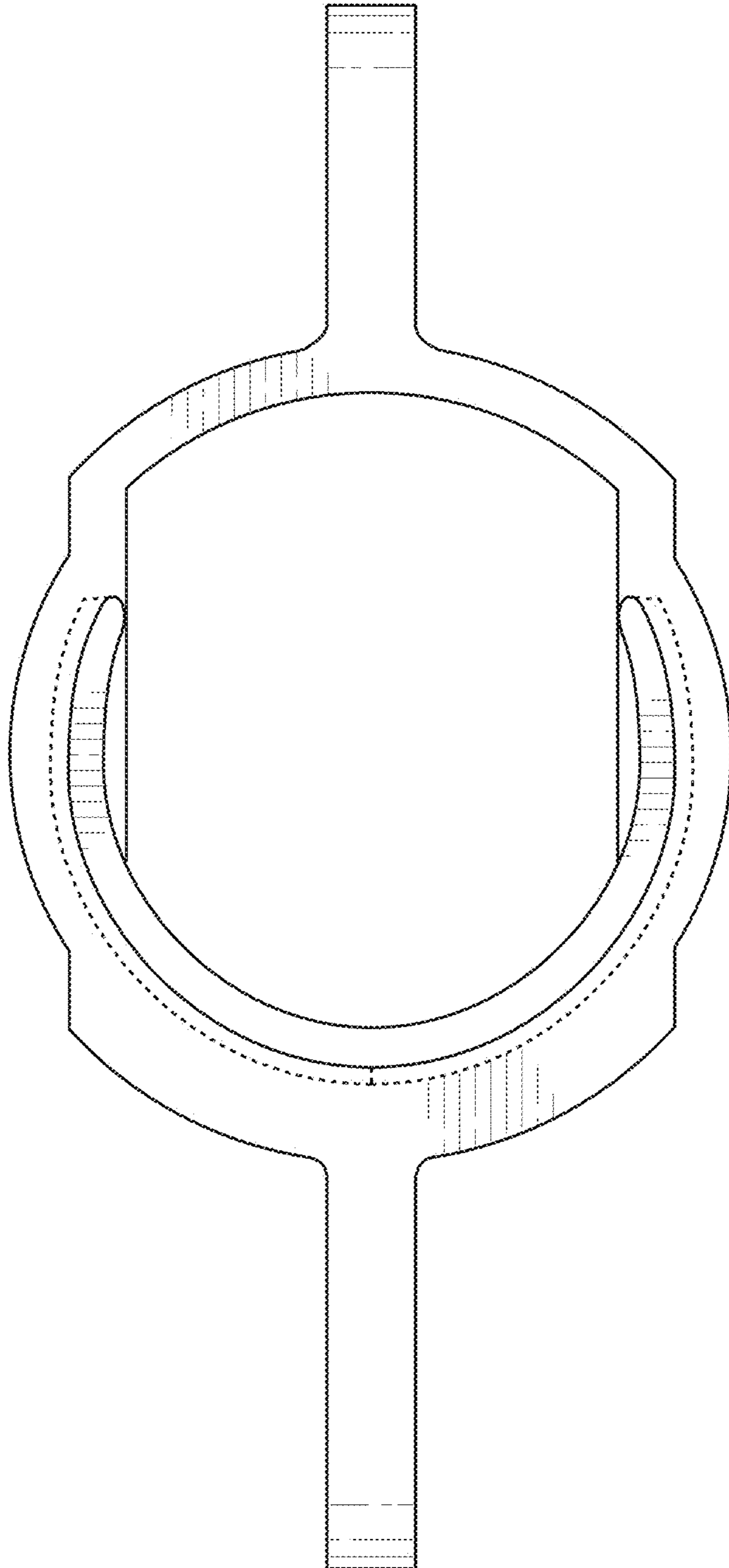


FIG. 6

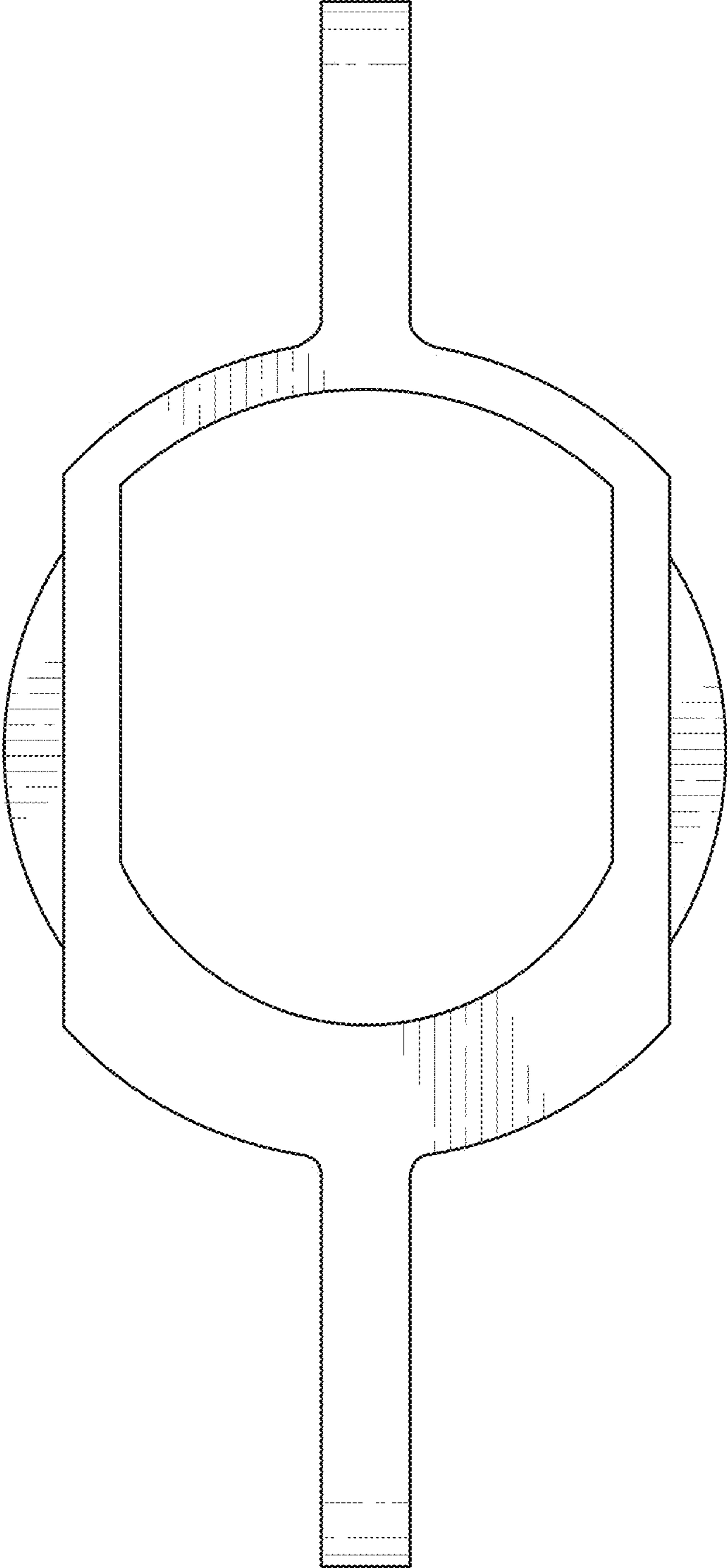


FIG. 7