



US00D879311S

(12) **United States Design Patent**  
**Ostergard**

(10) **Patent No.:** **US D879,311 S**

(45) **Date of Patent:** **\*\* Mar. 24, 2020**

(54) **EXTERIOR ANKLE BRACE**

(71) Applicant: **Doak Matthew Ostergard**, Lincoln, NE (US)

(72) Inventor: **Doak Matthew Ostergard**, Lincoln, NE (US)

(\*\*) Term: **15 Years**

(21) Appl. No.: **29/663,664**

(22) Filed: **Sep. 18, 2018**

(51) **LOC (12) Cl.** ..... **24-01**

(52) **U.S. Cl.**  
USPC ..... **D24/192**

(58) **Field of Classification Search**  
USPC ..... D24/190, 192; D2/970, 980, 984-986, D2/989; D29/120.1, 121.2  
CPC .... A61F 5/0111; A61F 5/0127; A61F 13/066; A61F 5/012; A61F 13/085; A63C 17/18; A63C 17/06; A43B 7/20; A43B 5/00  
See application file for complete search history.

(56) **References Cited**

**U.S. PATENT DOCUMENTS**

D394,112 S *	5/1998	Duback	.....	D24/192
D639,965 S *	6/2011	Wehsely-Swiczinsky	.....	D24/192
D649,650 S *	11/2011	Wehsely-Swiczinsky	.....	D24/192
D649,651 S *	11/2011	Weaver, II	.....	D24/192
D682,434 S *	5/2013	Heyd	.....	D24/192

8,512,269 B1 *	8/2013	Stano	.....	A61F 5/0111 602/27
D779,077 S *	2/2017	Ledezma	.....	D24/192
10,092,435 B2 *	10/2018	Heyd	.....	A61F 5/0111
2010/0137770 A1 *	6/2010	Ingimundarson	.....	A61F 5/0127 602/27
2014/0213953 A1 *	7/2014	Heyd	.....	A61F 5/0111 602/27
2014/0276314 A1 *	9/2014	Heyd	.....	A61F 5/0104 602/27
2016/0081838 A1 *	3/2016	Ledezma	.....	A61F 5/0111 602/27

\* cited by examiner

*Primary Examiner* — Jennifer L Watkins

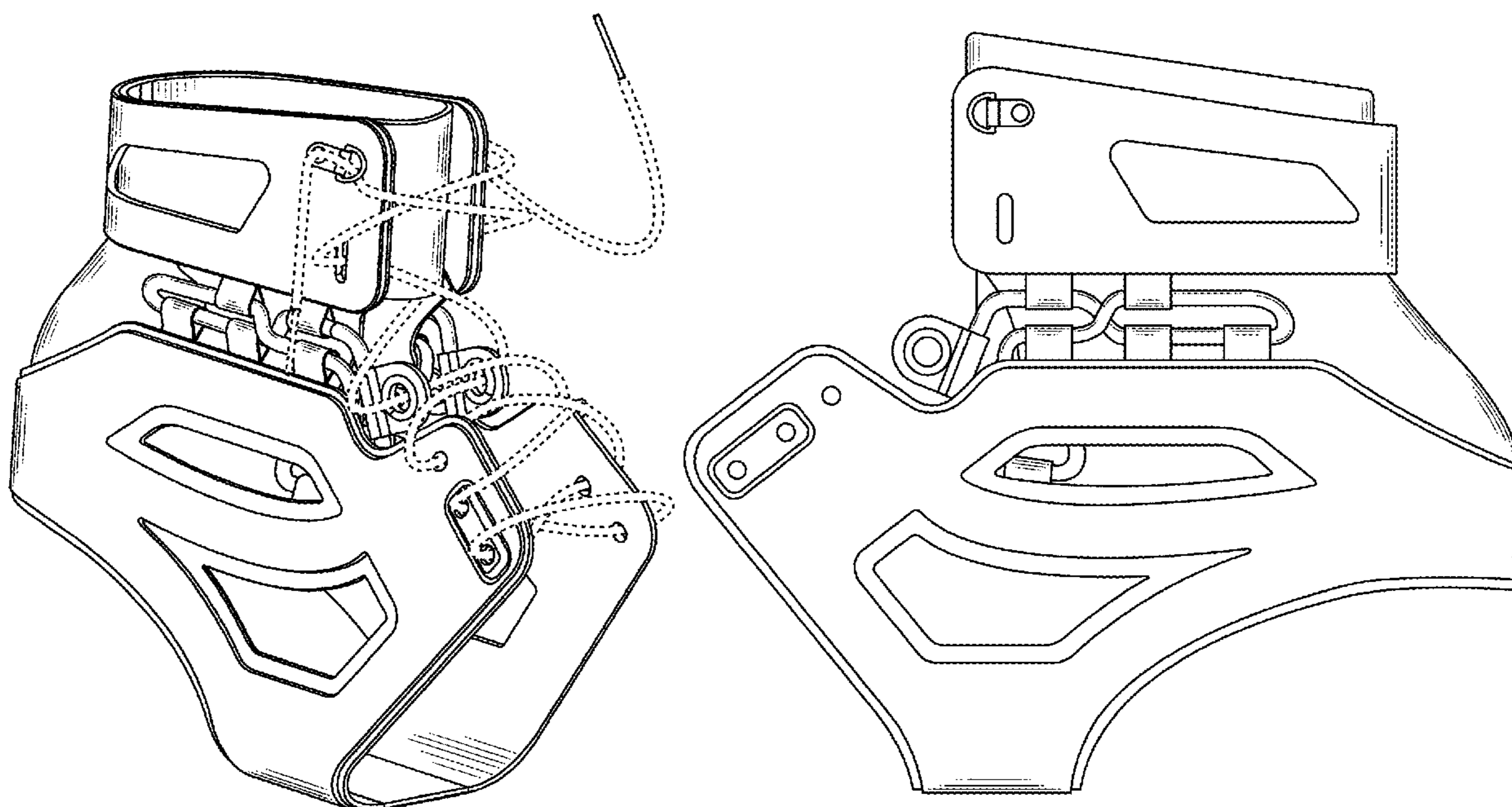
(57) **CLAIM**

I claim the ornamental design for an exterior ankle brace, as shown and described.

**DESCRIPTION**

FIG. 1 Is a perspective view of the exterior ankle brace.  
FIG. 2 Is a side view of the exterior ankle brace.  
FIG. 3 Is an additional side view of the exterior ankle brace.  
FIG. 4 Is a top view of the exterior ankle brace.  
FIG. 5 Is a bottom view of the exterior ankle brace.  
FIG. 6 Is a front view of the of the exterior ankle brace; and,  
FIG. 7 Is a back perspective view of the exterior ankle brace.  
The broken lines found on the exterior ankle brace represent shoelaces and are not a part of the claimed design.

**1 Claim, 7 Drawing Sheets**



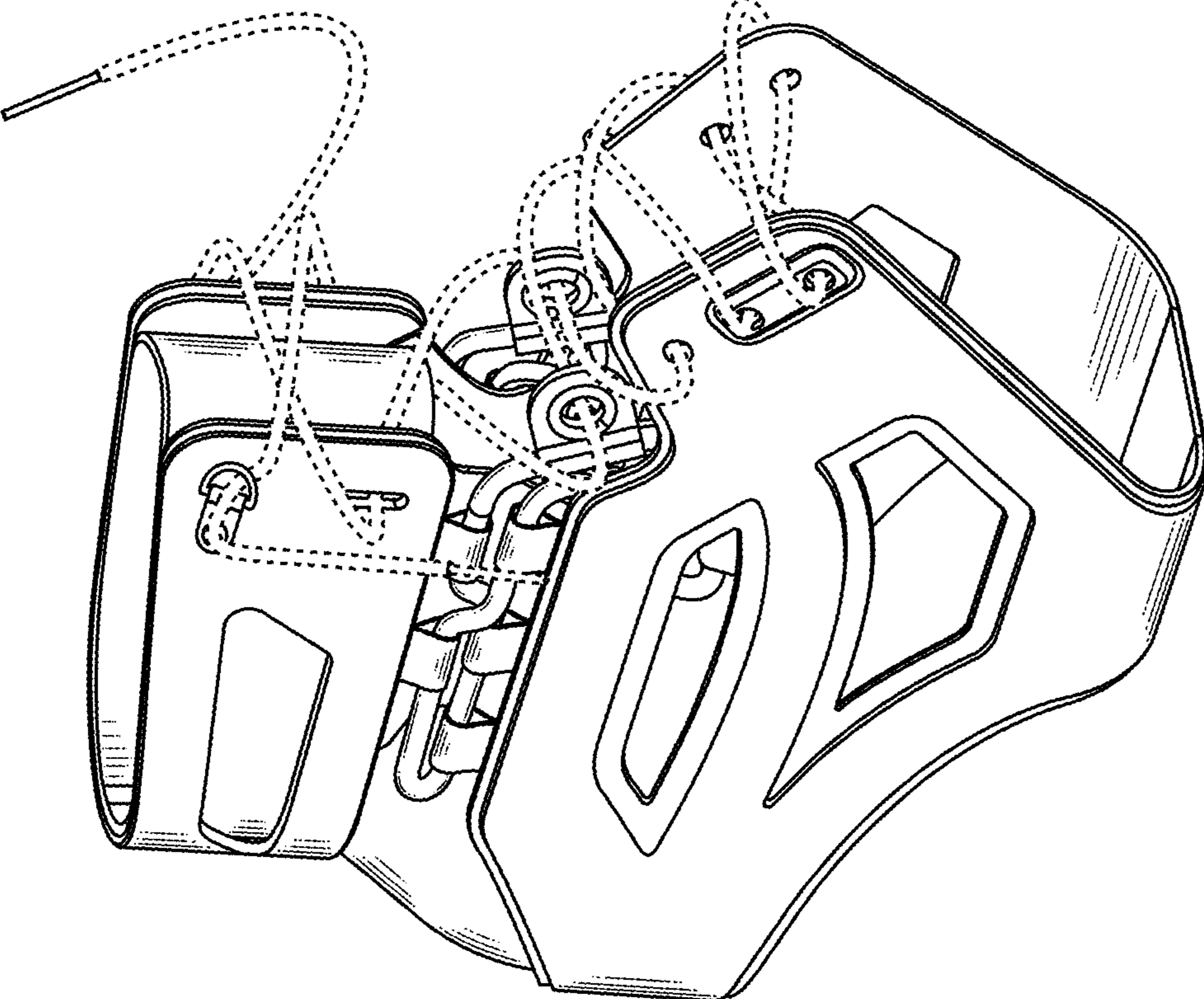


FIG.1

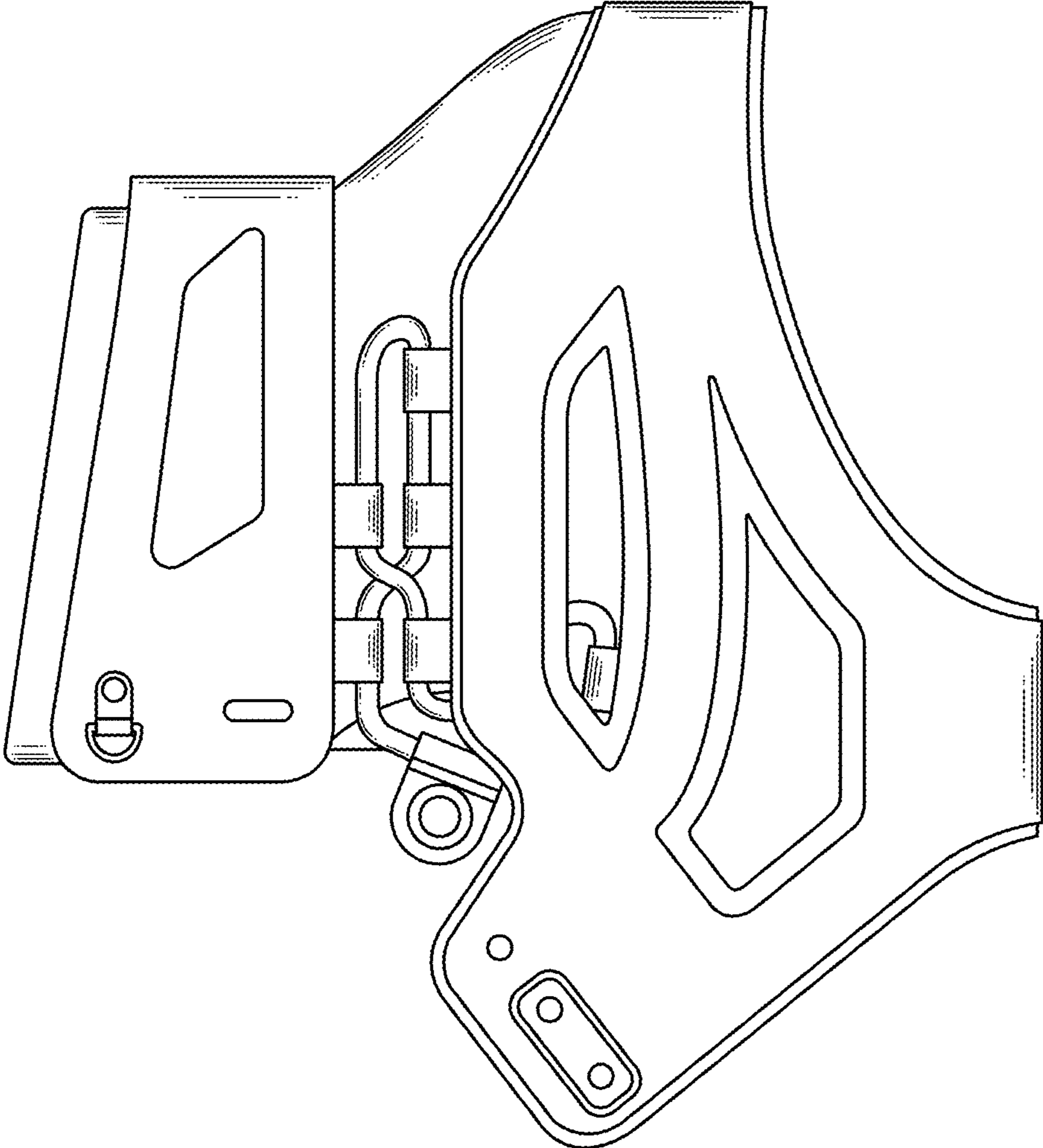


FIG.2

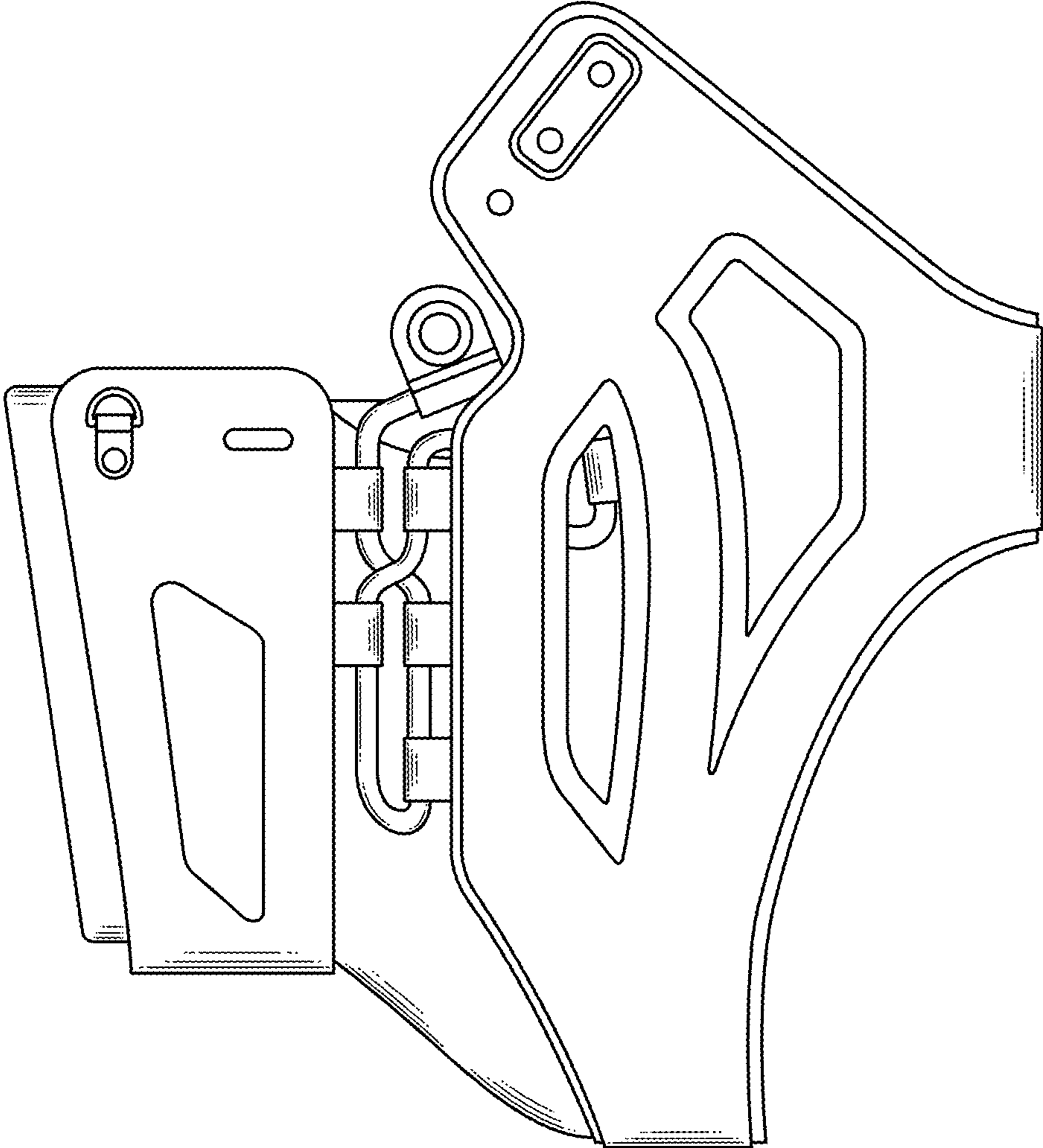


FIG.3

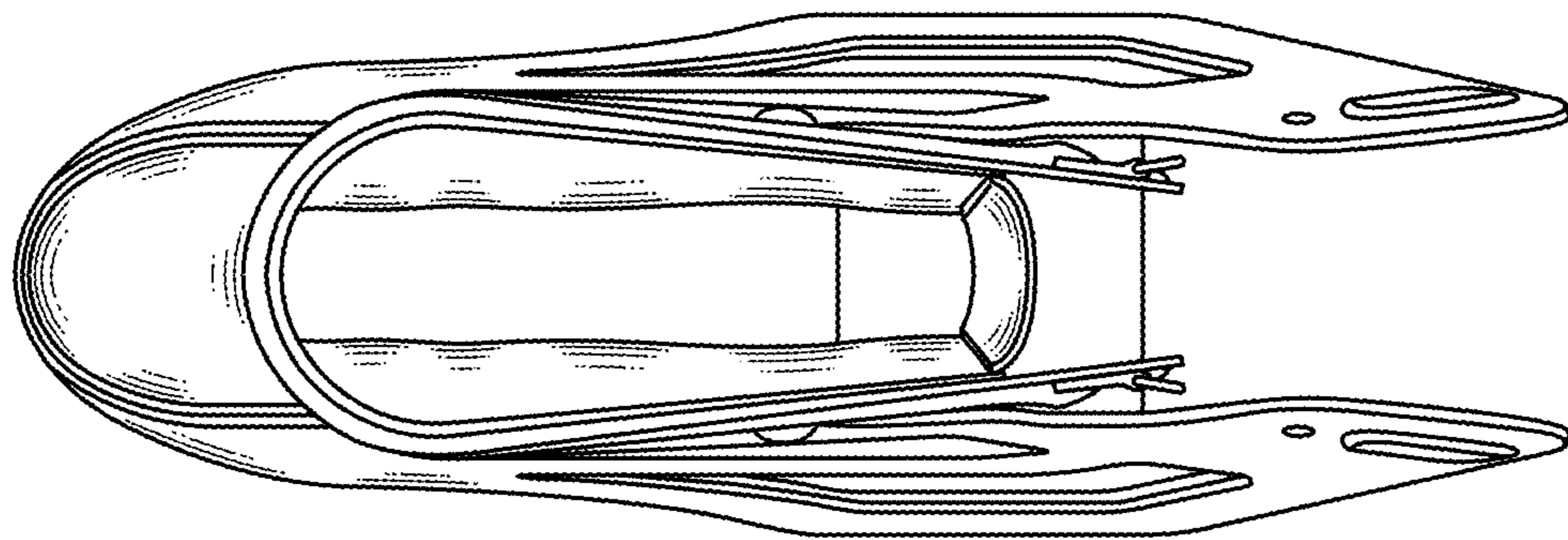


FIG.4

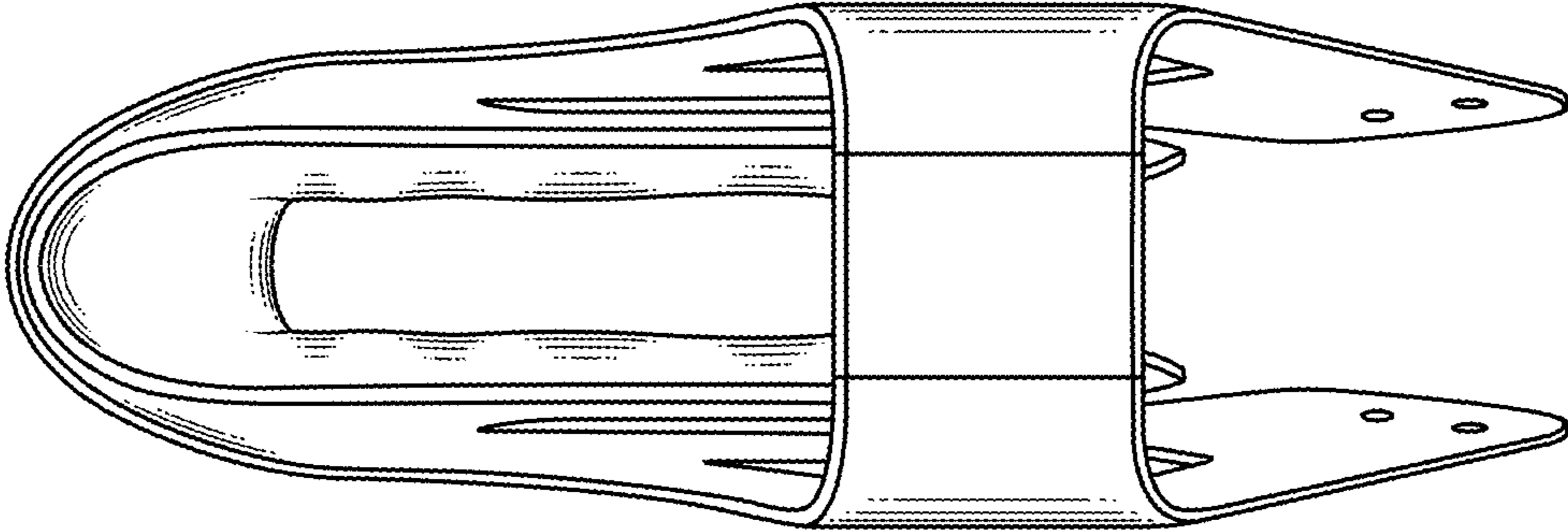


FIG. 5

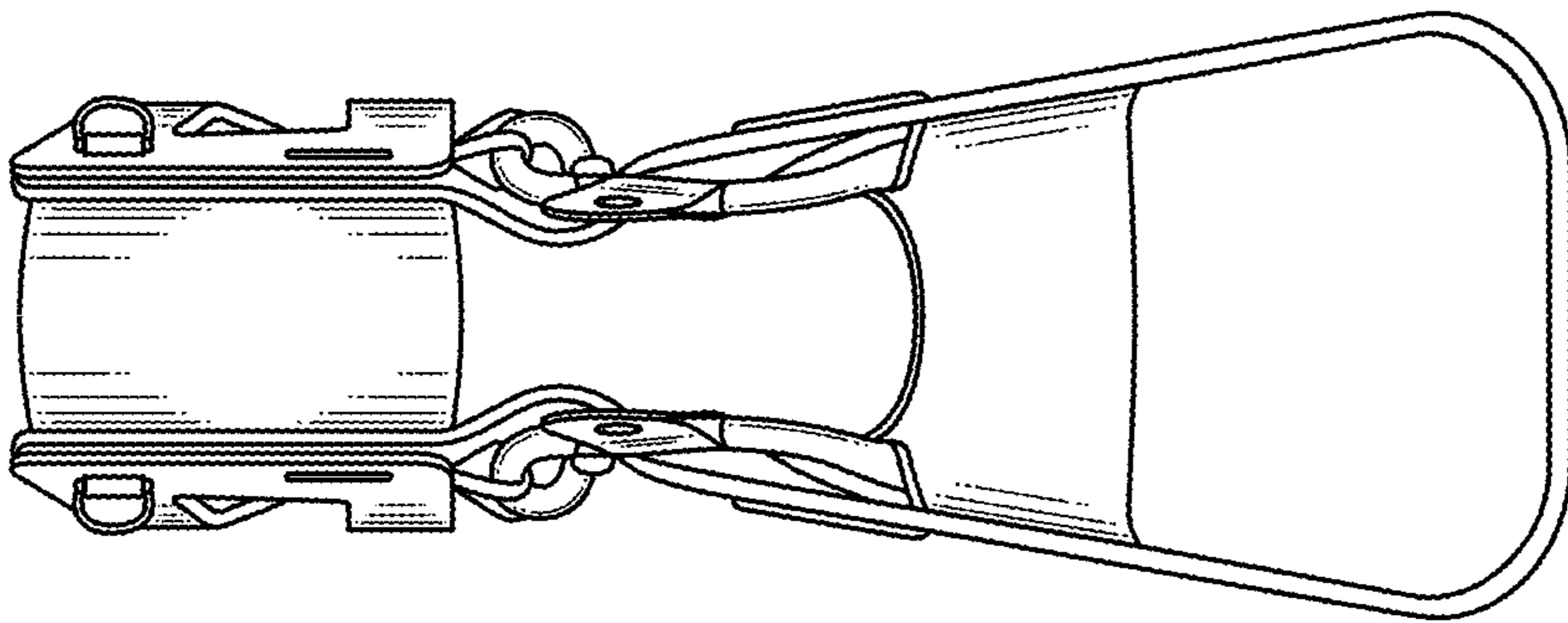


FIG.6

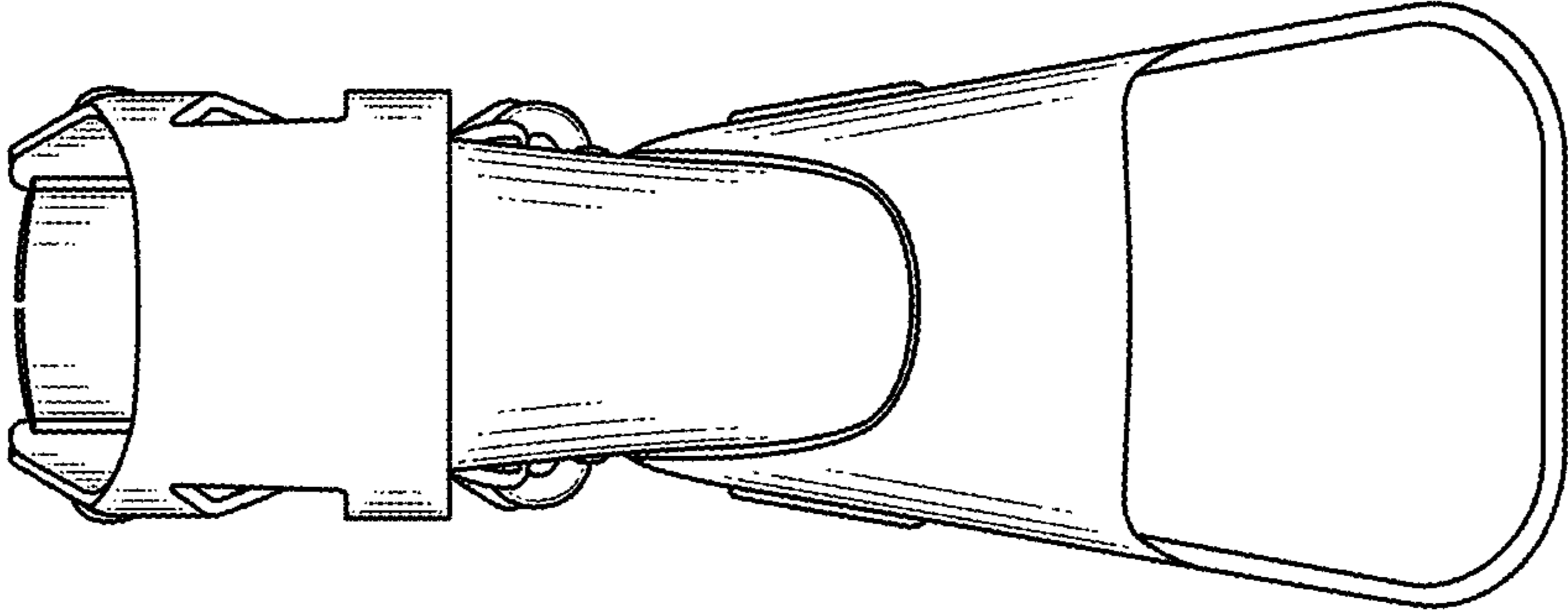


FIG. 7