



US00D879310S

(12) **United States Design Patent**
Ostergard

(10) **Patent No.:** **US D879,310 S**

(45) **Date of Patent:** **** Mar. 24, 2020**

(54) **INTERIOR ANKLE BRACE**

(71) Applicant: **Doak Matthew Ostergard**, Lincoln, NE (US)

(72) Inventor: **Doak Matthew Ostergard**, Lincoln, NE (US)

(**) Term: **15 Years**

(21) Appl. No.: **29/663,661**

(22) Filed: **Sep. 18, 2018**

(51) **LOC (12) Cl.** **24-01**

(52) **U.S. Cl.**
USPC **D24/192**

(58) **Field of Classification Search**
USPC D24/190, 192; D2/970, 980, 984-986, D2/989; D29/120.1, 121.2
CPC A61F 5/0111; A61F 5/0127; A61F 13/066; A61F 5/012; A61F 13/085; A63C 17/18; A63C 17/06; A43B 7/20; A43B 5/00
See application file for complete search history.

(56) **References Cited**

U.S. PATENT DOCUMENTS

D394,112 S * 5/1998 Duback D24/192
D639,965 S * 6/2011 Wehsely-Swiczinsky D24/192
D649,650 S * 11/2011 Wehsely-Swiczinsky D24/192
D649,651 S * 11/2011 Weaver, II D24/192

D682,434 S * 5/2013 Heyd D24/192
8,512,269 B1 * 8/2013 Stano A61F 5/0111
602/27
D779,077 S * 2/2017 Ledezma D24/192
10,092,435 B2 * 10/2018 Heyd A61F 5/0111
2010/0137770 A1 * 6/2010 Ingimundarson A61F 5/0127
602/27
2014/0213953 A1 * 7/2014 Heyd A61F 5/0111
602/27
2014/0276314 A1 * 9/2014 Heyd A61F 5/0104
602/27
2016/0081838 A1 * 3/2016 Ledezma A61F 5/0111
602/27

* cited by examiner

Primary Examiner — Jennifer L Watkins

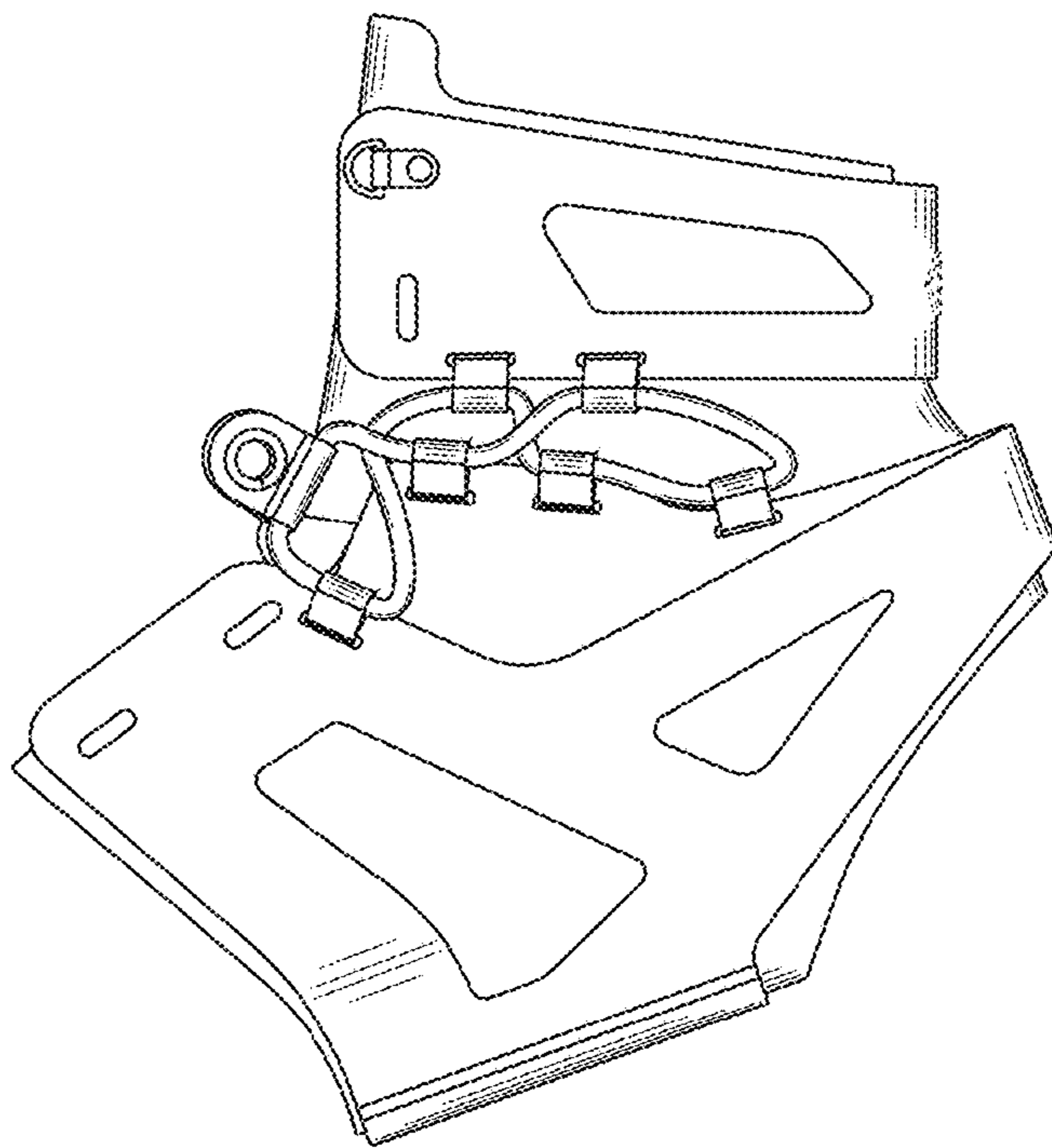
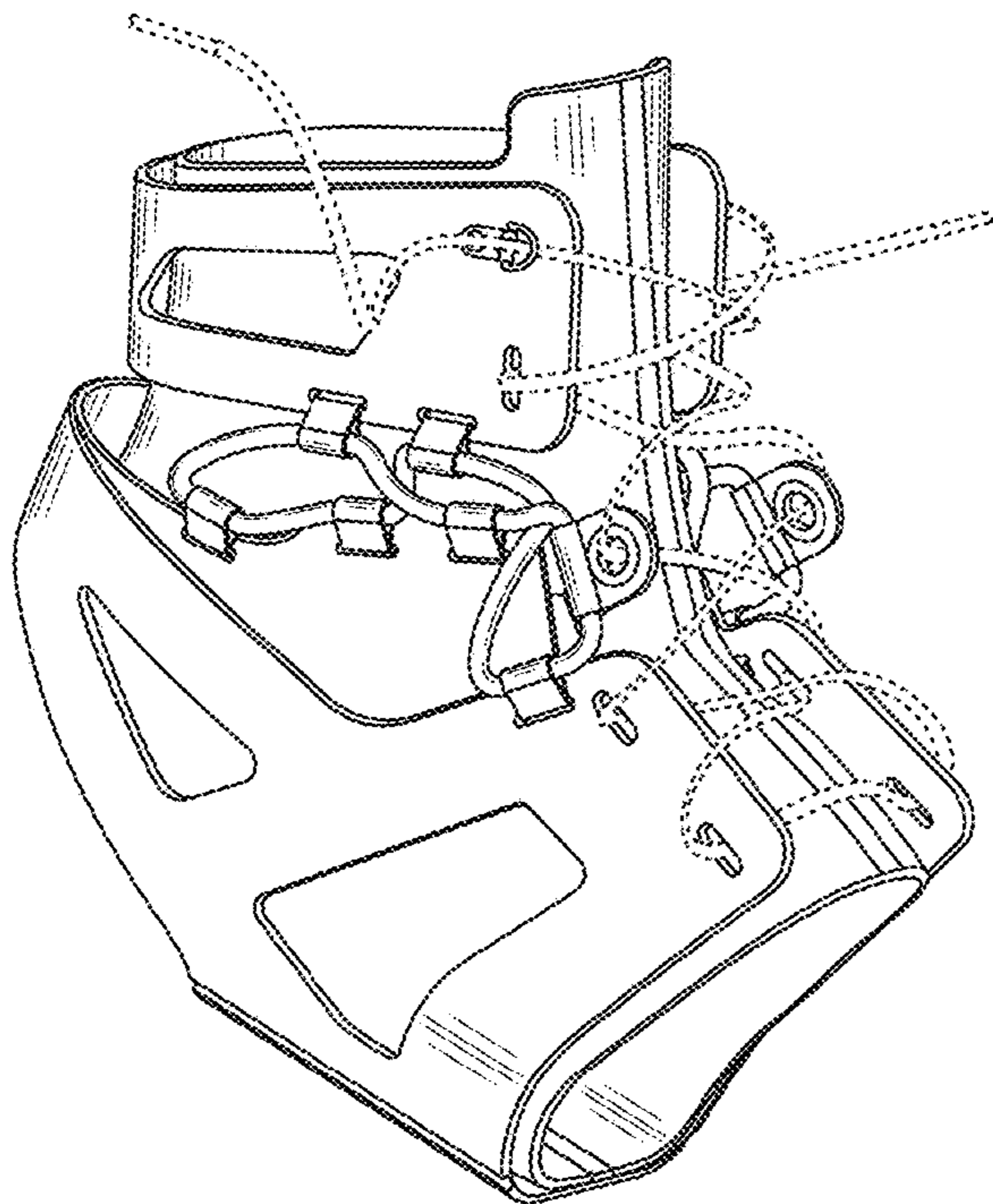
(57) **CLAIM**

I claim the ornamental design for the interior ankle brace, as shown and described.

DESCRIPTION

FIG. 1 Is a perspective view of the interior ankle brace.
FIG. 2 Is a side view of the interior ankle brace.
FIG. 3 Is an additional side view of the interior ankle brace.
FIG. 4 Is a top view of the interior ankle brace.
FIG. 5 Is a bottom view of the interior ankle brace.
FIG. 6 Is a front view of the of the interior ankle brace; and,
FIG. 7 Is a back perspective view of the interior ankle brace.
The broken lines found on this interior ankle brace represent brand logos and shoelaces and are not a part of the claimed design.

1 Claim, 7 Drawing Sheets



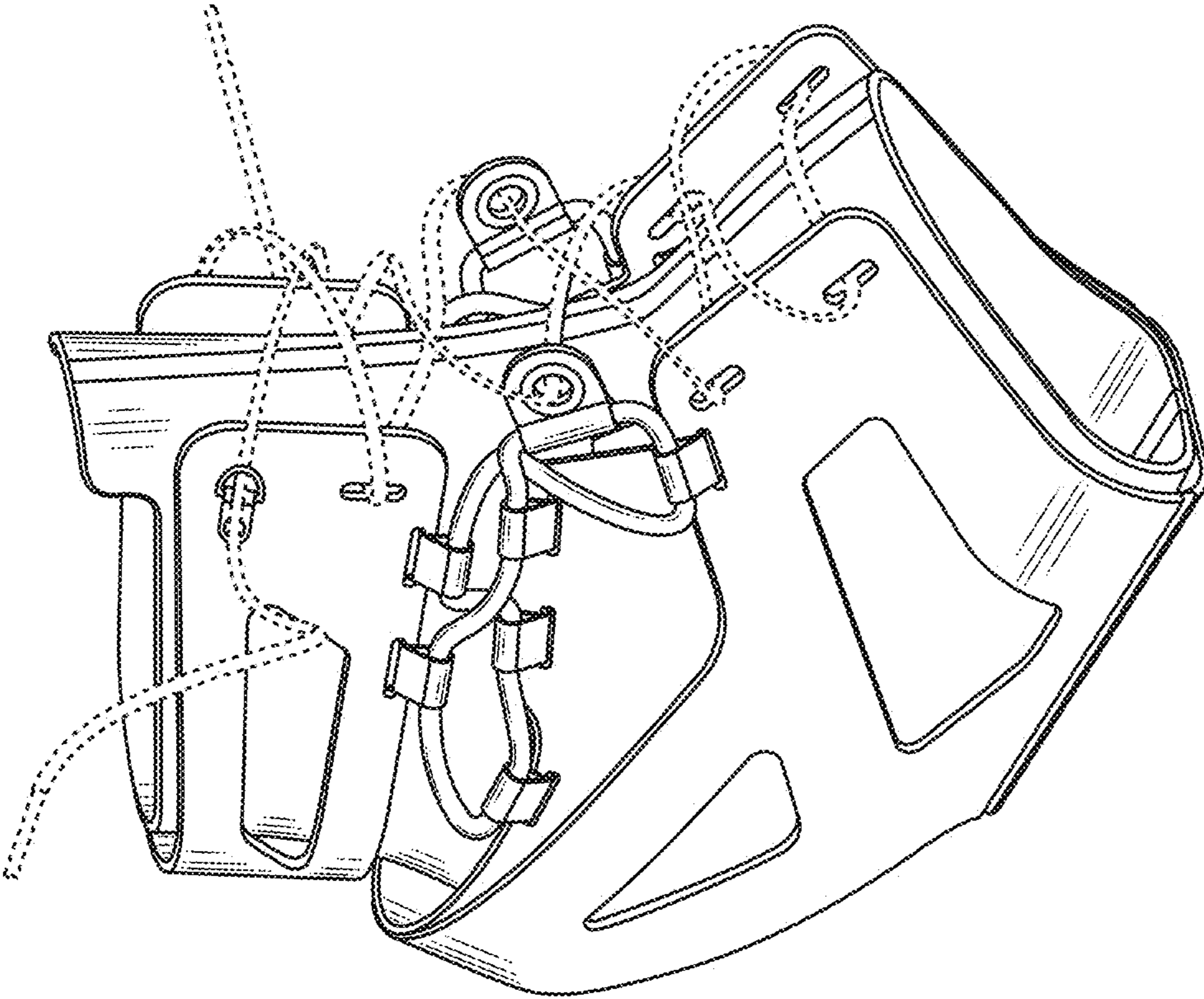


FIG.1

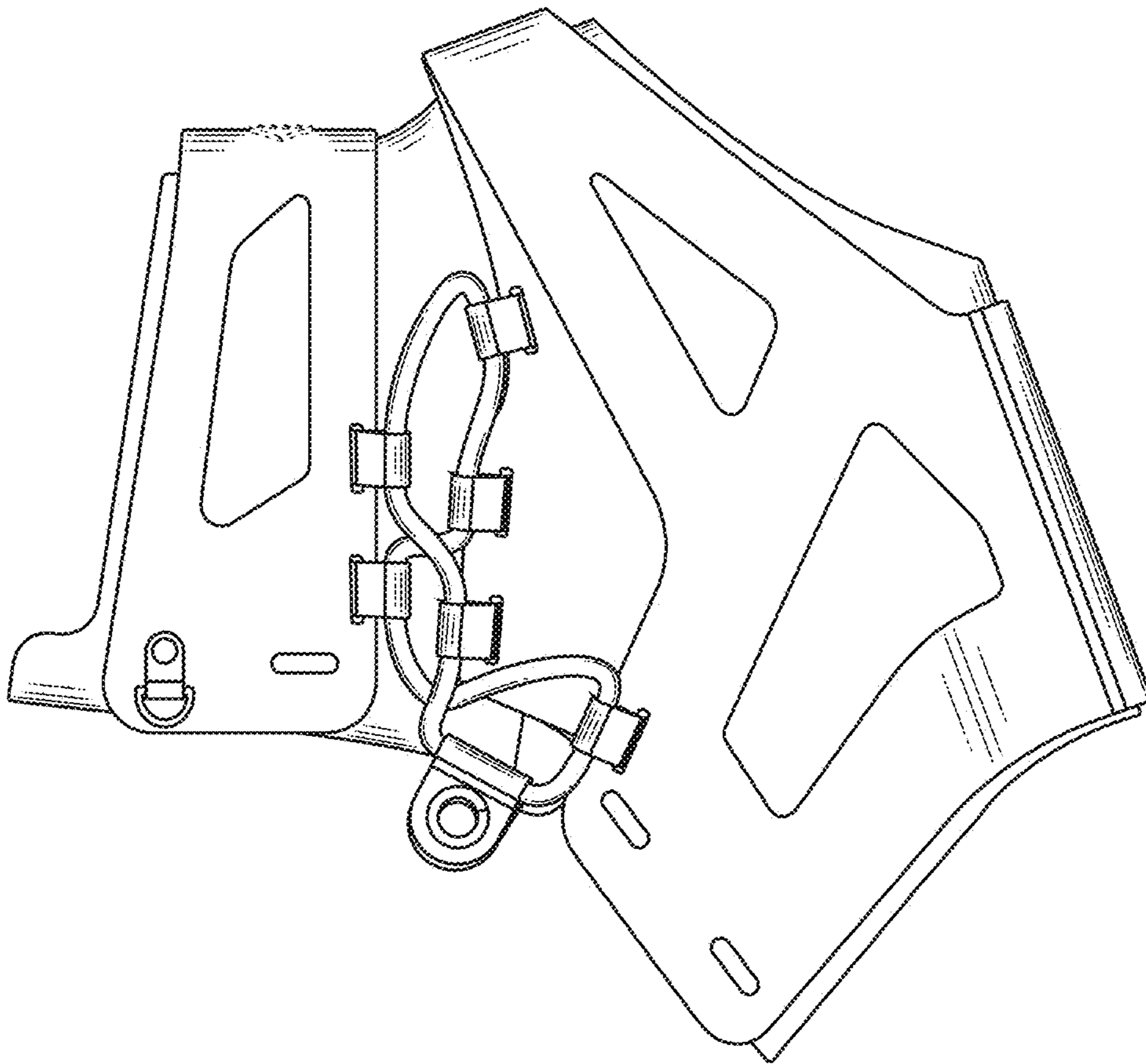


FIG.2

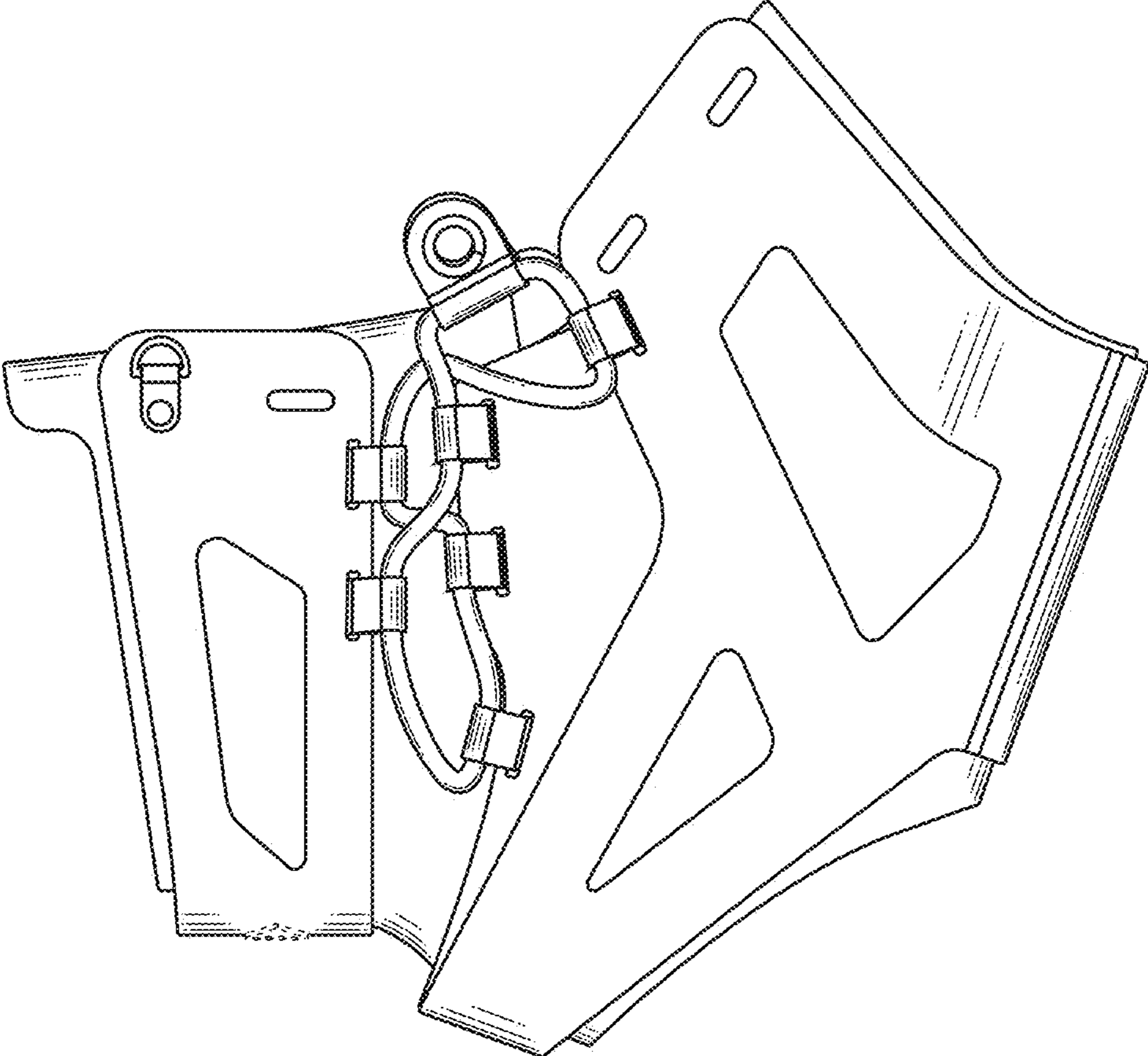


FIG. 3

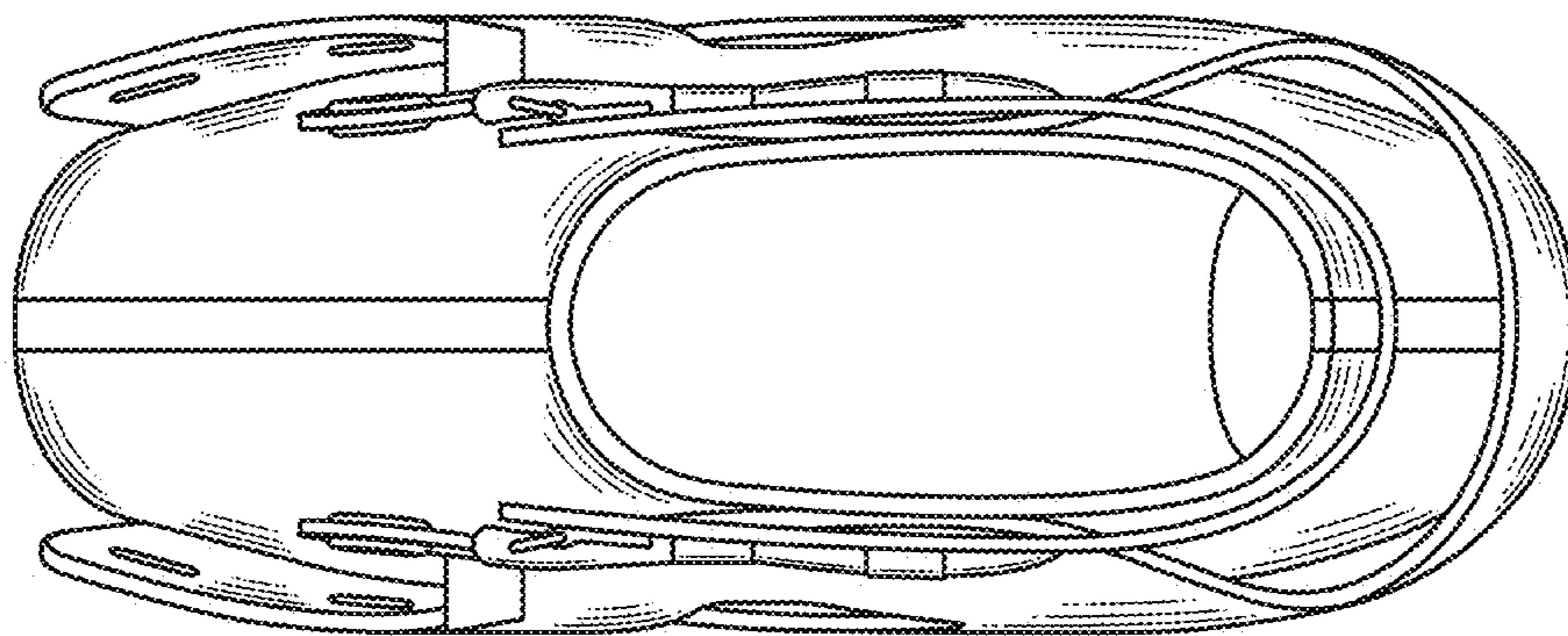


FIG. 4

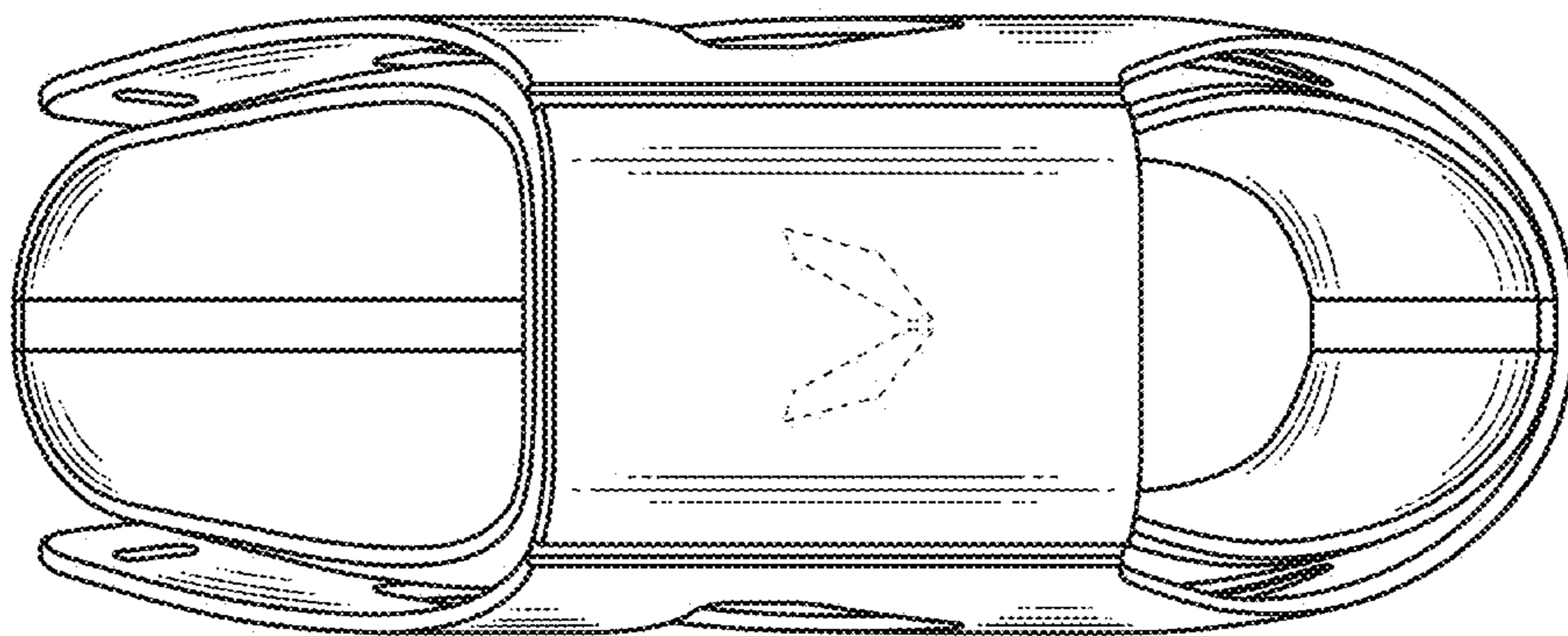


FIG. 5

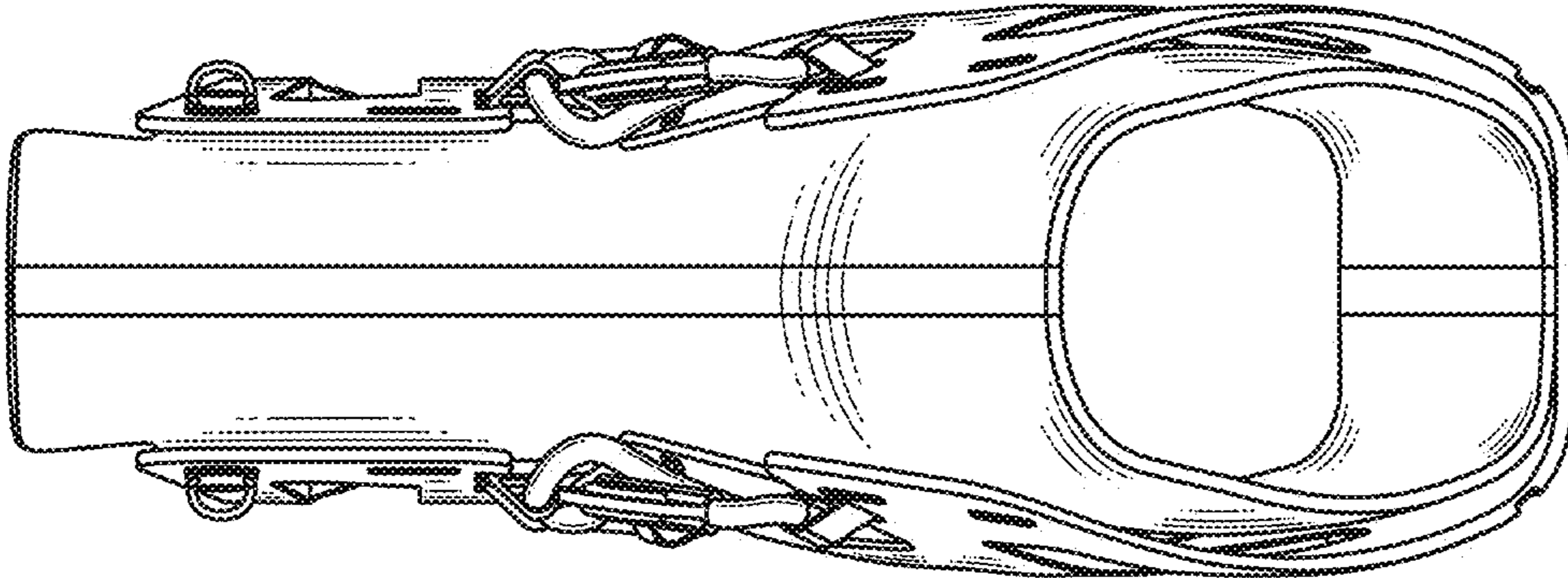


FIG.6

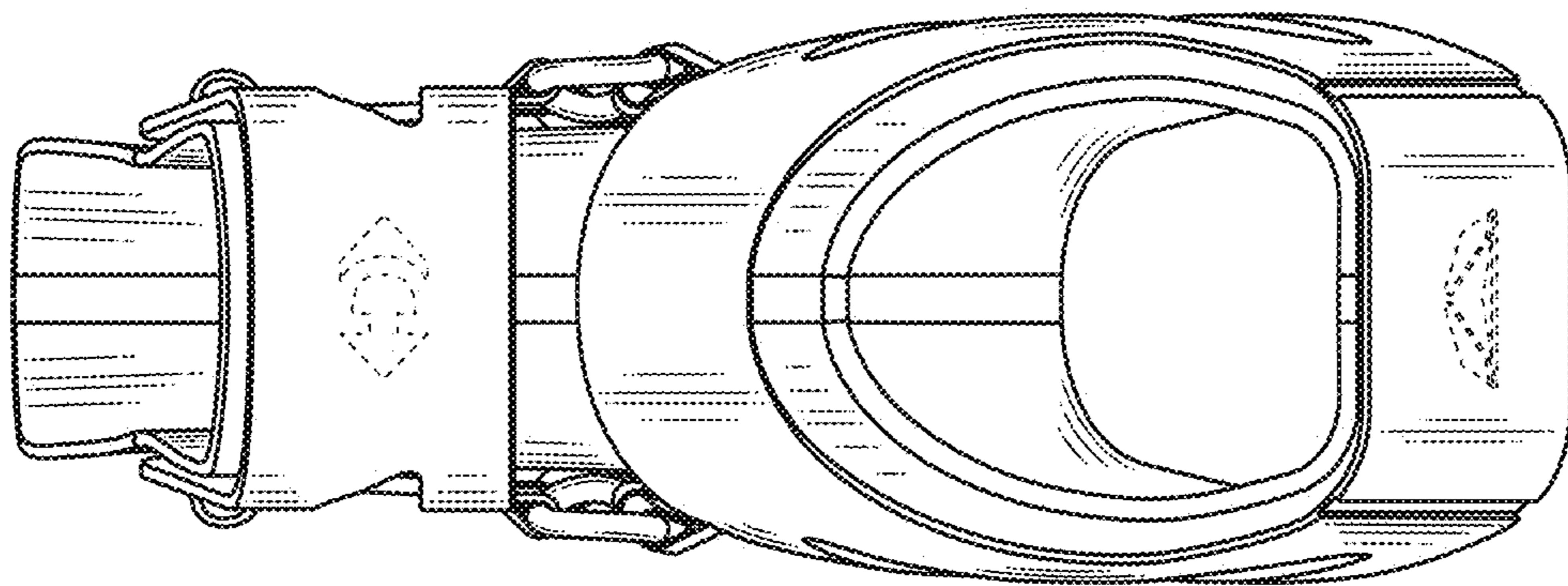


FIG. 7