



US00D879303S

(12) **United States Design Patent** (10) **Patent No.:** **US D879,303 S**
Engler et al. (45) **Date of Patent:** **** Mar. 24, 2020**

(54) **COMBINED SURGICAL NAVIGATION SYSTEM MONITOR AND STAND**

(71) Applicant: **AESCULAP AG**, Tuttlingen (DE)

(72) Inventors: **Bertold Engler**, München (DE); **Stefan Gassner**, Immendingen-Hattingen (DE)

(73) Assignee: **Aesculap AG** (DE)

(**) Term: **15 Years**

(21) Appl. No.: **29/608,575**

(22) Filed: **Jun. 22, 2017**

(30) **Foreign Application Priority Data**

Dec. 23, 2016 (EM) 003537133

(51) **LOC (12) Cl.** **24-01**

(52) **U.S. Cl.**
USPC **D24/185**

(58) **Field of Classification Search**
USPC D24/158-160, 170-171, 177, 183-186,
D24/231-232

CPC . A61B 34/20; A61B 34/2055; A61B 34/2063;
A61B 2034/2055; A61B 2034/2065

See application file for complete search history.

(56) **References Cited**

U.S. PATENT DOCUMENTS

- D363,989 S * 11/1995 Crouse D24/187
- 5,868,710 A * 2/1999 Battiato A61M 5/14546
128/DIG. 1
- 8,771,188 B2 * 7/2014 Schers A61B 8/0875
600/437
- D771,817 S * 11/2016 Barak D24/160
- D796,679 S * 9/2017 Dekock D24/158
- D805,646 S * 12/2017 Burns D24/185
- 9,855,109 B2 * 1/2018 Dekel A61B 50/13

- 2006/0079765 A1* 4/2006 Neer A61M 5/007
600/432
- 2006/0184124 A1* 8/2006 Cowan A61M 5/007
604/155
- 2007/0106128 A1* 5/2007 Lavallee A61B 90/36
600/300

FOREIGN PATENT DOCUMENTS

CN 304170228 * 6/2017

OTHER PUBLICATIONS

OrthoPilot® Hardware, posted at bbraun.com, posting date not available, online, site visited Mar. 6, 2018, URL: <https://www.bbraun.com/en/products-and-therapies/orthopaedic-joint-replacement/orthopilot/hardware.html> (Year: 2018).*

* cited by examiner

Primary Examiner — Barbara Fox

Assistant Examiner — Mary Shannon Malley

(74) *Attorney, Agent, or Firm* — RatnerPrestia

(57) **CLAIM**

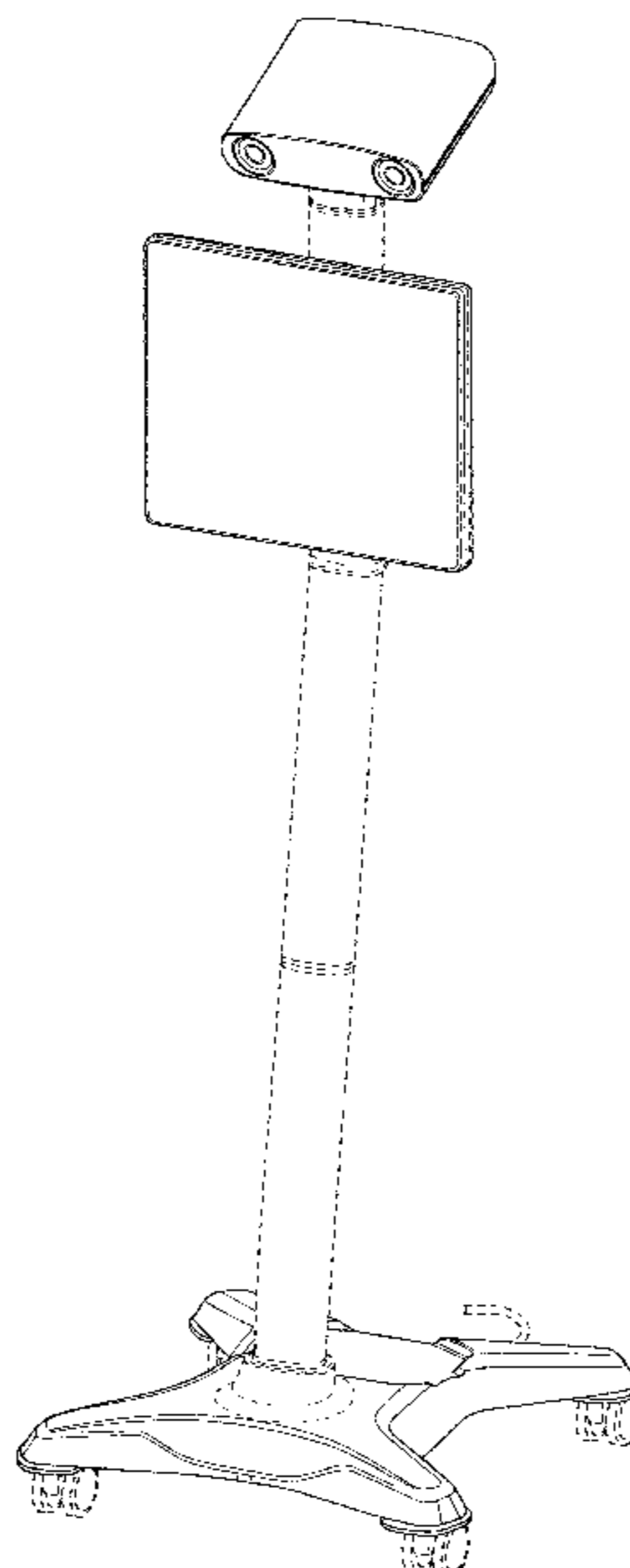
The ornamental design for a combined surgical navigation system monitor and stand, as shown and described.

DESCRIPTION

FIG. 1 is a perspective view of a combined surgical navigation system monitor and stand showing our new design; FIG. 2 is a first side view thereof; FIG. 3 is a second side view thereof; FIG. 4 is a front view thereof; FIG. 5 is a rear view thereof; FIG. 6 is a top view thereof; and, FIG. 7 is a bottom view thereof.

The broken lines depict portions of the combined surgical navigation system monitor and stand that form no part of the claimed design.

1 Claim, 7 Drawing Sheets



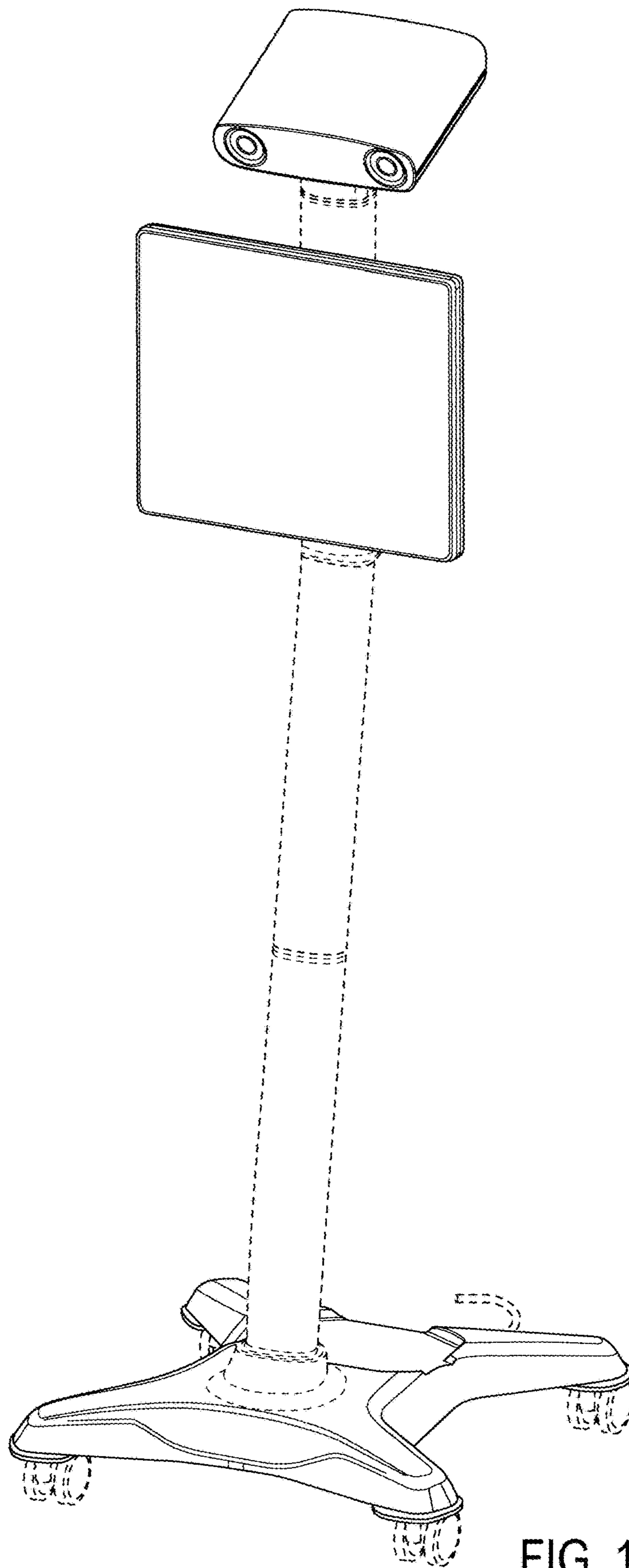


FIG. 1

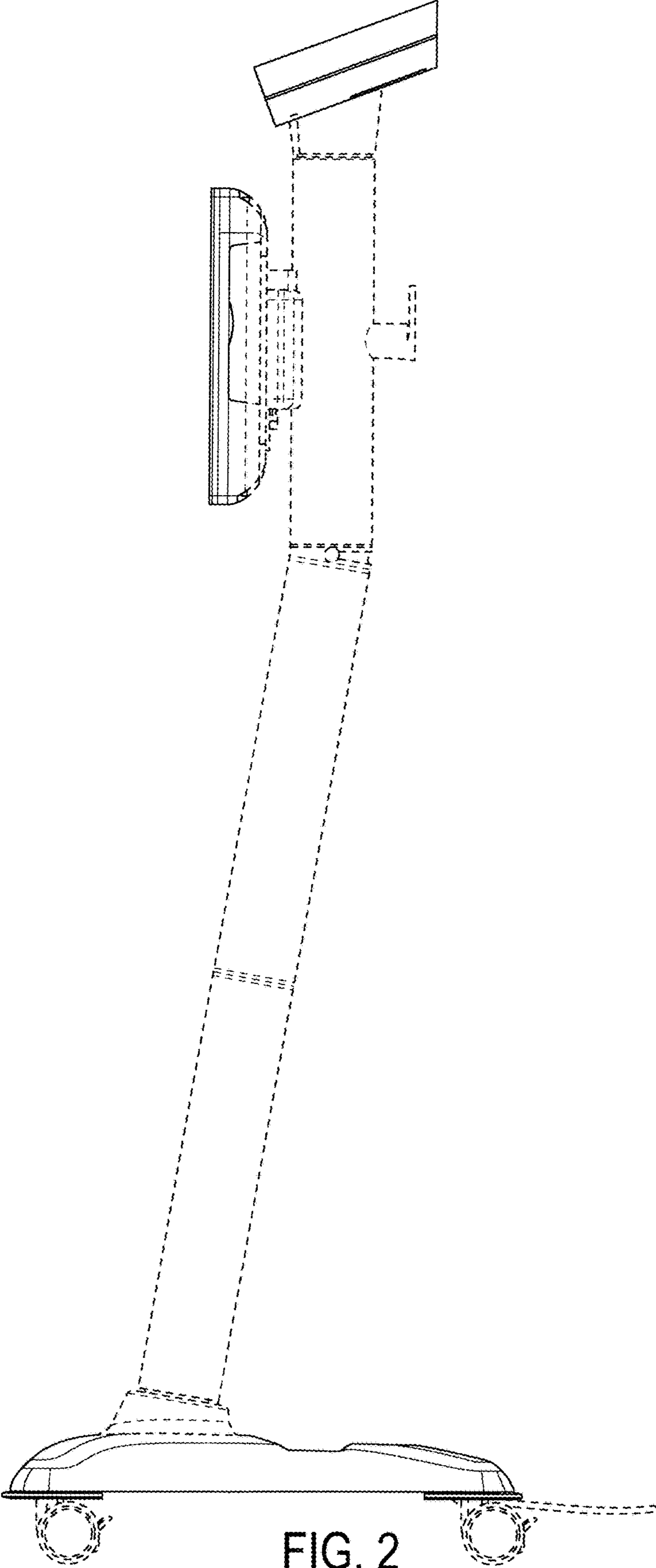


FIG. 2

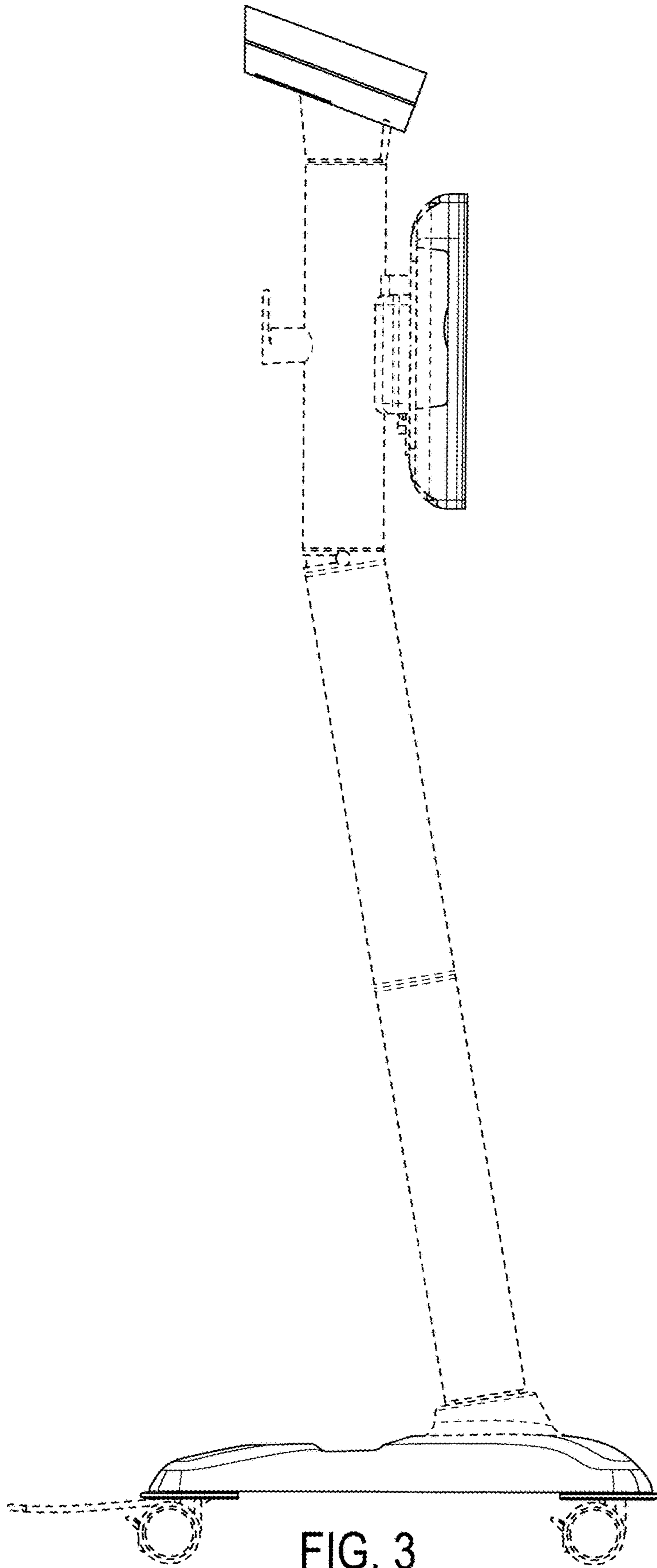


FIG. 3

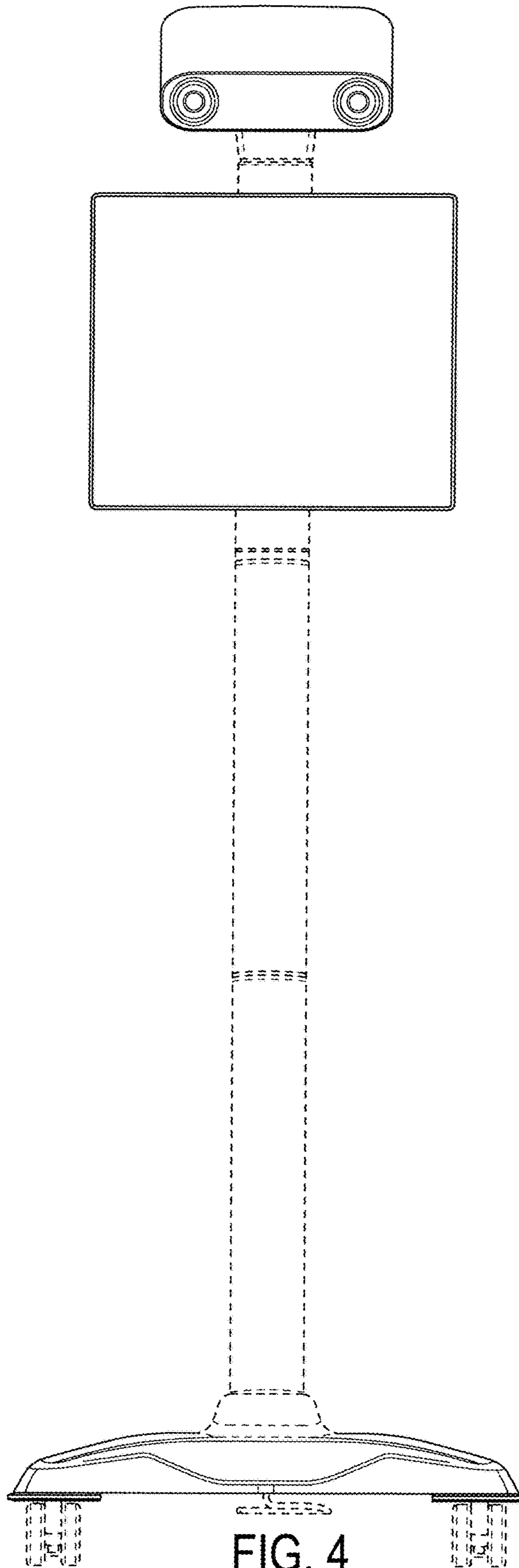
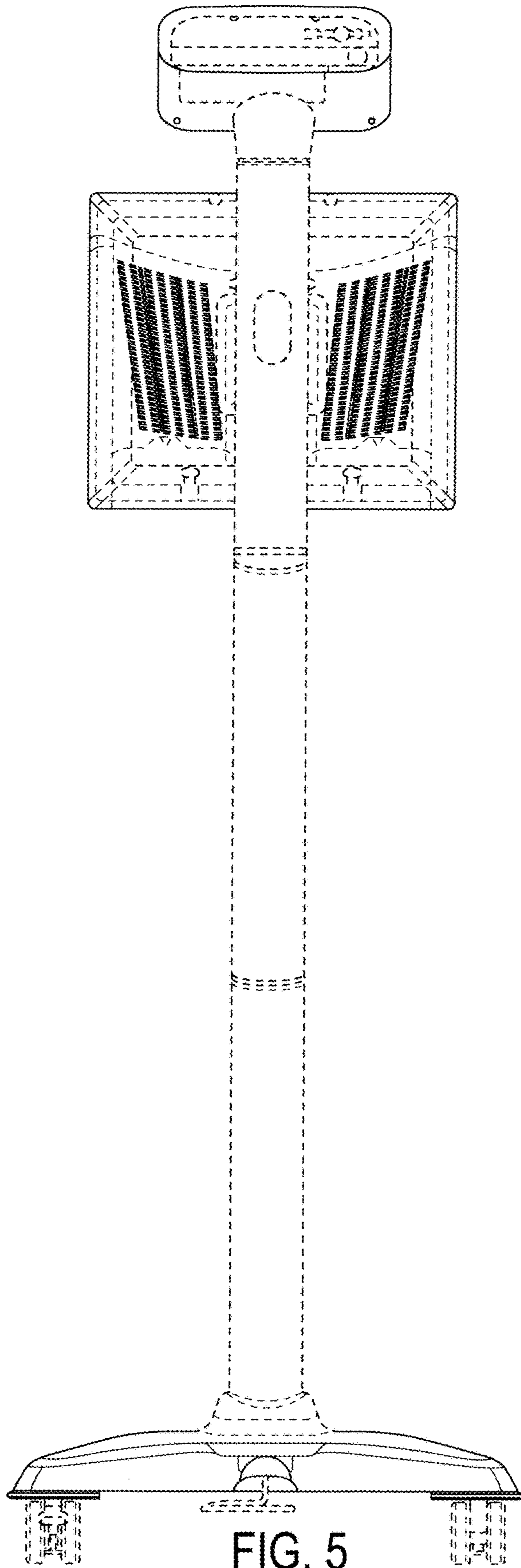


FIG. 4



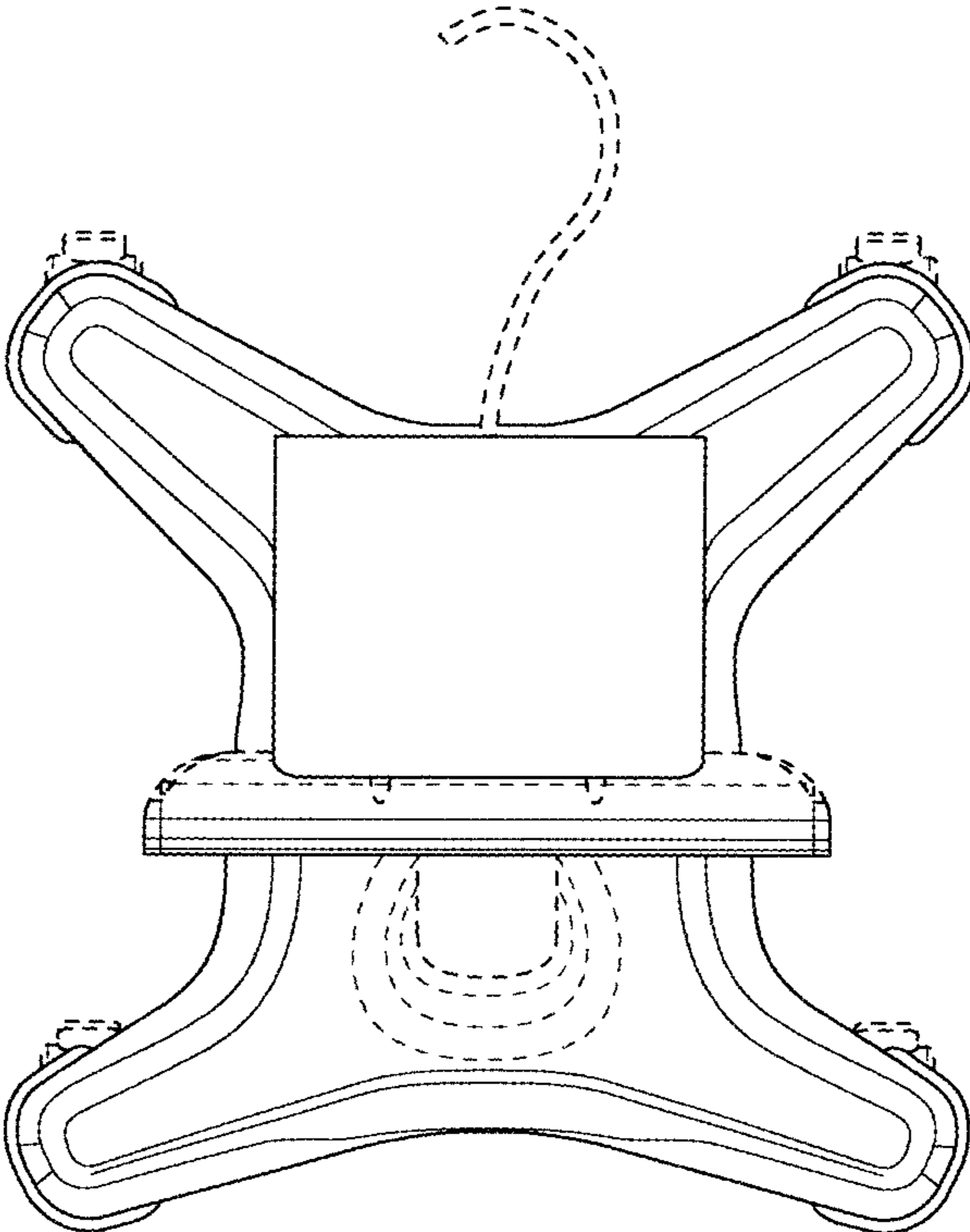


FIG. 6

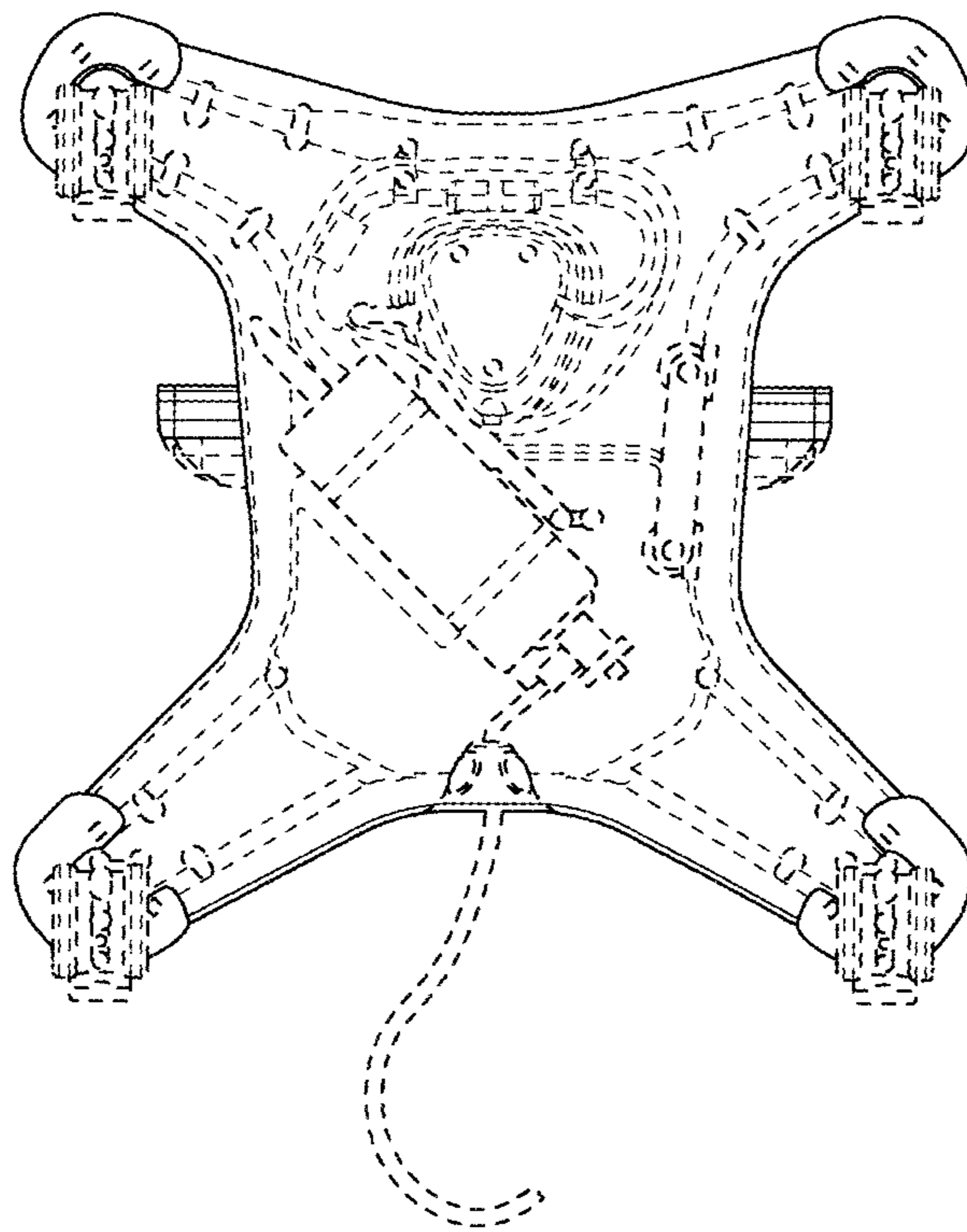


FIG. 7