



US00D879301S

(12) **United States Design Patent**
Morehead

(10) **Patent No.:** **US D879,301 S**
(45) **Date of Patent:** **** Mar. 24, 2020**

(54) **ORTHODONTIC ALIGNMENT DEVICE**

(71) Applicant: **Michael Brady Morehead**, San Antonio, TX (US)

(72) Inventor: **Michael Brady Morehead**, San Antonio, TX (US)

(**) Term: **15 Years**

(21) Appl. No.: **29/666,782**

(22) Filed: **Oct. 16, 2018**

(51) **LOC (12) Cl.** **24-02**

(52) **U.S. Cl.**
USPC **D24/180**

(58) **Field of Classification Search**
USPC D24/180–182, 110, 112, 127; 433/2–3, 433/141, 148
CPC A61C 7/02; A61C 7/08; A61C 7/00
See application file for complete search history.

(56) **References Cited**

U.S. PATENT DOCUMENTS

D300,561 S	4/1989	Asa et al.	
5,030,098 A	7/1991	Branford	
7,011,517 B2 *	3/2006	Nicozisis	A61C 7/02 433/141
D526,093 S	8/2006	Manzo et al.	
D558,345 S	12/2007	Witt	
D655,812 S	3/2012	Ramini et al.	
D655,816 S	3/2012	Llop et al.	
D661,806 S	6/2012	Khawaled et al.	
D663,485 S	7/2012	Turkbas et al.	
D674,487 S	1/2013	Kile et al.	
D677,007 S	2/2013	Bancroft	
D683,455 S	5/2013	Slominski	
D686,733 S	7/2013	Marumori et al.	
8,500,446 B2	8/2013	Lowe	
D711,530 S	8/2014	Gleason, Jr. et al.	
D721,438 S	1/2015	Layzell	
9,028,250 B2	5/2015	Spaulding et al.	

D734,851 S	7/2015	Nguyen et al.	
D747,607 S	1/2016	Serell	
9,370,405 B2	6/2016	Lowe	
D781,427 S	3/2017	Blank et al.	
D788,927 S *	6/2017	Yao	D24/176
D795,431 S	8/2017	Way et al.	
D795,440 S	8/2017	Way et al.	
D798,458 S	9/2017	Way et al.	
D809,660 S	2/2018	Nguyen et al.	
D820,458 S	6/2018	Way et al.	
2006/0281040 A1	12/2006	Kelling	
2008/0160473 A1	7/2008	Li et al.	

(Continued)

Primary Examiner — Wan Laymon

(74) *Attorney, Agent, or Firm* — Dunlap Bennett & Ludwig PLLC

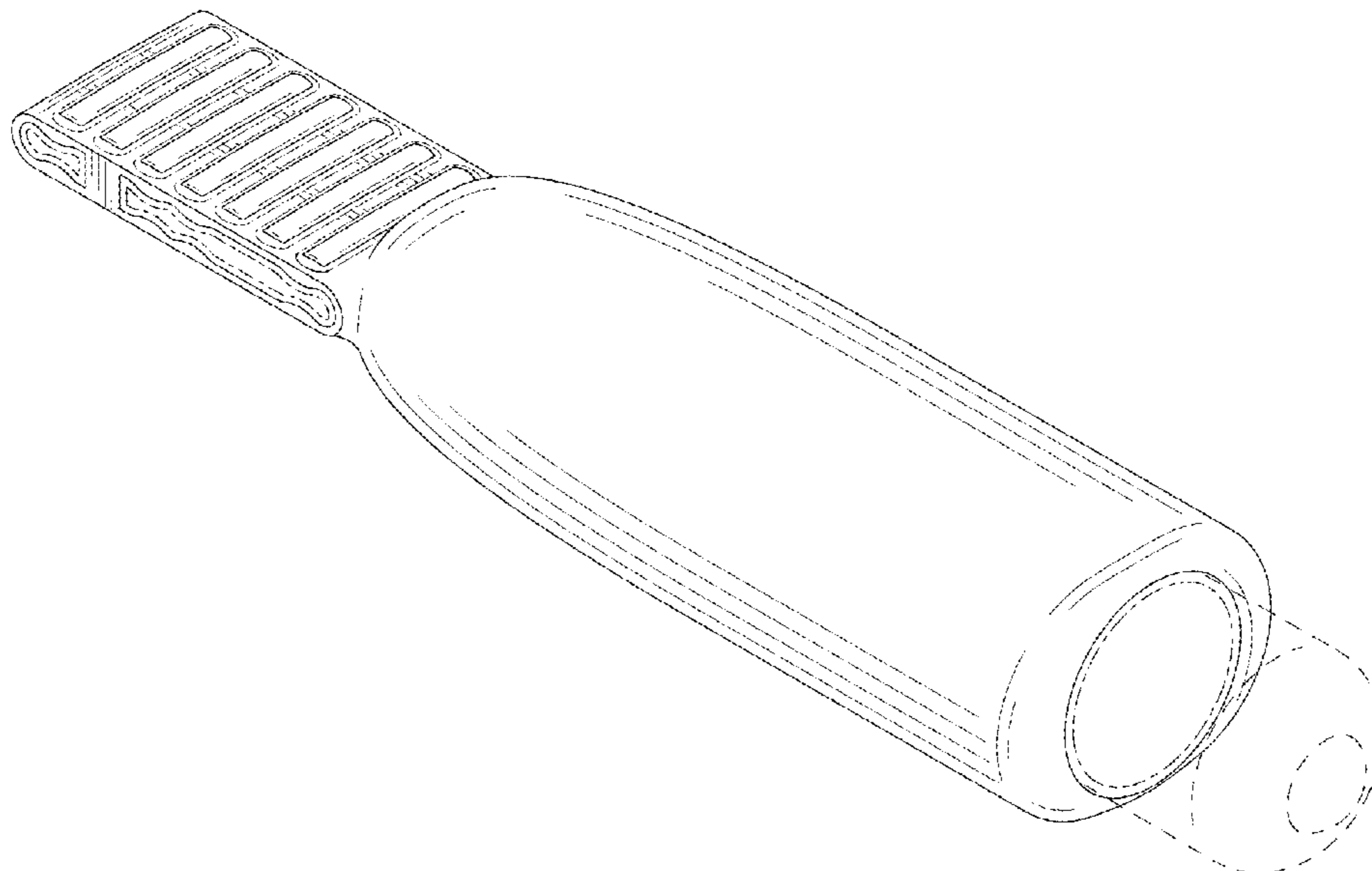
(57) **CLAIM**

The ornamental design for an orthodontic alignment device, as shown and described.

DESCRIPTION

FIG. 1 is a perspective view of an orthodontic alignment device, showing my new design;
 FIG. 2 is a left elevation view thereof, the right elevation view being a mirror image thereof;
 FIG. 3 is a front elevation view thereof;
 FIG. 4 is a rear elevation view thereof;
 FIG. 5 is a top plan view thereof, the bottom plan view being a mirror image thereof; and,
 FIG. 6 is a perspective view of an orthodontic alignment device, showing my new design, shown in use.
 The evenly-sized broken lines depict portions of the orthodontic alignment device that form no part of the claimed design. The unevenly-sized broken lines consisting of dash-dot-dash lines in the drawings depict the boundary of the claimed invention and it is understood that the claim extends to the boundary that forms no part of the claimed design.

1 Claim, 3 Drawing Sheets



(56)

References Cited

U.S. PATENT DOCUMENTS

2010/0092916 A1 4/2010 Teixeira et al.
2012/0040300 A1 2/2012 Levens et al.
2013/0273490 A1 10/2013 Way et al.

* cited by examiner

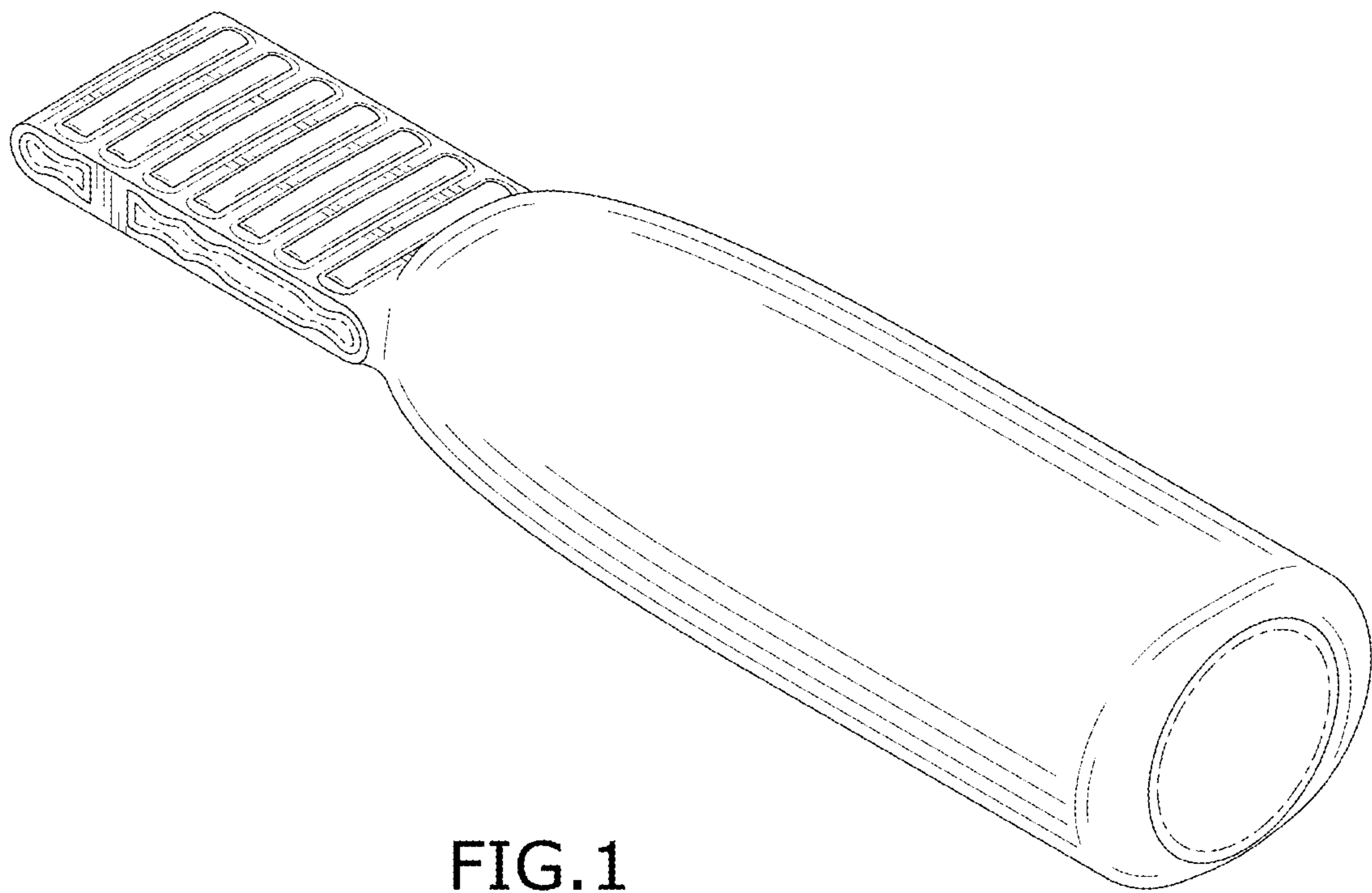


FIG. 1

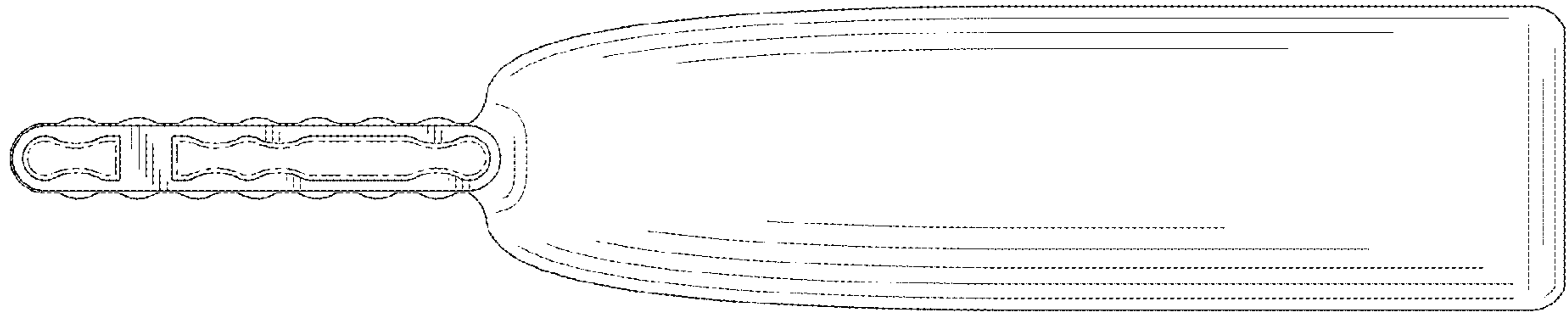


FIG. 2

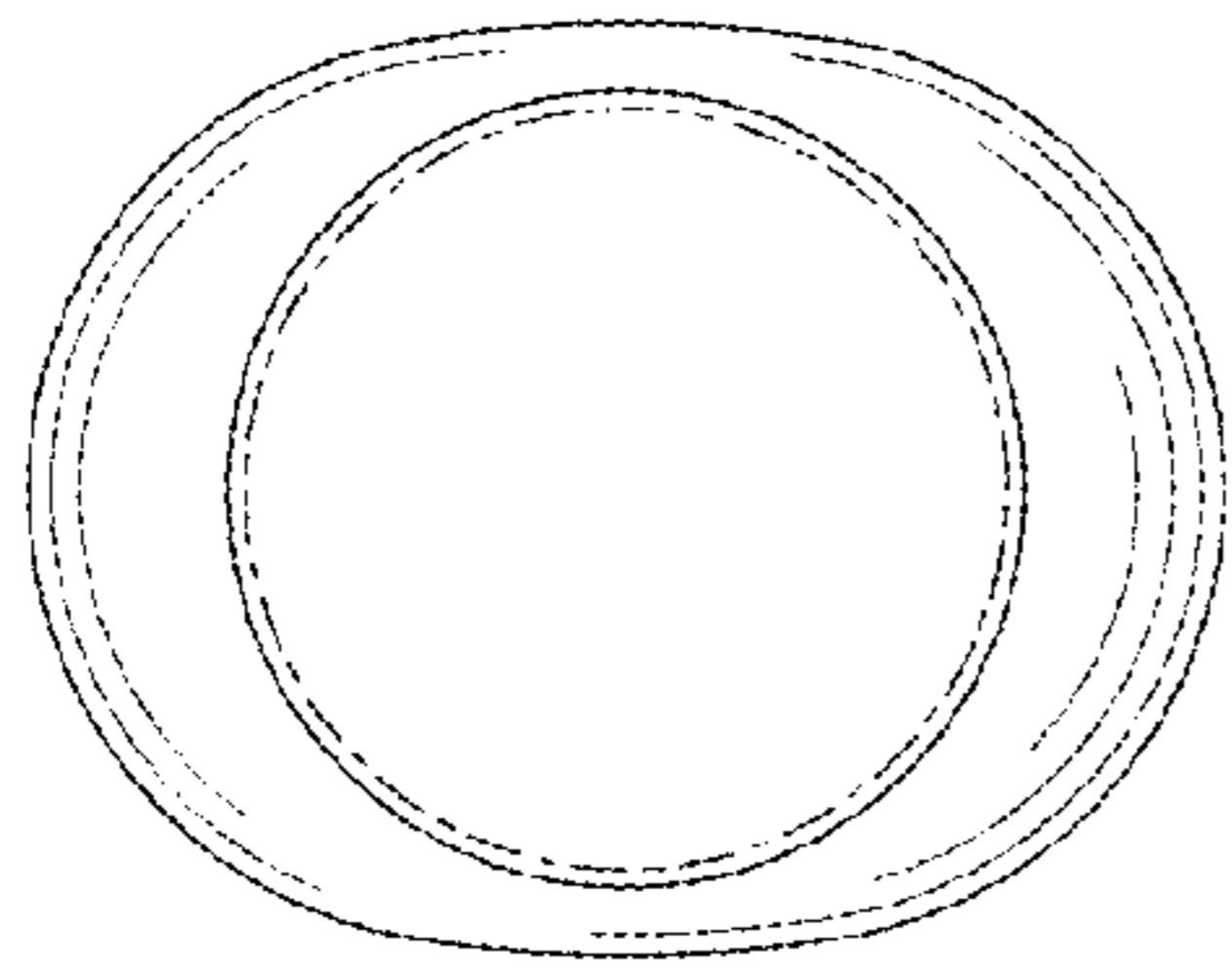


FIG. 3

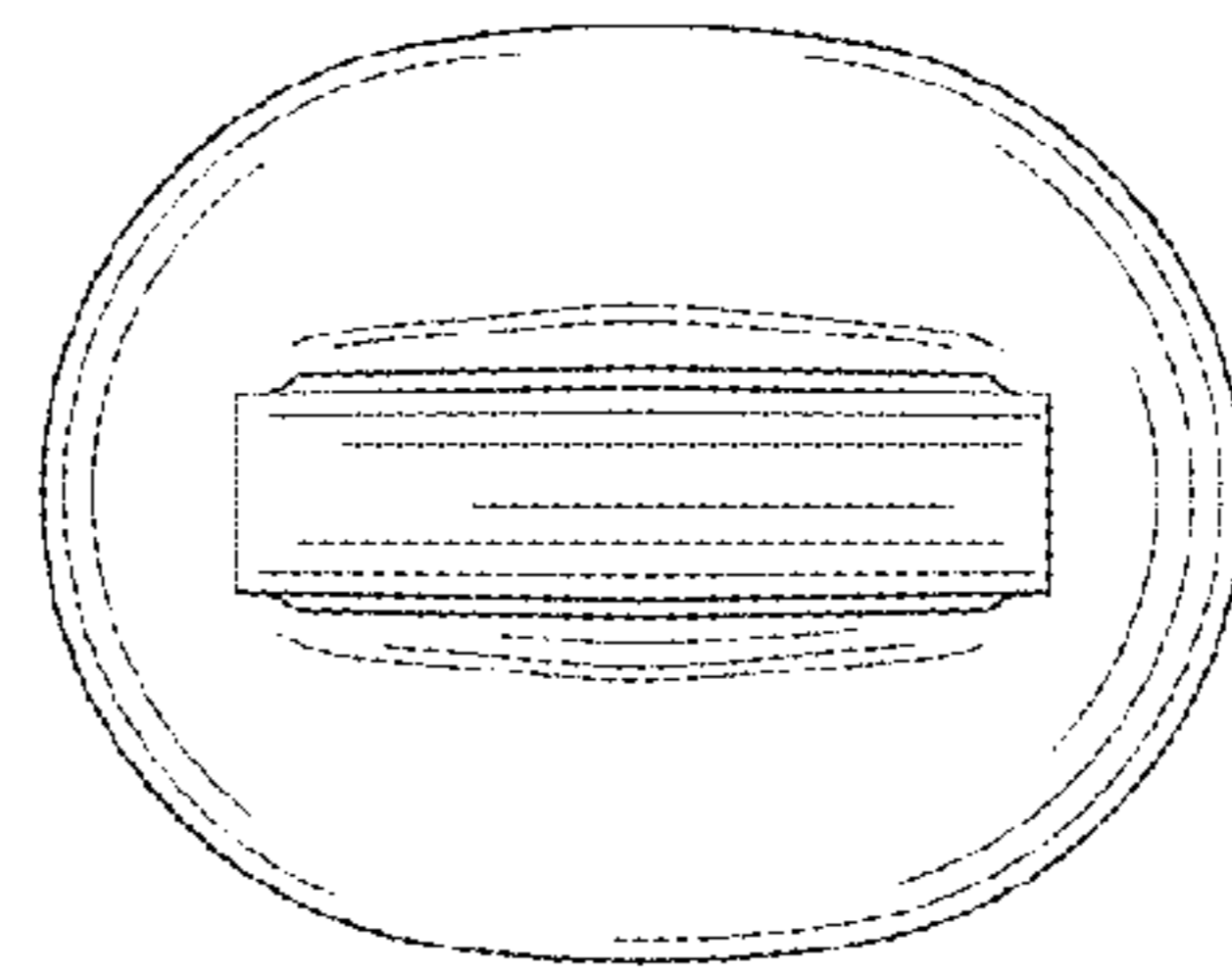


FIG. 4

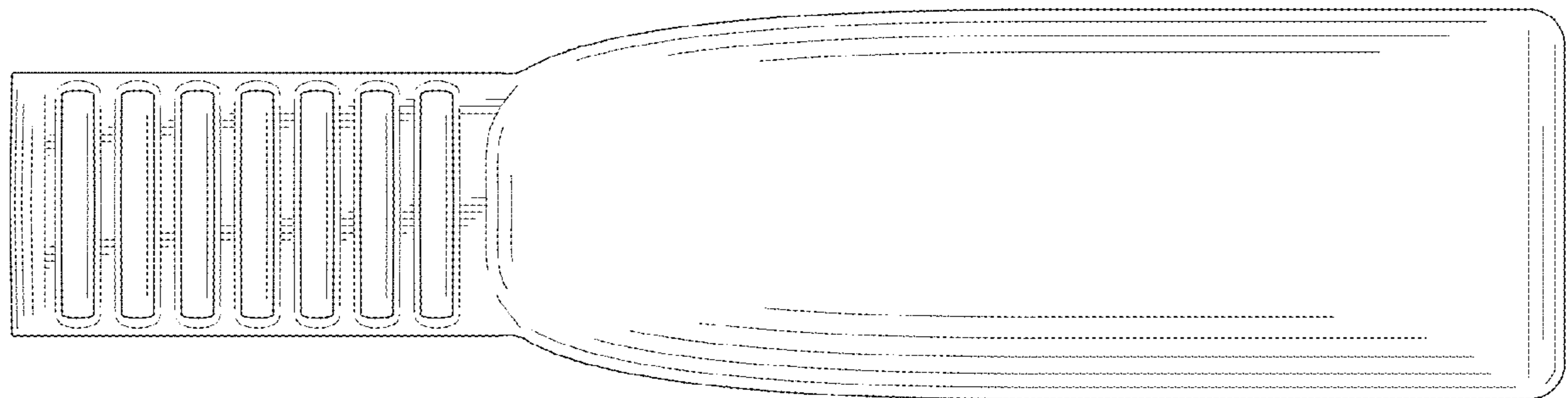


FIG. 5

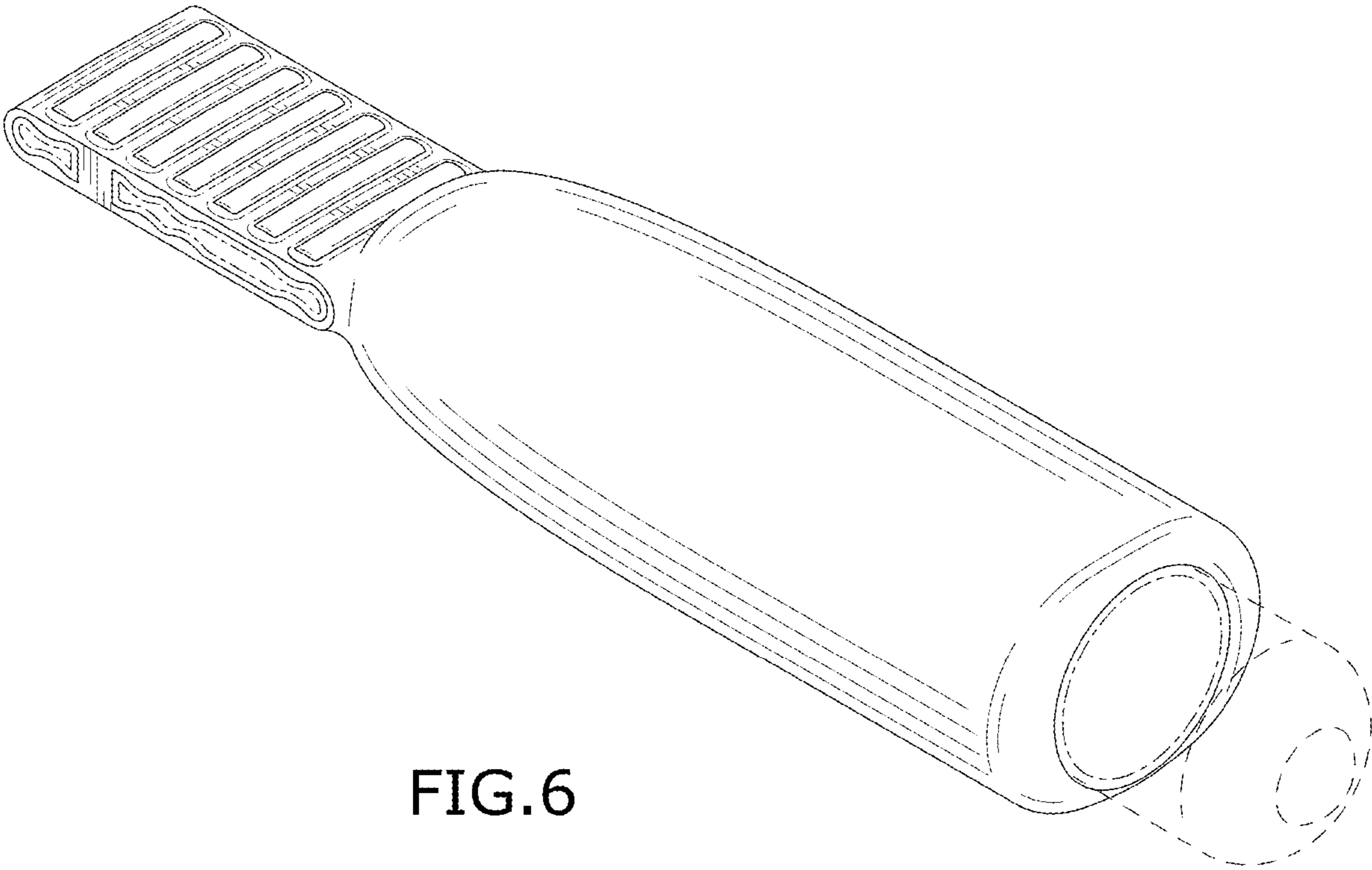


FIG. 6