



US00D879300S

(12) **United States Design Patent**  
**Pfleiderer et al.**

(10) **Patent No.:** **US D879,300 S**  
(45) **Date of Patent:** **\*\* Mar. 24, 2020**

(54) **DENTAL TOOL READER**

FOREIGN PATENT DOCUMENTS

(71) Applicant: **DENTSPLY SIRONA Inc.**, York, PA  
(US)

EP 1531750 A1 5/2005  
EP 2233103 A2 9/2010  
EP 2525199 A1 11/2012

(72) Inventors: **Martin Pfleiderer**, Auvernier (CH);  
**Moritz Manderscheid**, Darmstadt (DE)

OTHER PUBLICATIONS

(73) Assignee: **DENTSPLY SIRONA Inc.**, York, PA  
(US)

International Search Report; PCT/US2019/028229; dated May 29,  
2019 (completed); dated Jun. 12, 2019 (mailed).

(Continued)

(\*\*) Term: **15 Years**

*Primary Examiner* — Wan Laymon

(21) Appl. No.: **29/645,310**

(74) *Attorney, Agent, or Firm* — Dentsply Sirona Inc.

(22) Filed: **Apr. 25, 2018**

(51) **LOC (12) Cl.** ..... **24-02**

(52) **U.S. Cl.**  
USPC ..... **D24/176**

(57) **CLAIM**

(58) **Field of Classification Search**  
USPC .... D24/176–178, 184–185, 232; 433/27, 31,  
433/114, 119, 215  
CPC ..... A61C 1/0015; A61C 1/08; A61C 1/084;  
A61C 3/04; A61C 5/40  
See application file for complete search history.

The ornamental design for a dental tool reader, as shown and  
described.

**DESCRIPTION**

(56) **References Cited**

U.S. PATENT DOCUMENTS

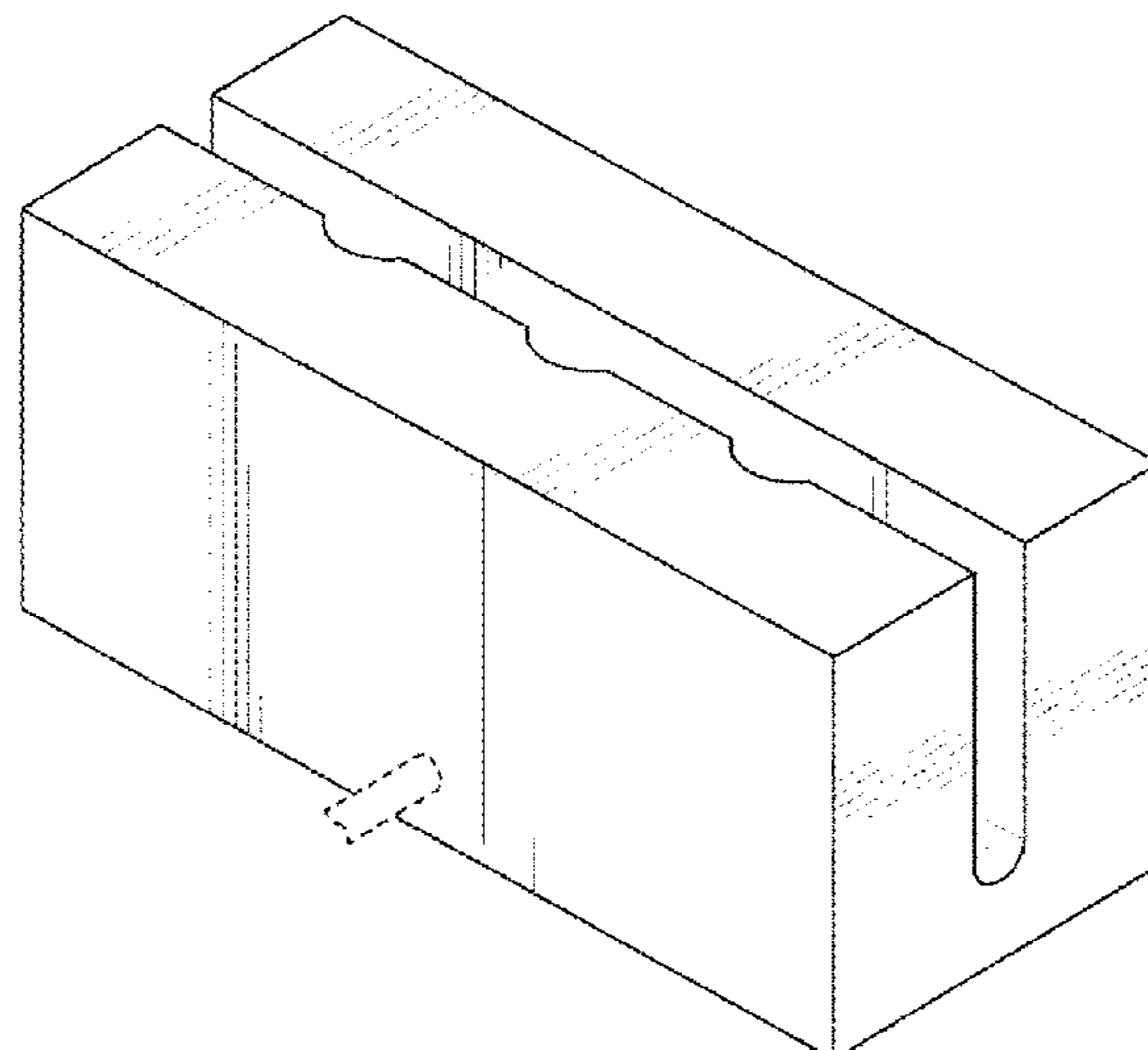
4,900,252 A \* 2/1990 Liefke ..... A61C 3/04  
433/27  
8,936,465 B2 \* 1/2015 Helfenbein ..... A61C 5/40  
433/114  
D768,862 S \* 10/2016 Werner ..... D24/176  
2008/0254404 A1 \* 10/2008 Heraud ..... A61C 3/04  
433/27  
2008/0293008 A1 \* 11/2008 Regere ..... A61C 1/0015  
433/119  
2010/0161955 A1 \* 6/2010 Helfenbein ..... A61C 5/40  
713/100  
2010/0279250 A1 \* 11/2010 Pond ..... A61C 1/0084  
433/80  
2014/0248577 A1 \* 9/2014 Tahmasebi ..... A61C 1/082  
433/215

FIG. 1 is a perspective view of a dental tool reader of the  
present invention;  
FIG. 2 is a top view of the dental tool reader shown in FIG.  
**1**;  
FIG. 3 is a bottom view of the dental tool reader shown in  
FIG. 1;  
FIG. 4 is a left side view of the dental tool reader shown in  
FIG. 1;  
FIG. 5 is a right side view of the dental tool reader shown  
in FIG. 1;  
FIG. 6 is a front view of the dental tool reader shown in FIG.  
**1**; and,  
FIG. 7 is a rear view of the dental tool reader shown in FIG.  
**1**.

The broken lines shown in the drawings are included for the  
purpose of illustrating portions of the dental tool reader and  
form no part of the claimed design.

(Continued)

**1 Claim, 7 Drawing Sheets**



(56)

**References Cited**

U.S. PATENT DOCUMENTS

2018/0092710 A1 4/2018 Bosisio

OTHER PUBLICATIONS

Written Opinion of the International Searching Authority; PCT/  
US2019/028229; dated May 29, 2019 (completed); dated Jun. 12,  
2019 (mailed).

\* cited by examiner

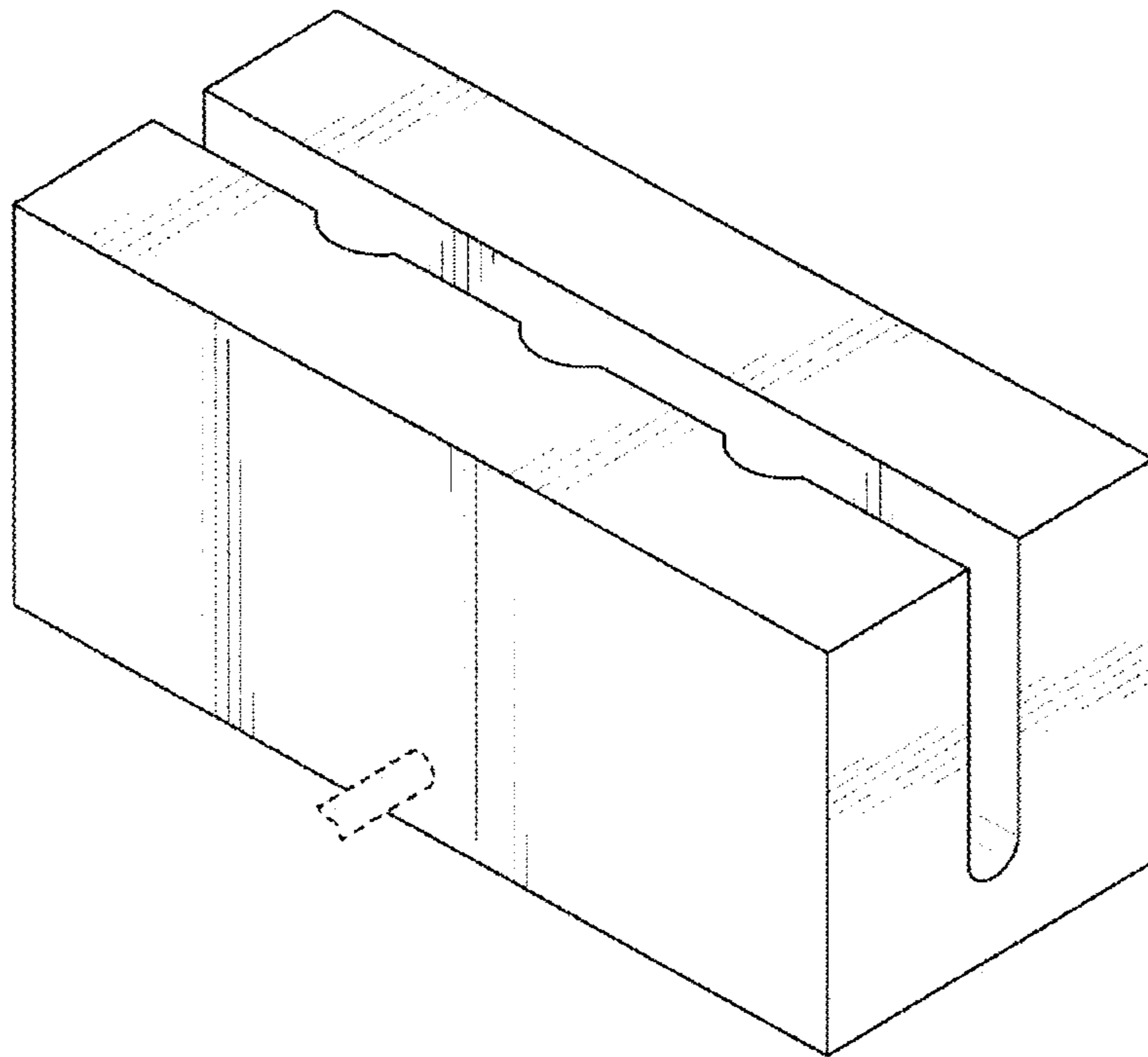


FIG. 1

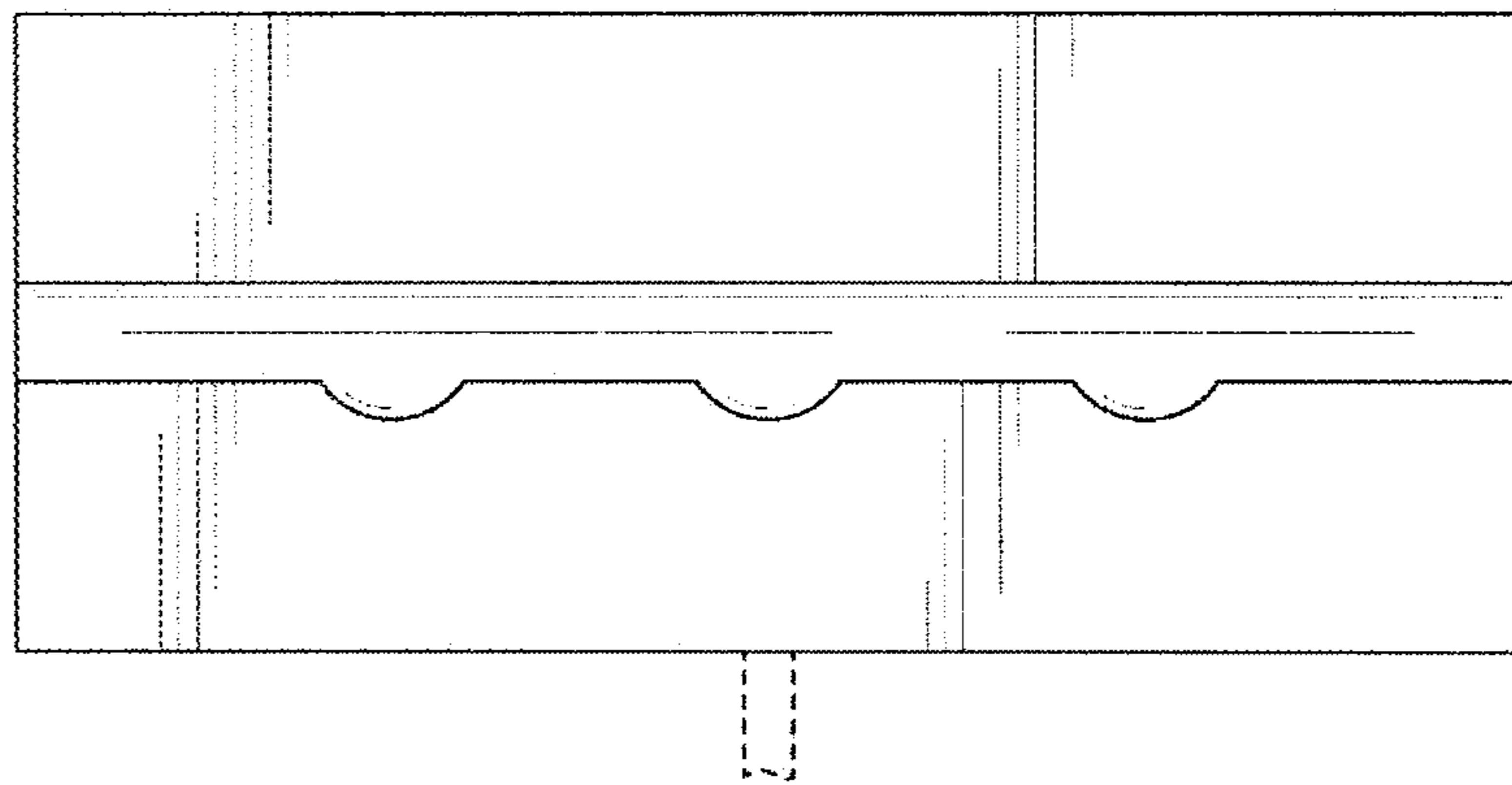


FIG. 2

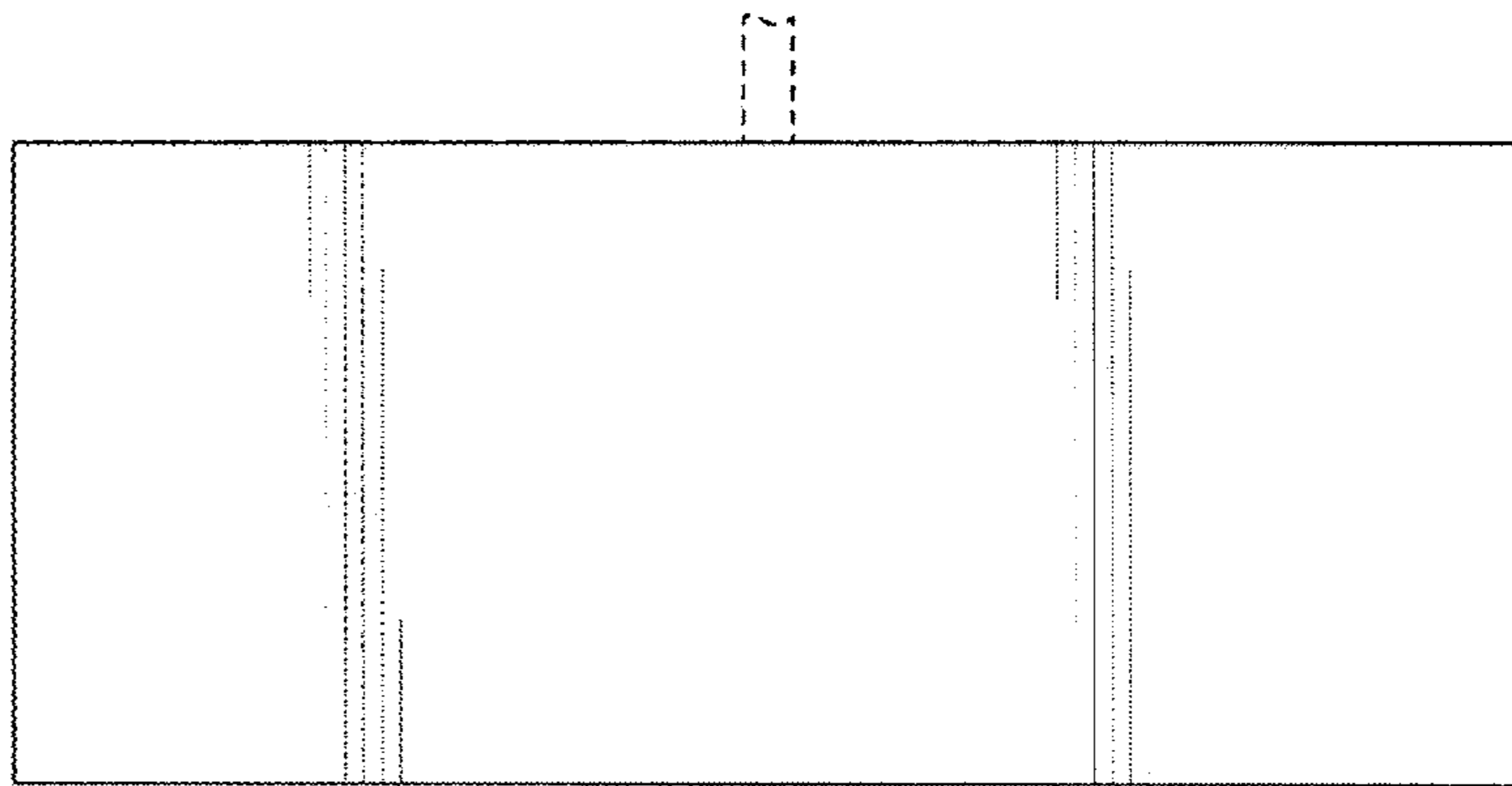


FIG. 3

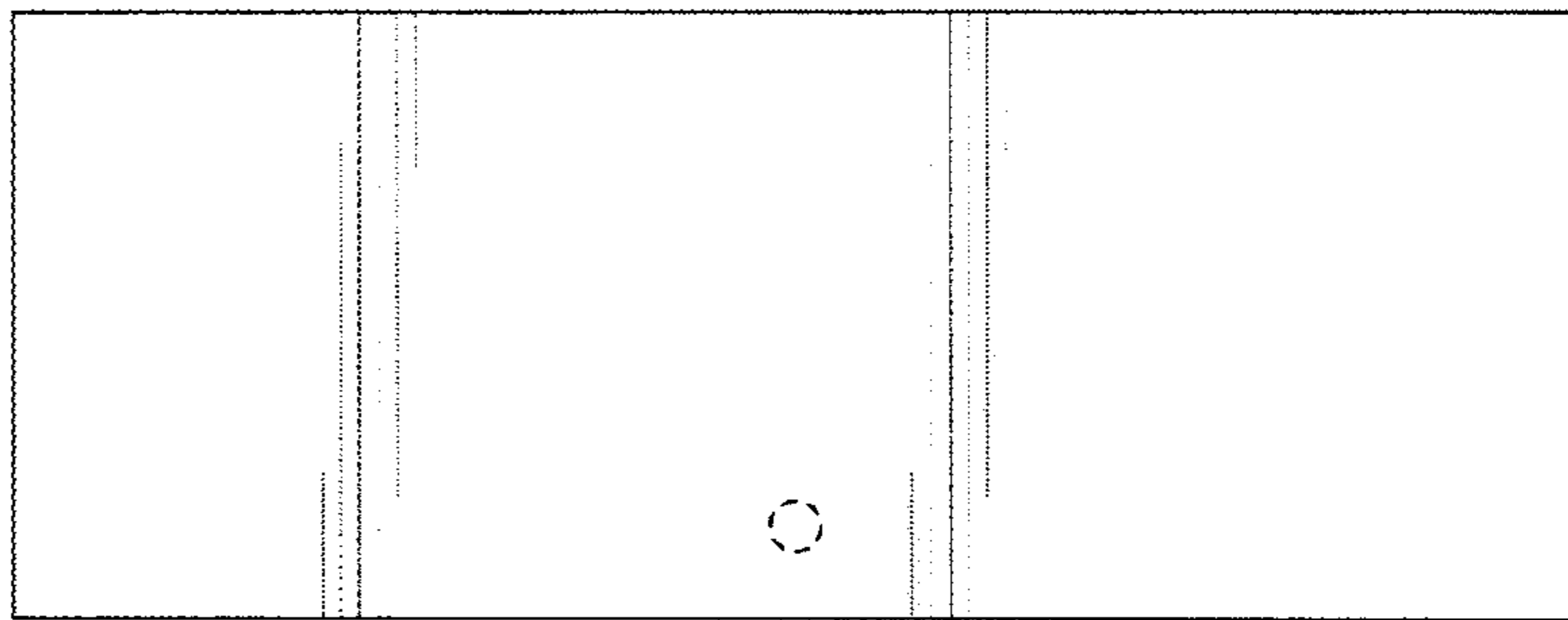


FIG. 4

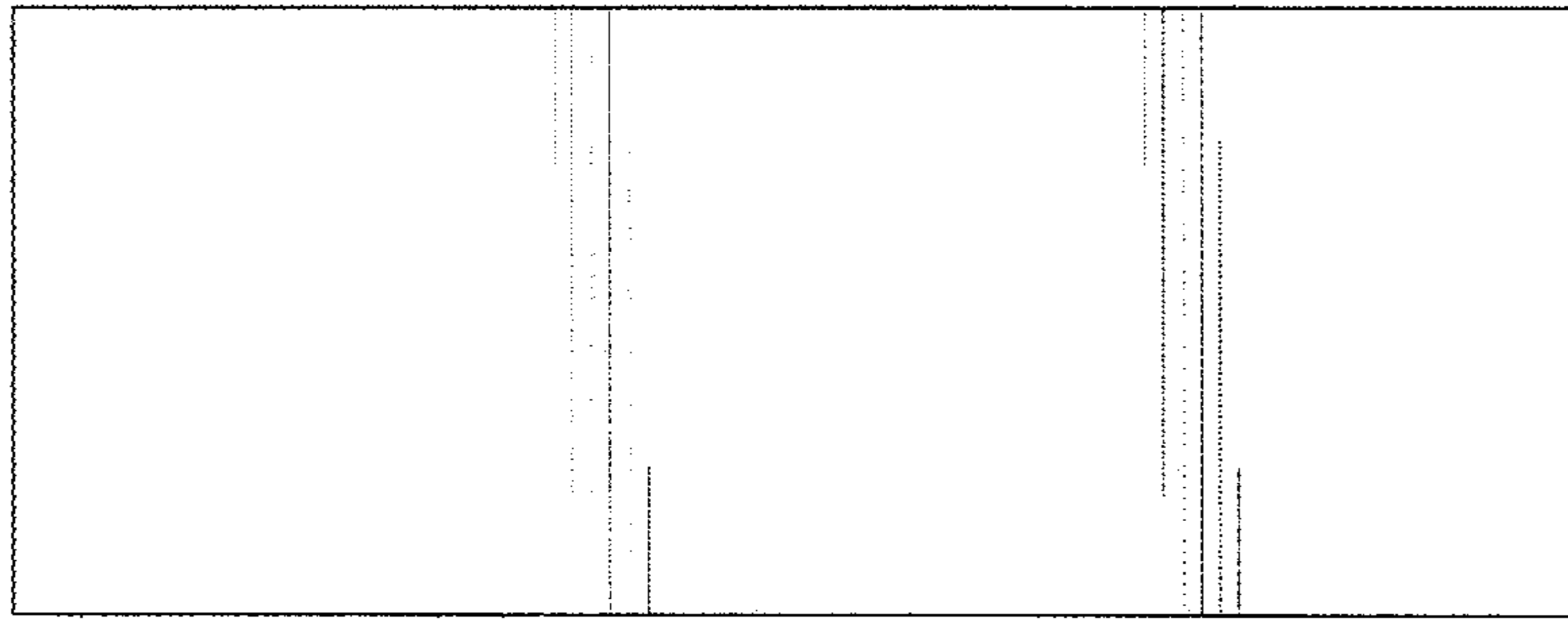


FIG. 5

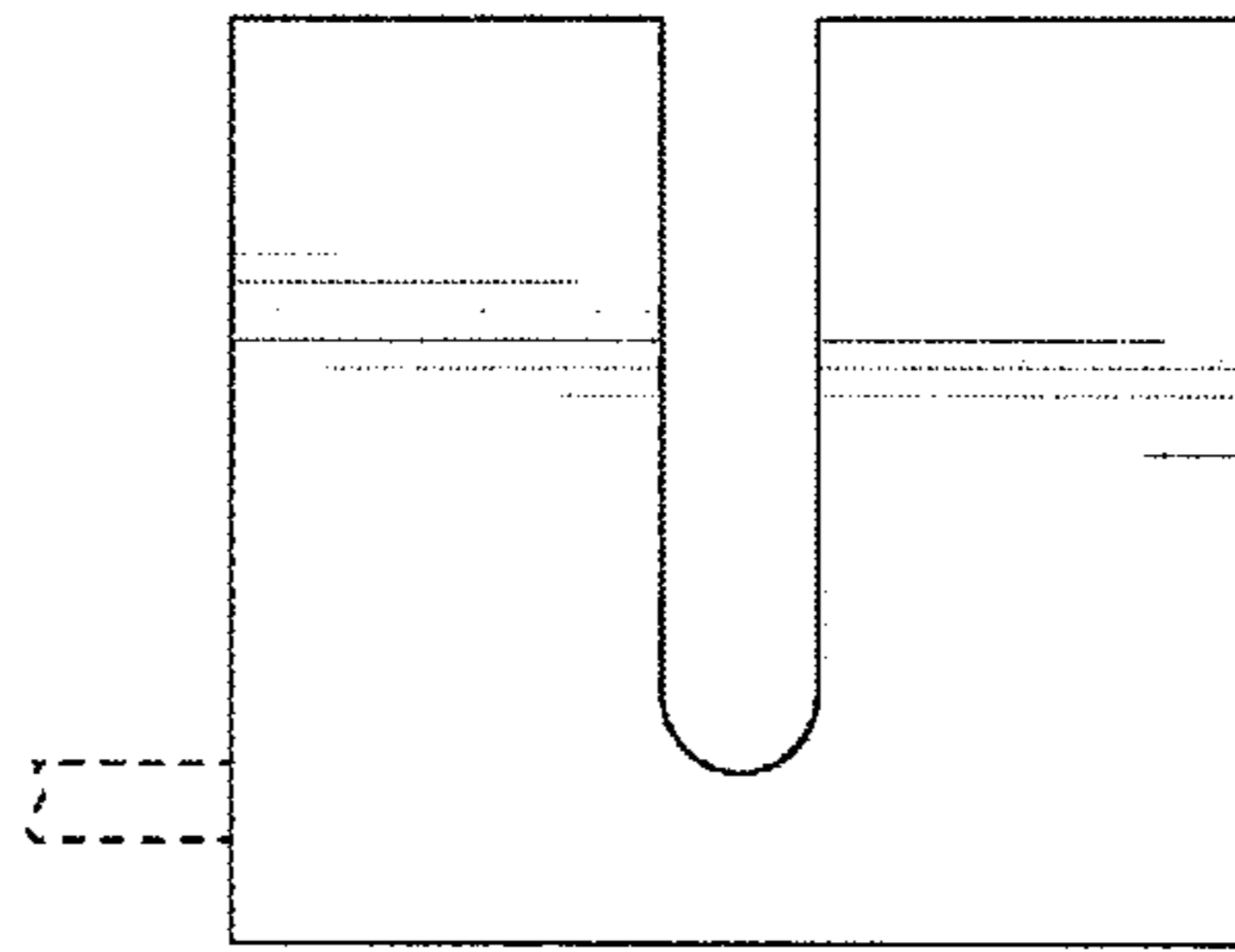


FIG. 6



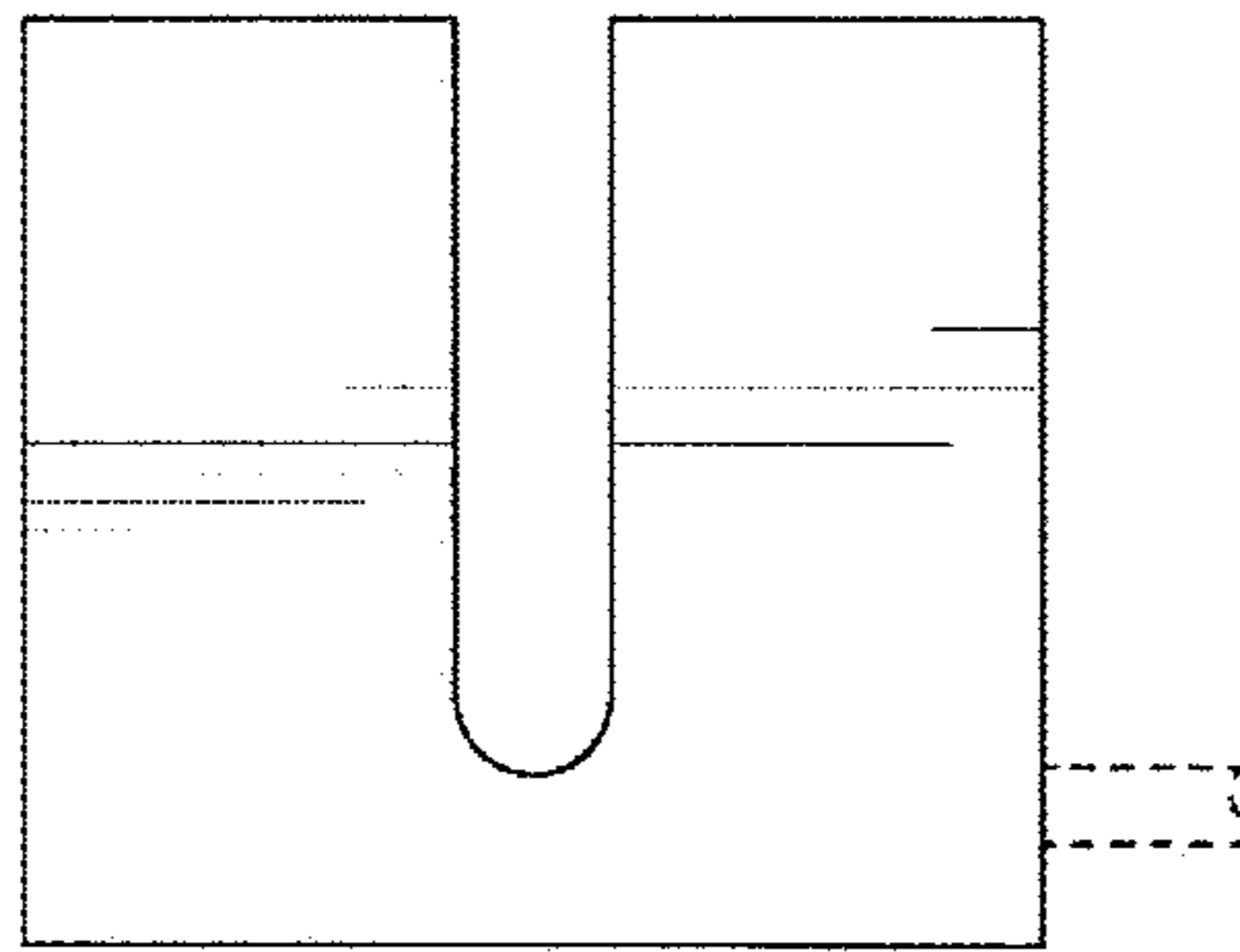


FIG. 7