



US00D879298S

(12) **United States Design Patent** (10) **Patent No.:** **US D879,298 S**
Byung (45) **Date of Patent:** **** Mar. 24, 2020**

(54) **CHARGING HOLDER FOR SPHYGMOMANOMETER**
(71) Applicant: **SKY LABS INC.**, Gyeonggi-Do (KR)
(72) Inventor: **Hwan Lee Byung**, Yongin-si (KR)
(**) Term: **15 Years**
(21) Appl. No.: **35/505,208**
(22) Filed: **Dec. 27, 2017**
(80) **Hague Agreement Data**

Int. Filing Date: **Dec. 27, 2017**
Int. Reg. No.: **DM/100538**
Int. Reg. Date: **Dec. 27, 2017**
Int. Reg. Pub. Date: **Jun. 29, 2018**

(51) **LOC (12) Cl.** **24-02**
(52) **U.S. Cl.**
USPC **D24/165**; D13/108
CPC **A61B 8/04** (2013.01)

(58) **Field of Classification Search**
USPC D24/164-168, 186, 107, 75;
D13/107-110, 118, 119, 184; D14/251,
D14/253, 432, 434
CPC A61B 5/0402; A61B 5/0404; A61B 5/021;
A61B 5/024; A61B 5/02438; A61B
5/681; A61B 2560/0205; A61B
2560/0462; A61B 8/04; Y02E 60/12;
Y02T 90/14; Y02T 90/122; Y02T 90/128;
Y02T 90/163; H02J 7/025; H02J 7/0042;
H02J 7/0044; H02J 7/0045; H02J 7/0003;
H01F 38/14; H01R 13/6675; H01M
2/1022; H01M 2/1055; H01M 10/44;
H01M 10/46; H01M 10/425; B60L
11/182

See application file for complete search history.

(56) **References Cited**
U.S. PATENT DOCUMENTS

4,328,810 A * 5/1982 Hill A61B 5/02208
600/493
4,493,326 A * 1/1985 Hill A61B 5/02208
600/493

D725,034 S * 3/2015 Chen D13/108
D733,656 S * 7/2015 Anderssen D13/147
D735,131 S * 7/2015 Akana D13/108
D737,762 S * 9/2015 Aumiller D13/108
D747,267 S * 1/2016 Aumiller D13/108
D768,114 S * 10/2016 Hou D13/168
D771,324 S * 11/2016 Churchill D30/153
D777,924 S * 1/2017 Ogihara D24/165
D794,556 S * 8/2017 Liao D13/107
9,788,736 B2 * 10/2017 Uesaka A61B 5/02233
D810,015 S * 2/2018 Carreon D13/108
D810,680 S * 2/2018 Carreon D13/108
D812,563 S * 3/2018 Akana D13/108
D834,430 S * 11/2018 Schaad D10/30
D839,191 S * 1/2019 Akana D13/108

FOREIGN PATENT DOCUMENTS

WO WO-2010052970 A1 * 5/2010 A61B 5/02233

* cited by examiner

Primary Examiner — Richard E Chilcot

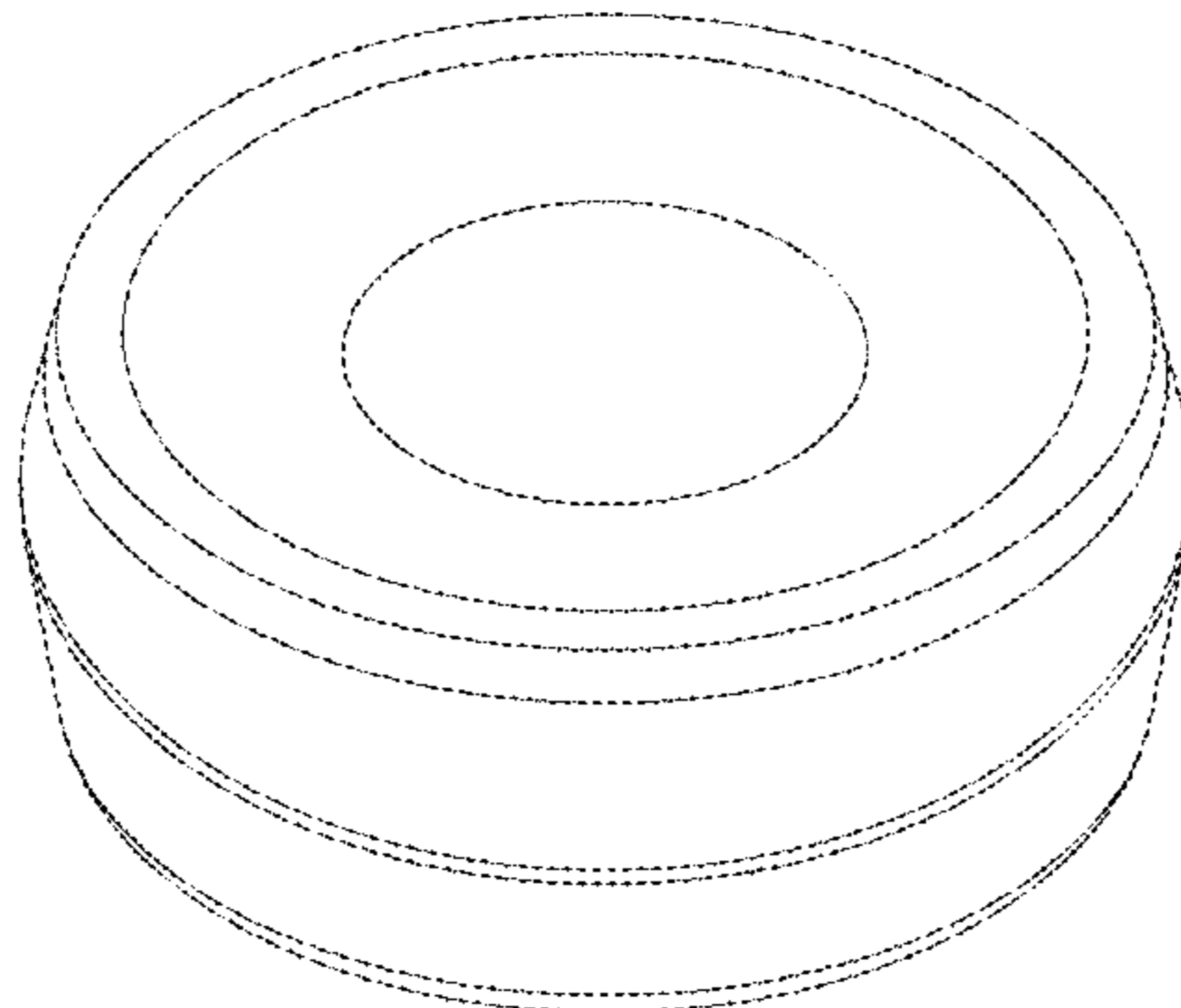
(57) **CLAIM**

The ornamental design for a charging holder for a sphygmomanometers, as shown and described.

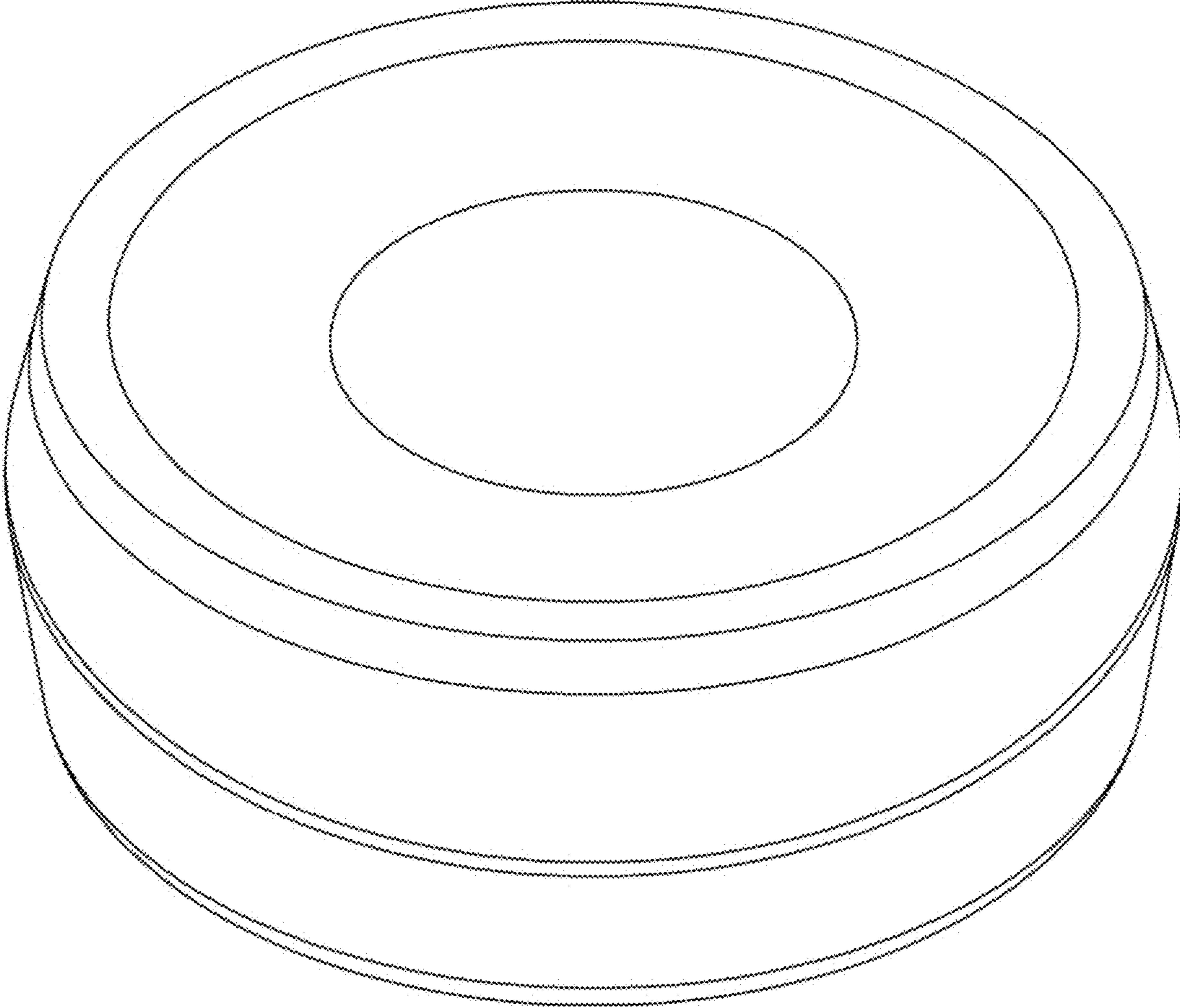
DESCRIPTION

- 1. Charging holder for sphygmomanometers
- 1.1 : Perspective
- 1.2 : Front
- 1.3 : Back
- 1.4 : Left
- 1.5 : Right
- 1.6 : Top
- 1.7 : Bottom
- 1.8 : Other side perspective

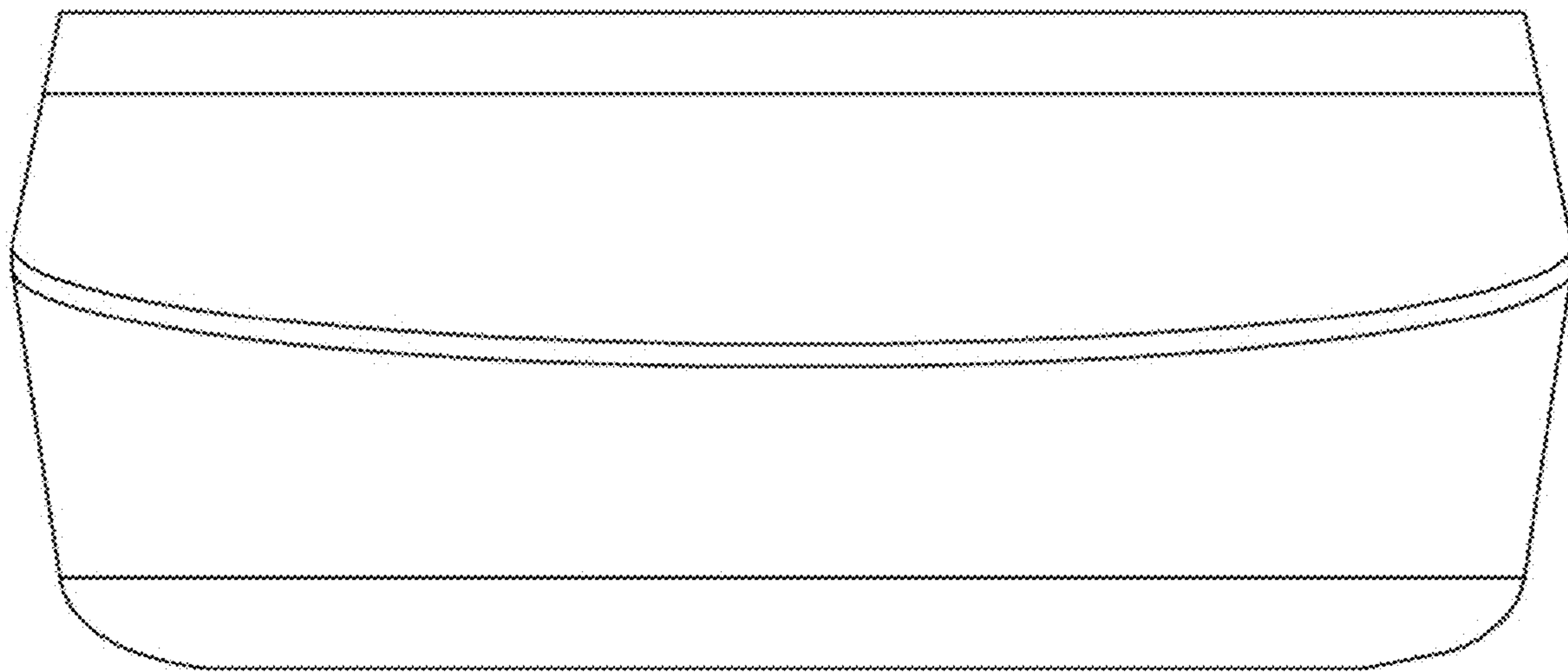
1 Claim, 8 Drawing Sheets



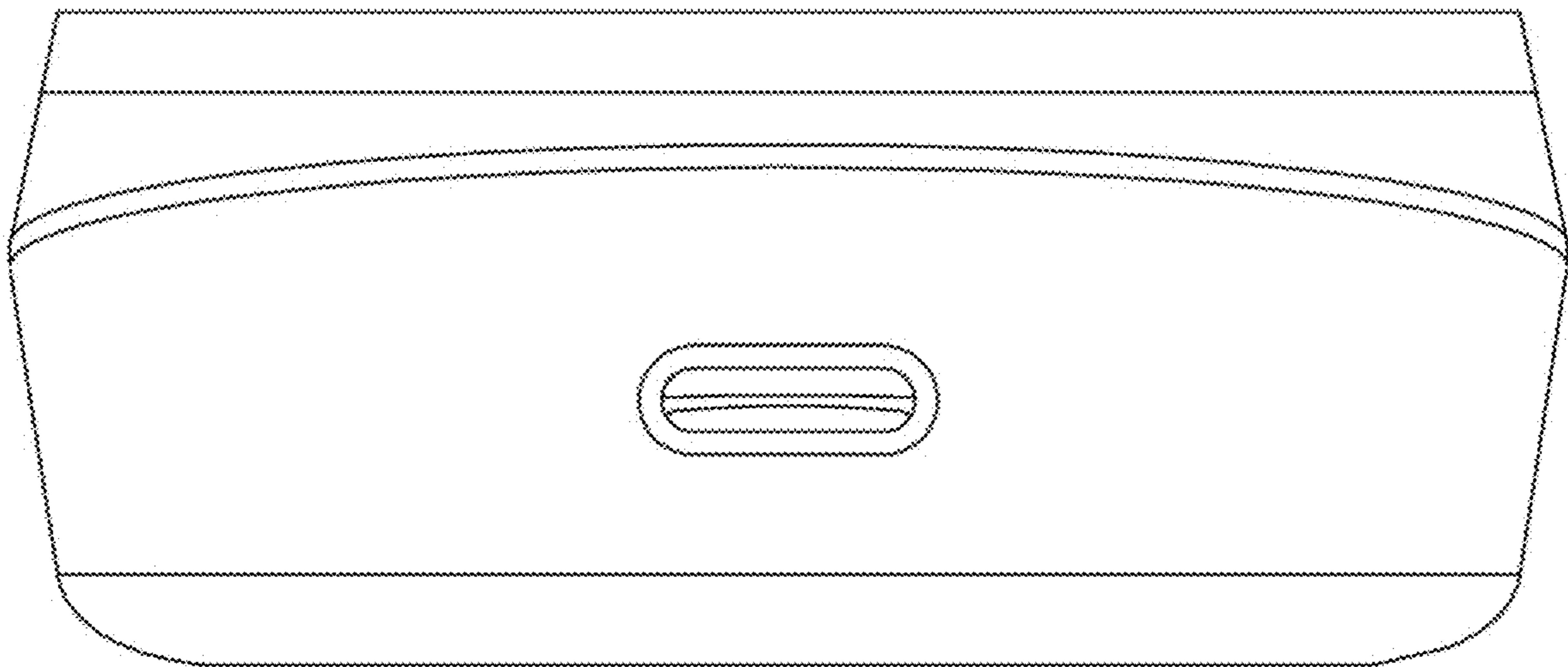
1.1



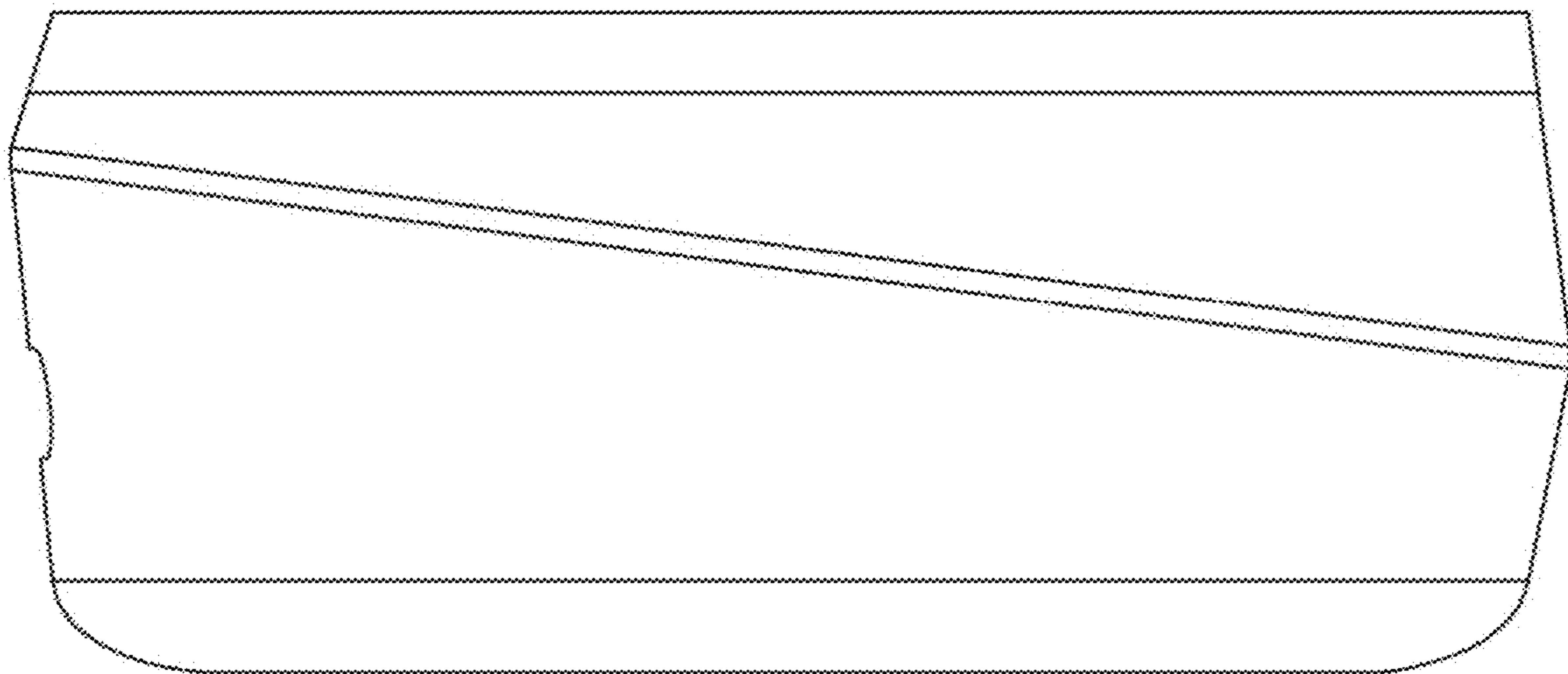
1.2



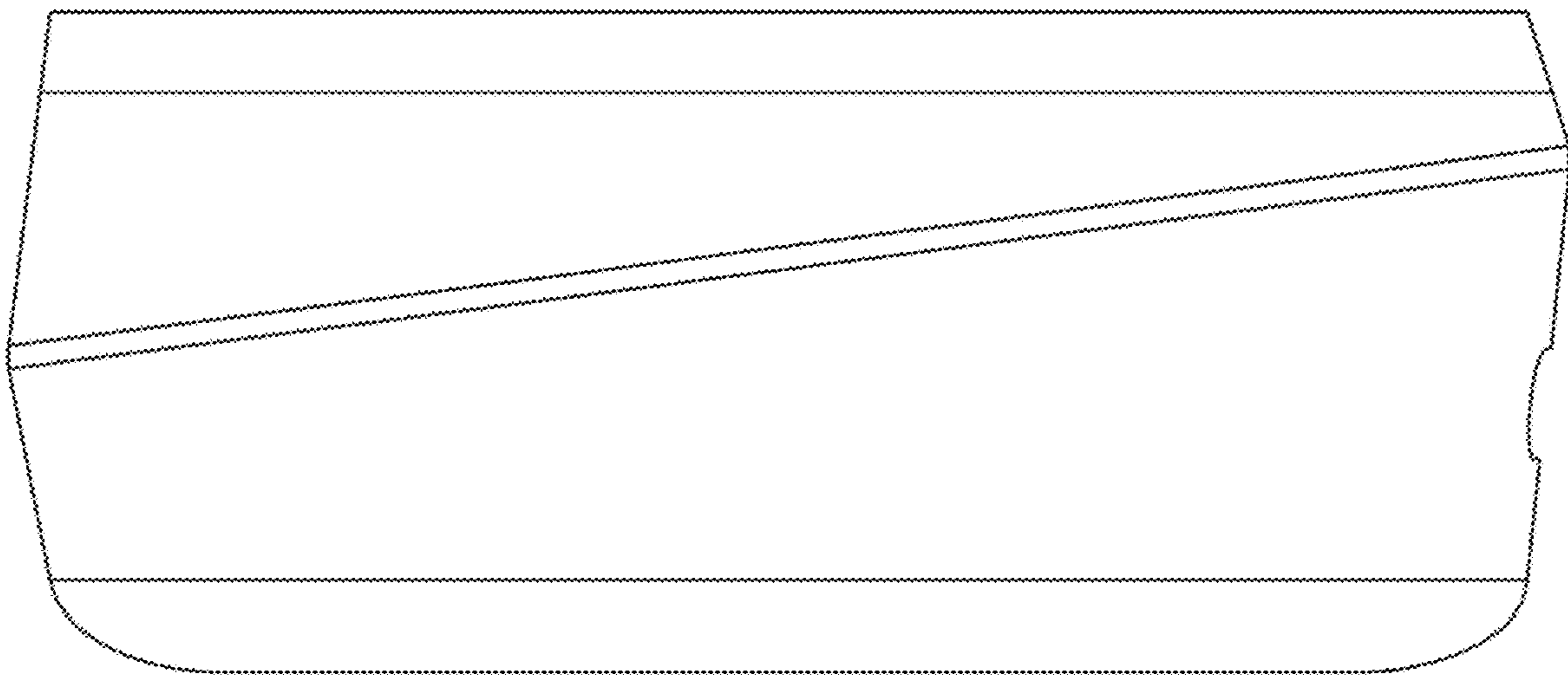
1.3



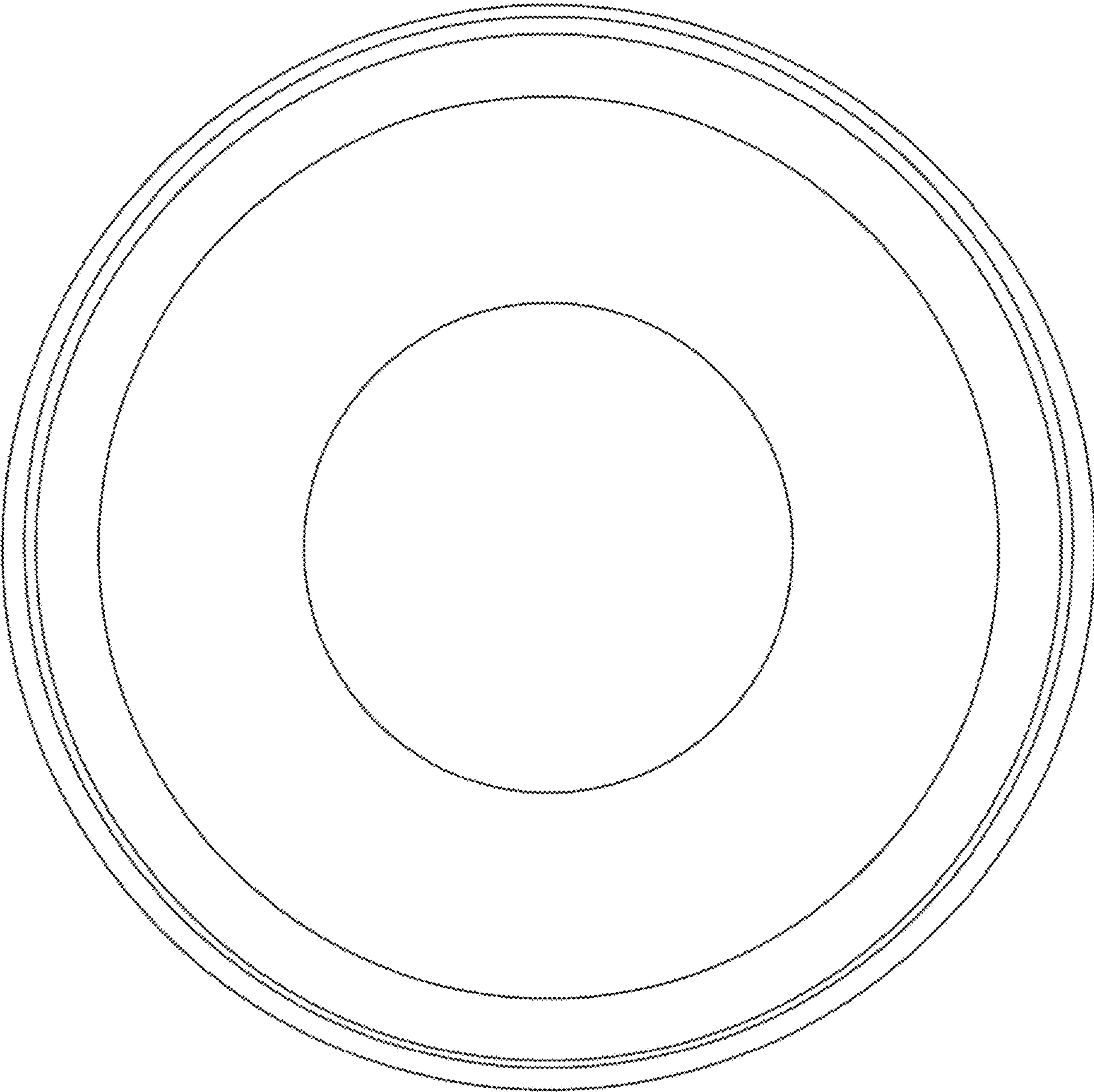
1.4



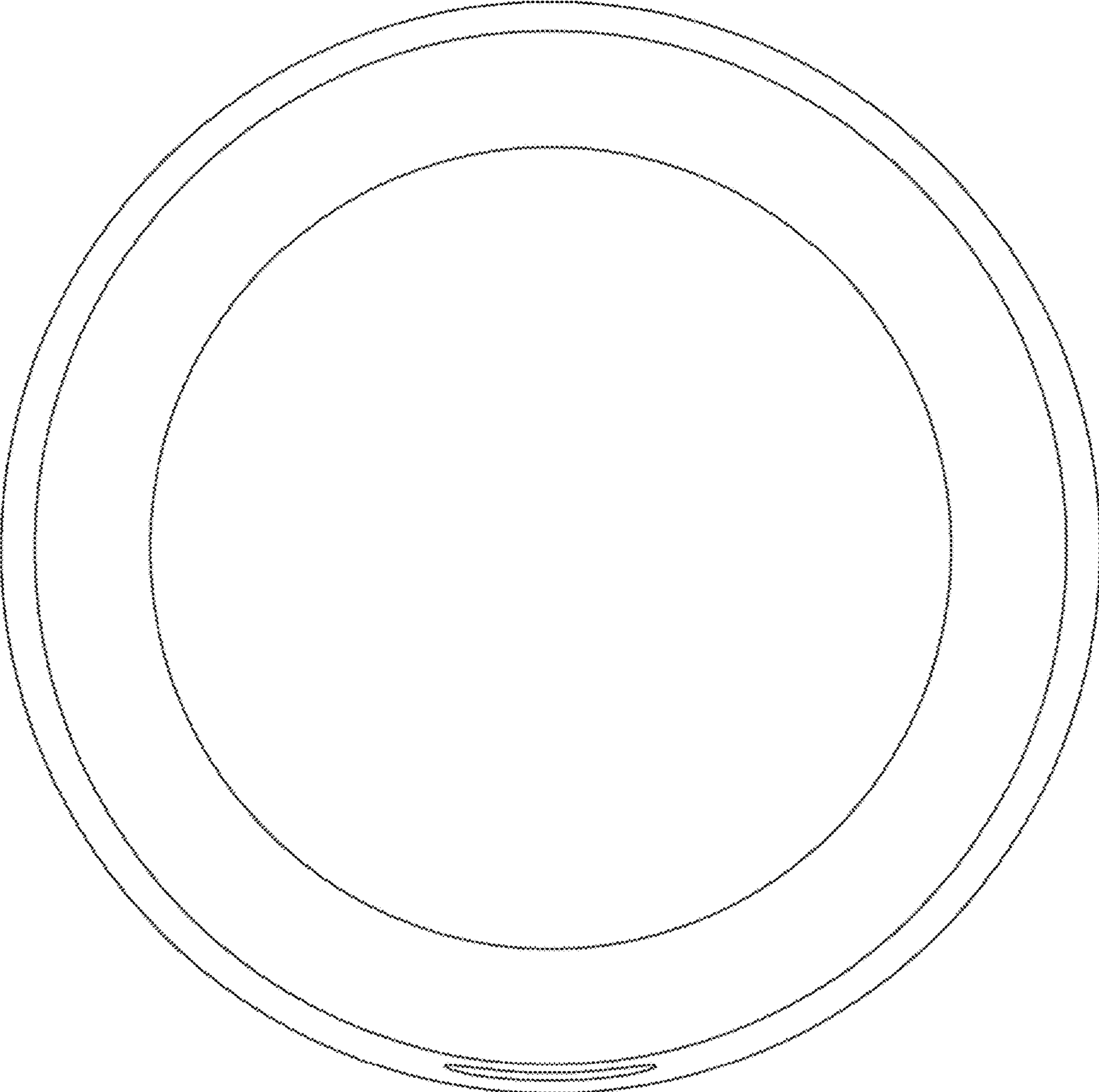
1.5



1.6



1.7



1.8

