

US00D879291S

(12) **United States Design Patent** (10) **Patent No.:** **US D879,291 S**  
**Elazar et al.** (45) **Date of Patent:** **\*\* \*Mar. 24, 2020**

(54) **DENTAL INSTRUMENT WITH LIGHT DISPLAY**

D329,899 S \* 9/1992 Rihani ..... D24/139  
5,328,370 A \* 7/1994 Chen ..... A61C 3/00  
403/348  
D382,641 S \* 8/1997 Gore ..... D24/152

(71) Applicant: **DENTAL SMARTMIRROR, INC.**,  
Chicago, IL (US)

(Continued)

(72) Inventors: **Gidon Oded Elazar**, Cohav Yair (IL);  
**Dan Zidkiahu Harkabi**, Moshav  
Lachish (IL); **Eitan Sharif**, Kibbutz  
Gesher Haziv (IL)

OTHER PUBLICATIONS

Osung, Osung D-MFCS-04H Front Surface Dental Mirror with  
Handle #4, Cone Socket, Amazon.com, Mar. 28, 2015, Available at  
<<https://www.amazon.com/Osung-D-MFCS-04H-Surface-Dental-Mirror/dp/B004SH8T4A>>.

(73) Assignee: **Dental SmartMirror, Inc.**, Chicago, IL  
(US)

*Primary Examiner* — Wan Laymon

(\*) Notice: This patent is subject to a terminal dis-  
claimer.

(74) *Attorney, Agent, or Firm* — Sterne, Kessler,  
Goldstein & Fox P.L.L.C.

(\*\*) Term: **15 Years**

(57) **CLAIM**

(21) Appl. No.: **29/648,562**

The ornamental design for a dental instrument with light  
display, as shown and described.

(22) Filed: **May 22, 2018**

(51) **LOC (12) Cl.** ..... **24-02**

**DESCRIPTION**

(52) **U.S. Cl.**  
USPC ..... **D24/139**; D24/152

(58) **Field of Classification Search**  
USPC ..... D24/152, 176, 139  
CPC ..... A61B 1/247; A61B 1/253; A61B 1/00009;  
A61B 1/00195; A61B 1/05; A61B 1/06;  
A61B 1/24; A61B 5/0088; A61C 3/00;  
H04N 5/2256

FIG. 1 is a perspective view of a dental instrument with light  
display showing the claimed design;  
FIG. 2 is a front perspective view thereof;  
FIG. 3 is a rear perspective view thereof;  
FIG. 4 is a left side view thereof;  
FIG. 5 is a right side view thereof;  
FIG. 6 is a top perspective view thereof;  
FIG. 7 is a bottom perspective view thereof; and,  
FIG. 8 is an enlarged front view of the portion shown in  
dot-dot-dash lines in FIG. 2.

See application file for complete search history.

The broken lines in the figures show portions of the dental  
instrument with light display that form no part of the claimed  
design.

(56) **References Cited**

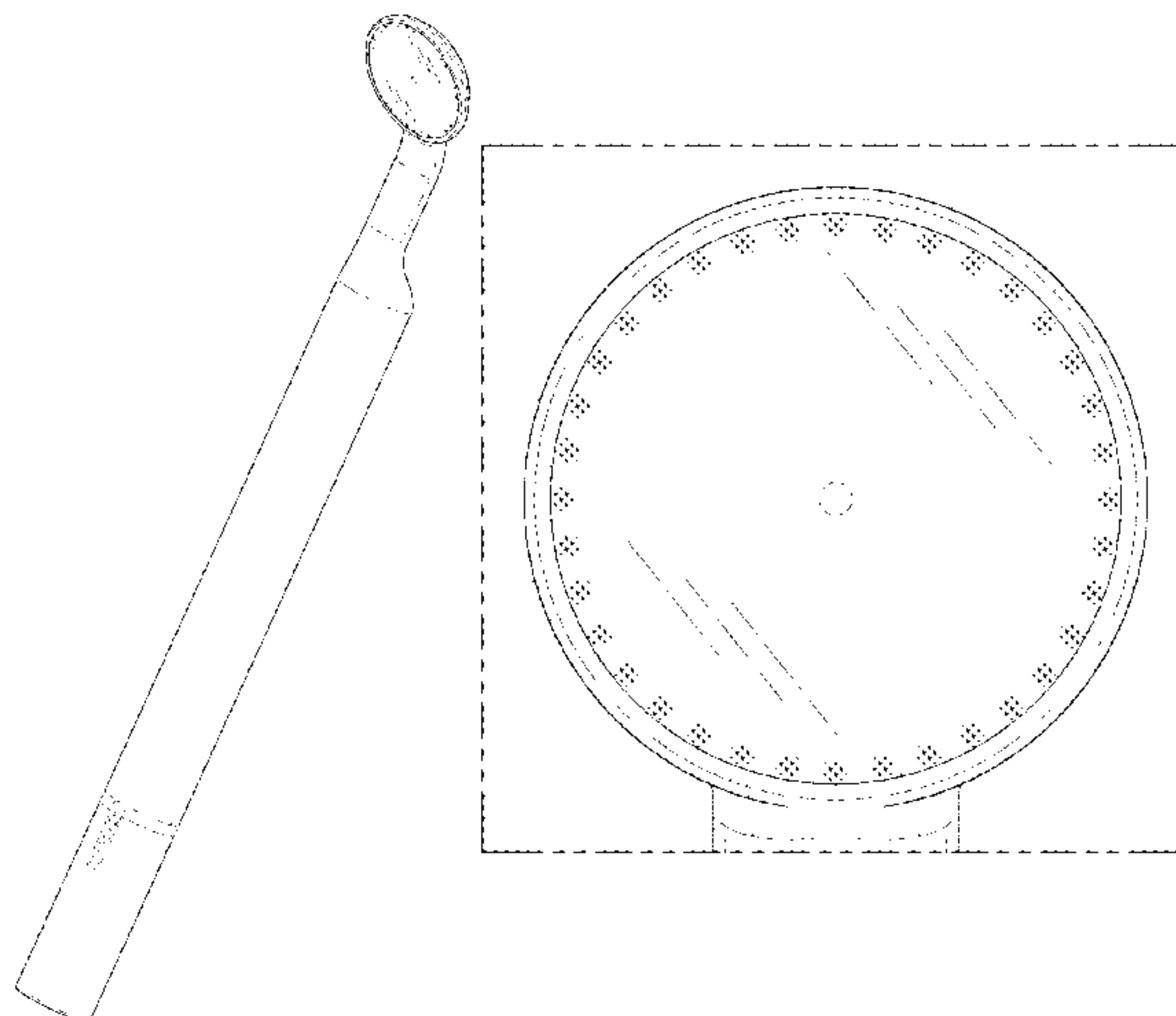
U.S. PATENT DOCUMENTS

2,627,206 A \* 2/1953 Clark ..... A61B 1/247  
359/882  
3,376,644 A \* 4/1968 Clark ..... A61B 1/247  
16/DIG. 12  
D231,463 S \* 4/1974 Rudnick ..... D24/139  
5,052,925 A \* 10/1991 Stalcup ..... A61B 1/247  
433/30

The dot-dot-dash broken lines in FIG. 2 indicate from where  
the enlarged view in FIG. 8 is taken and form no part of the  
claimed design.

FIGS. 1-8 are shaded to show an illuminated appearance.  
The gray shaded areas of FIGS. 1-8 represent areas emitting

(Continued)



or illuminated by light, and the white areas that form part of the claimed design in FIGS. 1-8 represent areas not emitting light.

**1 Claim, 6 Drawing Sheets**

(56)

**References Cited**

U.S. PATENT DOCUMENTS

D437,936	S *	2/2001	Guy	.....	D24/139
D475,784	S *	6/2003	Latone	.....	D24/139
9,636,008	B1	5/2017	Elazar et al.		
2005/0227198	A1 *	10/2005	Martin	.....	A61B 1/247 433/31
2010/0279249	A1 *	11/2010	Lin	.....	A61B 1/247 433/30
2017/0079517	A1 *	3/2017	Ozcan	.....	A61B 1/247
2018/0263483	A1 *	9/2018	Elazar	.....	A61B 1/247

\* cited by examiner

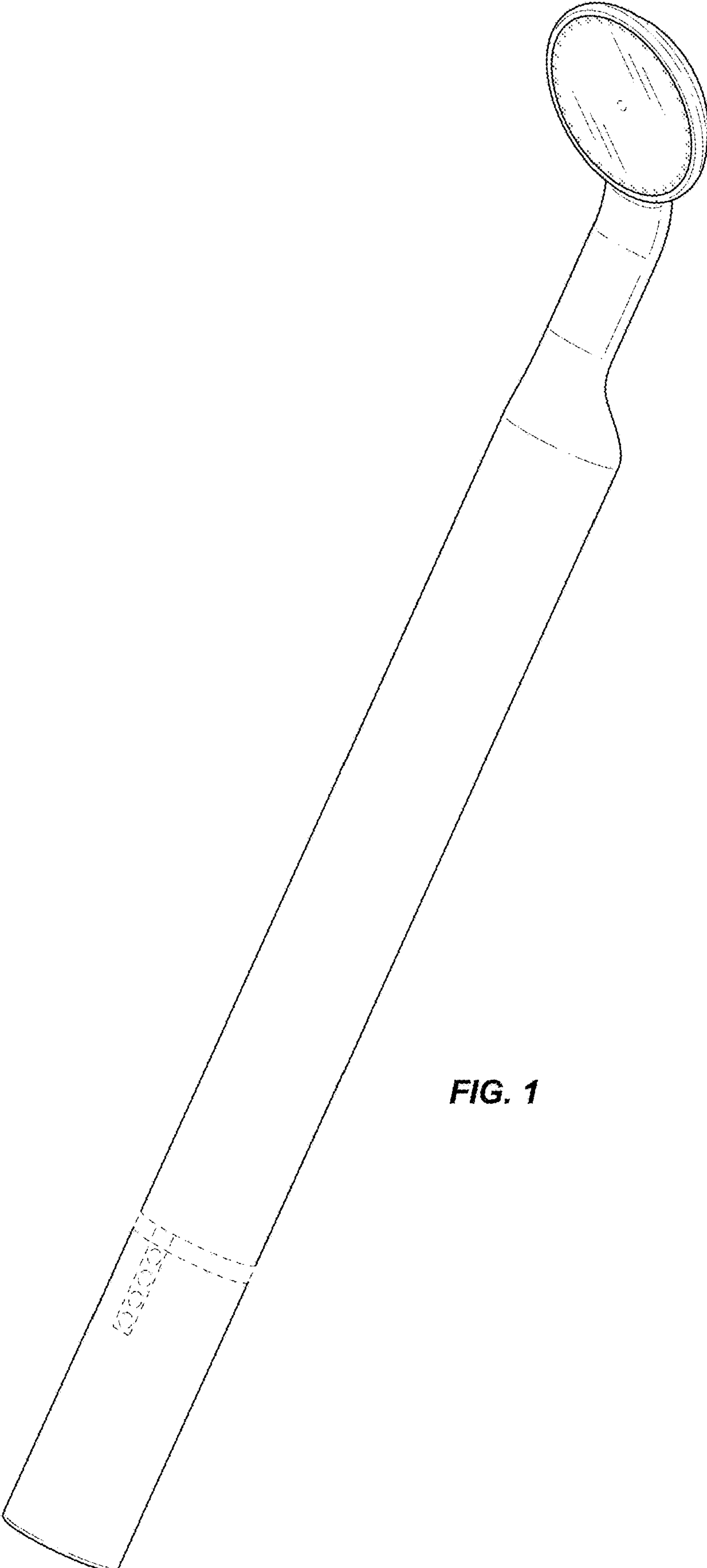
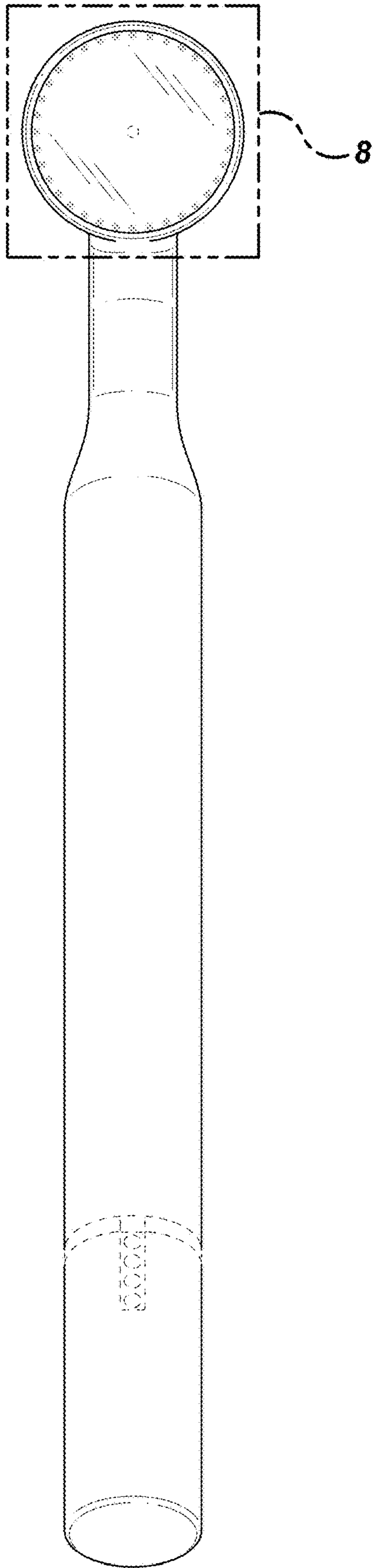
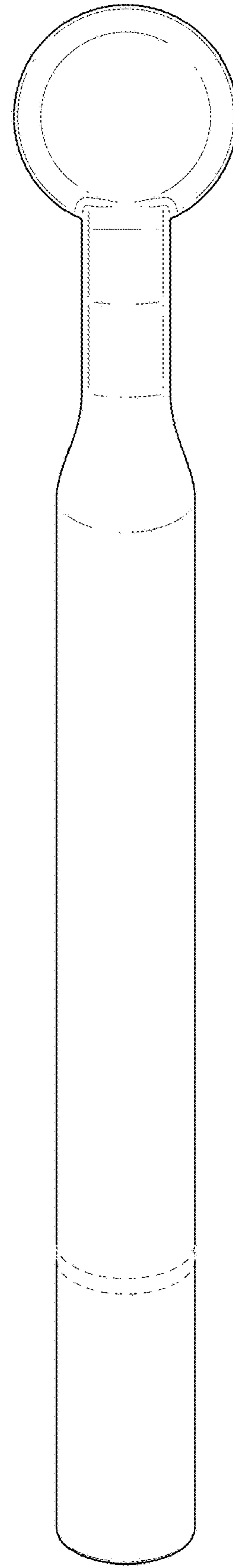


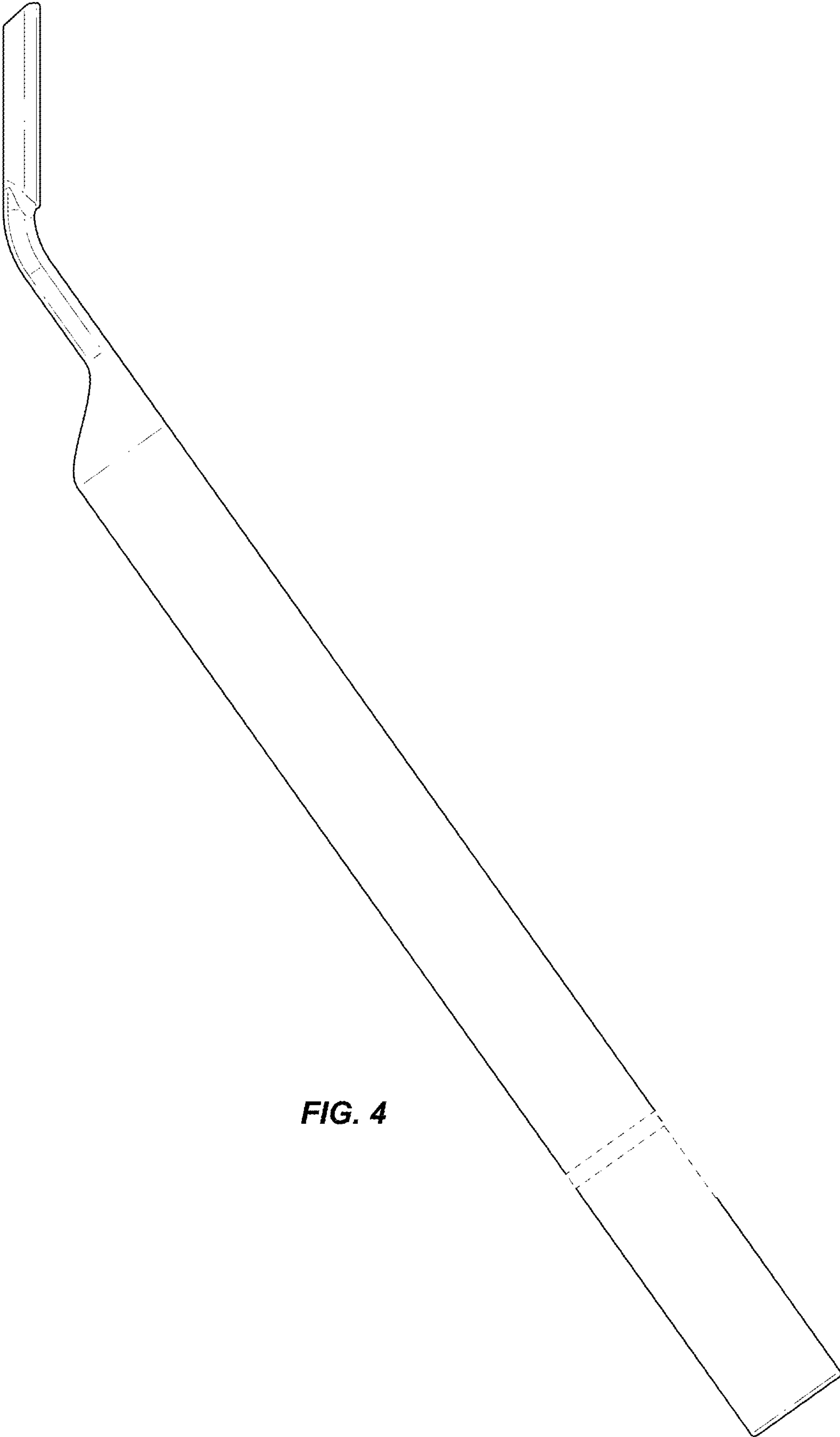
FIG. 1



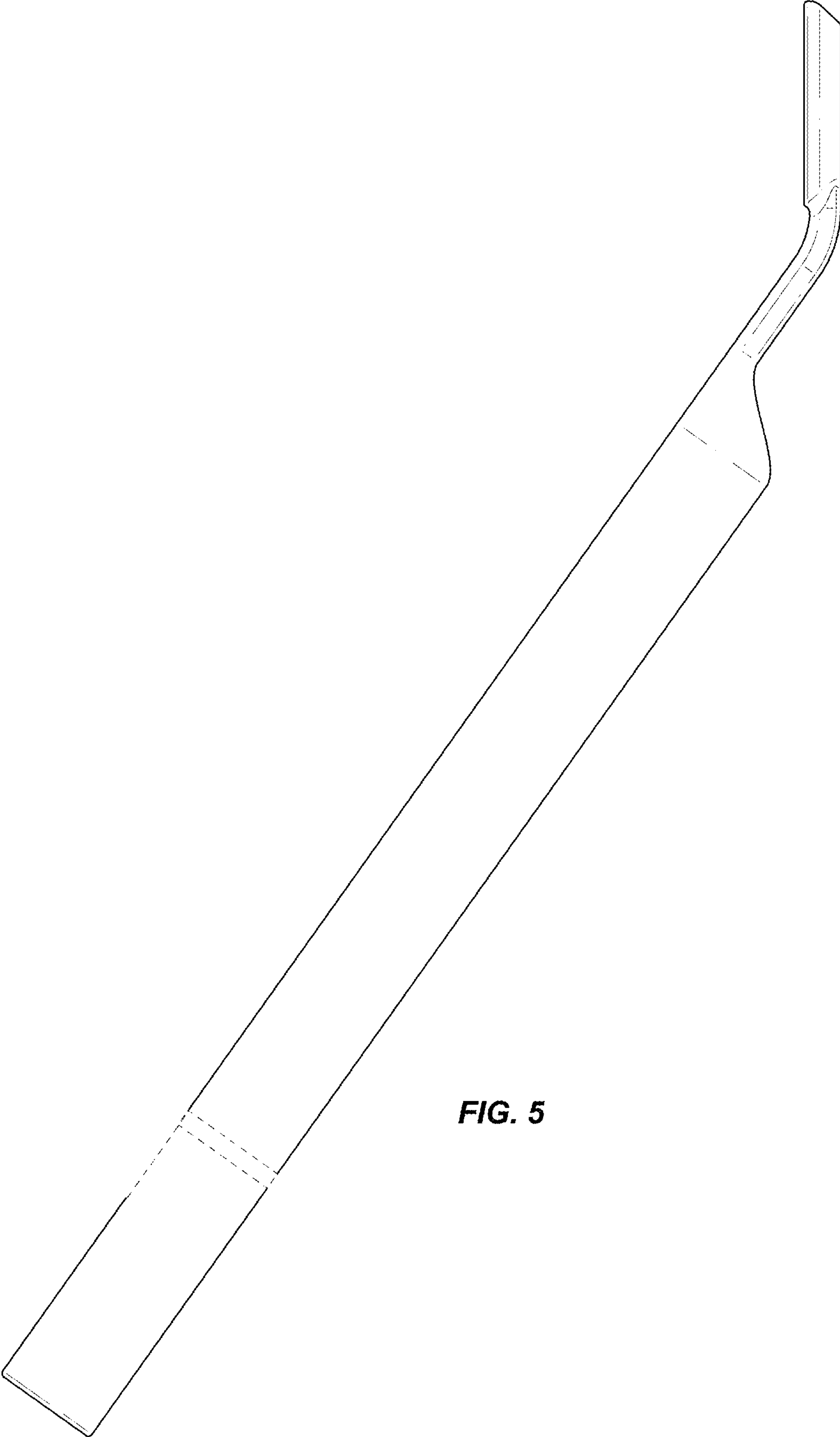
**FIG. 2**



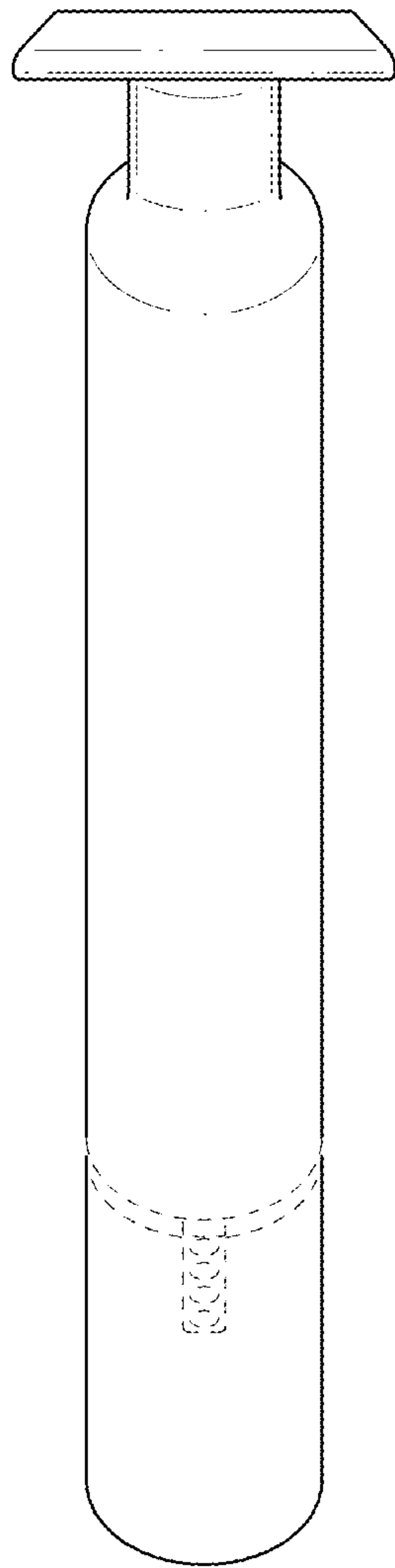
**FIG. 3**



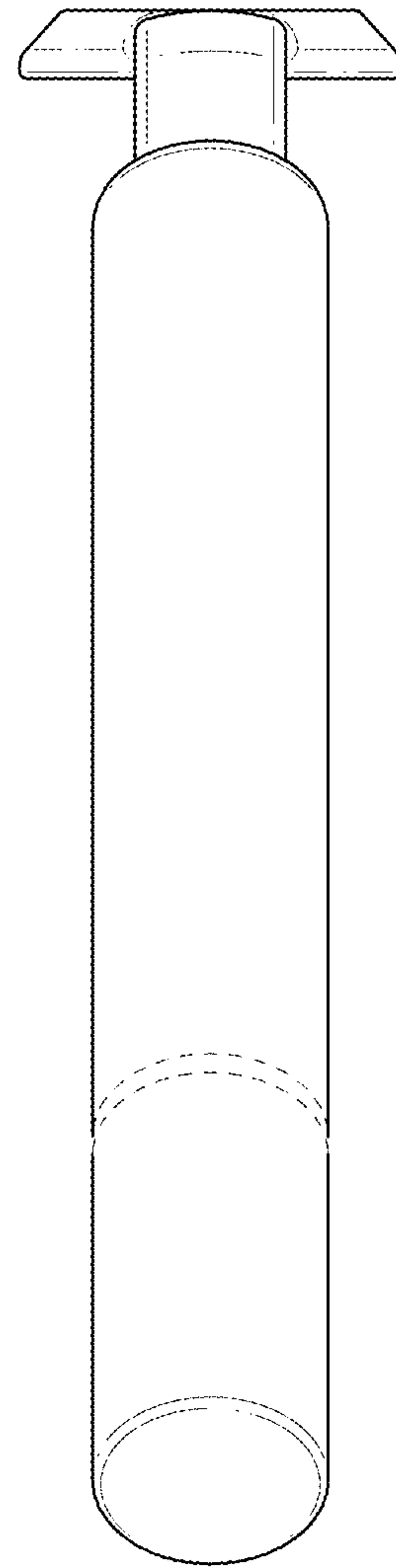
**FIG. 4**



**FIG. 5**



**FIG. 6**



**FIG. 7**



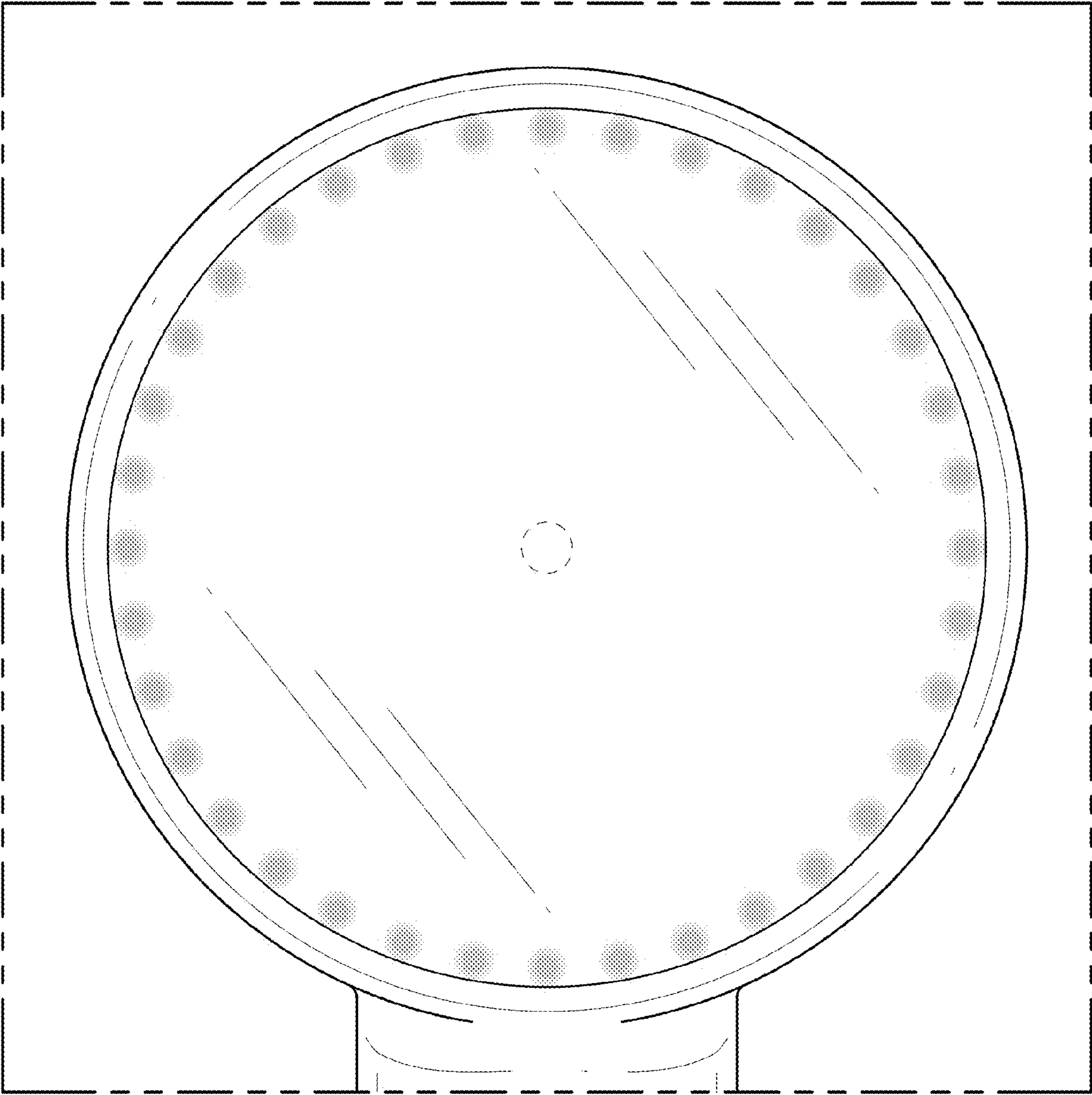


FIG. 8