



US00D879290S

(12) **United States Design Patent** (10) **Patent No.:** **US D879,290 S**
Harman et al. (45) **Date of Patent:** **** Mar. 24, 2020**

(54) **MEDICAL DEVICE**

(56) **References Cited**

(71) Applicant: **VISIONFLEX LLC**, Stoughton, MA (US)

U.S. PATENT DOCUMENTS

(72) Inventors: **Mike Harman**, Warriewood (AU);
Peter Shandley, Warriewood (AU);
Andrew Kleinert, Warriewood (AU);
Robert Tiller, Rozelle (AU); **Adam Hobbs**, Rozelle (AU); **David Feng**,
Hunters Hill (AU); **Sandy McNeil**,
Hunters Hill (AU)

5,662,584	A *	9/1997	Hori	A61B 1/00096
				348/65
D474,276	S *	5/2003	Greise	D16/202
D501,864	S *	2/2005	Greise	D16/202
D523,455	S *	6/2006	Greise	D16/202
D601,606	S *	10/2009	Pradhan	D16/206
7,852,371	B2 *	12/2010	Konstorum	A61B 1/00039
				348/65
D643,534	S *	8/2011	Halleck	D16/202
D651,312	S *	12/2011	Halleck	D16/202
D672,462	S *	12/2012	Campo	D24/138
D709,192	S *	7/2014	Czupalla	D24/138
D716,942	S *	11/2014	Eisenkolb	D24/138
D761,425	S *	7/2016	Kult	D24/138
D768,854	S *	10/2016	Halleck	D24/138
D773,661	S *	12/2016	Funakoshi	D24/138
D785,174	S *	4/2017	Osada	D16/219
D849,574	S *	5/2019	Sanders	D10/78

(73) Assignee: **VISIONFLEX LLC**, Stoughton, MA (US)

(**) Term: **15 Years**

* cited by examiner

(21) Appl. No.: **35/504,739**

Primary Examiner — Holly E Thurman

(22) Filed: **Oct. 13, 2017**

(74) *Attorney, Agent, or Firm* — SoCal IP Law Group
LLP; Michael D. Harris

(80) **Hague Agreement Data**

Int. Filing Date: **Oct. 13, 2017**

Int. Reg. No.: **DM/099913**

Int. Reg. Date: **Oct. 13, 2017**

Int. Reg. Pub. Date: **Apr. 13, 2018**

(57) **CLAIM**

The ornamental design for a medical device, as shown and described.

(51) **LOC (12) Cl.** **24-02**

(52) **U.S. Cl.**
USPC **D24/138; D24/133**

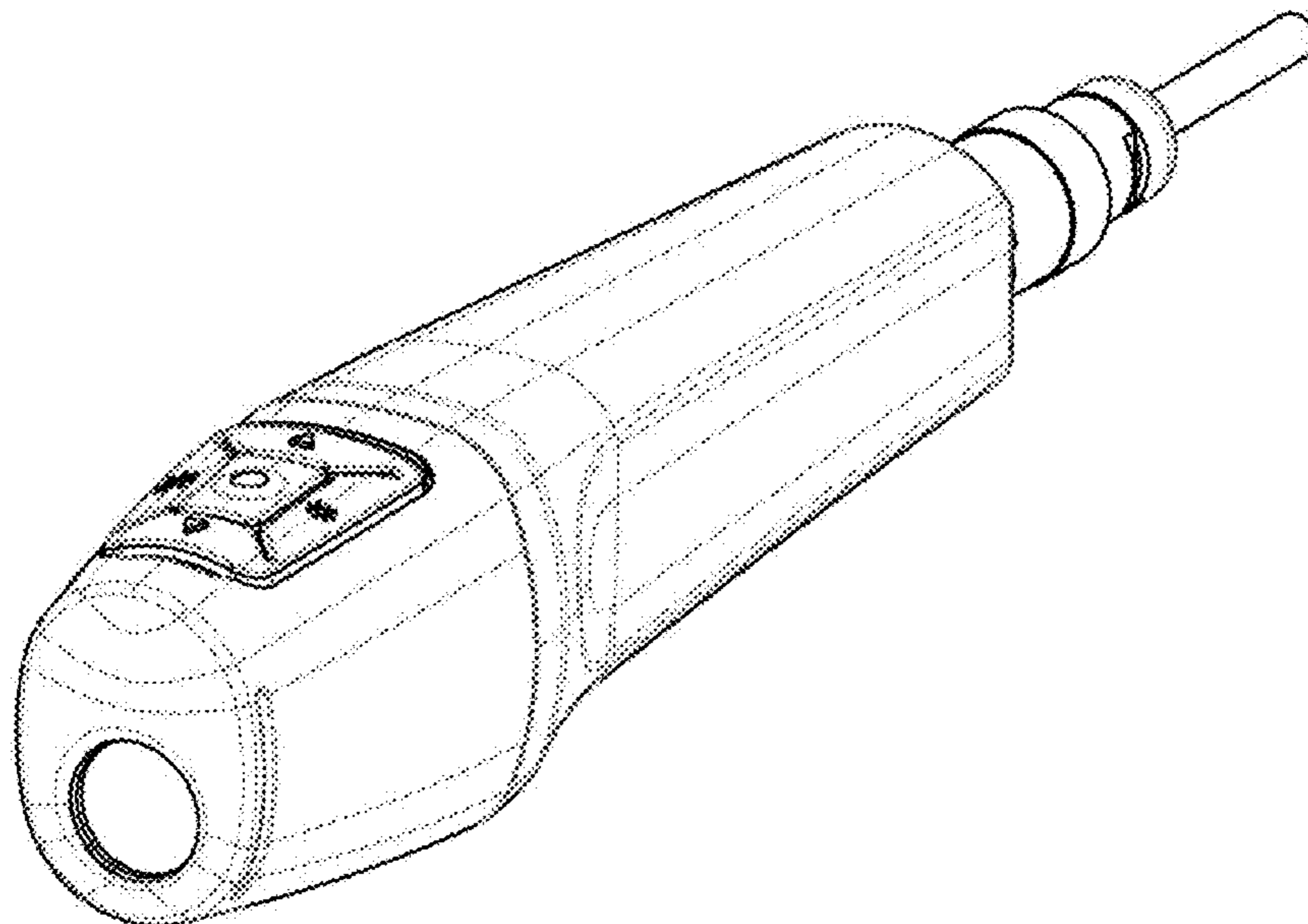
(58) **Field of Classification Search**
USPC D24/107, 108, 111, 133, 137, 138, 141,
D24/222, 113, 127, 143, 148, 179, 216,
D24/152–154, 176; D16/200, 202–206
CPC A61G 10/04; A61G 10/05; A61G 10/026;
G03B 15/03

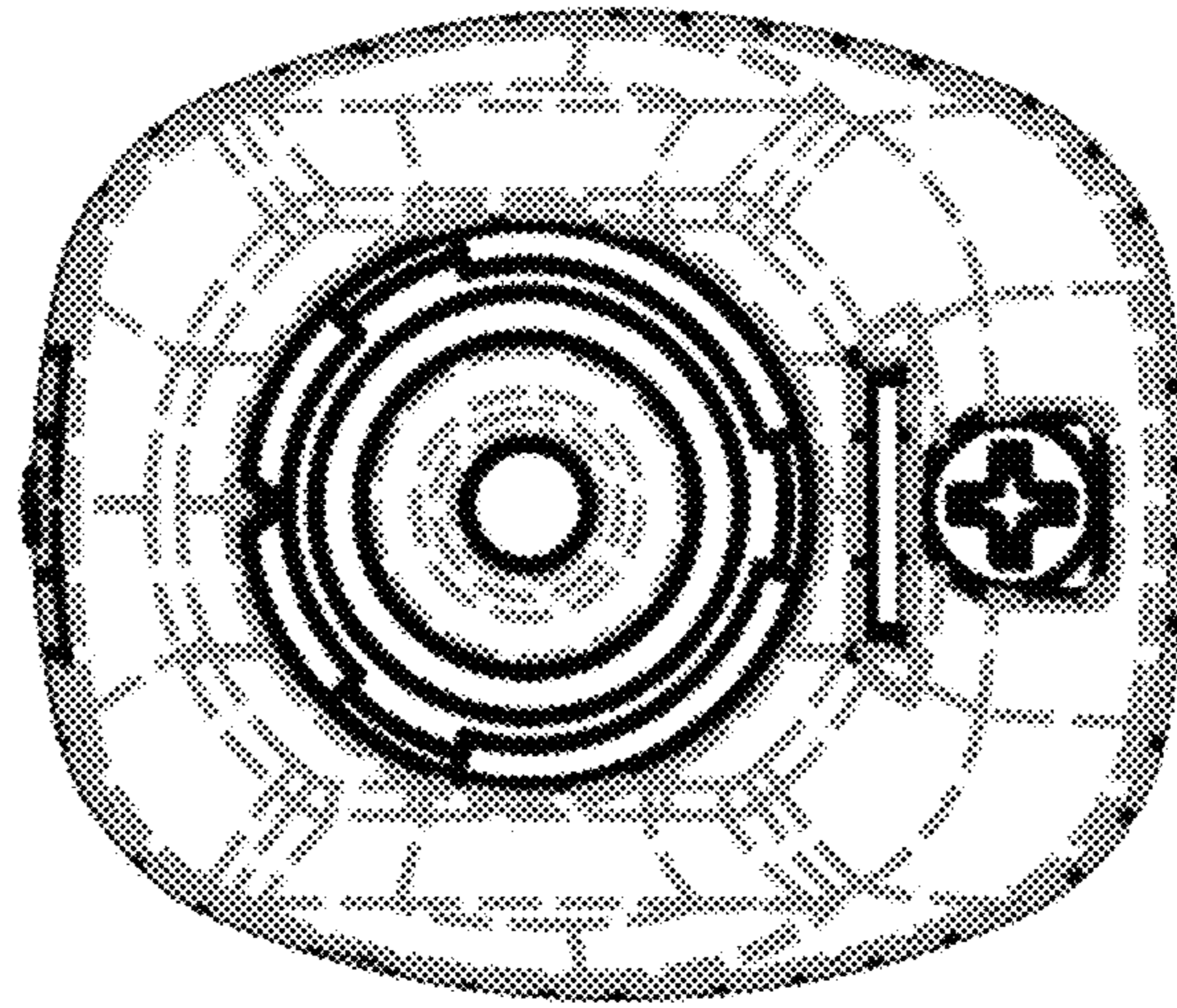
DESCRIPTION

1.1 is a front view of a medical device;
1.2 is a back view thereof;
1.3 is a right-side view thereof;
1.4 is a top view thereof;
1.5 is a perspective view thereof;
1.6 is a left-side view thereof; and,
1.7 is a bottom view thereof.
The portions of the medical device shown in broken lines form no part of the claimed design.

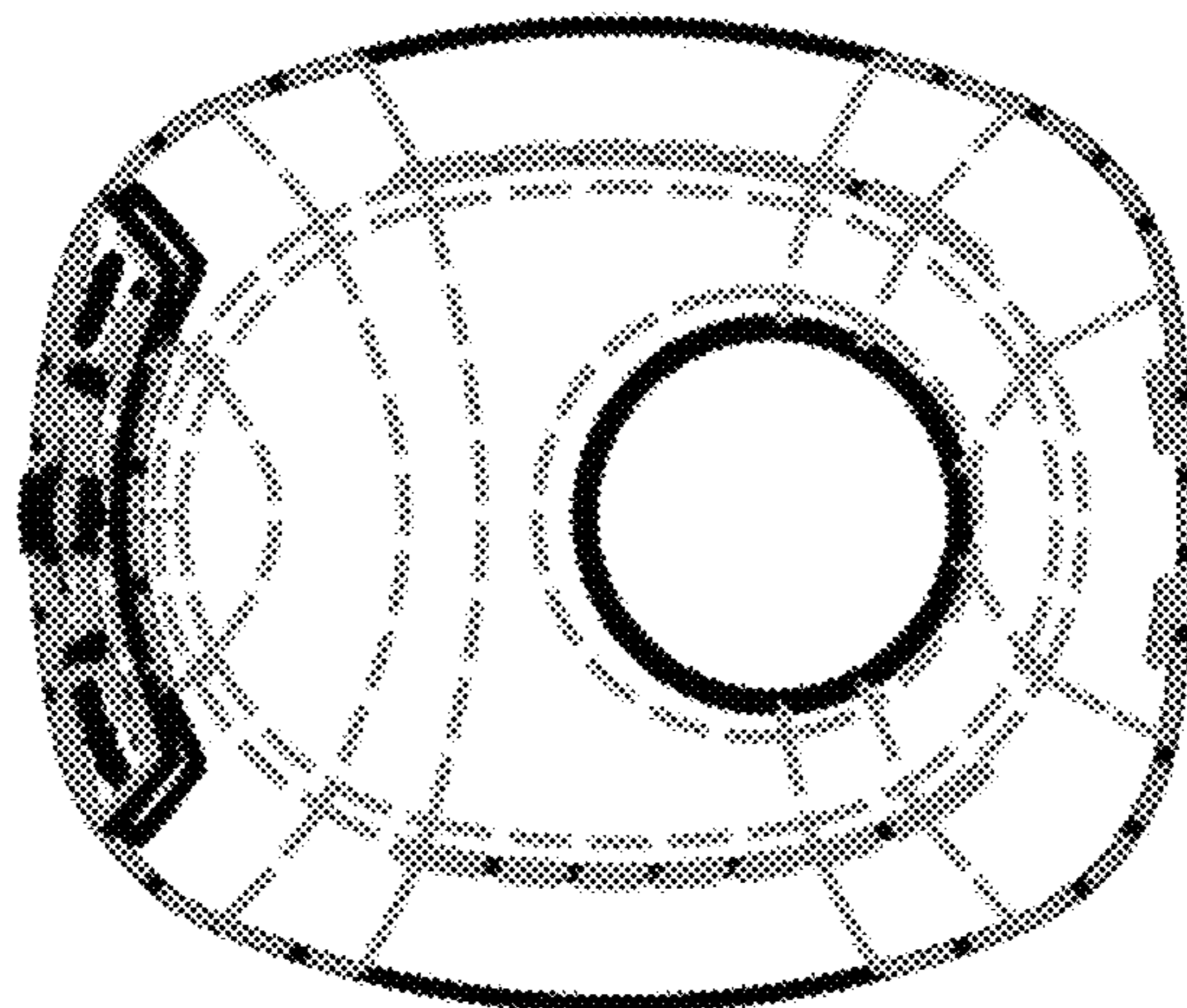
See application file for complete search history.

1 Claim, 4 Drawing Sheets

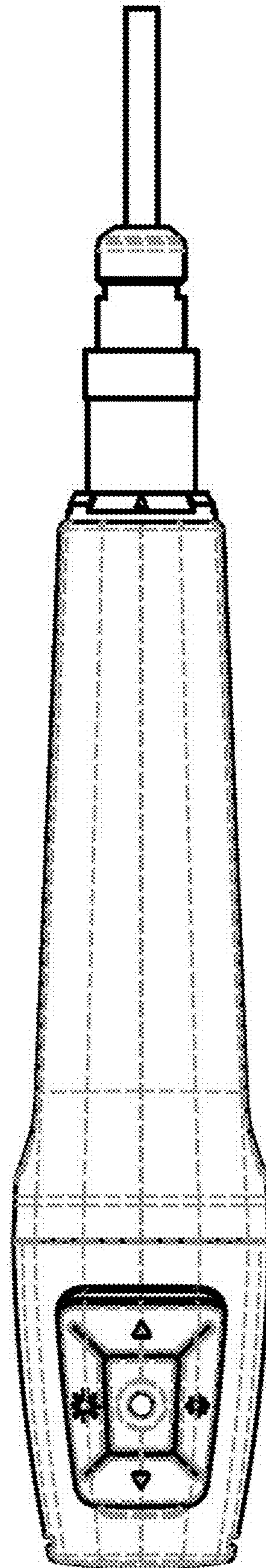
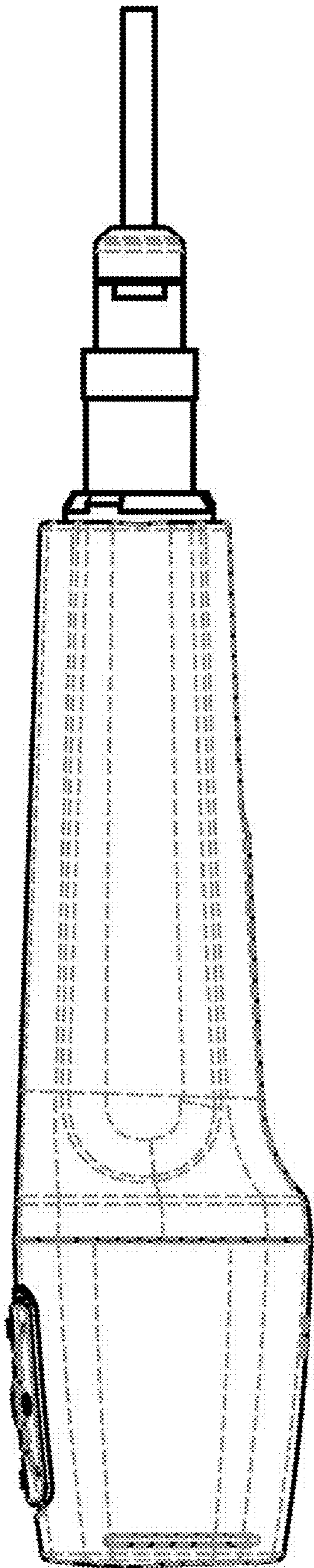


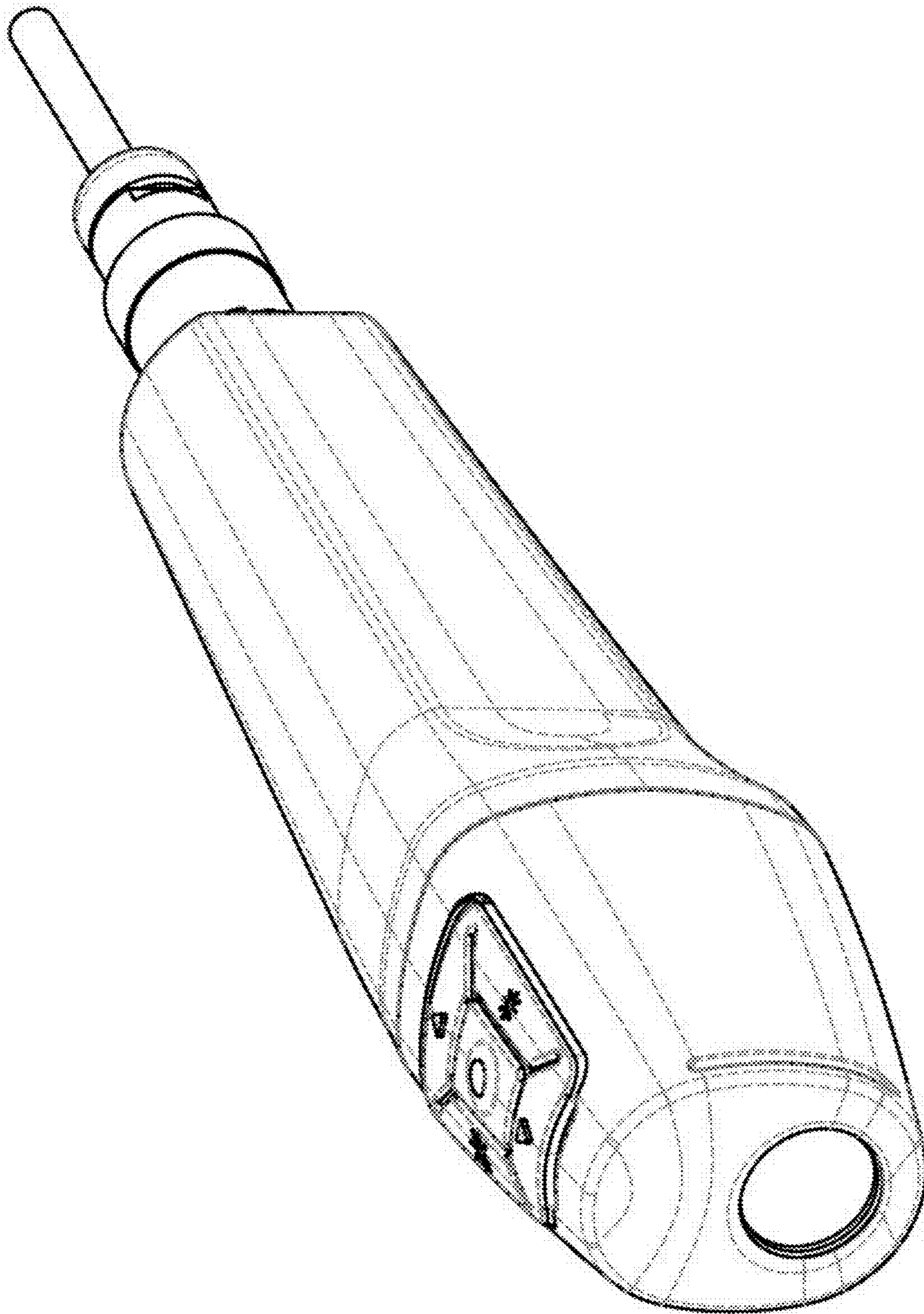


1.2

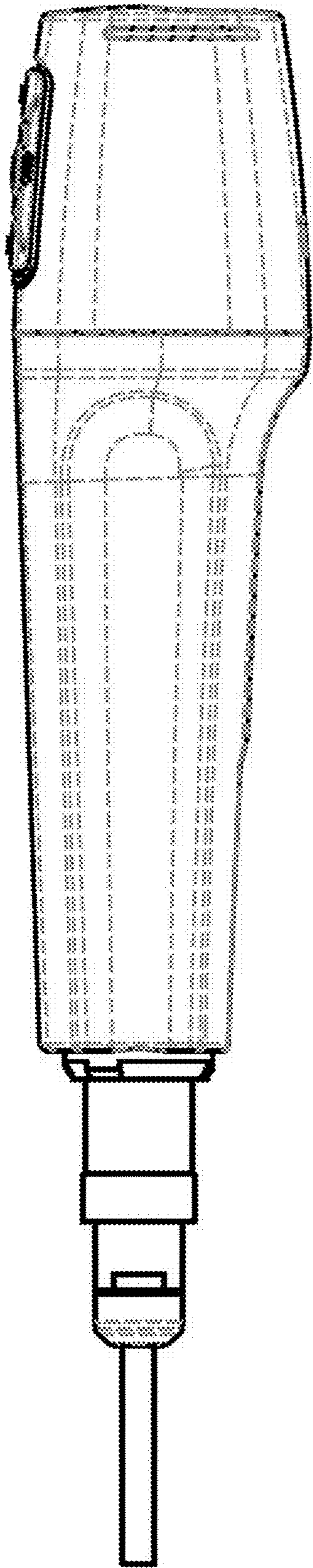


1.1

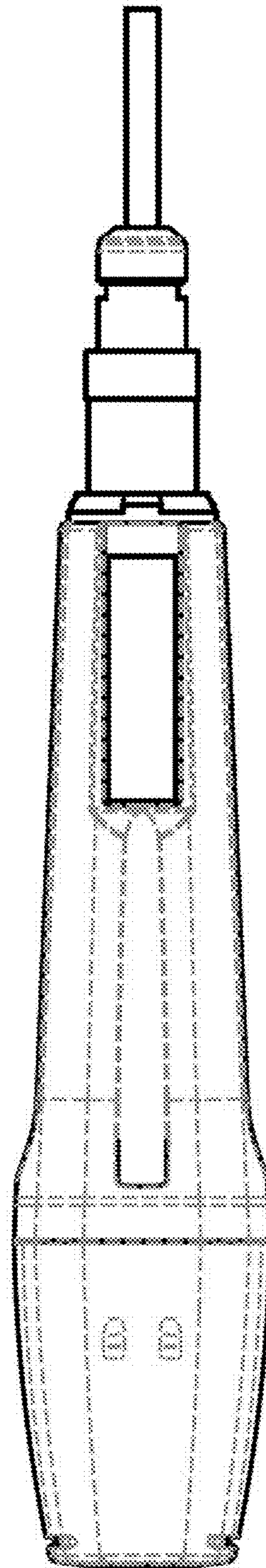




1.5



1.6



1.7