



US00D879289S

(12) **United States Design Patent**
Fineout et al.

(10) **Patent No.:** **US D879,289 S**
(45) **Date of Patent:** **** Mar. 24, 2020**

(54) **TUBING CONNECTOR FOR A HANDHELD SURGICAL INSTRUMENT**

FOREIGN PATENT DOCUMENTS

WO 2018051196 A1 3/2018

(71) Applicant: **Stryker Corporation**, Kalamazoo, MI (US)

OTHER PUBLICATIONS

(72) Inventors: **Benjamin Fineout**, Kalamazoo, MI (US); **Hidefumi Ota**, Yokohama (JP); **Jason Wroblewski**, Portage, MI (US)

Reality RX Communication, "CUSA Clarity System Setup Video", <https://www.youtube.com/watch?v=M5aCRYmCQYA>, Mar. 3, 2017, 2 pages.

(73) Assignee: **Stryker Corporation**, Kalamazoo, MI (US)

Primary Examiner — Wan Laymon
Assistant Examiner — Mark Booker

(**) Term: **15 Years**

(74) *Attorney, Agent, or Firm* — Howard & Howard Attorneys PLLC

(21) Appl. No.: **29/664,218**

(22) Filed: **Sep. 24, 2018**

(57) **CLAIM**

(51) **LOC (12) Cl.** **24-02**

The ornamental design for a tubing connector for a handheld surgical instrument, as shown and described.

(52) **U.S. Cl.**

USPC **D24/129**

(58) **Field of Classification Search**

USPC D24/133, 127-131, 112-114, 186; 128/200.24, 207.14, 207.15; 600/101, 600/139, 143; 604/264, 523-528, 272, 604/187, 158, 164.01-164.11, 181, 184, 604/227; 606/181, 185

CPC .. A61M 25/065; A61M 5/42; A61M 25/0612; A61M 25/00; A61M 39/00; A61M 27/00; A61M 25/0043; A61M 25/0067; A61M 25/0097; A61F 2/958

See application file for complete search history.

DESCRIPTION

FIG. 1 is a top, rear right perspective view of a tubing connector for a handheld surgical instrument; FIG. 2 is a rear end view of the tubing connector; FIG. 3 is a front end view of the tubing connector; FIG. 4 is a top, rear right perspective view thereof; FIG. 5 is a top, rear left perspective view thereof; FIG. 6 is a bottom, rear right perspective view thereof; FIG. 7 is a bottom, rear left perspective view thereof; FIG. 8 is a left side elevational view thereof; FIG. 9 is a right side elevational view thereof; FIG. 10 is a top plan view thereof; FIG. 11 is a bottom plan view thereof; and, FIG. 12 is a top, front right perspective view thereof

In the drawings, the broken lines show unclaimed portions of the tubing connector that form no part of the claimed design. The broken lines between the left and right sides of the design represent unclaimed ornamentation that form no part of the claimed design.

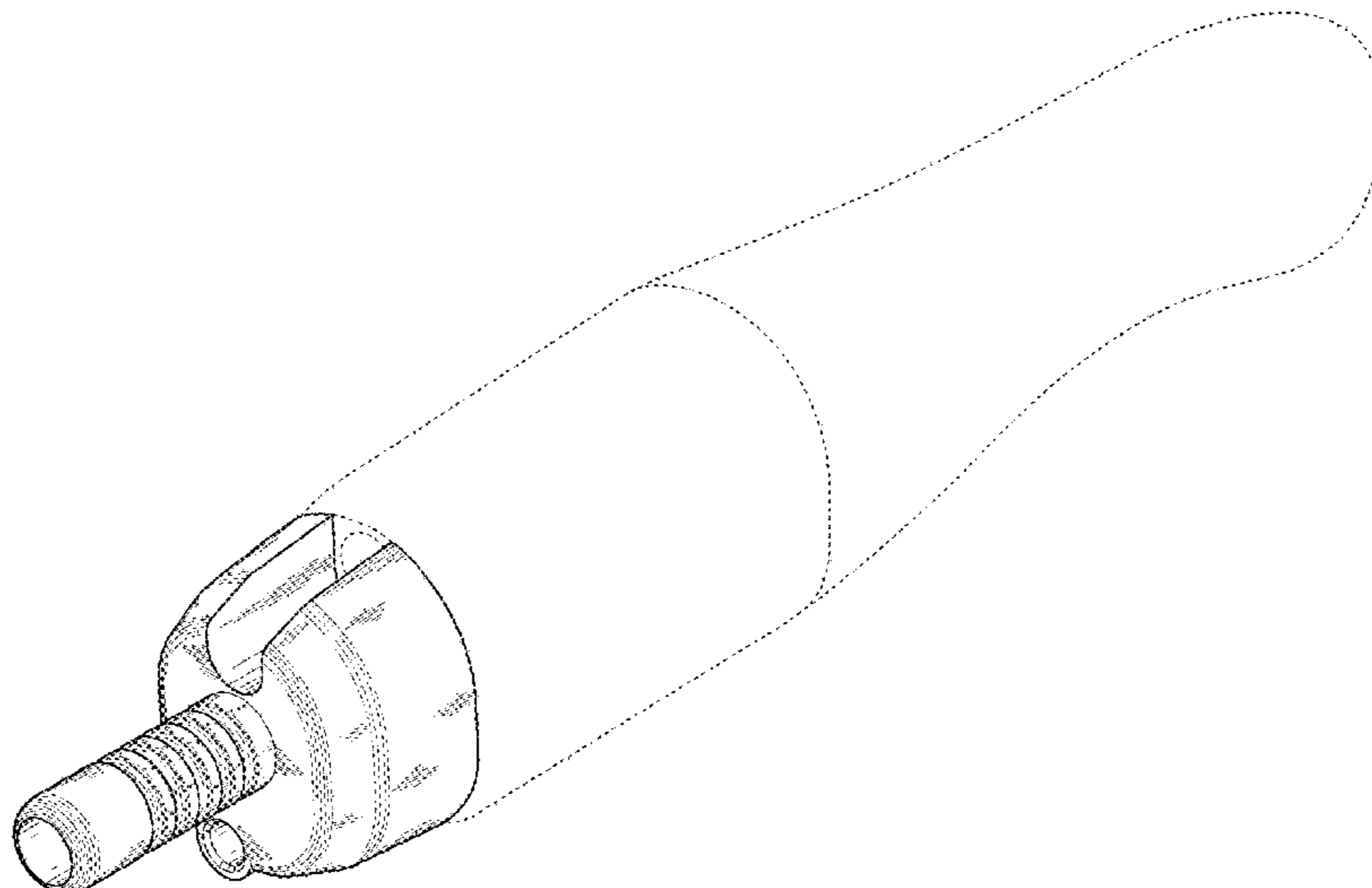
(56) **References Cited**

U.S. PATENT DOCUMENTS

6,214,017	B1	4/2001	Stoddard et al.	
D604,843	S *	11/2009	Braynin	D24/133
D729,741	S *	5/2015	Price	D13/147
D730,297	S *	5/2015	Price	D13/147
D752,740	S *	3/2016	Price	D24/129
2006/0235305	A1	10/2006	Cotter et al.	
2017/0304655	A1	10/2017	Cotter et al.	

(Continued)

1 Claim, 7 Drawing Sheets



(56)

References Cited

U.S. PATENT DOCUMENTS

2017/0333606 A1 11/2017 Manandhar et al.
2018/0132885 A1 5/2018 Cotter et al.

* cited by examiner

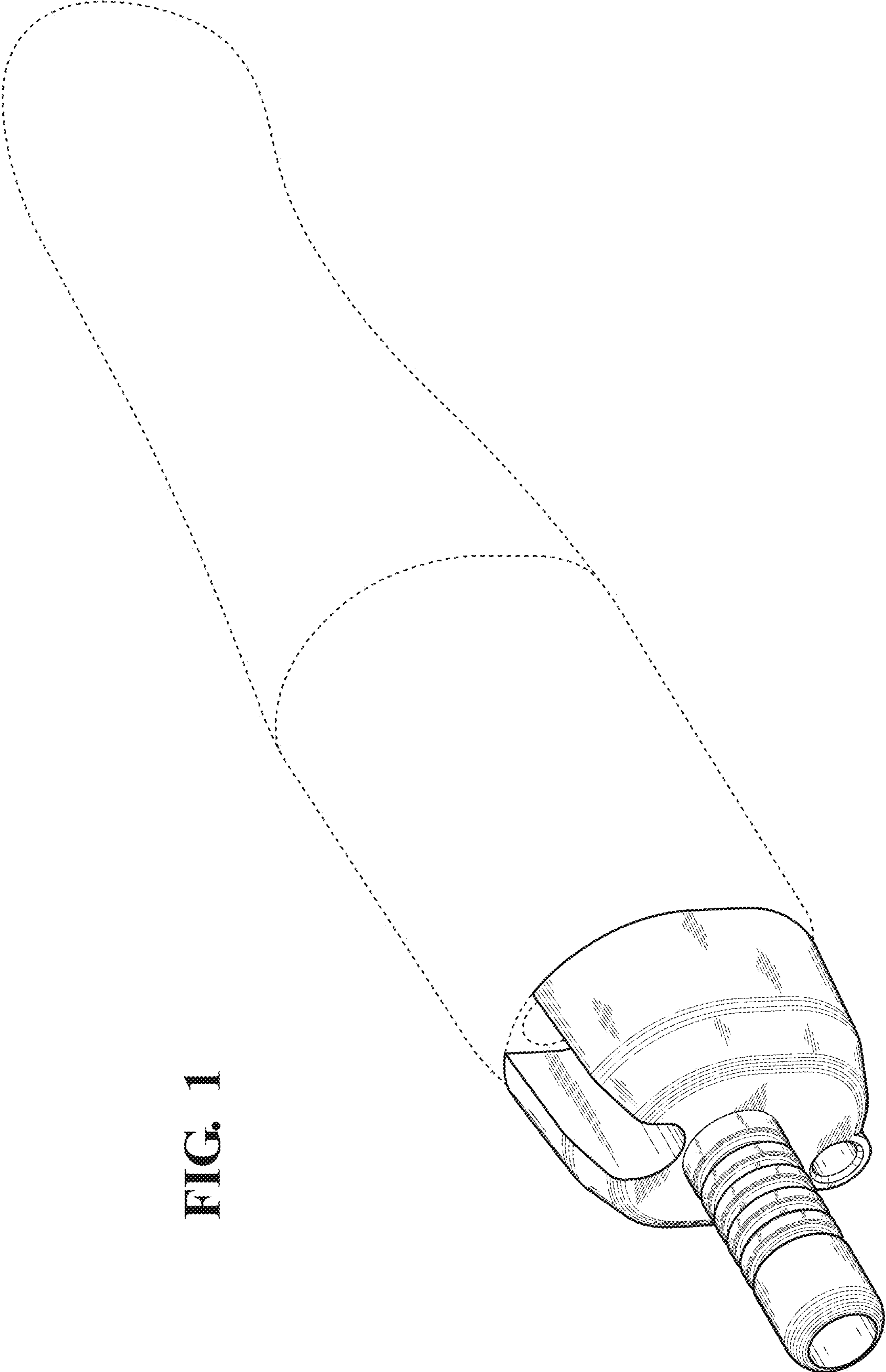


FIG. 1

FIG. 2

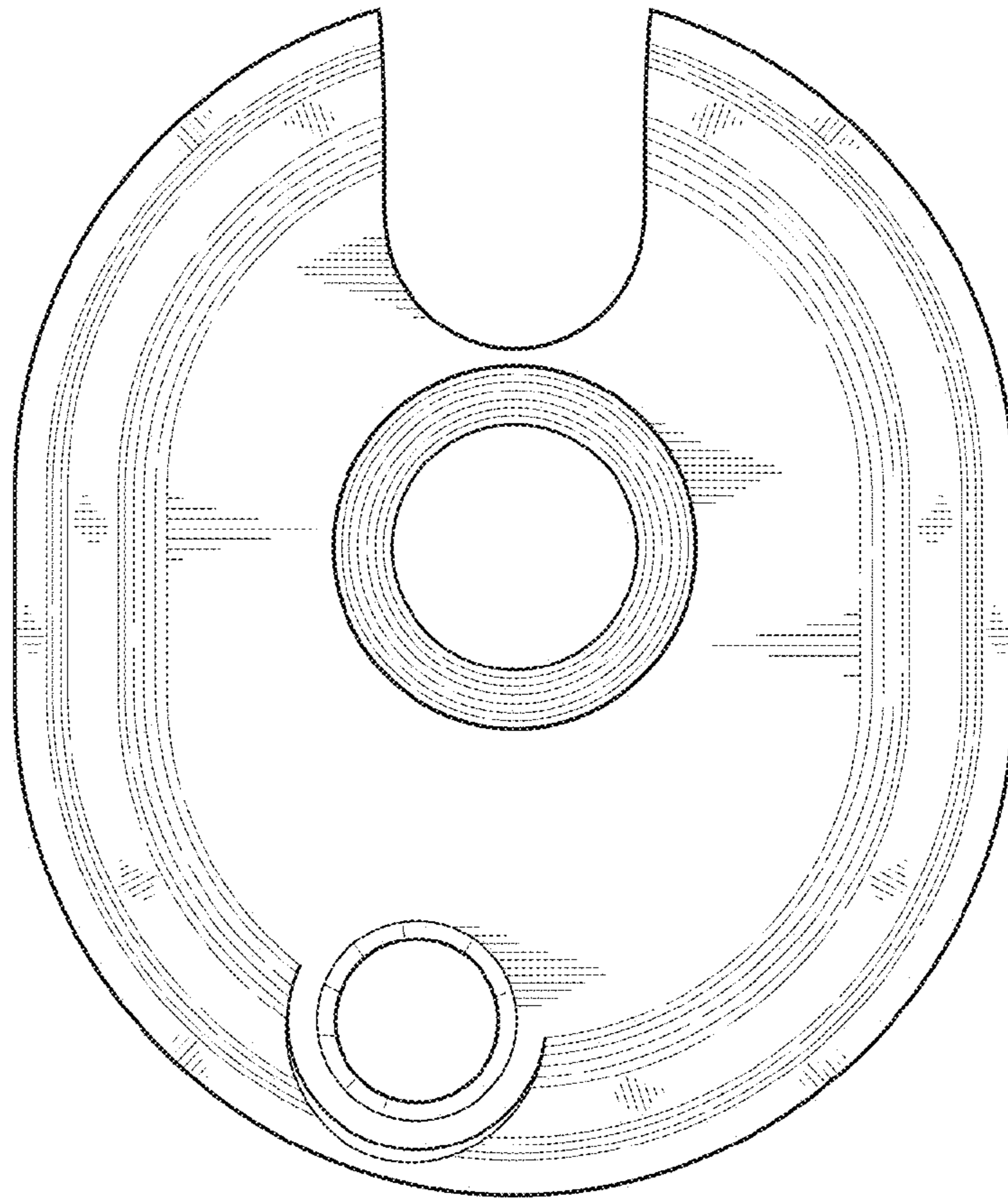


FIG. 3

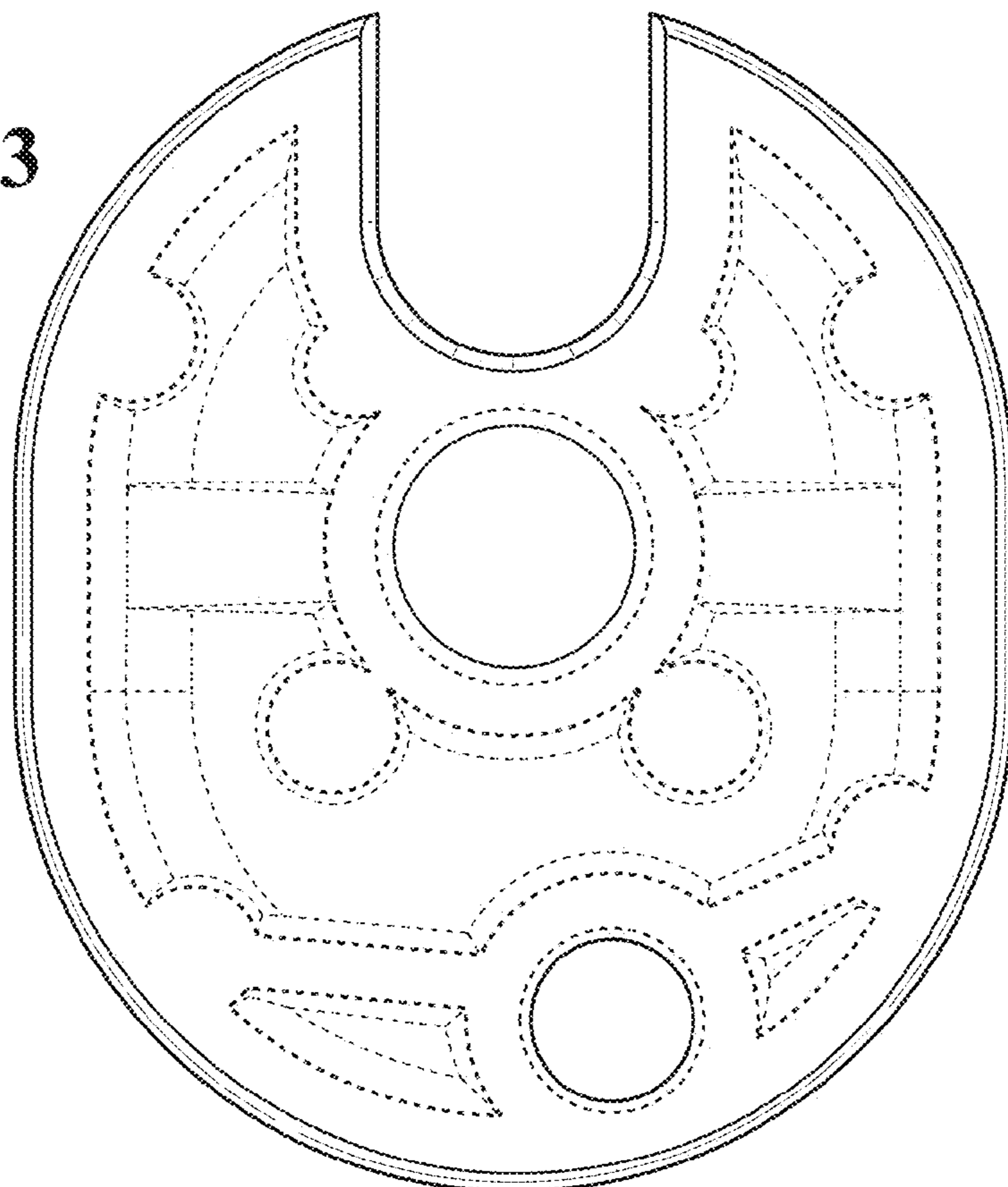


FIG. 4

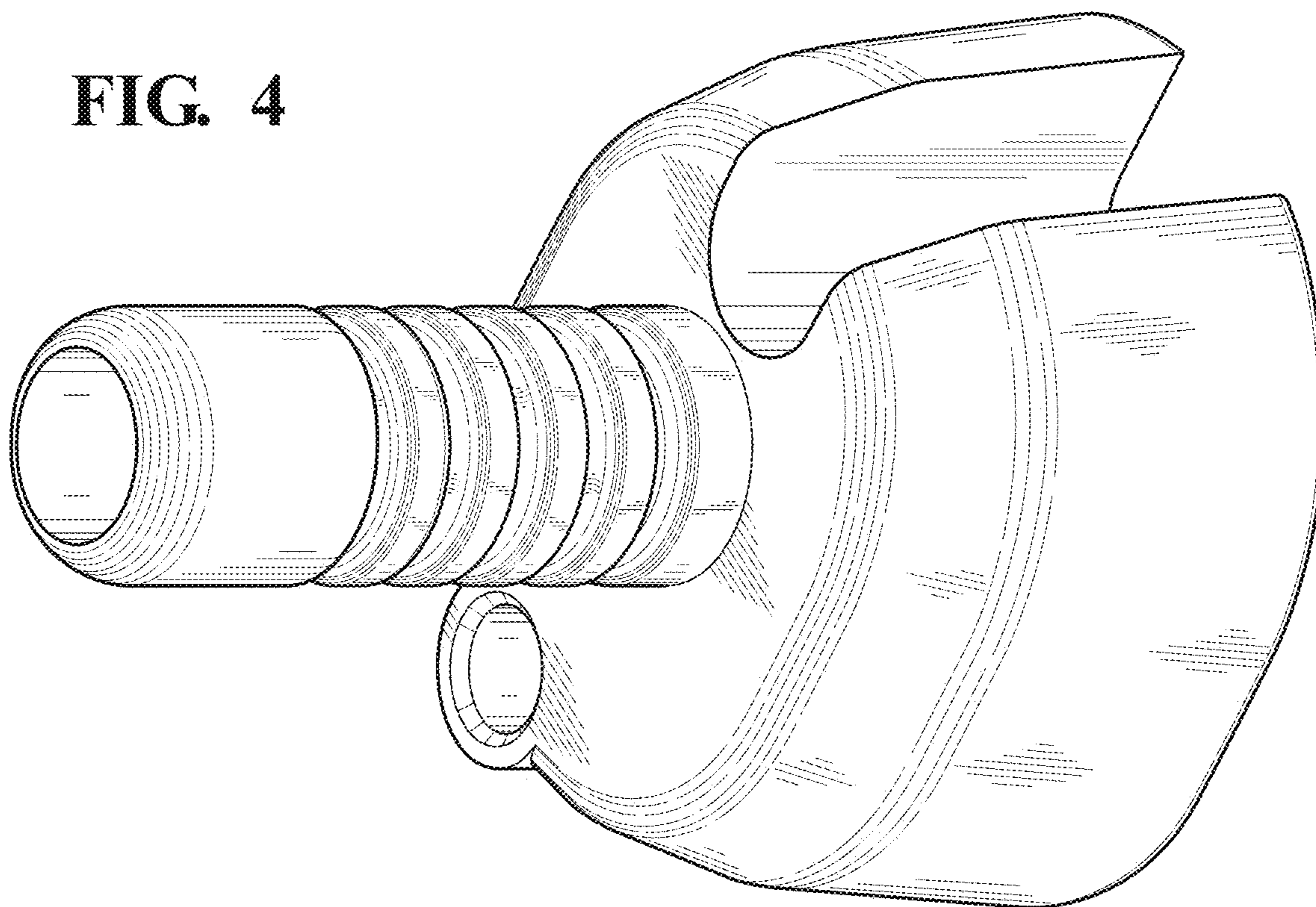


FIG. 5

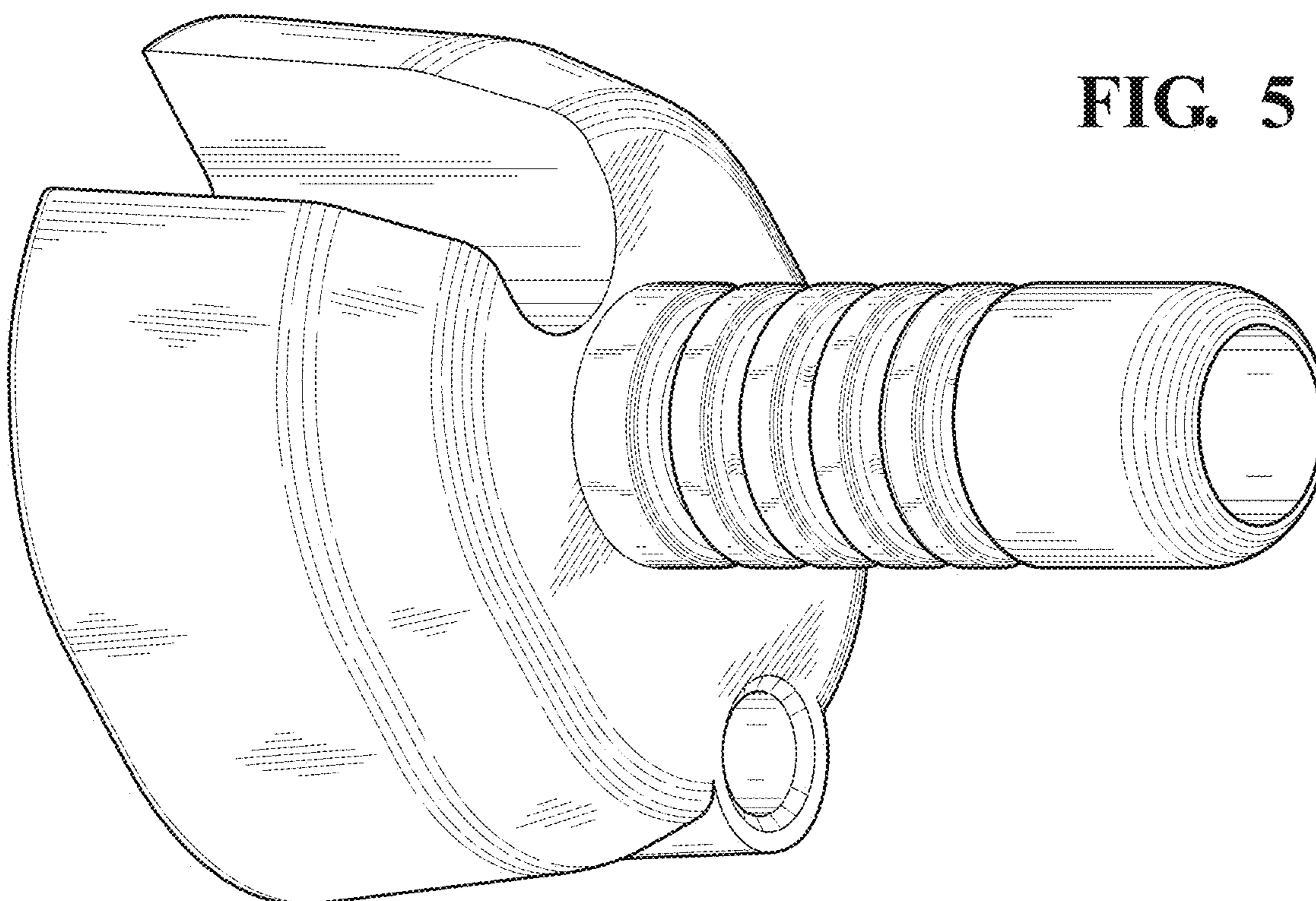


FIG. 6

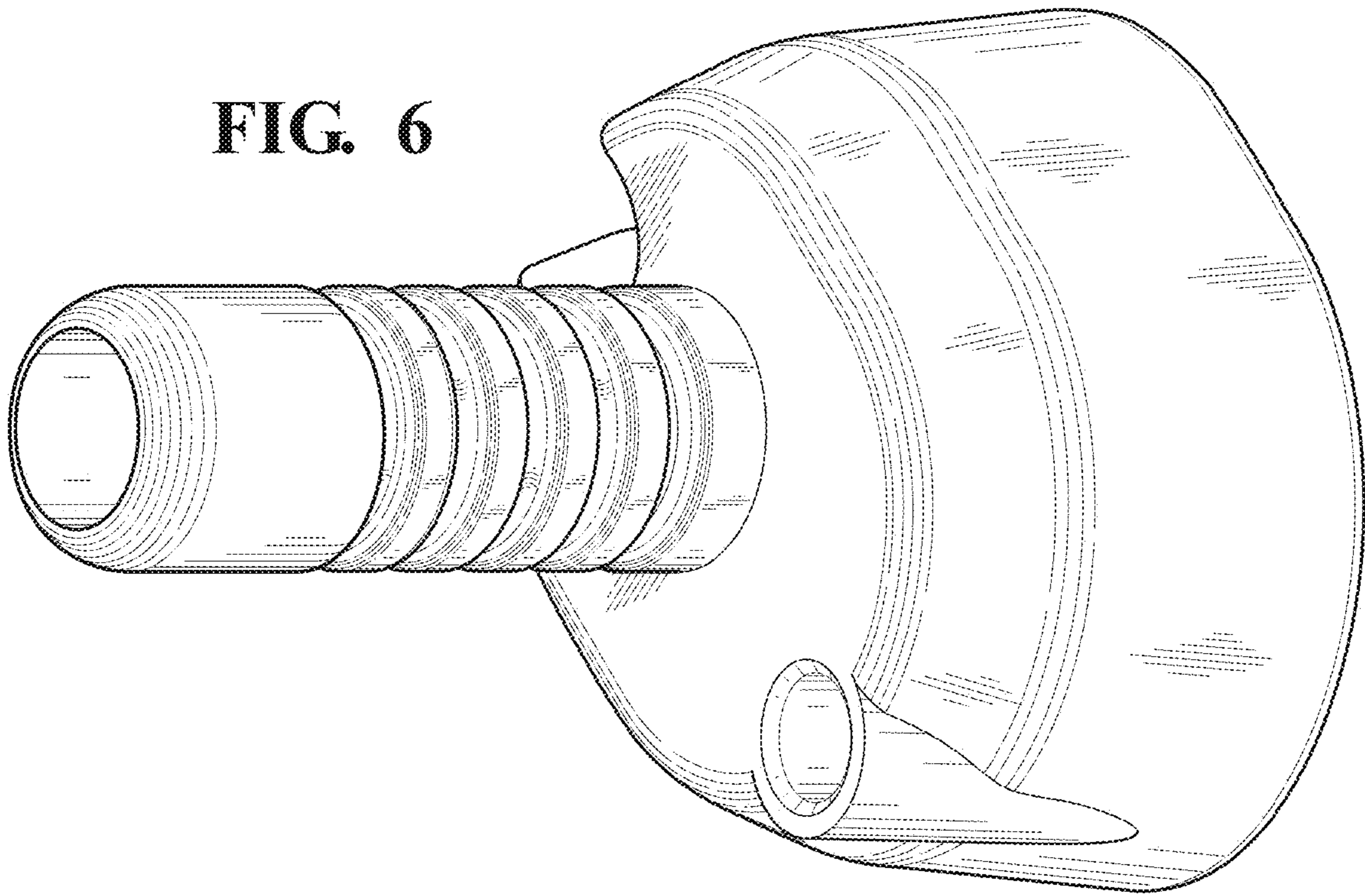
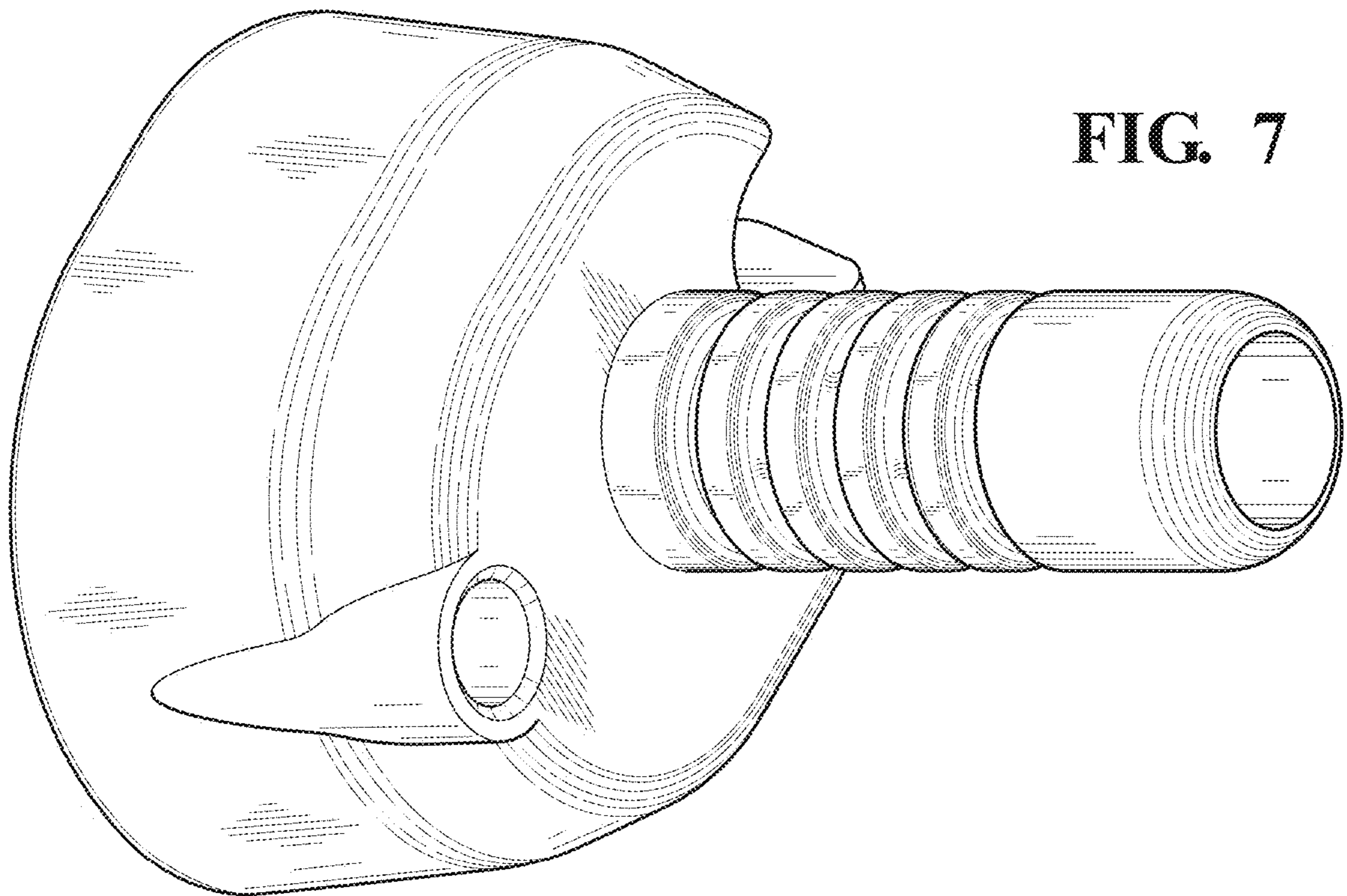


FIG. 7



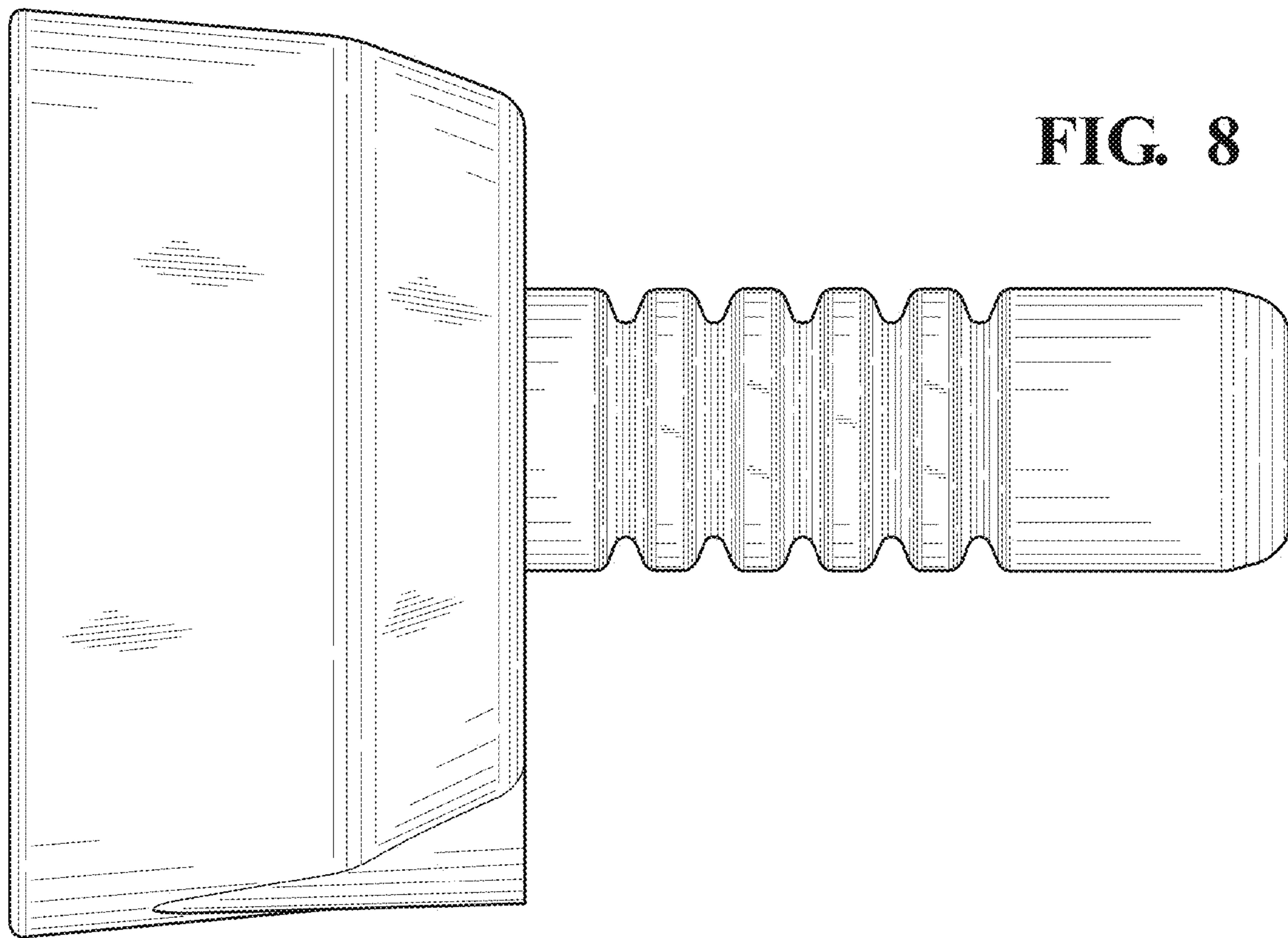


FIG. 8

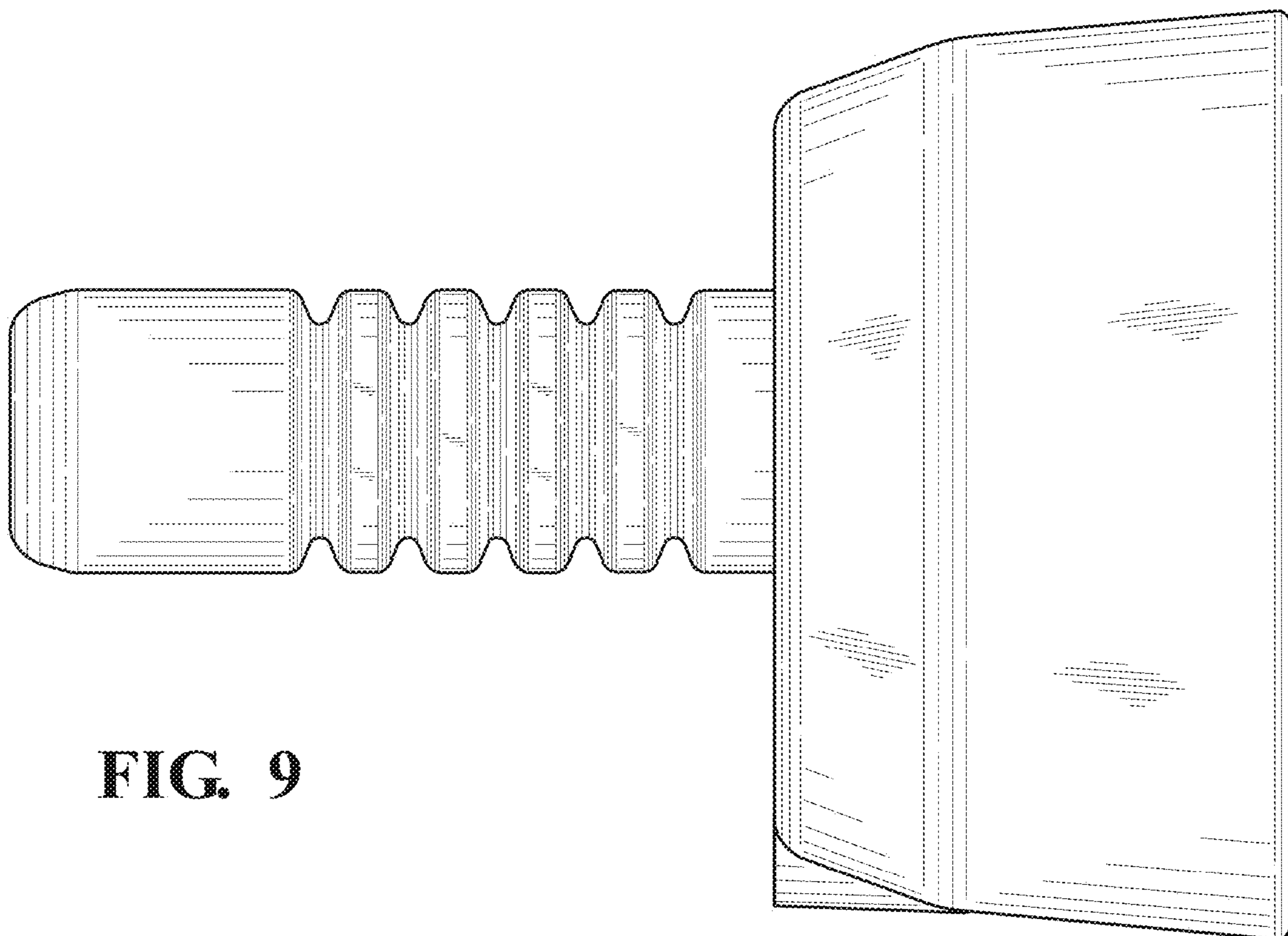


FIG. 9

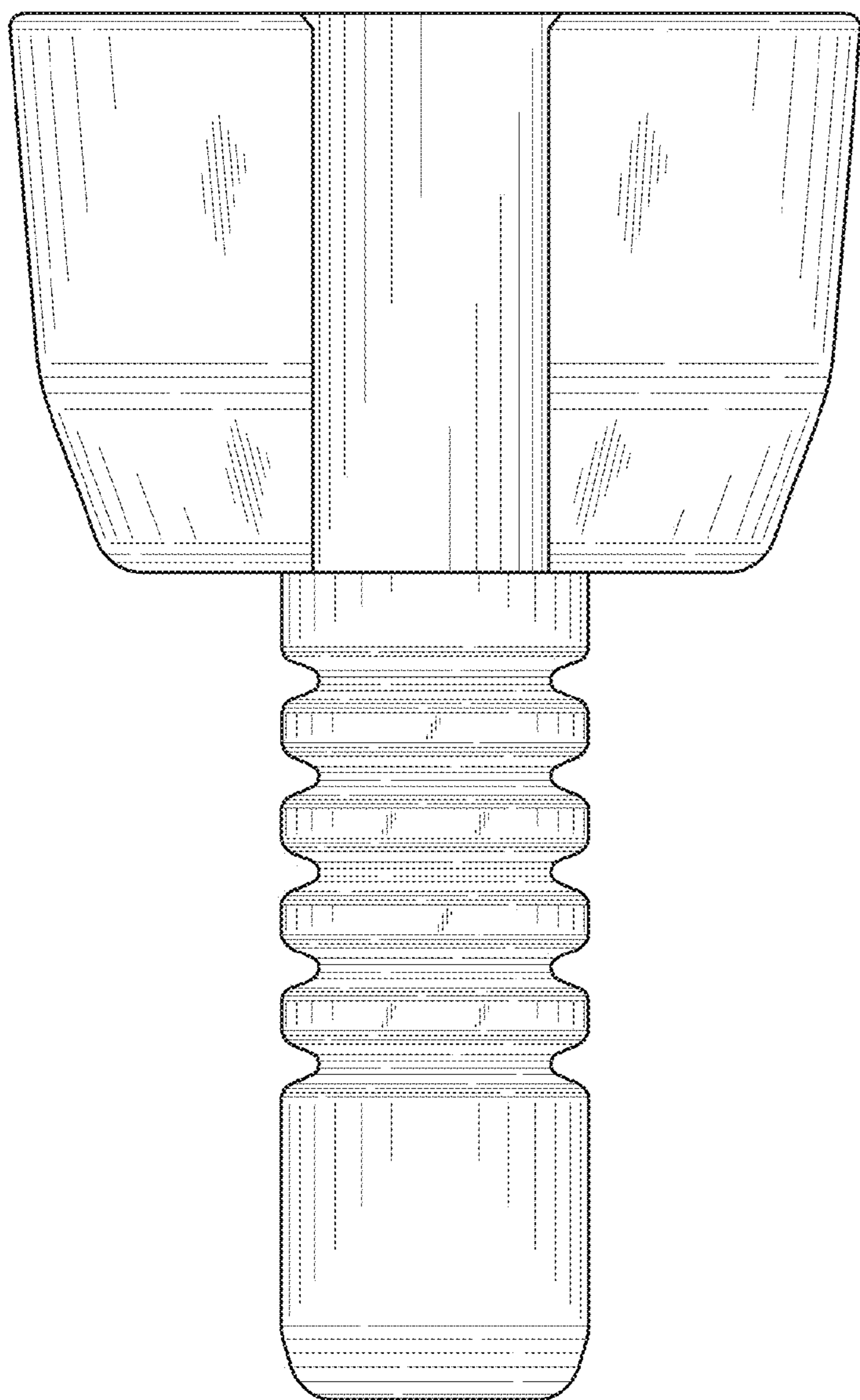
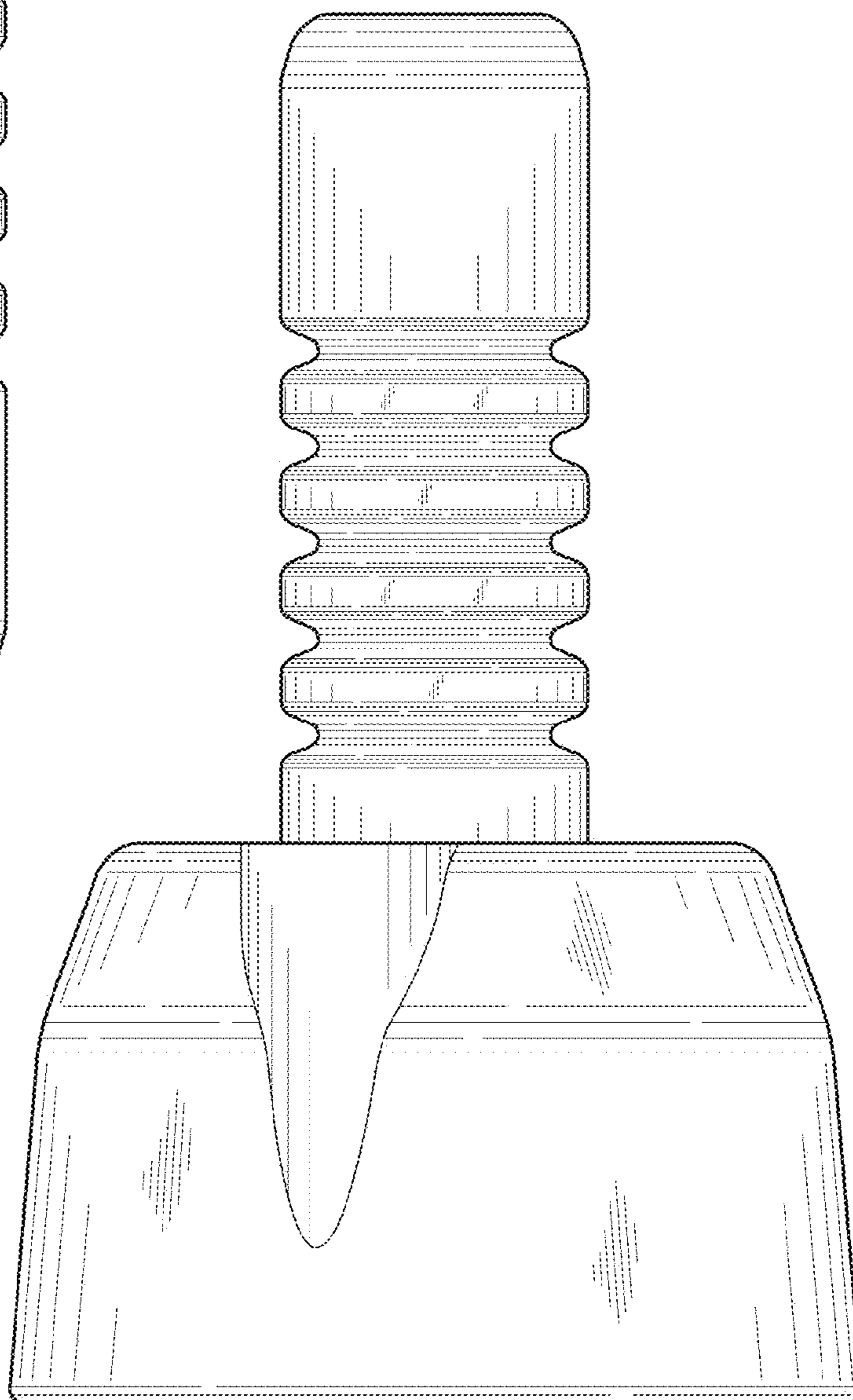


FIG. 10

FIG. 11



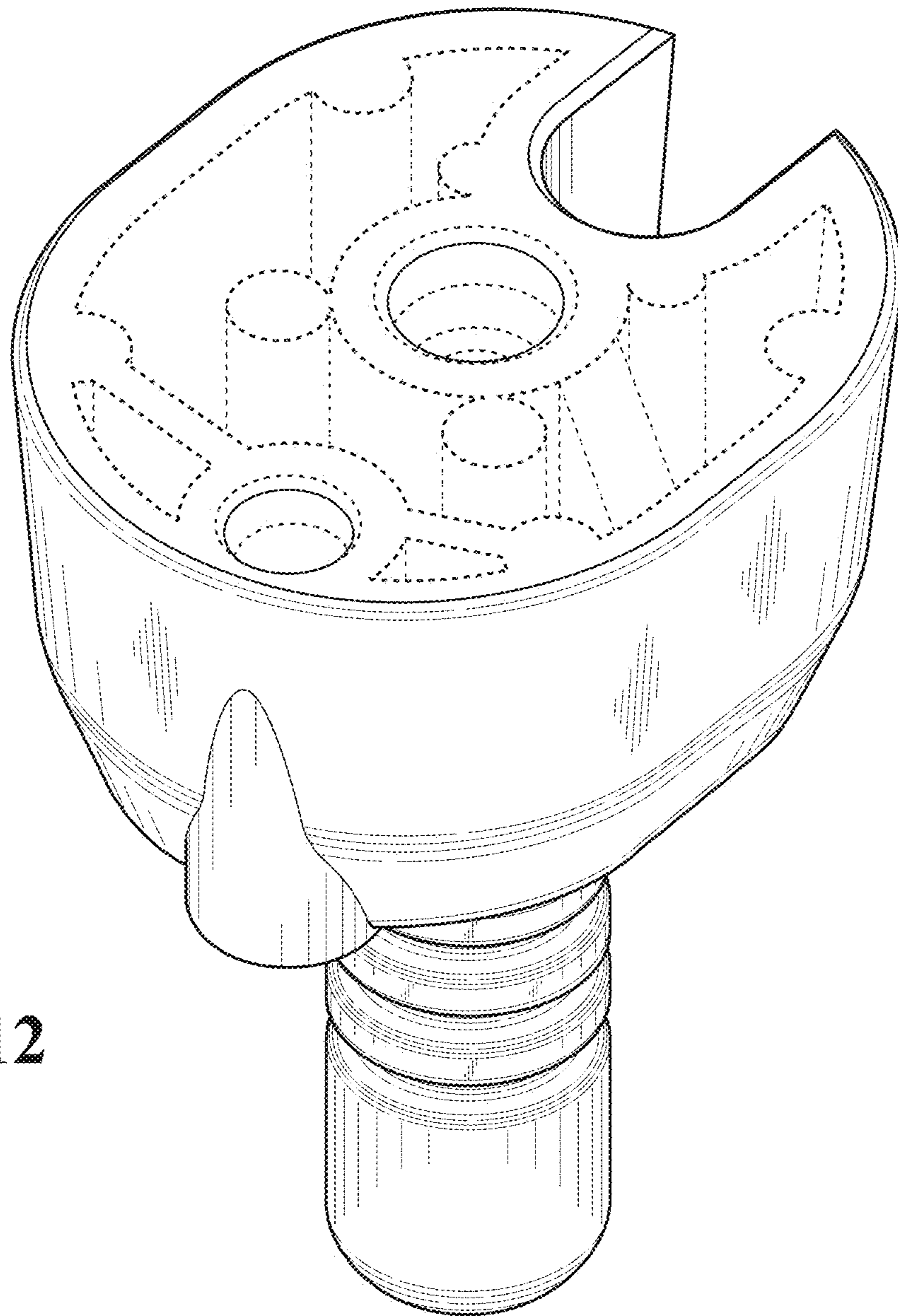


FIG. 12