



US00D879288S

(12) **United States Design Patent** (10) **Patent No.:** **US D879,288 S**  
**Kinoshita et al.** (45) **Date of Patent:** **\*\* Mar. 24, 2020**

(54) **STOPPER FOR A MEDICAL GUIDE SHEATH**

FOREIGN PATENT DOCUMENTS

(71) Applicant: **OLYMPUS CORPORATION**,  
Hachioji-shi, Tokyo (JP)

JP H11258522 A 9/1999  
JP 5019975 B2 9/2012  
WO 2017110450 A1 6/2017

(72) Inventors: **Hitoshi Kinoshita**, Hachioji (JP);  
**Atsushi Ban**, Tokyo (JP); **Hirotooshi**  
**Amano**, Kunitachi (JP); **Mitsunori**  
**Kubo**, Hachioji (JP); **Takayuki**  
**Kikuchi**, Inagi (JP); **Aya Mori**,  
Hachioji (JP); **Miho Naka**, Tokyo (JP);  
**Yoshino Nagasuka**, Hachioji (JP)

OTHER PUBLICATIONS

Olympus Medical Systems Corp, "Disposable Guide Sheath Kit",  
Oct. 13, 2017.

Olympus Europa Holding GmbH, "Guide Sheath System", Apr.  
2013.

*Primary Examiner* — David G Muller

(73) Assignee: **OLYMPUS CORPORATION**,  
Hachioji-shi, Tokyo (JP)

(74) *Attorney, Agent, or Firm* — Kenja IP Law PC

(\*\*) Term: **15 Years**

(57) **CLAIM**

The ornamental design for a stopper for a medical guide  
sheath, as shown and described.

(21) Appl. No.: **29/640,057**

**DESCRIPTION**

(22) Filed: **Mar. 12, 2018**

(51) **LOC (12) Cl.** ..... **24-02**

(52) **U.S. Cl.**  
USPC ..... **D24/129**

(58) **Field of Classification Search**  
USPC ..... D24/108, 111, 155, 127-131, 112-114,  
D24/133, 186; 606/181, 185; 604/264,  
604/523-528, 272, 187, 158,  
604/164.01-164.11, 181, 184, 227;  
600/101, 139, 143; 128/200.24, 207.14,  
128/207.15

CPC ..... A61M 25/00; A61M 39/00; A61M 27/00;  
A61M 25/0043; A61M 25/0067; A61M  
25/0097; A61F 2/958

See application file for complete search history.

FIG. 1 is a front perspective view of an embodiment of a  
stopper for a medical guide sheath showing our new design;  
FIG. 2 is a rear perspective view thereof;  
FIG. 3 is a front view thereof;  
FIG. 4 is a top view thereof;  
FIG. 5 is a rear view thereof;  
FIG. 6 is a bottom thereof;  
FIG. 7 is a cross-sectional view taken along line 7-7 in FIG.  
3;  
FIG. 8 is a front perspective view of another embodiment of  
a stopper for a medical guide sheath showing our new  
design;  
FIG. 9 is a rear perspective view thereof;  
FIG. 10 is a front view thereof;  
FIG. 11 is a rear view thereof;  
FIG. 12 is a bottom view thereof; and,  
FIG. 13 is a cross-sectional view taken along line 13 in FIG.  
10.

The broken lines shown in the drawings are illustrative  
purpose only and form no part of the claimed design.

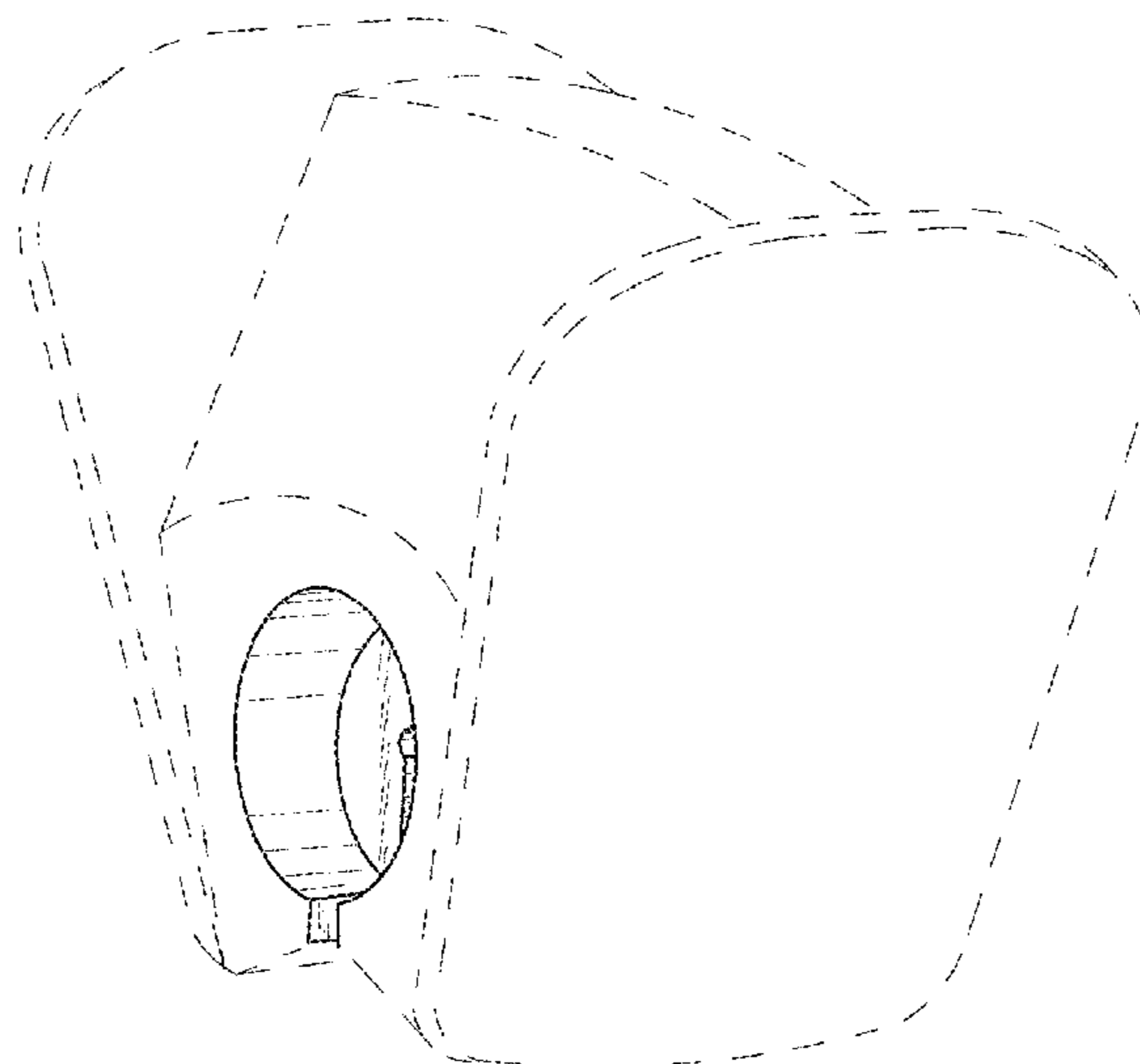
(56) **References Cited**

U.S. PATENT DOCUMENTS

D487,148 S \* 2/2004 Ellingboe ..... D24/129  
D492,773 S \* 7/2004 Ellingboe ..... D24/129

(Continued)

**1 Claim, 13 Drawing Sheets**



(56)

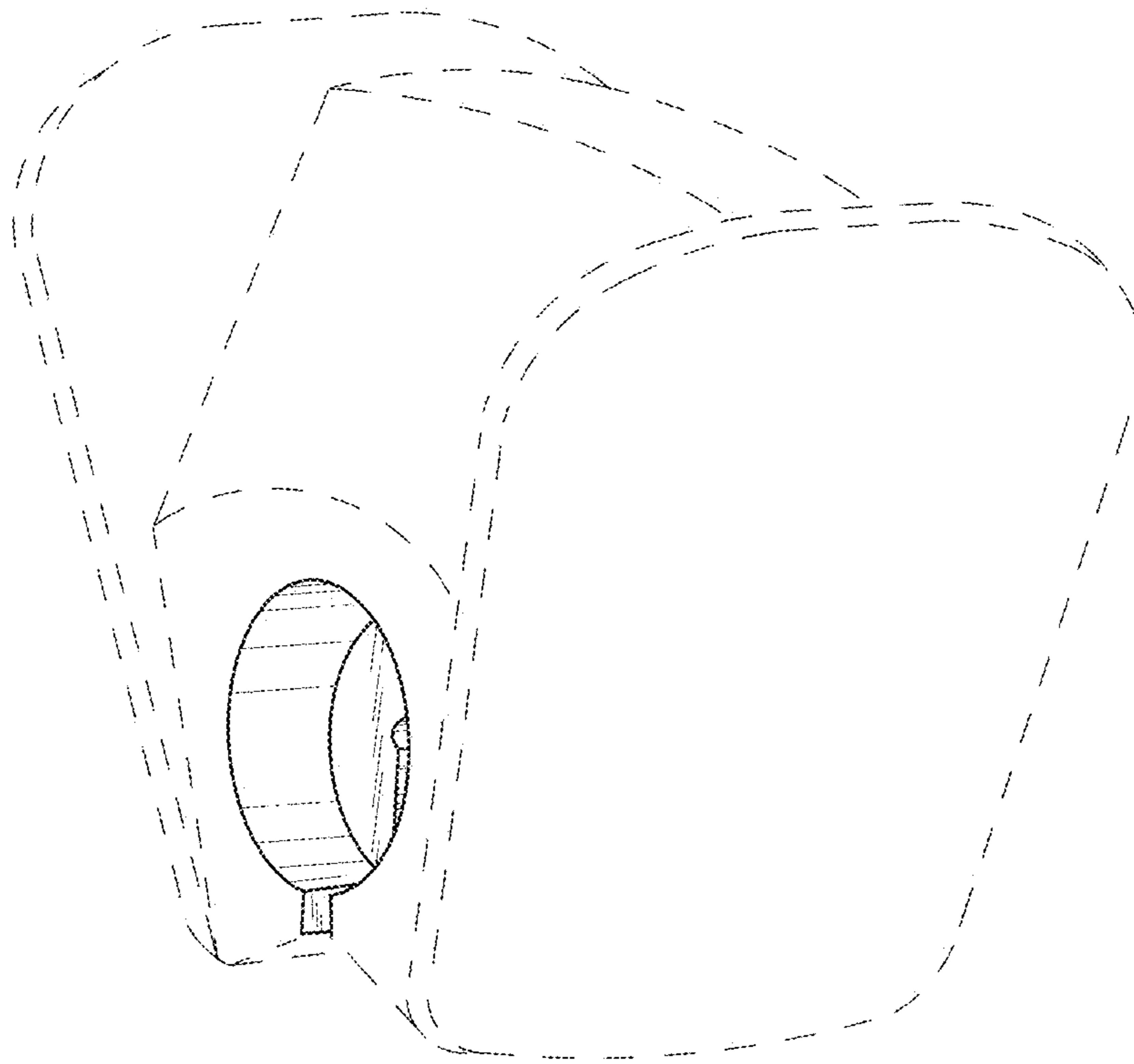
**References Cited**

U.S. PATENT DOCUMENTS

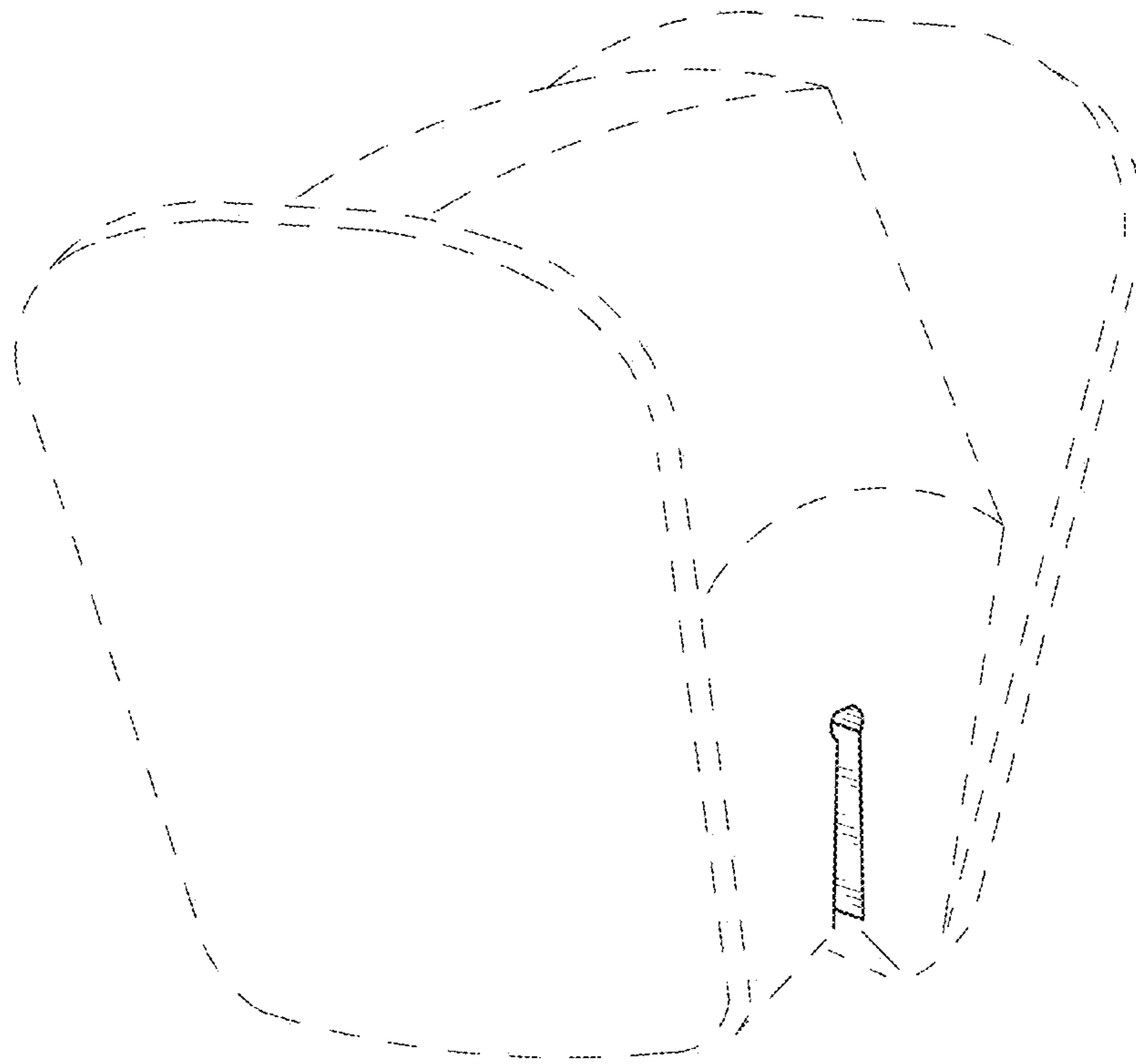
D673,674 S \* 1/2013 Ho ..... D24/129  
D709,612 S \* 7/2014 Lewis ..... D24/129  
8,790,327 B2 \* 7/2014 Takemoto ..... A61J 1/10  
604/403  
D717,945 S \* 11/2014 Neff ..... D24/110.1  
D732,664 S \* 6/2015 Woehr ..... D24/130  
D750,258 S \* 2/2016 Crossley ..... D24/129  
D799,032 S \* 10/2017 Becker ..... D24/129  
9,907,944 B2 \* 3/2018 Liebe ..... A61M 39/00  
D825,746 S \* 8/2018 Davis ..... D24/129  
D830,523 S \* 10/2018 Vranish ..... D23/262  
D836,191 S \* 12/2018 Kheradpir ..... D24/112

\* cited by examiner

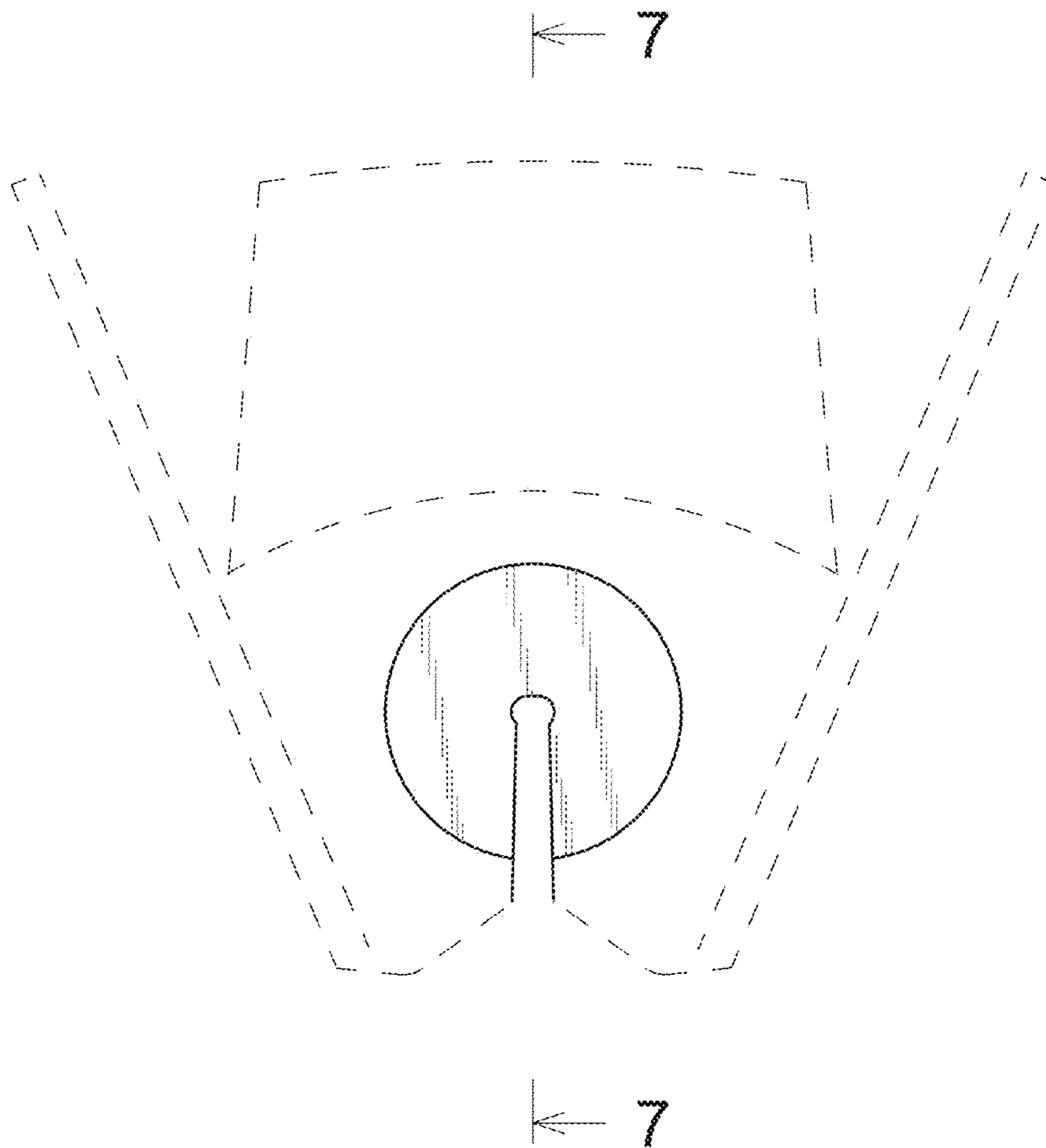
*FIG. 1*



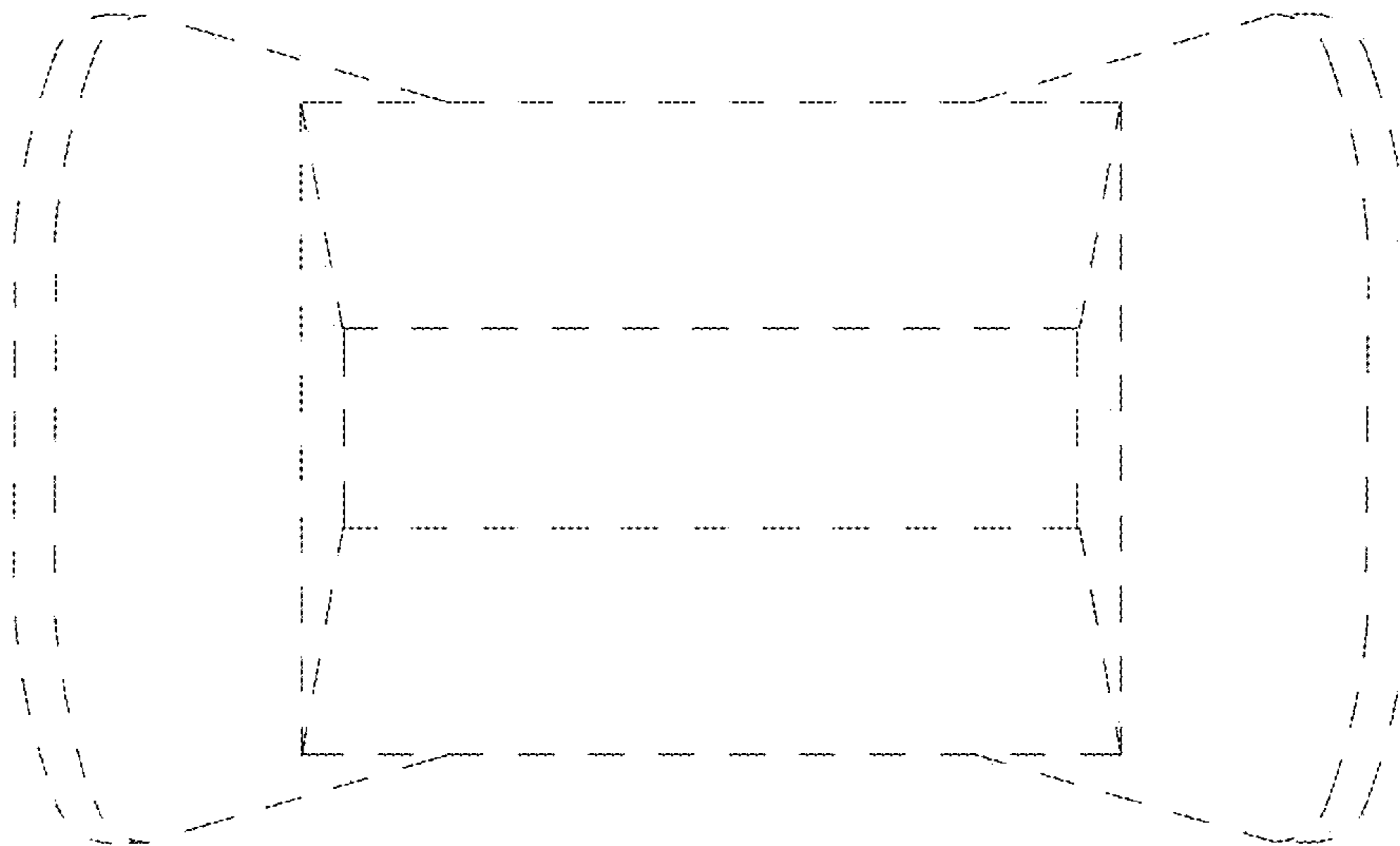
*FIG. 2*



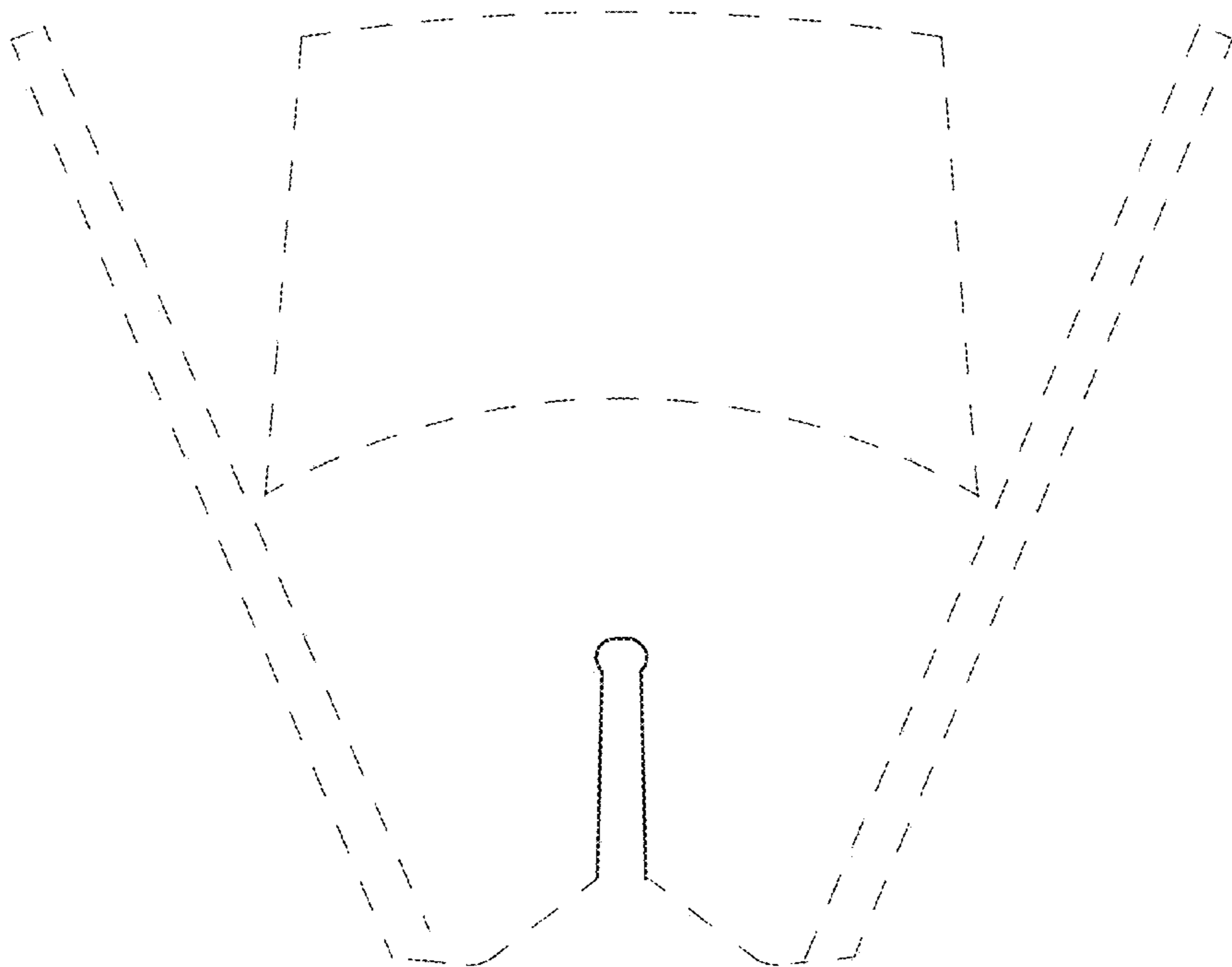
*FIG. 3*



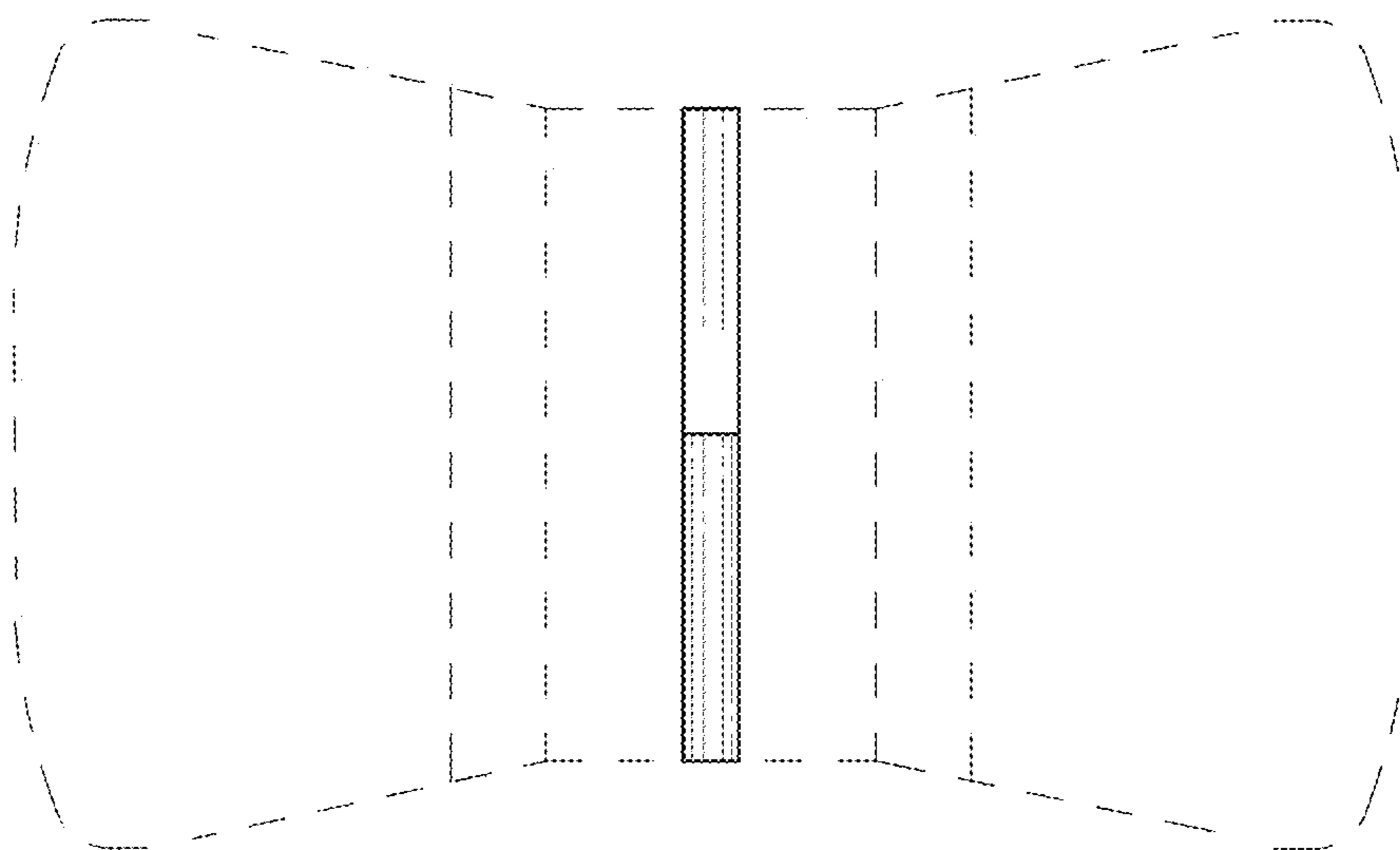
*FIG. 4*



*FIG. 5*

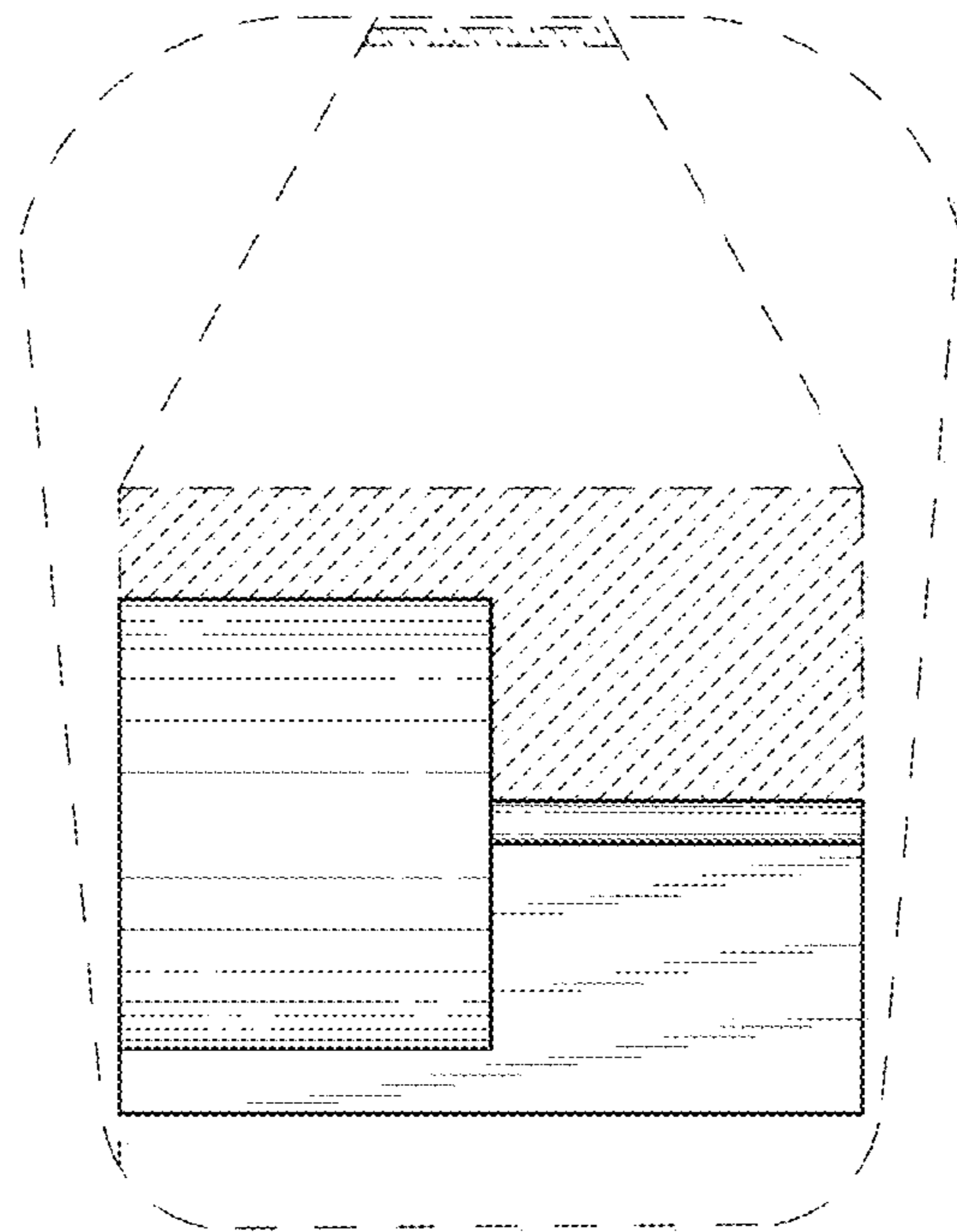


*FIG. 6*

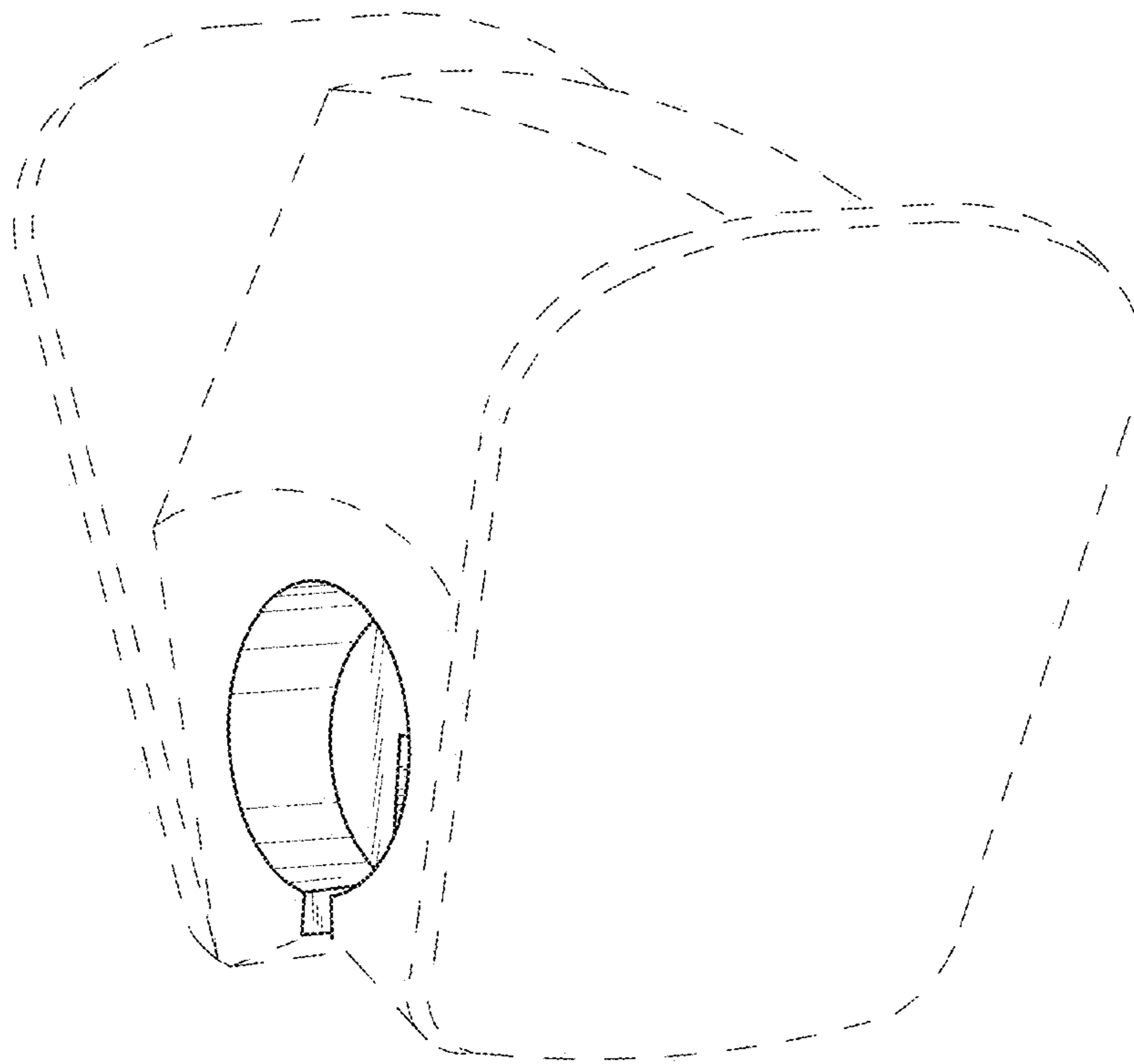




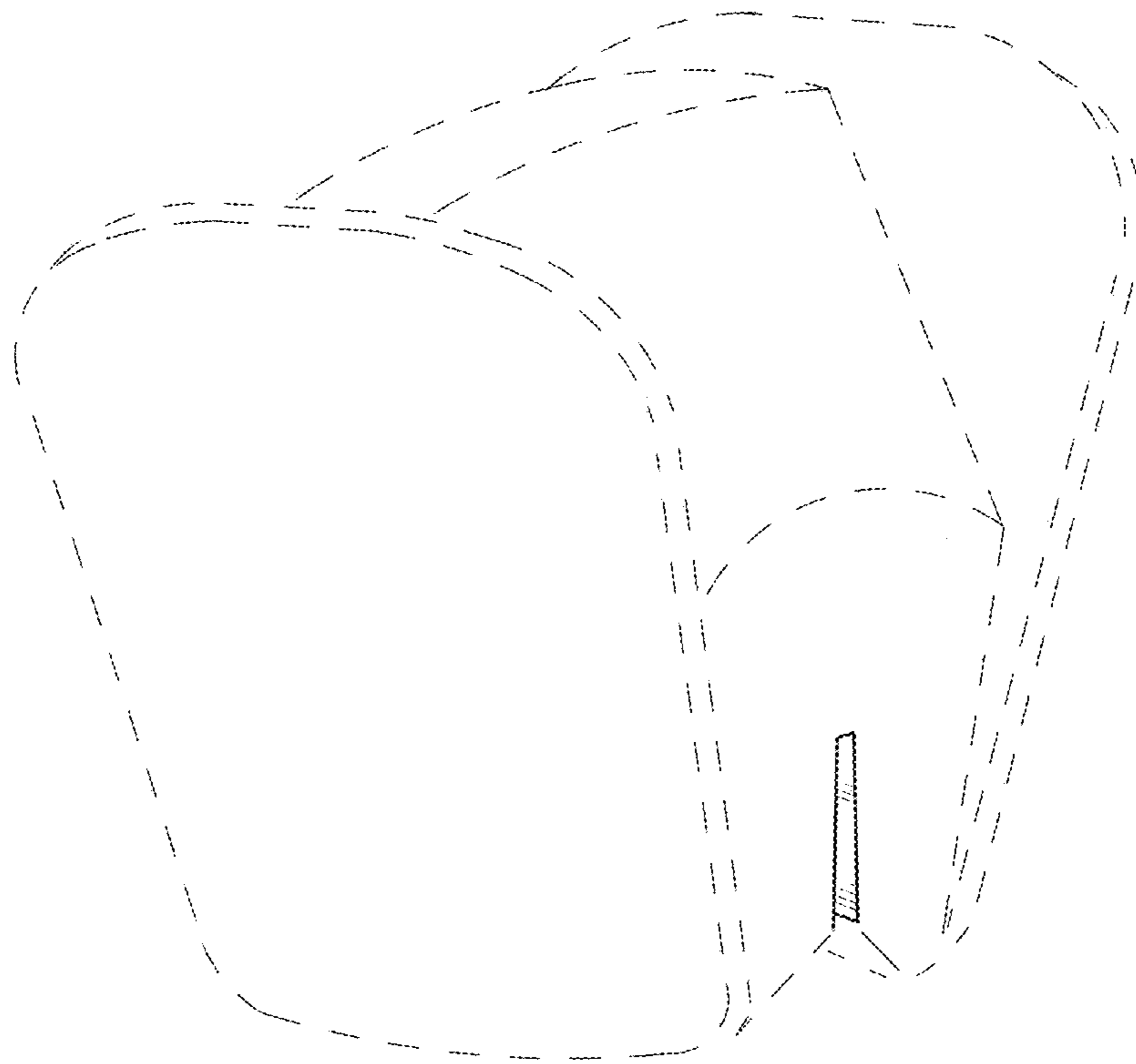
*FIG. 7*



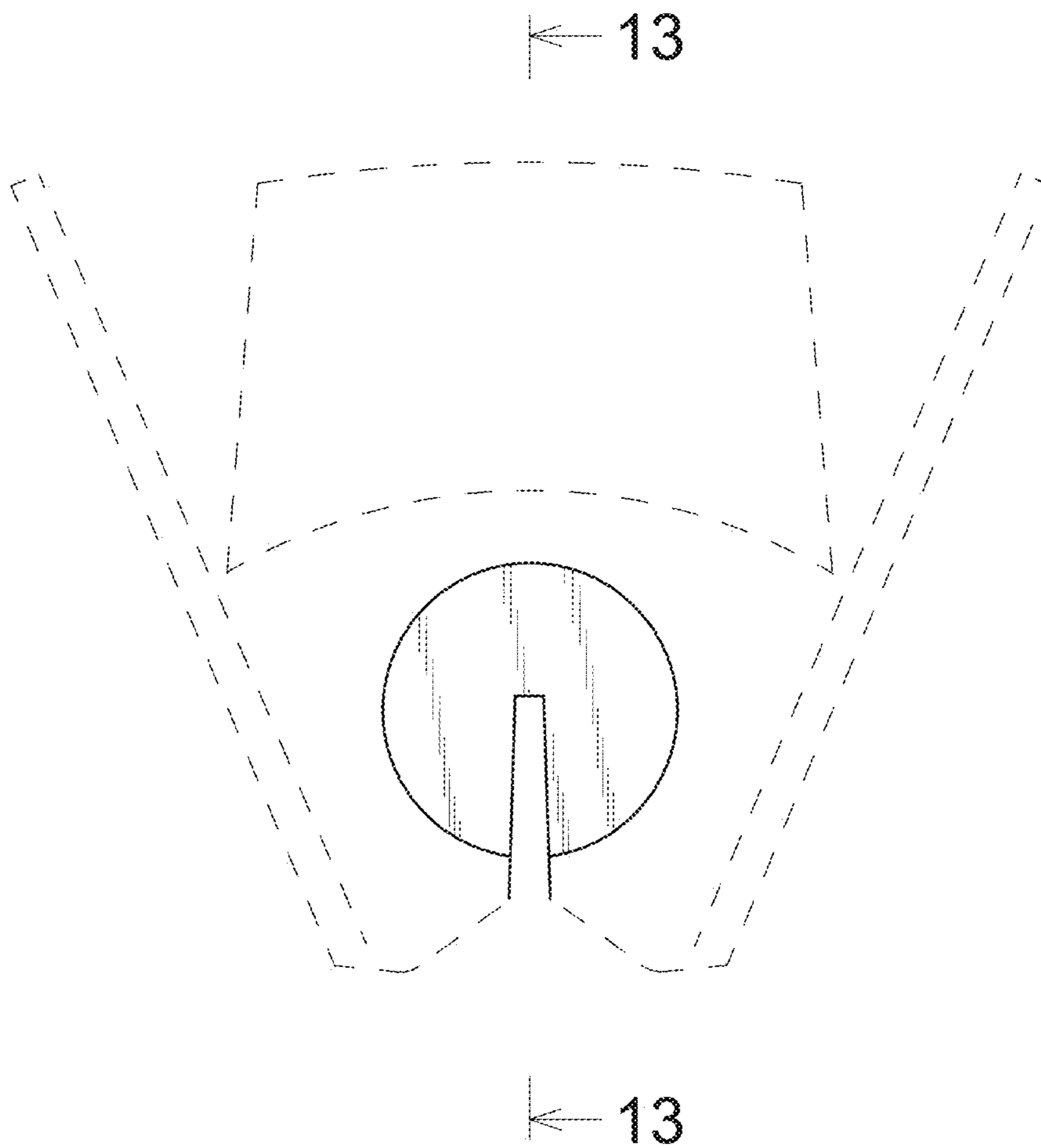
*FIG. 8*



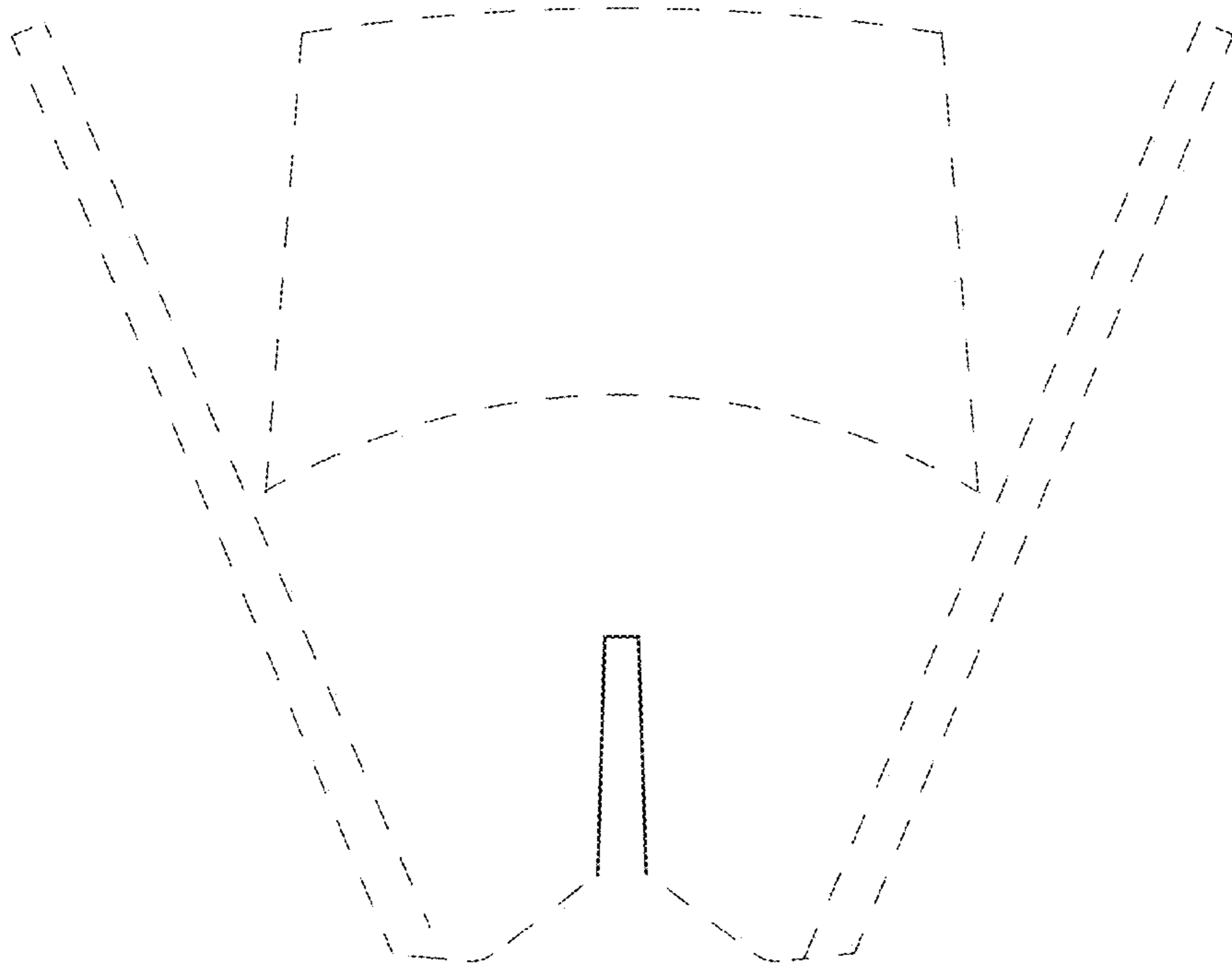
*FIG. 9*



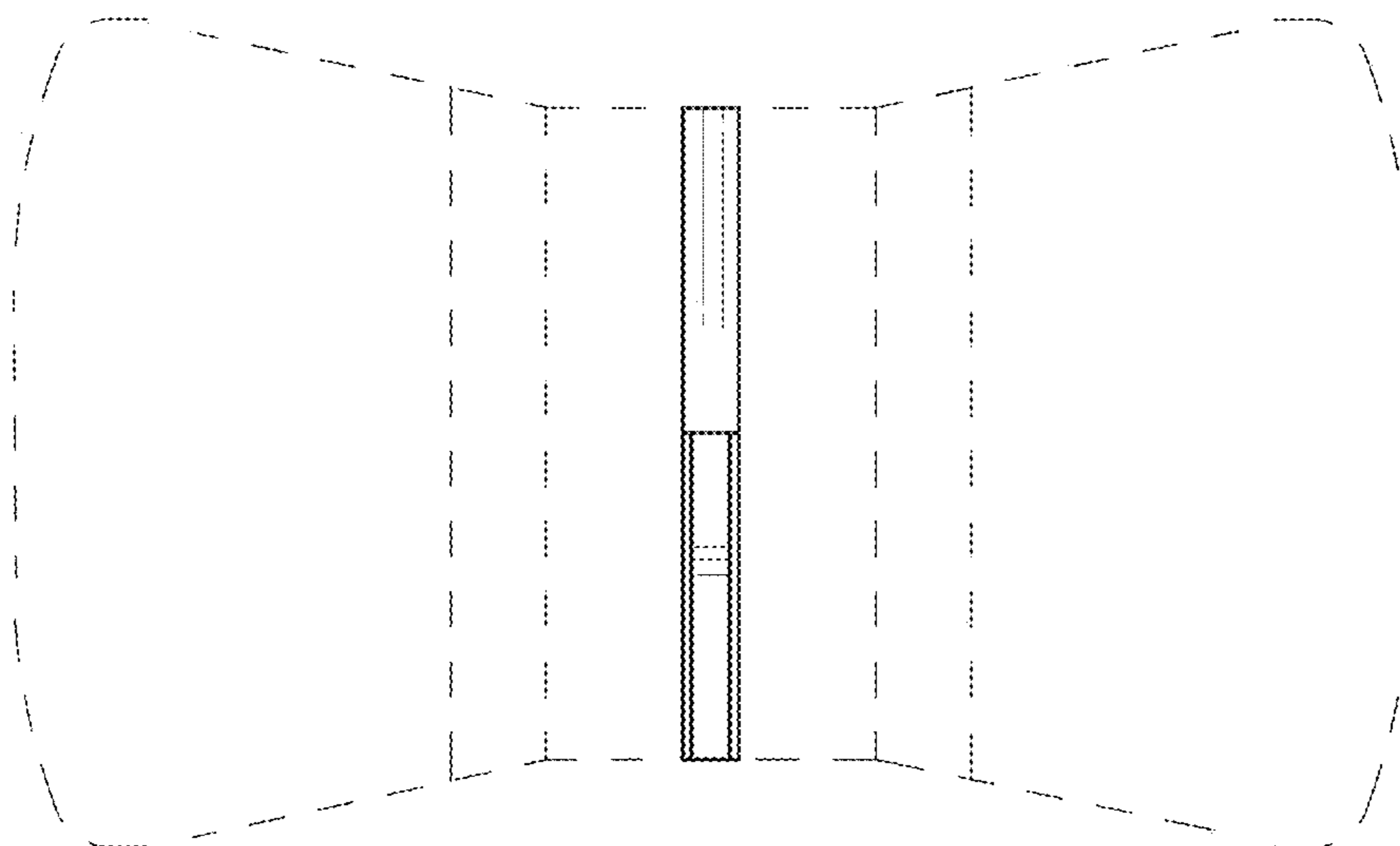
*FIG. 10*



*FIG. 11*



*FIG. 12*



*FIG. 13*

