



US00D879286S

(12) **United States Design Patent**  
**Urano**

(10) **Patent No.:** **US D879,286 S**  
(45) **Date of Patent:** **\*\* Mar. 24, 2020**

- (54) **AIR-CONDITIONING OUTLET**
- (71) Applicant: **KIMURA KOHKI CO., LTD.**,  
Osaka-shi, Osaka (JP)
- (72) Inventor: **Katsuhiko Urano**, Sakai (JP)
- (73) Assignee: **KIMURA KOHKI CO., LTD.**,  
Osaka-Shi, Osaka (JP)

- (\*\*) Term: **15 Years**
- (21) Appl. No.: **29/662,278**
- (22) Filed: **Sep. 4, 2018**

(30) **Foreign Application Priority Data**

Mar. 5, 2018 (JP) ..... 2018-004472

- (51) **LOC (12) Cl.** ..... **23-03**
- (52) **U.S. Cl.**  
USPC ..... **D23/388**

- (58) **Field of Classification Search**  
USPC ..... D23/386, 388, 390, 393, 398, 403  
CPC .. F23M 7/04; F24F 12/00; F24F 13/00; F24F  
13/0227; F24F 13/0236  
See application file for complete search history.

(56) **References Cited**

**U.S. PATENT DOCUMENTS**

- 8,342,233 B2 \* 1/2013 Kjellerstedt ..... F24F 1/0059  
165/47
- D714,927 S \* 10/2014 Urano ..... D23/388
- D714,928 S \* 10/2014 Urano ..... D23/388
- D805,177 S \* 12/2017 Urano ..... D23/388
- D805,178 S \* 12/2017 Urano ..... D23/388

- D805,179 S \* 12/2017 Urano ..... D23/388
- D805,180 S \* 12/2017 Urano ..... D23/388
- D806,854 S \* 1/2018 Urano ..... D23/388
- D807,495 S \* 1/2018 Hirsch ..... D23/393
- D814,623 S \* 4/2018 Urano ..... D23/387
- D825,049 S \* 8/2018 Miskel ..... D23/388
- 10,240,808 B2 \* 3/2019 Kimura ..... F24F 3/1603
- D850,610 S \* 6/2019 Drummond ..... D23/393

\* cited by examiner

*Primary Examiner* — Karen S Acker

*Assistant Examiner* — Steven B Reinholdt, Jr.

(74) *Attorney, Agent, or Firm* — Alleman Hall Creasman  
& Tuttle LLP

(57) **CLAIM**

The ornamental design for an air-conditioning outlet, as shown and described.

**DESCRIPTION**

FIG. 1 is a front view of an ornamental design for an air-conditioning outlet showing my new design, wherein the rear view is a mirror image of the front view and thus is omitted.

FIG. 2 is a left side view of the air-conditioning outlet of FIG. 1.

FIG. 3 is a right side view of the air-conditioning outlet of FIG. 1.

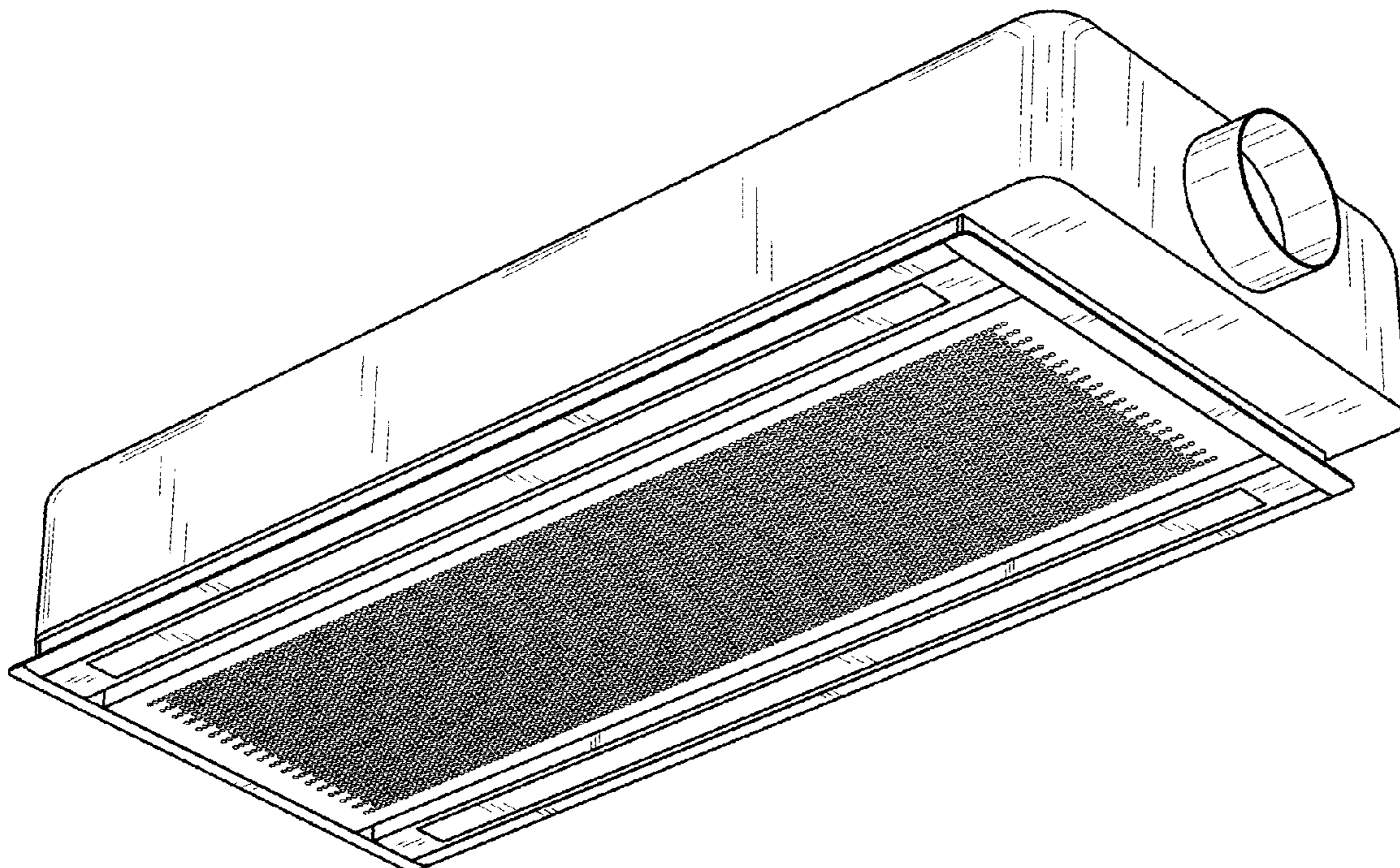
FIG. 4 is a top view of the air-conditioning outlet of FIG. 1.

FIG. 5 is a bottom view of the air-conditioning outlet of FIG. 1; and,

FIG. 6 is a perspective view of the air-conditioning outlet of FIG. 1.

My design is intended for use as an air-conditioning outlet on an interior ceiling of a room.

**1 Claim, 3 Drawing Sheets**



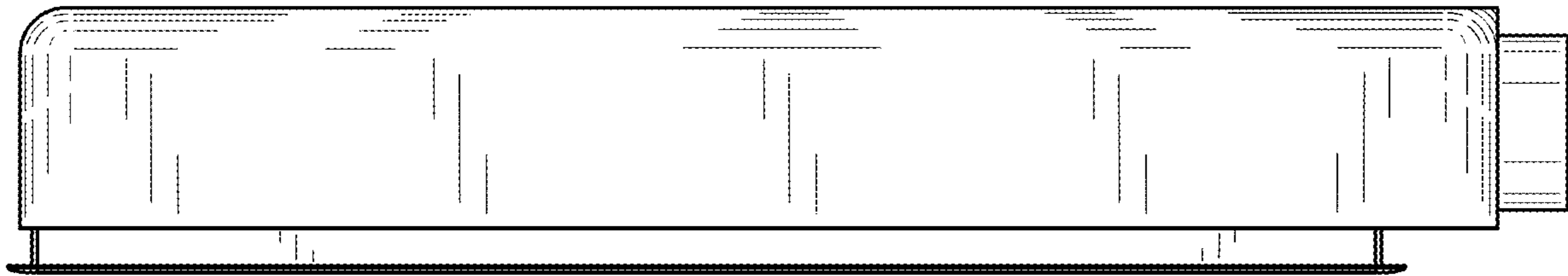


FIG. 1

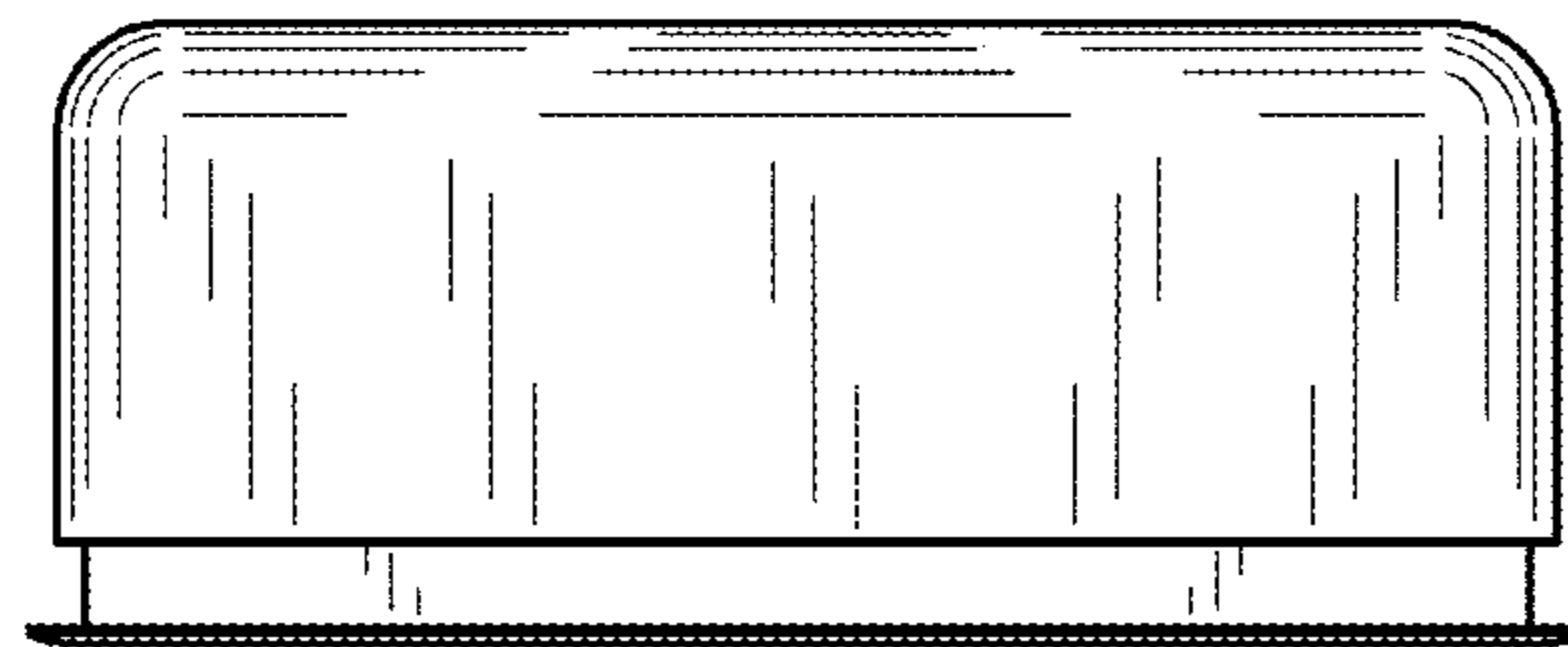


FIG. 2

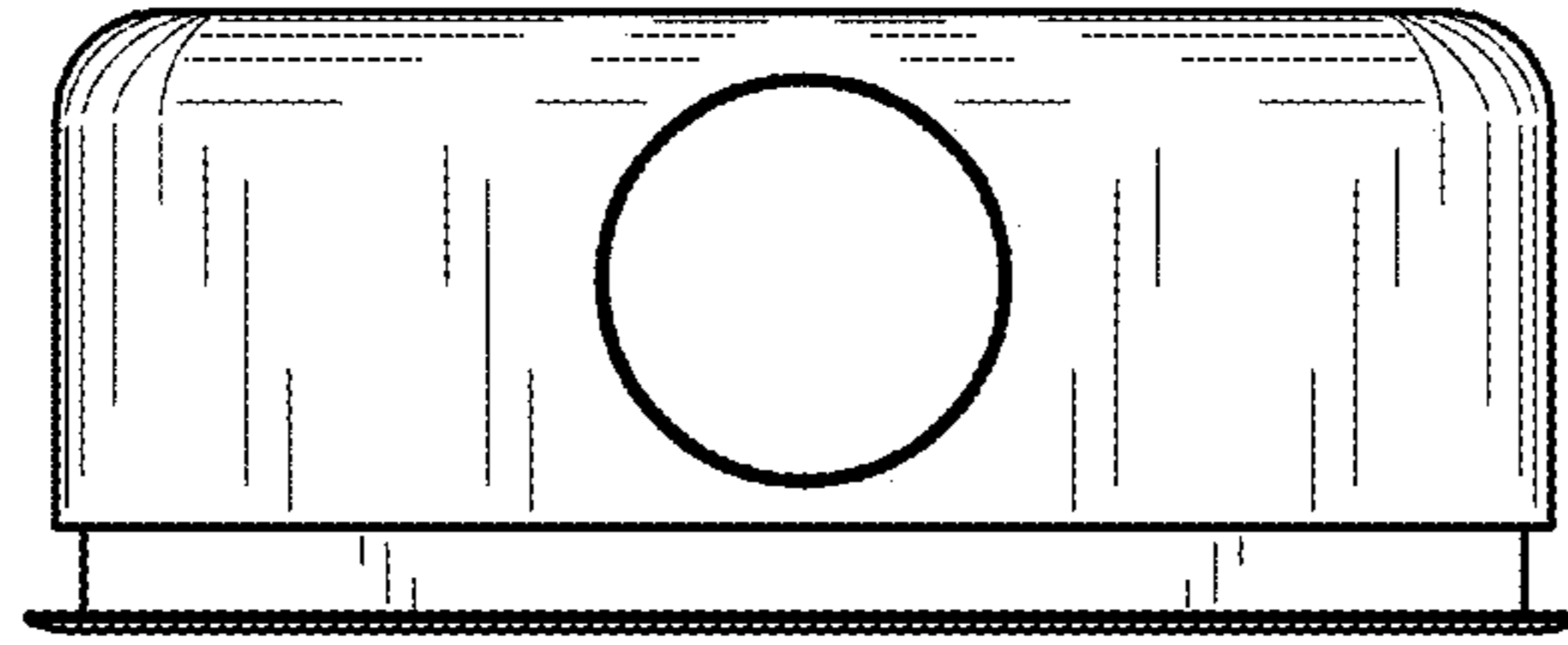


FIG. 3

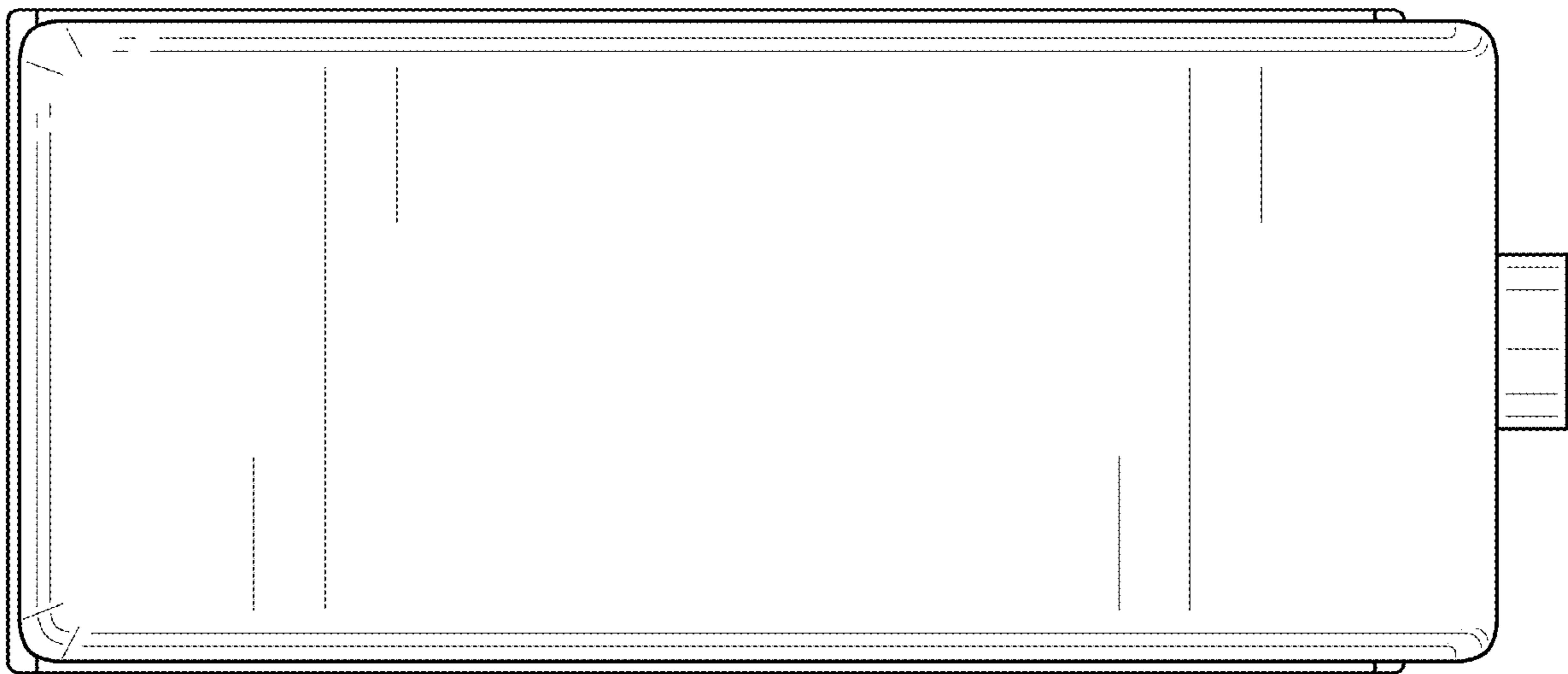


FIG. 4



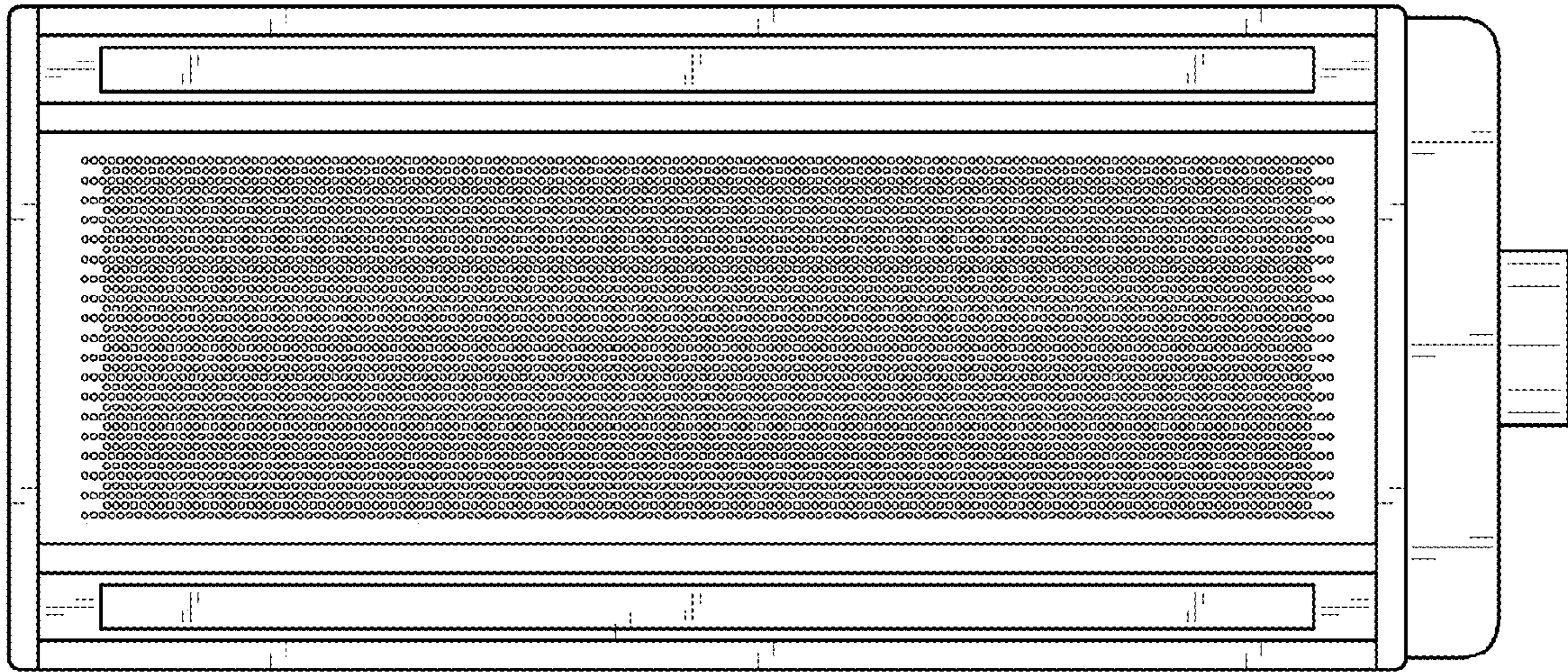


FIG. 5

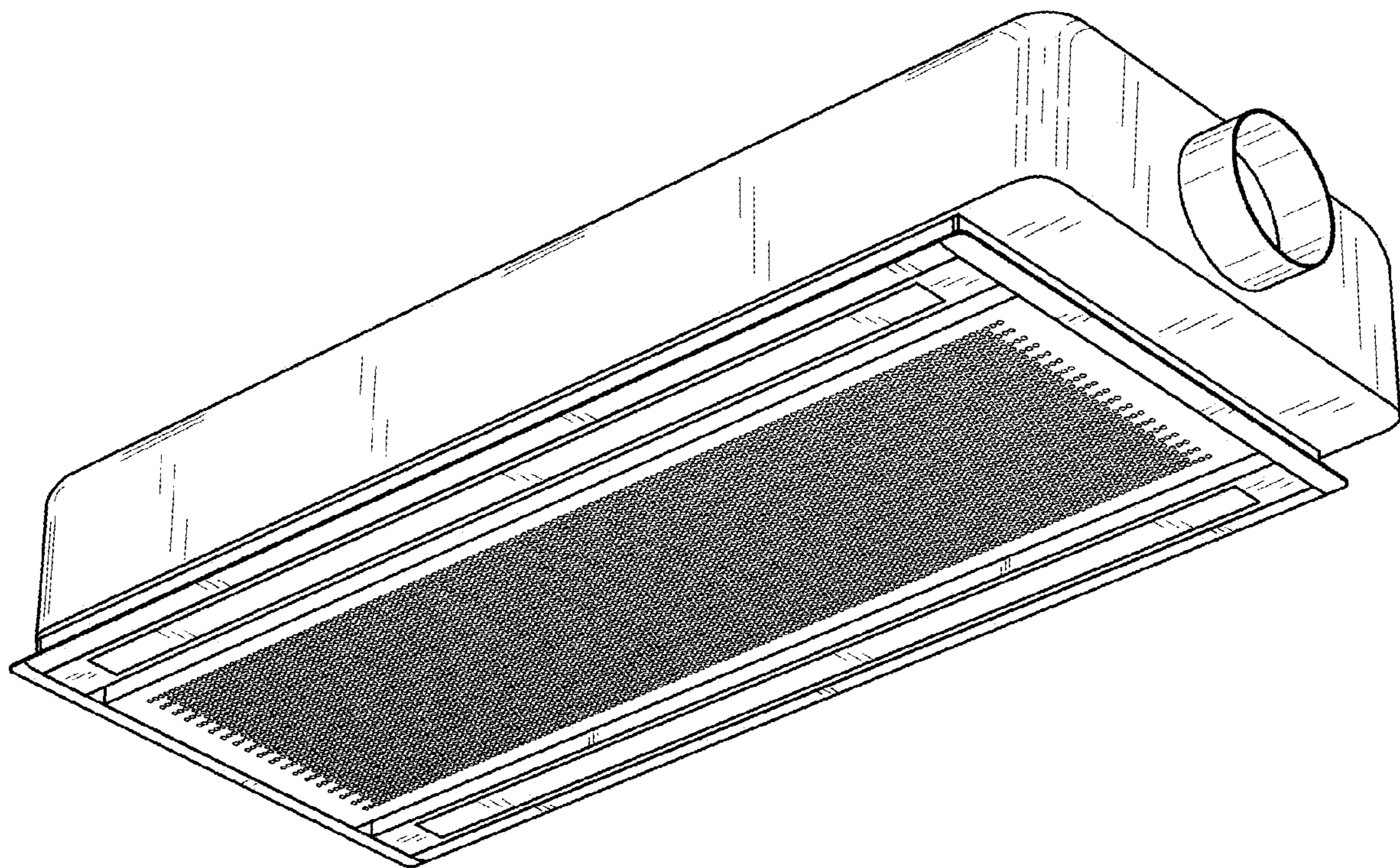


FIG. 6